



Refrigerator
Réfrigérateur
Hűtőszekrény

RSSA290M23W

GB Index

Safety first /1
Electrical requirements /2
Transportation instructions /2
Installation instructions /2
Getting to know your appliance /3
Suggested arrangement of food in the larder fridge /3
Temperature control and adjustment /4
Before operating /4
Defrosting; Replacing the interior light bulb /5
Repositioning the door; Cleaning and care /5
Do's and don'ts /6
Information about operating noises /7
Troubleshooting /7

FR Sommaire

Premièrement la sécurité /8
Avertissements et conseils importants /9
Installation /9
Présentation de l'appareil /10
Réversibilité de la porte /10
Mise en fonctionnement /10
Réglage de la température /10
Suggestions concernant le placement des denrées /11
Changement de la lampe /11
Dégivrage /11
Nettoyage /11
Remarques sur les bruits de fonctionnement /12

HU Tartalomjegyzék

Első a biztonság /13
Elektromos követelmények /14
Szállítási utasítások /14
Beüzemelési utasítások /14
Ismerje meg készülékét /15
A hűtőszekrényben lévő étel javasolt elrendezése /15
Hőmérséklet szabályozás és -beállítás /16
Működtetés előtt /16
Kiolvasztás /17
Belső villanykörte cseréje /17
Ajtó áthelyezése /17
Tisztítás és ápolás /17
Kötelező és tilos dolgok /18
Információ az üzemeltetési zajokról /19
Problémakeresés /19

WARNING!

In order to ensure a normal operation of your refrigerating appliance, which uses a completely environmentally friendly refrigerant the R 600a (flammable only under certain conditions) you must observe the following rules:

- ◆ Do not hinder the free circulation of the air around the appliance.
- ◆ Do not use mechanic devices in order to accelerate the defrosting, others than the ones recommended by the manufacturer.
- ◆ Do not destroy the refrigerating circuit.
- ◆ Do not use electric appliances inside the food keeping compartment, other than those that might have been recommended by the manufacturer.

AVERTISSEMENT !

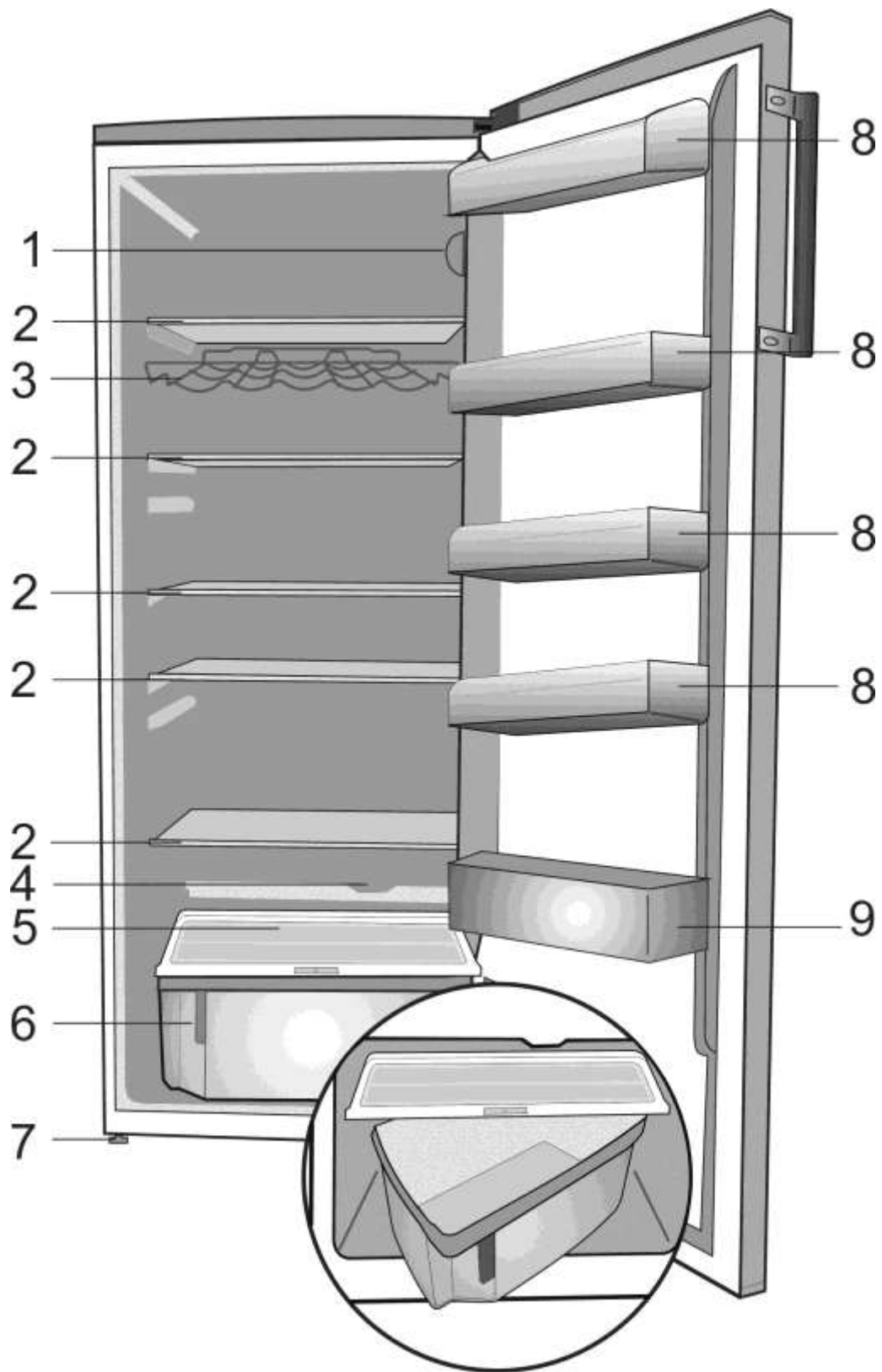
Afin de s'assurer du fonctionnement normal de votre réfrigérateur, contenant le réfrigérant R 600a qui contribue à la protection de l'environnement (inflammable dans certaines conditions seulement), il convient de respecter les règles suivantes :

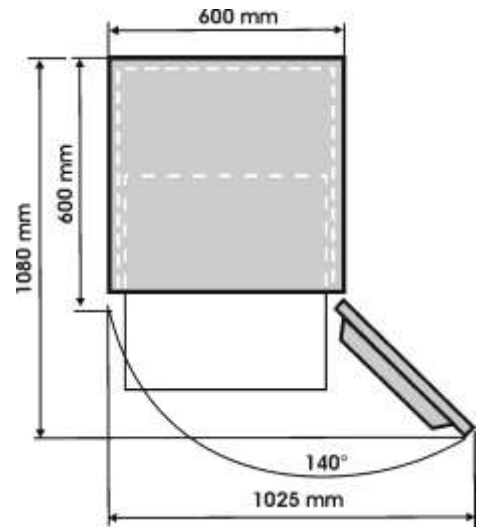
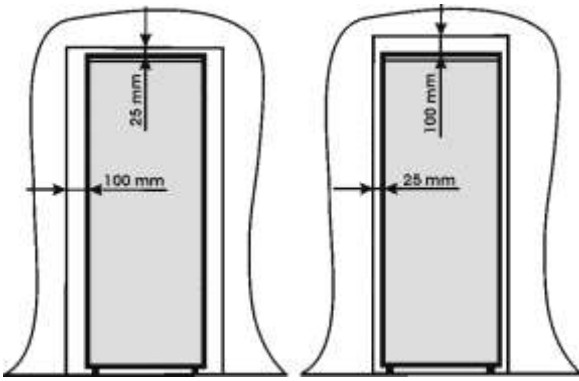
- ◆ Ne pas empêcher la circulation d'air autour de l'appareil.
- ◆ Ne pas utiliser d'outils mécaniques ou autres dispositifs pour accélérer le processus de décongélation autres que ceux qui sont recommandés par le fabricant.
- ◆ Ne pas abîmer le circuit réfrigérant.
- ◆ Ne pas utiliser d'appareils électriques à l'intérieur des compartiments de conservation de denrées, à moins qu'ils soient conformes au type d'appareils recommandés par le fabricant.

FIGYELMEZTETÉS!

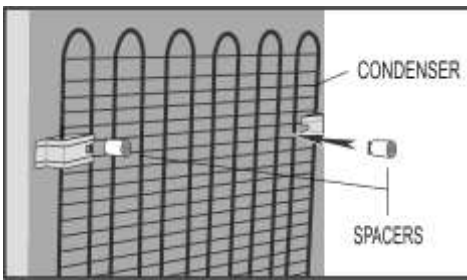
Az R600a (gyúlékony) teljesen környezetbarát hűtőgázzal működő hűtőberendezés normál üzemeltetése érdekében kövesse a következő szabályokat:

- ◆ Ne akadályozza meg a levegő keringését a készülék körül!
- ◆ Ne használjon más mechanikus eszközöket a gyorsabb felolvasztás érdekében, mint amit a gyártó ajánl!
- ◆ Ne károsítsa a hűtőközeg keringési rendszerét!
- ◆ Ne használjon más elektromos eszközöket a hűtőgép ételtároló részében, mint amiket a gyártó javasol!

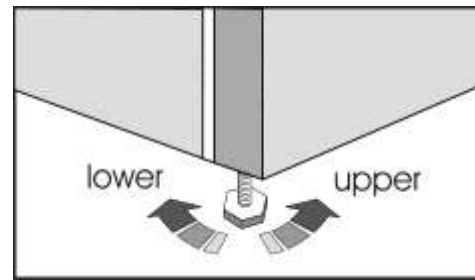




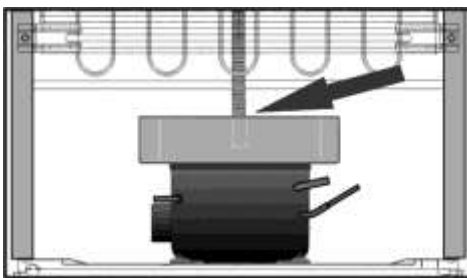
2



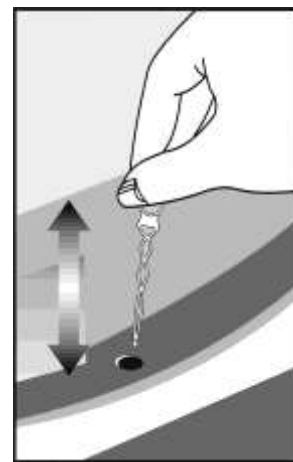
3



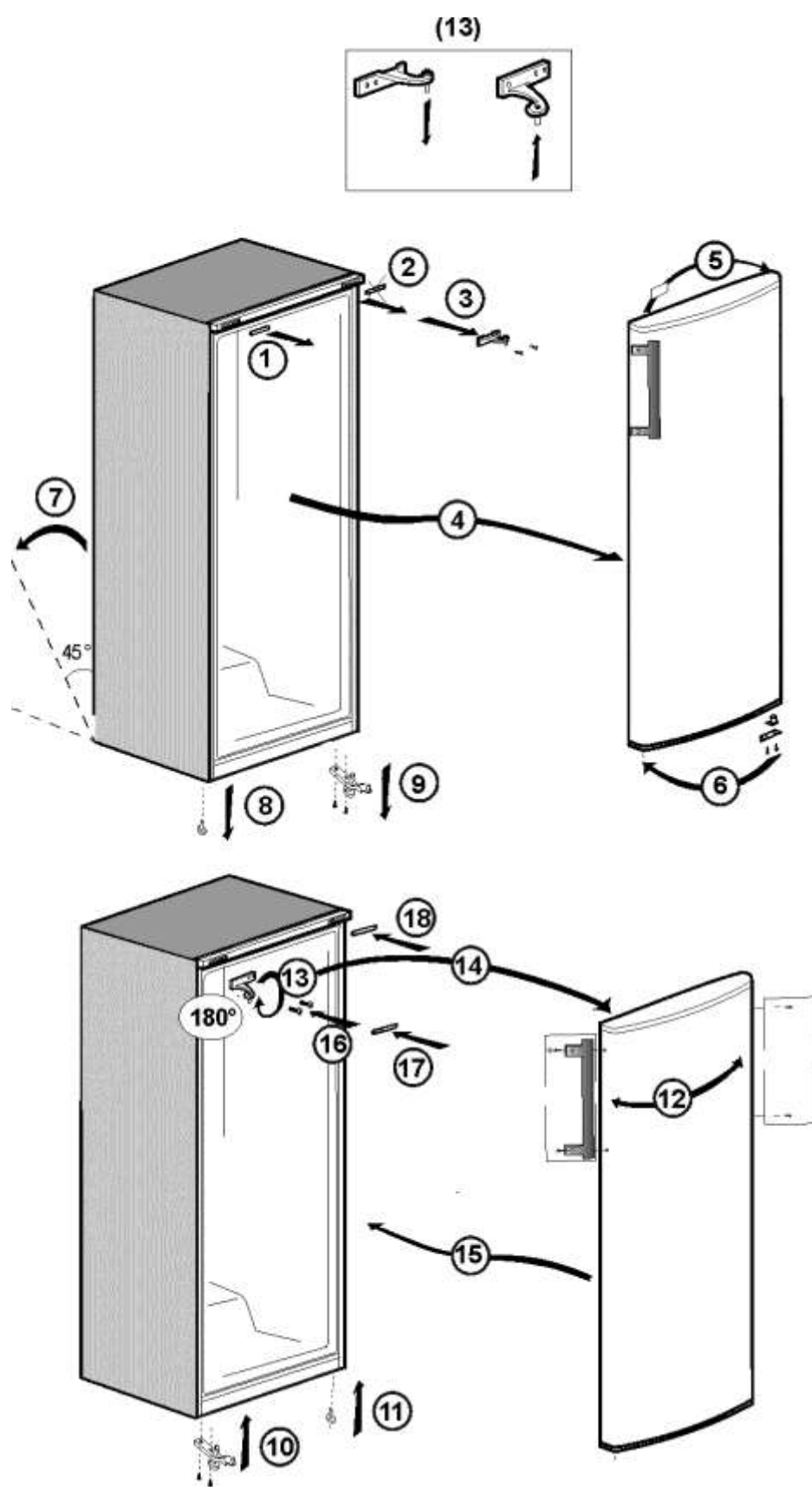
4



5



6



Congratulations on your choice of a **BEKO** Quality Appliance, designed to give you many years of service.

Safety first!

Do not connect your appliance to the electricity supply until all packing and transit protectors have been removed.

- Leave to stand for at least 4 hours before switching on, to allow compressor oil to settle.
- If you are discarding an old appliance with a lock or latch fitted to the door, break or disable the lock to ensure that it is left in a safe condition to prevent children becoming trapped inside.
- This appliance must only be used for its intended purpose.
- Do not dispose of the appliance on a fire. Your appliance contains non CFC substances in the insulation which are flammable. We suggest you contact your local authority for information on correct disposal and available facilities.
- We do not recommend use of this appliance in an unheated, cold room. (e.g. garage, conservatory, annex, shed, out-house etc.)

To obtain the best possible performance and trouble free operation from your appliance it is very important to read these instructions carefully. Failure to observe these instructions may invalidate your right to free service during the guarantee period.

Please keep these instructions in a safe place for easy reference.

**This appliance is not intended for use by person with reduced physical, sensory or mental capabilities or lack of experience and knowledge unless they have been given supervision or instruction concerning use of the appliance by a person responsible for their safety.
Children should be supervised to ensure that they do not play with the appliance.**

Electrical requirements

Before inserting the plug into the wall socket make sure that the voltage and the frequency shown in the rating plate inside the appliance corresponds to your electricity supply. We recommend that this appliance is connected to the mains supply via a suitably switched and fused socket in a readily accessible position.

Warning! This appliance must be earthed.

Repairs to electrical equipment should only be performed by a qualified technician. Incorrect repairs carried out by an unqualified person are carry risks that may have critical consequences for the user of the appliance.

ATTENTION!

This appliance operates with R 600a which is an environmental friendly but flammable gas. During the transportation and fixing of the product, care must be taken not to damage the cooling system. If the cooling system is damaged and there is a gas leak from the system, keep the product away from ignition sources and ventilate the room for a while.

WARNING - Do not use mechanical devices or other means to accelerate the defrosting process, other than those recommended by the manufacturer.

WARNING - Do not damage the refrigerant circuit.

WARNING - Do not use electrical appliances inside the food storage compartments of the appliance, unless they are of the type recommended by the manufacturer.

WARNING - If the supply cord is damaged, it must be replaced by the manufacturer, its service agent or similarly qualified persons in order to avoid a hazard.

Transportation instructions

1. The appliance should be transported only in an upright position. The packing as supplied must be intact during transportation.
2. The appliance should not be operated for at least 4 hours after installation, to allow the system to settle. You may also need to allow five minutes between plugging in and switching on the appliance.

3. Failure to comply with the above instructions could result in damage to the appliance, for which the manufacturer will not be held liable.

4. The appliance must be protected against rain, moisture and cold.

Important!

- Care must be taken while cleaning/carrying the appliance not to touch the bottom of the condenser metal wires at the back of the appliance, as this could cause injury to fingers and hands.

- Do not sit or stand on top of your appliance as it is not designed for such use. You could injure yourself or damage the appliance.

WARNING - Make sure that the mains cable is not caught under the appliance during and after moving, as this could damage the cable.

- Do not allow children to play with the appliance or tamper with the controls.

Installation instructions

1. Do not keep your appliance in a room where the temperature is likely to fall below 10 degrees C (50 degrees F) at night and/or especially in winter, as it is designed to operate in ambient temperatures between +10 and +43 degrees C (50 and 109 degrees F). At lower temperatures the appliance may not operate, resulting in a reduction in the storage life of the food.

2. Do not place the appliance near cookers or radiators or in direct sunlight, as this will cause extra strain on the appliance's functions. If installed next to a source of heat or freezer, maintain the following minimum side clearances:

From Cookers 30 mm

From Radiators 300 mm

From Freezers 25 mm

3. Make sure that sufficient room is provided around the appliance to ensure free air circulation (**Item 2**).

- Open the door of your refrigerator to set the distance between the refrigerator and the wall (**Item 3**).

4. The appliance should be positioned on a smooth surface. The two front feet can be adjusted as required. To ensure that your appliance is standing upright adjust the two front feet by turning clockwise or anti-clockwise, until firm contact is secured with the floor. Correct adjustment of feet prevents excessive vibration and noise **(Item 4)**.

5. Refer to "Cleaning and Care" section to prepare your appliance for use.

Getting to know your appliance (Item 1)

- 1 - Thermostat and lamp housing
- 2 - Adjustable Cabinet shelves
- 3 - Wine bottles support
- 4 - Water collector
- 5 - Crisper cover
- 6 - Crispers
- 7 - Adjustable foot
- 8 - Shelf for jars
- 9 - Shelf for bottles

Suggested arrangement of food in the larder fridge

Guidelines for obtaining optimum storage and hygiene:

1. This appliance for the short-term storage of fresh food and drinks.

2. Dairy products should be stored in the special compartment provided in the door liner.

3. Cooked dishes should be stored in airtight containers and are best kept on either of the removable shelves.

4. Fresh wrapped produce can be kept on the shelf. Fresh fruit and vegetables should be cleaned and stored in the crisper bins.

5. Bottles can be kept in the door section.

6. To store raw meat, wrap in polythene bags and place on the lowest shelf. Do not allow to come into contact with cooked food, to avoid contamination. For safety, only store raw meat for two to three days.

7. For maximum efficiency, the removable shelves should not be covered with paper or other materials to allow free circulation of cool air.

8. The shelves are fitted with rear stops and tilting for storing bottles. Lift shelf clear of grooves when adjusting.

9. To tilt a shelf, place the back of the shelf one level below the front of the shelf. To remove a tilted shelf, first release the back from the one level below the front of the shelf. To remove a tilted shelf, first release the back from the grooves and then pull.

10. Do not keep vegetable oil on door shelves. Keep food packed, wrapped or covered. Allow hot food and beverages to cool before refrigerating. Do not store explosive substances in the refrigerator. High proof alcohol must be stored upright in sealed containers. Leftover canned food should not be stored in the can.

11. Some fruit and vegetables suffer damage if kept at temperatures near 0 degrees centigrade. Therefore wrap pineapples, melon, cucumbers, tomatoes and similar produce in polythene bags.

Temperature control and adjustment

The internal temperature could be adjusted by means of the button from the thermostat.

The temperatures obtained inside the appliance could oscillate depending on the usage conditions: location, environmental temperature, doors opening frequency, foods quantity. Position of thermostat button will change depending on these conditions.

Generally, for an environmental temperature of 25°C (77°F), thermostat button will be settled on a medium position.

Avoid some positions of thermostat button that could involve a continuously running of the appliance. This could involve a temperature decrease under 0°C, therefore the drinks and fresh foods could freeze and an excessive ice quantity could be accumulated on the internal wall. All these above mentioned could involve a decrease of the refrigerating efficiency (increase of the power consumption).

Before operating

Final Check

Before you start using the appliance check that:

1. The feet have been adjusted for perfect levelling.
2. The interior is dry and air can circulate freely at the rear.
3. The interior is clean as recommended under "Cleaning and care."
4. The plug has been inserted into the wall socket and the electricity is switched on. When the door is open the interior light will come on.

And note that:

5. You will hear a noise as the compressor starts up. The liquid and gases sealed within the refrigeration system may also make some (noise), whether the compressor is running or not. This is quite normal.
6. Slight undulation of the top of the cabinet is quite normal due to the manufacturing process used; it is not a defect.
7. We recommend setting the thermostat knob midway and monitor the temperature to ensure the appliance maintains desired storage temperatures (See section Temperature Control and Adjustment).
8. Do not load the appliance immediately it is switched on. Wait until the correct storage temperature has been reached. We recommend checking the temperature with an accurate thermometer (see; Temperature Control and Adjustment).

Defrosting

The larder refrigerator defrosts automatically. The defrosting water runs to the drain tube via a collection channel and is evaporated in a special container at the back of the appliance.

(Item 5).

During defrosting, water droplets may form at the back of the larder refrigerator where a concealed evaporator is located. Some droplets may remain on the liner and refreeze when defrosting is completed. Do not use pointed or sharp-edged objects such as knives or forks to remove the droplets which have refrozen.

If, at any time, the defrost water does not drain from the collection channel, check that no food particles have blocked the drain tube. The drain tube can be cleared by pushing the special plastic plunger provided down the drain tube.

Check that the tube is permanently placed with its end in the collecting tray on the compressor to prevent the water spilling on the electric installation or on the floor **(Item 6)**.

Replacing the interior light bulb

To change the Bulb/LED used for illumination of your refrigerator, call your Authorised Service.

The lamp(s) used in this appliance is not suitable for household room illumination. The intended purpose of this lamp is to assist the user to place foodstuffs in the refrigerator/freezer in a safe and comfortable way.

The lamps used in this appliance have to withstand extreme physical conditions such as temperatures below -20°C.

Repositioning the door

Proceed in numerical order **(Item 7)**.

Cleaning and care

1. We recommend that you switch off the appliance at the socket outlet and pull out the mains plug before cleaning.

2. Never use any sharp instruments or abrasive substances, soap, household cleaner, detergent or wax polish for cleaning.

3. Use luke warm water to clean the cabinet of the appliance and wipe it dry.

4. Use a damp cloth wrung out in a solution of one teaspoon of bicarbonate of soda to one pint of water to clean the interior and wipe it dry.

5. Make sure that no water enters the temperature control box.

6. If the appliance is not going to be used for a long period of time, switch it off, remove all food, clean it and leave the door ajar.

7. Any dust that gathers on the condenser, which is located at the back of the appliance, should be removed once a year with a vacuum cleaner.

8. Check door seals regularly to ensure they are clean and free from food particles.

9. Never:

- Clean the appliance with unsuitable material; eg petroleum based products.
- Subject it to high temperatures in any way,
- Scour, rub etc., with abrasive material.

10. Removal of dairy cover and door tray :

- To remove the dairy cover, first lift the cover up by about an inch and pull it off from the side where there is an opening on the cover.
- To remove a door tray, remove all the contents and then simply push the door tray upwards from the base.

11. Make sure that the special plastic container at the back of the appliance which collects defrost water is clean at all times. If you want to remove the tray to clean it, follow the instructions below:

- Switch off at the socket outlet and pull out the mains plug
- Gently uncrimp the stud on the compressor, using a pair of pliers, so that the tray can be removed
- Lift it up.
- Clean and wipe it dry
- Reassemble, reversing the sequence and operations.

Do's and don'ts

- Do-** Clean and defrost your appliance regularly.
- Do-** Keep raw meat and poultry below cooked food and dairy products.
- Do-** Keep food for as short a time as possible and adhere to "Best Before" and "Use by" etc. dates.
- Do-** Take off any unusable leaves on vegetables and wipe off any soil.
- Do-** Leave lettuce, cabbage, parsley and cauliflower on the stem.
- Do-** Wrap cheese firstly in greaseproof paper and then in a polythene bag, excluding as much air as possible. For best results, take out of the fridge compartment an hour before eating.
- Do-** Wrap raw meat and poultry loosely in polythene or aluminium foil. This prevents drying.
- Do-** Wrap fish and offal in polythene bags.
- Do-** Wrap food with a strong odour or which may dry out, in polythene bags, or aluminium foil or place in airtight container.
- Do-** Wrap bread well to keep it fresh.
- Do-** Chill white wines, beer, lager and mineral water before serving.
- Don't-** Store bananas in your fridge compartment.
- Don't-** Store melon in your fridge. It can be chilled for short periods as long as it is wrapped to prevent it flavouring other food.
- Don't-** Leave the door open for long periods, as this will make the larder refrigerator. Your larder refrigerator has been designed for the storage of edible foodstuffs only.
- Don't-** Cover the shelves with any protective materials which may obstruct air circulation.
- Don't-** Store poisonous or any dangerous substances in your appliance. It has been designed for the storage of edible foodstuffs only.
- Don't-** Consume food which has been refrigerated for an excessive length of time.
- Don't-** Store cooked and fresh food together in the same container. They should be packaged and stored separately.
- Don't-** Let defrosting food or food juices drip onto food.

Information about operating noises

To keep the selected temperature constant, your appliance occasionally switches ON the compressor.

The resulting noises are quite normal.

As soon as the appliance has reached the operating temperature, the noises automatically reduce in volume.

The humming noise is emitted by the motor (compressor). When the motor switches ON, the noise may briefly increase in volume.

The bubbling, gurgling or whirring noise is emitted by the refrigerant as it flows through the pipes.

The clicking noise can always be heard when the thermostat switches ON/OFF the motor.

A clicking noise may occur when

- the automatic defrosting system is active.
- the appliance is cooling down or warming up (material expansion).

If these noises are excessively loud, the causes are probably not serious and are usually very easy to eliminate.

- The appliance is not level - Use the height-adjustable feet or place packing under the feet.
- The appliance is not free-standing - Please move the appliance away from kitchen units or other appliances.
- Drawers or shelves are loose or stick - Please check the detachable components and, if required, refit them.
- Bottles and/or receptacles are touching each other - Please move bottles and/or receptacles away from each other.

Troubleshooting


If the appliance does not operate when switched on, check;

- That the plug is inserted properly in the socket and that the power supply is on. (To check the power supply to the socket, plug in another appliance)
- Whether the fuse has blown/circuit breaker has tripped/main distribution switch has been turned off.
- That the temperature control has been set correctly.
- That the new plug is wired correctly, if you have changed the fitted, moulded plug.

If the appliance is still not operating at all after above checks, contact the dealer from whom you purchased the unit.

Please ensure that above checks have been done, as a charge will be made if no fault is found.



The symbol  on the product or on packaging indicates that this product may not be treated as household waste. Instead it shall be handed over to the applicable collection point for the recycling of electrical and electronic equipment. By ensuring this product is disposed of correctly, you will help prevent potential negative consequences for the environment and human health, which could otherwise be caused by inappropriate waste handling of this product. For more detailed information about recycling of this product, please contact your local city office, your household waste disposal service or the shop where you purchased the product.

Félicitations pour avoir choisi un appareil de qualité **BEKO**, conçu pour vous apporter satisfaction durant de nombreuses années de fonctionnement.

Premièrement la sécurité!

- Ne pas connecter votre appareil au réseau électrique avant d'avoir enlevé tout emballage ou pièce de protection pendant le transport
- Laissez l'appareil rester pendant au moins 4 heures avant de le mettre en fonction, pour permettre la stabilisation de l'huile du compresseur, si l'appareil a été transporté horizontalement.
- Si vous recyclez un vieil appareil ayant un verrou attaché dans la porte, assurez-vous qu'il a été laissé en bonne condition pour prévenir l'entrée des enfants.
- L'appareil doit être utilisé exclusivement dans le but pour lequel il a été projeté.
- Ne pas jeter l'appareil au feu. Votre appareil contient des substances sans CFC dans l'isolation, qui sont inflammables. Nous vous suggérons de contacter votre autorité locale pour recevoir des informations concernant le recyclage et les centres recommandés.
- Nous ne recommandons pas l'utilisation de l'appareil dans un espace non chauffé, froid. (ex: garage, annexe, etc.)
- Pour obtenir un fonctionnement meilleur et irréprochable de votre appareil il est très important de lire attentivement ces instructions. Si vous ne respectez pas ces instructions votre droit de recevoir service gratuit sera annulé.
- Nous vous prions de garder ces instructions dans une place sûre pour référence rapide.
- Les pièces détachées d'origine sont disponibles pendant 10 ans, à compter de la date d'achat du produit.

Cet appareil ne sera pas utilisé par des personnes ayant capacités physiques, sensorielles ou mentales réduites, ou sans expérience concernant l'utilisation de l'appareil, si une personne responsable de leur sécurité ne les a pas instruites pour ce but. Les enfants doivent être surveillés pour avoir la certitude qu'ils ne jouent pas avec l'appareil.

Avertissements et conseils importants

Il est très important que cette notice d'utilisation soit gardée avec l'appareil pour toute future consultation. Si cet appareil devait être vendu ou transféré à une autre personne, assurez-vous que la notice suive l'appareil de façon à ce que le nouvel utilisateur puisse être informé du fonctionnement de celui-ci et des avertissements relatifs. Ces avertissements sont donnés pour votre sûreté et pour celle d'autrui. Nous vous prions donc de bien vouloir les lire attentivement avant d'installer et d'utiliser votre réfrigérateur.

Sûreté

- ♦ Cet appareil a été conçu pour être utilisé par des adultes. Veillez donc à ce que les enfants n'y touchent pas ou qu'ils l'utilisent comme un jouet.
 - ♦ Débranchez toujours la prise de courant avant de procéder au nettoyage intérieur et au remplacement de la lampe d'éclairage.
 - ♦ Cet appareil est lourd; faites attention lors d'un déplacement.
 - ♦ Si le cordon d'alimentation est endommagé, celui-ci doit être remplacé par le fabricant, ses agents agréés ou tout autre agent qualifié afin d'être à l'abri de tout danger.
 - ♦ Les adultes doivent faire particulièrement attention en utilisant cet appareil à proximité d'enfants.
 - ♦ Ne permettez pas à de jeunes enfants de jouer avec l'appareil.
- Ne permettez pas à de jeunes enfants ou à des personnes infirmes d'utiliser l'appareil sans surveillance.

Service / réparation

- ♦ Il est dangereux de modifier ou d'essayer de modifier les caractéristiques de cet appareil.
- ♦ En cas de panne, n'essayez pas de réparer l'appareil vous-même. Les réparations effectuées par du personnel non qualifié peuvent provoquer des dommages. Contactez le service après vente de votre revendeur et exigez des pièces détachées d'origine.

Utilisation

- ♦ Les réfrigérateurs ménagers sont destinés uniquement à la conservation des aliments et des boissons.

Installation

- ♦ Assurez-vous qu'après avoir installé l'appareil, celui-ci ne repose pas sur le câble d'alimentation.
- ♦ L'appareil chauffe sensiblement au niveau du condenseur et du compresseur. Veillez à ce que l'air circule librement autour de l'appareil. Une ventilation insuffisante entraînerait un mauvais fonctionnement et une augmentation de la consommation d'électricité.
- ♦ Si l'appareil a été transporté couché, il est recommandé d'attendre environ 4 heures avant de la brancher.

Installation

Si cet appareil, muni d'une fermeture magnétique, doit être employé pour en remplacer une autre muni d'une fermeture à ressort, nous vous conseillons de rendre cette dernière inutilisable avant de mettre l'ancien appareil au rebut. Cela dans le but d'éviter que des enfants puissent s'y enfermer et mettre ainsi leur vie en danger.

Emplacement

- ♦ Placez de préférence votre appareil loin d'une source de chaleur (chauffage, cuisson, rayons solaires trop intenses). Pour le bon fonctionnement de votre appareil, la température ambiante du local doit être comprise entre $+10^{\circ}$ et $+43^{\circ}\text{C}$ (classe SN-T). En dehors de ces limites, l'appareil ne fonctionne plus normalement.
- ♦ Veillez à la bonne circulation de l'air à l'arrière de l'appareil. Pour un meilleur rendement de celui-ci, la distance minimale entre la partie supérieure de l'appareil et un éventuel élément de cuisine doit être au moins de 100 mm (fig. 2).
- ♦ Montez les deux entretoises arrière livrés séparément (fig. 3).
- ♦ Mettez l'appareil de niveau en agissant sur les pieds réglables (fig. 4).

Branchement au réseau

Votre appareil est prévu pour fonctionner sous une tension de 230 volts monophasée.

Il doit être raccordé à une prise murale munie d'un contact de terre.

Le fabricant décline toute responsabilité si cette prévention contre les accidents n'est pas respectée.

Présentation de l'appareil

- 1 - Boîte thermostat et lampe pour lumière intérieure
- 2 - Clayettes de rangement
- 3 - Clayette range-bouteilles
- 4 - Voie de récupération de l'eau de dégivrage - Tube d'écoulement
- 5 - Dessus de bac à légumes
- 6 - Bac à légumes
- 7 - Pied réglable
- 8 - Étagères de contreporte
- 9 - Porte bouteilles

Réversibilité de la porte

(Fig. 7)

Procédez suivant l'ordre numérique

Mise en fonctionnement

L'appareil étant convenablement installé, nous vous conseillons de nettoyer l'intérieur avec de l'eau tiède légèrement savonneuse (produit à vaisselle). N'utilisez ni produit abrasif, ni poudre à récurer qui risqueraient d'endommager les finitions.

Cet appareil doit être installé de façon à ce que la fiche de prise de courant soit accessible.

Branchez l'appareil, ouvrez la porte: la lumière doit s'allumer. Réglez la manette du thermostat sur une position moyenne et attendez environ 2 heures avant d'y introduire les produits.

Réglage de la température

La température interne est réglée à l'aide du bouton monté sur le thermostat.

Les températures obtenues à l'intérieur peuvent varier en fonction des conditions d'utilisation de l'appareil: emplacement, température ambiante, fréquence d'ouverture de porte, le degré de remplissage de denrées. La position du bouton du thermostat sera modifiée conformément à ces conditions. En général, pour une température ambiante de 25°C, le bouton thermostat sera fixé sur une position moyenne.

Le thermostat assure aussi le dégivrage automatique du compartiment. Pendant le dégivrage, la température à l'intérieur du compartiment peut atteindre +8°C, mais pendant la période de congélation baisse jusqu'à 2-3°C, ainsi la moyenne des températures dans un cycle complet de fonctionnement est d'environ + 5°C.

Évitez une position du bouton thermostat qui pourrait déterminer un fonctionnement continu de l'appareil. Cela provoque la baisse des températures inférieure à 0°C, avec le risque de la congélation des boissons et des denrées fraîches et une accumulation excessive de glace sur la paroi intérieure, avec la diminution de l'efficacité frigorifique de l'appareil (augmentation de la consommation d'énergie).

Pendant le fonctionnement du système frigorifique, on constate l'apparition de gouttes de condensation ou de la glace sur la paroi intérieure du fond. Il ne faut pas enlever ces gouttes, parce que cette paroi se dégivre automatiquement (Fig. 6).

L'eau qui résulte s'écoule par la tuyère spéciale, elle est collectée dans un plateau situé sur le compresseur, d'où elle s'évapore.

Suggestions concernant le placement des denrées

Pour obtenir un entreposage et une hygiène optimales, nous vous suggérons ce qui suit:

- Dans le réfrigérateur on garde pour une période courte des denrées fraîches et des boissons.

- Les denrées préparées doivent être gardés dans des récipients bien fermés, pas plus de 2 - 3 jours.
- Les produits frais, emballés, peuvent être gardés sur les grilles. On garde les fruits et les légumes frais dans le bac à légumes.
- On garde les bouteilles dans le compartiment pour bouteilles à l'intérieur de la porte (10).
- Pour garder la viande fraîche pour quelques jours dans le réfrigérateur, emballez-la dans des sachets en polyéthylène. Ne la mettez pas en contact avec les denrées préparées comme une mesure de précaution, ne gardez pas la viande fraîche plus de 2-3 jours.
- Pour une meilleure efficacité, les grilles ne seront pas couverts de papier ou d'autres matériaux pour permettre la circulation libre de l'air froid.
- Ne gardez pas l'huile dans les compartiments à l'intérieur de la porte.
- Gardez les denrées emballées ou couvertes. Les produits conservés ne seront plus gardés dans la boîte après qu'elle a été ouverte.
- Laissez les denrées chaudes se refroidir avant de les introduire dans le réfrigérateur.
- Les boissons acidulées ne se gardent pas dans le réfrigérateur. Les boissons alcooliques à concentration plus grande doivent être gardés en position verticale, dans des récipients bien fermés.

Changement de la lampe

Pour remplacer la lampe LED du réfrigérateur, veuillez contacter le service après-vente agréé.

La lampe (s) utilisé dans cet appareil ne convient pas pour l'éclairage de la salle de ménage. Le but visé par cette lampe est d'aider à l'utilisateur de placer les aliments dans le réfrigérateur / congélateur d'une manière sûre et confortable. Les voyants utilisés dans cet appareil doivent résister aux conditions physiques extrêmes telles que des températures inférieures à -20°C.

Dégivrage

Le dégivrage est complètement automatique et se produit pendant chaque période d'arrêt du motocompresseur commandée par le thermostat.

Aucune intervention de votre part n'est nécessaire.

L'eau du dégivrage est collectée dans un bac situé sur le compresseur, où elle s'évapore à cause de la chaleur générée pendant son fonctionnement (Fig. 5).

Important !

Gardez propre le collecteur et le tube d'écoulement de l'eau de dégivrage. Veillez à ce que le tube soit tout le temps avec l'extrémité dans l'intérieur du bac collecteur situé sur le motocompresseur pour prévenir l'écoulement de l'eau sur l'installation électrique ou sur le plancher.

Nettoyage

- ◆ Nettoyer fréquemment l'intérieur de l'armoire.

Avant toute opération de nettoyage, prenez la précaution de débrancher l'appareil.

Nettoyage intérieur :

Nettoyer l'intérieur de l'armoire avec de l'eau tiède additionnée de bicarbonate de soude. Faites attention à ce que de l'eau ne pénètre pas à l'intérieur du boîtier du thermostat. Rincez et essuyez soigneusement.

Nettoyage extérieur :

Lavez la carrosserie avec de l'eau tiède savonneuse sans oublier le joint de la porte. Dépoussiérez le condenseur situé à l'arrière de l'appareil à l'aide d'une brosse ou d'un aspirateur. Une accumulation de poussière risquerait de diminuer le rendement du réfrigérateur.

Arret prolongé

Lorsque l'appareil doit rester à l'arrêt pendant un certain temps : débranchez la prise de courant ; videz l'appareil ; nettoyez-le à fond ; laissez la porte entrouverte pour éviter l'apparition de mauvaises odeurs.

Remarques sur les bruits de fonctionnement

Afin que la température choisie reste constante, l'appareil enclenche périodiquement le compresseur.

Les bruits qui en résultent proviennent du fonctionnement de l'appareil.

Ils diminuent automatiquement dès que l'appareil a atteint la température de service.

Bourdonnements étouffés

Ces bruits normaux proviennent du moteur du compresseur. Ils s'intensifient un peu lorsque le moteur s'enclenche.

Gargouillis et clapotis légers

Ils proviennent de la circulation du fluide réfrigérant dans les serpentins.

Déclics

Ces déclics sont audibles chaque fois que le thermostat ordonne l'enclenchement ou la coupure du moteur.

Des craquements peuvent survenir si ...

- La décongélation automatique se met en marche.

- L'appareil est en train de se refroidir et/ou se réchauffer (dilatation des matériaux).

Si les bruits de fonctionnement deviennent trop forts, vous pouvez peut-être en trouver facilement la cause et les supprimer.

L'appareil n'est pas d'aplomb - Veuillez ajuster l'aplomb de l'appareil à l'aide d'un niveau à eau. Pour cela, utilisez les pieds à vis ou placez quelque chose sous l'appareil pour le caler.

Les parois de l'appareil appuient contre quelque chose - Veuillez éloigner l'appareil des meubles ou appareils qu'il touche.

Les tiroirs, paniers ou clayettes ne sont pas bien fixés ou au contraire coincés - Vérifiez le bon positionnement des pièces, amovibles et remettez-les correctement en place si nécessaire.

Des bouteilles ou récipients placés dans l'appareil se touchent - Dans ce cas, éloignez les bouteilles et récipients légèrement les uns des autres.

Recyclage



Ce produit est marqué du symbole du tri sélectif, relatif aux déchets d'équipements électriques et électroniques. Cela signifie que ce produit doit être pris en charge par un système de collecte sélectif conformément à la directive européenne 2002/96/CE, afin de pouvoir être recyclé ou démantelé dans le but de réduire tout impact sur l'environnement. Attention les produits électroniques n'ayant pas fait l'objet d'un tri sélectif sont potentiellement dangereux pour l'environnement et la santé humaine en raison de la présence potentielle de substances dangereuses.

Gratulálunk, hogy a minőségi **BEKO** készüléket választotta, melyet sokévnnyi használatra terveztek.

Első a biztonság!

Ne csatlakoztassa a készüléket elektromos ellátáshoz, amíg minden csomagolást és szállításvédelmi eszközt el nem távolított.

- Hagyja állni 4 órát, mielőtt bekapcsolná a készüléket, hogy a kompresszor olajsintje leülepedjen.
- Ha lecseréli régi készülékét, amelyen zár vagy retesz van, törje le a zárat, hogy elkerülje egy gyermek bent rekedését.
- A készüléket csak arra a célra szabad használni, amire tervezték.
- Ne dobja tűzre a készüléket. A készülék szigetelése CFC anyagokat (fluór-klór-szénhidrogén) tartalmaz, amelyek gyúlékonyak. Azt ajánljuk, hogy további információért a készülék leselejtezésével kapcsolatban és a közeli lerakóhelyeket illetően lépjen kapcsolatba a helyi hatósággal.
- Nem ajánljuk a készülék használatát fűtetlen, hideg helyiségben. (pl.: garázs, télikert, melléképület, fészter, házon kívül stb.)

A lehető legjobb teljesítmény és zavarmentes működés érdekében nagyon fontos, hogy ezeket az utasításokat figyelmesen olvassa el. Ezen utasítások elmulasztása érvénytelenítheti az ingyen szervizhez való jogot a garancia időtartama alatt.

Kérjük, tartsa ezeket az utasításokat biztonságos helyen a gyorsabb használhatóság érdekében.

A készüléket nem tervezték korlátozott fizikai, érzékelő vagy mentális képességekkel rendelkező, illetve gyakorlatlan személy által történő használatra, kivéve, ha az ilyen személy felügyeletét valamely, annak biztonságáért felelős személy látja el, illetve ez a személy a készülék használatára vonatkozóan útmutatást biztosít. Biztosítani kell a gyermekek felügyeletét, hogy azok ne játsszanak a készülékkel.

Elektromos követelmények

Mielőtt bedugná a csatlakozót a konnektorba, győződjön meg róla, hogy a feszültség és frekvenciamutató megfelel a készülék hátulján szereplő osztályozásnak.

Azt ajánljuk, hogy a készülékét a fő áramkörhöz egy megfelelő kapcsolón keresztül csatlakoztassa egy könnyedén elérhető állásba.

FIGYELMEZTETÉS! Ezt a készüléket földelni kell.

Az elektromos berendezés javítását csak képezett technikus végezheti. A képzetlen személy által végrehajtott javítás kockázatot rejt, amely kritikus következményekkel járhat a készülék felhasználója számára.

Figyelem!

Ez a készülék R 600a –val működik, amely környezetbarát, de gyúlékony gáz. A termék szállítása és rögzítése folyamán ügyelnie kell arra, hogy ne sértse meg a hűtőrendszert. Ha a hűtőrendszer megsérül, és a gáz szivárog a rendszerből, tartsa távol azt a tűzforrásoktól, és szellőztesse ki a helyiséget rövid időre.

FIGYELMEZTETÉS – Ne használjon más mechanikus berendezéseket vagy egyéb eszközöket a kioldás felgyorsításához, mint amelyeket a gyártó ajánlott.

FIGYELMEZTETÉS – Ne károsítsa a hűtőskeringést.

FIGYELMEZTETÉS – Ne használjon elektromos berendezést a készülék élelmiszer tárolására alkalmas rekeszeiben, kivéve a gyártó által ajánlott típusokat.

FIGYELMEZTETÉS – Ha az áramellátó zsinór megsérült, annak kicserélését a gyártóval, a gyártó szervizelőjével vagy hasonló képzett szakemberrel kell elvégeztetni a veszély elkerülése érdekében.

Szállítási utasítások

1. A készüléket csak függőleges állapotban szabad szállítani. A szállítmány csomagolásának sértetlennek kell lennie a szállítás alatt.

2. A készüléket bekötés után legalább 4 órán át ne működtesse, hogy a rendszer helyreálljon. Tanácsoljuk, hogy az áramhoz csatlakoztatás és a készülék bekapcsolása között tartson öt perc szünetet.

3. Ha a fenti utasításoknak elmulaszt eleget tenni, az a készülék sérülését eredményezheti, amelyért a gyártó nem vállal felelősséget.

4. A készüléket óvni kell esőtől, nedvességtől és hidegtől.

Fontos!

• Óvatosnak kell lennie a készülék tisztítása/szállítása alatt, hogy a kondenzátor drót huzaljai ne érintkezzenek a készülék hátuljában, mivel ezek az ujjak és kezek sérülését okozhatják.

• Ne üljön vagy álljon rá a készülék tetejére, mivel azt nem erre a használatra tervezték. Megsérülhet vagy károsíthatja a készüléket.

FIGYELMEZTETÉS - Győződjön meg róla, hogy a fő kábel nem csípődött be a készülék alá a mozgatás alatt, mivel ez megsértheti a kábelt

• Ne engedje, hogy a gyerekek játszanak a készülékkel, vagy megváltoztassák a vezérlést.

Beüzemelési utasítások

1. Ne tartsa a készüléket olyan helyiségben, ahol a hőmérséklet valószínűleg 10°C (50 F) alá esik éjjel és/vagy különösen télen, mivel azt +10 és +43°C (50-109 F) közötti külső hőmérsékletre tervezték. Alacsonyabb hőmérsékleten a berendezés esetleg nem működik, és ez az étel tárolási időtartamának csökkenését eredményezi.

2. Ne tegye a berendezést tűzhelyek vagy fűtőtestek közelébe, illetve közvetlen napfényre, mivel ez különösen hathat a készülék funkcióira. Ha meleg vagy mélyhűtő mellé helyezi, tartsa be a következő minimális oldaltávolságokat:

Tűzhelyektől 30 mm

Fűtőtestektől 300 mm

Fagyasztóktól 25 mm

3. Győződjön meg róla, hogy elég hely van a berendezés körül ahhoz, hogy biztosítsa a levegő szabad áramlását **(2. ábra)**.

• A hűtőszekrény és a fal közötti távolság beállításakor nyissa ki a hűtőszekrény ajtaját **(3. ábra)**.

4. A készüléket sima felületre kell helyezni. A két első lábat beállíthatja, ha szükséges. Annak biztosításához, hogy a berendezés egyenesen álljon, forgassa a két első lábat az óra járásával megegyező vagy ellentétes irányba, amíg biztonságosan nem áll a padlón. A lábak megfelelő beállításával elkerüli a túlzott rezgést és hangot **(4. ábra)**.
5. Hivatkozzon a „Tisztítás és ápolás” részre, hogy a berendezést előkészítse a használatra.

Ismerje meg készülékét (1. ábra)

- 1 - Hőszabályozó és lámpaház
- 2 - Állítható szekrénypolcok
- 3 - Bortartó
- 4 - Vízigyűjtő
- 5 - Fiókfedő
- 6 - Fiókok
- 7 - Állítható lábak
- 8 - Befőttes polc
- 9 - Palacktartó polc

A hűtőszekrényben lévő étel javasolt elrendezése

Útmutatások az optimális tárolás és higiénia eléréséhez:

1. Ez a készülék a friss ételek és italok rövid távú tárolására szolgál.

2. A főtt ételeket légmentesen záródó edényekben tartsa, lehetőleg valamelyik kivehető polcon.

3. A friss, csomagolt termékeket tarthatja a polcon. A friss gyümölcsöket és zöldségeket meg kell tisztítani, és a fiókokban kell tárolni.

4. A palackokat tarthatja az ajtórészben.

5. A nyers hús tárolásához használjon polietilén zacskókat, és helyezze a húst a legalsó polcra. Ne hagyja, hogy főtt ételekkel érintkezzen, és így elkerülje a szennyeződést. A biztonság érdekében csak 2-3 napig tárolja a nyers húst.

6. A maximális hatékonyság érdekében ne fedje be papírral vagy egyéb anyaggal a kivehető polcokat, hogy a hideg levegő szabadon áramolhasson.

7. A polcokat palackok tárolásához hátsó blokkolókkal és döntőkkel szerelték fel. A polcok beállításakor a vájatokat vegye le.

8. A polc döntéséhez helyezze a polc hátsó részét egy szinttel az első rész alá. A döntött polc eltávolításához előbb engedje fel az alacsonyabban található hátsó részt. A döntött polcot úgy veheti ki, ha előbb felengedi a vájatokat, majd meghúzza azt.

9. Ne tároljon növényi olajat az ajtópolcokon. Az ételt tárolja csomagolva vagy lefedve. Hagyja kihűlni a forró ételeket és italokat, mielőtt hűtőbe helyezi őket. A

hűtőszekrényben ne tartson robbanékony anyagokat. Magas alkoholtartalmú italokat egyenesen, lezárt tartóban kell tárolni. Az eltett ételmaradékot ne tárolja dobozban.

10. Egyes zöldségek és gyümölcsök károsodnak, ha 0 °C közeli hőmérsékleten tárolják őket. Ezért az ananászt, dinnyét, uborkát, paradicsomot és a hasonló termékeket csomagolja polietilén zacskóba.

Hőmérséklet szabályozás és -beállítás

A belső hőmérsékletet beállíthatja a termosztát gomb segítségével.

A készülék belsejében fennálló hőmérséklet ingadozhat a használat feltételeitől függően: elhelyezés, környezeti hőmérséklet, ajtó nyitásának gyakorisága, ételmennyiség. A termosztát gombjának beállítása ezen feltételektől függően változik. Rendszerint 25°C környezeti hőmérséklet esetén a termosztát gomb középállapotban helyezkedik el.

Kerülje a termosztát gomb néhány olyan állását, amely a készülék folyamatos működését eredményezheti. Ennek következményeként a hőmérséklet 0°C alá csökkenhet, ezért az ital és friss étel megfagyhat, és túlzott jégmennyiség halmozódhat fel a belső falon. A fent említettekből következik a hűtőhatás csökkenése (az energiafogyasztás növekedése).

A működés megkezdése előtt

Végső ellenőrzés

Mielőtt elkezdi használni a készüléket, ellenőrizze az alábbiakat:

1. A lábak a megfelelő szintre vannak beállítva.
2. A belső rész száraz, és a levegő szabadon tud keringeni a hátsó résznél.
3. A belső rész tiszta a „Tisztítás és ápolás” részben leírtak alapján.
4. A csatlakozó be van helyezve a foglalatba, és az áram be van kapcsolva. Ha az ajtó nyitva van, a belső világítás bekapcsol.

És jegyezze meg, hogy:

5. Hangot fog hallani, amint a kompresszor beindul. A folyadék és a gázok, amelyeket a hűtésrendszeren belül lezártak, szintén (hangot) adhatnak ki, akár működik a kompresszor, akár nem. Ez teljesen normális jelenség.
6. A szekrény tetejének enyhe hullámossága teljesen normális a gyártó által használt eljárásnak köszönhetően, ez nem hiba.
7. Azt ajánljuk, hogy a hőszabályozó gombot középre állítsa és kísérelje figyelemmel a hőmérsékletet, hogy biztosítsa a készülék kívánt hőmérsékletének fenntartását (Lásd Hőmérséklet szabályozás és -beállítás fejezet).
8. Ne töltsen fel azonnal a készüléket, amikor bekapcsolja. Várjon, míg a készülék eléri a megfelelő tárolási hőmérsékletet. Azt tanácsoljuk, hogy ellenőrizze a hőmérsékletet pontos hőmérővel (lásd Hőmérséklet szabályozás és -beállítás).

Kiolvasztás

A hűtőszekrény automatikusan kiolvad. A kiolvadó víz a lefolyócsőhöz fut egy, a készülék hátoldalán található gyűjtőtartályon keresztül **(5. ábra)**

Kiolvasztás alatt a hűtőszekrény hátsó oldalán, ahol egy elrejtett párologtató van elhelyezve, vízcseppek keletkezhetnek. Néhány csepp a borításon maradhat és visszafagyhat, ha a kiolvasztás befejeződött. A visszafagyott cseppek eltávolításához ne használjon hegyes vagy éles szélű tárgyakat, mint pl. kés vagy villa.

Ha a kiolvasztott víz nem folyik le a gyűjtő csatornából, ellenőrizze, hogy nem tömítették-e el a lefolyócsövet ételdarabok. A lefolyócső tisztításához húzza meg a cső alján található speciális műanyag dugattyút. Ellenőrizze, hogy a cső vége mindig a kompresszoron lévő tálcában legyen, biztosítva ezzel, hogy a víz ne folyjék az elektromos alkatrészekre vagy a padlóra **(6. ábra)**.

Belső villanykörte cseréje

A hűtőszekrény lámpájának cseréjéhez, kérjük, hívja fel a szakszervizt.

A készülékben lévő lámpa/lámpák háztartásban lévő helyiségek megvilágítására nem alkalmas/alkalmasak. A lámpa rendeltetése, hogy segítse a felhasználót az élelmiszerek hűtőszekrénybe/fagyasztószekrénybe való gyors és biztonságos behelyezésében. A készülékben használt lámpáknak extrém környezeti hatásokat kell kibírniuk, mint pl. a -20°C hőmérséklet.

Ajtó áthelyezése

Eljárás számsorrendben **(7. ábra)**.

Tisztítás és ápolás

1. Azt tanácsoljuk, hogy tisztítás előtt kapcsolja ki a készüléket, és húzza ki a fő csatlakozót.

2. Soha ne használjon éles tárgyat vagy csiszoló anyagot, szappant, háztartási tisztítót, tisztítószeret vagy viaszpolíturt a tisztításhoz.

3. Használjon langyos vizet a készülék belsejének tisztításához, és törölje szárazra azt.

4. A belső rész tisztításához mártson egy ruhát fél liter vízbe, amelyben feloldott egy teáskanál szóda-bikarbónát, csavarja ki, és törölje át vele a belsőt, majd törölje szárazra.

5. Ellenőrizze, hogy ne kerüljön víz a hőmérsékletszabályozó dobozba.

6. Ha a készüléket hosszú ideig nem használják, kapcsolja ki, távolítsa el minden élelmiszert, tisztítsa meg, és hagyja félig nyitva az ajtót.

7. Évente egyszer vákuumos tisztítóval távolítsa el a kondenzátoron, a készülék hátulján felgyülemlt port.

8. Rendszeresen ellenőrizze az ajtó-tömítéseket, hogy meggyőződjön róla, hogy azok tiszták és ételmaradékoktól mentesek.

9. Soha:

- Ne tisztítsa a készüléket arra alkalmatlan anyagokkal, pl. petróleum alapú termékekkel.
- Semmilyen körülmények között ne tegye ki magas hőnek.

• Ne tisztítsa, súrolja stb. csiszoló anyaggal.

10. Ellenőrizze, hogy a felolvasztott vizet gyűjtő kiolvasztó tartály, amely a készülék hátoldalán található, mindig tiszta legyen. Ha el akarja távolítani a tálcát, hogy megtisztítsa, kövesse az alábbi utasításokat:

• Kapcsolja ki az áramkört, és húzza ki a fő csatlakozót.

• Fogó segítségével finoman csavarja ki a kompresszoron található csavart, így a tálca eltávolítható.

• Emelje fel a tálcát.

• Tisztítsa meg, és törölje szárazra.

• A sorrendet megfordítva végezze el a műveleteket, és állítsa össze újra.

Kötelező és tilos dolgok

- Kötelező** - Rendszeresen tisztítani és kiolvasztani a készüléket
- Kötelező** - A nyers húst és a baromfi-húst a főtt ételek és tejtermékek alatt tartani.
- Kötelező** - Az ételt minél előbb elhasználni, és szem előtt tartani a „Minőségét megőrzi” dátumokat.
- Kötelező** - Eltávolítani el minden használhatatlan levelet a zöldségekről, és letörölni róluk a földet.
- Kötelező** - A salátát, káposztát, petrezselymet és karfiolt a törzsön/száron hagyni.
- Kötelező** - A sajtot előbb zsírpapírba, majd polietilén zacskóba csomagolni, annyira kizárva a levegőt, amennyire lehetséges. A legjobb eredményért vegye ki a hűtőből egy órával a fogyasztás előtt.
- Kötelező** - A nyers húst és szárnyasokat lazán polietilén- vagy alufóliába csomagolni. Ez megakadályozza a kiszáradást.
- Kötelező** - A halakat és belsejüket polietilén zacskóba csomagolni.
- Kötelező** - Az erős szaggal rendelkező vagy gyorsan kiszáradó ételeket polietilén zacskókba vagy alufóliába csomagolni, esetleg légmentesen zárható dobozba helyezni.
- Kötelező** - Jól becsomagolni a kenyeret, hogy friss maradjon.
- Kötelező** - Felszolgálat előtt lehűteni a fehér borokat, sört és ásványvizet.

- Tilos-** A banánt a hűtőszekrényben tárolni.
- Tilos-** A dinnyét a hűtőszekrényben tárolni. Rövid időre hűtheti, ha becsomagolja, ezzel megakadályozva, hogy más étel átvegye a szagát.
- Tilos-** Az ajtót hosszú időre nyitva hagyni, ez a hűtőszekrényt károsíthatja. A hűtőszekrényt csak emberi fogyasztásra alkalmas élelmiszerek tárolására tervezték.
- Tilos-** A polcokat valamilyen védőanyaggal befedni, amely akadályozhatja a levegő áramlását.
- Tilos-** Mérgező vagy bármilyen veszélyes anyagot tárolni a készülékben. A készüléket csak emberi fogyasztásra alkalmas élelmiszerek tárolására tervezték.
- Tilos-** Olyan ételt fogyasztani, amely túl sokáig volt lefagyasztva.
- Tilos-** Főtt és friss ételt ugyanabban a tárolóban tárolni. Ezeket elkülönítve kell csomagolni és tárolni.
- Tilos-** Hagyni, hogy a felengedő étel vagy folyadékok rácsöpögjenek az ételre.

Információ az üzemeltetési zajokról

A kiválasztott hőmérséklet állandó szinten tartásához a készülék néha bekapcsolja a kompresszort.

Az ebből keletkező zajok teljesen normálisak. Amint a készülék elérte a működési hőmérsékletet, a zajok automatikusan halkulnak.

A zümmögő hangot a motor (kompresszor) adja. Ha a motor bekapcsol, a hangok rövid ideig hangosabbak lehetnek.

A bugyborékoló, bugyogó vagy bűgő zajokat a hűtőanyag bocsátja ki, amikor a csöveken keresztül folyik.

Amikor a hőszabályozó BE/KI kapcsolja a motort, mindig kattogó zaj hallható.

Kattogó zaj jelentkezhethet, ha

- az automatikus kiolvasztó rendszer aktív.
- a készülék lehül vagy felmelegszik (anyagtágulás).

Ha ezek a zajok nagyon hangosak, valószínűleg nem komoly okokról van szó, és általában nagyon könnyű kiküszöbölni őket.


- A készülék nincs síkban – Használja a magasságbeállító lábakat vagy tegyen tömítést a lábak alá.
- A készülék nem áll szabadon – Kérjük, tartsa távol a készüléket a konyhai eszközöktől vagy egyéb berendezésektől.
- A fiókok vagy polcok lazák vagy ragadnak – Kérjük, ellenőrizze a kivehető elemeket, és igazítsa meg őket, ha szükséges.
- A palackok és/vagy tartályok egymáshoz érnek – Kérjük, helyezze egymástól távol a palackokat és/vagy tartályokat.

Problémakeresés

Ha a készülék nem működik, amikor bekapcsolja, akkor ellenőrizze az alábbiakat:

- A dugó megfelelően van-e bedugva a fali csatlakozóba és hogy van-e áram. (A konnektor áramellátásának ellenőrzéséhez csatlakoztasson más készüléket)
 - Lehet, hogy a biztosíték ki van ütve/ az áramkörmegszakító kiment/ a fő elosztó ki van kapcsolva.
 - A hőmérsékletszabályozó megfelelően van-e beállítva.
 - Az új csatlakozó helyesen van-e bekötve, ha megváltoztatta az illesztést és formadugót.
- Ha a készülék még mindig egyáltalán nem működik a fenti ellenőrzések után, lépjen kapcsolatba a kereskedővel, akinél a készüléket vásárolta.
- Kérjük, ellenőrizze, hogy a fenti ellenőrzéseket elvégezte, mert fizetnie kell, ha nem találnak hibát.



A terméken vagy a csomagoláson található  ábra azt jelzi, hogy a termék nem kezelhető háztartási hulladékként, hanem a megfelelő, az elektromos és elektronikus felszerelések újrahasznosítására létesült begyűjtő pontokban kell leadni. Ha gondoskodik a termék megfelelő leselejtezéséről, segít megelőzni azokat a környezetre és egészségre káros hatásokat, amelyeket a termék nem megfelelő leselejtezése eredményezne. A termék leselejtezésével kapcsolatos további részletekért forduljon a lakóhelyén található háztartási hulladék begyűjtőhöz vagy az áruházhoz, ahol a terméket megvásárolta.

4578333414/AD
EN,FR,HU