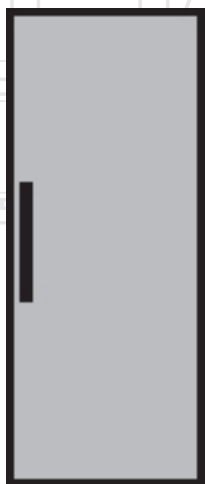


# Refrigerator

User manual



**Kühlschrank/Gefrierschrank  
Bedienungsanleitung**

**Réfrigérateur  
Manuel d'utilisation**

**Koelkast  
Gebruiksaanwijzing**

RSNE445 E 22

RSNE 445 E 33 W

RSNE 445 E 33 X

RSNE 445 E 33 DW

RSNE 445 E 33 DX

EN | DE | FR | NL |

**beko**

## Please read this manual before using the product!

Dear Customer,

We'd like you to make the best use of our product, which has been manufactured in modern facilities with care and meticulous quality controls.

Thus, we advise you to read the entire user manual before you use the product. In case the product changes hands, do not forget to hand the guide to its new owner along with the product.

### This guide will help you use the product quickly and safely.

- Please read the user guide carefully before installing and operating the product.
- Always observe the applicable safety instructions.
- Keep the user guide within easy reach for future use.
- Please read any other documents provided with the product.

Keep in mind that this user guide may apply to several product models. The guide clearly indicates any variations of different models.

	Important information and useful tips.
	Risk of life and property.
	Risk of electric shock.
	The product's packaging is made of recyclable materials, in accordance with the National Environment Legislation.

## **1 Safety and environment instructions 4**

General safety .....	4
Intended use .....	7
Child safety .....	7
Compliance with WEEE Directive and Disposing of the Waste Product .....	8
Compliance with RoHS Directive.....	8
Package information .....	8

## **2 Your refrigerator 9**

### **3 Installation 10**

Appropriate installation location .....	10
Installing the plastic wedges .....	10
Adjusting the feet .....	11
Electrical connection .....	11

### **4 Preparation 12**

### **5 Operating the product 13**

Freezing fresh food .....	15
Recommendations for preserving the frozen food.....	16
Deep-freeze information .....	16
Placing the food.....	17
Door open warning .....	17
Changing the door opening direction	17

## **6 Maintenance and cleaning 22**

Avoiding bad odours .....	22
Protecting the plastic surfaces .....	22

## **7 Troubleshooting 23**

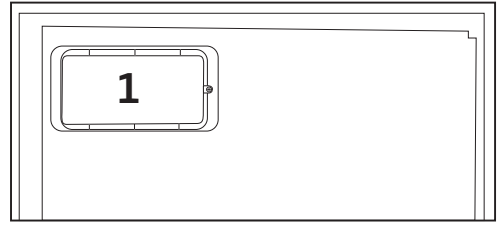
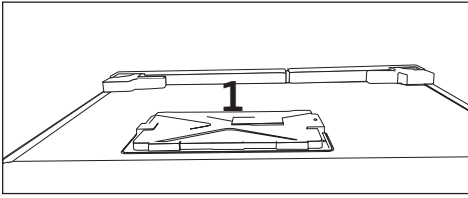
## **1 Safety and environment instructions**

This section provides the safety instructions necessary to prevent the risk of injury and material damage. Failure to observe these instructions will invalidate all types of product warranty.

### **1.1. General safety**

- This product should not be used by persons with physical, sensory and mental disabilities, without sufficient knowledge and experience or by children. The device can only be used by such persons under supervision and instruction of a person responsible for their safety. Children should not be allowed to play with this device.
- In case of malfunction, unplug the device.
- After unplugging, wait at least 5 minutes before plugging in again.
- Unplug the product when not in use.
- Do not touch the plug with wet hands! Do not pull the cable to plug off, always hold the plug.
- Wipe the power plug's tip with a dry cloth before plugging in.
- Do not plug in the refrigerator if the socket is loose.
- Unplug the product during installation, maintenance, cleaning and repair.
- If the product will not be used for a while, unplug the product and remove any food inside.
- Do not use the product when the compartment with circuit cards located on the upper back part of the product (electrical card box cover) (1) is open.

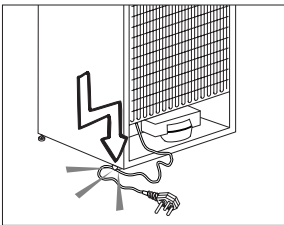
## Safety and environment instructions



- Do not use steam or steamed cleaning materials for cleaning the refrigerator and melting the ice inside. Steam may contact the electrified areas and cause short circuit or electric shock!
- Do not wash the product by spraying or pouring water on it! Danger of electric shock!
- In case of malfunction, do not use the product, as it may cause electric shock. Contact the authorized service before doing anything.
- Plug the product into an earthed socket. Earthing must be done by a qualified electrician.
- If the product has LED type lighting, contact the authorized service for replacing or in case of any problem.
- Do not touch frozen food with wet hands! It may adhere to your hands!
- Do not place liquids in bottles and cans into the freezer compartment. They may burst out!
- Place liquids in upright position after tightly closing the lid.
- Do not spray flammable substances near the product, as it may burn or explode.

## Safety and environment instructions

- Do not keep flammable materials and products with flammable gas (sprays, etc.) in the refrigerator.
- Do not place containers holding liquids on top of the product. Splashing water on an electrified part may cause electric shock and risk of fire.
- Exposing the product to rain, snow, sunlight and wind will cause electrical danger. When relocating the product, do not pull by holding the door handle. The handle may come off.
- Take care to avoid trapping any part of your hands or body in any of the moving parts inside the product.
- Do not step or lean on the door, drawers and similar parts of the refrigerator. This will cause the product to fall down and cause damage to the parts.
- Take care not to trap the power cable.



### 1.1.1 HC warning

If the product comprises a cooling system using R600a gas, take care to avoid damaging the cooling system and its pipe while using and moving the product. This gas is flammable. If the cooling system is damaged, keep the product away from sources of fire and ventilate the room immediately.



The label on the inner left side indicates the type of gas used in the product.

### 1.1.2 For models with water fountain

- In order for the water system inside the refrigerator to operate properly, pressure in the water mains must be between 1-8 bars. A pressure regulator must be used if the pressure in the water mains is higher than 5 bars. If the pressure in the mains is higher than 8 bars, the refrigerator must not be connected to the mains. If you are not sure about how to measure the water pressure, ask for professional help.
- Use drinking water only.

### 1.2. Intended use

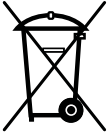
- This product is designed for home use. It is not intended for commercial use.
- The product should be used to store food and beverages only.
- Do not keep sensitive products requiring controlled temperatures (vaccines, heat sensitive medication, medical supplies, etc.) in the refrigerator.
- The manufacturer assumes no responsibility for any damage due to misuse or mishandling.
- The product's bench life is 10 years. The spare parts necessary for the product to function will be available for this period.

### 1.3. Child safety

- Keep packaging materials out of children's reach.
- Do not allow the children to play with the product.
- If the product's door comprises a lock, keep the key out of children's reach.

### 1.4. Compliance with WEEE Directive and Disposing of the Waste Product

This product complies with EU WEEE Directive (2012/19/EU). This product bears a classification symbol for waste electrical and electronic equipment (WEEE).



This product has been manufactured with high quality parts and materials which can be reused and are suitable for recycling. Do not dispose of the waste product with normal domestic and other wastes at the end of its service life. Take it to the collection center for the recycling of electrical and electronic equipment. Please consult your local authorities to learn about these collection centers.

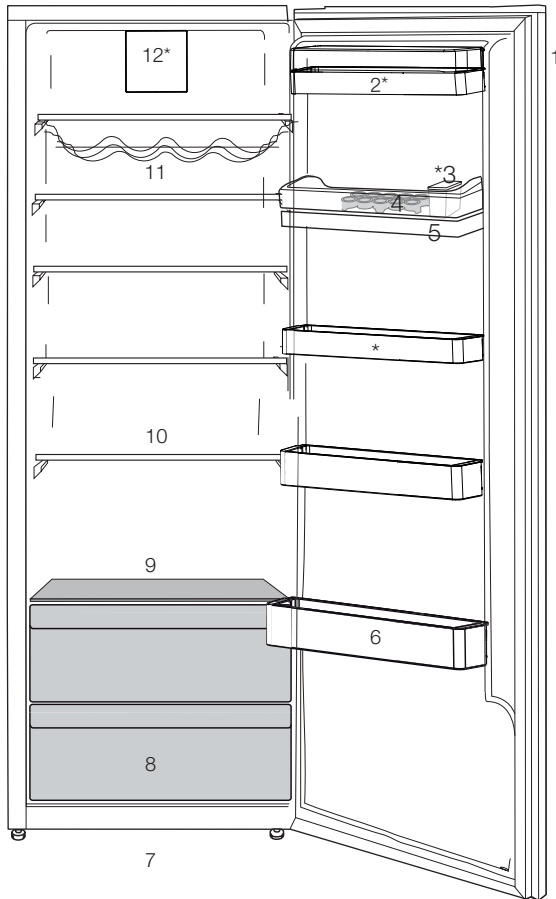
### 1.5. Compliance with RoHS Directive

- This product complies with EU WEEE Directive (2011/65/EU). It does not contain harmful and prohibited materials specified in the Directive.

### 1.6. Package information

- Packaging materials of the product are manufactured from recyclable materials in accordance with our National Environment Regulations. Do not dispose of the packaging materials together with the domestic or other wastes. Take them to the packaging material collection points designated by the local authorities.





- |                                 |                             |
|---------------------------------|-----------------------------|
| 1. Indicator panel              | 7. Bottle shelves           |
| 2. Butter & Cheese sections     | 8. Adjustable front feet    |
| 3. Water dispenser filling tank | 9. Chiller                  |
| 4. Egg section                  | 10. Chiller cover and glass |
| 5. Water dispenser reservoir    | 11. Movable shelves         |
| 6. Adjustable door shelves      | 12. Wine cellar             |

**\*OPTIONAL**



Figures that take place in this instruction manual are schematic and may not correspond exactly with your product. If the subject parts are not included in the product you have purchased, then it is valid for other models.

### 3.1. Appropriate installation location

Contact an Authorized Service for the installation of the product. In order to prepare the product for use, refer the information in the user manual and ensure that electrical installation and water installation are appropriate. If not, call a qualified electrician and technician to have any necessary arrangements carried out.



**WARNING:** Manufacturer shall not be held liable for damages that may arise from procedures carried out by unauthorized persons.



**WARNING:** Product must not be plugged in during installation. Otherwise, there is the risk of death or serious injury!



**WARNING:** If the door clearance of the room where the product shall be placed is so tight to prevent passing of the product, remove the door of the room and pass the product through the door by turning it to its side; if this does not work, contact the authorized service.

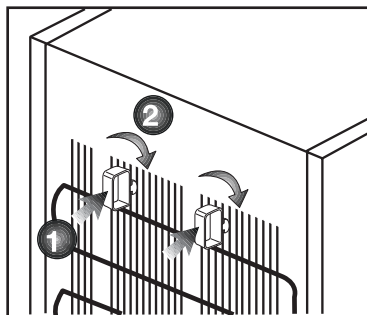
- Place the product on an even floor surface to prevent jolts.
- Install the product at least 30 cm away from heat sources such as hobs, heater cores and stoves and at least 5 cm away from electrical ovens.
- Product must not be subjected to direct sun light and kept in humid places.

- Appropriate air ventilation must be provided around your product in order to achieve an efficient operation. If the product is to be placed in a recess in the wall, pay attention to leave at least 5 cm distance with the ceiling and side walls.

### 3.2. Installing the plastic wedges

Plastic wedges supplied with the product are used to create the distance for the air circulation between the product and the rear wall.

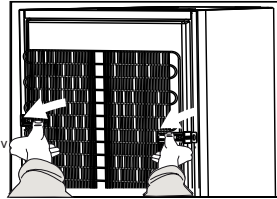
1. To install the wedges, remove the screws on the product and use the screws supplied together with the wedges.
2. Insert the 2 plastic wedges onto the rear ventilation cover as illustrated in the figure.



## Installation

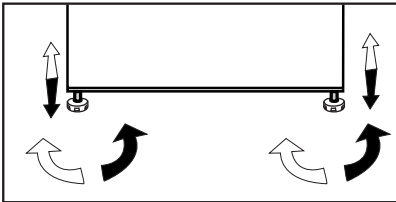
- The condenser of your appliance is located on the back as shown below. In order to achieve better energy efficiency with lower energy consumption, please pull the condenser towards yourself as illustrated in picture below. The condenser position will be fixed firmly by means of locking mechanism of the top holders on each side.

\* OPTIONAL






### 3.3. Adjusting the feet

If the product stands unbalanced after installation, adjust the feet on the front by rotating them to the right or left.



### 3.4. Electrical connection

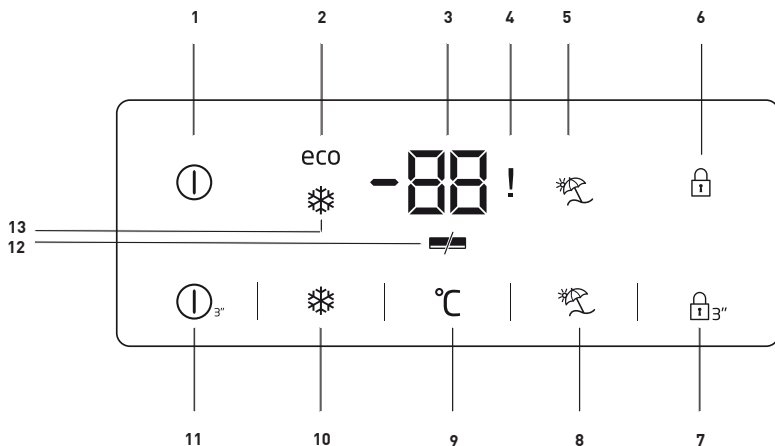
	<b>WARNING:</b> Do not make connections via extension cables or multi-plugs.
	<b>WARNING:</b> Damaged power cable must be replaced by the Authorized Service Agent.
	If two coolers are to be installed side by side, there should be at least 4 cm distance between them.

- Our company shall not be liable for any damages that will arise when the product is used without grounding and electrical connection in accordance with the national regulations.
- Power cable plug must be within easy reach after installation.
- Connect your refrigerator to a grounded outlet rated for a voltage value of 220-240V /50 Hz. Outlet shall have 10 to 16A fuse.
- Do not extension cords or cordless multiple outlets between your product and the wall outlet.

## 4 Preparation

- Your refrigerator should be installed at least 30 cm away from heat sources such as hobs, ovens, central heater and stoves and at least 5 cm away from electrical ovens and should not be located under direct sunlight.
- The ambient temperature of the room where you install your refrigerator should at least be 5°C. Operating your refrigerator under cooler conditions is not recommended with regard to its efficiency.
- Please make sure that the interior of your refrigerator is cleaned thoroughly.
- If two refrigerators are to be installed side by side, there should be at least 2 cm distance between them.
- When you operate your refrigerator for the first time, please observe the following instructions during the initial six hours.
- The door should not be opened frequently.
- It must be operated empty without any food in it.
- Do not unplug your refrigerator. If a power failure occurs out of your control, please see the warnings in the "Recommended solutions for the problems" section.
- Original packaging and foam materials should be kept for future transportations or moving.
- The baskets/drawers that are provided with the chill compartment must always be in use for low energy consumption and for better storage conditions.
- Food contact with the temperature sensor in the freezer compartment may increase energy consumption of the appliance. Thus any contact with the sensor(s) must be avoided.
- In some models, the instrument panel automatically turns off 5 minutes after the door has closed. It will be reactivated when the door has opened or pressed on any key.
- Due to temperature change as a result of opening/closing the product door during operation, condensation on the door/body shelves and the glass containers is normal

## 5 Operating the product



### 1. On/Off Indicator:

This icon (Ⓜ) come on when the fridge is turned off. All the other icons turn off.

### 2. Economic Usage Indicator:

This icon (eco) comes on when the Fridge Compartment is set to 8°C which is the most economical set value. Economic Usage Indicator turns off when the Quick Fridge or Quick Freeze function is selected.

### 3. Fridge Compartment Temperature Setting Indicator:

Indicates the temperature set for the Fridge Compartment.

### 4. Power failure/High temperature / error warning indicator :

This light (!) illuminates during power failure, high temperature failures and error warnings. During sustained power failures, the highest temperature that

the fridge compartment reaches will flash on the digital display.

### 5. Vacation Indicator:

This icon (☂) lights up when the Vacation Function is active.

### 6. Key Lock Indicator:

This icon (🔒) lights up when the Key Lock mode is activated.

### 7. Key Lock Mode:

Press Key Lock (🔒<sub>3</sub>) button continuously for 3 seconds. Key lock icon will light up and key lock mode will be activated. Buttons will not function if the Key Lock mode is active. Press Key Lock button continuously for 3 seconds again. Key lock icon will turn off and the key lock mode will be exited.



Figures in this user manual are schematic and may not match the product exactly. If the subject parts are not included in the product you have purchased, then those parts are valid for other models.

## Operating the product

### 8. Vacation Function:

When you press Vacation button, vacation function (🌴) is activated and vacation indicator lights. You can use this function when you will not use your fridge for a long time. Note that there should be no food inside your fridge, otherwise fridge can not preserve your food at Vacation mode.

If this function is activated, fridge compartment temperature is kept at 15 C° in order to prevent bad smelling. Press Vacation button again to deactivate vacation function.

### 9. Fridge Set Function:

This function (°C) allows you to make the Fridge compartment temperature setting. Press this button to set the temperature of the fridge compartment to 8,7,6,5,4,3, and 1 respectively.

### 10. Quick Fridge Function:

Quick Fridge indicator (❄️) turns on when the Quick Fridge function is on. Press Quick Fridge button again to cancel this function. Quick Fridge indicator will turn off and normal settings will be resumed. Quick Fridge function will be cancelled automatically 1 hours later if you do not cancel it manually. If you want to cool plenty amount of fresh food, press Quick Fridge button before you place the food into the fridge compartment.

### 11. On/Off Function:

This function (Ⓜ️) allows you to make the Fridge turn off when pressed for 3 seconds. The fridge could be turned on by pressing On/Off button for 3 seconds again.

### 12. Energy Saving Indicator :

If the product doors are kept closed for a long time energy saving function is automatically activated and energy saving symbol is illuminated. (🔌)

When energy saving function is activated, all symbols on the display other than energy saving symbol will turn off. When the Energy Saving function is activated, if any button is pressed or the door is opened, energy saving function will be canceled and the symbols on display will return to normal.

Energy saving function is activated during delivery from factory and cannot be canceled.

### 13. Quick Freeze Indicator :

This icon (❄️) comes on when the Quick Freeze function is on.

## Operating the product

### 5.1. Freezing fresh food

- In order to preserve the quality of the food, it shall be frozen as quickly as possible when it is placed in the freezer compartment, use the fast freezing feature for this purpose.
- You may store the food longer in freezer compartment when you freeze them while they are fresh.
- Pack the food to be frozen and close the packing so that it would not allow entrance of air.
- Ensure that you pack your food before putting them in the freezer. Use freezer containers, foils and moisture-proof papers, plastic bags and other packing materials instead of traditional packing papers.
- Label each pack of food by adding the date before freezing. You may distinguish the freshness of each food pack in this way when you open your freezer each time. Store the food frozen before in the front side of compartment to ensure that they are used first.



The freezer compartment defrosts automatically.

- Frozen food must be used immediately after they are thawed and they should not be re-frozen.
- Do not freeze too large quantities of food at one time.

## Operating the product

Freezer Compartment Setting	Fridge compartment Setting	Remarks
-18°C	4°C	This is the normal recommended setting.
-20,-22 or -24°C	4°C	These settings are recommended when the ambient temperature exceeds 30°C.
Quick Freeze	4°C	Use when you wish to freeze your food in a short time. Your product will return to its previous mode when the process is over.
-18°C or colder	2°C	Use these settings if you think that your fridge compartment is not cold enough because of the hot ambient conditions or frequent opening and closing of the door.

### 5.2. Recommendations for preserving the frozen food

Compartment shall be set to -18°C at least.

1. Put packages in the freezer as quickly as possible after purchase without allowing the to thaw.
2. Check whether the "Use By" and "Best Before" dates on the packaging are expired or not before freezing it.
3. Ensure that the package of the food is not damaged.

### 5.3. Deep-freeze information

According to IEC 62552 standards, the product shall freeze at least 4.5 kg of food at 32°C ambient temperature to -18°C or lower within 24 hours for every 100-litres of freezer volume.

It is possible to preserve the food for a long time only at -18°C or lower temperatures.

You can keep the freshness of food for many months (at -18°C or lower temperatures in the deep freeze).

Foods to be frozen should not be allowed to come in contact with the previously frozen items to prevent them from getting thawed partially.

Boil the vegetables and drain their water in order to store vegetables for a longer time as frozen. After draining their water, put them in air-proof packages and place them inside the freezer. Food such as bananas, tomatoes, lettuce, celery, boiled eggs, potatoes are not suitable for freezing. When these foods are frozen, only their nutritional value and taste shall be affected negatively. They shall not be spoiled so that they would create a risk for human health.



## Operating the product

### 5.4. Placing the food

Freezer compartment shelves	Various frozen food such as meat, fish, ice cream, vegetables and etc.
Refrigerator compartment shelves	Food in pans, covered plates and closed containers, eggs (in closed container)
Door shelves of fridge compartment	Small and packaged food or beverage
Crisper	Vegetables and fruits
Fresh zone compartment	Delicatessen (breakfast food, meat products that shall be consumed in a short time)

### 5.5. Door open warning

(This feature is optional)

An audio warning signal will be given when the door of your product is left open for at least 1 minute. This warning will be muted when the door is closed or any of the display buttons (if any) are pressed.

Door open warning is given to user both visually and acoustically. If the warning continues for 10 minutes, interior lights will be turned off.

### 5.6. Changing the door opening direction

Door opening direction of your refrigerator can be changed according to the place you are using it. If this is necessary, please call your nearest Authorized Service.

Above description is a general expression. For information on changing the opening direction of the door, you must refer to the warning label located on the inner side of the door.

## Operating the product

### Using the water dispenser

\*optional



It is normal for the first few glasses of water taken from the dispenser to be warm.

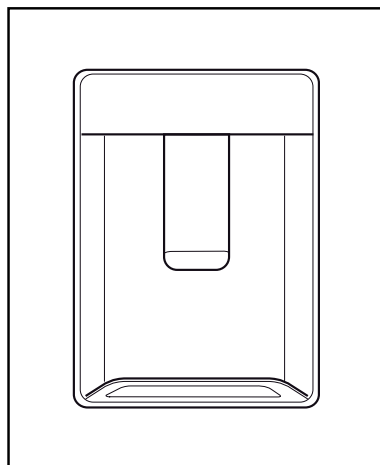


If the water dispenser is not used for a long period of time, dispose of first few glasses of water to obtain fresh water.

1. Push in the lever of the water dispenser with your glass. If you are using a soft plastic cup, pushing the lever with your hand will be easier.
2. After filling the cup up to the level you want, release the lever.



Please note, how much water flows from the dispenser depends on how far you depress the lever. As the level of water in your cup / glass rises, gently reduce the amount of pressure on the lever to avoid overflow. If you slightly press the arm, the water will drip; this is quite normal and not a failure.



### Filling the water dispenser's tank

Water tank filling reservoir is located inside the door rack.

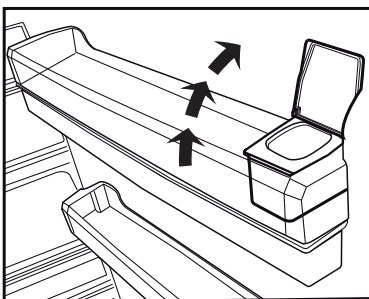
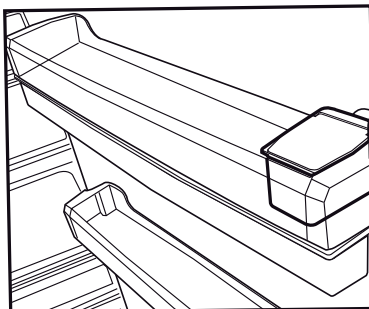
1. Open the cover of the tank.
2. Fill the tank with fresh drinking water.
3. Close the cover.



Do not fill the water tank with any other liquid except for water such as fruit juices, carbonated beverages or alcoholic drinks which are not suitable to use in the water dispenser. Water dispenser will be irreparably damaged if these kinds of liquids are used. Warranty does not cover such usages. Some chemical substances and additives contained in these kinds of drinks/liquids may damage the water tank.



Use clean drinking water only.



## Operating the product



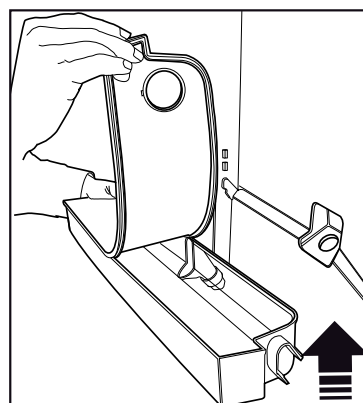
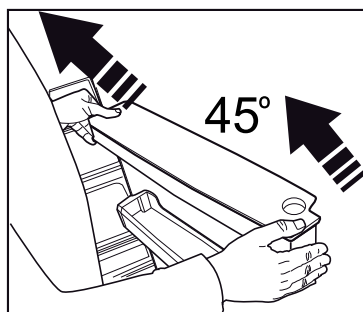
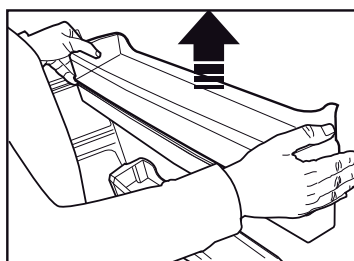
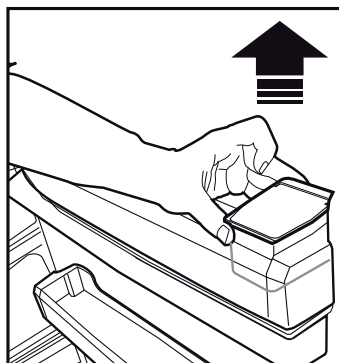
Capacity of the water tank is 3 litres; do not overfill.

### Cleaning the water tank

1. Remove the water filling reservoir inside the door rack.
2. Remove the door rack by holding from both sides.
3. Grab the water tank from both sides and remove it with an angle of 45°.
4. Remove the cover of the water tank and clean the tank.



Components of the water tank and water dispenser should not be washed in dishwasher.



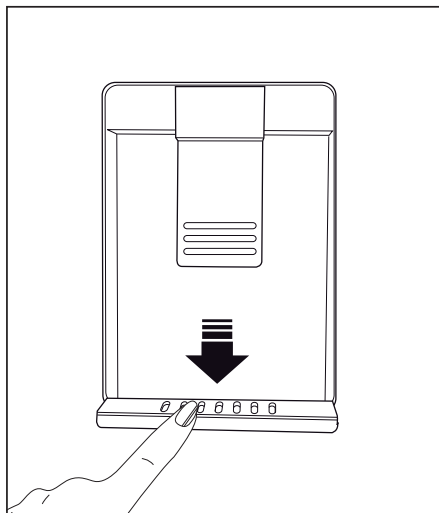
## Operating the product

### Drip tray

Water that dripped while using the water dispenser accumulates in the spillage tray.

Remove the plastic filter as shown in the figure.

With a clean and dry cloth, remove the water that has accumulated.



Cleaning your fridge at regular intervals will extend the service life of the product.



**WARNING:** Unplug the product before cleaning it.

- Never use gasoline, benzene or similar substances for cleaning purposes.
- Never use any sharp and abrasive tools, soap, household cleaners, detergent and wax polish for cleaning.
- Dissolve one teaspoon of bi-carbonate in half litre of water. Soak a cloth with the solution and wrung it thoroughly. Wipe the interior of the refrigerator with this cloth and the dry thoroughly.
- Make sure that no water enters the lamp housing and other electrical items.
- If you will not use the refrigerator for a long period of time, unplug it, remove all food inside, clean it and leave the door ajar.
- Check regularly that the door gaskets are clean. If not, clean them.
- To remove door and body shelves, remove all of its contents.
- Remove the door shelves by pulling them up. After cleaning, slide them from top to bottom to install.
- Never use cleaning agents or water that contain chlorine to clean the outer surfaces and chromium coated parts of the product. Chlorine causes corrosion on such metal surfaces.

### 6.1. Avoiding bad odours

Materials that may cause odour are not used in the production of our refrigerators. However, due to inappropriate food preserving conditions and not cleaning the inner surface of the refrigerator as required can bring forth the problem of odour. Pay attention to following to avoid this problem:

- Keeping the refrigerator clean is important. Food residuals, stains, etc. can cause odour. Therefore, clean the refrigerator with bi-carbonate dissolved in water every few months. Never use detergents or soap.
- Keep the food in closed containers. Microorganisms spreading out from uncovered containers can cause unpleasant odours.
- Never keep the food that have passed best before dates and spoiled in the refrigerator.

### 6.2. Protecting the plastic surfaces

Do not put liquid oils or oil-cooked meals in your refrigerator in unsealed containers as they damage the plastic surfaces of the refrigerator. If oil is spilled or smeared onto the plastic surfaces, clean and rinse the relevant part of the surface at once with warm water.

## 7 Troubleshooting

Check this list before contacting the service. Doing so will save you time and money. This list includes frequent complaints that are not related to faulty workmanship or materials. Certain features mentioned herein may not apply to your product.

### **The refrigerator is not working.**

- The power plug is not fully settled. >>> Plug it in to settle completely into the socket.
- The fuse connected to the socket powering the product or the main fuse is blown. >>> Check the fuses.

### **Condensation on the side wall of the cooler compartment (MULTI ZONE, COOL, CONTROL and FLEXI ZONE).**

- The environment is too cold. >> Do not install the product in environments with temperatures below -5°C.
- The door is opened too frequently >>> Take care not to open the product's door too frequently.
- The environment is too humid. >>> Do not install the product in humid environments.
- Foods containing liquids are kept in unsealed holders. >>> Keep the foods containing liquids in sealed holders.
- The product's door is left open. >>> Do not keep the product's door open for long periods.
- The thermostat is set to too low temperature. >>> Set the thermostat to appropriate temperature.

### **Compressor is not working.**

- In case of sudden power failure or pulling the power plug off and putting back on, the gas pressure in the product's cooling system is not balanced, which triggers the compressor thermic safeguard. The product will restart after approximately 6 minutes. If the product does not restart after this period, contact the service.
- Defrosting is active. >>> This is normal for a fully-automatic defrosting product. The defrosting is carried out periodically.
- The product is not plugged in. >>> Make sure the power cord is plugged in.
- The temperature setting is incorrect. >>> Select the appropriate temperature setting.
- The power is out. >>> The product will continue to operate normally once the power is restored.

### **The refrigerator's operating noise is increasing while in use.**

- The product's operating performance may vary depending on the ambient temperature variations. This is normal and not a malfunction.

## Troubleshooting

### **The refrigerator runs too often or for too long.**

- The new product may be larger than the previous one. Larger products will run for longer periods.
- The room temperature may be high. >>> The product will normally run for long periods in higher room temperature.
- The product may have been recently plugged in or a new food item is placed inside. >>> The product will take longer to reach the set temperature when recently plugged in or a new food item is placed inside. This is normal
- Large quantities of hot food may have been recently placed into the product. >>> Do not place hot food into the product.
- The doors were opened frequently or kept open for long periods. >>> The warm air moving inside will cause the product to run longer. Do not open the doors too frequently.
- The freezer or cooler door may be ajar. >>> Check that the doors are fully closed.
- The product may be set to temperature too low. >>> Set the temperature to a higher degree and wait for the product to reach the adjusted temperature.
- The cooler or freezer door washer may be dirty, worn out, broken or not properly settled. >>> Clean or replace the washer. Damaged / torn door washer will cause the product to run for longer periods to preserve the current temperature.

### **The freezer temperature is very low, but the cooler temperature is adequate.**

- The freezer compartment temperature is set to a very low degree. >>> Set the freezer compartment temperature to a higher degree and check again.

### **The cooler temperature is very low, but the freezer temperature is adequate.**

- The cooler compartment temperature is set to a very low degree. >>> Set the freezer compartment temperature to a higher degree and check again.

### **The food items kept in cooler compartment drawers are frozen.**

- The cooler compartment temperature is set to a very low degree. >>> Set the freezer compartment temperature to a higher degree and check again.



## Troubleshooting

### **The temperature in the cooler or the freezer is too high.**

- The cooler compartment temperature is set to a very high degree. >>> Cooler compartment temperature setting has an effect on the freezer compartment temperature. Change the temperature of the cooler or freezer compartment and wait until the temperature of the related compartments come to the adequate level.
- The doors were opened frequently or kept open for long periods. >>> Do not open the doors too frequently.
- The door may be ajar. >>> Fully close the door.
- The product may have been recently plugged in or a new food item is placed inside. >>> This is normal. The product will take longer to reach the set temperature when recently plugged in or a new food item is placed inside.
- Large quantities of hot food may have been recently placed into the product. >>> Do not place hot food into the product.

### **Shaking or noise.**

- The ground is not level or durable. >>> If the product is shaking when moved slowly, adjust the stands to balance the product. Also make sure the ground is sufficiently durable to bear the product.
- Any items placed on the product may cause noise. >>> Remove any items placed on the product.

### **The product is making noise of liquid flowing, spraying etc.**

- The product's operating principles involve liquid and gas flows. >>> This is normal and not a malfunction.

### **There is sound of wind blowing coming from the product.**

- The product uses a fan for the cooling process. This is normal and not a malfunction.

### **There is condensation on the product's internal walls.**

- Hot or humid weather will increase icing and condensation. This is normal and not a malfunction.
- The doors were opened frequently or kept open for long periods. >>> Do not open the doors too frequently; if open, close the door.
- The door may be ajar. >>> Fully close the door.

### **There is condensation on the product's exterior or between the doors.**

- The ambient weather may be humid, this is quite normal in humid weather. >>> The condensation will dissipate when the humidity is reduced.

## Troubleshooting

### The interior smells bad.

- The product is not cleaned regularly. >>> Clean the interior regularly using sponge, warm water and carbonated water.
- Certain holders and packaging materials may cause odour. >>> Use holders and packaging materials without free of odour.
- The foods were placed in unsealed holders. >>> Keep the foods in sealed holders. Microorganisms may spread out of unsealed food items and cause malodour.
- Remove any expired or spoiled foods from the product.

### The door is not closing.

- Food packages may be blocking the door. >>> Relocate any items blocking the doors.
- The product is not standing in full upright position on the ground. >>> Adjust the stands to balance the product.
- The ground is not level or durable. >>> Make sure the ground is level and sufficiently durable to bear the product.

### The vegetable bin is jammed.

- The food items may be in contact with the upper section of the drawer. >>> Reorganize the food items in the drawer.



**WARNING:** If the problem persists after following the instructions in this section, contact your vendor or an Authorized Service. Do not try to repair the product.

Sehr geehrter Kunde,

Wir möchten Ihnen eine optimale Effizienz Ihres Produkts bieten, welches in modernen Betrieben mit akribischen Qualitätskontrollen hergestellt wurde.

Hierzu bitten wir Sie die Bedienungsanleitung vollständig und gründlich durchzulesen und das Handbuch als Referenzquelle aufzubewahren. Wenn Sie das Produkt wiederum an eine andere Person weitergeben, geben Sie auch dieses Handbuch zusammen mit dem Produkt weiter.

### Das Benutzerhandbuch gewährleistet die schnelle und sichere Anwendung des Produkts.

- Vor der Installation und Anwendung des Produkts, lesen Sie bitte diese Bedienungsanleitung sorgfältig durch.
- Beachten Sie auf alle Fälle die Anleitung im Zusammenhang mit der Sicherheit.
- Da Sie diese Bedienungsanleitung auch in der Zukunft benötigen werden, sollte es leicht zugänglich aufbewahrt werden.
- Lesen Sie auch die, mit dem Produkt mitgelieferten, sonstigen Belege durch.

Beachten Sie, dass diese Anleitung für mehrere Produktmodelle anwendbar ist. Differenzen zwischen den Modellen sind eindeutig aufgeführt.

### Symbole und Erläuterungen

In dieser Bedienungsanleitung befinden sich folgende Symbole:

	Wichtige Informationen oder hilfreiche Tipps.
	Risiken für Gesundheit und Produkt.
	Stromschlagrisiko.
	Verpackung des Produktes, produziert aus wiederverwertbarem Materialen entsprechend der nationalen Umweltschutzgesetzte.

## **1 Sicherheits- und Umweltschutzanweisungen 3**

Allgemeine Sicherheit.....	3
Verwendungszweck .....	7
Kindersicherheit.....	7
Einhaltung der WEEE-Richtlinie und Entsorgung des Altprodukts .....	8
Einhaltung der RoHS-Richtlinie .....	8
Verpackungsinformation .....	8

## **2 Ihr Kühlschrank/ Gefrierschrank 9**

### **3 Installation 10**

Wenn Sie den Kühlschrank versetzen möchten: .....	10
Vor dem Einschalten .....	10
Elektrischer Anschluss.....	11
Verpackungsmaterialien entsorgen.....	11
Altgeräte entsorgen.....	11
Aufstellung und Installation.....	12

## **4 Vorbereitung 13**

## **5 Nutzung des Kühlschrank/ Gefrierschranks 14**

Doppeltes Kühlsystem.....	16
Frische Lebensmittel tiefkühlen.....	16
Empfehlungen zur Konservierung gefrorener Lebensmittel.....	20
Lebensmittel platzieren .....	20
Hinweise zum Tiefkühlen.....	21
Tür-offen-Warnung.....	21
Wechseln des Türanschlags .....	21

## **6 Pflege und Reinigung 22**

## **7 Problemlösung 23**

# 1 Sicherheits- und Umweltschutzanweisungen

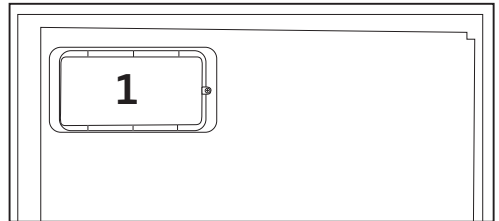
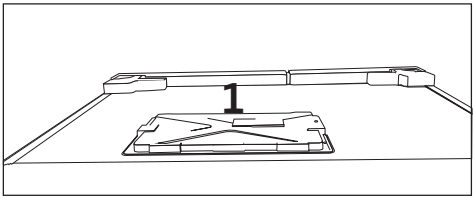
Dieses Kapitel beinhaltet die Sicherheitshinweise, um Verletzungsgefahr und materielle Schäden zu vermeiden. Bei Nichtbeachtung dieser Hinweise erlischt sämtliche Garantieleistung des Geräts.

## 1.1. Allgemeine Sicherheit

- Dieses Gerät darf nicht von Personen mit eingeschränkten physischen, sensorischen oder geistigen Fähigkeiten bedient werden. Die Bedienung dieses Geräts ist nur geeignet falls sie von einer verantwortlichen Person gründlich in die Bedienung des Gerätes eingewiesen wurden. Das Spielen von Kindern mit diesem Gerät ist nicht erlaubt.
- Falls während des Betriebs eine Störung auftritt, ziehen Sie das Gerät vom Netzstecker.
- Nachdem Sie den Netzstecker herausgezogen haben, warten Sie mindestens 5 Minuten bevor Sie es erneut einstecken. Ziehen Sie den Netzstecker aus, wenn das Produkt nicht in Betrieb ist. Den Stecker auf keinen Fall mit nassen Händen berühren! Ziehen Sie niemals am Netzkabel – ziehen Sie direkt am Stecker.
- Beim Einstecken des Netzsteckers in die Steckdose, das Ende des Steckers mit einem trockenen Tuch wischen.
- Sollte die Steckdose lose sein, den Stecker des Kühlschranks nicht einstecken.
- Während der Installation, Wartung oder Reparatur den Netzstecker aus der Steckdose ziehen.

## Sicherheits- und Umweltschutzanweisungen

- Falls Sie das Gerät für eine gewisse Dauer nicht benutzen werden, ziehen Sie es aus dem Netzstecker und entleeren Sie den Innenraum.
- Verwenden Sie niemals Dampf- oder Sprühreiniger zum Reinigen und Abtauen Ihres Kühlschranks. Die Dämpfe oder Nebel können in Kontakt mit stromführenden Teilen geraten und Kurzschlüsse oder Stromschläge auslösen!
- Spritzen oder schütten Sie aus Sicherheitsgründen kein Wasser direkt auf oder in den Kühlschrank! Es besteht Stromschlaggefahr!
- Benutzen Sie das Gerät niemals, wenn die sich auf der Oberseite bzw. auf der Rückseite befindlichen Bereiche mit den elektronischen Leitern im Inneren geöffnet sind (Abdeckung der elektronischen Leiterplatten) (1).



- Das Gerät sollte bei Störungen auf keinen Fall betrieben werden, da eine Stromschlaggefahr besteht. Führen Sie nichts durch, bevor Sie mit dem Kundendienst Kontakt aufgenommen haben.
- Schließen Sie das Produkt an eine geerdete Steckdose an. Die Erdung muss durch einen Fachmann durchgeführt werden.

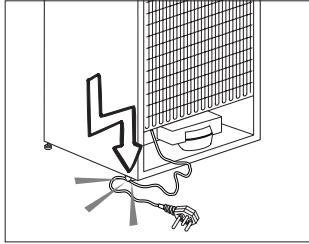
## Sicherheits- und Umweltschutzanweisungen

- Falls in Ihrem Produkt eine LED Beleuchtung vorhanden ist, wenden Sie sich beim Ersetzen oder bei einer Störung an den Kundendienst.
- Berühren Sie gefrorene Lebensmittel nicht mit der Hand! Sie könnten festfrieren!
- Legen Sie keine flüssigen Getränke in Flaschen oder Dosen in das Gefrierfach. Sie könnten platzen!
- Stellen Sie Getränke fest verschlossen und im senkrechten Zustand ab.
- Sprühen Sie keine entflammaren Stoffe, in der Nähe des Kühlschranks, da eine Feuer- und Explosionsgefahr besteht.
- Lagern Sie keine Produkte die entflammbar sind oder entflammbare Gase beinhalten (Spräydosen u. Ä.) oder explosive Stoffe in Ihrem Kühlschrank.
- Stellen Sie keine mit Flüssigkeit gefüllten Objekte auf den Kühlschrank. Bei elektrischen Geräten kann ein Wasserspritzer zu einem Kurzschluss oder zu einem Brand führen.
- Setzen Sie das Gerät keinem Regen, Schnee, direktem Sonnenlicht oder Wind aus, da dies die elektrische Sicherheit. Der Türgriff könnte sich lösen.
- Achten Sie darauf an den beweglichen Teilen im Innenraum des Geräts nicht Ihre Hände oder sonstige Teile Ihres Körper einzuklemmen.
- Verwenden Sie niemals die Türen und Fächer des Kühlschranks als Stützen oder Stufen. Dies würde zum Umkippen des Geräts oder zu Schäden an den

# Sicherheits- und Umweltschutzanweisungen

Bestandteilen führen.

- Achten Sie darauf, dass das Netzkabel nicht zerquetscht wird.



## 1.1.1 HC Hinweis

Sofern Ihr Gerät mit dem Kühlmittel R600a arbeitet, achten Sie also darauf, Kühlkreislauf und Leitungen während Betrieb und Transport nicht zu beschädigen. Dieses Gas ist entflammbar. Bei Beschädigungen halten Sie das Produkt von potenziellen Zündquellen fern und sorgen Sie für eine gute Belüftung des Raumes, in dem das Gerät aufgestellt wurde.



Das Typenschild links im Innenraum informiert Sie über den in Ihrem Gerät eingesetzten Kühlmitteltyp.

## 1.1.2 Für Modelle mit Wasserspender

- Damit der Wasserkreislauf des Kühlschranks reibungslos arbeitet, muss der Druck des Versorgungswassers 1 bis 8 bar betragen. Wenn der Druck des Versorgungswassers 5 bar übersteigt, sollte ein Druckregler verwendet werden. Falls der Druck der Wasserversorgung 8 bar übersteigt, sollte der Wasserkreislauf des Kühlschranks nicht an die Wasserversorgung angeschlossen werden. Falls Sie nicht wissen, wie Sie den Druck des Versorgungswassers messen, wenden Sie sich bitte an einen Experten. Verwenden Sie nur Trinkwasser.



## 1.2. Verwendungszweck

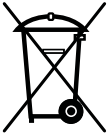
- Dieses Gerät ist zur Nutzung im Haushalt vorgesehen. Es ist für den kommerziellen Gebrauch nicht geeignet.
- Das Gerät nur für die Lagerung von Lebensmittel und Getränken verwenden.
- Produkte die eine sensible Temperatureinstellung benötigen (Impfungen, temperaturempfindliche Arzneimittel, medizinische Materialien u. Ä.) nicht im Kühlschrank lagern.
- Der Hersteller haftet nicht für Schäden, die auf falsche Handhabung oder Transport zurückzuführen sind.
- Die Lebensdauer des Geräts, das Sie erworben haben beträgt 10 Jahre. Es handelt sich hierbei um die Lagerhaltung der notwendigen Ersatzteile, damit das Produkt seine Funktion erfüllen kann.

## 1.3. Kindersicherheit

- Da das Verpackungsmaterial für Kinder eine Gefahr darstellen kann, sollte es an einer für diese unzugängliche Stelle aufbewahrt werden.
- Erlauben Sie Kindern nicht mit diesem Gerät zu spielen.
- Falls am Gerät ein Schloss vorhanden ist, sollte der Schlüssel an einem für Kinder unerreichbaren Platz aufbewahrt werden.

## 1.4. Einhaltung der WEEE-Richtlinie und Entsorgung des Altprodukts

Dieses Produkt entspricht den EU-Richtlinien WEEE (2012/19/E). Dieses Produkt trägt das Klassifizierungssymbol für Elektro- und Elektronik-Altgeräte (WEEE).



Dieses Produkt wurde mit hochwertigen Bauteilen und Materialien, die wiederverwendet werden können und für Recycling geeignet sind, gefertigt. Entsorgen Sie das Produkt am Ende seiner Lebensdauer nicht mit dem normalen Hausmüll und anderen Abfällen. Bringen Sie es zur Sammelstelle für die Wiederverwertung von elektrischen und elektronischen Altgeräten.

Bitte kontaktieren Sie Ihre örtlichen Behörden um Informationen über die Sammelstellen zu erhalten.

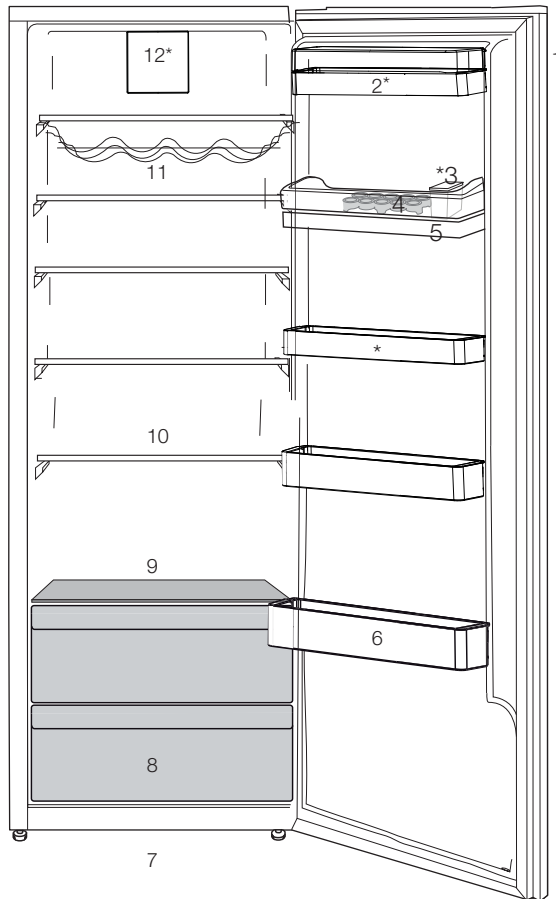
## 1.5. Einhaltung der RoHS-Richtlinie

- Dieses Produkt entspricht den EU-Richtlinien WEEE (2011/65/E). Es enthält keine schädlichen und verbotenen Materialien die in Richtlinien aufgeführt sind.

## 1.6. Verpackungsinformation

- Die Verpackungsmaterialien des Produkts werden aus wiederverwertbaren Materialien entsprechend unserer nationalen Umweltverordnungen gefertigt. Die Verpackungsmaterialien dürfen nicht zusammen mit dem Hausmüll oder anderen Abfällen entsorgt werden. Informationen für die hierfür vorgesehenen Sammelstellen erhalten Sie von den lokalen Behörden.

## 2 Ihr Kühlschrank/Gefrierschrank



- |                                 |                                |
|---------------------------------|--------------------------------|
| 1. Anzeigetafel                 | 7. Flaschenregale              |
| 2. Butter & Käseschnitte        | 8. Einstellbare Vorderfüße     |
| 3. Wasserspender Befüllbehälter | 9. Chiller                     |
| 4. Egg Abschnitt                | 10. Chiller Abdeckung und Glas |
| 5. Wasserspender Reservoir      | 11. Bewegliche Regale          |
| 6. Verstellbare Türablagen      | 12. Weinkeller                 |

**\*OPTIONAL**



Abbildungen und Angaben in dieser Anleitung sind schematisch und können etwas von Ihrem Produkt abweichen. Wenn die Teile nicht im gekauften Produkt enthalten sind, gelten sie für andere Modelle.

## 3 Installation



### HINWEIS:

Der Hersteller haftet nicht, falls die Angaben in dieser Anleitung nicht berücksichtigt werden.

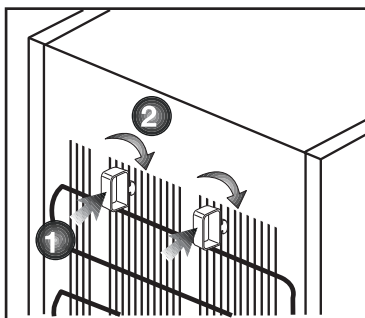
### 3.1. Wenn Sie den Kühlschrank versetzen möchten:

1. Ziehen Sie zuvor den Netzstecker. Der Kühlschrank sollte geleert und gesäubert werden, bevor Sie ihn transportieren oder versetzen.
2. Sichern Sie die beweglichen Teile im Inneren (z. B. Ablagen, Zubehör, Gemüsefach etc.) vor dem Verpacken mit Klebeband, schützen Sie solche Teile vor Stößen. Umwickeln Sie die Verpackung mit kräftigem Klebeband oder stabilen Schnüren, beachten Sie die Transporthinweise auf der Verpackung.
3. Originalverpackung und Schaumstoffmaterialien sollten zum zukünftigen Transport des Gerätes aufbewahrt werden.

### 3.2. Vor dem Einschalten

Beachten Sie Folgendes, bevor Sie Ihren Kühlschrank benutzen:

1. Bringen Sie die beiden Kunststoffkeile wie nachstehend abgebildet an. Die Kunststoffkeile sorgen für den nötigen Abstand zwischen Kühlschrank und Wand, damit die Luft frei zirkulieren kann. (Die Abbildung dient lediglich zur Orientierung und kann daher etwas von Ihrem Gerät abweichen.)
2. Bitte bringen Sie die beiden Kunststoffkeile wie in der Abbildung gezeigt an. Die Kunststoffkeile sorgen für den richtigen Abstand zwischen Kühlschrank und Wand – und damit für die richtige Luftzirkulation.



(Die Abbildung dient lediglich zur Orientierung und muss nicht exakt mit Ihrem Gerät übereinstimmen.)

3. Reinigen Sie das Innere des Kühlschranks wie im Abschnitt „Wartung und Reinigung“ beschrieben.
4. Schließen Sie den Netzstecker des Kühlschranks an eine Steckdose an. Beim Öffnen der Tür leuchtet die Innenbeleuchtung auf.
5. Beim Anspringen des Kompressors sind Geräusche zu hören. Die Flüssigkeiten und Gase im Kühlsystem können auch leichte Geräusche erzeugen, wenn der Kompressor nicht läuft. Dies ist völlig normal.
6. Die Vorderkanten des Kühlgerätes können sich warm anfühlen. Dies ist normal. Diese Bereiche wärmen sich etwas auf, damit sich kein Kondenswasser bildet.

## Installation

- Der Kondensator Ihres Geräts befindet sich an der Rückseite, siehe unten. Um eine höhere Energieeffizienz mit gesenktem Stromverbrauch zu erzielen, ziehen Sie den Kondensator bitte zu sich heran, wie im Bild unten dargestellt. Die Kondensatorstellung wird durch einen Verriegelungsmechanismus an den oberen Halterungen auf jeder Seite fest verankert.

\* OPTIONAL





### 3.3. Elektrischer Anschluss

Schließen Sie das Gerät an eine geerdete (Schuko-) Steckdose an. Diese Steckdose muss mit einer passenden Sicherung abgesichert werden.

Wichtig:

- Der Anschluss muss gemäß lokaler Vorschriften erfolgen.
- Der Netzstecker muss nach der Installation frei zugänglich bleiben.
- Die elektrische Sicherheit des Gerätes ist nur dann gewährleistet, wenn das hausinterne Erdungssystem den zutreffenden Normen entspricht.
- Die auf dem Typenschild an der linken Innenwand des Gerätes angegebene Spannung muss mit Ihrer Netzspannung übereinstimmen.

- **Zum Anschluss dürfen keine Verlängerungskabel oder Mehrfachsteckdosen verwendet werden.**

	<b>HINWEIS:</b> Ein beschädigtes Netzkabel muss unverzüglich durch einen qualifizierten Elektriker ausgetauscht werden.
	<b>HINWEIS:</b> Das Gerät darf vor Abschluss der Reparaturen nicht mehr betrieben werden! Es besteht Stromschlaggefahr!

### 3.4. Verpackungsmaterialien entsorgen

Das Verpackungsmaterial kann eine Gefahr für Kinder darstellen. Halten Sie Verpackungsmaterialien von Kindern fern oder entsorgen Sie das Verpackungsmaterial gemäß gültigen Entsorgungsbestimmungen. Entsorgen Sie das Verpackungsmaterial über geeignete Sammelstellen (Ihre Stadtverwaltung informiert Sie gerne), nicht über den regulären Hausmüll.

Die Verpackung Ihres Gerätes wurde aus recyclingfähigen Materialien hergestellt.

### 3.5. Altgeräte entsorgen

Entsorgen Sie Altgeräte auf umweltfreundliche Weise.

- Bei Fragen zur richtigen Entsorgung wenden Sie sich bitte an Ihren Händler, an eine Sammelstelle oder an Ihre Stadtverwaltung.

Bevor Sie das Gerät entsorgen, schneiden Sie den Netzstecker ab und machen die Türverschlüsse (sofern vorhanden) unbrauchbar, damit Kinder nicht in Gefahr gebracht werden.

### 3.6. Aufstellung und Installation



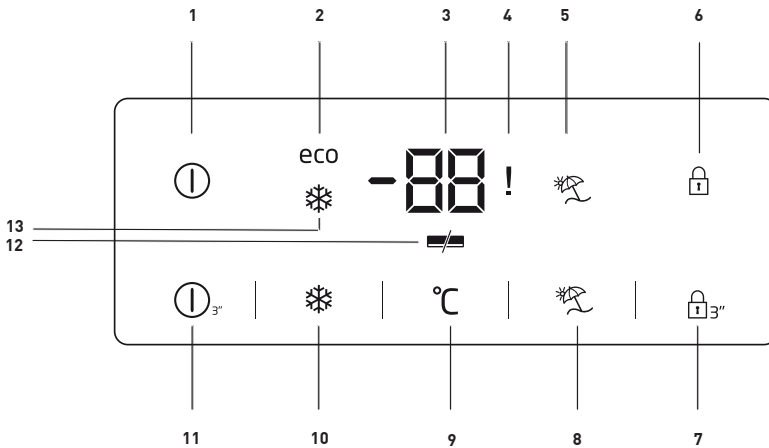
**HINWEIS:** : Falls die Türbreite nicht breit genug ist, um das Gerät durchzuführen, heben Sie die Tür des Geräts aus und versuchen Sie es seitlich durch zuschieben; falls dies auch nicht funktioniert, wenden Sie sich an den Kundendienst.

1. Stellen Sie Ihren Kühlschrank an einer gut erreichbaren Stelle auf.
2. Platzieren Sie den Kühlschrank nicht in der Nähe von Wärmequellen oder dort, wo er Feuchtigkeit oder direktem Sonnenlicht ausgesetzt ist.
3. Damit das Gerät richtig arbeiten kann, müssen Sie ausreichend Platz um das Gerät herum freilassen, damit eine ordentliche Belüftung gewährleistet ist. Wenn Sie den Kühlschrank in einer Nische aufstellen, müssen Sie einen Abstand von mindestens 5 cm zur Decke und 5 cm zu den Wänden einhalten. Stellen Sie das Gerät nicht auf Materialien wie Teppichen oder Teppichböden auf.
4. Stellen Sie Ihren Kühlschrank auf einem ebenen Untergrund auf, damit er nicht wackelt.

## 4 Vorbereitung

- Ihr Kühlschrank / Gefrierschrank sollte mindestens 30 cm von Hitzequellen wie Kochstellen, Öfen, Heizungen, Herden und ähnlichen Einrichtungen aufgestellt werden. Halten Sie mindestens 5 cm Abstand zu Elektroöfen ein, vermeiden Sie die Aufstellung im direkten Sonnenlicht.
- Die Zimmertemperatur des Raumes, in dem der Kühlschrank / Gefrierschrank aufgestellt wird, sollte mindestens 5 °C betragen. Im Hinblick auf den Wirkungsgrad ist der Betrieb des Kühlschrank / Gefrierschranks bei geringerer Umgebungstemperatur nicht ratsam.
- Sorgen Sie dafür, dass das Innere Ihres Kühlschrank / Gefrierschranks gründlich gereinigt wird.
- Falls zwei Kühlschränke nebeneinander platziert werden sollen, achten Sie darauf, dass sie mindestens 2 cm voneinander entfernt aufgestellt werden.
- Wenn Sie den Kühlschrank / Gefrierschrank zum ersten Mal in Betrieb nehmen, halten Sie sich bitte an die folgenden Anweisungen für die ersten sechs Betriebsstunden.
- Die Kühlschrank / Gefrierschrankschranktür sollte nicht zu häufig geöffnet werden.
- Der Kühlschrank / Gefrierschrank muss zunächst vollständig leer arbeiten.
- Ziehen Sie nicht den Netzstecker. Falls der Strom ausfallen sollte, beachten Sie die Warnhinweise im Abschnitt „Empfehlungen zur Problemlösung“.
- Originalverpackung und Schaumstoffmaterialien sollten zum zukünftigen Transport des Gerätes aufbewahrt werden.
- Bei einigen Modellen schaltet sich das Armaturenbrett 5 Minuten nach dem Schließen der Tür automatisch ab. Es schaltet sich wieder an, wenn die Tür geöffnet wurde oder indem man auf einen beliebigen Schalter drückt.
- Temperaturschwankungen aufgrund des Öffnens/Schließens der Kühlschranktür können zur Kondensation an den Böden in der Tür und im Kühlschrankinnern sowie an den Glasbehältern führen.

## 5 Nutzung des Kühlschranks/Gefrierschranks



### 1. Ein/Aus-Anzeige:

Dieses Symbol (ⓘ) leuchtet, wenn der Kühlbereich abgeschaltet ist. Alle anderen Symbole erlöschen.

### 2. Energiesparanzeige:

Dieses Symbol (eco) leuchtet, denn der Kühlbereich auf den ökonomischsten Wert von 8 °C eingestellt ist. Die Energiesparanzeige erlischt, wenn Sie Schnellkühlen oder Schnellgefrieren zuschalten.

### 3. Kühlbereich-Temperatureinstellungsanzeige:

Zeigt die für den Kühlbereich eingestellte Temperatur an.

### 4. Stromausfall-/Hochtemperatur-/Fehler-Warnanzeige

Diese Leuchte (!) signalisiert einen Stromausfall, zu hohe Innentemperaturen und sonstige Fehler. Bei längeren Stromausfällen blinkt die höchste Temperatur, die der Kühlbereich erreichen kann, in der digitalen Anzeige.

### 5. Urlaub-Anzeige:

Dieses Symbol (☀) leuchtet bei aktiver Urlaubsfunktion auf.

### 6. Tastensperre-Anzeige

Dieses Symbol (Ⓛ) leuchtet bei aktiver Tastensperre.




Abbildungen und Angaben in dieser Anleitung sind schematisch und können etwas von Ihrem Produkt abweichen. Wenn die Teile nicht im gekauften Produkt enthalten sind, gelten sie für andere Modelle.




# Nutzung des Kühlschranks/Gefrierschranks

## 7. Tastensperre:


Halten Sie die Tastensperre-Taste () 3 Sekunden lang gedrückt. Das Tastensperre-Symbol leuchtet auf, die Tastensperre ist aktiv. Bei aktiver Tastensperre reagiert das Gerät nicht auf Tastenbetätigungen. Halten Sie die Tastensperre-Taste erneut 3 Sekunden lang gedrückt. Das Tastensperre-Symbol erlischt, die Tastensperre wird abgeschaltet.

## 8. Urlaubsfunktion:


Wenn Sie die Urlaubstaste drücken, wird die Urlaubsfunktion () aktiviert und die Urlaubsanzeige leuchtet. Diese Funktion empfiehlt sich, wenn Sie Ihren Kühlschrank längere Zeit nicht benutzen. Achten Sie darauf, dass sich keine Lebensmittel in Ihrem Kühlschrank befinden; im Urlaubsmodus kann der Kühlschrank Ihre Lebensmittel nicht frisch halten.

Wenn diese Funktion aktiv ist, wird die Temperatur des Kühlbereiches bei 15 °C gehalten, damit sich keine unangenehmen Gerüche bilden. Zum Abschalten der Urlaubsfunktion drücken Sie die Urlaubstaste noch einmal.

## 9. Kühltemperatur einstellen::


Mit dieser Funktion () geben Sie die Temperatur des Kühlbereiches vor. Durch mehrmaliges Drücken dieser Taste stellen Sie die Kühlbereichtemperatur auf 8 °, 7 °, 6 °, 5 °, 4 °, 3 ° oder 1 °C ein.

## 10. Schnellkühlen:


Die Schnellkühlanzeige () leuchtet bei aktiver Schnellkühlfunktion auf. Zum Aufheben dieser Funktion drücken Sie die Schnellkühltaste noch einmal. Die Schnellkühlanzeige erlischt, das Gerät

wechselt wieder zum Normalbetrieb. Wenn Sie die Schnellkühlfunktion nicht manuell aufheben, wird sie nach 1 Stunde automatisch beendet. Möchten Sie große Mengen frischer Lebensmittel kühlen, drücken Sie die Schnellkühltaste, bevor Sie die Lebensmittel in den Kühlbereich geben.

## 11. Ein/Aus-Funktion

Diese Funktion () ermöglicht bei 3-sekündiger Betätigung die Abschaltung des Kühlbereiches. Der Kühlbereich kann wieder eingeschaltet werden, indem Sie die Ein-/Austaste erneut 3 Sekunden gedrückt halten.

## 12. Energiesparsymbol:

Falls die Gerätetüren lange Zeit geschlossen bleiben, wird die Energiesparfunktion automatisch aktiviert und das Energiesparsymbol leuchtet. ()

Bei aktiver Energiesparfunktion erlöschen sämtliche Display-Symbole mit Ausnahme des Energiesparsymbols. Die Energiesparfunktion wird aufgehoben, sobald Tasten betätigt werden oder die Tür geöffnet wird. Das Display zeigt wieder die normalen Symbole.

Die Energiesparfunktion wird während der Lieferung ab Werk aktiviert und kann nicht aufgehoben werden.

## 13. Schnellkühlenanzeige:

Dieses Symbol () leuchtet, wenn die Schnellgefrierfunktion aktiviert ist.

# Nutzung des Kühlschranks/Gefrierschranks

## 5.1. Doppeltes Kühlsystem

Ihr Kühlgerät ist mit zwei getrennten Kühlsystemen für Kühl- und Tiefkühlbereich ausgestattet. Dadurch vermischte sich die Luft im Kühlbereich nicht mit der Luft im Tiefkühlbereich. Durch die Trennung der Kühlsysteme kühlt Ihr Gerät erheblich schneller als viele andere Kühlgeräte. Auch die Gerüche der beiden Kühlbereiche bleiben getrennt. Darüber hinaus sparen Sie Energie, da auch das Abtauen getrennt erfolgt.

## 5.2. Frische Lebensmittel tiefkühlen

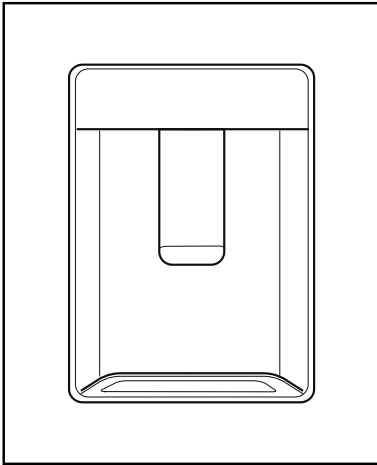
- Achten Sie darauf, Lebensmittel vor dem Einlagern im Kühlschrank einzuwickeln oder abzudecken. Heiße Speisen müssen auf Raumtemperatur abgekühlt sein, ehe sie in den Kühlschrank gegeben werden.
  - Lebensmittel, die Sie einfrieren möchten, sollten frisch und von guter Qualität sein.
  - Verteilen Sie die Lebensmittel / Gerichte auf familienfreundliche oder anderweitig sinnvolle Portionen.
  - Lebensmittel sollten luftdicht verpackt sein, damit sie nicht austrocknen. Dies gilt auch dann, wenn Sie Lebensmittel nur kurze Zeit lagern möchten.
  - Verpackungsmaterialien müssen luftdicht und gegen Kälte und Feuchtigkeit beständig sein. Lebensmittelverpackungen sollten ausreichend dick und stabil sein. Andernfalls kann es vorkommen, dass Lebensmittel beim Gefrieren die Verpackung durchstoßen. Achten Sie grundsätzlich darauf, dass die Verpackung richtig versiegelt wird, damit Lebensmittel maximal lange haltbar bleiben.
- Verbrauchen Sie eingefrorene Lebensmittel direkt nach dem Auftauen, frieren Sie sie nicht wieder ein.
  - Bitte beachten Sie die folgenden Hinweise, um beste Resultate zu erzielen.
    1. Wenn Ihr Kühlgerät mit einer Schnellgefrierfunktion ausgestattet ist, nutzen Sie diese zum schnellen Einfrieren.
    2. Frieren Sie nicht zu große Mengen auf einmal ein. Die Qualität der Lebensmittel bleibt am besten erhalten, wenn sie so schnell wie möglich bis in den Kern tiefgekühlt werden.
    3. Achten Sie besonders darauf, bereits tiefgekühlte und frische Speisen nicht zu vermischen.
    4. Achten Sie darauf, dass rohe Lebensmittel keine gekochten Lebensmitteln im Kühlbereich berühren.

# Nutzung des Kühlschranks/Gefrierschranks

## Wasserspender

### (bei bestimmten Modellen)

Der Wasserspender ist eine praktische Einrichtung, mit der Sie kühles Wasser zapfen können, ohne dabei die Tür Ihres Kühlschranks/ Gefrierschranks öffnen zu müssen. Da Sie die Tür des Gerätes nicht häufig öffnen müssen, sparen Sie eine Menge Energie.



### So benutzen Sie den Wasserspender

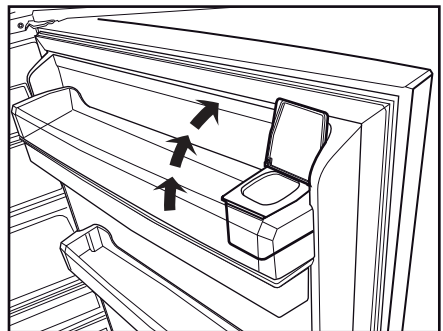
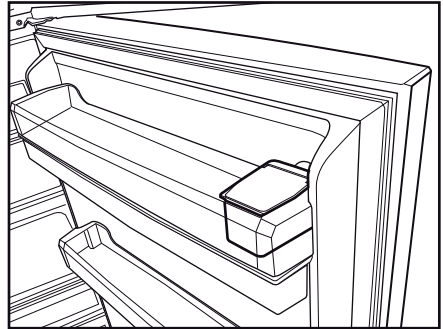
Drücken Sie mit dem Glas gegen den Hebel des Wasserspenders. Die Wasserausgabe stoppt, sobald der Hebel losgelassen wird.

Den schnellsten Durchfluss erreichen Sie, wenn Sie den Hebel komplett eindrücken. Denken Sie daran, dass die Stärke des Wasserdurchflusses davon abhängt, wie weit der Hebel eindrückt wird.

Geben Sie den Hebel langsam wieder frei, sobald das Glas fast vollständig gefüllt ist, damit nichts überläuft. Das Wasser tritt nur tropfenweise aus, wenn Sie den Hebel nur leicht betätigen; dies ist völlig normal.

## Wasserbehälter füllen

Der Wassertank befindet sich an der Innenseite der Türablage. Öffnen Sie die Abdeckung des Behälters, füllen Sie Trinkwasser ein. Schließen Sie anschließend den Deckel.



## Warnung!

- Füllen Sie den Wassertank nur mit sauberem Trinkwasser, nicht mit anderen Flüssigkeiten gleich welcher Art. Falls andere Flüssigkeiten eingefüllt werden, kann der Wasserspender irreparabel beschädigt werden. Solche Beschädigungen werden nicht durch die Garantie abgedeckt. Viele Flüssigkeiten und Getränke enthalten Zusätze, die das Material des Wassertanks angreifen können.
- Nutzen Sie ausschließlich klares Trinkwasser.
- Die Kapazität des Wassertanks beträgt 3 Liter; füllen Sie nicht mehr hinein.

# Nutzung des Kühlschranks/Gefrierschranks

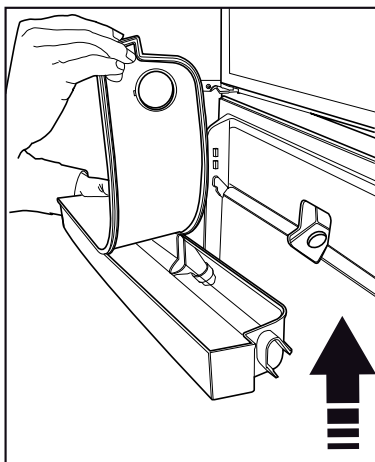
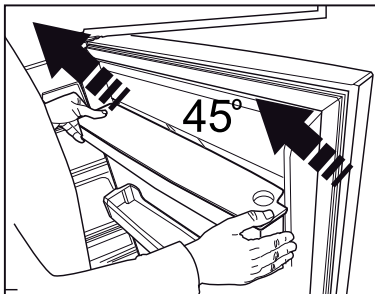
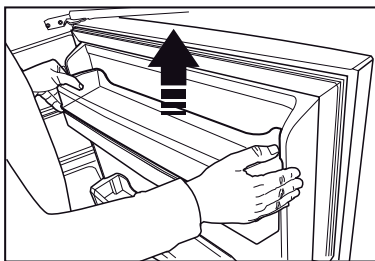
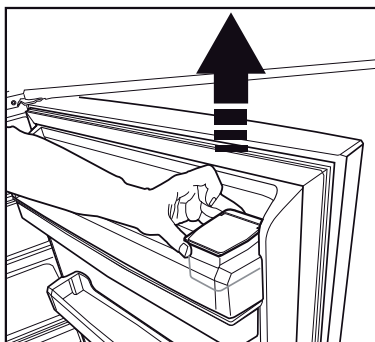
- Drücken Sie mit einem haltbaren Glas gegen den Hebel des Wasserspenders. Falls Sie Einwegbecher verwenden, betätigen Sie den Hebel mit dem Finger.

## Wassertank reinigen

- Entfernen Sie den Füllbehälter auf der Innenseite der Türablage.
- Entfernen Sie die Türablage, indem Sie diese an beiden Seiten greifen.
- Greifen Sie den Wassertank an beiden Seiten und entfernen ihn in einem Winkel von 45 °C.
- Öffnen Sie die Abdeckung und reinigen den Wassertank.

## Wichtig:

Die Komponenten des Wasserspenders und des Wassertanks sollten nicht in der Spülmaschine gereinigt werden.



# Nutzung des Kühlschranks/Gefrierschranks

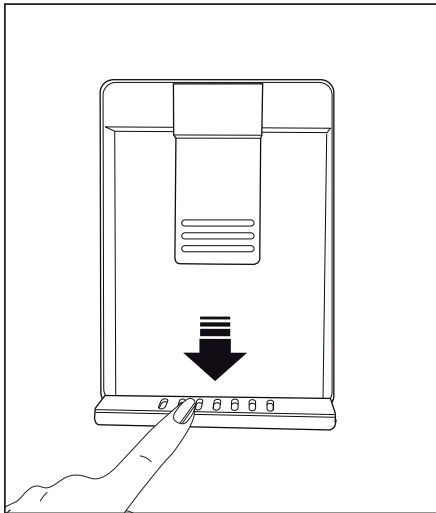
## Tropfschale

Wasser, das bei der Nutzung des Wasserspenders heruntertropft, sammelt sich in der Tropfschale.

Nehmen Sie das Kunststoffsieb wie in der Abbildung gezeigt heraus.

Entfernen Sie angesammeltes Wasser mit einem sauberen, trockenen Tuch.

**Achtung:** Nur an Trinkwasserleitungen anschließen.



# Nutzung des Kühlschranks/Gefrierschranks

Tiefkühlbereich-einstellung	Kühlbereich-einstellung	Anmerkungen
-18 °C	4 °C	Dies ist die allgemein empfohlene Einstellung.
-20, -22 oder -24 °C	4 °C	Diese Einstellungen empfehlen wir bei Umgebungstemperaturen über 30 °C.
Schnellgefrieren	4 °C	Diese Funktion nutzen Sie zum Einfrieren von Lebensmitteln in kurzer Zeit. Auf diese Weise bleibt die Qualität möglichst schonend erhalten; dies gilt insbesondere für Fleisch und Fisch.
-18 °C und kälter	2 °C	Halten Sie sich an diese Einstellung, falls Sie meinen, dass der Kühlbereich aufgrund zu hoher Außentemperatur, der Nähe zu Wärmequellen oder zu häufiges Öffnen und Schließen der Kühlschranktür nicht kalt genug wird.
-18 °C und kälter	Schnellkühlen	Verwenden Sie diese Einstellung, wenn der Kühlbereich überladen ist oder Sie die Inhalte schneller abkühlen möchten. Wir empfehlen, die Schnellgefrierfunktion 4 bis 8 Stunden vor dem Einlagern frischer Lebensmittel einzuschalten.

## 5.3. Empfehlungen zur Konservierung gefrorener Lebensmittel

- Handelsübliche, verpackte Tiefkühlkost sollte gemäß den Hinweisen des Herstellers zur Lagerung in Tiefkühlfächern gelagert werden.

- Um besonders gute Ergebnisse zu erzielen und zu erhalten, sollten Sie Folgendes berücksichtigen:

1. Geben Sie Lebensmittel so schnell wie möglich nach dem Kauf in den Tiefkühlbereich.

2. Sorgen Sie dafür, dass sämtliche Lebensmittel beschriftet und mit einem Datum versehen werden.

3. Achten Sie darauf, dass das Mindesthaltbarkeitsdatum auf der Verpackung nicht überschritten wird.

## Abtauen

Der Tiefkühlbereich taut automatisch ab.

## 5.4. Lebensmittel platzieren

Tiefkühlbereich-Ablagen	Verschiedene gefrorene Lebensmittel wie Fleisch, Fisch, Speiseeis, Gemüse etc.
Eierbehälter	Eier
Kühlbereich-Ablagen	Lebensmittel in Pfannen, Töpfen, auf abgedeckten Tellern, in geschlossenen Behältern
Kühlbereich-Türablagen	Kleine, verpackte Lebensmittelprodukte oder Getränke (zum Beispiel Milch, Saft oder Bier)
Gemüsefach	Gemüse und Früchte

Frischefach

Milch- und Wurstprodukte  
(Käse, Butter, Salami und  
dergleichen)

## 5.5. Hinweise zum Tiefkühlen

Lebensmittel sollten schnellstmöglich eingefroren werden, damit sie nicht an Qualität verlieren.

Sie können die Frische Ihrer Lebensmittel viele Monate bewahren (bei einer Tiefkühlbereichtemperatur von maximal -18 °C).



**HINWEIS:** Verteilen Sie die Lebensmittel / Gerichte auf familienfreundliche oder anderweitig sinnvolle Portionen

## 5.6. Tür-offen-Warnung

Ein Signal ertönt, wenn die Tür des Kühlschranks / Gefrierschranks oder des Tiefkühlfachs für eine bestimmte Zeit geöffnet bleibt. Dieses Tonsignal verstummt, sobald Sie eine beliebige Taste drücken oder die Tür wieder schließen.

## 5.7. Wechseln des Türanschlags

Der Türanschlag des Gerätes kann nur von einem Fachmann durchgeführt werden. Bei Bedarf wenden Sie sich bitte an unsere Service-Hotline. Der Einsatz des Servicetechnikers ist kostenpflichtig.

- Lebensmittel sollten luftdicht verpackt sein, damit sie nicht austrocknen. Dies gilt auch dann, wenn Sie Lebensmittel nur kurze Zeit lagern möchten.
- Benötigtes Verpackungsmaterial:
- Kältebeständiges Klebeband
- Selbstklebende Etiketten
- Gummiringe
- Stift

Geeignete Verpackungsmaterialien müssen reißfest und unempfindlich gegenüber Kälte, Feuchtigkeit, Gerüchen, Ölen und Säuren sein.

Einzufrierende Lebensmittel sollten keinen direkten Kontakt zu bereits gefrorenen Lebensmitteln haben, damit diese nicht antauen. Angetaute Lebensmittel müssen so schnell wie möglich verbraucht, dürfen nicht wieder eingefroren werden.

Eine regelmäßige Reinigung erhöht die Lebensdauer des Geräts.



**HINWEIS:**

Trennen Sie Ihren Kühlschrank vor der Reinigung vom Netz.

- Verwenden Sie zur Reinigung auf keinen Fall scharfen oder spitzen Gegenstände, Seife, Hausreinigungsmittel, Reinigungsmittel, Gas, Benzin, Lack u. Ä.
- Schütten Sie ein Teelöffel Karbonat in einen halben Liter Wasser. Nehmen Sie ein Tuch, tauchen Sie es in diese Flüssigkeit und wringen Sie es gut kräftig. Wischen Sie mit diesem Tuch das Innere des Geräts und trocknen Sie es gründlich.
- Achten Sie darauf, dass das Gehäuse der Leuchte und sonstige elektrischen Teile nicht mit Wasser in Berührung kommen.
- Reinigen Sie die Tür mit einem feuchten Tuch. Entnehmen Sie den Inhalt vom Innenraum und den Türen. Entfernen Sie die Regale nach oben hebend. Nach der Reinigung und dem Trocknen legen Sie es wieder ein, indem Sie es nach unten schieben.
- Verwenden Sie auf keinen Fall bei der Reinigung der Außenfläche des Geräts und den verchromten Teilen chlorhaltigem Wasser oder Reinigungsmittel. Chlor führt bei dieser Art von Oberflächen zur Verrostungen.

### 6.1. Vermeidung von schlechtem Geruch

Bei der Herstellung Ihres Geräts wurden keinerlei Materialien verwendet, die Geruch verursachen könnten. Jedoch können aufgrund von ungeeigneter Lagerung von Lebensmitteln und unsachgemäßer Reinigung der Innenseite Gerüche entstehen.

Zur Vermeidung dieses Problems reinigen Sie es regelmäßig alle 15 Tage.

- Bewahren Sie die Speisen in geschlossenen Behältern auf. Lebensmittel, die in offenen Behältern aufbewahrt werden, können durch die Verbreitung von Mikroorganismen Gerüche verursachen.
- Keine Lebensmittel deren Aufbewahrungsdauer abgelaufen ist im Kühlschrank aufbewahren.

### 6.2. Schutz von Kunststoffoberflächen

Das Ausschütten von Öl kann den Kunststoffoberflächen Schaden zufügen, daher sollte hier mit lauwarmem Wasser gereinigt werden.



Bitte arbeiten Sie diese Liste durch, bevor Sie sich an den Kundendienst wenden. Dies kann Ihnen Zeit und Geld sparen. In der Liste finden Sie häufiger auftretende Probleme, die nicht auf Verarbeitungs- oder Materialfehler zurückzuführen sind. Nicht alle hier beschriebenen Funktionen sind bei jedem Modell verfügbar.

## Der Kühlschrank arbeitet nicht.

- Der Netzstecker ist nicht richtig eingesteckt. >>> Stecken Sie den Netzstecker bis zum Anschlag in die Steckdose.
- Die entsprechende Haussicherung ist herausgesprungen oder durchgebrannt. >>> Überprüfen Sie die Sicherung.

## Kondensation an den Seitenwänden des Kühlbereiches (Multizone, Kühlkontrolle und FlexiZone).

- Die Tür wurde häufig geöffnet. >>> Verzichten Sie auf häufiges Öffnen der Kühlschranktür.
- Die Luftfeuchtigkeit in der Umgebung ist zu hoch. >>> Stellen Sie Ihren Kühlschrank nicht an Orten mit hoher Luftfeuchtigkeit auf.
- Lebensmittel mit hohem Flüssigkeitsanteil werden in offenen Behältern aufbewahrt. >>> Bewahren Sie Lebensmittel mit hohem Flüssigkeitsanteil nicht in offenen Behältern auf.
- Die Kühlschranktür steht offen. >>> Schließen Sie die Kühlschranktür.
- Das Thermostat ist auf eine sehr geringe Temperatur eingestellt. >>> Stellen Sie das Thermostat entsprechend nach.

## Der Kompressor läuft nicht.

- Eine Schutzschaltung stoppt den Kompressor bei kurzzeitigen Unterbrechungen der Stromversorgung und wenn das Gerät zu oft und schnell ein- und ausgeschaltet wird, da der Druck des Kühlmittels eine Weile lang ausgeglichen werden muss. Der Kühlschrank beginnt nach etwa sechs Minuten wieder zu arbeiten. Bitte wenden Sie sich an den Kundendienst, falls Ihr Kühlschrank nach Ablauf dieser Zeit nicht wieder zu arbeiten beginnt.
- Der Kühlschrank taut ab. >>> Dies ist bei einem vollautomatisch abtauenden Kühlschrank völlig normal. Das Gerät taut von Zeit zu Zeit ab.
- Der Netzstecker ist nicht eingesteckt. >>> Überprüfen Sie, ob der Netzstecker richtig eingesteckt wurde.
- Die Temperatur ist nicht richtig eingestellt. >>> Wählen Sie eine geeignete Temperatur.
- Der Strom ist ausgefallen. >>> Sobald die Stromversorgung wiederhergestellt ist, nimmt der Kühlschrank den Betrieb wieder auf.

## Problemlösung

Das Betriebsgeräusch nimmt zu, wenn der Kühlschrank arbeitet.

- Das Leistungsverhalten des Kühlgerätes kann sich je nach Umgebungstemperatur ändern. Dies ist völlig normal und keine Fehlfunktion.

Der Kühlschrank arbeitet sehr intensiv oder über eine sehr lange Zeit.

- Ihr neues Gerät ist vielleicht etwas breiter als sein Vorgänger. Große Kühlgeräte arbeiten oft etwas länger.
- Die Umgebungstemperatur ist eventuell sehr hoch. >>> Bei hohen Umgebungstemperaturen arbeitet das Gerät etwas länger.
- Der Kühlschrank wurde möglicherweise erst vor Kurzem in Betrieb genommen oder mit Lebensmitteln gefüllt. >>> Wenn der Kühlschrank erst vor Kurzem in Betrieb genommen oder mit Lebensmitteln gefüllt wurde, dauert es einige Zeit, bis er die eingestellte Temperatur erreicht. Dies ist normal.
- Kurz zuvor wurden größere Mengen warmer Speisen in den Kühlschrank gestellt. >>> Geben Sie keine warmen oder gar heißen Speisen in den Kühlschrank.
- Die Türen wurden häufig geöffnet oder längere Zeit nicht richtig geschlossen. >>> Der Kühlschrank muss länger arbeiten, weil warme Luft in den Innenraum eingedrungen ist. Verzichten Sie auf häufiges Öffnen der Türen.
- Die Türen des Kühl- oder Tiefkühlbereiches wurden nicht richtig geschlossen. >>> Vergewissern Sie sich, dass die Türen richtig geschlossen wurden.
- Die Kühlschranktemperatur ist sehr niedrig eingestellt. >>> Stellen Sie die Kühlschranktemperatur höher ein. Warten Sie dann ab, bis die gewünschte Temperatur erreicht ist.
- Die Türdichtungen von Kühl- oder Gefrierbereich sind verschmutzt, verschlissen, beschädigt oder sitzen nicht richtig. >>> Reinigen oder ersetzen Sie die Dichtung. Beschädigte oder defekte Dichtungen führen dazu, dass der Kühlschrank länger arbeiten muss, um die Temperatur halten zu können.

Die Temperatur im Tiefkühlbereich ist sehr niedrig, während die Temperatur im Kühlbereich normal ist.

- Die Tiefkühltemperatur ist sehr niedrig eingestellt. >>> Stellen Sie die Tiefkühltemperatur wärmer ein, prüfen Sie die Temperatur nach einer Weile.

Die Temperatur im Kühlbereich ist sehr niedrig, während die Temperatur im Tiefkühlbereich normal ist.

- Die Kühltemperatur ist sehr niedrig eingestellt. >>> Stellen Sie die Kühlbereichtemperatur wärmer ein, prüfen Sie die Temperatur nach einer Weile.

Im Kühlbereich gelagerte Lebensmittel frieren ein.

- Die Kühltemperatur ist sehr niedrig eingestellt. >>> Wählen Sie eine höhere Kühlbereichtemperatur, prüfen Sie die Temperatur nach einer Weile.

## Problemlösung

Die Temperatur im Kühl- oder Tiefkühlbereich ist sehr hoch.

- Die Kühltemperatur ist sehr hoch eingestellt. >>> Die Kühlbereichtemperatur wirkt sich auf die Temperatur des Tiefkühlbereichs aus. Ändern Sie die Temperatur des Kühl- oder Tiefkühlbereichs und warten Sie, bis die entsprechenden Fächer eine geeignete Temperatur erreicht haben.
- Türen wurden häufig geöffnet oder längere Zeit nicht richtig geschlossen. >>> Verzichten Sie auf häufiges Öffnen der Türen.
- Die Tür steht offen. >>> Schließen Sie die Tür komplett.
- Der Kühlschrank wurde möglicherweise erst vor Kurzem in Betrieb genommen oder mit Lebensmitteln gefüllt. >>> Dies ist normal. Wenn der Kühlschrank erst vor Kurzem in Betrieb genommen oder mit Lebensmitteln gefüllt wurde, dauert es einige Zeit, bis er die eingestellte Temperatur erreicht.
- Kurz zuvor wurden größere Mengen warmer Speisen in den Kühlschrank gestellt. >>> Geben Sie keine warmen oder gar heißen Speisen in den Kühlschrank.

• Vibrationen oder Betriebsgeräusche.

- Der Boden ist nicht eben oder nicht stabil genug. >>> Falls der Kühlschrank bei leichten Bewegungen wackelt, gleichen Sie ihn mit Hilfe seiner Füße aus. Achten Sie außerdem darauf, dass der Boden eben ist und das Gewicht des Kühlschranks problemlos tragen kann.
- Gegenstände, die auf dem Kühlschrank abgestellt wurden, können Geräusche verursachen. >>> Nehmen Sie die Gegenstände vom Kühlschrank.

Fließ- oder Spritzgeräusche sind zu hören.

- Aus technischen Gründen bewegen sich Flüssigkeiten und Gase innerhalb des Gerätes. Dies ist völlig normal und keine Fehlfunktion.

Der Kühlschrank pfeift.

- Zum gleichmäßigen Kühlen werden Ventilatoren eingesetzt. Dies ist völlig normal und keine Fehlfunktion.

Kondensation an den Kühlschrankinnenflächen.

- Bei heißen und feuchten Wetterlagen treten verstärkt Eisbildung und Kondensation auf. Dies ist völlig normal und keine Fehlfunktion.
- Türen wurden häufig geöffnet oder längere Zeit nicht richtig geschlossen. >>> Verzichten Sie auf häufiges Öffnen der Türen. Schließen Sie geöffnete Türen.
- Die Tür steht offen. >>> Schließen Sie die Tür komplett.

Feuchtigkeit sammelt sich an der Außenseite des Kühlschranks oder an den Türen.

- Eventuell herrscht hohe Luftfeuchtigkeit; dies ist je nach Wetterlage völlig normal. Die Kondensation verschwindet, sobald die Feuchtigkeit abnimmt.

## Problemlösung

### Unangenehmer Geruch im Kühlschrank.

- Der Kühlschrank wurde nicht regelmäßig gereinigt. >>> Reinigen Sie das Innere des Kühlschranks regelmäßig mit einem Schwamm, den Sie mit lauwarmem Wasser oder einer Natron-Wasser-Lösung angefeuchtet haben.
- Bestimmte Behälter oder Verpackungsmaterialien verursachen den Geruch. >>> Verwenden Sie andere Behälter oder Verpackungsmaterial einer anderen Marke.
- Lebensmittel wurden in offenen Behältern in den Kühlschrank gegeben. >>> Lagern Sie Lebensmittel in geschlossenen Behältern. Mikroorganismen, die aus unverschlossenen Behältern entweichen, können üble Gerüche verursachen.
- Nehmen Sie Lebensmittel mit abgelaufenem Mindesthaltbarkeitsdatum sowie verdorbene Lebensmittel aus dem Kühlschrank.

### Die Tür lässt sich nicht schließen.

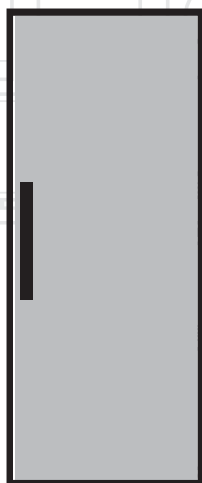
- Lebensmittelpackungen verhindern ein vollständiges Schließen der Tür. >>> Entfernen Sie die Verpackungen, welche die Tür blockieren.
- Der Kühlschrank steht nicht vollständig eben auf dem Boden. >>> Gleichen Sie den Kühlschrank mit Hilfe der FüÙe aus.
- Der Boden ist nicht eben oder nicht stabil genug. >>> Achten Sie darauf, dass der Boden eben ist und das Gewicht des Kühlschranks problemlos tragen kann.

### Das Gemüsefach klemmt.

- Lebensmittel berühren eventuell den oberen Teil der Schublade. >>> Ordnen Sie die Lebensmittel in der Schublade anders an.

# Réfrigérateur

## Manuel d'utilisation



| DE | FR | NL |

**beko**

## **Veillez d'abord lire ce manuel d'utilisation !**

Chère cliente, cher client,

Nous aimerions que vous soyez entièrement satisfait de notre appareil, fabriqué dans des infrastructures modernes et ayant fait l'objet d'un contrôle de qualité minutieux.

À cet effet, veuillez lire en intégralité le manuel d'utilisation avant d'utiliser cet appareil, et conservez-le pour références ultérieures. Si vous offrez cet appareil à une autre personne, remettez-lui également le manuel d'utilisation.

### **Le manuel d'utilisation garantit l'utilisation rapide et sécurisée du réfrigérateur.**

- Veuillez lire le manuel d'utilisation avant d'installer et d'utiliser le réfrigérateur,
- Respectez toujours les instructions de sécurité en vigueur,
- Tenez le manuel d'utilisation à portée pour références ultérieures,
- Veuillez lire tous les autres documents fournis avec l'appareil,

Veillez noter que ce manuel d'utilisation peut se rapporter à plusieurs modèles de cet appareil. Le manuel indique clairement toutes les différences entre les modèles.

#### Symboles et commentaires

Les symboles suivants sont utilisés dans le manuel d'utilisation :

	Informations importantes et renseignements utiles,
	Avertissement relatif aux conditions dangereuses pour la vie et la propriété,
	Risque d'électrocution,
	L'emballage de l'appareil a été fabriqué à partir de matériaux recyclables, conformément à la législation nationale en matière d'environnement,

## Table des matières

### **1 Instructions en matière de sécurité et d'environnement 3**

Sécurité générale.....	3
Utilisation prévue.....	6
Sécurité enfants.....	7
Conformité avec la directive DEEE et mise au rebut de votre ancien appareil	7
Conformité avec la directive RoHS .....	7
Informations relatives à l'emballage.....	7

### **2 Votre congélateur/ réfrigérateur 8**

### **3 Installation 9**

Éléments à prendre en considération lors du déplacement de votre réfrigérateur	9
Avant de mettre votre réfrigérateur en marche.....	9
Branchement électrique.....	10
Mise au rebut de l'emballage.....	10
Mise au rebut de votre ancien réfrigérateur.....	11
Disposition et Installation.....	11

### **4 Préparation 12**

### **5 Utilisation de l'appareil 13**

Système de réfrigération active dual cooling :.....	15
Congélation des produits frais.....	15
Recommandations concernant la conservation des aliments congelés..	16
Informations concernant la congélation.....	17

### **6 Entretien et nettoyage 21**

### **7 Dépannage 22**

## d'environnement

Cette section fournit les instructions de sécurité nécessaires à la prévention des risques de blessures ou de dommage matériel. Le non-respect de ces instructions annule tous les types de garantie de l'appareil.

### Utilisation préconisée

- Ce produit est prévu pour une utilisation
- en intérieur et dans des zones fermées telles que les maisons ;
- dans les environnements de travail fermées, tels que les magasins et les bureaux ;
- dans les lieux d'hébergement fermés, tels que les fermes, hôtels, pensions.
- Il ne doit pas être utilisé en extérieur.

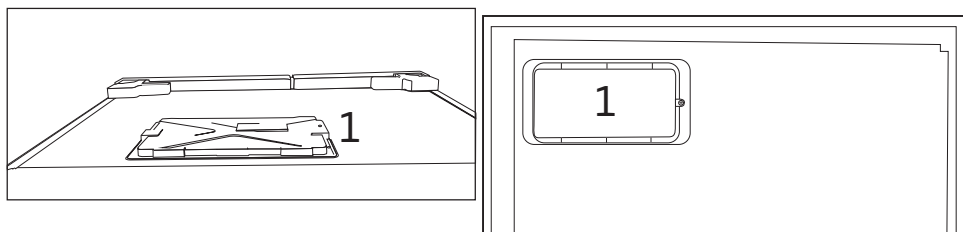
### 1.1. Sécurité générale

- Cet appareil ne doit pas être utilisé par des personnes atteintes de déficience physique, sensorielle ou mentale, des personnes sans connaissances suffisantes et inexpérimentées ou par des enfants. Il ne doit être utilisé par ces personnes que si elles sont supervisées ou sous les instructions d'une personne responsable de leur sécurité. Ne laissez pas les enfants jouer avec l'appareil.
- En cas de dysfonctionnement, débranchez l'appareil.
- Après avoir débranché l'appareil, patientez 5 minutes avant de le rebrancher. Débranchez l'appareil lorsqu'il n'est pas utilisé. Évitez de toucher le cordon d'alimentation avec des mains humides ! Ne le débranchez jamais en tirant le câble, mais plutôt en tenant la prise.



## Instructions en matière de sécurité et d'environnement

- Évitez de brancher le réfrigérateur lorsque la prise est instable.
- Débranchez l'appareil pendant l'installation, l'entretien, le nettoyage et la réparation.
- Si l'appareil ne sera pas utilisé pendant une longue période, débranchez-le et videz l'intérieur.
- N'utilisez pas la vapeur ou de matériel de nettoyage à vapeur pour nettoyer le réfrigérateur et faire fondre la glace. La vapeur peut atteindre les zones électrifiées et causer un court-circuit ou l'électrocution !
- Ne lavez pas l'appareil par pulvérisation ou aspersion d'eau ! Risque d'électrocution !
- Ne jamais utiliser le produit si la section située dans sa partie supérieure ou inférieure avec cartes de circuits imprimés électroniques à l'intérieur est ouverte (couvercle de cartes de circuits imprimés électroniques) (1).



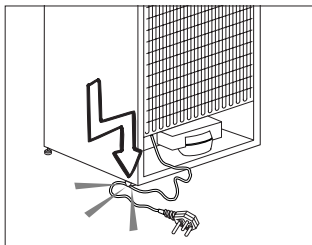
- En cas de dysfonctionnement, n'utilisez pas l'appareil car il peut entraîner une électrocution. Contactez le service agréé avant de procéder à toute intervention.

## Instructions en matière de sécurité et d'environnement

- Branchez votre appareil à une prise de mise à la terre. La mise à la terre doit être effectuée par un technicien qualifié.
- Si l'appareil possède un éclairage de type DEL, contactez le service agréé pour tout remplacement ou en cas de problème.
- Évitez de toucher les aliments congelés avec des mains humides ! Ils pourraient coller à vos mains !
- Ne placez pas de boissons en bouteille ou en canette dans le compartiment de congélation. Elles risquent d'exploser !
- Placez les boissons verticalement, dans des récipients convenablement fermés.
- Ne pulvérisez pas de substances contenant des gaz inflammables près du réfrigérateur pour éviter tout risque d'incendie et d'explosion.
- Ne conservez pas de substances et produits inflammables (vaporisateurs, etc.) dans le réfrigérateur.
- Ne placez pas de récipients contenant des liquides au-dessus du réfrigérateur. Les projections d'eau sur des pièces électrifiées peuvent entraîner des électrocutions et un risque d'incendie.
- L'exposition du produit à la pluie, à la neige, au soleil et au vent présente des risques pour la sécurité électrique. Quand vous transportez le réfrigérateur, ne le tenez pas par la poignée de la porte. Elle peut se casser.
- Évitez que votre main ou toute autre partie de votre corps ne se retrouve coincée dans les parties amovibles de l'appareil.

## Instructions en matière de sécurité et d'environnement

- Évitez de monter ou de vous appuyer contre la porte, les tiroirs ou toute autre partie du réfrigérateur. Cela peut faire tomber l'appareil et l'endommager.
- Évitez de coincer le câble d'alimentation.



### 1.1.1 Avertissement sur des fluides frigorigènes

Si votre réfrigérateur possède un système de refroidissement utilisant le gaz R600a, évitez d'endommager le système de refroidissement et sa tuyauterie pendant l'utilisation et le transport de l'appareil. Ce gaz est inflammable. Si le système de refroidissement est endommagé, éloignez l'appareil des flammes et aérez la pièce immédiatement.



L'étiquette sur la paroi intérieure gauche de l'appareil indique le type de gaz utilisé.

### 1.1.2 Pour les modèles avec distributeur d'eau reliés à l'eau courante

- La pression de l'eau froide à l'entrée ne doit pas excéder 90 psi (6,2 bar). Si votre pression d'eau dépasse 80 psi (5,5 bar), utilisez une soupape de limitation de pression sur votre réseau de conduite. Si vous ne savez pas comment vérifiez la pression de l'eau, demandez l'assistance d'un plombier professionnel.

## Instructions en matière de sécurité et d'environnement

- S'il existe un risque d'effet coup de bélier sur votre installation, utilisez systématiquement un équipement de protection contre l'effet coup de bélier sur celle-ci. Consultez des plombiers professionnels si vous n'êtes pas sûr de la présence de cet effet sur votre installation.
- Ne l'installez pas sur l'entrée d'eau chaude. Prenez des précautions contre le risque de congélation des tuyaux. L'intervalle de fonctionnement de la température des eaux doit être de 33 F (0,6°C) au moins et de 100 F (38 C) au plus.
- Utilisez uniquement de l'eau potable.

### 1.2. Utilisation prévue

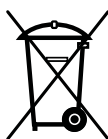
- Cet appareil est exclusivement conçu pour un usage domestique. Il n'est pas destiné à un usage commercial.
- Il doit être exclusivement utilisé pour le stockage des denrées et des boissons.
- Les produits qui nécessitent un contrôle de température précis (vaccins, médicaments sensibles à la chaleur, matériels médicaux, etc.) ne doivent pas être conservés dans le réfrigérateur.
- Le fabricant ne sera pas tenu responsable de tout dommage résultant d'une mauvaise utilisation ou manipulation.
- Les pièces détachées d'origine sont disponibles pendant 10 ans, à compter de la date d'achat du produit.

### 1.3. Sécurité enfants

- Conservez les matériaux d'emballage hors de la portée des enfants.
- Ne laissez pas les enfants jouer avec l'appareil.
- Si la porte de l'appareil est dotée d'une serrure, gardez la clé hors de la portée des enfants.

### 1.4. Conformité avec la directive DEEE et mise au rebut de votre ancien appareil

Cet appareil est conforme à la directive DEEE de l'Union européenne (2012/19/UE). Il porte un symbole de classification pour la mise au rebut des équipements électriques et électroniques (DEEE).



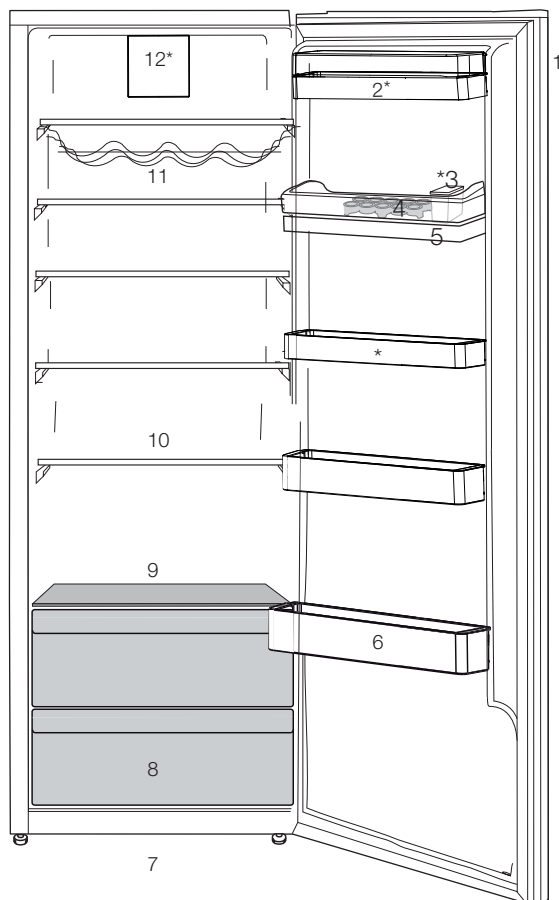
Le présent produit a été fabriqué avec des pièces et du matériel de qualité supérieure susceptibles d'être réutilisés et adaptés au recyclage. Ne le mettez pas au rebut avec les ordures ménagères et d'autres déchets à la fin de sa durée de vie. Rendez-vous dans un point de collecte pour le recyclage de tout matériel électrique et électronique. Rapprochez-vous des autorités de votre localité pour plus d'informations concernant ces points de collecte.

### 1.5. Conformité avec la directive RoHS

- Cet appareil est conforme à la directive DEEE de l'Union européenne (2011/65/UE). Il ne comporte pas les matériaux dangereux et interdits mentionnés dans la directive.

### 1.6. Informations relatives à l'emballage

- Les matériaux d'emballage de cet appareil sont fabriqués à partir de matériaux recyclables, conformément à nos réglementations nationales en matière d'environnement. Ne mettez pas les matériaux d'emballage au rebut avec les ordures ménagères et d'autres déchets. Amenez-les plutôt aux points de collecte des matériaux d'emballage, désignés par les autorités locales.



- |  |                                       |
|--|---------------------------------------|
| 1. Panneau Indicateur                          | 7. Étagères De Bouteilles             |
| 2. Sections De Beurre Et Fromage               | 8. Pieds Avant Réglables              |
| 3. Distributeur Réservoir D'eau De Remplissage | 9. Chiller                            |
| 4. Section Egg                                 | 10. Couverture De Chiller Et Le Verre |
| 5. Réservoir De Distribution De L'eau          | 11. Tablettes Amovibles               |
| 6. Balconnets Réglables                        | 12. Cave À Vin                        |

**\*EN OPTION**



Les illustrations présentées dans cette notice d'utilisation sont schématiques et peuvent ne pas correspondre exactement à votre produit. Si des pièces présentées ne sont pas comprises dans le produit que vous avez acheté, elles sont valables pour d'autres modèles.

## 3 Installation



### AVERTISSEMENT:

Dans l'hypothèse ou l'information contenue dans ce manuel n'a pas été prise en compte par l'utilisateur, le fabricant ne sera aucunement responsable en cas de problèmes.

### 3.1. Éléments à prendre en considération lors du déplacement de votre réfrigérateur

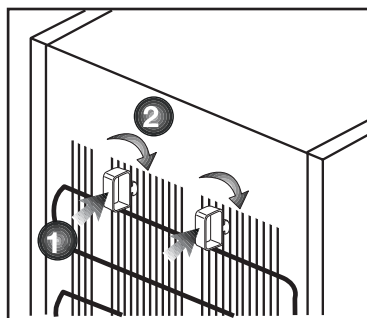
1. Votre réfrigérateur doit être débranché. Avant le transport de votre réfrigérateur, vous devez le vider et le nettoyer. Avant d'emballer votre réfrigérateur, vous devez fixer ses étagères, bac, accessoires, etc, avec du ruban adhésif afin de les protéger contre les chocs.
2. L'emballage doit être solidement attaché avec du ruban adhésif épais ou avec un cordage solide. La réglementation en matière de transport et de marquage de l'emballage doit être strictement respectée.
3. L'emballage et les matériaux de protection d'emballage doivent être conservés pour les éventuels transports ou déplacements à venir.

### 3.2. Avant de mettre votre réfrigérateur en marche

Vérifiez les points suivants avant de commencer à utiliser votre réfrigérateur

1. Fixez les câles en plastique tel qu'indiqué sur le schéma ci-dessous. Les câles en plastique servent à maintenir une distance permettant la circulation de l'air entre le réfrigérateur et le mur. (Cette image n'est donnée qu'à titre indicatif ; elle n'est pas identique à votre produit.)

2. Vous pouvez installer les 2 cales en plastique comme illustré dans le schéma. Les cales en plastique maintiendront la distance nécessaire entre votre Congélateur / réfrigérateur et le mur pour permettre une bonne circulation de l'air. (Le schéma présenté est fourni à titre indicatif et peut ne pas correspondre exactement avec votre produit.)

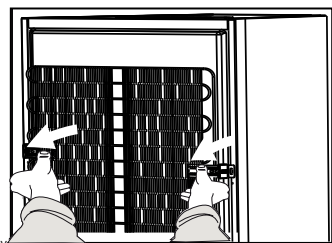


3. Nettoyez l'intérieur du réfrigérateur tel qu'indiqué dans la section « Entretien et nettoyage ».
4. Insérez la prise du réfrigérateur dans la prise murale. Lorsque la porte du réfrigérateur est ouverte, la lampe interne du réfrigérateur s'éclaire.
5. Lorsque le compresseur commence à fonctionner, il émettra un son. Le liquide et les gaz intégrés au système du réfrigérateur peuvent également faire du bruit, que le compresseur soit en marche ou non. Ceci est tout à fait normal.
6. Les parties antérieures du réfrigérateur peuvent chauffer. Ce phénomène est normal. Ces zones doivent en principe être chaudes pour éviter tout risque de condensation.

## Installation

- Le condenseur de votre appareil est situé à l'arrière, tel que l'indique le schéma ci-dessous. Pour garantir un meilleur rendement énergétique associé à une faible consommation de l'énergie, tirez le condenseur vers vous tel qu'indique le schéma ci-dessous. La position du condenseur sera fermement fixée aux moyens du mécanisme de verrouillage des supports supérieurs situés de part et d'autres de l'appareil.

### \* EN OPTION





### 3.3. Branchement électrique

Branchez votre réfrigérateur à une prise électrique protégée par un fusible ayant une capacité appropriée.

Important :

- Le branchement doit être conforme aux normes en vigueur sur le territoire national.
- La fiche du câble d'alimentation doit être facilement accessible après installation.
- La sécurité électrique du réfrigérateur n'est assurée que si le système de mise à la terre de votre domicile est conforme aux normes en vigueur.
- La tension indiquée sur l'étiquette située sur la paroi gauche interne de votre produit doit correspondre à celle fournie par votre réseau électrique.

- **Les rallonges et prises multivoies ne doivent pas être utilisés pour brancher l'appareil.**

	<b>AVERTISSEMENT:</b> Un câble d'alimentation endommagé doit être remplacé par un électricien qualifié.
	<b>AVERTISSEMENT:</b> L'appareil ne doit pas être mis en service avant d'être réparé ! Cette précaution permet d'éviter tout risque de choc électrique!

### 3.4. Mise au rebut de l'emballage

Les matériaux d'emballage peuvent être dangereux pour les enfants. Tenez les matériaux d'emballage hors de portée des enfants ou jetez-les conformément aux consignes établies par les autorités locales en matière de déchets. Ne les jetez pas avec les déchets domestiques, déposez-les dans les centres de collecte désignés par les autorités locales.

L'emballage de votre appareil est produit à partir de matériaux recyclables.



### 3.5. Mise au rebut de votre ancien réfrigérateur

Débarrassez-vous de votre ancien réfrigérateur sans nuire à l'environnement.

- Vous pouvez consulter le service après-vente agréé ou le centre chargé de la mise au rebut dans votre municipalité pour en savoir plus sur la mise au rebut de votre produit.

Avant de procéder à la mise au rebut de votre machine, coupez la prise électrique et, le cas échéant, tout verrouillage susceptible de se trouver sur la porte. Rendez-les inopérants afin de ne pas exposer les enfants à d'éventuels dangers.

### 3.6. Disposition et Installation



#### AVERTISSEMENT:

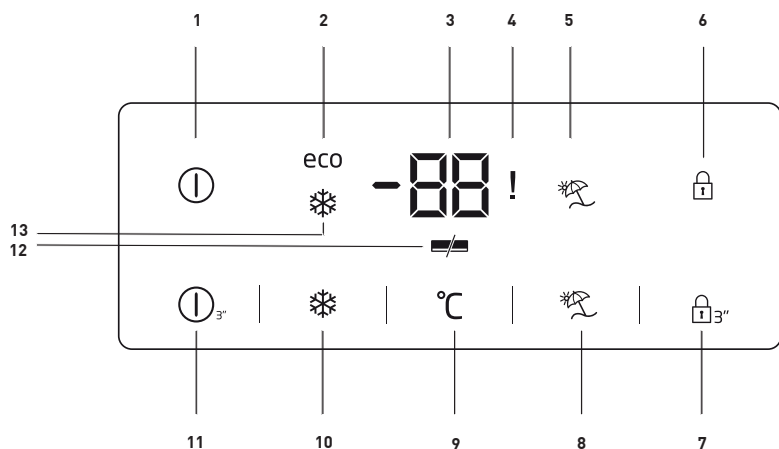
Si la porte d'entrée de la pièce où sera installé le réfrigérateur n'est pas assez large pour laisser passer le réfrigérateur, appelez le service après-vente qui retirera les portes du réfrigérateur et le fera entrer latéralement dans la pièce.

1. Installez le réfrigérateur dans un emplacement qui permette une utilisation pratique.
2. Maintenez le réfrigérateur éloigné de toutes sources de chaleur, des endroits humides et de la lumière directe du soleil.
3. Une ventilation d'air autour du réfrigérateur doit être aménagée pour obtenir un fonctionnement efficace. Si le réfrigérateur est placé dans un enfoncement du mur, il doit y avoir un espace d'au moins 5 cm avec le plafond et d'au moins 5 cm avec le mur. Ne placez pas l'appareil sur des revêtements tels qu'un tapis ou de la moquette.
4. Placez le réfrigérateur sur une surface plane afin d'éviter les à-coups.

## 4 Préparation

- Votre congélateur / réfrigérateur doit être installé à au moins 30 cm des sources de chaleur telles que les plaques de cuisson, les fours, appareils de chauffage ou cuisinières, et à au moins 5 cm des fours électriques. De même, il ne doit pas être exposé à la lumière directe du soleil.
- Veuillez vous assurer que l'intérieur de votre appareil est soigneusement nettoyé.
- La température ambiante de la pièce où vous installez le congélateur / réfrigérateur doit être d'au moins 5°C. Faire fonctionner l'appareil sous des températures inférieures n'est pas recommandé et pourrait nuire à son efficacité.
- Si deux congélateur / réfrigérateurs sont installés côte à côte, ils doivent être séparés par au moins 2 cm.
- Lorsque vous faites fonctionner le congélateur / réfrigérateur pour la première fois, assurez-vous de suivre les instructions suivantes pendant les six premières heures.
- La porte ne doit pas être ouverte fréquemment.
- Le congélateur / réfrigérateur doit fonctionner à vide, sans denrées à l'intérieur.
- Ne débranchez pas le congélateur / réfrigérateur. Si une panne de courant se produit, veuillez vous reporter aux avertissements dans la section « Solutions recommandées aux problèmes ».
- L'emballage et les matériaux de protection d'emballage doivent être conservés pour les éventuels transports ou déplacements à venir.
- Les paniers/tiroirs fournis avec le compartiment rafraîchissement doivent être utilisés de manière continue pour une consommation énergétique minimale et de meilleures conditions de conservation.
- Le contact entre le capteur de température et les denrées alimentaires à l'intérieur du compartiment de congélation peut augmenter la consommation énergétique de l'appareil. Pour cette raison, les contacts avec les capteurs doivent être évités.
- Dans certains modèles, le tableau de bord s'éteint automatiquement 5 minutes après la fermeture de la portière. Il est réactivé à l'ouverture de la portière ou lorsqu'on appuie sur n'importe quelle touche.
- En raison des variations de température dues à l'ouverture ou à la fermeture de la porte de l'appareil en fonctionnement, il est normal que la condensation se forme sur la porte, les étagères ou les récipients en verre.

## 5 Utilisation de l'appareil



### 1. Indicateur de marche / d'arrêt :

Cette icône (⓪) s'allume lorsque le réfrigérateur est éteint. Toutes les autres icônes s'éteignent.

### 2. Voyant d'économie d'énergie :

Cette icône (eco) s'allume lorsque le compartiment réfrigérateur est réglé sur la valeur la plus économique, soit 8 °C. Le voyant d'économie d'énergie s'éteint lorsque la fonction de réfrigération rapide ou de congélation rapide est sélectionnée.

### 3. Indicateur de réglage de température du compartiment réfrigérateur :

Indique le réglage de température pour le compartiment réfrigérateur.

### 4. Coupure d'électricité/Température élevée/Indicateur d'avertissement d'erreur

Cet éclairage (!) accompagne des coupures d'électricité, des échecs de température élevée et des messages d'erreur. Au cours des coupures d'électricité prolongées, la température maximale du compartiment réfrigérateur s'affiche sur l'écran numérique.

### 5. Indicateur Vacances

Cette icône (🌴) s'allume lorsque la fonction Vacances est active.

### 6. Indicateur de verrouillage des commandes :

L'icône (🔒) s'allume quand le mode de verrouillage des commandes est activé.



Les illustrations présentées dans cette notice d'utilisation sont schématiques et peuvent ne pas correspondre exactement à votre produit. Si des pièces présentées ne sont pas comprises dans le produit que vous avez acheté, elles sont valables pour d'autres modèles.

# Utilisation du réfrigérateur

## 7. Mode Verrouillage des commandes :

Appuyez sur le bouton (🔒) de Verrouillage des commandes pendant 3 secondes. L'icône de verrouillage des commandes s'allumera et le mode Verrouillage des commandes sera activé. Les boutons ne fonctionneront pas si le mode Verrouillage des commandes est actif. Appuyez à nouveau sur le bouton de Verrouillage des commandes pendant 3 secondes. L'icône de verrouillage des commandes s'éteindra et le mode Verrouillage des commandes sera désactivé.

## 8. Fonction Vacances :

Lorsque vous appuyez sur le bouton Vacances, la fonction Vacances (🌴) est activée et l'indicateur correspondant s'allume. Vous pouvez utiliser cette fonction lorsque vous ne souhaitez pas utiliser l'appareil pendant une longue période. Veillez à ce que votre réfrigérateur soit vide étant donné que l'appareil ne peut pas conserver les aliments en mode Vacances.

Lorsque cette fonction est activée, la température du compartiment réfrigérateur est maintenue à 15 °C pour éviter la formation de mauvaises odeurs. Appuyez de nouveau sur le bouton Vacances pour désactiver la fonction Vacances.

## 9. Fonction de réglage du congélateur

Cette fonction (°C) vous permet de régler la température du compartiment réfrigérateur. Appuyez sur ce bouton pour régler la température du compartiment réfrigérateur sur 8, 7, 6, 5, 4, 3 et 1 respectivement.

## 10. Fonction de réfrigération rapide

L'indicateur de réfrigération rapide (❄️) s'allume lorsque sa fonction est activée. Pour annuler cette fonction, appuyez à nouveau sur le bouton Réfrigération rapide. L'indicateur Réfrigération rapide s'éteindra et les paramètres normaux seront de nouveau appliqués. La fonction de réfrigération rapide est annulée automatiquement 1 heure plus tard, si vous ne l'avez pas annulée manuellement. Si vous souhaitez refroidir de grandes quantités de produits frais, appuyez sur le bouton Réfrigération rapide avant d'introduire ces produits dans le compartiment réfrigérateur.

## 11. Fonction Marche / Arrêt :

En appuyant sur cette fonction (⏸) pendant 3 secondes, le réfrigérateur s'arrête. Il peut à nouveau être mis en marche en appuyant sur la touche marche / arrêt pendant 3 secondes.

## 12. Indicateur d'Économie d'énergie :

Si les portes de l'appareil restent fermées pendant longtemps, la fonction Économie d'énergie s'active automatiquement et le symbole d'Économie d'énergie s'allume. (🔌). Si la fonction Économie d'énergie est active, tous les symboles de l'écran hormis celui de l'Économie d'énergie s'éteindront. Lorsque la Fonction Économie d'énergie est active, si vous appuyez sur un bouton quelconque ou ouvrez la porte, cette fonction sera désactivée et les symboles qui se trouvent à l'écran redeviendront normaux.

La fonction Économie d'énergie est activée à la sortie de l'appareil de l'usine et ne peut être annulée.

## 13. Indicateur de congélation rapide :

Cette icône (❄) s'allume lorsque la fonction de congélation rapide est active.

### 5.1. Système de réfrigération active dual cooling :

Votre réfrigérateur est équipé de deux systèmes de réfrigération séparés destinés à refroidir le compartiment des aliments frais et le compartiment de congélation du réfrigérateur. Ainsi, l'air du compartiment des produits frais et l'air du compartiment de congélation ne sont pas mélangés. Grâce à ce système de réfrigération séparé, les vitesses de réfrigération sont beaucoup plus élevées que pour des réfrigérateurs classiques. Par ailleurs, les odeurs des compartiments ne sont pas mélangées.

### 5.2. Congélation des produits frais

\* Enveloppez ou couvrez vos denrées avant de les placer au réfrigérateur.

\* Laissez refroidir les aliments à température ambiante avant de les placer au réfrigérateur.

\* Les denrées que vous souhaitez surgeler doivent être fraîches et en bon état.

- Il est conseillé de séparer les denrées en portions, en fonction des besoins quotidiens de votre famille ou du nombre de repas.

- Les denrées doivent être emballées hermétiquement afin d'éviter qu'elles ne s'assèchent, même si elles ne doivent être conservées qu'une courte période.

\* Les matériaux servant à emballer vos denrées doivent résister au froid et à l'humidité, et doivent être hermétiques. Le matériau d'emballage de vos denrées doit être suffisamment épais et doit pouvoir être conservé sur une longue période. Dans le cas contraire, les denrées endurcies par la congélation pourraient perforer l'emballage. Il est essentiel pour l'emballage d'être bien fermé.

\* Les denrées congelées doivent être consommées immédiatement après leur décongélation et elles ne doivent jamais être recongelées.

\* Veuillez respecter les instructions suivantes afin d'obtenir les meilleurs résultats.

1. Si le réfrigérateur dispose de la fonction congélation rapide, activez-la lorsque vous souhaitez congeler des aliments.
2. Ne congelez pas une quantité trop importante à la fois. La qualité des aliments est préservée de façons optimale lorsqu'ils sont entièrement congelés et ce, aussi rapidement que possible.
3. Faites particulièrement attention à ne pas mélanger les produits déjà congelés et les produits frais.
4. Assurez-vous que les aliments crus ne soient pas en contact avec les cuits dans votre réfrigérateur.

# Utilisation du réfrigérateur

Réglage du compartiment congélateur	Réglage du compartiment réfrigérateur	Remarques
-18°C	4°C	Voici le réglage normal recommandé.
-20,-22 ou -24°C	4°C	Ces réglages sont recommandés lorsque la température ambiante dépasse 30 °C.
Congélation rapide	4°C	Cet indicateur est utilisé lorsque vous voulez congeler vos denrées pendant une courte période. Il est recommandé de l'utiliser pour maintenir la qualité des produits tels que la viande et le poisson.
-18°C ou plus froid	2°C	Si vous pensez que le compartiment de réfrigération n'est pas assez froid à cause de la chaleur ou des ouvertures / fermetures fréquentes de la porte.
-18°C ou plus froid	Réfrigération rapide	Vous pouvez utiliser ce réglage lorsque le compartiment de réfrigération est surchargé ou lorsque vous souhaitez refroidir rapidement vos denrées. Il est conseillé d'activer la fonction de réfrigération rapide pendant 4 à 8 heures avant d'introduire les denrées dans le congélateur.

## 5.3. Recommandations concernant la conservation des aliments congelés

• Les aliments vendus préemballés et surgelés doivent être conservés conformément aux instructions du fabricant de produits congelés, dans le compartiment destiné au stockage des produits congelés.

• Afin de veiller à ce que la qualité supérieure recherchée par le fabricant et le détaillant des produits congelés soit atteinte, il convient de se rappeler les points suivants :

1. Mettre les emballages dans le congélateur aussi rapidement que possible après achat.
2. Assurez-vous que le contenu emballé est correctement étiqueté et daté.

3. Ne pas dépasser les dates « à consommer avant le » et « à consommer de préférence avant le » figurant sur l'emballage.

## Dégivrage

Le compartiment congélateur se dégivre automatiquement.

# Utilisation du réfrigérateur

## Disposition des denrées

Clayettes du compartiment congélation	Différentes denrées congelées comme de la viande, du poisson, des crèmes glacées, des légumes, etc.
Section Oeufs	Œufs
Clayettes du compartiment de réfrigération	Nourriture dans des casseroles, assiettes couvertes et récipients fermés
Étagères sur la porte du compartiment réfrigérant	Produits ou boissons emballés et de petite taille (comme le lait, les jus de fruits ou la bière)
Bac à légumes	Fruits et légumes
Compartiment Fraîcheur	Produits délicats (fromage, beurre, salami, etc.)

### 5.4. Informations concernant la congélation

Les denrées doivent être congelées le plus rapidement possible lorsqu'elles sont placées dans le congélateur, afin de préserver leur qualité.

Il n'est possible de conserver des denrées sur de longues périodes qu'avec des températures inférieures ou égales à -18°C.

### AVERTISSEMENT !



• Il est conseillé de séparer les denrées en portions, en fonction des besoins quotidiens de votre famille ou du nombre de repas.

• Les denrées doivent être emballées hermétiquement afin d'éviter qu'elles ne s'assèchent, même si elles ne doivent être conservées qu'une courte période.

Matériaux nécessaires à l'emballage :

- Bande adhésive résistante au froid
- Étiquette auto-collante
- Élastiques en caoutchouc
- Stylo

Les matériaux utilisés pour l'emballage des denrées doivent résister aux déchirures, au froid, à l'humidité, et doivent être imperméables aux odeurs, aux graisses et aux acides.

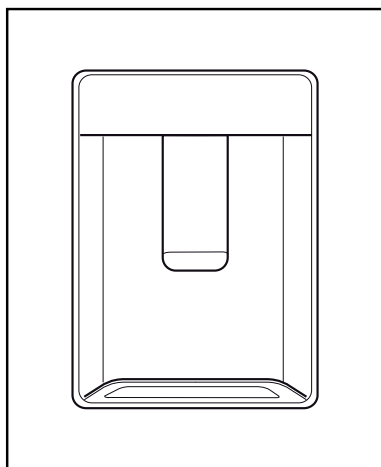
Il faut éviter que les denrées à congeler n'entrent en contact avec des aliments déjà congelés afin d'empêcher le dégel partiel de ces aliments. Les aliments décongelés doivent être consommés et ne pas être congelés à nouveau.

# Utilisation du réfrigérateur

## Fontaine frigorigifique

(sur certains modèles)

Cette fontaine est très important pour obtenir de l'eau fraîche sans avoir à ouvrir la porte de votre Congélateur / réfrigérateur. Comme vous n'aurez pas à ouvrir fréquemment la porte de votre Congélateur / réfrigérateur, cela vous permettra d'économiser de l'énergie.



### Utilisation de la fontaine

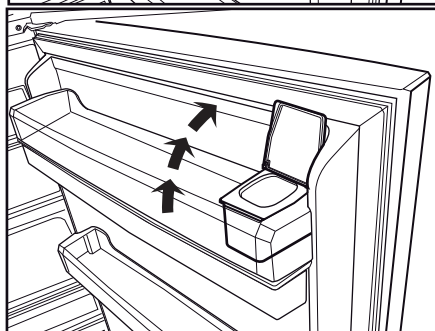
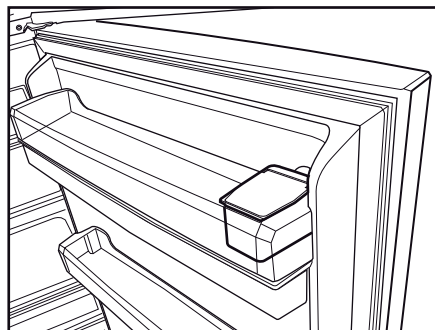
Appuyez sur le bouton de la fontaine avec votre verre. La fontaine cessera de fonctionner lorsque vous aurez relâché le bouton.

Pendant le fonctionnement de la fontaine, vous pouvez obtenir une quantité maximale en appuyant à fond sur le bouton. N'oubliez pas que la quantité de liquide obtenue est fonction du degré d'appui que vous exercez sur le bouton.

A mesure que le niveau d'eau de votre tasse / verre augmente, réduisez doucement la quantité de pression du bouton pour éviter tout risque de débordement. Si vous appuyez légèrement sur le bouton, l'eau tombera; ce phénomène est tout à fait normal et n'est pas un dysfonctionnement.

## Remplir le réservoir d'eau de la fontaine frigorigifique

Le réservoir d'approvisionnement en eau se trouve dans le balconnet de la porte. Ouvrez le couvercle du réservoir et remplissez-le avec de l'eau potable pure. Refermez ensuite le couvercle.



### Avertissement !

- Ne remplissez pas le réservoir d'eau avec un liquide autre que de l'eau; des boissons comme le jus de fruit, les boissons gazeuses, et les boissons alcooliques ne sont pas adaptées pour être utilisées avec le distributeur d'eau. Si de tels liquides sont utilisés, le distributeur connaîtra un dysfonctionnement et peut être profondément endommagé. La garantie ne couvre pas de telles utilisations. Certaines substances chimiques et additifs contenus dans de telles boissons / breuvages peuvent également endommager le réservoir d'eau.



## Utilisation du réfrigérateur

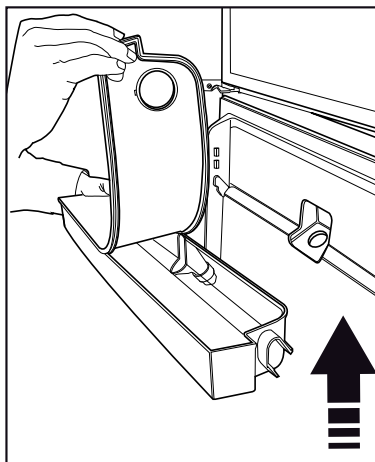
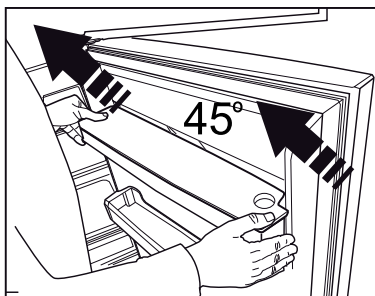
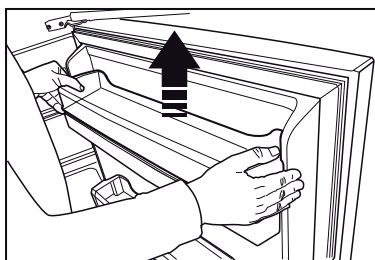
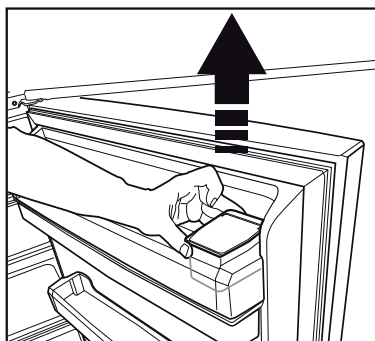
- Utilisez uniquement de l'eau potable pure.
- La capacité du réservoir est de 3 litres; ne dépassez pas la limite.
- Appuyez sur le bouton de la fontaine avec votre verre. Si vous utilisez une tasse jetable, poussez le bouton avec vos doigts à partir de l'arrière de la tasse.

### Nettoyer le réservoir d'eau

- Retirez le réservoir d'approvisionnement en eau du balconnet de la porte.
- Retirez le balconnet de la porte en le tenant par les deux côtés.
- Tenez le réservoir par les deux côtés et retirez-le selon un angle de 45SDgr.
- Retirez le couvercle afin de nettoyer le réservoir.

### Important :

Le réservoir d'eau et les composantes du distributeur d'eau ne peuvent pas être passés au lave-vaisselle.



# Utilisation du réfrigérateur

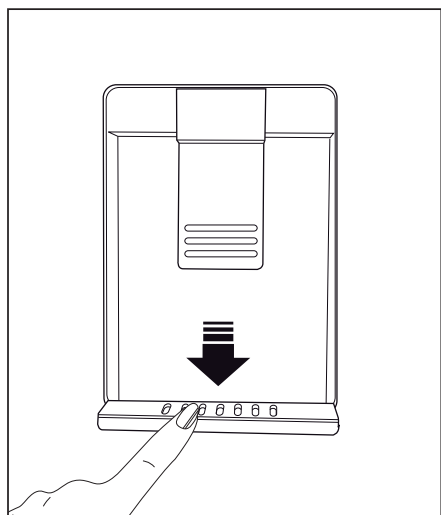
## Bac à eau

L'eau qui s'écoule lors de l'utilisation du distributeur d'eau s'accumule dans le bac de dégivrage.

Retirez la crépine en plastique comme sur le schéma.

Retirez l'excédent d'eau à l'aide d'un chiffon propre et sec.

**ATTENTION :** Raccorder uniquement à un tuyau d'alimentation en eau potable.



Le nettoyage régulier du produit prolonge sa durée de vie.



**AVERTISSEMENT:**

Débranchez l'alimentation avant de nettoyer le réfrigérateur.

- N'utilisez jamais d'outils pointus et abrasifs, de savon, de produits nettoyage domestiques, d'essence, de carburant, du cirage ou des substances similaires pour le nettoyage du produit.
- Faites dissoudre une cuillerée à café de carbonate dans de l'eau. Trempez un morceau de tissu dans cette eau et essorez-le. Nettoyez soigneusement l'appareil avec ce chiffon et ensuite avec un chiffon sec.
- Veillez à ne pas mouiller le logement de la lampe ainsi que d'autres composants électriques.
- Nettoyez la porte à l'aide d'un torchon humide. Retirez tous les aliments de l'intérieur afin de démonter la porte et les étagères du châssis. Relevez les étagères de la porte pour les démonter. Nettoyez et séchez les étagères, puis refixez-les en les faisant glisser à partir du haut.
- N'utilisez pas d'eau contenant du chlore, ou des produits de nettoyage pour les surfaces externes et les pièces chromées de l'appareil. Le chlore entraîne la corrosion de ce type de surfaces métalliques.

- Évitez d'utiliser des objets tranchants ou abrasifs, du savon, des produits ménagers de nettoyage, des détergents, de l'essence, du benzène, de la cire, ect. ; autrement, les marques sur les pièces en plastique pourraient s'effacer et les pièces elles-mêmes pourraient présenter des déformations. Utilisez de l'eau tiède et un torchon doux pour nettoyer et sécher.

### 6.1. Prévention des mauvaises odeurs

À sa sortie d'usine, cet appareil ne contient aucun matériau odorant. Cependant; la conservation des aliments dans des sections inappropriées et le mauvais nettoyage de l'intérieur peuvent donner lieu aux mauvaises odeurs.

Pour éviter cela, nettoyez l'intérieur à l'aide de carbonate dissout dans l'eau tous les 15 jours.

- Conservez les aliments dans des récipients fermés. Des micro-organismes peuvent proliférer des récipients non fermés et émettre de mauvaises odeurs.
- Ne conservez pas d'aliments périmés ou avariés dans le réfrigérateur.

### 6.2. Protection des surfaces en plastique

Si de l'huile se répand sur les surfaces en plastique, il faut immédiatement les nettoyer avec de l'eau tiède, sinon elles seront endommagées.

## 7 Dépannage

Veillez vérifier la liste suivante avant d'appeler le service après-vente. Cela peut vous faire économiser du temps et de l'argent. Cette liste regroupe les problèmes les plus fréquents ne provenant pas d'un défaut de fabrication ou d'utilisation du matériel. Il se peut que certaines des fonctions décrites ne soient pas présentes sur votre produit.

### Le réfrigérateur ne fonctionne pas.

- La fiche n'est pas insérée correctement dans la prise. >>> Insérez correctement la fiche dans la prise.
- Est-ce que le fusible ou le fusible principal a sauté ? >>> Vérifiez le fusible.

### Condensation sur la paroi intérieure du compartiment réfrigérateur. (MULTIZONE, COOL CONTROL et FLEXI ZONE).

- La porte a été ouverte souvent. >>> Évitez d'ouvrir et de fermer trop fréquemment la porte du réfrigérateur.
- L'environnement est très humide. >>> N'installez pas votre réfrigérateur dans des endroits très humides.
- La nourriture contenant du liquide est conservée dans des récipients ouverts. >>> Ne conservez pas de la nourriture contenant du liquide dans des récipients ouverts.
- La porte du réfrigérateur est laissée entrouverte. >>> Fermez la porte du réfrigérateur.
- Le thermostat est réglé à un niveau très froid. >>> Réglez le thermostat à un niveau adapté.

### Le compresseur ne fonctionne pas.

- Le dispositif de protection thermique du compresseur sautera en cas de coupures soudaines du courant ou de débranchement intempestif, en effet la pression du liquide réfrigérant du système de refroidissement ne sera pas équilibrée. Le réfrigérateur recommencera à fonctionner normalement après 6 minutes environ. Veuillez contacter le service après-vente si le réfrigérateur ne redémarre pas après cette période.
- Le réfrigérateur est en mode dégivrage. >>> Cela est normal pour un réfrigérateur à dégivrage semi-automatique. Le cycle de dégivrage se déclenche régulièrement.
- Le réfrigérateur n'est pas branché à la prise. >>> Assurez-vous que la prise est branchée dans la prise murale.
- Les réglages de température ne sont pas effectués correctement. >>> Sélectionnez la température appropriée.
- Il y a une panne de courant. >>> Le réfrigérateur recommence à fonctionner normalement après le retour du courant.

# Dépannage

Le niveau sonore augmente lorsque le réfrigérateur est en marche.

- Les caractéristiques de performance du réfrigérateur peuvent changer en raison des variations de la température ambiante. Cela est normal et n'est pas un défaut.

Le réfrigérateur fonctionne fréquemment ou pendant de longues périodes.

- Votre nouveau réfrigérateur peut être plus large que l'ancien. Les grands réfrigérateurs fonctionnent plus longtemps.
- La température de la pièce est probablement élevée. >>> Il est normal que l'appareil fonctionne plus longtemps quand la température ambiante est élevée.
- Le réfrigérateur pourrait y avoir été branché tout récemment ou pourrait avoir été chargé de denrées alimentaires. >>> Quand le réfrigérateur a été branché ou récemment rempli avec de la nourriture, il met plus de temps à atteindre la température réglée. Ce phénomène est normal.
- D'importantes quantités de denrées chaudes ont peut-être été introduites dans le réfrigérateur récemment. >>> Ne mettez pas de nourriture chaude dans le réfrigérateur.
- Les portes ont peut-être été ouvertes fréquemment ou laissées entrouvertes pendant une durée prolongée. >>> L'air chaud qui entre dans l'appareil oblige le réfrigérateur à travailler sur de plus longues périodes. N'ouvrez pas les portes fréquemment.
- La porte du réfrigérateur est probablement entrouverte. >>> Vérifiez que les portes sont bien fermées.
- Le réfrigérateur est réglé à une température très basse. >>> Réglez la température du réfrigérateur à un degré supérieur et attendez que la température réglée soit atteinte.
- Le joint de la porte du réfrigérateur ou du congélateur peut être sale, déchiré, rompu ou mal en place. >>> Nettoyez ou remplacez le joint. Tout joint endommagé/déchiré fait fonctionner le réfrigérateur pendant une période de temps plus longue afin de conserver la température actuelle.

La température du congélateur est très basse alors que celle du réfrigérateur est correcte.

- La température du congélateur est réglée à une température très basse. >>> Réglez la température du congélateur à un degré supérieur et vérifiez.

La température du réfrigérateur est très basse alors que celle du congélateur est correcte.

- La température du réfrigérateur est réglée à une température très basse. >>> Réglez la température du réfrigérateur à un degré supérieur et vérifiez.

# Dépannage

Les denrées conservées dans les tiroirs du compartiment de réfrigération sont congelées.

- La température du réfrigérateur est réglée à une température très basse. >>> Réglez la température du réfrigérateur à un niveau inférieur et vérifiez.

La température dans le réfrigérateur ou le congélateur est très élevée.

- La température du réfrigérateur est réglée à une température très basse. >>> Le réglage du compartiment réfrigérant a un effet sur la température du congélateur. Changez les températures du réfrigérateur ou du congélateur et attendez que les compartiments atteignent une température suffisante.
- Les portes ont peut être été ouvertes fréquemment ou laissées entrouvertes pendant une durée prolongée. >>> N'ouvrez pas les portes fréquemment.
- La porte est entrouverte. >>> Refermez complètement la porte.
- Le réfrigérateur a été récemment branché ou rempli avec de la nourriture. >>> Ce phénomène est normal. Lorsque le réfrigérateur vient d'être branché ou récemment rempli avec de la nourriture, il met plus de temps à atteindre la température réglée.
- D'importantes quantités de denrées chaudes ont peut être été introduites dans le réfrigérateur récemment. >>> Ne mettez pas de nourriture chaude dans le réfrigérateur.

• Vibrations ou bruits

- Le sol n'est pas plat ou stable. >>> Si le réfrigérateur balance lorsqu'il est déplacé lentement, équilibrez-le en ajustant sa base. Assurez-vous que le sol est plat et suffisamment solide pour supporter le poids et le volume de l'appareil.
- Les éléments placés sur le réfrigérateur peuvent faire du bruit. >>> Enlevez les éléments du haut du réfrigérateur.

Le réfrigérateur produit des bruits semblables à de l'eau qui coule, à la pulvérisation d'un liquide, etc.

- Des écoulements de gaz et de liquides surviennent dans le réfrigérateur, de par ses principes de fonctionnement. Cela est normal et n'est pas un défaut.

Un sifflement sort du réfrigérateur.

- Les ventilateurs sont utilisés pour refroidir le réfrigérateur. Cela est normal et n'est pas un défaut.

Condensation sur les parois intérieures du réfrigérateur.

- Un temps chaud et humide augmente la formation de givre et de condensation. Cela est normal et n'est pas un défaut.
- Les portes ont peut être été ouvertes fréquemment ou laissées entrouvertes pendant une durée prolongée. >>> N'ouvrez pas les portes fréquemment. Refermez-les si elles sont ouvertes.
- La porte est entrouverte. >>> Refermez complètement la porte.

# Dépannage

De l'humidité est présente à l'extérieur ou entre les portes du réfrigérateur.

- Il y a peut être de l'humidité dans l'air; ceci est tout à fait normal par un temps humide. Lorsque l'humidité est faible, la condensation disparaîtra.

Présence d'une mauvaise odeur dans le réfrigérateur.

- Il n'y a pas de nettoyage régulier effectué. >>> Nettoyez régulièrement l'intérieur du réfrigérateur avec une éponge, de l'eau tiède ou du carbonate dissout dans l'eau.
- Certains récipients ou matériaux d'emballage peuvent provoquer ces odeurs. >>> Utilisez un autre récipient ou changez de marque de matériau d'emballage.
- Les denrées sont mises au réfrigérateur dans des récipients sans couvercle. >>> Conservez les aliments liquides dans des récipients fermés. Les micro-organismes issus de récipients non fermés peuvent dégager des odeurs désagréables.
- Enlevez les aliments périmés et pourris du réfrigérateur.

La porte ne se ferme pas.

- Des récipients empêchent la fermeture de la porte. >>> Retirez les emballages qui obstruent la porte.
- Le réfrigérateur n'est pas complètement vertical sur le sol. >>> Ajustez les pieds du réfrigérateur pour l'équilibrer.
- Le sol n'est pas plat ou solide. >>> Assurez-vous que le sol est plat et qu'il peut supporter le poids du réfrigérateur.

Les bacs à légumes sont coincés.

- Il se peut que les denrées touchent le plafond du tiroir. >>> Disposez à nouveau les denrées dans le tiroir.

# Koelkast

## Gebruiksaanwijzing



NL |

**beko**



Beste klant,

We willen optimale prestaties bereiken met onze producten die in moderne faciliteiten worden gefabriceerd met nauwgezette kwaliteitscontroles.

Om die reden moet u de gebruikersgids volledig lezen voor u het product in gebruik neemt en bewaar de handleiding als referentiebron. Als u het product aan een andere persoon geeft, moet u deze handleiding ook meegeven.

### **De gebruikershandleiding zorgt voor een snel en veilig gebruik van het product.**

- Lees de gebruikershandleiding voor de installatie en bediening van het product.
- U moet de geldige veiligheidsinstructies altijd naleven.
- Bewaar de handleiding binnen handbereik voor een eventuele raadpleging in de toekomst.
- Lees alle andere documenten die worden geleverd met het product.

Vergeet niet dat deze handleiding van toepassing kan zijn op meerdere productmodellen. De handleiding vermeldt eventuele variaties tussen de verschillende modellen heel duidelijk.

### **Symbolen en opmerkingen**

**De volgende symbolen worden gebruikt in de handleiding:**

	Belangrijke informatie en handige tips.
	Risico van fatale gevolgen en schade aan eigendom.
	Risico van elektrische schokken.
	De verpakking van het product is vervaardigd uit recyclebaar materiaal, in overeenstemming met de Nationale Milieuwetgeving.

## **1 Belangrijke Veiligheids- en omgevingsinstructies 4**

Algemene veiligheid .....	4
Bedoeld gebruik.....	7
Kinderveiligheid.....	8
Conformiteit met de WEEE-richtlijn en Verwijdering van afvalproducten .....	8
Conformiteit met de RoHS-richtlijn .....	8
Informatie op de verpakking.....	8

## **2 Installatie 9**

### **3 Installatie 10**

Punten waarop gelet moet worden bij de verplaatsing van een koelkast .....	10
Voordat u de koelkast inschakelt,.....	10
Elektrische aansluiting .....	11
Afvoeren van de verpakking .....	11
Stelvoetjes aanpassen.....	12
Waarschuwing Deur open .....	12
De openingsrichting van de deur wijzigen .....	12

## **4 Voorbereiding 13**

### **5 Bediening van het product 14**

#### **14**

Tweeledig koelsysteem:.....	19
Verse etenswaren invriezen.....	19
Aanbeveling voor het bewaren van diepvriesvoedsel.....	20
Het plaatsen van de levensmiddelen	21
Diepvriesinformatie.....	21

### **6 Entretien et nettoyage 22**

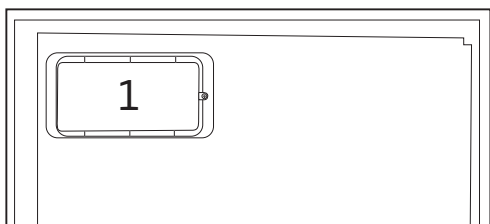
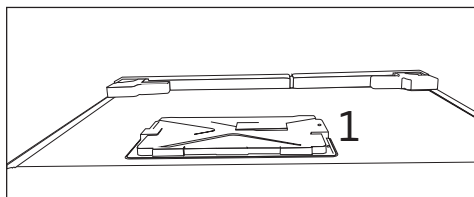
### **7 Probleemoplossing 23**

# **1 Belangrijke Veiligheids- en omgevingsinstructies**

Deze sectie bevat de noodzakelijke veiligheidsinstructies om risico op letsels of materiële schade te vermijden. Het niet naleven van deze instructies resulteert in de nietigverklaring van alle mogelijke productgaranties.

## **1.1. Algemene veiligheid**

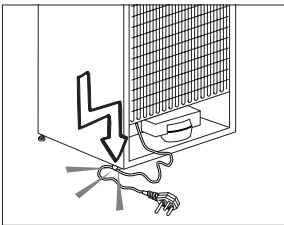
- Dit product mag niet worden gebruikt door personen met fysieke, gevoelsmatige en mentale handicaps, door personen met onvoldoende kennis en ervaring of door kinderen. Het apparaat mag enkel worden gebruikt door dergelijke personen als ze onder toezicht en instructies staan van een persoon die verantwoordelijk is voor hun veiligheid. Kinderen mogen niet met dit apparaat spelen.
- Als er een defect optreedt, moet u de stekker verwijderen uit het stopcontact.
- Nadat u de stekker hebt verwijderd, moet u 5 minuten wachten voor u hem opnieuw in het stopcontact voert.
- Verwijder de stekker van het product uit het stopcontact als u het niet gebruikt.
- U mag het product niet aanraken met natte handen! Trek niet aan het netsnoer maar houd het steeds vast bij de stekker.
- Wrijf de pinnen van de stekker af met een droge doek voor u hem in het stopcontact voert.
- U mag de stekker van de koelkast niet invoeren als het stopcontact los zit.
- Verwijder de stekker uit het stopcontact tijdens de installatie, onderhoudswerken, reiniging en reparaties.
- Als u het product gedurende een lange periode niet gebruikt, moet u de stekker van het product uit het stopcontact verwijderen en alle etenswaren verwijderen.
- Gebruik het product niet als het compartiment met circuitkaarten op het bovenste deel achteraan van het product (elektrische kaart doos deksel) (1) open is.



- Gebruik geen stoom of stoomreinigers om de koelkast te reinigen en het ijs te smelten. Stoom kan in contact komen met de geëlektrificeerde zones en kortsluitingen of elektrische schokken veroorzaken!
- U mag het product niet reinigen door er water op te verstuiven of te gieten! Gevaar van elektrische schokken!
- Als er een defect optreedt, mag u het product niet gebruiken want dit kan elektrische schokken veroorzaken. Neem contact op met de geautoriseerde dienst voor u iets doet.
- Voer de stekker in een geaard stopcontact. De aarding moet worden uitgevoerd door een gekwalificeerde elektricien.
- Als het product voorzien is van een LED-type verlichting moet u contact opnemen met de geautoriseerde dienstverlening om het te vervangen als er een probleem optreedt.
- Raak geen bevroren goederen aan met natte handen! Ze kunnen blijven plakken aan uw handen!
- Plaats geen vloeistoffen in flessen en blikjes in het vriesvak. Deze kunnen namelijk barsten!

## Veiligheids-en omgevingsinstructies

- Plaats vloeistoffen rechtop nadat u het deksel stevig hebt gesloten.
- U mag geen ontvlambare stoffen in de buurt van het product verstuiven want deze kunnen branden of ontploffen.
- Bewaar geen ontvlambaar materiaal en producten met ontvlambaar gas (sprays, etc.) in de koelkast.
- Plaats geen containers met vloeistof bovenop het product. Water spatten op een geëlektrificeerd onderdeel kan elektrische schokken veroorzaken en fataal aflopen.
- Het product blootstellen aan regen, sneeuw, zonlicht en wind veroorzaakt elektrisch gevaar. Als u het product verplaatst, mag u er niet aan trekken bij het handvat. Het handvat kan los komen.
- Zorg ervoor uw handen of lichaam niet te klemmen in een van de bewegende delen van het product.
- U mag niet stappen of leunen op de deur, laden of gelijkaardige delen van de koelkast. Dit kan er toe leiden dat het product valt en het kan schade veroorzaken aan de onderdelen.
- Let erop het netsnoer niet te klemmen.



### 1.1.1 HC waarschuwing

Als het product voorzien is van een koelsysteem met R600 gas moet u er op letten het koelsysteem en de leiding niet te beschadigen wanneer u het product gebruikt of verplaatst. Dit gas is ontvlambaar. Als het koelsysteem beschadigd is, moet u het product uit te buurt van brandhaarden houden en de ruimte onmiddellijk ventileren.



Het label links aan de binnenzijde geeft het type gas aan dat in het product wordt gebruikt.

### **1.1.2 Voor modellen met een waterfontein**

- De druk van de koud waterinlaat mag maximum 90psi (6,2 bar) bedragen. Als uw waterdruk hoger is dan 80psi (5,5 bar) moet u een drukk begrenzer gebruiken in uw netwerk. Als u niet weet hoe u uw waterdruk kunt controleren, moet u hulp vragen van een professionele loodgieter.
- Als het risico bestaat op een waterslageffect in uw installatie moet u altijd een waterslag preventie apparatuur installeren. Raadpleeg een professionele loodgieter als u niet zeker bent of er een waterslageffect aanwezig is in uw installatie.
- Installeer deze niet op de warme waterinlaat. Neem de nodige maatregelen tegen het bevriezen van de leidingen. De watertemperatuur bedrijfsinterval moet minimum 33°F (0,6°C) en maximum 100°F (38°C) zijn.
- Gebruik enkel drinkwater.

### **1.2. Bedoeld gebruik**

- Dit product is ontworpen voor huishoudelijk gebruik. Het is niet bedoeld voor commercieel gebruik.
- Het product mag enkel worden gebruikt om etenswaren en dranken op te slaan.
- U mag geen gevoelige producten bewaren die een gecontroleerde temperatuur vereisen (vaccins, warmtegevoelige medicatie, medische producten, etc.) in de koelkast.
- De fabrikant aanvaardt geen verantwoordelijkheid voor eventuele schade als het gevolg van misbruik of een incorrecte hantering.

- De levensduur van het product is 10 jaar. De noodzakelijke reserveonderdelen voor de werking van het product zullen beschikbaar blijven tijdens deze periode.

### 1.3. Kinderveiligheid

- Houd de verpakking uit de buurt van kinderen.
- Laat kinderen nooit spelen met het product.
- Als de deur van het product voorzien is van een slot moet u ze uit de buurt van kinderen houden.

### 1.4. Conformiteit met de WEEE-richtlijn en Verwijdering van afvalproducten

Dit product is conform met de EU WEEE-richtlijn (2012/19/EU). Dit product draagt een classificatiesymbool voor afval elektrische en elektronische apparatuur (WEEE).



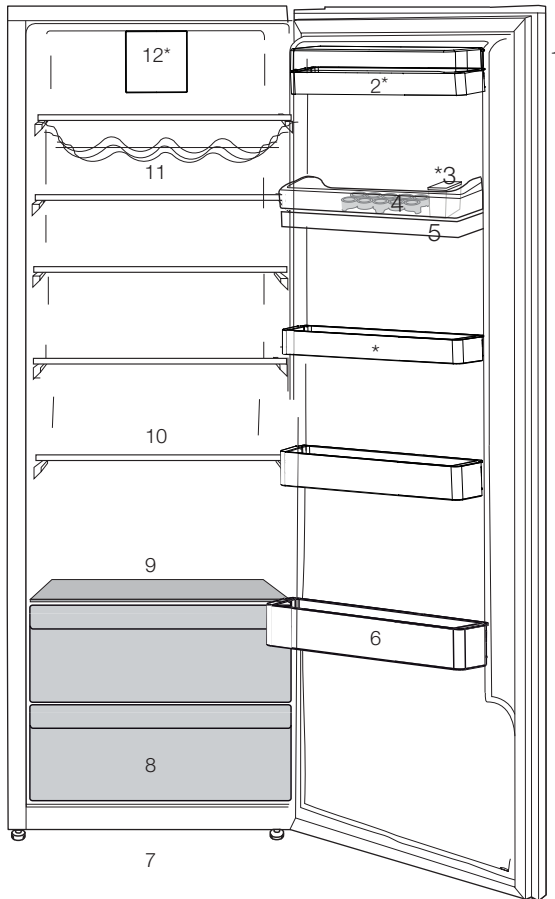
Dit product werd vervaardigd met kwalitatief hoogstaande onderdelen en materialen die opnieuw kunnen worden gebruikt en die geschikt zijn voor recycling. U mag het afvalproduct niet verwijderen met het normale huishoudelijke en andere afval aan het einde van de levensduur. Breng het naar een inzamelcentrum voor de recycling van elektrische en elektronische apparatuur. Raadpleeg uw lokale autoriteiten voor meer informatie over deze inzamelcentra.

### 1.5. Conformiteit met de RoHS-richtlijn

- Dit product is conform met de EU WEEE-richtlijn (2011/65/EU). Het bevat geen schadelijk en verboden materiaal zoals gespecificeerd in de Richtlijn.

### 1.6. Informatie op de verpakking

- Het verpakkingsmateriaal van het product is gefabriceerd van recyclebaar materiaal in overeenstemming met onze Nationale Milieuwetgeving. U mag het verpakkingsmateriaal niet samen met het huishoudelijke of ander afval weggooien. Breng het naar de inzamelpunten voor verpakkingsmateriaal aangewezen door de lokale autoriteiten.



- |  |   |
|--|---|
| <ul style="list-style-type: none"> <li>1. Indicatorpaneel elektronische bediening</li> <li>2. Boter- en kaasvak</li> <li>3. Vulreservoir waterdispenser</li> <li>4. Eiergedeelte</li> <li>5. Reservoir waterdispenser</li> </ul> | <ul style="list-style-type: none"> <li>6. Flessenrek</li> <li>7. Afstelbare poten</li> <li>8. Chillervak</li> <li>9. Deksel groentelade</li> <li>10. Aanpasbare schappen</li> <li>11. Wijnkelder</li> <li>12. Ventilator</li> </ul> |
|--|---|



De afbeeldingen in deze gebruiksaanwijzing zijn schematisch en hoeven niet exact met uw product overeen te komen. Wanneer onderdelen niet tot het product behoren dat u hebt gekocht, zijn deze geldig voor andere modellen.



## 3 Installatie

### 3.1. Punten waarop gelet moet worden bij de verplaatsing van een koelkast

1. Uw koelkast moet van de stroom zijn afgesloten. Voor het vervoer van uw koelkast moet deze leeg zijn gemaakt en gereinigd.
2. Voordat deze wordt verpakt, moeten schappen, accessoires, groentelade, enz. in de koelkast worden vastgemaakt met tape en beschermd zijn tegen stoten. De verpakking dient met dikke tape of geschikt touw worden ingebonden en de vervoerregels op de verpakking dienen strikt te worden nageleefd.
3. Originele verpakking en schuimmaterialen moeten worden bewaard voor toekomstig transport of verhuizen.



**WAARSCHUWING:** Indien de informatie die in deze gebruikershandleiding wordt gegeven, niet wordt opgevolgd, is de fabrikant in geen geval aansprakelijk.



**WAARSCHUWING:** Een beschadigde stroomkabel moet door een gekwalificeerd elektricien worden vervangen.

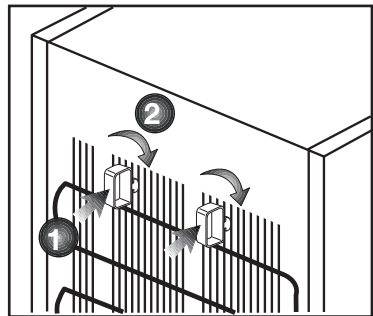


**WAARSCHUWING:** Het product mag niet in werking worden gesteld voordat het gerepareerd is! Er bestaat anders gevaar op een elektrische schok!

### 3.2. Voordat u de koelkast inschakelt,

Controleer het volgende voordat u uw koelkast gaat gebruiken:

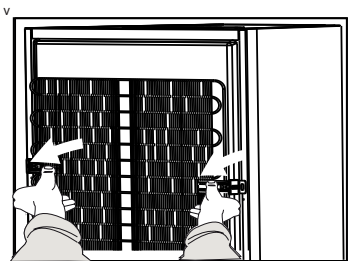
1. Bevestig 2 plastic wiggen zoals hieronder afgebeeld. Plastic wiggen zijn bedoeld om afstand te houden, om zo een luchtcirculatie te behouden tussen uw koelkast en de muur. (De afbeelding is slechts een schets en is niet gelijk aan uw product.)



2. Maak de binnenkant van de koelkast schoon, zoals aanbevolen in het hoofdstuk "Onderhoud en reiniging".
3. Sluit de stekker van de koelkast aan op het stopcontact. Als de koelkastdeur wordt geopend, gaat de binnerverlichting van de koelkast aan.
4. Als de compressor begint te draaien, komt er een geluid vrij. De vloeistof en de gassen die zich in het koelsysteem bevinden, zouden ook wat lawaai kunnen veroorzaken zelfs wanneer de compressor niet werkt. Dit is normaal.
5. De buitenkant van de koelkast kan warm aanvoelen. Dit is normaal. Deze oppervlakken zijn bedoeld om warm te worden om condensvorming te voorkomen.

- De condensator van uw apparaat bevindt zich aan de achterzijde, zoals hieronder afgebeeld. Om energiezuiniger te zijn met minder energieverbruik trekt u de condensator naar uzelf toe, zoals aangegeven op onderstaande afbeelding. De condensator wordt door een vergrendelsysteem van de bovenste klemmen stevig aan iedere zijde vastgehouden.

### \* OPTIONEEL



### 3.3. Elektrische aansluiting

Sluit uw apparaat aan op een geaard stopcontact, beschermd door een zekering met de juiste capaciteit.

Belangrijk:

- De aansluiting moet in naleving zijn met nationale voorschriften.
- De stroomstekker moet na installatie eenvoudig bereikbaar zijn.
- Elektrische veiligheid van uw koelkast wordt alleen gegarandeerd wanneer het aardingssysteem in uw huis aan de normen voldoet.
- Het voltage op het etiket dat zich links binnenin uw product bevindt moet gelijk zijn aan uw netstroomvoltage.
- **Verlengkabels en verdeelstekkers mogen voor aansluiting niet worden gebruikt.**

### 3.4. Afvoeren van de verpakking

De verpakkingsmaterialen kunnen gevaarlijk zijn voor kinderen. Houd het verpakkingsmateriaal buiten bereik van kinderen of voer deze af conform afvalinstructies zoals bepaald door uw lokale autoriteiten. Gooi het niet weg met het normale huishoudafval, maar maak gebruik van ophaalplaatsen voor verpakkingen die door lokale autoriteiten zijn aangewezen.

De verpakking van uw koelkast is vervaardigd uit herbruikbare materialen.

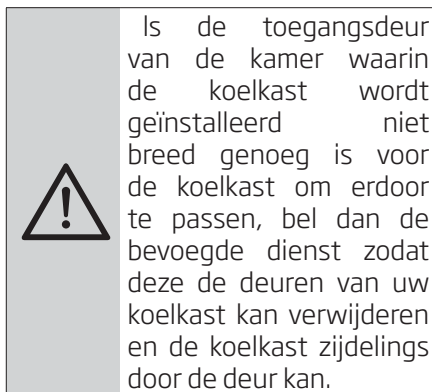
#### Afvoeren van uw oude koelkast

Voer uw oude koelkast af zonder het milieu op enige wijze te schaden.

- U kunt uw bevoegde dealer of het afvalcentrum van uw gemeente raadplegen over het afvoeren van uw koelkast.

Voordat u uw koelkast afvoert, snijd de elektrische stekker af. Indien het apparaat is uitgevoerd met deursluitingen, dit slot dan onbruikbaar maken om kinderen tegen gevaar te beschermen.

### Plaatsing en installatie



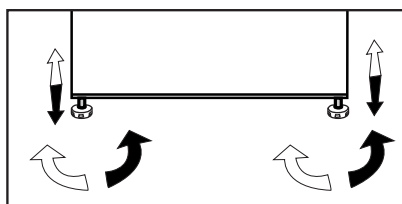
Is de toegangsdeur van de kamer waarin de koelkast wordt geïnstalleerd niet breed genoeg is voor de koelkast om erdoor te passen, bel dan de bevoegde dienst zodat deze de deuren van uw koelkast kan verwijderen en de koelkast zijdelings door de deur kan.

1. Installeer uw koelkast op een plaats waar deze gemakkelijk kan worden gebruikt.
2. Houd uw koelkast uit de buurt van warmtebronnen, vochtige plaatsen en direct zonlicht.
3. Er moet geschikte luchtventilatie rond uw koelkast zijn om een efficiënte werking te verkrijgen. Als de koelkast in een uitsparing in de muur wordt geplaatst, moet er minstens 5 cm afstand zijn ten opzichte van het plafond en minstens 5 cm ten opzichte van de muur. Plaats uw product niet op materialen zoals een kleden of vloerbedekking.
4. Plaats uw koelkast op een vlak vloeroppervlak om schokken te vermijden.

### 3.5. Stelvoetjes aanpassen

Wanneer uw koelkast niet waterpas staat;

U kunt uw koelkast waterpas stellen door aan de stelvoetjes te draaien zoals getoond in de afbeelding. De hoek van het stelvoetje wordt verlaagd wanneer u in de richting van de zwarte pijl draait en verhoogd wanneer u in de tegenovergestelde richting draait. Wanneer iemand u hierbij helpt door de koelkast lichtjes op te tillen vereenvoudigt dit het proces.



### 3.6. Waarschuwing Deur open

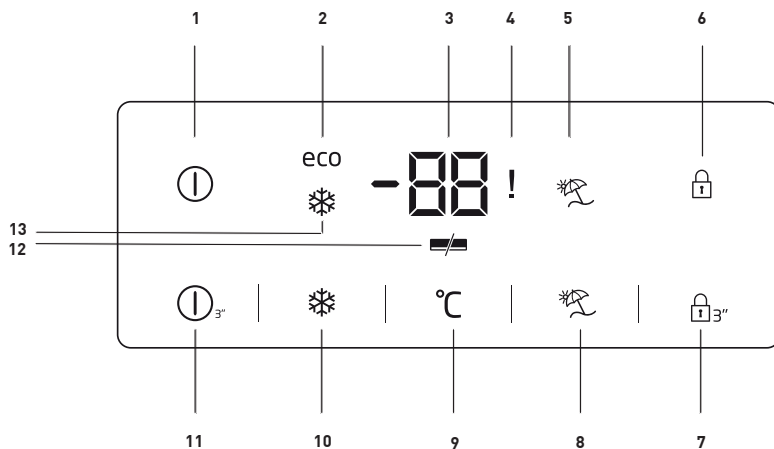
Er gaat een alarmsignaal af wanneer de deur van de koelkast of van het diepvriesgedeelte gedurende een bepaalde periode open wordt gelaten. Dit geluidssignaal stopt zodra er een knop op de indicator wordt ingedrukt of wanneer de deur gesloten wordt.

### 3.7. De openingsrichting van de deur wijzigen

De openingsrichting van uw koelkast kan gewijzigd worden afhankelijk van de plaats waar u ze gebruikt. Indien dit nodig is, bel naar uw dichtstbijzijnd erkend servicebedrijf.

## 4 Voorbereiding

- Uw koelkast moet worden geïnstalleerd op minstens 30 cm afstand van warmtebronnen zoals kookplaten, centrale verwarming en kachels en op minstens 5 cm afstand van elektrische ovens. De koelkast mag niet in direct zonlicht worden geplaatst.
- De omgevingstemperatuur van de kamer waarin u de koelkast installeert dient minstens 5°C te zijn. In verband met efficiëntie wordt gebruik van uw koelkast in koudere omstandigheden niet aanbevolen.
- Controleer of de binnenzijde van uw koelkast volledig schoon is.
- Bij installatie van twee koelkasten naast elkaar, moeten de koelkasten op een afstand van minstens 2 cm van elkaar worden geplaatst.
- Wanneer u de koelkast voor de eerste keer in gebruik neemt, gelieve tijdens de eerste zes uur de volgende instructies in acht te houden.
  - De deur niet regelmatig openen.
  - Koelkast moet in bedrijf gesteld worden zonder levensmiddelen.
  - De stekker van de koelkast niet uittrekken. Indien zich een stroomstoring voordoet buiten uw macht, zie de waarschuwingen in het deel "Aanbevolen oplossingen voor problemen".
- De manden/lades die met het koelcompartiment worden meegeleverd moeten altijd worden gebruikt om voor een laag energieverbruik en betere opslagcondities te zorgen.
- Wanneer voedsel in contact komt met de temperatuursensor in het vriezercompartiment dan kan dit het energieverbruik van het apparaat verhogen. Derhalve dient contact met de sensor(s) voorkomen te worden.
- Originele verpakking en schuimmaterialen moeten worden bewaard voor toekomstig transport of verhuizen.
- In bepaalde modellen schakelt het instrumentenpaneel uit 5 minuten nadat de deur werd gesloten. Het wordt opnieuw ingeschakeld als de deur wordt geopend of als een knop wordt ingedrukt.
- Als gevolg van temperatuurschommelingen door het openen/sluiten van de deur van het product tijdens zijn werking, is condens op de deur-/koelkastschappen en de glazen houders normaal



### 1. Aan/Uit-indicator:

Dit pictogram (Ⓜ) gaat aan wanneer de koelkast wordt uitgeschakeld. Alle andere pictogrammen gaan uit.

### 2. Indicator Economisch Gebruik:

Dit pictogram (eco) gaat aan wanneer het koelcompartiment op 8°C wordt gezet, wat de meest economische instelwaarde is. De Indicator voor Zuinig Gebruik gaat uit als de functie Snelkoelen of Snelvriezen wordt geselecteerd.

### 3. Aanduiding temperatuurinstelling koelgedeelte:

Geeft de ingestelde temperatuur aan voor het koelgedeelte.

### 4. Waarschuwingsindicator

#### Stroomstoring / Hoge temperatuur / fout:

Dit lampje (!) licht op bij een stroomstoring, storing door hoge temperatuur en waarschuwingen voor fouten. Tijdens een langerestroomstoring zal de hoogste temperatuur die het koelcompartiment bereikt, op de digitale display knipperen.

### 5. Vakantieaanduiding:

Dit pictogram (☀) licht op wanneer de Vakantiefunctie actief is.

### 6. Indicator Vergrendeling

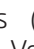
Dit pictogram (🔒) licht op wanneer de Vergrendel-modus geactiveerd is.




De afbeeldingen in deze gebruiksaanwijzing zijn schematisch en hoeven niet exact met uw product overeen te komen. Wanneer onderdelen niet tot het product behoren dat u hebt gekocht, zijn deze geldig voor andere modellen.

## Gebruik van uw koelkast

### 7. Vergrendel-modus:

Druk aanhoudend op de knop Vergrendel-modus () gedurende 3 seconden. Het Vergrendel-pictogram zal oplichten en de vergrendelmodus zal geactiveerd worden. Knoppen zullen niet functioneren als de Vergrendel-modus actief is. Druk opnieuw aanhoudend op de Vergrendel-knop gedurende 3 seconden. Het Vergrendel-pictogram zal uit gaan en de vergrendelmodus zal eraf gaan.


### 8. Vakantiefunctie:

Bij het indrukken van de Vakantiekноп wordt de vakantiefunctie () geactiveerd en licht de vakantieaanduiding op. U kunt deze functie gebruiken als u uw koelkast een lange tijd niet gebruikt. Let op dat er geen levensmiddelen in de koelkast liggen. In de vakantiemodus kan uw koelkast geen levensmiddelen bewaren. Bij het inschakelen van deze functie blijft het koelgedeelte op 15 °C om onaangename geuren te voorkomen. Druk nogmaals op de Vakantiekноп om de vakantiefunctie uit te schakelen.

### 9. Functie Koelkastinstelling:


Met deze functie (°C) kunt u de temperatuurinstelling van het koelgedeelte bepalen. Druk deze knop in om de temperatuur van het koelgedeelte in te stellen op respectievelijk 8, 7, 6, 5, 4, 3 en 1.

### 10. Functie Snelkoelen:


De aanduiding Snelkoelen () licht op zodra de functie Snelkoelen aanstaat. Druk de knop Snelvriezen nogmaals in om deze functie te annuleren. De indicator Snelvriezen gaat uit en het apparaat keert terug naar de normale instellingen. Als u de functie

Snelkoelen niet handmatig annuleert, wordt de functie Snelkoelen na 1 uur automatisch geannuleerd. Als u een grote hoeveelheid verse etenswaren wilt koelen, drukt u op de knop Snelkoelen voordat u de etenswaren in het koelgedeelte plaatst.

### 11. Aan/uit-functie:

Deze functie () stelt u in staat om de Koelkast uit te zetten wanneer u er 3 seconden op drukt. De koelkast kan aanzet worden door opnieuw 3 seconden op de knop Aan/Uit te drukken.

### 12. Energiebesparingsindicator:

Als de deuren van het product een lange periode gesloten zijn, wordt de functie energiebesparing automatisch geactiveerd en het symbool voor energiebesparing licht op. ()

Wanneer de functie energiebesparing geactiveerd is, zullen alle symbolen op de display anders dan het symbool voor energiebesparing uit gaan. Wanneer de functie Energiebesparing geactiveerd is, zal de functie energiebesparing, als er op een knop gedrukt wordt of de deur geopend wordt, worden geannuleerd en de symbolen op de display zullen terugkeren naar normaal.

De functie Energiebesparing wordt geactiveerd bij levering van fabriek en kan niet worden geannuleerd.

### 13. Indicator Snelvriezen:

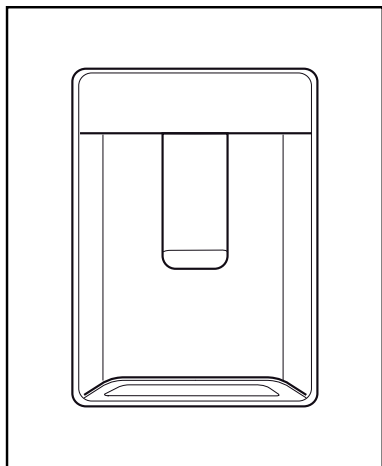
Dit pictogram () staat aan wanneer de functie Snel Vriezen aan staat.

## Gebruik van uw koelkast

### Waterdispenser

#### \*optioneel

De waterdispenser is erg bruikbaar om koud water te krijgen zonder de deur van de koelkast te openen. Omdat u minder regelmatig de koelkast open doet, spaart u energie.



### Gebruik van de waterdispenser

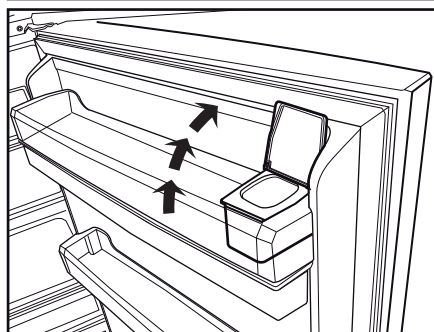
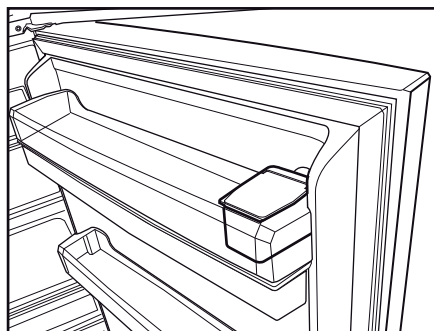
Druk met uw glas tegen de hefboom van de waterdispenser. De dispenser stopt met werken zodra u de hefboom los laat.

Wanneer u de waterdispenser bedient, kan het maximale debiet worden bekomen door de hefboom volledig in te drukken. Vergeet niet dat de debiethoeveelheid van de dispenser afhankelijk is van de mate waarin u de hefboom indrukt.

Met de stijging van het waterpeil in uw glas/container, vermindert u de druk op de hefboom om te voorkomen dat het recipiënt overloopt. Wanneer u de hefboom slechts lichtjes indrukt druppelt het water, dit is normaal en is geen storing.

### Het reservoir van de waterdispenser vullen

Het waterreservoir bevindt zich aan de binnenkant van het deurooster. U kunt de reservoirdeksel openen en vullen met drinkwater. Sluit vervolgens de deksel.

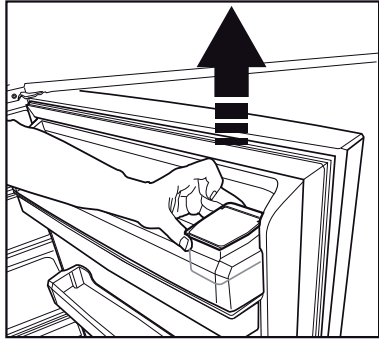


### Waarsch.!

- Giet geen andere vloeistof (zoals vruchtensappen, koolzuurhoudende dranken of alcoholische dranken) dan water in het waterreservoir. Deze zijn niet geschikt voor gebruik in de waterdispenser. De waterdispenser zal onherstelbaar beschadigd raken wanneer deze vloeistoffen worden gebruikt. Als u dit doet vervalt de garantie. Sommige chemische producten en additieven die in deze dranken/vloeistoffen aanwezig zijn kunnen het waterreservoir en zijn materialen beschadigen.

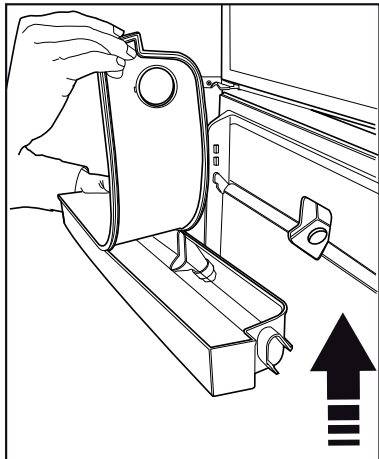
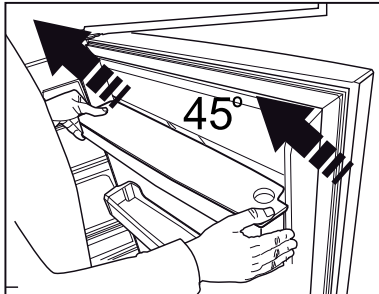
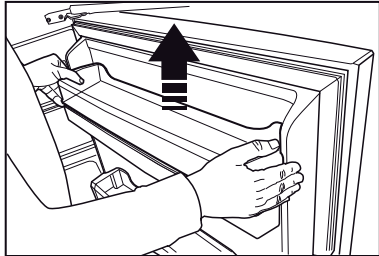
## Gebruik van uw koelkast

- Gebruik alleen schoon drinkwater.
- De capaciteit van het waterreservoir is 3 liter. Het reservoir niet te vol vullen.
- Druk met een hard glas tegen de hefboom van de waterdispenser. Indien u plastic wegwerpbekers gebruikt, moet u de hefboom met uw vingers achter de beker indrukken.



### Reinigen van het waterreservoir

- Verwijder het waterreservoir in het deurrooster.
- Verwijder het deurrooster door dit aan beide kanten vast te houden.
- Grijp de watertank aan beide kanten vast en verwijder hem bij een hoek van 45°.
- Reinig het waterreservoir door de deksel te verwijderen.





## Gebruik van uw koelkast

### Belangrijk:

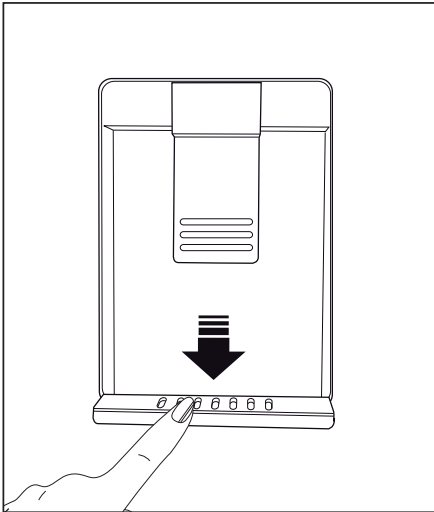
Componenten van de watertank en de waterdispenser mogen niet in de vaatwasser worden schoongemaakt.

### Waterlade

In deze druplade wordt water dat tijdens het gebruik van de waterdispenser druppelt opgevangen.

Verwijder de plastic grendel zoals weergegeven in de afbeelding.

Verwijder het water dat zich heeft opgehoopt met een schone en droge doek.



### 5.1. Tweeledig koelsysteem:

Uw koelkast is uitgerust met een apart koelsysteem om het koel- en diepvriesgedeelte te koelen. De lucht in het koelgedeelte vermengt zich niet met de lucht in het diepvriesgedeelte. Dankzij deze twee aparte koelsystemen, is de koelsnelheid veel hoger dan bij andere koelkasten. Geur van de twee gedeelten raakt niet gemengd. Daarnaast biedt dit aanvullende energiebesparing, aangezien het ontdooien afzonderlijk plaatsvindt.

### 5.2. Verse etenswaren invriezen

- Wikkel het voedsel in of bedek het vóór het plaatsen
- Warm voedsel moet eerst afkoelen naar kamertemperatuur voordat het in de koelkast gezet mag worden.
- De levensmiddelen die u wenst in te vriezen dienen vers en van goede kwaliteit te zijn.
- De levensmiddelen moeten in porties worden verdeeld op basis van de dagelijkse of maaltijd gebaseerde consumptiebehoeften van het gezin.
- Levensmiddelen moeten luchtdicht worden verpakt om uitdroging te voorkomen, zelfs wanneer ze slechts gedurende een korte periode worden bewaard.
- De gebruikte verpakkingsmaterialen dienen resistent te zijn voor kou en vochtigheid en ze moeten luchtdicht zijn. Het verpakkingsmateriaal van het voedsel moet voldoende dik en duurzaam zijn. Anders kan het door bevriezing hard geworden voedsel de verpakking doorprikken. Het is belangrijk dat de verpakking goed

wordt gesloten om veilige bewaring van het voedsel te waarborgen.

- Bevroren levensmiddelen moeten meteen na ontdooiing worden gebruikt en mogen nooit opnieuw worden ingevroren.
  - Gelieve de volgende instructies in acht te nemen om de beste resultaten te bereiken.
1. Als de koelkast over een snelvriesfunctie beschikt, gebruikt u deze snelvriesfunctie als u voedsel wilt invriezen.
  2. Vries nooit te grote hoeveelheden levensmiddelen in één keer in. De kwaliteit van het voedsel blijft het best geconserveerd wanneer het zo snel mogelijk goed tot in het hart wordt ingevroren.
  3. Zorg er goed voor geen diepvriesproducten te mengen met verse etenswaren.
  4. Zorg dat rauw voedsel in de koelkast niet in contact komt met bereid voedsel.

## Gebruik van uw koelkast

Instelling diepvriesgedeelte	Instelling koelgedeelte	Opmerkingen
-18°C	4°C	Dit is de normale aanbevolen instelling.
-20,-22 of -24°C	4°C	Deze instellingen worden aanbevolen wanneer de omgevingstemperatuur boven de 30°C komt.
Snelvriezen	4°C	Te gebruiken wanneer u de etenswaren in korte tijd wilt invriezen. Het gebruik wordt aanbevolen om de kwaliteit van vlees- en visproducten te behouden.
-18°C of kouder	2°C	Wanneer u denkt dat uw koelgedeelte niet koud genoeg is als gevolg van de warme omgevingstemperatuur of het frequent openen en sluiten van de deur.
-18°C of kouder	Snelkoelen	U kunt deze gebruiken wanneer uw koelgedeelte overladen is of wanneer u de levensmiddelen zeer snel wilt koelen. Wij raden aan de snelvriesfunctie 4-8 uur voor het plaatsen van de etenswaren te activeren.

### 5.3. Aanbeveling voor het bewaren van diepvriesvoedsel

- Voorverpakte diepvriesproducten uit de winkel dienen conform de instructies van de fabrikant te worden bewaard in het vak voor diepvriesproducten.
- Om de kwaliteit van de fabrikant van de diepvriesproducten en voedingswinkels te behouden, dient u het volgende in acht te nemen:
  1. Plaats de diepvriesproducten na aankoop zo snel mogelijk in de diepvriezer.
  2. Zorg dat de inhoud van de verpakking gelabeld en gedateerd is.
  3. Overschrijd nooit de "Te gebruiken voor" of "Tenminste houdbaar tot" data op de verpakking.

### Ontdooien

Het diepvriesgedeelte ontdooit automatisch.

### 5.4. Het plaatsen van de levensmiddelen

Schappen van het diepvriesgedeelte	Verschillende ingevroren levensmiddelen zoals vlees, vis, ijs, groenten enz.
Eiergedeelte	Eieren
Schappen van het koelgedeelte	Levensmiddelen in pannen, bedekte borden, gesloten bakjes.
Deurschappen van het koelgedeelte	Kleine en verpakte levensmiddelen en drank (zoals melk, vruchtensap en bier)
Groentelade	Groente en fruit
Vershoudgedeelte	Delicatessen (kaas, boter, salami enz.)

### 5.5. Diepvriesinformatie

Om levensmiddelen in goede kwaliteit te houden, moeten ze zo snel mogelijk worden ingevroren na plaatsing in de diepvriezer.

Het is mogelijk om de levensmiddelen gedurende lange tijd op een temperatuur van -18°C of lager te bewaren.

U kunt de versheid van levensmiddelen gedurende vele maanden bewaren (bij een temperatuur van -18°C of lager in de diepvriezer).



De levensmiddelen moeten in porties worden verdeeld op basis van de dagelijkse of maaltijd gebaseerde consumptiebehoeften van het gezin. Levensmiddelen moeten luchtdicht worden verpakt om uitdroging te voorkomen, zelfs wanneer ze slechts gedurende een korte periode worden bewaard.

Benodigde materialen voor verpakking:

- Plakband dat bestand is tegen kou
- Zelfplakkende etiketten
- Elastiekjes
- Pen

Materialen die voor verpakking worden gebruikt moeten scheurvast zijn en bestand zijn tegen kou, vocht, geuren, olie en zuren.

In te vriezen levensmiddelen mogen niet in aanraking komen met eerder ingevroren stukken om gedeeltelijke ontdooiing daarvan te voorkomen.

Ontdooid voedsel moet geconsumeerd worden en mag niet opnieuw ingevroren worden.

Le nettoyage régulier du produit prolonge sa durée de vie.



**AVERTISSEMENT:**

Débranchez l'alimentation avant de nettoyer le réfrigérateur.

- N'utilisez jamais d'outils pointus et abrasifs, de savon, de produits nettoyage domestiques, d'essence, de carburant, du cirage ou des substances similaires pour le nettoyage du produit.
- Faites dissoudre une cuillerée à café de carbonate dans de l'eau. Trempez un morceau de tissu dans cette eau et essorez-le. Nettoyez soigneusement l'appareil avec ce chiffon et ensuite avec un chiffon sec.
- Veillez à ne pas mouiller le logement de la lampe ainsi que d'autres composants électriques.
- Nettoyez la porte à l'aide d'un torchon humide. Retirez tous les aliments de l'intérieur afin de démonter la porte et les étagères du châssis. Relevez les étagères de la porte pour les démonter. Nettoyez et séchez les étagères, puis refixez-les en les faisant glisser à partir du haut.
- N'utilisez pas d'eau contenant du chlore, ou des produits de nettoyage pour les surfaces externes et les pièces chromées de l'appareil. Le chlore entraîne la corrosion de ce type de surfaces métalliques.

- Évitez d'utiliser des objets tranchants ou abrasifs, du savon, des produits ménagers de nettoyage, des détergents, de l'essence, du benzène, de la cire, ect. ; autrement, les marques sur les pièces en plastique pourraient s'effacer et les pièces elles-mêmes pourraient présenter des déformations. Utilisez de l'eau tiède et un torchon doux pour nettoyer et sécher.

### 6.1. Prévention des mauvaises odeurs

À sa sortie d'usine, cet appareil ne contient aucun matériau odorant. Cependant; la conservation des aliments dans des sections inappropriées et le mauvais nettoyage de l'intérieur peuvent donner lieu aux mauvaises odeurs.

Pour éviter cela, nettoyez l'intérieur à l'aide de carbonate dissout dans l'eau tous les 15 jours.

- Conservez les aliments dans des récipients fermés. Des micro-organismes peuvent proliférer des récipients non fermés et émettre de mauvaises odeurs.
- Ne conservez pas d'aliments périmés ou avariés dans le réfrigérateur.

### 6.2. Protection des surfaces en plastique

Si de l'huile se répand sur les surfaces en plastique, il faut immédiatement les nettoyer avec de l'eau tiède, sinon elles seront endommagées.

Controleer deze lijst voor u contact opneemt met de dienst. Dit kan u tijd en geld besparen. Deze lijst omvat regelmatig voorkomende klachten die niet het resultaat zijn van gebrekkig vakmanschap of materiaal. Sommige functies die hier worden vermeld zijn mogelijk niet van toepassing op uw product.

**De koelkast werkt niet.**

- De stekker is niet volledig ingevoerd. >>> Voer de stekker volledig in het stopcontact.
- De zekering verbonden met de aansluiting die het product van stroom voorziet of de hoofdzekering is gesprongen. >>> Controleer de zekeringen.

**Condensatie op de zijwand van het koelvak (MULTI ZONE, COOL, CONTROL en FLEXI ZONE).**

- De deur werd te vaak geopend >>> Zorg ervoor de deur van het product niet te vaak wordt geopend.
- De omgeving is te vochtig. >>> Installeer het product niet in vochtige omgevingen.
- Etenswaren met vloeistoffen worden bewaard in niet afgedekte containers. >>> Bewaar de etenswaren die vloeistof bevatten in afgedekte containers.
- De deur van het product werd open gelaten. >>> Houd de deur van het product niet te lang open.
- De thermostaat is ingesteld op een te lage temperatuur. >>> Stel de thermostaat in op de gewenste temperatuur.

**De compressor werkt niet.**

- In het geval van een plotse stroompanne of als het netsnoer wordt verwijderd en opnieuw ingevoerd, is de gasdruk in het koelproduct van het product niet in evenwicht en dit schakelt de thermische beveiliging van de compressor in. Het product start opnieuw op na circa 6 minuten. Als het product na deze periode niet opnieuw start, moet u contact opnemen met de dienst.
- De ontdooifunctie is actief. >>> Dit is normaal voor een volledig automatisch ontdooiend product. Het ontdooien wordt periodiek uitgevoerd.
- De stekker van het product zit niet in het stopcontact. >>> Zorg ervoor dat de stekker in het stopcontact zit.
- De temperatuurinstelling is incorrect. >>> Selecteer de correcte temperatuurinstelling.
- De stroom is uitgeschakeld. >>> Het product blijft normaal werken zodra de stroom opnieuw wordt ingeschakeld.

**Het operationele lawaai van de koelkast wordt erger als ze in gebruik is.**

- De operationele prestaties van het product kan variëren naargelang de wisselingen in de omgevingstemperatuur. Dit is normaal en houdt geen defect in.

## Probleemoplossing

### De koelkast schakelt te vaak in of schakelt te lang in.

- Het nieuwe product kan groter zijn dan het vorige. Grotere producten werken gedurende langere perioden.
- De temperatuur in de ruimte kan hoog zijn. >>> Het product zal normaal werken gedurende lange perioden bij hogere kamertemperaturen.
- Het is mogelijk dat de stekker van het product recent in het stopcontact werd gevoerd of dat nieuwe etenswaren in het product werden geplaatst. >>> Het duurt langer voor het product om de ingestelde temperatuur te bereiken als het recent in het stopcontact werd gestoken of als er nieuwe etenswaren in het product werden geplaatst. Dit is normaal.
- Het is mogelijk dat er recent grote hoeveelheden warme etenswaren in het product werden geplaatst. >>> Plaats geen warme etenswaren in het product.
- De deuren werden vaak geopend of open gehouden voor lange perioden. >>> De warm lucht die in het product circuleert, zal ervoor zorgen dat het product langer moet werken. Open de deur niet te vaak.
- De deur van de diepvriezer of het koelvak kan op een kier staan. >>> Controleer of de deur volledig gesloten is.
- Het product kan ingesteld zijn op een te lage temperatuur. >>> Stel de temperatuur hoger in en wacht tot het product de ingestelde temperatuur bereikt.
- De sluitring van de koelvak of vriesvak deur kan vuil zijn, versleten of stuk zijn of incorrect aangebracht. >>> Reinig of vervang de sluitring. Een beschadigde / versleten deur sluitring kan er toe leiden dat het product langere perioden werkt om de huidige temperatuur te handhaven.

### De temperatuur in het vriesvak is uiterst laag maar de temperatuur in het koelvak is geschikt.

- De temperatuur in het vriesvak is bijzonder laag ingesteld. >>> Stel de temperatuur van het vriesvak in op een hogere temperatuur en controleer opnieuw.

### De temperatuur in het vriesvak is uiterst laag maar de temperatuur in het koelvak is geschikt.

- De temperatuur in het koelvak is bijzonder laag ingesteld. >>> Stel de temperatuur van het koelvak in op een hogere temperatuur en controleer opnieuw.

### De etenswaren in de laden van het koelvak zijn bevroren.

- De temperatuur in het koelvak is bijzonder laag ingesteld. >>> Stel de temperatuur van het vriesvak in op een hogere temperatuur en controleer opnieuw.

## Probleemoplossing

### De temperatuur in het koelvak of de diepvriezer is te hoog.

- De temperatuur in het koelvak is bijzonder hoog ingesteld. >>> De temperatuurinstelling in het koelvak beïnvloedt de temperatuur in het vriesvak. Wijzig de temperatuur in het koel- of vriesvak en wacht tot de relevante compartimenten de ingestelde temperatuur bereiken.
- De deuren werden vaak geopend of open gehouden voor lange perioden. >>> Open de deur niet te vaak.
- De deur kan op een kier staan. >>> Sluit de deur volledig.
- Het is mogelijk dat de stekker van het product recent in het stopcontact werd gevoerd of dat nieuwe etenswaren in het product werden geplaatst. >>> Dit is normaal. Het duurt langer voor het product om de ingestelde temperatuur te bereiken als het recent in het stopcontact werd gestoken of als er nieuwe etenswaren in het product werden geplaatst.
- Het is mogelijk dat er recent grote hoeveelheden warme etenswaren in het product werden geplaatst. >>> Plaats geen warme etenswaren in het product.

### Schudden of lawaai.

- De grond is niet horizontaal of duurzaam. >>> Als het product schudt wanneer het langzaam wordt verplaatst, moet u de voetjes instellen om het product in evenwicht te brengen. Zorg er ook voor dat de vloer voldoende duurzaam is om het product te kunnen dragen.
- Alle voorwerpen die op het product zijn geplaatst, kunnen lawaai veroorzaken. >>> Verwijder alle voorwerpen die op het product werden geplaatst.

### Het product maakt lawaai van stromende vloeistof, sprays, etc.

- De operationele principes van het product omvatten vloeistoffen en gassen >>> Dit is normaal en houdt geen defect in.

### Er komt een windgeluid voort uit het product.

- Het product gebruikt een ventilator voor de koelprocedure. Dit is normaal en houdt geen defect in.

### Er is condensatie op de interne wanden van het product.

- Warme of vochtige weersomstandigheden verhogen ijsvorming en condensatie. Dit is normaal en houdt geen defect in.
- De deuren werden vaak geopend of open gehouden voor lange perioden. >>> U mag de deur niet te vaak openen; als ze open staat, moet u de deur sluiten.
- De deur mag niet op een kier staan. >>> Sluit de deur volledig.

### Er is condensatie aanwezig op de buitenzijde van het product of tussen de deuren.

- Het weer kan vochtig zijn. Dit is normaal in vochtige weersomstandigheden. >>> De condensatie zal verdwijnen naarmate de vochtigheidsgraad daalt.



## Probleemoplossing

### De binnenzijde ruikt slecht.

- Het product wordt niet regelmatig gereinigd. >>> Maak de binnenzijde regelmatig schoon met een spons, warm water en koolzuurhoudend water.
- Sommige containers en verpakkingsmateriaal kunnen geurtjes afgeven. >>> Gebruik de containers en het verpakkingsmateriaal zonder geurtjes.
- De etenswaren werden in niet afgedekte containers geplaatst. >>> Bewaar de etenswaren in afgedekte containers. Micro-organismen kunnen zich verspreiden uit niet afgedekte etenswaren en onaangename geurtjes veroorzaken.
- Verwijder alle verstreken of bedorven etenswaren uit het product.

### De deur sluit niet.

- De verpakkingen van etenswaren mogen de deur niet blokkeren. >>> Verplaats alle voorwerpen die de deur blokkeren.
- Het product staat niet recht op de vloer. >>> Pas de voetjes aan om het product in evenwicht te brengen.
- De grond is niet horizontaal of duurzaam. >>> Zorg ervoor dat de vloer horizontaal is en voldoende duurzaam om het product te kunnen dragen.

### Het groentevak is geblokkeerd.

- De etenswaren kunnen in contact komen met de bovenste sectie van de lade. >>> Herschik de etenswaren in de lade.



**WAARSCHUWING:** Als het probleem aanhoudt nadat u de instructies in deze sectie hebt gevolgd, kunt u contact opnemen met uw verkoper of een Geautoriseerde Dienst. Probeer het product niet te repareren.

