



Freezer
User manual

Congélateur
Manuel d'utilisation

Congelador
Manual del usuario

Congelador
Manual do Utilizador



RFNE 290L41WN - RFNE290L41XBN

EN / FR / ES / PT



RECYCLED &
RECYCLABLE PAPER



PAPIER ENTièrement
RECYCLÉ ET RECYCLABLE



PAPEL RECICLADO Y
RECICLABLE



PAPEL RECICLADO E
RECICLÁVEL

Please read this user manual first!

Dear Customer,

We hope that your product, which has been produced in modern plants and checked under the most meticulous quality control procedures, will provide you an effective service.

Therefore, read this entire user manual carefully before using the product and keep it as a reference. If you handover the product to someone else, give the user manual as well.

The user manual will help you use the product in a fast and safe way.

- Read the manual before installing and operating the product.
- Make sure you read the safety instructions.
- Keep the manual in an easily accessible place as you may need it later.
- Read the other documents given with the product.

Remember that this user manual is also applicable for several other models. Differences between models will be identified in the manual.



Explanation of symbols

Throughout this user manual the following symbols are used:

 Important information or useful tips.

 Warning against dangerous conditions for life and property.

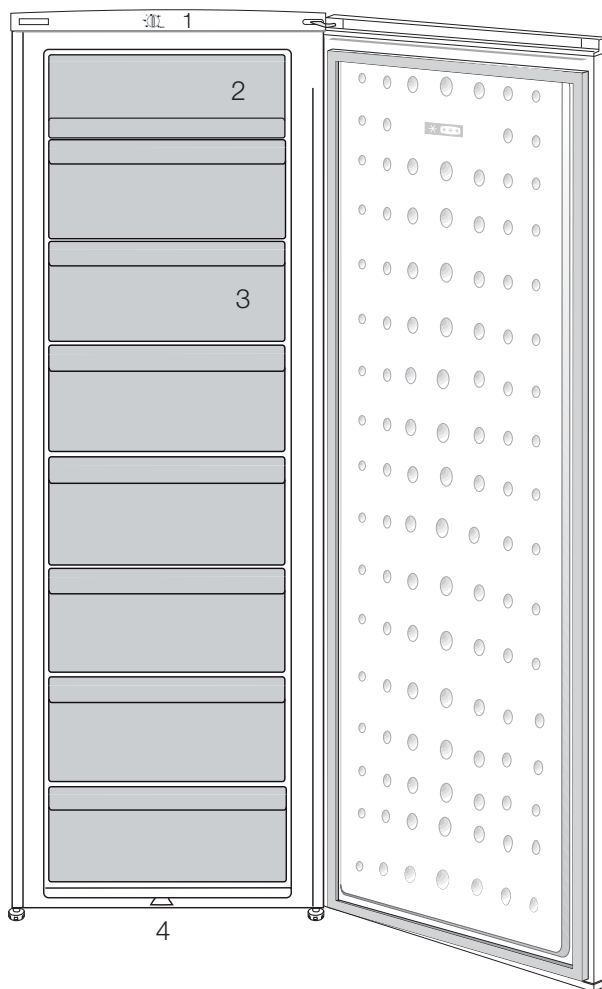
 Warning against electric voltage.

 INFORMATION	
 <p>The label shows the European Union flag, the word "ENERGY" with a lightning bolt, a QR code, and two energy efficiency classes: "A" in a green arrow pointing right and "A" in a black arrow pointing left.</p>	<p>The model information as stored in the product data base can be reached by entering following website and searching for your model identifier (*) found on energy label.</p> <p>https://eprel.ec.europa.eu/</p>

CONTENTS

1 Your freezer	6	5 Using your refrigerator	16
2 Safety and Environment Instructions	7	Setting the operating temperature.....16	
General Safety	7	Freezing.....17	
Intended Use	9	How to Freeze Fresh Foods	18
Child Safety	10	Recommendations for.....19	
Compliance with WEEE Directive and Disposing of the Waste Product	10	Preservation of.....19	
Compliance with RoHS Directive.....10		Defrosting	19
Package Information	10	Deep Freezer Information.....19	
3 Installation	11	Defrosting the frozen foods	20
Points to be paid attention to when the relocation of the refrigerator	11	6 Maintenance and cleaning	23
Electrical connection	11	Protection of plastic surfaces	23
Disposing of the packaging.....12		7 Troubleshooting	24
Disposing of your old refrigerator	12		
Placing and Installation.....12			
Adjusting the legs.....13			
4 Preparation	14		

1 Your freezer



1. Control Panel
2. Flap (Fast-Freeze compartment)
3. Drawers
4. Adjustable front feet

i Figures that take place in this instruction manual are schematic and may not correspond exactly with your product. If the subject parts are not included in the product you have purchased, then it is valid for other models.

This section provides the safety instructions necessary to prevent the risk of injury and material damage. Failure to observe these instructions will invalidate all types of product warranty.

Intended use

⚠	<p>WARNING: Keep ventilation openings, in the appliance enclosure or in the built-in structure, clear of obstruction.</p>
⚠	<p>WARNING: Do not use mechanical devices or other means to accelerate the defrosting process, other than those recommended by the manufacturer.</p>
⚠	<p>WARNING: Do not damage the refrigerant circuit.</p>
⚠	<p>WARNING: Do not use electrical appliances inside the food storage compartments of the appliance, unless they are of the type recommended by the manufacturer.</p>
⚠	<p>WARNING: Do not store explosive substances such as aerosol cans with a flammable propellant in this appliance.</p>

This appliance is intended to be used in household and similar applications such as

- staff kitchen areas in shops, offices and other working environments;

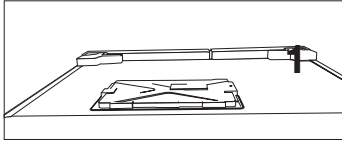
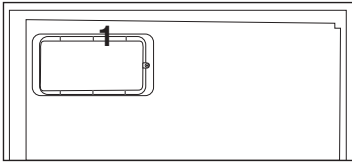
- farm houses and by clients in hotels, motels and other residential type environments;

- bed and breakfast type environments;

- catering and similar non-retail applications.

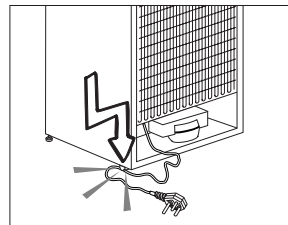
General Safety

- This product should not be used by persons with physical, sensory and mental disabilities, without sufficient knowledge and experience or by children. The device can only be used by such persons under supervision and instruction of a person responsible for their safety. Children should not be allowed to play with this device.
- In case of malfunction, unplug the device.
- After unplugging, wait at least 5 minutes before plugging in again.
- Unplug the product when not in use.
- Do not touch the plug with wet hands! Do not pull the cable to plug off, always hold the plug.
- Do not plug in the refrigerator if the socket is loose.
- Unplug the product during installation, maintenance, cleaning and repair.
- If the product will not be used for a while, unplug the product and remove any food inside.
- Do not use the product when the compartment with circuit cards located on the upper back part of the product (electrical card box cover) (1) is open.



- Do not use steam or steamed cleaning materials for cleaning the refrigerator and melting the ice inside. Steam may contact the electrified areas and cause short circuit or electric shock!
- Do not wash the product by spraying or pouring water on it! Danger of electric shock!
- In case of malfunction, do not use the product, as it may cause electric shock. Contact the authorized service before doing anything.
- Plug the product into an earthed socket. Earthing must be done by a qualified electrician.
- If the product has LED type lighting, contact the authorized service for replacing or in case of any problem.
- Do not touch frozen food with wet hands! It may adhere to your hands!
- Do not place liquids in bottles and cans into the freezer compartment. They may burst out!
- Place liquids in upright position after tightly closing the lid.
- Do not spray flammable substances near the product, as it may burn or explode.

- Do not keep flammable materials and products with flammable gas (sprays, etc.) in the refrigerator.
- Do not place containers holding liquids on top of the product. Splashing water on an electrified part may cause electric shock and risk of fire.
- Exposing the product to rain, snow, sunlight and wind will cause electrical danger. When relocating the product, do not pull by holding the door handle. The handle may come off.
- Take care to avoid trapping any part of your hands or body in any of the moving parts inside the product.
- Do not step or lean on the door, drawers and similar parts of the refrigerator. This will cause the product to fall down and cause damage to the parts.
- Take care not to trap the power cable.



- When positioning the appliance, ensure the supply cord is not trapped or damaged.
- Do not locate multiple portable socket-outlets or portable power supplies at the rear of the appliance.
- Children aged from 3 to 8 years

are allowed to load and unload refrigerating appliances.

- To avoid contamination of food, please respect the following instructions:
- – Opening the door for long periods can cause a significant increase of the temperature in the compartments of the appliance.
- – Clean regularly surfaces that can come in contact with food and accessible drainage systems.
- – Clean water tanks if they have not been used for 48 h; flush the water system connected to a water supply if water has not been drawn for 5 days.
- – Store raw meat and fish in suitable containers in the refrigerator, so that it is not in contact with or drip onto other food.
- – Two-star frozen-food compartments are suitable for storing pre-frozen food, storing or making icecream and making ice cubes.
- – One-, two- and three-star compartments are not suitable for the freezing of fresh food.
- – If the refrigerating appliance is left empty for long periods, switch off, defrost, clean, dry, and leave the door open to prevent mould developing within the appliance.

1.1.1 HC Warning

If the product comprises a cooling system using R600a gas, take care to avoid damaging the cooling system and its pipe while using and moving the product. This gas is flammable. If

the cooling system is damaged, keep the product away from sources of fire and ventilate the room immediately.



The label on the inner left side indicates the type of gas used in the product.

1.1.2 For Models with Water Dispenser

- Pressure for cold water inlet shall be maximum 90 psi (6.2 bar). If your water pressure exceeds 80 psi (5.5 bar), use a pressure limiting valve in your mains system. If you do not know how to check your water pressure, ask for the help of a professional plumber.
- If there is risk of water hammer effect in your installation, always use a water hammer prevention equipment in your installation. Consult Professional plumbers if you are not sure that there is no water hammer effect in your installation.
- Do not install on the hot water inlet. Take precautions against of the risk of freezing of the hoses. Water temperature operating interval shall be 33°F (0.6°C) minimum and 100°F (38°C) maximum.
- Use drinking water only.

Intended Use

- This product is designed for home use. It is not intended for commercial use.
- The product should be used to store food and beverages only.
- Do not keep sensitive products requiring controlled temperatures (vaccines, heat sensitive medication, medical supplies, etc.) in the refrigerator.

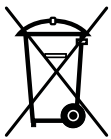
- The manufacturer assumes no responsibility for any damage due to misuse or mishandling.
- Original spare parts will be provided for 10 years, following the product purchasing date.

Child Safety

- Keep packaging materials out of children's reach.
- Do not allow the children to play with the product.
- If the product's door comprises a lock, keep the key out of children's reach.

Compliance with WEEE Directive and Disposing of the Waste Product

This product complies with EU WEEE Directive (2012/19/EU). This product bears a classification symbol for waste electrical and electronic equipment (WEEE).



This product has been manufactured with high quality parts and materials which can be reused and are suitable for recycling.

Do not dispose of the waste product with normal domestic and other wastes at the end of its service life. Take it to the collection center for the recycling of electrical and electronic equipment. Please consult your local authorities to learn about these collection centers.

Compliance with RoHS Directive

- This product complies with EU WEEE Directive (2011/65/EU). It does not contain harmful and prohibited materials specified in the Directive.

Package Information

Packaging materials of the product are manufactured from recyclable materials in accordance with our National Environment Regulations. Do not dispose of the packaging materials together with the domestic or other wastes. Take them to the packaging material collection points designated by the local authorities.

3 Installation

⚠ In case the information which are given in the user manual are not taken into account, manufacturer will not assume any liability for this.

Points to be paid attention to when the relocation of the refrigerator

1. Your refrigerator should be unplugged. Before transportation of your refrigerator, it should be emptied and cleaned.

2. Before it is re-packaged, shelves, accessories, crisper, etc. inside your refrigerator should be fixed with adhesive tape and secured against impacts. Package should be bound with a thick tape or sound ropes and the transportation rules on the package should be strictly observed.

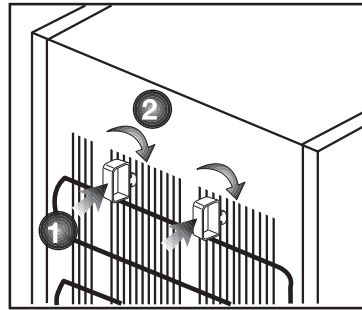
3. Original packaging and foam materials should be kept for future transportations or moving.

Before you start the refrigerator, **Check the following before you start to use your refrigerator:**

1. Attach 2 plastic wedges as illustrated below. Plastic wedges are intended to keep the distance which will ensure the air circulation between your refrigerator and the wall. (The picture is drawn up as a representation and it is not identical with your product.)

2. Clean the interior of the refrigerator as recommended in the "Maintenance and cleaning" section.

3. Connect the plug of the refrigerator to the wall socket. When the fridge door is opened, fridge internal lamp will turn on.



4. When the compressor starts to operate, a sound will be heard. The liquid and gases sealed within the refrigeration system may also give rise to noise, even if the compressor is not running and this is quite normal.

5. Front edges of the refrigerator may feel warm. This is normal. These areas are designed to be warm to avoid condensation.

Electrical connection

Connect your product to a grounded socket which is being protected by a fuse with the appropriate capacity.

Important:

The connection must be in compliance with national regulations.

- The power plug must be easily accessible after installation.
- Electrical safety of your refrigerator shall be guaranteed only if the earth system in your house complies with standards.
- The voltage stated on the label located at left inner side of your product should be equal to your network voltage.

- Extension cables and multi plugs must not be used for connection.
- ⚠ A damaged power cable must be replaced by a qualified electrician.
- ⚠ Product must not be operated before it is repaired! There is the risk of electric shock!

Disposing of the packaging

The packing materials may be dangerous for children. Keep the packing materials out of the reach of children or dispose of them by classifying them in accordance with the waste instructions stated by your local authorities. Do not throw away with regular house waste, throw away on packaging pick up spots designated by the local authorities.

The packing of your refrigerator is produced from recyclable materials.

Disposing of your old refrigerator

Dispose of your old refrigerator without giving any harm to the environment.

- You may consult your authorized dealer or waste collection center of your municipality about the disposal of your refrigerator.

Before disposing of your refrigerator, cut out the electric plug and, if there are any locks on the door, make them inoperable in order to protect children against any danger.

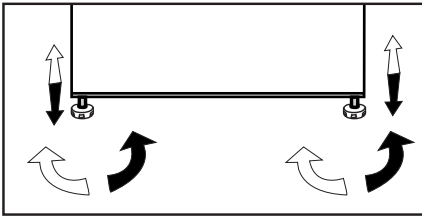
Placing and Installation

⚠ If the entrance door of the room where the refrigerator will be installed is not wide enough for the refrigerator to pass through, then call the authorized service to have them remove the doors of your refrigerator and pass it sideways through the door.

1. Install your refrigerator to a place that allows ease of use.
2. Keep your refrigerator away from heat sources, humid places and direct sunlight.
3. There must be appropriate air ventilation around your refrigerator in order to achieve an efficient operation. If the refrigerator is to be placed in a recess in the wall, there must be at least 5 cm distance with the ceiling and at least 5 cm with the wall. Do not place your product on the materials such as rug or carpet.
4. Place your refrigerator on an even floor surface to prevent jolts.

Adjusting the legs

If your refrigerator is unbalanced;
You can balance your refrigerator by turning its front legs as illustrated in the figure. The corner where the leg exists is lowered when you turn in the direction of black arrow and raised when you turn in the opposite direction. Taking help from someone to slightly lift the refrigerator will facilitate this process.



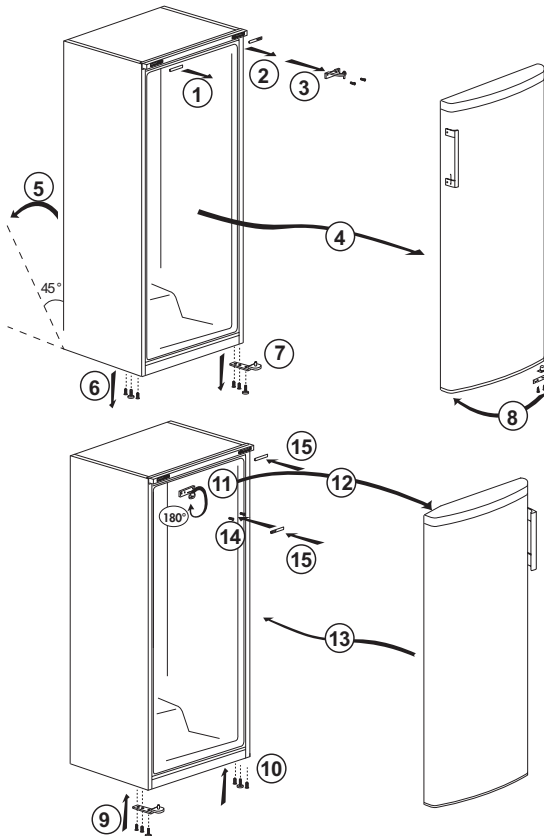
4 Preparation

- For a freestanding appliance; 'this refrigerating appliance is not intended to be used as a built-in appliance.
- Your cooler/freezer should be installed at least 30 cm away from heat sources such as hobs, ovens, central heater and stoves and at least 5 cm away from electrical ovens and should not be located under direct sunlight.
- Please make sure that the interior of your cooler/freezer is cleaned thoroughly.
- If two coolers are to be installed side by side, there should be at least 2 cm distance between them.
- When you operate your cooler/freezer for the first time, please observe the following instructions during the initial six hours.
- Its door should not be opened frequently.
- It must be operated empty without placing any food in it.
- Do not unplug your cooler/freezer. If a power failure occurs out of your control, please see the warnings in the "Recommended solutions for the problems" section.
- The baskets/drawers that are provided with the chill compartment must always be in use for low energy consumption and for better storage conditions.
- Food contact with the temperature sensor in the freezer compartment may increase energy consumption of the appliance. Thus any contact with the sensor(s) must be avoided.
- This product has been designed to function at ambient temperatures up to 43 °C (90 SDgrF). Even if the ambient temperature falls to -15 °C, frozen food in the freezer does not thaw thanks to its Advanced Electronic Temperature Control System. For the first installation, the product should NOT be placed under low ambient temperatures. This is because the freezer cannot go down to standard operation temperature. When reaching continuous operation, the product can be moved to another place. Thus, later you can place your product in the garage or an unheated room without the concern of causing frozen food to get rotten. However, it is likely that above mentioned low temperatures may cause the freezing of the food in the fridge compartment; thus, please consume the food items in the fridge in a controlled way as needed. When ambient temperature goes back to normal, you may change button setting according to your need.
- If the ambient temperature is below 0°C, the food in fridge compartment will freeze. Therefore, we recommend not using the fridge compartment in such low ambient temperatures. You may continue to use the freezer compartment as usual.
- In some models, the instrument panel automatically turns off 5 minutes after the door has closed. It will be reactivated when the door has opened or pressed on any key.

- Due to temperature change as a result of opening/closing the product door during operation, condensation on the door/body shelves and the glass containers is normal.
- Since hot and humid air will not directly penetrate into your product when the doors are not opened, your product will optimize itself in conditions sufficient to protect your food. Functions and components such as compressor, fan, heater, defrost, lighting, display and so on will operate according to the needs to consume minimum energy under these circumstances.

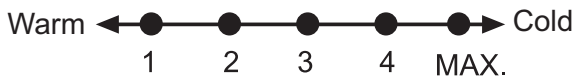
Reversing the doors

Proceed in numerical order .



5 Using your refrigerator

Setting the operating temperature



The operating temperature is regulated by the temperature control.

1 = Lowest cooling setting (Warmest setting)

4 = Highest cooling setting (Coldest setting)

* Additionally activities quick fridge function.

Please choose the setting according to the desired temperature.

The interior temperature also depends on ambient temperature, the frequency with which the door is opened and the amount of foods kept inside.

Frequently opening the door causes the interior temperature to rise.

For this reason, it is recommended to close the door again as soon as possible after use.

The normal storage temperature of your appliance should be -18°C (0°F). Lower temperatures can be obtained by adjusting the thermostat knob towards Position 4.

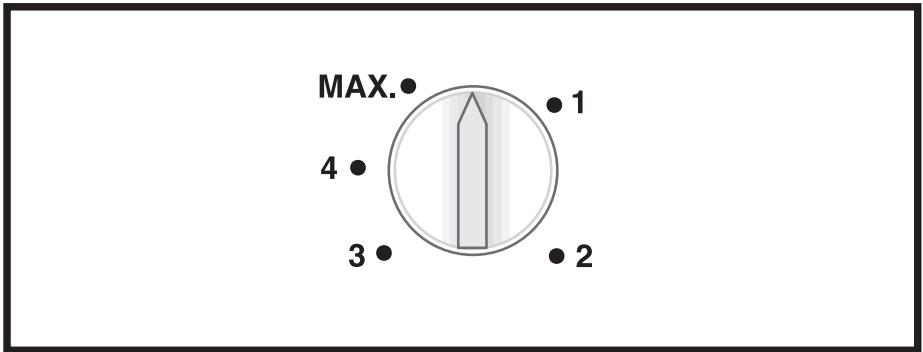
We recommend checking the temperature with a thermometer to ensure that the storage compartments are kept to the desired temperature. Remember to take the reading immediately since the thermometer temperature will rise very rapidly after you remove it from the freezer.

Thermostat knob

The thermostat knob is located on the top trim.

Important:

When you press the fast-freeze switch or adjust the set temperature, there may be a short delay before the compressor starts to operate. This is normal and not a compressor fault.



Freezing

Freezing food

You can use the appliance for freezing fresh food as well as for storing pre-frozen food.

Please refer to the recommendations given on the packaging of your food.

- **Attention**

Do not freeze fizzy drinks, as the bottle may burst when the liquid in it is frozen.

Be careful with frozen products such as coloured ice-cubes.

Do not exceed the freezing capacity of your appliance in 24 hours. See the rating label.

In order to maintain the quality of the food, the freezing must be effected as rapidly as possible.

Thus, the freezing capacity will not be exceeded, and the temperature inside the freezer will not rise.

- **Attention**

Keep the already deep-frozen food always separated with freshly placed food.

When deep-freezing hot food, the cooling compressor will work until the food is completely frozen. This can temporarily cause excessive cooling of the refrigeration compartment.

If you find the freezer door difficult to open just after you have closed it, don't worry. This is due to the pressure difference which will equalize and allow the door to open normally after a few minutes.

You will hear a vacuum sound just after closing the door. This is quite normal.

Fast freeze

If large amounts of fresh food are going to be frozen, adjust the control knob to max. 24 hours before putting the fresh food in the fast freeze compartment.

It is strongly recommended to keep the knob at MAX. position at least 24 hours to freeze maximum amount of fresh food declared as freezing capacity. Take special care not to mix frozen food and fresh food.

Remember to turn the thermostat knob back to its previous position once food has frozen.

How to Freeze Fresh Foods

- Foods to be frozen must be divided into portions according to a size to be consumed, and frozen in separate packages. In this way, all the food should be prevented from being re-frozen by thawing.
- In order to protect the nutritional value, the aroma and the color of the foods as much as possible, vegetables should be boiled for a short period of time before freezing. (Boiling is not necessary for foods such as cucumber, parsley.) Cooking time of the vegetables frozen in this way is shortened by 1/3 than that of the fresh vegetables.
- To extend the storage times of frozen foods, boiled vegetables must first be filtered and then hermetically packaged as in the all types of foods.
- Foods should not be placed in the freezer compartment without package.
- The packaging material of the food to be stored should be air-tight, thick and durable and should not deform with cold and humidity. Otherwise, the food that is hardened by freezing might pierce the package. Sealing the package well is also important in terms of securely storing the food.

The following packaging types are suitable for use to freeze the food:

Polyethylene bag, aluminum foil, plastic foil, vacuum bags and cold-resistant storage containers with caps.

The use of the following types of packaging is not recommended to freeze the food;

Packaging paper, parchment paper, cellophane (gelatin paper), garbage bag, used bags and shopping bags.

- Hot foods should not be placed in the freezer compartment without cooling.
- When placing unfrozen fresh foods in the freezer compartment, please note that it does not contact with frozen foods. Cool-pack (PCM) can be placed to the rack immediately below the quick freezer rack for preventing them from being getting warm.
- During the freezing time (24 hours) do not place other food to the freezer.
- Place your foods to the freezing shelves or racks by spreading them so that they will not be cramped (it is recommended that the packaging does not come into contact with each other).
- Frozen foods must be immediately consumed in a short period of time after defrosting and must never be frozen again.
- Do not block the ventilation holes by putting your frozen foods in front of the ventilation holes located on the back surface.

- We recommend you to attach a label onto the package and write the name of the foods in the package and the freezing time.

Foods suitable for freezing:

- Fish and seafood, red and white meat, poultry, vegetables, fruit, herbaceous spices, dairy products (such as cheese, butter and strained yoghurt), pastries, ready or cooked meals, potato dishes, soufflé and desserts.

Foods not suitable for freezing:

- Yoghurt, sour milk, cream, mayonnaise, leaved salad, red radish, grapes, all fruits (such as apple, pears and peaches).
- For foods to be frozen quickly and thoroughly, the following specified amounts per package should not be exceeded.

-Fruits and vegetables, 0.5-1 kg

-Meat, 1-1.5 kg

- A small amount of foods (maximum 2 kg) can also be frozen without the use of the quick freezing function.

To obtain the best result, apply the following instructions:

1. Activate the quick freezing function 24 hours before placing your fresh foods.
2. 24 hours after pressing the button, firstly place your food that you want to freeze to the third drawer from the bottom with higher freezing capacity. If you have food remained, place them in front of the second drawer from the bottom.
3. The quick freezing function will be automatically inactivated after 50 hours.

4. Do not try to freeze a large quantity of food at a time. Within 24 hours, this product can freeze the maximum food quantity specified as «Freezing Capacity ... kg/24 hours» on its type label. It is not convenient to put more unfrozen/fresh foods to the freezer compartment than the quantity specified on the label.

- You can review the Meat and Fish, Vegetables and Fruits, Dairy Products tables for placing and storing your foods in the deep-freezer.

Recommendations for

Preservation of

Frozen Foods

- While purchasing your frozen foods, make sure that they are frozen at appropriate temperatures and their packages are not broken.
- Put the packages on the freezer compartment as soon as possible after purchasing them.
- Make sure that the expiration date indicated on the packaging is not expired before consuming the packaged ready meals that you remove from the freezer compartment.

Defrosting

The ice in the freezer compartments is automatically thawed.

Deep Freezer Information

The EN 62552 standard requires (according to specific measurement conditions) that at least 4.5 kg of food for each 100 liter of freezer compartment volume can be frozen at a room temperature of 25°C in 24 hours.

Defrosting the frozen foods

Depending on the food diversity and the purpose of use, a selection can be made between the following options for defrosting:

- At room temperature (it is not very suitable to defrost the food by leaving it at room temperature for a long time in terms of maintaining the food quality)
- In the refrigerator
- In the electrical oven (in models with or without fan)

- In the microwave oven

CAUTION:

- Never put acidic beverages in glass bottles and cans into your freezer due to the risk of explosion.
- If there is moisture and abnormal swelling in the packaging of frozen foods, it is likely that they were previously stored in an improper storage condition and their contents deteriorated. Do not consume these foods without checking.
- Since some spices in cooked meals may change their taste when exposed to long-term storage conditions, your frozen foods should be less seasoned or the desired spices should be added to the foods after the thawing process.

Recommended Temperature Settings

Freezer compartment setting	Remarks
-20 °C	This is the default recommended temperature setting.
-21,-22,-23 or -24 oC	These settings are recommended when the ambient temperature is higher than 30°C or when you think the refrigerator is not cool enough due to frequent opening and closing of the door.
Quick Freezing	Use when you want to freeze your food in a short time. It is recommended to be applied to preserve the quality of your fresh food. You do not need to use the quick freezing function when putting your frozen food. You do not need to use the quick freezing function to freeze a small amount of fresh food, up to 2 kg per day.

Meat and Fish			Preparation	Longest storage time (month)	
Meat products	Veal	Steak	By cutting them 2 cm thick and placing foil between them or wrapping tightly with stretch	6 - 8	
		Roast	By packing the pieces of meat in a refrigerator bag or wrapping them tightly with stretch	6 - 8	
		Cubes	In small pieces	6 - 8	
		Schnitzel, chops	By placing foil between cut slices or wrapping individually with stretch	6 - 8	
	Mutton	Chops	By placing foil between meat pieces or wrapping individually with stretch	4 - 8	
		Roast	By packing the pieces of meat in a refrigerator bag or wrapping them tightly with stretch	4 - 8	
		Cubes	By packing the shredded meats in a refrigerator bag or wrapping them tightly with stretch	4 - 8	
	Beef	Roast	By packing the pieces of meat in a refrigerator bag or wrapping them tightly with stretch	8-12	
		Steak	By cutting them 2 cm thick and placing foil between them or wrapping tightly with stretch	8-12	
		Cubes	In small pieces	8-12	
		B o i l e d meat	By packaging in small pieces in a refrigerator bag	8-12	
	Mince		Without seasoning, in flat bags		1 - 3
	Offal (piece)		In pieces		1 - 3
	Fermented sausage - Salami		It should be packaged even if it has casing.		1-2
Jambon		By placing foil between cut slices		2-3	
Poultry and hunting animals	Chicken and Turkey		By wrapping in foil	4 - 6	
	Goose		By wrapping in foil (portions should not exceed 2.5 kg)	4 - 6	
	Duck		By wrapping in foil (portions should not exceed 2.5 kg)	4-6	
	Deer, Rabbit, Roe Deer		By wrapping in foil (portions should not exceed 2.5 kg, and their bones should be separated)	6 - 8	
Fish and seafood	Freshwater fish (Trout, Carp, Crane, Catfish)		After thoroughly cleaning the inside and scales, it should be washed and dried, and the tail and head parts should be cut when necessary.	2	
	Lean fish (Sea bass, Turbot, Sole)			4-6	
	Fatty fish (Bonito, Mackerel, Bluefish, Red Mullet, Anchovy)			2 - 4	
	Shellfish		Cleaned and in bags	4 - 6	
	Caviar		In its packaging, in an aluminum or plastic container		2 - 3

Fruits and Vegetables	Preparation	Longest storage time (month)
String bean and Pole bean	By shock boiling for 3 minutes after washing and cutting into small pieces	10 - 13
Green pea	By shock boiling for 2 minutes after shelling and washing	10-12
Cabbage	By shock boiling for 1-2 minute(s) after cleaning	6 - 8
Carrot	By shock boiling for 3-4 minutes after cleaning and cutting into slices	12
Pepper	By boiling for 2-3 minutes after cutting the stem, dividing into two and separating the seeds	8 - 10
Spinach	By shock boiling for 2 minutes after washing and cleaning	6 - 9
Leek	By shock boiling for 5 minutes after chopping	6-8
Cauliflower	By shock boiling in a little lemon water for 3-5 minutes after separating the leaves, cutting the core into pieces	10 - 12
Eggplant	By shock boiling for 4 minutes after washing and cutting into 2cm pieces	10 - 12
Squash	By shock boiling for 2- 3 minutes after washing and cutting into 2cm pieces	8-10
Mushroom	By lightly sauteing in oil and squeezing lemon on it	2-3
Corn	By cleaning and packing in cob or granular	12
Apple and Pear	By shock boiling for 2-3 minutes after peeling and slicing	8 - 10
Apricot and Peach	Divide in half and extract the seeds	4 - 6
Strawberry and Raspberry	By washing and shelling	8 - 12
Baked fruit	By adding 10% sugar in the container	12
Plum, Cherry, Sour Cherry	By washing and shelling the stalks	8 - 12

Dairy Products	Preparation	Longest Storage Time ((Month	Storage Conditions
Cheese (except feta cheese)	By placing foil therebetween, in slices	6 - 8	It can be left in its original packaging for short term storage. For long-term storage it should also be wrapped in aluminum or plastic foil.
Butter, margarine	In its own packaging	6	In its own packaging or in plastic containers

6 Maintenance and cleaning

- ⚠ Never use gasoline, benzene or similar substances for cleaning purposes.
- ⚠ We recommend that you unplug the appliance before cleaning.
- ⚠ Never use any sharp abrasive instrument, soap, household cleaner, detergent and wax polish for cleaning.
- ℹ Use lukewarm water to clean the cabinet of your cooler/freezer and wipe it dry.
- ℹ Use a damp cloth wrung out in a solution of one teaspoon of bicarbonate of soda to one pint of water to clean the interior and wipe it dry.
- ⚠ Make sure that no water enters the lamp housing and other electrical items.
- ⚠ If your cooler/freezer is not going to be used for a long period of time, unplug the power cable, remove all food, clean it and leave the door ajar.
- ℹ Check door seals regularly to ensure they are clean and free from food particles.
- ⚠ To remove door racks, remove all the contents and then simply push the door rack upwards from the base.
- ⚠ Never use cleaning agents or water that contain chlorine to clean the outer surfaces and chromium coated parts of the product. Chlorine causes corrosion on such metal surfaces.
- ⚠ Do not use sharp, abrasive tools, soap, household cleaning agents, detergents, kerosene, fuel oil, varnish etc. to prevent removal and deformation of the prints on the plastic part. Use lukewarm water and a soft cloth for cleaning and then wipe it dry.

Protection of plastic surfaces

- ℹ Do not put the liquid oils or oil-cooked meals in your cooler/freezer in unsealed containers as they damage the plastic surfaces of your cooler/freezer. In case of spilling or smearing oil on the plastic surfaces, clean and rinse the relevant part of the surface at once with warm water.

7 Troubleshooting

Please review this list before calling the service. It will save your time and money. This list includes frequent complaints that are not arising from defective workmanship or material usage. Some of the features described here may not exist in your product.

The refrigerator does not operate.

- The plug is not inserted into the socket correctly. >>> Insert the plug into the socket securely.
- The fuse of the socket which your refrigerator is connected to or the main fuse have blown out. >>> Check the fuse.

Condensation on the side wall of the fridge compartment (MULTIZONE, COOL CONTROL and FLEXI ZONE).

- Door has been opened frequently. >>> Do not open and close the door of refrigerator frequently.
- Ambient is very humid. >>> Do not install your refrigerator into highly humid places.
- Food containing liquid is stored in open containers. >>> Do not store food with liquid content in open containers.
- Door of the refrigerator is left ajar. >>> Close the door of the refrigerator.
- Thermostat is set to a very cold level. >>> Set the thermostat to a suitable level.

Compressor is not running

- Protective thermic of the compressor will blow out during sudden power failures or plug-out plug-ins as the refrigerant pressure in the cooling system of the refrigerator has not been balanced yet. The refrigerator will start running approximately after 6 minutes. Please call the service if the refrigerator does not startup at the end of this period.
- The fridge is in defrost cycle. >>> This is normal for a full-automatically defrosting refrigerator. Defrosting cycle occurs periodically.
- The refrigerator is not plugged into the socket. >>> Make sure that the plug is fit into the socket.
- Temperature settings are not made correctly. >>> Select the suitable temperature value.
- There is a power outage. >>> Refrigerator returns to normal operation when the power restores.

The operation noise increases when the refrigerator is running.
<ul style="list-style-type: none"> The operating performance of the refrigerator may change due to the changes in the ambient temperature. It is normal and not a fault.
The refrigerator is running frequently or for a long time.
<ul style="list-style-type: none"> New product may be wider than the previous one. Larger refrigerators operate for a longer period of time. The room temperature may be high. >>>It is normal that the product operates for longer periods in hot ambient. The refrigerator might be plugged in recently or might be loaded with food. >>>When the refrigerator is plugged in or loaded with food recently, it will take longer for it to attain the set temperature. This is normal. Large amounts of hot food might be put in the refrigerator recently. >>>Do not put hot food into the refrigerator. Doors might be opened frequently or left ajar for a long time. >>>The warm air that has entered into the refrigerator causes the refrigerator to run for longer periods. Do not open the doors frequently. Freezer or fridge compartment door might be left ajar. >>>Check if the doors are closed completely. The refrigerator is adjusted to a very low temperature. >>>Adjust the refrigerator temperature to a warmer degree and wait until the temperature is achieved. Door seal of the fridge or freezer may be soiled, worn out, broken or not properly seated. >>>Clean or replace the seal. Damaged/broken seal causes the refrigerator to run for a longer period of time in order to maintain the current temperature.
Freezer temperature is very low while the fridge temperature is sufficient.
<ul style="list-style-type: none"> The freezer temperature is adjusted to a very low value. >>>Adjust the freezer temperature to a warmer degree and check.
Fridge temperature is very low while the freezer temperature is sufficient.
<ul style="list-style-type: none"> The fridge temperature is adjusted to a very low value. >>>Adjust the fridge temperature to a warmer degree and check.
Food kept in the fridge compartment drawers is frozen.
<ul style="list-style-type: none"> The fridge temperature is adjusted to a very high value. >>>Adjust the fridge temperature to a lower value and check.

Temperature in the fridge or freezer is very high.

- The fridge temperature is adjusted to a very high value. >>>Fridge compartment temperature setting has an effect on the temperature of the freezer. Change the temperatures of the fridge or freezer and wait until the relevant compartments attain a sufficient temperature.
- Doors are opened frequently or left ajar for a long time. >>>Do not open the doors frequently.
- Door is ajar. >>>Close the door completely.
- The refrigerator is plugged in or loaded with food recently. >>>This is normal. When the refrigerator is plugged in or loaded with food recently, it will take longer for it to attain the set temperature.
- Large amounts of hot food might be put in the refrigerator recently. >>>Do not put hot food into the refrigerator.

Vibrations or noise.

- The floor is not level or stable. >>> If the refrigerator rocks when moved slowly, balance it by adjusting its feet. Also make sure that the floor is strong enough to carry the refrigerator, and level.
- The items put onto the refrigerator may cause noise. >>>Remove the items on top of the refrigerator.

There are noises coming from the refrigerator like liquid flowing, spraying, etc.

- Liquid and gas flows occur in accordance with the operating principles of your refrigerator. It is normal and not a fault.

Whistle comes from the refrigerator.

- Fans are used in order to cool the refrigerator. It is normal and not a fault.

Condensation on the inner walls of refrigerator.

- Hot and humid weather increases icing and condensation. It is normal and not a fault.
- Doors are opened frequently or left ajar for a long time. >>>Do not open the doors frequently. Close them if they are open.
- Door is ajar. >>>Close the door completely.

Humidity occurs on the outside of the refrigerator or between the doors.

- There might be humidity in the air; this is quite normal in humid weather. When the humidity is less, condensation will disappear.

Bad odour inside the refrigerator.

- No regular cleaning is performed. >>> Clean the inside of the refrigerator regularly with a sponge, lukewarm water or carbonate dissolved in water.
- Some containers or package materials may cause the smell. >>> Use a different container or different brand packaging material.
- Food is put into the refrigerator in uncovered containers. >>> Keep the food in closed containers. Microorganisms spreading out from uncovered containers can cause unpleasant odours.
- Remove the foods that have expired best before dates and spoiled from the refrigerator.

The door is not closing.

- Food packages are preventing the door from closing. >>> Replace the packages that are obstructing the door.
- The refrigerator is not completely even on the floor. >>> Adjust the feet to balance the refrigerator.
- The floor is not level or strong. >>> Make sure that the floor is level and capable to carry the refrigerator.

Crispers are stuck.

- The food is touching the ceiling of the drawer. >>> Rearrange food in the drawer.

DISCLAIMER / WARNING

Some (simple) failures can be adequately handled by the end-user without any safety issue or unsafe use arising, provided that they are carried out within the limits and in accordance with the following instructions (see the “Self-Repair” section).

Therefore, unless otherwise authorized in the “Self-Repair” section below, repairs shall be addressed to registered professional repairers in order to avoid safety issues. A registered professional repairer is a professional repairer that has been granted access to the instructions and spare parts list of this product by the manufacturer according to the methods described in legislative acts pursuant to Directive 2009/125/EC.

However, only the service agent (i.e. authorized professional repairers) that you can reach through the phone number given in the user manual/warranty card or through your authorized dealer may provide service under the guarantee terms. Therefore, please be advised that repairs by professional repairers (who are not authorized by Beko) shall void the guarantee.

Self-Repair

Self-repair can be done by the end-user with regard to the following spare parts: door handles, door hinges, trays, baskets and door gaskets (an updated list is also available in support.beko.com as of 1st March 2021).

Moreover, to ensure product safety and to prevent risk of serious injury, the mentioned self-repair shall be done following the instructions in the user manual for self-repair or which are available in support.beko.com. For your safety, unplug the product before attempting any self-repair.

Repair and repair attempts by end-users for parts not included in such list and/or not following the instructions in the user manuals for self-repair or which are available in support.beko.com, might give rise to safety issues not attributable to Beko, and will void the warranty of the product.

Therefore, it is highly recommended that end-users refrain from the attempt to carry out repairs falling outside the mentioned list of spare parts, contacting in such cases authorized professional repairers or registered professional repairers. On the contrary, such attempts by end-users may cause safety issues and damage the product and subsequently cause fire, flood, electrocution and serious personal injury to occur.

By way of example, but not limited to, the following repairs must be addressed to authorized professional repairers or registered professional repairers: compressor, cooling circuit, main board, inverter board, display board, etc.

The manufacturer/seller cannot be held liable in any case where end-users do not comply with the above.

The spare part availability of the refrigerator that you purchased is 10 years.
During this period, original spare parts will be available to operate the refrigerator properly

The minimum duration of guarantee of the refrigerator that you purchased is 24 months.

Veillez d'abord lire ce manuel d'utilisation !

Chère cliente, cher client,

Nous aimerions que vous soyez entièrement satisfait de notre appareil, fabriqué dans des infrastructures modernes et ayant fait l'objet d'un contrôle de qualité minutieux.

À cet effet, veuillez lire en intégralité le manuel d'utilisation avant d'utiliser cet appareil, et conservez-le pour références ultérieures. Si vous offrez cet appareil à une autre personne, remettez-lui également le manuel d'utilisation.

Le manuel d'utilisation garantit l'utilisation rapide et sécurisée du réfrigérateur.

- Veuillez lire le manuel d'utilisation avant d'installer et d'utiliser le réfrigérateur,
- Respectez toujours les instructions de sécurité en vigueur,
- Tenez le manuel d'utilisation à portée pour références ultérieures,
- Veuillez lire tous les autres documents fournis avec l'appareil,

Veillez noter que ce manuel d'utilisation peut se rapporter à plusieurs modèles de cet appareil. Le manuel indique clairement toutes les différences entre les modèles.

Symboles et commentaires

Les symboles suivants sont utilisés dans le manuel d'utilisation :

	Informations importantes et renseignements utiles,
	Avertissement relatif aux conditions dangereuses pour la vie et la propriété,
	Risque d'électrocution,
	L'emballage de l'appareil a été fabriqué à partir de matériaux recyclables, conformément à la législation nationale en matière d'environnement,



 INFORMATIONS	
 <p>SUPPLIER'S NAME → MODEL IDENTIFIER (*)</p> <p>A → A</p>	<p>Vous pouvez accéder aux informations relatives au modèle telles que sauvegardées dans la base de données des produits en entrant le site internet suivant et en recherchant l'identifiant de votre modèle (*) qui se trouve sur la vignette énergie</p> <p>https://eprel.ec.europa.eu/</p>

Table des matières

1 Instructions en matière de sécurité et d'environnement 3

Sécurité générale.....	3
Avertissement sur l'usage de fluides frigorigènes.....	5
Pour les modèles avec distributeur d'eau reliés à l'eau courante.....	5
Utilisation prévue.....	5
Sécurité enfants.....	6
Conformité avec la directive DEEE et mise au rebut de votre ancien appareil	6
Conformité avec la directive RoHS	6
Informations relatives à l'emballage.....	6

2 Votre congélateur 7

3 Installation 8

Éléments à prendre en considération lors du déplacement de votre réfrigérateur	8
Avant de mettre votre réfrigérateur en marche.....	8
Branchement électrique.....	9
Mise au rebut de l'emballage.....	9
Mise au rebut de votre ancien réfrigérateur.....	9
Disposition et Installation.....	10
Réversibilité des portes.....	11

4 Préparation 12

5 Utilisation du congélateur / réfrigérateur 14


Utilisation Aliments frais	17
Recommandations pour la conservation des aliments congelés.....	18
Dégivrage	18
Congélateur Informations.....	18
Décongélation des aliments congelés	19
Réglages de température recommandés	19

6 Entretien et nettoyage 22

7 Dépannage 23

Cette section fournit les instructions de sécurité nécessaires à la prévention des risques de blessures ou de dommage matériel. Le non-respect de ces instructions annule tous les types de garantie de l'appareil.

1.1. Sécurité générale

	REMARQUE : Assurez-vous que les trous d'aération ne sont pas fermés quand le dispositif est dans son boîtier ou est installé à sa place.
	REMARQUE : Ne pas utiliser tout dispositif mécanique ou un autre dispositif hors des recommandations du fabricant pour accélérer le processus de décongeler.
	REMARQUE : Ne pas utiliser des appareils électriques non prévus par le fabricant dans les compartiments de conservation des aliments.
	REMARQUE : Ne pas utiliser des appareils électriques non prévus par le fabricant dans les compartiments de conservation des aliments.



AVERTISSEMENT:

Ne conservez pas de substances explosives comme des aérosols avec un liquide inflammable dans cet appareil.

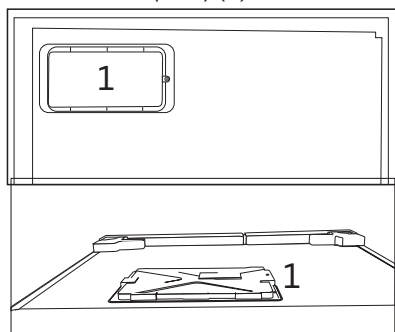
Ce dispositif est conçu pour l'usage domestique ou les applications similaires suivantes :

- Pour être utilisé dans la cuisine de personnel dans les magasins, bureaux et autres environnements de travail ;
- Pour être utilisé par les clients dans les maisons de campagne et hôtels et les autres environnements d'hébergement ;

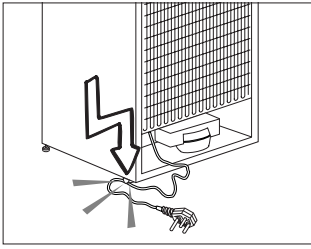
- Cet appareil ne doit pas être utilisé par des personnes atteintes de déficience physique, sensorielle ou mentale, des personnes sans connaissances suffisantes et inexpérimentées ou par des enfants. Il ne doit être utilisé par ces personnes que si elles sont supervisées ou sous les instructions d'une personne responsable de leur sécurité. Ne laissez pas les enfants jouer avec l'appareil.
- En cas de dysfonctionnement, débranchez l'appareil.
- Après avoir débranché l'appareil, patientez 5 minutes avant de le rebrancher. Débranchez l'appareil lorsqu'il n'est pas utilisé. Évitez de toucher le cordon d'alimentation avec des mains humides ! Ne le débranchez jamais en tirant le câble, mais plutôt en tenant la prise.
- Évitez de brancher le réfrigérateur lorsque la prise est instable.
- Débranchez l'appareil pendant l'installation, l'entretien, le nettoyage et la réparation.

Instructions en matière de sécurité et d'environnement

- Si l'appareil ne sera pas utilisé pendant une longue période, débranchez-le et videz l'intérieur.
- N'utilisez pas la vapeur ou de matériel de nettoyage à vapeur pour nettoyer le réfrigérateur et faire fondre la glace. La vapeur peut atteindre les zones électrifiées et causer un court-circuit ou l'électrocution !
- Ne lavez pas l'appareil par pulvérisation ou aspersion d'eau ! Risque d'électrocution !
- Ne jamais utiliser le produit si la section située dans sa partie supérieure ou inférieure avec cartes de circuits imprimés électroniques à l'intérieur est ouverte (couvercle de cartes de circuits imprimés électroniques) (1).
- Évitez de toucher les aliments congelés avec des mains humides ! Ils pourraient coller à vos mains !
- Ne placez pas de boissons en bouteille ou en canette dans le compartiment de congélation. Elles risquent d'exploser !
- Placez les boissons verticalement, dans des récipients convenablement fermés.
- Ne pulvérisez pas de substances contenant des gaz inflammables près du réfrigérateur pour éviter tout risque d'incendie et d'explosion.
- Ne conservez pas de substances et produits inflammables (vaporisateurs, etc.) dans le réfrigérateur.
- Ne placez pas de récipients contenant des liquides au-dessus du réfrigérateur. Les projections d'eau sur des pièces électrifiées peuvent entraîner des électrocutions et un risque d'incendie.
- L'exposition du produit à la pluie, à la neige, au soleil et au vent présente des risques pour la sécurité électrique. Quand vous transportez le réfrigérateur, ne le tenez pas par la poignée de la porte. Elle peut se casser.



- En cas de dysfonctionnement, n'utilisez pas l'appareil car il peut entraîner une électrocution. Contactez le service agréé avant de procéder à toute intervention.
- Branchez votre appareil à une prise de mise à la terre. La mise à la terre doit être effectuée par un technicien qualifié.
- Si l'appareil possède un éclairage de type LED, contactez le service agréé pour tout remplacement ou en cas de problème.
- Évitez que votre main ou toute autre partie de votre corps ne se retrouve coincée dans les parties amovibles de l'appareil.
- Évitez de monter ou de vous appuyer contre la porte, les tiroirs ou toute autre partie du réfrigérateur. Cela peut faire tomber l'appareil et l'endommager.
- Évitez de coincer le câble d'alimentation.



- S'il existe un risque d'effet coup de bélier sur votre installation, utilisez systématiquement un équipement de protection contre l'effet coup de bélier sur celle-ci. Consultez des plombiers professionnels si vous n'êtes pas sûr de la présence de cet effet sur votre installation.
- Ne l'installez pas l'arrivée d'eau chaude. Prenez des précautions contre le risque de congélation des tuyaux. L'intervalle de fonctionnement de la température des eaux doit être de 33 F (0,6°C) au moins et de 100 F (38 C) au plus.
- Utilisez uniquement de l'eau potable.

1.1.1 Avertissement sur l'usage de fluides frigorigènes

Si votre réfrigérateur possède un système de refroidissement utilisant le gaz R600a, évitez d'endommager le système de refroidissement et sa tuyauterie pendant l'utilisation et le transport de l'appareil. Ce gaz est inflammable. Si le système de refroidissement est endommagé, éloignez l'appareil des flammes et aérez la pièce immédiatement.



L'étiquette en dessous du compartiment fraîcheur indique le type de gaz utilisé.

1.1.2 Pour les modèles avec distributeur d'eau reliés à l'eau courante

- La pression de l'eau froide à l'entrée ne doit pas excéder 90 psi (6.2 bar). Si votre pression d'eau dépasse 80 psi (5,5 bar), utilisez une soupape de limitation de pression sur votre réseau de conduite. Si vous ne savez pas comment vérifiez la pression de l'eau, demandez l'assistance d'un plombier professionnel.

1.2. Utilisation prévue

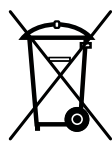
- Cet appareil est exclusivement conçu pour un usage domestique. Il n'est pas destiné à un usage commercial.
- Il doit être exclusivement utilisé pour le stockage des denrées et des boissons.
- Les produits qui nécessitent un contrôle de température précis (vaccins, médicaments sensibles à la chaleur, matériels médicaux, etc.) ne doivent pas être conservés dans le réfrigérateur.
- Le fabricant ne sera pas tenu responsable de tout dommage résultant d'une mauvaise utilisation ou manipulation.
- Les pièces détachées d'origine sont disponibles pendant 10 ans, à compter de la date d'achat du produit.

1.3. Sécurité enfants

- Conservez les matériaux d'emballage hors de la portée des enfants.
- Ne laissez pas les enfants jouer avec l'appareil.
- Si la porte de l'appareil est dotée d'une serrure, gardez la clé hors de la portée des enfants.

1.4. Conformité avec la directive DEEE et mise au rebut de votre ancien appareil

Cet appareil est conforme à la directive DEEE de l'Union européenne (2012/19/UE). Il porte un symbole de classification pour la mise au rebut des équipements électriques et électroniques (DEEE).



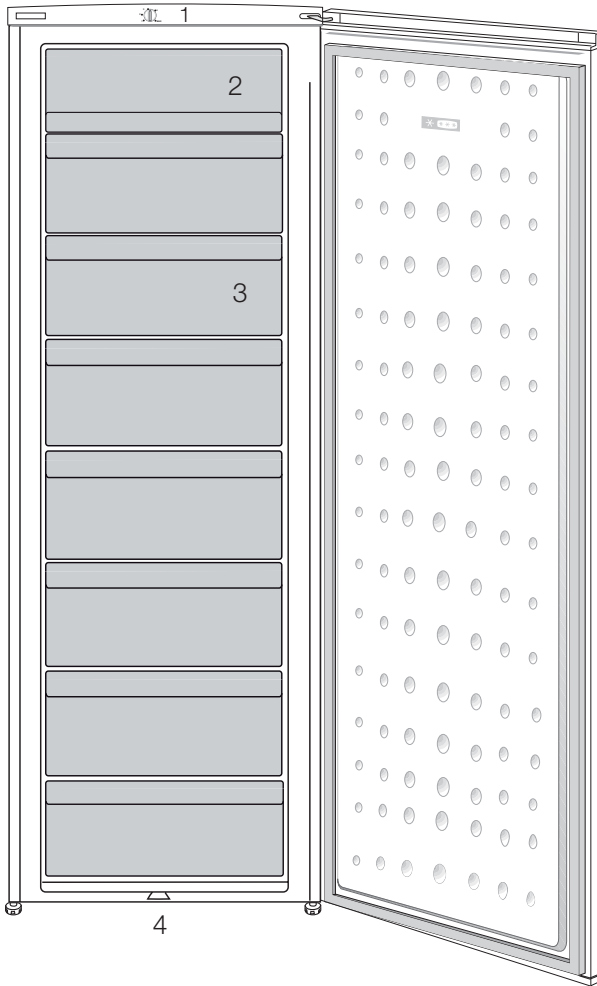
Le présent produit a été fabriqué avec des pièces et du matériel de qualité supérieure susceptibles d'être réutilisés et adaptés au recyclage. Ne le mettez pas au rebut avec les ordures ménagères et d'autres déchets à la fin de sa durée de vie. Rendez-vous dans un point de collecte pour le recyclage de tout matériel électrique et électronique. Rapprochez-vous des autorités de votre localité pour plus d'informations concernant ces points de collecte.

1.5. Conformité avec la directive RoHS

- Cet appareil est conforme à la directive DEEE de l'Union européenne (2011/65/UE). Il ne comporte pas les matériaux dangereux et interdits mentionnés dans la directive.

1.6. Informations relatives à l'emballage

- Les matériaux d'emballage de cet appareil sont fabriqués à partir de matériaux recyclables, conformément à nos réglementations nationales en matière d'environnement. Ne mettez pas les matériaux d'emballage au rebut avec les ordures ménagères et d'autres déchets. Amenez-les plutôt aux points de collecte des matériaux d'emballage, désignés par les autorités locales.



1. Ventilateur
2. Déflecteur (compartiment Congélation Rapide)
3. Tiroirs
4. Pieds avant réglables



Les illustrations présentées dans cette notice d'utilisation sont schématiques et peuvent ne pas correspondre exactement à votre produit. Si des pièces présentées ne sont pas comprises dans le produit que vous avez acheté, elles sont valables pour d'autres modèles.

3 Installation



AVERTISSEMENT:

Dans l'hypothèse ou l'information contenue dans ce manuel n'a pas été prise en compte par l'utilisateur, le fabricant ne sera aucunement responsable en cas de problèmes.

3.1. Éléments à prendre en considération lors du déplacement de votre réfrigérateur

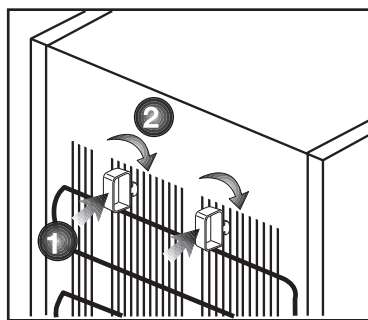
1. Votre réfrigérateur doit être débranché. Avant le transport de votre réfrigérateur, vous devez le vider et le nettoyer. Avant d'emballer votre réfrigérateur, vous devez fixer ses étagères, bac, accessoires, etc, avec du ruban adhésif afin de les protéger contre les chocs.
2. L'emballage doit être solidement attaché avec du ruban adhésif épais ou avec un cordage solide. La réglementation en matière de transport et de marquage de l'emballage doit être strictement respectée.
3. L'emballage et les matériaux de protection d'emballage doivent être conservés pour les éventuels transports ou déplacements à venir.

3.2. Avant de mettre votre réfrigérateur en marche

Vérifiez les points suivants avant de commencer à utiliser votre réfrigérateur

1. Fixez les câles en plastique tel qu'indiqué sur le schéma ci-dessous. Les câles en plastique servent à maintenir une distance permettant la circulation de l'air entre le réfrigérateur et le mur. (Cette image n'est donnée qu'à titre indicatif ; elle n'est pas identique à votre produit.)

2. Vous pouvez installer les 2 cales en plastique comme illustré dans le schéma. Les cales en plastique maintiendront la distance nécessaire entre votre Congélateur et le mur pour permettre une bonne circulation de l'air. (Le schéma présenté est fourni à titre indicatif et peut ne pas correspondre exactement avec votre produit.)



3. Nettoyez l'intérieur du réfrigérateur tel qu'indiqué dans la section « Entretien et nettoyage ».
4. Insérez la prise du réfrigérateur dans la prise murale. Lorsque la porte du réfrigérateur est ouverte, la lampe interne du réfrigérateur s'éclaire.
5. Lorsque le compresseur commence à fonctionner, il émettra un son. Le liquide et les gaz intégrés au système du réfrigérateur peuvent également faire du bruit, que le compresseur soit en marche ou non. Ceci est tout à fait normal.
6. Les parties antérieures du réfrigérateur peuvent chauffer. Ce phénomène est normal. Ces zones doivent en principe être chaudes pour éviter tout risque de condensation.

3.3. Branchement électrique

Branchez votre réfrigérateur à une prise électrique protégée par un fusible ayant une capacité appropriée.

Important :

- Le branchement doit être conforme aux normes en vigueur sur le territoire national.
- La fiche du câble d'alimentation doit être facilement accessible après installation.
- La sécurité électrique du réfrigérateur n'est assurée que si le système de mise à la terre de votre domicile est conforme aux normes en vigueur.
- La tension indiquée sur l'étiquette située sur la paroi gauche interne de votre produit doit correspondre à celle fournie par votre réseau électrique.
- **Les rallonges et prises multivoies ne doivent pas être utilisés pour brancher l'appareil.**



AVERTISSEMENT:

Un câble d'alimentation endommagé doit être remplacé par un électricien qualifié.



AVERTISSEMENT:

L'appareil ne doit pas être mis en service avant d'être réparé ! Cette précaution permet d'éviter tout risque de choc électrique!

3.4. Mise au rebut de l'emballage

Les matériaux d'emballage peuvent être dangereux pour les enfants. Tenez les matériaux d'emballage hors de portée des enfants ou jetez-les conformément aux consignes établies par les autorités locales en matière de déchets. Ne les jetez pas avec les déchets domestiques, déposez-les dans les centres de collecte désignés par les autorités locales.

L'emballage de votre appareil est produit à partir de matériaux recyclables.

3.5. Mise au rebut de votre ancien réfrigérateur

Débarassez-vous de votre ancien réfrigérateur sans nuire à l'environnement.

- Vous pouvez consulter le service après-vente agréé ou le centre chargé de la mise au rebut dans votre municipalité pour en savoir plus sur la mise au rebut de votre produit.

Avant de procéder à la mise au rebut de votre machine, coupez la prise électrique et, le cas échéant, tout verrouillage susceptible de se trouver sur la porte. Rendez-les inopérants afin de ne pas exposer les enfants à d'éventuels dangers.

3.6. Disposition et Installation



AVERTISSEMENT:

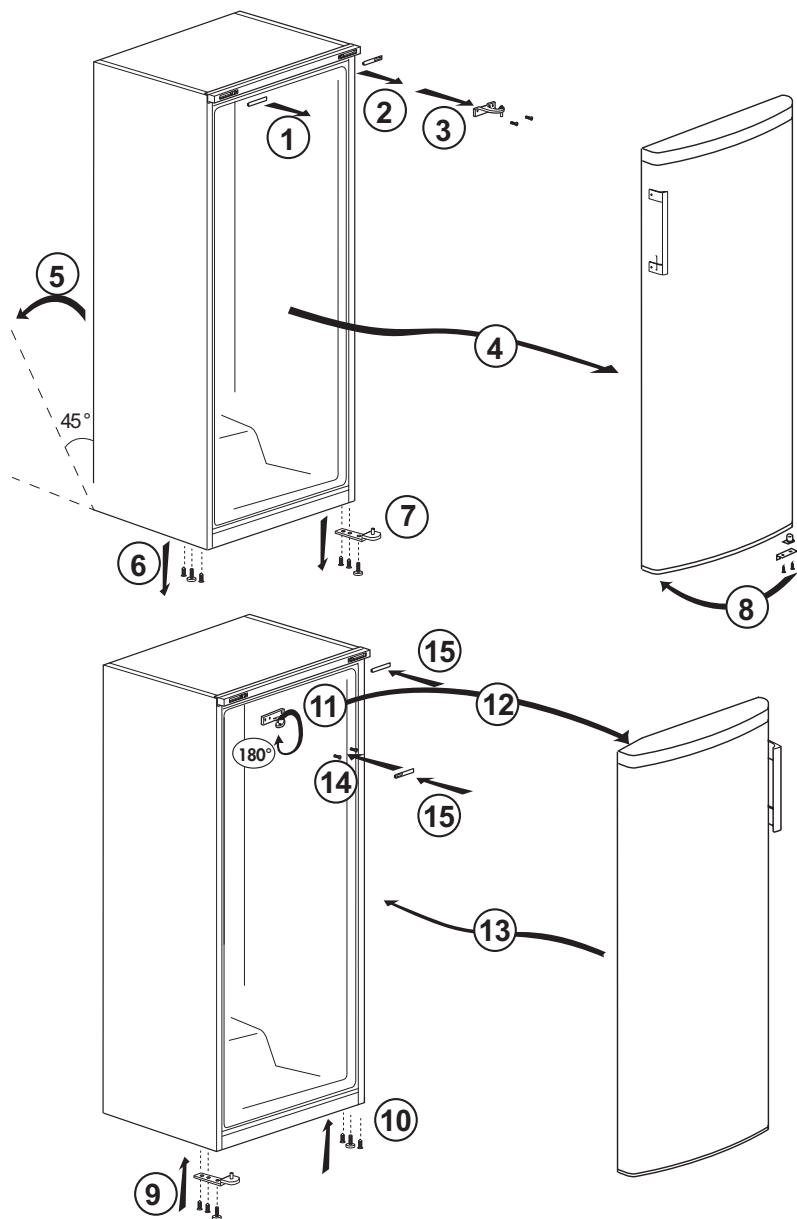
Si la porte d'entrée de la pièce où sera installé le réfrigérateur n'est pas assez large pour laisser passer le réfrigérateur, appelez le service après-vente qui retirera les portes du réfrigérateur et le fera entrer latéralement dans la pièce.

1. Installez le réfrigérateur dans un emplacement qui permette une utilisation pratique.
2. Maintenez le réfrigérateur éloigné de toutes sources de chaleur, des endroits humides et de la lumière directe du soleil.
3. Une ventilation d'air autour du réfrigérateur doit être aménagée pour obtenir un fonctionnement efficace. Si le réfrigérateur est placé dans un enfoncement du mur, il doit y avoir un espace d'au moins 5 cm avec le plafond et d'au moins 5 cm avec le mur. Ne placez pas l'appareil sur des revêtements tels qu'un tapis ou de la moquette.
4. Placez le réfrigérateur sur une surface plane afin d'éviter les à-coups.
5. Votre produit nécessite une circulation d'air adéquate pour pouvoir fonctionner efficacement. S'il est placé dans une alcôve, n'oubliez pas de laisser un espace d'au moins 5 cm entre l'appareil, le plafond, la paroi arrière et les parois latérales.
6. S'il est placé dans une alcôve, n'oubliez pas de laisser un espace d'au moins 5 cm entre l'appareil, le plafond, la paroi arrière et les parois latérales. Vérifiez que l'élément de protection d'espace de la façade arrière est présent à son emplacement (au cas où il est fourni avec l'appareil). Si l'élément n'est pas disponible, perdu ou tombé, positionnez l'appareil de manière à laisser un espace d'au moins 5 cm entre la surface arrière de l'appareil et les murs de la pièce. L'espace prévu à l'arrière est important pour le fonctionnement efficace de l'appareil.

Installation

3.7. Réversibilité des portes

Procédez dans l'ordre numérique



4 Préparation

- Pour un appareil amovible, cet appareil de réfrigération n'est pas conçu pour être utilisé comme un appareil à encastrer.
- Votre réfrigérateur doit être installé à au moins 30 cm des sources de chaleur telles que les plaques de cuisson, les fours, appareils de chauffage ou cuisinières, et à au moins 5 cm des fours électriques. De même, il ne doit pas être exposé à la lumière directe du soleil.
- Veuillez vous assurer que l'intérieur de votre appareil est soigneusement nettoyé.
- Si deux réfrigérateurs sont installés côte à côte, ils doivent être séparés par au moins 2 cm de distance.
- Lorsque vous faites fonctionner le réfrigérateur pour la première fois, assurez-vous de suivre les instructions suivantes pendant les six premières heures.
- La porte ne doit pas être ouverte fréquemment.
- Le réfrigérateur doit fonctionner à vide, sans denrées à l'intérieur.
- Ne débranchez pas le réfrigérateur. Si une panne de courant se produit, veuillez vous reporter aux avertissements de la section « Solutions recommandées aux problèmes ».
- Ce produit a été conçu pour fonctionner à une température ambiante pouvant atteindre 43 °C (90 SDgrF). Même si la température ambiante descend à -15° C, les denrées congelées du congélateur ne se décongèlent pas, grâce à son.
- Les paniers/tiroirs fournis avec le compartiment rafraîchissement doivent être utilisés de manière continue pour une consommation énergétique minimale et de meilleures conditions de conservation.
- Le contact entre le capteur de température et les denrées alimentaires à l'intérieur du compartiment de congélation peut augmenter la consommation énergétique de l'appareil. Pour cette raison, les contacts avec les capteurs doivent être évités.
- Système électronique très élaboré de contrôle de la température. Lors de sa première installation, le produit NE DOIT PAS être exposé à des températures ambiantes trop basses. La raison est que le congélateur ne peut pas fonctionner à une température inférieure à la température de fonctionnement standard. Une fois l'appareil en fonctionnement continu, il peut être déplacé. Par conséquent, vous pouvez placer l'appareil dans votre garage ou toute autre pièce non chauffée sans crainte que les aliments surgelés ne se détériorent. Cependant, il est possible que les basses températures susmentionnées puissent geler les aliments dans le compartiment réfrigérateur. Veuillez donc consommer les denrées alimentaires placées au réfrigérateur en prenant soin de contrôler leur état. Lorsque la température ambiante revient à la normale, vous pouvez modifier le réglage du bouton selon vos préférences.

Préparation

- Si la température ambiante est inférieure à 0°C, les aliments du compartiment réfrigérant gèleront. Nous vous conseillons donc de ne pas utiliser le compartiment réfrigérant si la température ambiante est trop basse. Vous pouvez continuer à utiliser le compartiment congélateur comme d'habitude.
- Dans certains modèles, le tableau de bord s'éteint automatiquement 5 minutes après la fermeture de la portière. Il est réactivé à l'ouverture de la portière ou lorsqu'on appuie sur n'importe quelle touche.
- En raison des variations de température dues à l'ouverture ou à la fermeture de la porte de l'appareil en fonctionnement, il est normal que la condensation se forme sur la porte, les étagères ou les récipients en verre.
- Comme l'air chaud et humide ne pénètre pas directement dans votre produit lorsque les portes ne sont pas ouvertes, votre produit optimisera son fonctionnement en fonction des conditions pour protéger vos aliments. Les fonctions et les composants tels que le compresseur, le ventilateur, le chauffage, le dégivrage, l'éclairage, l'affichage, etc. fonctionneront en fonction des besoins pour consommer un minimum d'énergie dans de telles circonstances.

5 Utilisation du congélateur / réfrigérateur

Réglage de la température de fonctionnement



La température de fonctionnement est réglée à l'aide de la commande de température.

1 = Réglage de réfrigération le plus faible (Réglage le plus chaud)

4 = Réglage de réfrigération le plus fort (Réglage le plus froid)

Veuillez choisir le réglage en fonction de la température désirée.

La température intérieure est également fonction de la température ambiante, la fréquence d'ouverture de la porte et la quantité de denrées stockées à l'intérieur.

Si la porte est ouverte fréquemment, la température intérieure monte.

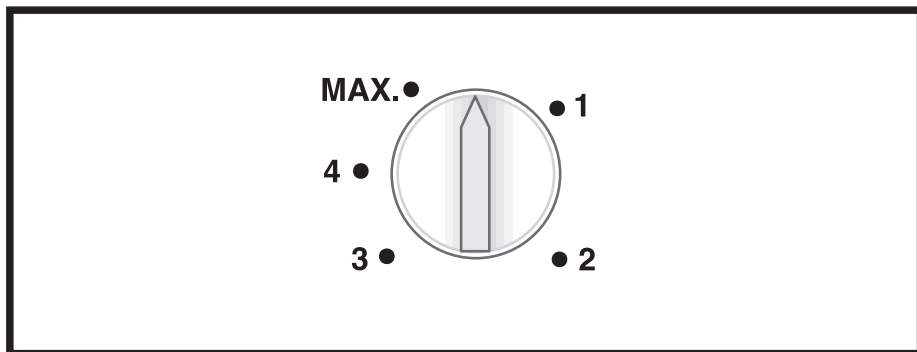
Pour cette raison, il est recommandé de refermer la porte aussitôt que possible après utilisation.

La température normale de stockage de votre appareil doit être de -18 °C (0 °F). Lorsque l'on tourne le bouton de commande du thermostat dans le sens inverse des aiguilles d'une montre à partir de la position 1, l'appareil s'éteint avec un déclic. Vous pouvez obtenir des températures plus basses en ajustant la commande du thermostat dans la direction de la Position 4.

Nous vous conseillons de vérifier la température avec un thermomètre pour s'assurer que les compartiments de conservation sont maintenus à la température souhaitée. Pensez à lire la température sur le thermomètre immédiatement comme elle montera très rapidement après l'avoir sorti du congélateur.



Les illustrations présentées dans cette notice d'utilisation sont schématisées et peuvent ne pas correspondre exactement à votre produit. Si des pièces présentées ne sont pas comprises dans le produit que vous avez acheté, elles sont valables pour d'autres modèles.



Congélation

Congeler les denrées

La zone de congélation est indiquée par le symbole sur la contre-porte.

Vous pouvez utiliser cet appareil pour congeler des denrées fraîches ainsi que pour stocker des denrées surgelées.

Veuillez vous référer aux recommandations indiquées sur l'emballage de votre aliment.

• Attention

Ne pas congeler de boissons gazeuses car le liquide congelé peut faire éclater la bouteille.

Soyez prudents avec les produits congelés tels que les glaçons colorés.

Ne dépassez pas le pouvoir de congélation de votre appareil par 24 heures. Se référer à la plaque signalétique.

Afin de préserver la qualité des aliments, la congélation doit être effectuée le plus rapidement possible.

Ainsi, le pouvoir de congélation ne sera pas dépassé et la température à l'intérieur du congélateur ne montera pas.

• Attention

Conservez toujours les aliments déjà surgelés séparément des denrées qui viennent d'y être placées.

Lorsque vous surgelez un aliment chaud, le compresseur de réfrigération fonctionnera tant que l'aliment n'est pas complètement congelé. Cela peut causer un refroidissement excessif temporaire du compartiment congélateur / réfrigérateur.

Si vous trouvez que la porte du congélateur est difficile à ouvrir juste après l'avoir fermée, ne vous inquiétez pas. Cela est dû à la différence de pression qui va se régulariser et permettra d'ouvrir la porte normalement au bout de quelques minutes.

Vous entendrez un bruit d'aspiration juste après avoir fermé la porte. Ceci est tout à fait normal.

Utilisation du réfrigérateur

Fabrication de glaçons

Remplissez les bacs à glaçons d'eau jusqu'aux $\frac{3}{4}$ et introduisez les dans le congélateur.

Dès que l'eau est devenue glace, vous pouvez sortir les glaçons.

N'utilisez jamais d'objets tranchants tels que couteaux ou fourchettes pour démouler les glaçons. Il y a un risque de blessure !

Laisser plutôt les glaçons dégeler légèrement ou bien mettez le fond du bac dans l'eau chaude pendant un petit moment.

Congélation rapide

Si vous vous apprêtez à congeler de grandes quantités de produits frais, appuyez sur le bouton congélation rapide 24 heures avant d'introduire les produits frais dans le compartiment de congélation rapide.

Nous vous recommandons fortement de laisser la touche de congélation rapide enclenchée pendant au moins 24 heures pour congeler le volume maximal de produits frais correspondant au pouvoir de congélation stipulé. Prenez particulièrement soin de ne pas mélanger les produits congelés et les produits frais.

- Vous pouvez congeler la quantité d'aliments frais indiquée sur la plaque signalétique de votre congélateur en suivant les étapes ci-après :

1. Activez la « fonction de congélation rapide » au moins 24 heures avant d'introduire les aliments frais.
2. Mettez 2 pièces d'accumulateurs de glace (si disponible) à l'intérieur du tiroir inférieur.
3. Posez les produits frais sur les étagères du deuxième et du troisième niveau à partir du bas. (Pour obtenir une capacité maximale, retirez les tiroirs.)

Dégivrage de l'appareil

L'appareil dégivre automatiquement.

Utilisation du réfrigérateur

Utilisation Aliments frais

- Les aliments à congeler doivent être divisés en portions en fonction de la taille à consommer, et congelés dans des emballages séparés. De cette façon, il convient d'éviter une recongélation de tous les aliments après décongélation.
- Afin de préserver au maximum la valeur nutritionnelle, l'arôme et la couleur des aliments, les légumes doivent être bouillis pendant une courte durée avant d'être congelés. (L'ébullition n'est pas nécessaire pour les aliments tels que le concombre, le persil). Le temps de cuisson des légumes ainsi congelés est réduit d'un tiers par rapport à celui des légumes frais.
- Pour prolonger la durée de conservation des aliments surgelés, les légumes bouillis doivent d'abord être filtrés, puis emballés hermétiquement comme tous les autres types d'aliments.
- Les aliments ne doivent pas être placés dans le compartiment congélateur sans emballage.
- Le matériau d'emballage des aliments à stocker doit être étanche à l'air, épais et durable et ne doit pas être sensible au froid et à l'humidité. Dans le cas contraire, les aliments durcis par la congélation risquent de percer l'emballage. Il est également important de fermer correctement l'emballage afin de conserver les aliments en toute sécurité.

Les types d'emballages suivants peuvent être utilisés pour congeler les aliments :

Sac en polyéthylène, papier d'aluminium, film plastique, sacs sous vide et récipients de stockage résistants au froid avec bouchons.

L'utilisation des types d'emballage suivants n'est pas recommandée pour la congélation des aliments ;

Papier d'emballage, papier parchemin, cellophane (papier gélatineux), sac poubelle, sacs usagés et sacs à provisions.

- Les aliments chauds ne doivent pas être placés dans le compartiment congélateur sans être refroidis.
- Lorsque vous placez des aliments frais non congelés dans le compartiment congélateur, veillez à ce qu'ils n'entrent pas en contact avec les aliments congelés. Les éléments de refroidissement (PCM) peuvent être placés sur l'étagère située juste en dessous de l'étagère de congélation rapide pour éviter qu'ils ne se réchauffent.
- Ne placez pas d'autres aliments dans le congélateur pendant le temps de congélation (24 heures).
- Placez vos aliments sur les étagères ou les supports de congélation en les répartissant de manière à ce qu'ils ne soient pas à l'étroit (il est recommandé que les emballages ne soient pas en contact les uns avec les autres).
- Les aliments congelés doivent être consommés immédiatement après leur décongélation et ne doivent jamais être recongelés.
- Ne bloquez pas les orifices de ventilation sur la surface arrière avec vos aliments congelés.

Utilisation du réfrigérateur

- Nous vous recommandons d'apposer une étiquette sur l'emballage et d'y inscrire le nom des aliments contenus et le temps de congélation.

Aliments adaptés à la congélation :

Poissons et fruits de mer, viandes rouges et blanches, volailles, légumes, fruits, épices herbacées, produits laitiers (tels que fromage, beurre et yaourt égoutté), pâtisseries, plats cuisinés, plats de pommes de terre, soufflés et desserts.

Aliments non adaptés à la congélation :

Yaourt, lait caillé, crème, mayonnaise, salade frisée, radis rouge, raisins, tous les fruits (comme la pomme, les poires et les pêches).

- Pour que les aliments soient congelés rapidement et efficacement, il ne convient de respecter les quantités maximales suivantes spécifiées par emballage.

-Fruits et légumes, 0,5 à 1 kg

-Viande, 1 à 1,5 kg

- Une petite quantité d'aliments (2 kg maximum) peut également être congelée sans utilisation de la fonction de congélation rapide.

Pour obtenir le meilleur résultat, respectez les instructions suivantes :

1. Activez la fonction de congélation rapide 24 heures avant de placer vos aliments frais dans le congélateur.

2. 24 heures après avoir activé la fonction, placez d'abord les aliments que vous souhaitez congeler sur le troisième tiroir du bas à forte capacité de congélation. Si vous avez un reste d'aliments, placez-le devant le deuxième tiroir du bas.

3. La fonction de congélation rapide se désactive automatiquement au bout de 50 heures.

4. Ne congelez pas une quantité trop importante d'aliments à la fois.

Dans un délai de 24 heures, cet appareil peut congeler la quantité maximale d'aliments spécifiée comme « Capacité de congélation ... kg/24 heures » sur son étiquette type. Il n'est pas pratique de mettre plus d'aliments décongelés/frais que la quantité indiquée sur l'étiquette dans le compartiment congélateur.

- Vous pouvez consulter les tableaux Viande et poisson, Légumes et fruits, Produits laitiers pour placer et conserver vos aliments dans le congélateur.

Recommandations pour la conservation des aliments congelés

- Lorsque vous achetez vos aliments congelés, assurez-vous qu'ils sont congelés à des températures appropriées et que leurs emballages ne sont pas déchirés.
- Placez le plus tôt possible les paquets dans le compartiment congélateur après leur achat.
- Assurez-vous que la date de péremption indiquée sur l'emballage n'est pas dépassée avant de consommer les plats préparés emballés et prêts à la consommation que vous retirez du compartiment congélateur.

Dégivrage

La glace dans les compartiments de congélation est automatiquement décongelée.

Congélateur Informations

La norme EN 62552 exige (selon des conditions de mesure spécifiques) qu'au moins 4,5 kg d'aliments puissent être congelés à une température ambiante de 25° C en 24 heures pour un volume de compartiment congélateur de 100 litres.

Utilisation du réfrigérateur

Décongélation des aliments congelés

En fonction de la diversité des aliments et de la finalité, vous pouvez choisir entre les options de décongélation suivantes :

- À température ambiante (pour maintenir la qualité de l'aliment, il n'est pas très approprié de le décongeler en le laissant à température ambiante pendant une longue période)
- Dans le réfrigérateur
- Dans le four électrique (dans les modèles avec ou sans ventilateur)
- Dans le four à micro-ondes

ATTENTION :

- Ne mettez jamais de boissons acides en bouteilles ou canettes en verre dans votre congélateur en raison du risque d'explosion.

- Si vous remarquez de l'humidité et un gonflement anormal de l'emballage des aliments congelés, cela signifie qu'ils ont probablement été stockés dans des conditions inappropriées et que leur contenu s'est détérioré. Ne consommez pas ces aliments sans vérification.
- Comme certaines épices dans les plats cuisinés peuvent changer de goût en cas de stockage à long terme, vos aliments à congeler doivent être moins assaisonnés ou les épices souhaitées doivent être ajoutées aux aliments après le processus de décongélation.

Réglages de température recommandés

Freezer compartment setting	Remarks
-20 °C	Ce réglage de température est recommandé par défaut.
-21,-22,-23 ou -24 °C	Ces réglages sont recommandés lorsque la température ambiante est supérieure à 30° C ou lorsque vous pensez que le réfrigérateur n'est pas assez frais en raison de l'ouverture et de la fermeture fréquentes de la porte.
Congélation rapide	Est utilisée lorsque vous voulez congeler vos aliments pendant une courte période. Il est recommandé de l'utiliser pour préserver la qualité de vos aliments frais. Vous n'avez pas besoin d'utiliser la fonction de congélation rapide pour mettre vos aliments à congeler. Vous n'avez pas besoin d'utiliser la fonction de congélation rapide pour congeler une petite quantité d'aliments frais, jusqu'à 2 kg par jour.

Utilisation du réfrigérateur

Viande et poisson		Préparation		Temps de stockage le plus long (mois)
M e a t products	Veau	Steak	En les coupant à 2 cm d'épaisseur et en les séparant par une feuille d'aluminium ou en les enveloppant hermétiquement avec du papier étirable.	6 - 8
		Rôti	En emballant les morceaux de viande dans un sac réfrigérant ou en les enveloppant hermétiquement avec du papier étirable.	6 - 8
		Cubes	En petites portions	6 - 8
		escalopes, côtelettes	En séparant les tranches coupées par une feuille d'aluminium ou en les enveloppant individuellement avec papier étirable.	6 - 8
	Mouton	Côtelettes	En séparant les morceaux de viande par une feuille d'aluminium ou en les enveloppant individuellement avec papier étirable.	4 - 8
		Rôti	En emballant les morceaux de viande dans un sac réfrigérant ou en les enveloppant hermétiquement avec du papier étirable.	4 - 8
		Cubes	En emballant la viande hachée dans un sac réfrigérant ou en les enveloppant hermétiquement avec du papier étirable.	4 - 8
	Patte	Rôti	En emballant les morceaux de viande dans un sac réfrigérant ou en les enveloppant hermétiquement avec du papier étirable.	8 - 12
		Steak	En les coupant à 2 cm d'épaisseur et en les séparant par une feuille d'aluminium ou en les enveloppant hermétiquement avec du papier étirable.	8 - 12
		Cubes	En petites portions	8 - 12
		V i a n d e bouillie	En l'emballant en petites portions dans un sac réfrigérant	8 - 12
	Hacher		Sans assaisonnement, dans des sachets plats	1 - 3
	Abats (pièce)		En pièces	1 - 3
	Saucisse fermentée - Salami		Elle doit être emballée, même si elle est dans une boîte.	1 - 2
Jambon		En plaçant une feuille d'aluminium entre les tranches coupées	2 - 3	
Volaille et animaux de chasse	Poulet et dinde		En l'enveloppant dans une feuille d'aluminium	4 - 6
	Oie		En les emballant dans une feuille d'aluminium (les portions ne doivent pas dépasser 2,5 kg)	4 - 6
	Canard		En les emballant dans une feuille d'aluminium (les portions ne doivent pas dépasser 2,5 kg)	4 - 6
	Cerf, Lapin, Chevreuil		En les emballant dans une feuille d'aluminium (les portions ne doivent pas dépasser 2,5 kg et les os doivent être séparés)	6 - 8
Poissons et fruits de mer	Poissons d'eau douce (truite, carpe, grue, poisson-chat)			2
	Poisson maigre (Bar, Turbot, Sole)		Après avoir soigneusement nettoyé l'intérieur et les écailles, il faut le laver, le sécher et couper la queue et la tête si nécessaire.	4-6
	Poissons gras (Bonito, Maquereau, Poisson bleu, Rouget, Anchois)			2 - 4
	Mollusques		Nettoyés et dans des sachets	4 - 6
	Caviar		Dans son emballage, dans un récipient en aluminium ou en plastique	2 - 3

Utilisation du réfrigérateur

Fruits et légumes	Préparation	Temps de stockage le plus long (mois)
Haricots verts et haricots grimpants	Par ébullition-choc pendant 3 minutes après avoir été lavés et coupés en petits morceaux.	10 - 13
Petit pois	Par ébullition-choc pendant 2 minutes après décorticage et lavage.	10 - 12
Choux	Par ébullition-choc pendant 1 à 2 minute(s) après le nettoyage	6 - 8
Carotte	Par ébullition-choc pendant 3 à 4 minutes après avoir été nettoyés et coupés en tranches.	12
Poivre	En faisant bouillir pendant 2 à 3 minutes après avoir coupé la tige, en la divisant en deux et en séparant les graines.	8 - 10
Épinards	Par ébullition-choc pendant 2 minutes après lavage et nettoyage	6 - 9
Poireaux	Par ébullition-choc pendant 5 minutes après hachage	6 - 8
Chou-fleur	En les faisant bouillir dans une petite quantité d'eau citronnée pendant 3 à 5 minutes après avoir séparé les feuilles et coupé le cœur en morceaux	10 - 12
Aubergines	Par ébullition-choc pendant 4 minutes après avoir été lavés et coupés en morceaux de 2 cm.	10 - 12
Courges	Par ébullition-choc pendant 2 - 3 minutes après avoir été lavés et coupés en morceaux de 2 cm.	8 - 10
Champignons	En les faisant légèrement sauter dans l'huile et pressant du citron dessus.	2 - 3
Mais	Par nettoyage et conditionnement en épi ou en granulés	12
Pomme et poire	Par ébullition-choc pendant 2 à 3 minutes après les avoir épluchées et coupées en tranches.	8 - 10
Abricot et pêche	Divisez de moitié et retirez les grains	4 - 6
Fraise et framboise	Par lavage et décorticage	8 - 12
Fruits cuits	En ajoutant 10 % de sucre dans le récipient	12
Prune, cerise, griotte	En lavant et en égrenant les tiges	8 - 12

Produits laitiers	Préparation	Temps de stockage le plus long (Mois)	Conditions de stockage
Fromage (sauf feta)	En plaçant une feuille d'aluminium entre les tranches coupées	6 / 8	Il est possible de le laisser dans son emballage d'origine pour un stockage à court terme. Pour un stockage à long terme, il doit également être enveloppé dans une feuille d'aluminium ou en plastique.
Beurre, margarine	Dans son propre emballage	6	Dans son propre emballage ou dans des récipients en plastique

Le nettoyage régulier du produit prolonge sa durée de vie.



AVERTISSEMENT:

Débranchez l'alimentation avant de nettoyer le réfrigérateur.

- N'utilisez jamais d'outils pointus et abrasifs, de savon, de produits nettoyage domestiques, d'essence, de carburant, du cirage ou des substances similaires pour le nettoyage du produit.
- Faites dissoudre une cuillerée à café de carbonate dans de l'eau. Trempez un morceau de tissu dans cette eau et essorez-le. Nettoyez soigneusement l'appareil avec ce chiffon et ensuite avec un chiffon sec.
- Veillez à ne pas mouiller le logement de la lampe ainsi que d'autres composants électriques.
- Nettoyez la porte à l'aide d'un torchon humide. Retirez tous les aliments de l'intérieur afin de démonter la porte et les étagères du châssis. Relevez les étagères de la porte pour les démonter. Nettoyez et séchez les étagères, puis refixez-les en les faisant glisser à partir du haut.
- N'utilisez pas d'eau contenant du chlore, ou des produits de nettoyage pour les surfaces externes et les pièces chromées de l'appareil. Le chlore entraîne la corrosion de ce type de surfaces métalliques.

- Évitez d'utiliser des objets tranchants ou abrasifs, du savon, des produits ménagers de nettoyage, des détergents, de l'essence, du benzène, de la cire, ect. ; autrement, les marques sur les pièces en plastique pourraient s'effacer et les pièces elles-mêmes pourraient présenter des déformations. Utilisez de l'eau tiède et un torchon doux pour nettoyer et sécher.

6.1. Prévention des mauvaises odeurs

À sa sortie d'usine, cet appareil ne contient aucun matériau odorant. Cependant; la conservation des aliments dans des sections inappropriées et le mauvais nettoyage de l'intérieur peuvent donner lieu aux mauvaises odeurs.

Pour éviter cela, nettoyez l'intérieur à l'aide de carbonate dissout dans l'eau tous les 15 jours.

- Conservez les aliments dans des récipients fermés. Des micro-organismes peuvent proliférer des récipients non fermés et émettre de mauvaises odeurs.
- Ne conservez pas d'aliments périmés ou avariés dans le réfrigérateur.

6.2. Protection des surfaces en plastique

Si de l'huile se répand sur les surfaces en plastique, il faut immédiatement les nettoyer avec de l'eau tiède, sinon elles seront endommagées.

Parcourez la liste ci-après avant de contacter le service de maintenance. Cela devrait vous éviter de perdre du temps et de l'argent. Cette liste répertorie les plaintes fréquentes ne provenant pas de vices de fabrication ou des défauts de pièces. Certaines fonctionnalités mentionnées dans ce manuel peuvent ne pas exister sur votre modèle.

Le réfrigérateur ne fonctionne pas.

- La fiche d'alimentation n'est pas bien fixée. >>> Branchez-la en l'enfonçant complètement dans la prise.
- Le fusible branché à la prise qui alimente l'appareil ou le fusible principal est grillé. >>> Vérifiez le fusible.

Condensation sur la paroi latérale du congélateur (MULTI ZONE, COOL, CONTROL et FLEXI ZONE).

- La porte est ouverte trop fréquemment >>> Évitez d'ouvrir trop fréquemment la porte de l'appareil.
- L'environnement est trop humide. >>> N'installez pas l'appareil dans des endroits humides.
- Les aliments contenant des liquides sont conservés dans des récipients non fermés. Conservez ces aliments dans des emballages scellés.
- La porte de l'appareil est restée ouverte. >>> Ne laissez pas la porte du réfrigérateur ouverte longtemps.
- Le thermostat est réglé à une température trop basse. >>> Réglez le thermostat à la température appropriée.

Le compresseur ne fonctionne pas.

- En cas de coupure soudaine de courant ou de débranchement intempestif, la pression du gaz dans le système de réfrigération de l'appareil n'est pas équilibrée, ce qui déclenche la fonction de conservation thermique du compresseur. L'appareil se remet en marche au bout de 6 minutes environ. Dans le cas contraire, veuillez contacter le service de maintenance.
- L'appareil est en mode dégivrage. >>> Ce processus est normal pour un appareil à dégivrage complètement automatique. Le dégivrage se déclenche périodiquement.
- L'appareil n'est pas branché. >>> Vérifiez que le cordon d'alimentation est connecté à la prise.
- Le réglage de température est inapproprié. >>> Sélectionnez le réglage de température approprié.
- Cas de coupure de courant. >>> L'appareil continue de fonctionner normalement dès le retour du courant.

Dépannage

Le bruit du réfrigérateur en fonctionnement s'accroît pendant son utilisation.

- Le rendement de l'appareil en fonctionnement peut varier en fonction des fluctuations de la température ambiante. Ceci est normal et ne constitue pas un dysfonctionnement.

Le réfrigérateur fonctionne fréquemment ou pendant de longues périodes.

- Il se peut que le nouvel appareil soit plus grand que l'ancien. Les appareils plus grands fonctionnent plus longtemps.
- La température de la pièce est probablement élevée. Il est normal que l'appareil fonctionne plus longtemps lorsque la température de la pièce est élevée.
- L'appareil vient peut-être d'être branché ou chargé de nouveaux aliments. > > > L'appareil met plus longtemps à atteindre la température réglée s'il vient d'être branché ou récemment rempli d'aliments. Ce phénomène est normal.
- Il est possible que des quantités importantes d'aliments chauds aient été récemment placées dans l'appareil. > > > Ne placez pas d'aliments chauds dans votre appareil.
- Les portes étaient ouvertes fréquemment ou sont restées longtemps ouvertes. > > > L'air chaud circulant à l'intérieur de l'appareil le fera fonctionner plus longtemps. N'ouvrez pas les portes trop régulièrement.
- Le congélateur ou le réfrigérateur est peut-être resté entrouvert. > > > Vérifiez que les portes sont bien fermées.
- L'appareil peut être réglé à une température trop basse. > > > Réglez la température à un degré supérieur et patientez que l'appareil atteigne la nouvelle température.
- Le joint de la porte du réfrigérateur ou du congélateur peut être sale, usé, brisé ou mal positionné. > > > Nettoyez ou remplacez le joint. Si le joint de la porte est endommagé ou arraché, l'appareil mettra plus de temps à conserver la température actuelle.

La température du réfrigérateur est très basse, alors que celle du congélateur est appropriée.

- La température du compartiment congélateur est réglée à un degré très bas. > > > Réglez la température du compartiment congélateur à un degré supérieur et procédez de nouveau à la vérification.

La température du réfrigérateur est très basse, alors que celle du congélateur est appropriée.

- La température du compartiment réfrigérateur est réglée à un degré très bas. > > > Réglez la température du compartiment congélateur à un degré supérieur et procédez de nouveau à la vérification.

Les aliments conservés dans le compartiment réfrigérateur sont congelés.

- La température du compartiment réfrigérateur est réglée à un degré très bas. > > > Réglez la température du compartiment congélateur à un degré supérieur et procédez de nouveau à la vérification.

Dépannage

La température du compartiment réfrigérateur ou congélateur est très élevée.

- La température du compartiment réfrigérateur est réglée à un degré très élevé.
>>> Le réglage de la température du compartiment réfrigérateur a un effet sur la température du compartiment congélateur. Patientez que la température des parties concernées atteigne le niveau suffisant en changeant la température des compartiments réfrigérateur et congélateur.
- Les portes étaient ouvertes fréquemment ou sont restées longtemps ouvertes.
>>> N'ouvrez pas les portes trop régulièrement.
- La porte est peut-être restée ouverte. >>> Fermez hermétiquement la porte du réfrigérateur.
- L'appareil vient peut-être d'être branché ou chargé de nouveaux aliments.
>>> Ce phénomène est normal. L'appareil met plus longtemps à atteindre la température réglée s'il vient d'être branché ou récemment rempli d'aliments.
- Il est possible que des quantités importantes d'aliments chauds aient été récemment placées dans l'appareil. >>> Ne placez pas d'aliments chauds dans votre appareil.

En cas de vibrations ou de bruits.

- Le sol n'est pas plat ou solide. >>> Si l'appareil balance lorsqu'il est déplacé doucement, ajustez les supports afin de le remettre en équilibre. Vérifiez également que le sol est assez solide pour supporter le poids de l'appareil.
- Les éléments placés sur le réfrigérateur pourraient faire du bruit. >>> Veuillez les retirer.

L'appareil émet un bruit d'écoulement de liquide ou de pulvérisation, etc.

- Le fonctionnement de l'appareil implique des écoulements de liquides et des émissions de gaz. >>> Ce phénomène est normal et ne constitue pas un dysfonctionnement.

L'appareil émet un sifflement.

- L'appareil effectue le refroidissement à l'aide d'un ventilateur. Ceci est normal et ne constitue pas un dysfonctionnement.

Les parois internes de l'appareil présentent une condensation.

- Un climat chaud ou humide accélère le processus de givrage et de condensation. Ceci est normal et ne constitue pas un dysfonctionnement.
- Les portes étaient ouvertes fréquemment ou sont restées longtemps ouvertes.
>>> N'ouvrez pas les portes trop fréquemment ; fermez-les lorsqu'elles sont ouvertes.
- La porte est peut-être restée ouverte. >>> Fermez hermétiquement la porte du réfrigérateur.

Dépannage

Il y a de la condensation sur les parois externes ou entre les portes de l'appareil.

- Il se peut que le climat ambiant soit humide, auquel cas cela est normal. >>> La condensation se dissipe lorsque l'humidité baisse.

Présence d'une odeur désagréable dans l'appareil.

- • L'appareil n'est pas nettoyé régulièrement. >>> Nettoyez régulièrement l'intérieur du réfrigérateur en utilisant une éponge, de l'eau chaude et de l'eau gazeuse.
- • Certains récipients et matériaux d'emballage sont peut-être à l'origine de mauvaises odeurs. >>> Utilisez des récipients et des emballages exempts de toute odeur.
- • Les aliments ont été placés dans des récipients non fermés. >>> Conservez les aliments dans des récipients fermés. Les micro-organismes pourraient se propager sur les produits alimentaires non fermés et émettre de mauvaises odeurs. Retirez tous les aliments périmés ou avariés de l'appareil.

La porte ne se ferme pas.

- Des emballages d'aliments peuvent bloquer la porte. >>> Déplacez tout ce qui bloque les portes.
- L'appareil ne se tient pas parfaitement droit sur le sol. >>> Ajustez les pieds afin de remettre l'appareil en équilibre.
- Le sol n'est pas plat ou solide. >>> Assurez-vous que le sol est plat et assez solide pour supporter le poids de l'appareil.

Le bac à légumes est engorgé.

- Il est possible que les aliments soient en contact avec la section supérieure du tiroir. >>> Reclassez les aliments dans le tiroir.



AVERTISSEMENT : Si le problème persiste même après observation des instructions contenues dans cette partie, contactez votre fournisseur ou un service de maintenance agréé. N'essayez pas de réparer l'appareil de vous-même.

CLAUDE DE NON-RESPONSABILITÉ / AVERTISSEMENT

Il est possible de remédier à certaines défaillances (simples) de manière adéquate par l'utilisateur final sans qu'il y ait de problème de sécurité ou d'utilisation dangereuse, à condition qu'elles soient effectuées dans les limites et conformément aux instructions suivantes (voir la section « Auto-réparation »).

Dès lors, sauf autorisation contraire dans la section « Auto-réparation » ci-dessous, les réparations doivent être adressées à des réparateurs professionnels agréés afin d'éviter les problèmes de sécurité. Un réparateur professionnel agréé est un réparateur professionnel à qui le fabricant a donné accès aux instructions et à la liste des pièces détachées de ce produit selon les méthodes décrites dans les actes législatifs en application de la directive 2009/125/CE.

Par contre, tel que mentionné dans le manuel d'utilisation/carte de garantie, seul l'agent de service (c'est-à-dire les réparateurs professionnels agréés) que vous pouvez joindre au numéro de téléphone indiqué dans le manuel d'utilisation/carte de garantie ou par l'intermédiaire de votre revendeur agréé peut fournir un service dans le cadre des conditions de garantie. Par conséquent, veuillez noter que les réparations effectuées Beko par des réparateurs professionnels (qui ne sont pas autorisés par) annuleront la garantie.

Auto-réparation

L'utilisateur final peut lui-même réparer les pièces de rechange ci-après : poignées de porte, charnières de porte, plateaux, paniers et joints de porte (une liste mise à jour est également disponible à l'adresse support.beko.com au 1er mars 2021).

En outre, pour garantir la sécurité du produit et éviter tout risque de blessure grave, l'autoréparation mentionnée doit être effectuée en suivant les instructions du manuel d'utilisation pour l'autoréparation ou qui sont disponibles dans support.beko.com. Pour votre sécurité, débranchez le produit avant de tenter toute autoréparation.

Les réparations et tentatives de réparation par les utilisateurs finaux pour les pièces ne figurant pas dans cette liste et/ou ne suivant pas les instructions des manuels d'utilisation pour l'autoréparation ou qui sont disponibles dans support.beko.com, pourrait donner lieu à des problèmes de sécurité non imputables à Beko, et annulera la garantie du produit.

Il est donc fortement recommandé aux utilisateurs finaux de s'abstenir de tenter d'effectuer des réparations ne figurant pas sur la liste des pièces de rechange mentionnée, en s'adressant dans ce cas à des réparateurs professionnels autorisés ou à des réparateurs professionnels agréés. Au contraire, de telles tentatives de la part des utilisateurs finaux peuvent causer des problèmes de sécurité et endommager le produit et, par la suite, provoquer un incendie, une inondation, une électrocution et des blessures corporelles graves.

Sans être exhaustives, les réparations suivantes par exemple doivent être effectuées par des personnes qualifiées : les réparateurs professionnels ou les réparateurs professionnels agréés : compresseur, circuit de refroidissement, carte mère, carte de convertisseur, carte d'affichage, etc.

Le fabricant/vendeur ne peut être tenu responsable dans tous les cas où les utilisateurs finaux ne se conforment pas à ce qui précède.

La disponibilité des pièces de rechange du réfrigérateur que vous avez acheté est de 10 ans. Pendant cette période, des pièces de rechange originales seront disponibles pour faire fonctionner correctement le réfrigérateur.

La durée minimale de garantie du réfrigérateur que vous avez acheté est de 24 mois.



FR

Cet appareil
et ses accessoires
se recyclent

REPRISE
À LA LIVRAISON



OU

À DÉPOSER
EN MAGASIN



OU

À DÉPOSER
EN DÉCHÈTERIE



Points de collecte sur www.que-faire-demesdechets.fr
Privilégiez la réparation ou le don de votre appareil !



FR

ÉLÉMENTS
PAPIER



Lea este manual antes de utilizar el frigorífico.

Estimado cliente:

Esperamos que este aparato, que ha sido fabricado en plantas dotadas de la más avanzada tecnología y sometido a los más estrictos procedimientos de control de calidad, le preste un servicio eficaz.




Para ello, le recomendamos que lea atentamente el presente manual antes de utilizar el aparato, y que lo tenga a mano para futuras consultas.






Este manual

- Le ayudará a usar el electrodoméstico de manera rápida y segura.
- Lea el manual antes de instalar y poner en funcionamiento el aparato.
- Siga las instrucciones, en particular las relacionadas con la seguridad.
- Conserve el manual en un sitio de fácil acceso, ya que podría necesitarlo en el futuro.
- Lea también los demás documentos suministrados junto con el aparato. Tenga en cuenta que este manual también podría ser válido para otros modelos.

Símbolos y sus descripciones

El presente manual de instrucciones emplea los siguientes símbolos:

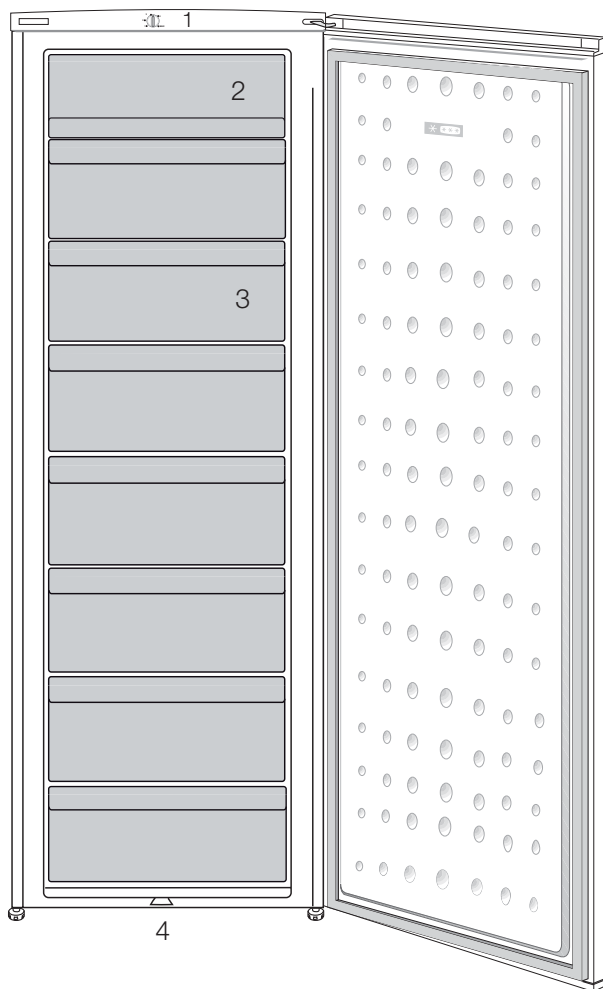
-  Información importante o consejos útiles sobre el funcionamiento.
-  Advertencia sobre situaciones peligrosas para la vida y la propiedad.
-  Advertencia acerca de la tensión eléctrica.

 INFORMACIÓN	
 	La información del modelo, tal como está almacenada en la base de datos de productos, puede ser consultada en la página web siguiente introduciendo el identificador del modelo (*) que se encuentra en la etiqueta de clasificación energética.
SUPPLIER'S NAME 	MODEL IDENTIFIER → (*) 
https://eprel.ec.europa.eu/	

ÍNDICE

1 Su frigorífico	3	4 Preparación	14
2 Avisos importantes sobre la seguridad	4	Inversión de las puertas	16
Finalidad prevista	4	5 Uso de la nevera	17
Productos equipados con dispensador de agua:	9	Ajuste de la temperatura de funcionamiento	17
Seguridad infantil	9	Mando del termostato	18
Conformidad con la normativa WEEE y eliminación del aparato al final de su vida útil:	9	Congelación	18
Cumplimiento de la directiva RoHS: ..	10	Como Congelar Alimentos Frescos	19
Información sobre el embalaje	10	Recomendaciones para Conservación de Alimentos Congelados	21
Advertencia sobre la seguridad de la salud	10	Descongelación	21
Consejos para el ahorro de energía .	10	Congelador Información	21
3 Instalación	11	Descongelación de alimentos congelados	21
Cuestiones a considerar a la hora de transportar el frigorífico	11	Ajustes de Temperatura Recomendados	22
Antes de usar el frigorífico	11	6 Mantenimiento y limpieza	25
Conexiones eléctricas	12	Protección de las superficies de plástico	25
Eliminación del embalaje	12	7 Sugerencias para la solución de problemas	26
Eliminación de su viejo frigorífico	12		
Colocación e instalación	12		
Ajuste de los pies	13		

1 Su frigorífico



1. Panel de control
2. Solapa (Compartimento de congelación rápida)
3. Cajones
4. Pies delanteros ajustables

i Las ilustraciones incluidas en el presente manual de instrucciones son esquemáticas y puede que no se adecúen a su producto con exactitud. Si alguno de los elementos reflejados no se corresponde con el aparato que usted ha adquirido, entonces será válido para otros modelos.

2 Avisos importantes sobre la seguridad

Lea con atención la siguiente información. No tener en cuenta dicha información podría acarrear lesiones o daños materiales. En tal caso, las garantías y los compromisos de fiabilidad quedarían anulados.

Se proporcionarán piezas de recambio originales durante 10 años, después de la fecha de compra del producto.

ADVERTENCIA:

Asegúrese de que cuando el dispositivo está en su custodia o durante su montaje en el alojamiento, los orificios de ventilación no están cerrados.

ADVERTENCIA:

Con el fin de acelerar la operación de derretimiento del hielo, no utilice cualquier dispositivo o aparato mecánico que no es recomendado por el fabricante.



ADVERTENCIA:

No dañe el circuito de fluido refrigerante.

ADVERTENCIA:

No utilice dispositivos eléctricos que no estén recomendados por el fabricante en los compartimentos del dispositivo para la conservación de alimentos.

Este dispositivo está diseñado para ser utilizado en el hogar o en las siguientes aplicaciones similares:

- Con el fin de ser utilizado en las cocinas para el personal de las tiendas, oficinas y otros lugares de trabajo;
- Con el fin de ser utilizado por los clientes en casas de campo y hoteles, moteles y otros lugares de alojamiento:
- en entornos tales pensiones
- en lugares similares que no ofrecen servicios de restauración y no es al por menor

Finalidad prevista

Este aparato está diseñado para usarse en los siguientes entornos:

- interiores y entornos cerrados tales como domicilios particulares;
- entornos cerrados de trabajo tales como almacenes u oficinas;
- zonas de servicio cerradas tales como casas rurales, hoteles o pensiones.
- Este aparato no se debe usar al aire libre.

Seguridad general

- Cuando desee deshacerse del aparato, le recomendamos que solicite a su servicio técnico

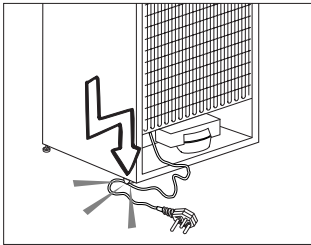
autorizado la información necesaria a este respecto, así como la relación de entidades locales a las que puede dirigirse.

- En caso de dudas o problemas, diríjase a su servicio técnico autorizado. No intente reparar el frigorífico sin consultar con el servicio técnico, ni deje que nadie lo haga.
- Para aparatos equipados con un compartimento congelador: no consuma los helados o cubitos de hielo inmediatamente después de sacarlos del compartimento congelador, ya que podría sufrir daños en su boca a causa del frío.
- Para aparatos equipados con un compartimento congelador: no deposite bebidas embotelladas o enlatadas en el compartimento congelador, ya que podrían estallar.
- No toque con la mano los alimentos congelados, ya que podrían adherirse a ella.
- Desenchufe su frigorífico antes de proceder a su limpieza o deshielo.
- No utilice nunca materiales de limpieza que usen vapor para limpiar o descongelar el frigorífico. El vapor podría entrar en contacto con los elementos eléctricos y causar cortocircuitos o descargas eléctricas.

- No utilice nunca elementos del frigorífico tales como la puerta como medio de sujeción o como escalón.
- No utilice aparatos eléctricos en el interior del frigorífico.
- Evite dañar el circuito del refrigerante con herramientas cortantes o de perforación. El refrigerante que puede liberarse si se perforan los canales de gas del evaporador, los conductos o los recubrimientos de las superficies causa irritaciones en la piel y lesiones en los ojos.
- No cubra ni bloquee los orificios de ventilación de su frigorífico con ningún material.
- Deje la reparación de los aparatos eléctricos únicamente en manos de personal autorizado. Las reparaciones realizadas por personas incompetentes generan riesgos para el usuario.
- En caso de fallo o cuando vaya a realizar cualquier operación de reparación o mantenimiento, desconecte el frigorífico de la corriente apagando el fusible correspondiente o bien desenchufando el aparato.
- No desenchufe el aparato de la toma de corriente tirando del cable.

- Asegúrese de guardar las bebidas alcohólicas correctamente con la tapa puesta y colocadas hacia arriba.
- No almacene en el frigorífico aerosoles que contengan sustancias inflamables o explosivas.
- No utilice dispositivos mecánicos u otros medios para acelerar el proceso de deshielo distintos de los recomendados por el fabricante.
- Este aparato no debe ser utilizado por niños o por personas con sus facultades físicas, sensoriales o mentales reducidas o bien que carezcan de la experiencia y los conocimientos necesarios, a menos que lo hagan bajo la supervisión de personas responsables de su seguridad o bien tras haber recibido instrucciones de uso por parte de dichas personas.
- No utilice un frigorífico que haya sufrido daños. Consulte con el servicio de atención al cliente en caso de duda.
- La seguridad eléctrica de su frigorífico sólo estará garantizada si el sistema de toma de tierra de su domicilio se ajusta a los estándares.
- Desde el punto de vista de la seguridad eléctrica, es peligroso exponer el aparato a la lluvia, la nieve o el viento.
- Póngase en contacto con el servicio técnico autorizado en caso de que el cable de alimentación principal se dañe, para evitar cualquier peligro.
- Nunca enchufe el frigorífico en la toma de corriente durante su instalación. Existe peligro de lesiones graves e incluso de muerte.
- Este frigorífico está únicamente diseñado para almacenar alimentos. No debe utilizarse para ningún otro propósito.
- La etiqueta que contiene los datos técnicos del frigorífico se encuentra en la parte interior izquierda del mismo.
- Jamás conecte el frigorífico a sistemas de ahorro de electricidad, ya que podría dañarlo.
- Si el frigorífico está equipado con una luz azul, no la mire a simple vista o a través de dispositivos ópticos durante un tiempo prolongado.
- En los frigoríficos de control manual, si se produce un corte del fluido eléctrico espere al menos 5 minutos antes de volver a ponerlo en marcha.

- Cuando entregue este aparato a un nuevo propietario, asegúrese de entregar también este manual de instrucciones.
- Tenga cuidado de no dañar el cable de alimentación al transportar el frigorífico. Doblar el cable podría causar un incendio. Nunca deposite objetos pesados encima del cable de alimentación. No toque el enchufe con las manos mojadas para conectar el aparato.

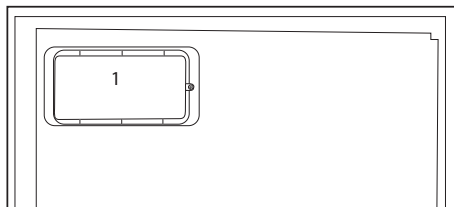
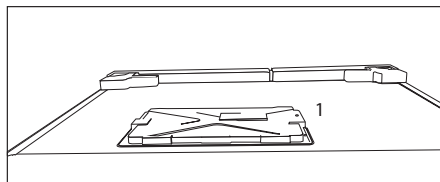


- Al colocar el aparato, asegúrese de que el cable de alimentación no esté atrapado o dañado.
- No coloque múltiples tomacorrientes portátiles o fuentes de alimentación portátiles en la parte posterior del aparato.
- Los niños de 3 a 8 años pueden cargar y descargar aparatos frigoríficos.
- Para evitar la contaminación de los alimentos, por favor respete las siguientes instrucciones:
- Dejar la puerta abierta durante mucho tiempo

puede provocar un aumento significativo de la temperatura en los compartimentos del frigorífico.

- Limpie regularmente las superficies que puedan entrar en contacto con los alimentos y los sistemas de drenaje accesibles.
- Limpie los depósitos de agua si no se han utilizado durante 48 horas; enjuague el sistema de agua conectado a un suministro de agua si no se ha extraído agua durante 5 días.
- Almacene la carne y el pescado crudos en recipientes adecuados en el frigorífico, de modo que no estén en contacto con otros alimentos ni goteen sobre ellos.
- Los compartimentos de dos estrellas para alimentos congelados son adecuados para almacenar alimentos pre-congelados, almacenar o hacer helados y cubitos de hielo.
- Los compartimentos de una, dos y tres estrellas no son adecuados para la congelación de alimentos frescos.
- Si el aparato de refrigeración se deja vacío durante mucho tiempo, apáguelo, descongélelo, límpielo, límpielo, séquelo y deje la puerta abierta para evitar que se forme moho dentro del aparato.

- No enchufe el frigorífico si el enchufe no encaja con firmeza en la toma de corriente de la pared.
- Por razones de seguridad, no pulverice agua directamente en la partes interiores o exteriores de este aparato.
- No rocíe cerca del frigorífico sustancias que contengan gases inflamables tales como gas propano para evitar riesgos de incendio y explosiones.
- Nunca coloque recipientes con agua sobre el frigorífico, ya que podría provocar una descarga eléctrica o un incendio.
- No deposite cantidades excesivas de alimentos en el frigorífico. Si lo hace, al abrir la puerta del frigorífico los alimentos podrían caerse y provocar lesiones personales o dañar el frigorífico. Nunca coloque objetos sobre el frigorífico, ya que podrían caer al abrir o cerrar la puerta.
- No guarde en el frigorífico productos que necesiten un control preciso de la temperatura tales como vacunas, medicamentos sensibles al calor, materiales científicos, etc.
- Desenchufe el frigorífico si no lo va a utilizar durante un periodo prolongado de tiempo. Un problema en el cable de alimentación podría causar un incendio.
- El frigorífico podría moverse si los pies no están adecuadamente asentados en el suelo. Fijar adecuadamente los pies del frigorífico en el suelo puede ayudar a evitar que se mueva.
- Cuando transporte el frigorífico, no lo aferre del asa de la puerta. De lo contrario, podría romperla.
- Cuando tenga que colocar el frigorífico cerca de otro frigorífico o congelador, deberá dejar un espacio entre ambos aparatos de 8 cm como mínimo. De lo contrario, podría formarse humedad en las paredes adyacentes.
- Nunca utilice el producto si la sección situada en la parte superior o posterior del producto que tiene las placas de circuitos impresos electrónicos en el interior está abierta (cubierta de la placa del circuito electrónico impreso) (1).



Productos equipados con dispensador de agua:

- La presión en la entrada de agua fría sera a un máximo de 90 psi (620 kPa). Si la presión del agua es superior a 80 psi (550 kPa), utilice una válvula limitadora de presión en el sistema de red. Si usted no sabe cómo controlar la presión del agua, pida la ayuda de un plomero profesional.
- Si hay riesgo de golpe de ariete en la instalación, siempre utilice un equipo de prevención contra golpes de ariete en la instalación. Consulte a un fontanero profesional si no está seguro de que no hay un efecto del golpe de ariete en la instalación.

- No instale en la entrada de agua caliente. Tome precauciones contra el riesgo de congelación en las mangueras. El intervalo de funcionamiento de la temperatura del agua debe ser un mínimo de 33°F (0.6°C) y un máximo de 100°F (38°C).
- Use agua potable únicamente.

Seguridad infantil

- Si la puerta tiene cerradura, mantenga la llave fuera del alcance de los niños.
- Vigile a los niños para evitar que manipulen el aparato.

Conformidad con la normativa WEEE y eliminación del aparato al final de su vida útil:



Este producto es conforme con la directiva de la UE sobre residuos de aparatos eléctricos y electrónicos (WEEE) (2012/19/UE). Este producto incorpora el símbolo de la clasificación selectiva para los residuos de aparatos eléctricos y electrónicos (WEEE).

Este aparato se ha fabricado con piezas y materiales de primera calidad, que pueden ser reutilizados y son aptos para el reciclado. No se deshaga del producto junto con sus los residuos domésticos normales y de otros tipos al final de su vida útil. Llévelo a un

centro de reciclaje de dispositivos eléctricos y electrónicos. Solicite a las autoridades locales información acerca de dichos centros de recogida.

Cumplimiento de la directiva RoHS:

El producto que ha adquirido es conforme con la directiva de la UE sobre la restricción de sustancias peligrosas (RoHS) (2011/65/UE). No contiene ninguno de los materiales nocivos o prohibidos especificados en la directiva.

Información sobre el embalaje

El embalaje del aparato se fabrica con materiales reciclables, de acuerdo con nuestro Reglamento Nacional sobre Medio Ambiente. No elimine los materiales de embalaje junto con los residuos domésticos o de otro tipo. Llévelos a un punto de recogida de materiales de embalaje designado por las autoridades locales.

Advertencia sobre la seguridad de la salud

Si el sistema de refrigeración de su aparato contiene R600a:

Este gas es inflamable. Por lo tanto, procure no dañar el sistema de enfriamiento ni sus conductos durante el uso o el transporte del aparato. En caso de daños, mantenga el aparato alejado de fuentes potenciales de ignición que puedan provocar que éste sufra un incendio, y ventile la estancia en la que se encuentre el aparato.

Ignore esta advertencia si el sistema de refrigeración de su aparato contiene R134a.

El tipo de gas utilizado en el aparato se indica en la placa de datos ubicada en la pared interior izquierda del frigorífico.

Jamás arroje el aparato al fuego.

Consejos para el ahorro de energía

- No deje las puertas del frigorífico abiertas durante periodos largos de tiempo.
- No introduzca alimentos o bebidas calientes en el frigorífico.
- No sobrecargue el frigorífico, ya que entorpecería la circulación del aire en su interior.
- No instale el frigorífico de forma que quede expuesto a la luz solar directa o cerca de aparatos que irradian calor tales como hornos, lavavajillas o radiadores.
- Procure depositar los alimentos en recipientes cerrados.
- Productos equipados con compartimento congelador: puede disponer del máximo volumen para el depósito de alimentos retirando el estante o el cajón del congelador. El consumo energético que se indica para su frigorífico se ha calculado retirando el estante o el cajón del congelador y en condiciones de máxima carga. No existe ningún riesgo en la utilización de un estante o cajón según las formas o tamaños de los alimentos que se van a congelar.
- Descongele los alimentos congelados en el compartimento frigorífico; ahorrará energía y preservará la calidad de los alimentos.

3 Instalación

⚠ Recuerde que el fabricante declina toda responsabilidad en caso de incumplimiento de las instrucciones de este manual.

Cuestiones a considerar a la hora de transportar el frigorífico

1. El frigorífico debe estar vacío y limpio antes de proceder a su transporte.
2. Los estantes, accesorios, el cajón de frutas y verduras, etc., deben sujetarse con cinta adhesiva antes de embalar el frigorífico para evitar que se muevan.
3. Encinte el frigorífico una vez embalado con cinta gruesa y fíjelo con cuerdas resistentes. Siga las reglas de transporte que encontrará impresas en el propio embalaje.

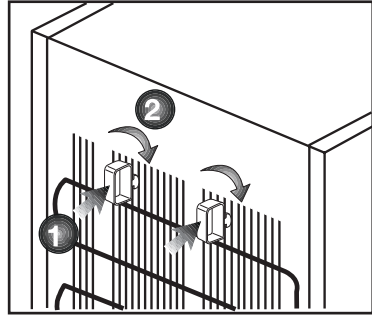
No olvide que:

El reciclaje de materiales es un asunto de vital importancia para la naturaleza y para los recursos del país. Si desea contribuir al reciclaje de los materiales de embalaje, solicite más información a los responsables medioambientales de su zona o a las autoridades locales.

Antes de usar el frigorífico

Antes de empezar a usar el frigorífico, verifique lo siguiente:

1. El interior del frigorífico está seco y el aire puede circular con libertad por su parte posterior.
2. Introduzca 2 cuñas plásticas en la ventilación trasera, como se muestra en la figura siguiente. Las cuñas de



plástico proporcionarán la distancia requerida entre su frigorífico y la pared para una correcta circulación del aire.

3. Limpie el interior del frigorífico de la forma recomendada en la sección "Mantenimiento y Limpieza".
4. Enchufe el frigorífico a la toma de corriente. Al abrir la puerta del frigorífico, la luz interior del compartimento frigorífico se enciende.
5. Se oye un sonido cuando arranca el compresor. El líquido y los gases contenidos en el sistema de refrigeración pueden también generar ruidos, incluso aunque el compresor no esté funcionando, lo cual es normal.
6. Es posible que las aristas delanteras del aparato se noten calientes al tacto. cosa que es perfectamente normal. Estas zonas deben permanecer calientes para evitar la condensación.

Conexiones eléctricas

Conecte el frigorífico a una toma de corriente provista de toma de tierra y protegida por un fusible de la capacidad adecuada.

Importante:

- La conexión debe cumplir con las normativas nacionales.
- El enchufe de alimentación debe ser fácilmente accesible tras la instalación.
- La tensión especificada debe corresponder a la tensión de la red eléctrica.
- No use cables de extensión ni enchufes múltiples para conectar la unidad.

⚠ Todo cable de alimentación dañado debe ser reemplazado por un electricista cualificado.

⚠ No ponga en funcionamiento el aparato hasta que esté reparado, ya que existe peligro de cortocircuito.

Eliminación del embalaje

Los materiales de empaque pueden ser peligrosos para los niños. Manténgalos fuera de su alcance o deshágase de ellos clasificándolos según las instrucciones para la eliminación de residuos. No los tire junto con los residuos domésticos normales.

El embalaje del frigorífico se ha fabricado con materiales reciclables.

Eliminación de su viejo frigorífico

Deshágase de su viejo frigorífico de manera respetuosa con el medio ambiente.

- Consulte las posibles alternativas a un distribuidor autorizado o al centro de recogida de residuos de su municipio.

Antes de proceder a la eliminación del frigorífico, corte el enchufe y, si las puertas tuvieran cierres, destrúyalos para evitar que los niños corran riesgos.

Colocación e instalación

⚠ Si la puerta de entrada a la estancia donde va a instalar el frigorífico no es lo suficientemente ancha como para permitir su paso, solicite al servicio técnico que retire las puertas del frigorífico y lo pase de lado a través de la puerta.

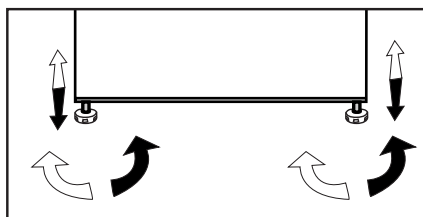
1. Instale el frigorífico en un lugar en el que pueda utilizarse con comodidad.
2. Mantenga el frigorífico alejado de fuentes de calor y lugares húmedos y evite su exposición directa a la luz solar.
3. Para que el frigorífico funcione con la máxima eficacia, debe instalarse en una zona que disponga de una ventilación adecuada. Si el frigorífico va a instalarse en un hueco de la pared, debe dejarse un mínimo de 5 cm de separación con el techo y de 5 cm con las paredes. Si el suelo está cubierto con una alfombra, deberá elevar el frigorífico 2,5 cm del suelo.
4. Coloque el frigorífico sobre una superficie lisa para evitar sacudidas.

5. Su producto requiere una circulación de aire adecuada para funcionar eficientemente. Si el producto va a ser colocado en un hueco, recuerde dejar al menos 5 cm de espacio entre el producto y el techo, la pared trasera y las paredes laterales. Si el producto va a ser colocado en un hueco, recuerde dejar al menos 5 cm de espacio entre el producto y el techo, la pared trasera y las paredes laterales. Compruebe si el componente de protección de la parte trasera se encuentra colocado en su lugar (en caso de ser suministrado con el producto). Si el componente no está disponible, o si se pierde o se cae, coloque el producto de manera que quede un espacio libre, de al menos 5 cm, entre la superficie trasera del producto y la pared de la habitación. El espacio libre en la parte trasera es importante para el funcionamiento eficiente del producto.

Ajuste de los pies

Si su frigorífico no está equilibrado:

Puede equilibrar el frigorífico girando los pies delanteros tal como se muestra en la ilustración. La esquina correspondiente al pie que está manipulando descenderá al girar el pie en la dirección de la flecha negra y se elevará al girarlo en la dirección opuesta. Le será más fácil realizar esta operación si le pide a alguien que levante ligeramente el frigorífico.



4 Preparación

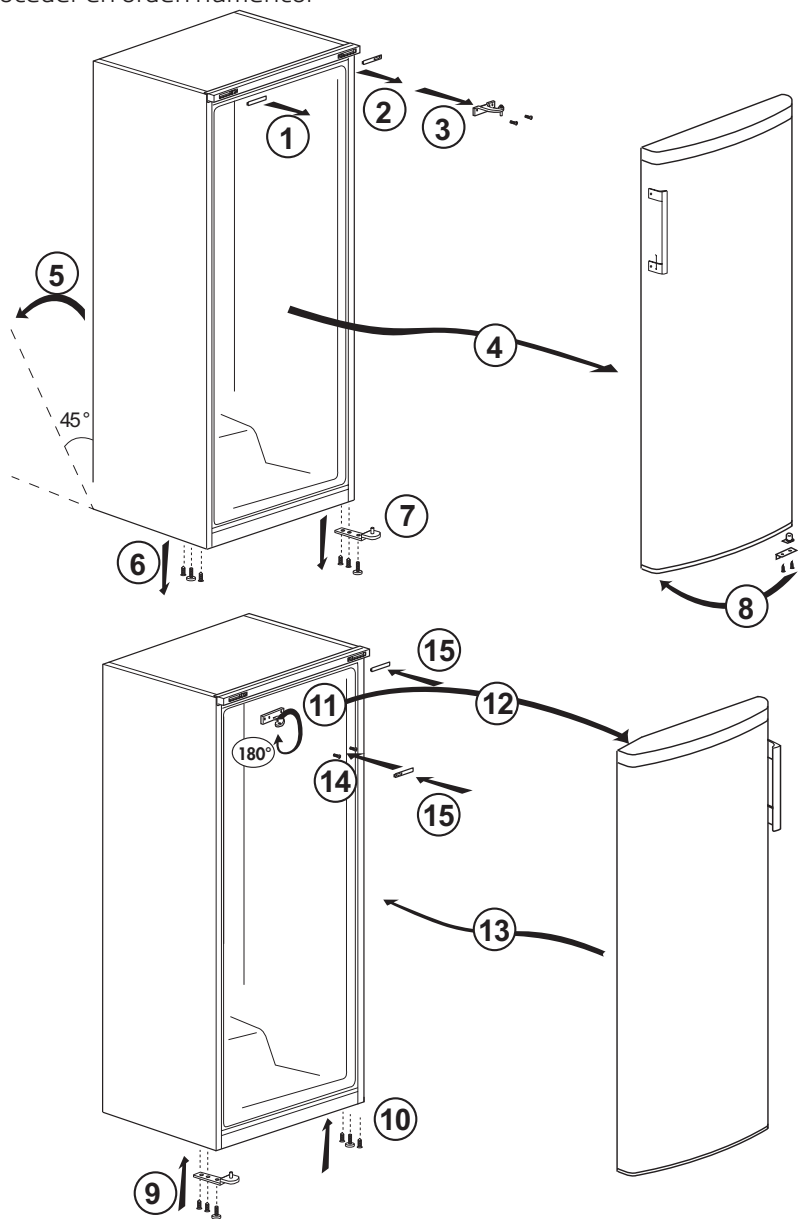
- Para uso no empotrado: "este aparato de refrigeración no está destinado a ser utilizado como electrodoméstico empotrado.
- El frigorífico debe instalarse dejando una separación no inferior a 30 cm respecto a fuentes de calor tales como quemadores, hornos, calefacciones o estufas y no inferior a 5 cm con respecto a hornos eléctricos, evitando asimismo su exposición directa a la luz solar.
- Asegúrese de limpiar meticulosamente el interior del frigorífico.
- En caso de que vaya a instalar dos frigoríficos uno al lado del otro, debe dejar una separación no inferior a 2 cm entre ellos.
- Al utilizar el frigorífico por primera vez, siga las siguientes instrucciones referentes a las primeras seis horas.
- No abra la puerta con frecuencia.
- No deposite alimentos en el interior.
- No desenchufe el frigorífico. En caso de corte del suministro eléctrico ajeno a su voluntad, consulte las advertencias de la sección "Sugerencias para la solución de problemas".
- Guarde el embalaje original para futuros traslados.
- Este aparato ha sido diseñado para operar a las temperaturas indicadas en la siguiente tabla e incorpora el sistema AETCS (sistema avanzado de control electrónico de la temperatura), que garantiza que en la posición recomendada (la posición "4" del mando) los alimentos congelados contenidos en el congelador no se descongelarán incluso aunque la temperatura ambiente llegue a los -15 °C. Cuando instale el aparato por primera vez, EVITE hacerlo en estancias cuya temperatura ambiente sea baja, ya que el congelador no podrá alcanzar su temperatura normal de funcionamiento. Una vez el congelador haya alcanzado su temperatura de funcionamiento estable, podrá reubicar el aparato, instalándolo en un garaje o en cualquier otra estancia sin calefacción sin tener que preocuparse de la posibilidad de que los alimentos depositados en el congelador se estropeen. Sin embargo, a las temperaturas ambiente bajas antes citadas los alimentos depositados en el frigorífico podrían congelarse, de modo que le recomendamos que los compruebe y consuma en consecuencia. Cuando la temperatura ambiente retorne a los valores normales, podrá cambiar la posición del mando según sus necesidades.
- Si la temperatura ambiente es inferior a 0 °C, los alimentos depositados en el compartimento frigorífico se congelarán. Así pues, recomendamos que no utilice

el compartimento frigorífico en tales condiciones ambientales. Sin embargo, podrá seguir utilizando el compartimento congelador con normalidad.

- En algunos modelos, el panel de instrumentos se apaga automáticamente 5 minutos después de cerrar la puerta. Se reactivará cuando se abra la puerta o se pulse cualquier botón.
- Debido al cambio de temperatura como resultado de la apertura/ clausura de la puerta del producto durante el funcionamiento, la condensación en los estantes de la puerta/cuerpo y los contenedores de cristal es normal.
- Puesto que el aire caliente y húmedo no penetra directamente en su producto cuando las puertas no están abiertas, su producto se optimiza en condiciones suficientes para proteger sus alimentos. Las funciones y componentes como el compresor, ventilador, calentador, descongelador, iluminación, pantalla, etc. funcionarán de acuerdo con las necesidades de consumo mínimo de energía en estas circunstancias.

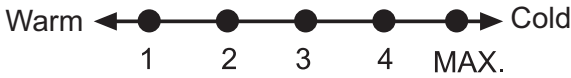
Inversión de las puertas

Proceder en orden numérico.



5 Uso de la nevera

Ajuste de la temperatura de funcionamiento



La temperatura de funcionamiento se regula mediante el mando de control de temperatura.

1 = Nivel mínimo de refrigeración (Posición de máximo calor)

4 = Nivel máximo de refrigeración (Posición de máximo frío)

* Actividades adicionales de función de refrigeración rápida.

Seleccione el ajuste en función de la temperatura deseada.

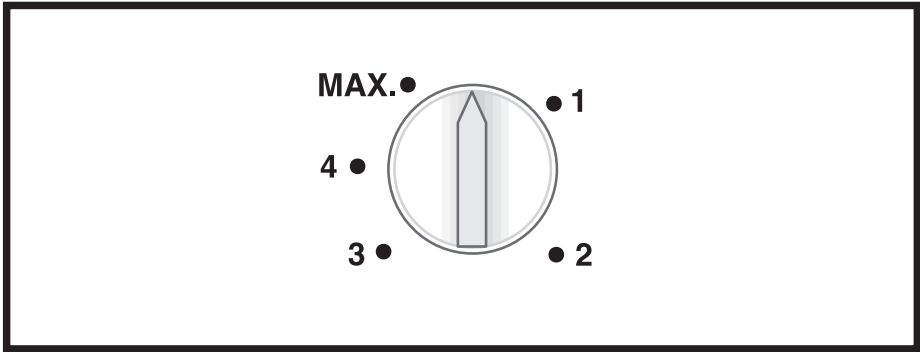
La temperatura interior depende asimismo de la temperatura ambiente, la frecuencia de apertura de la puerta y la cantidad de alimentos almacenados.

Una apertura frecuente de la puerta provoca un aumento de la temperatura del interior.

Por este motivo, se recomienda cerrar la puerta lo antes posible después de cada uso.

La temperatura normal de almacenamiento del electrodoméstico debe ser de $-18\text{ }^{\circ}\text{C}$ ($0\text{ }^{\circ}\text{F}$). Es posible alcanzar temperaturas más bajas desplazando el mando del termostato hacia la posición 4.

Se recomienda comprobar la temperatura con un termómetro para asegurarse de que los compartimentos de almacenamiento se encuentren a la temperatura deseada. Es necesario tomar la lectura inmediatamente, puesto que la temperatura del termómetro subirá muy rápidamente después de que se saque del congelador.



Mando del termostato

El mando del termostato se encuentra en la moldura superior.

Importante:

Es posible que tras pulsar el interruptor de congelación rápida o ajustar la temperatura, transcurran unos instantes antes de que el compresor se ponga en marcha. Se trata de algo normal y en ningún caso se trata de un fallo de funcionamiento.

Congelación

Congelación de alimentos

El electrodoméstico puede utilizarse para congelar alimentos frescos así como para almacenar preparados precongelados.

Por favor, consulte las recomendaciones que figuran en el envase de los alimentos.

- **Atención**

No congele bebidas gaseosas, ya que las botellas pueden estallar cuando el líquido en su interior se congele.

Tenga cuidado con los productos congelados tales como los cubitos de hielo de colores.

No rebase la cantidad de alimentos que es capaz de congelar la nevera en 24 horas. Consulte la etiqueta de datos.

Para mantener la calidad de los alimentos, la congelación de los mismos debe realizarse lo más rápidamente posible.

De esa manera, no se excederá la capacidad de congelación y no aumentará la temperatura en el interior del congelador.

- **Atención**

Mantenga los alimentos ya congelados separados de los colocados recientemente.

Cuando introduzca alimentos calientes en el congelador, el compresor de refrigeración se mantendrá en funcionamiento hasta que estén completamente congelados. Esto puede temporalmente provocar un enfriamiento excesivo del compartimento frigorífico.

Puede resultar difícil abrir la puerta del congelador justo después de haberla cerrado. No se preocupe. Ello se debe a la diferencia de presión, que se igualará y permitirá la normal apertura de la puerta en pocos minutos.

Oírás un sonido de aspiración nada más cerrar la puerta. Esto es perfectamente normal.

- **Congelación rápida**

Si va a congelar grandes cantidades de alimentos frescos, ponga el mando de control en la posición máx. 24 horas antes de depositar los alimentos en el compartimento de congelación rápida.

Se recomienda encarecidamente mantener el mando en la posición MAX durante por lo menos 24 horas para congelar la cantidad máxima de alimentos correspondiente a la capacidad de congelación. Ponga especial cuidado en no mezclar alimentos frescos y alimentos ya congelados.

Recuerde volver a situar el mando del termostato en su posición previa una vez los alimentos se hayan congelado.

Como Congelar Alimentos Frescos

- Los alimentos a congelar se deben distribuir en porciones según el tamaño que se consumirá, y congelarse en paquetes separados. De esta manera, se evitará que se vuelvan a congelar todos los alimentos que se descongelan.
- Con el fin de proteger al máximo el valor nutritivo, el aroma y el color de los alimentos, las verduras se deben hervir por un breve periodo de tiempo antes de congelar. (No es necesario hervir alimentos como el pepino, el perejil.) La duración de cocción de las verduras congeladas de este modo es 1/3 más corta en comparación con las verduras frescas.
- Para prolongar los tiempos de almacenamiento de los alimentos congelados, las verduras hervidas deben filtrarse primero y luego empacarse en forma hermética como todo tipo de alimentos.
- No se deben colocar los alimentos en el compartimento del congelador sin embalaje.
- Los materiales de empaque de los alimentos que se van a almacenar deben ser herméticos, espesos y duraderos, y no se deben deformar ni con el frío ni con la humedad. En caso contrario, los alimentos que se endurecen al congelarse podrían perforar el paquete. El sellado del paquete también es importante para almacenar los alimentos de forma segura.

Para congelar los alimentos son adecuados los siguientes tipos de paquetes:

Bolsa de polietileno, papel de aluminio, papel de plástico, bolsas al vacío y recipientes de almacenamiento resistentes al frío con tapa.

No es recomendable el uso de los siguientes tipos de paquetes para congelar los alimentos;

Papel de embalaje, papel pergamino, celofán (papel de gelatina), bolsa de basura, bolsas utilizadas y bolsas de compra.

- Los alimentos calientes no se deben colocar en el compartimento del congelador sin que se hayan enfriado.
- Al colocar alimentos frescos no congelados en el compartimento congelador, asegúrese de que no entra en contacto con los alimentos congelados. Los Cool-pack (PCM) se pueden colocar en la rejilla justo debajo de la rejilla del congelador rápido para impedir que se calienten.
- Durante el tiempo de congelación (24 horas) no coloque otros alimentos en el congelador.
- Coloquen sus alimentos en los estantes o rejillas de congelación extendiéndolos para que no queden apilados (se recomienda que los envases no tengan contacto).
- Los alimentos que se congelan han de consumirse de inmediato en un breve periodo de tiempo tras la descongelación y nunca se deben volver a congelar.

- No bloquee los agujeros de ventilación situando los alimentos congelados delante de dichos agujeros ubicados en la superficie posterior.
- Le sugerimos fijar una etiqueta sobre el paquete y escribir el nombre de los alimentos y el tiempo de congelación.

Alimentos adecuados para la congelación:

- Pescados y mariscos, carne roja y blanca, aves de corral, verduras, frutas, especias vegetales, productos lácteos (como queso, mantequilla y yogur colado), pastelería, alimentos preparados o cocinados, comidas con patatas, suflé y postres.

Alimentos no adecuados para la congelación:

- Yogur, leche agria, nata, mayonesa, ensalada de verduras, rábano rojo, uvas, todas las frutas (tal como la manzana, las peras y los melocotones).
- Las cantidades especificadas por paquete no se deben superar para que los alimentos se congelen de forma rápida y completa.
 - Frutas y verduras, 0,5-1 kg
 - Carne, 1-1,5 kg
- Una pequeña cantidad de alimentos (máximo 2 kg) se puede congelar también sin utilizar la función de congelación rápida.

Con el fin de obtener el mejor resultado, aplique las siguientes instrucciones:

1. Active la función de congelación rápida 24 horas antes de colocar los alimentos frescos.
 2. 24 horas después de girar la perilla del termostato, coloque primero los alimentos que desee congelar en el tercer cajón (contando desde abajo) con mayor capacidad de congelación. Si aún le quedan alimentos, colóquelos en la parte delantera del segundo cajón empezando por abajo.
 3. La función de congelación rápida se desactivará automáticamente después de 50 horas.
 4. No intente congelar grandes cantidades de comida a la vez. En menos de 24 horas, este producto puede congelar la cantidad máxima de alimentos especificada como "Capacidad de congelación de ... kg/24 horas" en su etiqueta de características. No es recomendable colocar en comportamiento congelador más cantidad de alimentos descongelados/frescos que la especificada en la etiqueta.
- Para colocar y almacenar los alimentos en el congelador puede revisar las tablas de Carne y Pescado, Verduras y Frutas, Productos Lácteos.

Recomendaciones para Conservación de Alimentos Congelados

- Al comprar sus alimentos congelados, asegúrese de que estén congelados a la temperatura adecuada y de que sus envases no estén rotos.
- Coloque los paquetes en el congelador tan pronto como sea posible después de comprarlos.
- Asegúrese de que no haya expirado la fecha de caducidad indicada en el envase antes de consumir los alimentos pre-ensados que retire del congelador.

Descongelación

El hielo de los compartimentos congeladores se derrite de forma automática.

Congelador Información

Según la norma EN 62552, (según las condiciones específicas de medición) se pueden congelar al menos 4,5 kg de alimentos por cada 100 litros de volumen del compartimento congelador a una temperatura ambiente de 25°C en 24 horas.

Descongelación de alimentos congelados

Según la diversidad de alimentos y la finalidad de uso, se puede elegir entre las siguientes opciones de descongelación

- A temperatura ambiente (no es muy conveniente descongelar los alimentos dejándolos a temperatura ambiente durante mucho tiempo para mantener la calidad de los mismos)
- En el refrigerador
- En el horno eléctrico (en modelos con o sin ventilador)
- En el horno microondas
- En caso de humedad e inflado inusual en los envases de los alimentos congelados, es probable que hayan sido almacenados previamente en condiciones inadecuadas y su contenido se haya deteriorado. No consuma estos alimentos sin antes comprobar.
- Su alimento congelado debe estar menos condimentado o las especias deseadas se deben añadir a los alimentos después del proceso de descongelación, puesto que algunas especias de las comidas cocinadas pueden cambiar su sabor por haberse sometido a condiciones de almacenamiento a largo plazo.

¡PRECAUCIÓN!

- Nunca ponga las bebidas ácidas en botellas de vidrio y en latas en su congelador por el riesgo de explosión.

Ajustes de Temperatura Recomendados

Ajuste de compartimiento congelador	Observaciones
-20 °C	Este es la temperatura predeterminada y recomendada.
-21,-22,-23 o -24 oC	Estos ajustes se recomiendan cuando la temperatura ambiente es superior a 30°C o cuando crea que el frigorífico no está lo suficientemente frío debido a que la puerta ha sido abierta y cerrada muchas veces.
Congelación Rápida	Úselo cuando desee congelar su comida en poco tiempo. Se recomienda su uso para conservar la calidad de los alimentos frescos. No hace falta utilizar la función de congelación rápida para poner los alimentos congelados. No hace falta utilizar la función de congelación rápida para congelar una pequeña cantidad de alimentos frescos, hasta 2 kg por día.

Carne y Pescado		Preparación		Tiempo máximo de almacenamiento (mes)
Productos de carne	Ternera	Carne de res	Cortarlos en grosor de 2 cm y colocar papel de aluminio entre ellos o envolverlos herméticamente con película estirable.	6 - 8
		Asado	Embalar los trozos de carne en bolsas de refrigerador o envolverlos herméticamente con película estirable	6 - 8
		Cubos	En piezas pequeñas	6 - 8
		Milanesa, chuleta	Colocar papel de aluminio entre rodajas cortadas o envolver cada una de ellas con película estirable	6 - 8
	Carne de cordero	Chuletas	Colocar papel de aluminio entre piezas de carne o envolver cada una de ellas con película estirable	4 - 8
		Asado	Embalar los trozos de carne en bolsas de refrigerador o envolverlos herméticamente con película estirable	4 - 8
		Cubos	Embalar carne machacada en una bolsa de congelador o envolverla herméticamente con película estirable	4 - 8
	Carne de res	Asado	Embalar los trozos de carne en bolsas de refrigerador o envolverlos herméticamente con película estirable	8-12
		Carne de res	Cortarlos en grosor de 2 cm y colocar papel de aluminio entre ellos o envolverlos herméticamente con película estirable.	8-12
		Cubos	En piezas pequeñas	8-12
		Carne hervida	Embalar como pequeñas cantidades en bolsas de refrigerado.	8-12
	Carne picada		Sin sazonar, en bolsas planas	1 - 3
	Asadura (pieza)		En piezas	1 - 3
	Salchicha fermentada - Salami		Debe estar envasado aunque tenga su propia cubierta.	1-2
Jamón		Colocar papel de aluminio entre las rodajas cortadas	2-3	
Aves de corral y animales de caza	Pollo y Pavo		Envolver en papel de aluminio	4 - 6
	Ganso		Envolver en papel de aluminio (las porciones no deben superar los 2,5 kg)	4 - 6
	Pato		Envolver en papel de aluminio (las porciones no deben superar los 2,5 kg)	4-6
	Ciervo, Conejo, Corzo		Envolver en papel de aluminio (las porciones no deben superar los 2,5 kg, y sus huesos deben estar apartados)	6 - 8
Pescado y Marisco	Pescado de agua dulce (Trucha, Carpa, Grulla, Bagre)	Tras limpiar a fondo el interior y las escamas, se debe lavar y secar, y cortar las partes de cola y cabeza cuando sea necesario.		2
	Pescado magro (Róbalo, Rombo, Lengado)		4-6	
	Pescado graso (Bonito, Mackerel, Pescado Azul, Salmonete, Anchoa)		2 - 4	
	Mariscos		Limpado y en bolsas	4 - 6
	Caviar		En su paquete, en contenedor de aluminio o de plástico	2 - 3

Frutas y Vegetales	Preparación	Tiempo máximo de almacenamiento (mes)
Judía y Judía trepadora	Hervir y pasar por agua con cubitos de hielo durante 3 minutos después de lavar y cortar en pequeñas piezas	10 - 13
Guisante	Hervir y pasar por agua con cubitos de hielo durante 2 minutos después de limpiar y lavar	10-12
Repollo	Hervir y pasar por agua con cubitos de hielo durante 1-2 minutos después de limpiar	6 - 8
Zanahoria	Hervir y pasar por agua con cubitos de hielo durante 3-4 minutos después de limpiar y cortar en piezas	12
Pimiento	Hervir 2-3 minutos después de cortar, partir en dos y limpiar las las semillas	8 - 10
Espinacas	Hervir y pasar por agua con cubitos de hielo durante 2 minutos después de lavar y limpiar	6 - 9
Puerro	Hervir y pasar por agua con cubitos de hielo durante 5 minutos después de cortar	6-8
Coliflor	Hervir y pasar por agua con cubitos de hielo y limón durante 3-5 minutos después de cortar en piezas	10 - 12
Berenjena	Hervir y pasar por agua con cubitos de hielo durante 4 minutos después de lavar y cortar en piezas de 2cm	10 - 12
Chayote	Hervir y pasar por agua con cubitos de hielo durante 2-3 minutos después de lavar y cortar en piezas de 2cm	8-10
Seta	Saltear levemente en aceite y exprimir limón	2-3
Maíz	Limpia y envasando en mazorca o granulado	12
Manzana y Pera	Hervir y pasar por agua con cubitos de hielo durante 2-3 minutos después de pelar y cortar	8 - 10
Albaricoque y Melocotón	Partir por la mitad y quitar las semillas	4 - 6
Fresa y Frambuesa	Lavar y desgranar	8 - 12
Fruta cocida	Añadir un 10% de azúcar en el recipiente	12
Ciruela, Cereza, Cereza Agria	Lavar y desgranar los tallos	8 - 12

Productos Lácteos	Preparación	Tiempo Mínimo de Almacenamiento (Mes)	Condiciones de Almacenamiento
Queso (excepto queso feta)	Colocar papel de aluminio entre las rodajas	6 - 8	Puede permanecer en su envase original para almacenamiento a corto plazo. Para almacenamiento a largo plazo se debe envolver también en papel de aluminio o plástico.
Mantequilla, margarina	En su propio envase	6	En su propio envase o en envases de plástico

6 Mantenimiento y limpieza

- ⚠ No utilice nunca gasolina, benceno o sustancias similares para la limpieza.
- ⚠ Le recomendamos desenchufar el aparato antes de proceder a su limpieza.
- ℹ No utilice nunca para la limpieza instrumentos afilados o sustancias abrasivas, jabones, limpiadores domésticos, detergentes ni ceras abrillantadoras.
- ℹ Limpie el armario del frigorífico con agua tibia y séquelo con un paño.
- ℹ Para limpiar el interior, utilice un paño humedecido en un vaso grande de agua con una cucharadita de bicarbonato sódico disuelta y séquelo con un trapo.
- ⚠ Asegúrese de que no penetre agua en el alojamiento de la lámpara ni en otros elementos eléctricos.
- ⚠ Si no va a utilizar el frigorífico durante un periodo prolongado, desenchúfelo, retire todos los alimentos, límpielo y deje la puerta entreabierta.
- ℹ Compruebe regularmente los cierres herméticos de la puerta para asegurarse de que estén limpios y sin restos de alimentos.
- ℹ Para extraer las bandejas de la puerta, retire todo su contenido y, a continuación, simplemente empuje la bandeja hacia arriba desde su base.
- ℹ Nunca use agentes de limpieza o agua que contengan cloro para limpiar las superficies exteriores y los cromados del producto, ya que el cloro corroe dichas superficies metálicas.
- ℹ No utilice herramientas afiladas y abrasivas ni jabón, productos de limpieza domésticos, detergentes, gasolina, benceno, cera, etc., de lo contrario los sellos en las piezas de plástico se caerán y deformarán. Use agua tibia y un paño suave para limpiar y secar.

Protección de las superficies de plástico

- ℹ No deposite aceites líquidos o alimentos aceitosos en recipientes no cerrados ya que dañarán las superficies de plástico de su frigorífico. En caso de derrame de aceite sobre las superficies de plástico, limpie y enjuague con agua caliente la parte afectada de inmediato.

7 Sugerencias para la solución de problemas

Le rogamos compruebe la siguiente lista antes de llamar al servicio técnico. Ello puede ayudarle a ahorrar tiempo y dinero. Esta lista incluye problemas frecuentes no achacables a defectos en materiales o manufactura. Es posible que algunas de las características mencionadas no estén presentes en su producto.

El refrigerador no funciona
<ul style="list-style-type: none">• ¿Está el frigorífico correctamente enchufado? Inserte el enchufe en la toma de corriente.• ¿Están fundidos el fusible principal o el fusible del enchufe al cual ha conectado el frigorífico? Revise los fusibles.
Condensación en la pared lateral del compartimento refrigerador. (MULTI ZONE, COOL CONTROL y FLEXI ZONE)
<ul style="list-style-type: none">• Condiciones ambientales muy frías. Frecuente apertura y cierre de la puerta. Nivel alto de humedad ambiental. Almacenamiento de alimentos que contienen líquidos en recipientes abiertos. Dejar la puerta entreabierta.• Ponga el termostato a una temperatura más baja.• Deje la puerta abierta durante menos tiempo o ábrala con menor frecuencia.• Cubra los alimentos almacenados en recipientes abiertos con un material adecuado.• Enjugue el agua condensada con un paño seco y compruebe si la condensación persiste.
El compresor no funciona
<ul style="list-style-type: none">• El dispositivo térmico protector del compresor saltará en caso de un corte súbito de energía o de idas y venidas de la corriente, ya que la presión del refrigerante en el sistema de enfriamiento aún no se ha estabilizado.• Su frigorífico se pondrá en marcha transcurridos unos 6 minutos. Llame al servicio técnico si su frigorífico no se pone en marcha transcurrido ese periodo.• El frigorífico se encuentra en el ciclo de descongelación. Esto es normal en un frigorífico con descongelación automática. El ciclo de descongelación se produce de forma periódica.• El frigorífico no está enchufado. Compruebe que el enchufe esté firmemente insertado en la toma de corriente.• ¿Está la temperatura correctamente fijada? Hay un corte del fluido eléctrico. Llame a su electricista.

El frigorífico está en funcionamiento con frecuencia o durante periodos prolongados.

- Puede que su nuevo frigorífico sea más grande que el que tenía anteriormente. Esto es perfectamente normal. Los frigoríficos de mayor tamaño funcionan durante más tiempo.
- Es posible que la temperatura ambiente de la estancia sea más alta. Esto es perfectamente normal.
- Es posible que haya enchufado el frigorífico o bien lo haya cargado de alimentos recientemente. Puede que el frigorífico tarde unas dos horas en enfriarse por completo.
- Es posible que recientemente haya depositado grandes cantidades de alimentos en el frigorífico. Los alimentos calientes pueden ocasionar que el frigorífico trabaje durante más tiempo hasta alcanzar la temperatura de almacenamiento seguro.
- Es posible que las puertas se hayan abierto con frecuencia o que se hayan dejado entreabiertas por un tiempo prolongado. El aire caliente que ha penetrado en el frigorífico hace que éste funcione durante más tiempo. Abra las puertas con menos frecuencia.
- Es posible que la puerta del compartimento frigorífico o congelador se haya dejado entreabierta. Compruebe que las puertas estén bien cerradas.
- El frigorífico está ajustado a una temperatura muy baja. Ajuste la temperatura del frigorífico a un valor más alto y espere a que se alcance dicha temperatura.
- La junta de la puerta del compartimento frigorífico o congelador puede estar sucia, desgastada, rota o no asentada correctamente. Limpie o sustituya la junta. Una junta rota o dañada hace que el frigorífico funcione durante más tiempo con el fin de mantener la temperatura actual.

La temperatura del congelador es muy baja, mientras que la del frigorífico es correcta.

- La temperatura del congelador está ajustada a un valor muy bajo. Ajuste la temperatura del congelador a un valor más elevado y compruebe.

La temperatura del frigorífico es muy baja, mientras que la del congelador es correcta.

- La temperatura del compartimento frigorífico está ajustada a un valor muy bajo. Ajuste la temperatura del frigorífico a un valor más elevado y compruebe.

Los alimentos depositados en los cajones del compartimento frigorífico se están congelando.

- La temperatura del compartimento frigorífico está ajustada a un valor muy bajo. Ajuste la temperatura del frigorífico a un valor más elevado y compruebe.

La temperatura del congelador o el frigorífico es muy alta.
<ul style="list-style-type: none"> • La temperatura del frigorífico está ajustada a un valor muy alto. El ajuste de la temperatura del frigorífico afecta a la temperatura del congelador. Cambie la temperatura del frigorífico o del congelador hasta que alcance un nivel suficiente. • Es posible que la puerta se haya quedado entreabierta. Cierre la puerta del todo. • Es posible que recientemente haya depositado grandes cantidades de alimentos en el frigorífico. Espere hasta que el frigorífico o el congelador alcance la temperatura deseada. • Es posible que el frigorífico haya sido enchufado recientemente. El enfriamiento completo del frigorífico lleva un tiempo debido a su tamaño.
Puede escucharse un sonido parecido al tic tac de un reloj saliendo del frigorífico.
<ul style="list-style-type: none"> • Este ruido procede de la electroválvula del frigorífico. La electroválvula garantiza el flujo de líquido refrigerante a través del compartimento, que puede ajustarse a temperaturas de enfriamiento o congelación así como llevar a cabo funciones de refrigeración. Esto es perfectamente normal y no es ninguna anomalía.
El nivel de ruidos propios del funcionamiento se incrementa cuando el frigorífico está en marcha.
<ul style="list-style-type: none"> • Las características de rendimiento del frigorífico pueden cambiar en función de las variaciones en la temperatura ambiente. Esto es perfectamente normal, no es ninguna avería.
Vibraciones o ruidos.
<ul style="list-style-type: none"> • El suelo no está nivelado ni es firme. El frigorífico oscila al moverlo lentamente. Compruebe que el suelo esté nivelado y sea firme y capaz de soportar el peso del frigorífico. • El ruido puede deberse a los elementos guardados en el frigorífico. Tales objetos deben retirarse de la parte superior del frigorífico.
Pueden oírse ruidos como si un líquido se derramara o se pulverizara.
<ul style="list-style-type: none"> • Los líquidos y gases fluyen de acuerdo con los principios de funcionamiento del frigorífico. Esto es perfectamente normal, no es ninguna avería.
Puede oírse un ruido parecido al viento.
<ul style="list-style-type: none"> • Se utilizan ventiladores con el fin de hacer que el frigorífico se enfríe con eficiencia. Esto es perfectamente normal, no es ninguna avería.

Condensación en las paredes interiores del frigorífico.
<ul style="list-style-type: none"> • El tiempo cálido y húmedo favorece la formación de hielo y la condensación. Esto es perfectamente normal, no es ninguna avería. • Las puertas están entreabiertas. Asegúrese de que las puertas estén completamente cerradas. • Es posible que las puertas se hayan estado abriendo con frecuencia o que se hayan dejado abiertas durante un periodo prolongado. Abra las puertas con menor frecuencia.
Hay humedad en el exterior del frigorífico o entre las puertas.
<ul style="list-style-type: none"> • Puede que haya humedad ambiental. Esto es perfectamente normal en climas húmedos. Cuando el grado de humedad descienda, la condensación desaparecerá.
Mal olor en el interior del frigorífico.
<ul style="list-style-type: none"> • El interior del frigorífico debe limpiarse. Limpie el interior del frigorífico con una esponja empapada en agua caliente o agua con gas. • Es posible que el olor provenga de algún recipiente o envoltorio. Utilice otro recipiente o materiales para envolver de una marca diferente.
La puerta (o puertas) no se cierra.
<ul style="list-style-type: none"> • Puede que los paquetes de alimentos depositados no dejen que las puertas se cierren. Recolecte los paquetes que estén obstruyendo la puerta. • Es probable que el frigorífico no esté en posición completamente vertical sobre el suelo y que oscile si se lo mueve ligeramente. Ajuste los tornillos de elevación. • El suelo no está nivelado o no es firme. Compruebe que el suelo esté nivelado y que sea capaz de soportar el peso del frigorífico.
Los cajones están atascados.
<ul style="list-style-type: none"> • Es posible que algún alimento toque el techo del cajón. Cambie la distribución de los alimentos en el cajón.

EXENCIÓN DE RESPONSABILIDADES / ADVERTENCIA

Es posible que algunas fallas (simples) sean tratadas de manera adecuada por el usuario final sin que se plantee ningún problema de seguridad o uso no seguro, siempre y cuando se lleven a cabo dentro de los límites y de conformidad con las siguientes instrucciones (véase la sección "Autorreparación").

En consecuencia, siempre y cuando no se autorice lo contrario en la sección "Autorreparación" que se encuentra a continuación, las reparaciones deben ser dirigidas a los reparadores profesionales registrados para evitar problemas de seguridad. Se considera un reparador profesional registrado el que ha tenido acceso a las instrucciones y a la lista de piezas de repuesto de este producto por parte del fabricante de acuerdo con los métodos descritos en los actos legislativos en virtud de la Directiva 2009/125/CE.

No obstante, según las condiciones de la garantía, sólo el agente de servicio (por ejemplo, los reparadores profesionales autorizados) al que puede llamar utilizando el número de teléfono que figura en el manual de usuario/tarjeta de garantía o bien a través de su distribuidor autorizado puede prestar servicio. Por consiguiente, por favor, tenga en cuenta que las reparaciones realizadas por reparadores profesionales (no autorizados por Beko) anularán la garantía.

Autorreparación

El usuario final puede realizar la reparación por su cuenta con respecto a las siguientes piezas de repuesto: manijas de puertas, bisagras de puertas, bandejas, cestas y juntas de puertas (una lista actualizada también estará disponible en support.beko.com a partir del 1 de Marzo de 2021).

Por otra parte, con el fin de garantizar la seguridad del producto y prevenir el riesgo de lesiones graves, la autorreparación citada se llevará a cabo siguiendo las instrucciones del manual de usuario para la autorreparación o las que están disponibles en support.beko.com. Para su seguridad, desenchufe el producto antes de intentar cualquier autorreparación.

La reparación y los intentos de reparación por parte de los usuarios finales de piezas no incluidas en dicha lista y/o no seguir las instrucciones contenidas en los manuales de usuario para la autorreparación o que están disponibles en support.beko.com, podrían causar problemas de seguridad no atribuibles a Beko, y anularían la garantía del producto.

Por ello, es muy recomendable que los usuarios finales se abstengan de intentar realizar las reparaciones que estén fuera de la lista de piezas de repuesto mencionada, comunicándose en tales casos con los reparadores profesionales autorizados o con los reparadores profesionales registrados. Al contrario, dichos intentos por parte de los usuarios finales pueden provocar problemas de seguridad y dañar el producto y, en consecuencia, provocar incendios, inundaciones, electrocución y lesiones personales graves.

Con carácter ejemplar, pero no limitado a ello, las siguientes reparaciones deben dirigirse a los autorizados reparadores profesionales o reparadores profesionales registrados: compresor, circuito de refrigeración, placa principal, tablero del inversor, tablero de la pantalla, etc.

En caso de que los usuarios finales no cumplan con lo anterior, el fabricante/vendedor no podrá ser considerado responsable.

La disponibilidad de piezas de repuesto del refrigerador que ha adquirido es de 10 años.

Durante este período, las piezas de repuesto originales estarán disponibles para el funcionamiento apropiado del refrigerador.

La duración mínima de la garantía del refrigerador que ha comprado es de 24 meses.

Por favor, leia primeiro este manual!

Caro cliente,

Esperamos que o seu produto, que foi produzido em modernas instalações e testado através de rigorosos controlos de qualidade, ofereça-lhe um serviço efectivo.

Para isso, recomendamos que leia cuidadosa e inteiramente o manual do seu produto antes de utilizá-lo e guarde-o para futuras consultas.

Este manual

- Ajudá-lo-á a utilizar o seu equipamento de forma rápida e segura.
- Leia o manual antes de instalar e operar o seu equipamento.
- Siga as instruções, especialmente as relativas à segurança.
- Guarde o manual num local acessível, já que poderá precisar dele mais tarde.
- Além disso, leia também os outros documentos fornecidos com o seu produto.

Observe que este manual também pode ser válido para outros modelos.






Os símbolos e as suas descrições

Este manual de instruções contém os seguintes símbolos:

 Informações importantes ou dicas úteis de utilização.

 Aviso sobre as condições de risco para a vida e a propriedade.

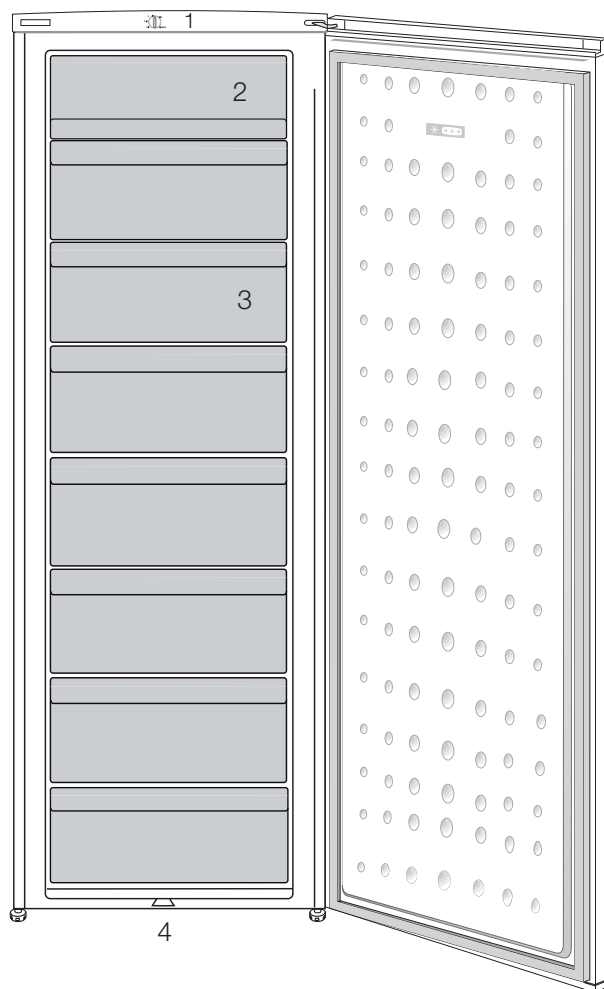
 Aviso sobre a voltagem eléctrica.

 INFORMAÇÃO	
 SUPPLIER'S NAME 	 MODEL IDENTIFIER → (*) 
A informação do modelo conforme memorizada na base de dados do produto pode ser acedida entrando no seguinte sítio web e através da busca do identificador do seu modelo (*) que se encontra na etiqueta de classificação energética. https://eprel.ec.europa.eu/	

CONTEÚDO

1 O seu frigorífico	3	4 Preparação	15
2 Avisos importantes de segurança	4	5 Utilizar o seu frigorífico	17
Uso pretendido.....	4	Ajuste da temperatura de funcionamento.....	17
Para produtos com um dispensador de água;.....	8	Botão do termóstato	18
Segurança com crianças.....	9	Congelar	18
Conformidade com a Directiva WEEE e Eliminação de Resíduos:	9	Como congelar Alimentos frescos	20
Cumprimento com a Directiva RoHS:	9	Recomendações para Conservação dos Alimentos congelados.....	21
Informação sobre a embalagem.....	9	Descongelar.....	22
Aviso HC.....	9	Congelador Intensa Informação.....	22
O que se pode fazer para economizar energia.....	10	Descongelar alimentos congelados	22
		Definições recomendadas de temperatura	22
3 Instalação	11	6 Manutenção e limpeza	25
Pontos a serem considerados ao transportar novamente o seu frigorífico	11	Protecção das superfícies plásticas	25
Antes de funcionar o seu frigorífico	11	7 Soluções recomendadas para os problemas	26
Ligação eléctrica.....	12		
Eliminação da embalagem.....	12		
Eliminação do seu frigorífico velho..	12		
Colocação e instalação.....	12		
Ajuste dos pés	13		
Inverter as portas	14		

1 O seu frigorífico



1. Painel de controlo
2. Porta basculante (Compartimento de congelação rápida)
3. Gavetas
4. Pés frontais ajustáveis





i As figuras que aparecem neste manual de instruções são esquemáticas e podem não corresponder exactamente ao seu produto. Se as partes referidas não estiverem incluídas no produto que adquiriu, é porque são válidas para outros modelos.

2 Avisos importantes de segurança

Por favor, reveja as informações seguintes. A não-observância destas informações pode causar ferimentos ou danos ao material. Caso contrário, todas as garantias e compromissos de fiabilidade tornar-se-ão inválidos.

As peças sobressalentes originais serão fornecidas durante 10 anos a partir da data da compra.

Uso pretendido

	AVISO: Manter as aberturas de ventilação, na caixa de proteção do aparelho ou na estrutura embutida, sem obstruções.
	AVISO: Não usar dispositivos mecânicos nem outros meios para acelerar o processo de descongelação, exceto os recomendados pelo fabricante.
	AVISO: Não danificar o circuito de refrigeração.
	AVISO: Não usar aparelhos eléctricos no interior dos compartimentos de armazenamento de alimentos do aparelho, a menos que sejam do tipo recomendado pelo fabricante.

Este aparelho é destinado a ser usado em uso doméstico e aplicações similares como

- zonas de cozinha em estabelecimentos comerciais, escritórios ou outros ambientes laborais;
- casas rurais e pelos clientes em hotéis, motéis e outros ambientes de tipo residencial;
- ambientes de tipo alojamento e pequeno almoço;
- utilizações de refeições e outros não-retalhistas similares.

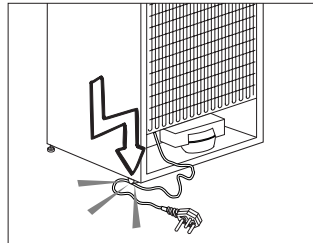
Segurança geral

- Quando quiser eliminar/ desfazer-se do produto, recomendamos que consulte o serviço de assistência e os órgãos autorizados para obter mais informações.
- Consulte o seu serviço de assistência autorizado para todas as questões e problemas relativos ao frigorífico. Não tente reparar e nem permita que ninguém o faça sem notificar os serviços de assistência autorizados.
- Para produtos com um compartimento de congelador; Não coma cones de gelados e cubos de gelo imediatamente após retirá-los do compartimento do congelador! (Isto pode provocar queimaduras de frio na sua boca).

- Para produtos com compartimento de congelador; Não coloque bebidas líquidas enlatadas ou engarrafadas no compartimento do congelador. Caso contrário, podem rebentar.
- Não toque nos alimentos congelados; podem ficar presos à sua mão.
- Desligue o seu frigorífico da tomada antes da limpeza ou descongelação.
- O vapor e materiais de limpeza vaporizados nunca deverão ser utilizados nos processos de limpeza e descongelação do seu frigorífico. Em tais casos, o vapor poderá entrar em contacto com as partes eléctricas e provocar curto-circuito ou choque eléctrico.
- Nunca use as partes do seu frigorífico, tal como a porta, como meios de apoio ou degrau.
- Não utilize dispositivos eléctricos dentro do frigorífico.
- Não danifique as partes por onde circula a refrigeração, com ferramentas perfurantes ou cortantes. O refrigerante que pode explodir quando os canais de gás do evaporador, as extensões do tubo ou os revestimentos da superfície são perfurados, causa irritações na pele ou ferimentos nos olhos.
- Não cubra ou bloqueie os orifícios de ventilação do seu frigorífico com nenhum tipo de material.
- Os dispositivos eléctricos só devem ser reparados por pessoas autorizadas. As reparações realizadas por pessoas incompetentes causam riscos ao utilizador.
- Em caso de qualquer falha quer durante uma manutenção ou num trabalho de reparação, desligue a alimentação eléctrica do seu frigorífico, desligando o fusível correspondente ou retirando a ficha da tomada.
- Não puxe pelo cabo quando for retirar a ficha da tomada.
- Assegure-se de que bebidas fortemente alcoólicas são guardadas de forma segura com a tampa apertada e colocadas na vertical .
- Nunca guarde latas de aerossol inflamáveis e substâncias explosivas no frigorífico.
- Não utilize dispositivos mecânicos ou outros para acelerar o processo de descongelação. Siga apenas as instruções recomendadas pelo fabricante.
- Este produto não se destina a ser usado por pessoas com incapacidades físicas, sensoriais ou mentais ou sem conhecimento ou experiência (incluindo crianças), a menos que sejam supervisionadas por alguém responsável pela sua segurança ou que as instrua sobre o uso do produto.

- Não utilize um frigorífico avariado. Consulte o agente autorizado se tiver qualquer questão.
- A segurança eléctrica do seu frigorífico apenas poderá ser garantida se o sistema de ligação à terra da sua casa estiver em conformidade com as normas.
- A exposição do produto à chuva, neve, sol e vento é perigosa no que toca à segurança eléctrica.
- Para evitar qualquer perigo, contacte o serviço autorizado se o cabo eléctrico estiver danificado.
- Nunca ligue o frigorífico à tomada de parede durante a instalação. Caso contrário, poderá ocorrer perigo de morte ou ferimentos graves.
- Este frigorífico foi concebido unicamente para guardar alimentos. Não deverá ser utilizado para quaisquer outros fins.
- A etiqueta das especificações técnicas está localizada na parede esquerda no interior do frigorífico.
- Nunca ligue o seu frigorífico a sistemas de poupança de electricidade, pois podem danificá-lo.
- Se houver uma luz azul no frigorífico, não olhe para ela a olho nu ou com ferramentas ópticas durante muito tempo.

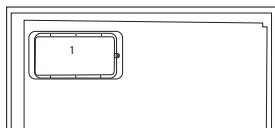
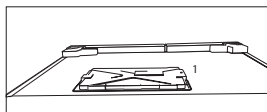
- Para frigoríficos controlados manualmente, aguarde pelo menos 5 minutos para voltar a ligá-lo após uma falha eléctrica.
- Este manual de instruções deverá ser entregue ao novo proprietário do produto quando for dado/vendido a outros.
- Evite causar danos ao cabo eléctrico quando transportar o frigorífico. Dobrar o cabo pode causar incêndio. Nunca pouse objectos pesados no cabo eléctrico. Não toque na ficha com as mãos molhadas quando a introduz na tomada para ligar o produto.



- Ao instalar o eletrodoméstico, certifique-se de que o cabo de alimentação não fica entalado nem danificado.
- Não coloque tomadas múltiplas nem fontes de alimentação portáteis junto à parte traseira do eletrodoméstico.
- As crianças com idade entre 3 e 8 anos podem colocar e retirar cargas de aparelhos de refrigeração.

- Para evitar a contaminação dos alimentos, respeite as instruções a seguir apresentadas:
- – abrir a porta durante longos períodos de tempo pode causar um aumento de temperatura significativo nos compartimentos do aparelho;
- – limpe regularmente as superfícies que podem entrar em contacto com alimentos, assim como os sistemas de drenagem acessíveis;
- – limpe os reservatórios de água se não forem utilizados durante 48 horas; lave o sistema de ligação ao fornecimento
- de água, se não tiver sido extraída água durante 5 dias;
- – armazene carne e peixe crus em recipientes adequados, no frigorífico, para que não entrem em contacto ou pinguem para os outros alimentos;
- – os compartimentos para congelação de alimentos de duas estrelas são adequados para armazenar alimentos pré-congelados, armazenar ou fazer gelados e fazer cubos de gelo;
- – os compartimentos de uma, duas e três estrelas não são adequados para congelar alimentos frescos;
- – se o aparelho de refrigeração ficar vazio durante longos períodos de tempo, desligue, descongele, limpe, seque e deixe a porta aberta para evitar a formação de bolor no interior do aparelho.
- Não ligue o frigorífico à tomada, se a tomada de parede estiver solta.
- Não deverá ser vaporizado directamente nas partes interiores ou interiores do produto devido a razões de segurança.
- Para evitar risco de incêndio e explosão, não vaporize substâncias que contenham gases inflamáveis, tais como gás propano, etc., próximo ao frigorífico.
- Não coloque recipientes que contenham água sobre o topo do frigorífico, visto que tal poderá resultar em choque eléctrico ou incêndio.
- Não sobrecarregue o frigorífico com excesso de alimentos. Se sobrecarregado, os alimentos podem cair e feri-lo a si e danificar o frigorífico ao abrir a porta. Nunca coloque objectos no topo do frigorífico, visto que estes podem cair quando se abre ou fecha a porta do frigorífico.
- Como precisam de um controlo de temperatura exacta, as vacinas, medicamentos sensíveis ao aquecimento, materiais científicos, etc., não deverão ser guardados no frigorífico.

- Se não for utilizado por um longo tempo, o frigorífico deve ser desligado da tomada. Qualquer problema possível no cabo eléctrico poderá resultar em incêndio.
- O frigorífico pode mover-se se os pés não estiverem devidamente fixados ao piso. O ajuste seguro e apropriado dos pés ao piso pode impedir o frigorífico se mova.
- Ao transportar o frigorífico, não segure pelo puxador da porta. Caso contrário, pode quebrar.
- Se posicionar o seu frigorífico próximo de outro frigorífico ou arca frigorífica, a distância entre os dispositivos deve ser de pelo menos 8 cm. Caso contrário, as paredes laterais adjacentes podem humedecer.
- Nunca usar o produto se a secção localizada na parte superior ou traseira do seu produto com placas de circuitos impressos electrónicos no interior estiver aberta (tampa da placa de circuito electrónico impresso) (1).



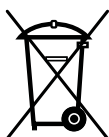
Para produtos com um dispensador de água;

- A pressão para a entrada de água fria deve ser no máximo de 90 psi (620 kPa). Se a sua pressão de água exceder 80 psi 550 kPa, utilize uma válvula limitadora de pressão no seu sistema de alimentação. Se não sabe como verificar a sua pressão de água, deve solicitar a ajuda de um canalizador profissional.
- Se existir o risco de o golpe de ariete afetar a sua instalação, deve utilizar sempre um equipamento de prevenção do golpe de ariete na sua instalação. Deve consultar os canalizadores profissionais se não tiver a certeza se existe o efeito de golpe de ariete na sua instalação.
- Não instalar na entrada de água quente. Deve tomar precauções relativamente ao risco de congelamento nas tubagens. O intervalo de funcionamento de temperatura da água deve ser 33°F (0,6°C) de mínimo e 100°F (38°C) de máximo.
- Use apenas água potável.

Segurança com crianças

- Se a porta possuir uma fechadura, a chave deverá ser mantida afastada do alcance das crianças.
- As crianças devem ser vigiadas para impedir que brinquem com o produto.

Conformidade com a Directiva WEEE e Eliminação de Resíduos:



Este produto está em conformidade com a Directiva WEEE da UE (2012/19/EU). Este produto porta um símbolo de classificação para resíduos de equipamentos eléctricos e electrónicos (WEEE).

Este produto foi fabricado com materiais e peças de alta qualidade, que podem ser reutilizados e reciclados. No fim da sua vida útil, não elimine o resíduo com o lixo doméstico normal ou outro lixo. Leve-o a um centro de recolha para reciclagem de equipamentos eléctricos e electrónicos. Consulte as autoridades locais para se informar sobre estes centros de recolha.

Cumprimento com a Directiva RoHS:

O produto que adquiriu está em conformidade com a Directiva RoHS da UE (2011/65/EU). Ele não contém materiais perigosos e proibidos especificados na Directiva.

Informação sobre a embalagem

Os materiais de embalagem do produto são fabricados a partir de materiais recicláveis, de acordo com as nossas Normas Ambientais Nacionais. Não elimine os materiais de embalagem junto com o lixo doméstico ou outro tipo de lixo. Encaminhe-os a um ponto de recolha de materiais de embalagem indicado pelas autoridades locais.

Aviso HC

O sistema de arrefecimento do seu produto contém R600a:

Este gás é inflamável. Por isso, tenha cuidado em não danificar o sistema de arrefecimento e a tubagem durante o uso e transporte. No caso de algum dano, mantenha o seu produto longe de potenciais fontes de fogo que possam fazer com que o produto de incendeie e ventile o compartimento no qual a unidade está colocada.

Ignore este aviso se o sistema de arrefecimento do seu produto contiver R134a:

O tipo de gás usado no produto está indicado na placa de características localizada na parede esquerda no interior do frigorífico.

Nunca elimine o seu produto no fogo.

- Descongelar os alimentos congelados no compartimento do frigorífico poupará energia e preservará a qualidade dos alimentos.

O que se pode fazer para economizar energia

- Não deixe as portas do seu frigorífico abertas durante muito tempo.
- Não coloque alimentos ou bebidas quentes no seu frigorífico.
- Não sobrecarregue o seu frigorífico para que a circulação do ar no interior não seja dificultada.
- Não instale o seu frigorífico sob a luz solar directa ou próximo de aparelhos que emitem calor tais como fornos, máquinas de lavar louça ou radiadores.
- Tenha cuidado em manter os seus alimentos em recipientes fechados.
- Para produtos com um compartimento de congelador; Pode armazenar uma quantidade máxima de alimentos no congelador se remover a prateleira ou gaveta do congelador. O valor do consumo de energia indicado no seu frigorífico foi determinado removendo a prateleira do congelador ou a gaveta e com carga máxima. Não existe qualquer risco em utilizar uma prateleira ou gaveta de acordo com as formas e tamanhos dos alimentos a serem congelados.

3 Instalação

- ⚠ Por favor, lembre-se de que o fabricante não pode ser responsabilizado se não forem observadas as informações fornecidas no manual de instruções.

Pontos a serem considerados ao transportar novamente o seu frigorífico

1. O seu frigorífico deve ser esvaziado e limpo antes de ser transportado.
2. As prateleiras, acessórios, gaveta para frutas e legumes, etc. do seu frigorífico devem ser firmemente presos com fita adesiva, devido aos solavancos antes de voltar a empacotá-lo.
3. A embalagem deve ser amarrada com fitas grossas e cordas fortes e devem ser seguidas as normas de transporte indicadas na mesma.

Não se esqueça...

Todo material reciclado é uma fonte indispensável para a natureza e para os nossos recursos nacionais.

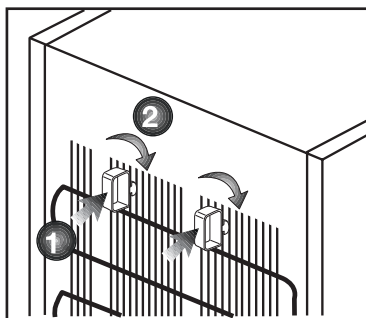
Se quiser contribuir para a reciclagem dos materiais da embalagem, pode obter mais informações nos organismos relativos ao ambiente ou junto das autoridades locais.

Antes de funcionar o seu frigorífico

Antes de iniciar a utilização do seu frigorífico, verifique o seguinte:

1. O interior do frigorífico está seco e o ar pode circular livremente na sua parte traseira?

2. Introduza os 2 calços plásticos na ventilação traseira, conforme mostrado na figura seguinte. Os calços plásticos proporcionarão a distância necessária entre o seu frigorífico e a parede, permitindo assim a livre circulação do ar.



3. Limpe o interior do frigorífico conforme recomendado na secção "Manutenção e limpeza".
4. Ligue o frigorífico à tomada eléctrica. A luz interior acender-se-á quando a porta do frigorífico for aberta.
5. Ouvirá um ruído quando o compressor começar a trabalhar. O líquido e os gases no interior do sistema de refrigeração também podem fazer algum ruído, mesmo que o compressor não esteja a funcionar, o que é perfeitamente normal.
6. As arestas da frente do frigorífico podem ficar quentes. Isto é normal. Estas arestas são projectadas para ficarem quentes, a fim de evitar a condensação.

Ligação eléctrica

Ligue o seu produto a uma tomada de terra, que esteja protegida por um fusível com a capacidade apropriada. Importante:

- A ligação deve estar em concordância com os regulamentos nacionais.
- A ficha do cabo de alimentação deve estar facilmente acessível após a instalação.
- A voltagem especificada deve ser igual à sua voltagem eléctrica.
- Não devem ser usados cabos de extensão e fichas multiusos para a ligação.

⚠ Um cabo de alimentação danificado deve ser substituído por um electricista qualificado.

⚠ O produto não deve ser utilizado antes de ser reparado! Há risco de choque eléctrico!

Eliminação da embalagem

Os materiais de embalagem podem ser perigosos para as crianças. Guarde os materiais da embalagem fora do alcance das crianças ou elimine-os, classificando-os de acordo com as instruções sobre o lixo. Não os elimine juntamente com o lixo doméstico normal.

A embalagem do seu frigorífico é produzida com materiais recicláveis.

Eliminação do seu frigorífico velho

Elimine o seu frigorífico velho sem causar qualquer perigo ao meio ambiente.

- Pode consultar o seu revendedor autorizado ou o centro de recolha do lixo do seu município a respeito da eliminação do seu frigorífico.

Antes de se desfazer do seu frigorífico, corte a ficha eléctrica e, se houver trincos nas portas, deixe-os inutilizados, a fim de proteger as crianças contra qualquer perigo.

Colocação e instalação

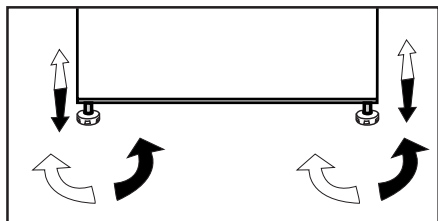
⚠ Se a porta de entrada do compartimento onde o frigorífico será instalado não for o suficientemente larga para que ele passe, chame o serviço de assistência autorizado para que possam remover as portas do seu frigorífico e passá-lo de forma inclinada através da porta.

1. Instale o seu frigorífico num local que permita fácil acesso.
2. Mantenha o seu frigorífico longe das fontes de calor, lugares húmidos e luz solar directa.
3. Deve existir uma circulação de ar adequada à volta do seu frigorífico, para que obtenha um funcionamento eficiente. Se o frigorífico for colocado numa reentrância da parede, deve haver uma distância mínima de 5cm do tecto e, pelo menos, 5 cm da parede. Se o piso for coberto por alcatifa, o seu produto deve ter uma elevação de 2,5 cm do chão.
4. Coloque o seu frigorífico num pavimento uniforme para evitar solavancos.

Ajuste dos pés

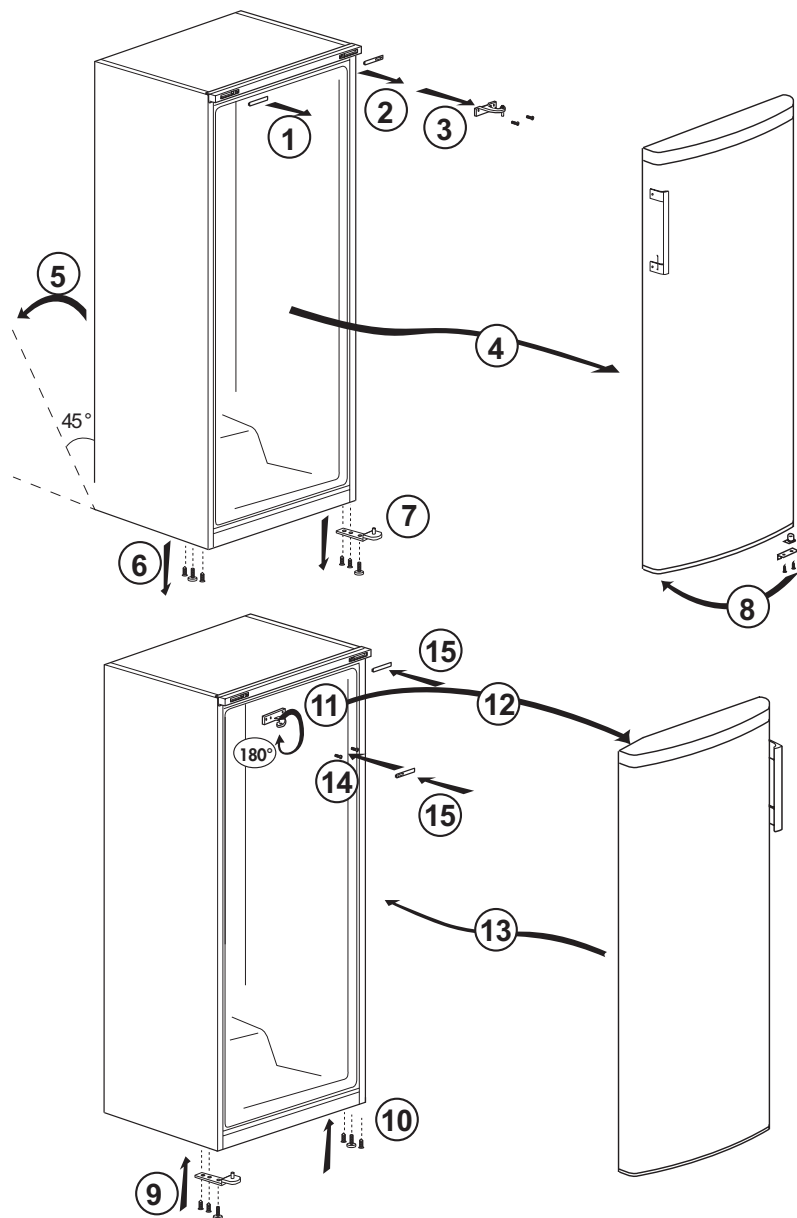
Se o seu frigorífico estiver desnivelado;

Pode equilibrar o seu frigorífico, rodando os seus pés frontais conforme ilustrado na figura. O canto onde está o pé é baixado quando roda na direcção da seta preta e levantado quando roda na direcção oposta. Peça ajuda a alguém para erguer ligeiramente o frigorífico, facilitará este processo.



Inverter as portas

Proceda em ordem numérica.



4 Preparação

- Para um aparelho de instalação independente: "este frigorífico não se destina a ser usado como um aparelho de encastrar.
- O seu frigorífico deverá ser instalado a uma distância mínima de 30 cm de quaisquer fontes de calor, tais como placas, fornos, aquecimento central e fogões e de 5 cm de fornos eléctricos e não deverá ficar exposto directamente à luz solar.
- Certifique-se de que o interior do seu frigorífico esteja completamente limpo.
- Se forem instalados dois frigoríficos lado a lado, deverá existir uma distância mínima de 2 cm entre eles.
- Quando utilizar o seu frigorífico pela primeira vez, por favor, observe as seguintes instruções durante as seis horas iniciais.
- A porta não deverá ser aberta frequentemente.
- Deve começar a funcionar vazio, sem alimentos no interior.
- Não retire a ficha da tomada do seu frigorífico. Se houver uma falha de energia inesperada, por favor consulte os avisos na secção "Soluções recomendadas para os problemas".
- A embalagem original e os materiais de esponja deverão ser guardados para transportes ou deslocações futuras.
- Este equipamento foi concebido para funcionar nas temperaturas especificadas na tabela abaixo e está equipado com o Advanced Electronic Temperature Control System [AETCS] (Sistema de controlo da temperatura electrónico avançado), que assegura que a definição recomendada [4 - quatro no botão] não descongelará os alimentos congelados no congelador, mesmo que a temperatura ambiente desça para menos de -15 °C. Ao ser instalado pela primeira vez, o produto NÃO DEVERÁ ser colocado em locais com baixa temperatura porque o congelador não baixará para a sua temperatura padrão de funcionamento. Quando tiver alcançado um estado de funcionamento estável, pode ser reposicionado. Assim, poderá depois instalar o seu equipamento numa garagem ou compartimento sem aquecimento, sem ter que se preocupar se os alimentos congelados que estão no congelador se estão a deteriorar. Contudo, nos ambientes de baixas temperaturas mencionados acima, os conteúdos do frigorífico podem congelar, por isso, verifique e consuma os alimentos do frigorífico atempadamente. Quando a temperatura ambiente voltar ao normal, poderá alterar a definição do botão conforme as suas necessidades.
- Se a temperatura ambiente estiver abaixo dos 0°C, os alimentos no compartimento do frigorífico

congelarão. Por isso, recomendamos que não use o compartimento do frigorífico em condições de temperatura ambiente muito baixa. Pode continuar a usar o compartimento do congelador como de costume.

- Nalguns modelos, o painel de instrumentos desliga-se automaticamente 5 minutos depois da porta ter sido fechada. Será reactivado quando a porta for aberta ou quando for premida qualquer tecla.
- Devido a mudanças de temperatura, em consequência da abertura/fecho da porta do produto durante o funcionamento, é normal que se produza condensação na porta/prateleiras e recipientes de vidro da estrutura.
- Já que o ar quente e húmido produto enquanto as portas não estiverem abertas, o seu produto irá otimizar-se por si próprio para possuir condições suficientes para proteger os seus alimentos. As funções e os componentes como o compressor, a ventoinha, o aquecedor, o descongelador, a iluminação, o visor, entre outros, funcionarão de acordo com as necessidades para o consumo mínimo de energia nestas circunstâncias.

5 Utilizar o seu frigorífico

Ajuste da temperatura de funcionamento



A temperatura de funcionamento é regulada pelo respetivo controlo.

1 = Definição de arrefecimento mais baixa (Definição mais quente)

4 = Definição de arrefecimento mais elevada (Definição mais fria)

* Atividades adicionais da função de refrigeração rápida.

Escolha a definição de acordo com a temperatura pretendida.

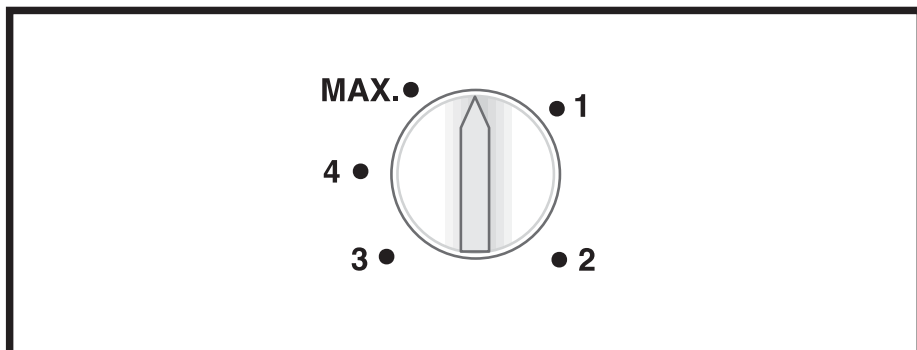
A temperatura inferior também depende da temperatura ambiente, da frequência com que a porta é aberta e da quantidade de alimentos mantidos no interior do equipamento.

A abertura frequente da porta faz subir a temperatura inferior.

Assim, recomendamos o fecho da porta o mais rapidamente possível após a utilização.

A temperatura normal de armazenamento do frigorífico deve ser de $-18\text{ }^{\circ}\text{C}$ ($0\text{ }^{\circ}\text{F}$). Podem ser obtidas temperaturas mais baixas regulando o termóstato para a Posição 4.

Recomendamos que verifique a temperatura com um termómetro, para garantir que os compartimentos de armazenamento se mantêm à temperatura pretendida. Deve verificar a temperatura muito rapidamente, porque a temperatura do termómetro subirá também muito rapidamente após ser retirado do congelador.



Botão do termóstato

O botão do termóstato está localizado na moldura superior.

Importante:

Quando premir o interruptor de congelação rápida ou ajustar a temperatura definida, pode ocorrer um pequeno atraso antes do compressor começar a trabalhar. Esta situação é normal e não uma falha do compressor.

Congelar

Congelar alimentos

Pode utilizar o equipamento para congelar alimentos frescos, bem como para guardar alimentos pré-congelados.

Consulte as recomendações fornecidas na embalagem do alimento.

- **Atenção**

Não congele bebidas gaseificadas já que a garrafa pode rebentar quando o líquido estiver congelado.

Tenha cuidado com os produtos congelados, como os cubos de gelo coloridos.

Não ultrapasse a capacidade de congelação do equipamento por um período superior a 24 horas. Consulte a placa de características.

Para manter a qualidade dos alimentos, o congelamento deve ser efetuado o mais rapidamente possível.

Assim, a capacidade de congelação não será excedida, e a temperatura no interior do congelador não aumentará.

- **Atenção**

Mantenha os alimentos já congelados sempre separados dos alimentos guardados frescos.

Quando congelar alimentos quentes, o compressor de arrefecimento funcionará até os alimentos estarem completamente congelados. Esta situação pode provocar, temporariamente, um arrefecimento excessivo do compartimento de refrigeração.

Se tiver dificuldade em abrir a porta do congelador, após ela ter sido aberta, não se preocupe. Esta situação deve-se à diferença de pressão de compensação. Após alguns minutos a porta abrir-se-á normalmente.

Ouvirá um som de vácuo logo após o fecho da porta. Esta situação é bastante normal.

- **Congelação rápida**

Se pretender congelar grandes quantidades de alimentos frescos, ajuste o botão de controlo para no máx. 24 horas antes de colocar os alimentos frescos no compartimento de congelação rápida.

Recomendamos fortemente que deixe o botão na posição MAX., pelo menos, 24 horas para congelar a quantidade máxima de alimentos frescos declarada como a capacidade de congelação. Tenha um cuidado especial para não misturar alimentos já congelados com alimentos frescos.

Lembre-se de rodar o botão do termóstato novamente para a sua posição anterior quando os alimentos tiverem congelado.

Para ativar a função congelar rápido, rode o botão para a posição MÁX. Cinquenta horas após a ativação da função congelar rápido, o aparelho muda automaticamente para a função normal. Se não houver a intenção de congelar novos alimentos frescos, não mude o botão para a posição MÁX. Se o botão for deixado

na posição MÁX., uma vez que o aparelho previamente retornou para condições normais de funcionamento, ative novamente a função Congelar Rápido ao mudar o botão da posição MÁX. e de volta para a mesma.

“Para o melhor desempenho de congelamento possível, os alimentos frescos a serem congelados devem ser colocados 24 horas após o início da função de congelamento rápido”.

Como congelar Alimentos frescos

- Os alimentos a serem congelados devem ser divididos em porções de acordo com o tamanho a ser consumido e congelados em embalagens separadas. Deste modo, deve ser evitado que os alimentos sejam congelados novamente quando descongelam.
- Para proteger ao máximo o valor nutricional, o aroma e a cor dos alimentos, os vegetais devem ser fervidos durante um curto período de tempo antes de serem congelados. (A fervura não é necessária para alimentos como o pepino, salsa.) O tempo de cozedura dos vegetais congelados é desta forma reduzido em 1/3 que o dos vegetais frescos.
- Para aumentar o tempo de armazenamento dos alimentos congelados, os vegetais cozidos devem primeiro ser filtrados e depois embalados hermeticamente como em todos os tipos de alimentos.
- Os alimentos não devem ser colocados no congelador sem estarem embalados.
- O material de embalagem dos alimentos a serem armazenados deve ser hermético, espesso e durável e não deve deformar com o frio e a humidade. Caso contrário, os alimentos endurecidos pelo congelamento podem furar a embalagem. Selar bem a embalagem também é importante em termos de armazenamento seguro dos alimentos.

Para congelar os alimentos são adequados os seguintes tipos de embalagem:

Saco de polietileno, folha de alumínio, folha de plástico, sacos de vácuo e recipientes de armazenamento resistentes ao frio com tampas.

Não é recomendado o uso dos seguintes tipos de embalagem para congelar os alimentos;

Papel para embalagens, papel vegetal, celofane (papel gelatina), saco de lixo, sacos usados e sacos de compras.

- Os alimentos quentes não devem ser colocados no congelador sem arrefecerem primeiro.
- Ao colocar alimentos frescos não congelados no congelador, assegurar que os mesmos não entram em contacto com alimentos congelados. O pacote de refrigeração (PCM) pode ser colocado na prateleira imediatamente abaixo da prateleira do congelamento rápida para evitar que aqueça.
- Durante o tempo de congelação (24 horas), não colocar outros alimentos no congelador.
- Colocar os alimentos nas prateleiras de congelação, espalhando-os para que não fiquem apertados (recomenda-se que as embalagens não entrem em contacto umas com as outras).
- Os alimentos congelados devem ser consumidos imediatamente, num curto período de tempo após o descongelamento e nunca devem ser congelados novamente.

- Não bloquear os orifícios de ventilação colocando os alimentos congelados na frente dos orifícios de ventilação localizados na superfície posterior.
- Recomendamos que cole uma etiqueta na embalagem e escreva o nome dos alimentos na embalagem e o tempo de congelação.

Alimentos adequados para congelar:

- Peixe e marisco, carnes vermelhas e brancas, aves, vegetais, frutas, especiarias herbáceas, laticínios (como queijo, manteiga e iogurte coado), tortas, pratos prontos ou cozidos, pratos de batata, suflê e sobremesas.

Alimentos não adequados para congelar:

- Iogurte, leite azedo, natas, maionese, salada de folhas, rabanete vermelho, uvas, todas as frutas (como maçã, pêra e pêsego).
- Para que os alimentos sejam congelados rápida e completamente, não devem ser excedidas as seguintes quantidades especificadas por pacote.

-Frutas e vegetais, 0,5-1 kg

-Carne, 1-1,5 kg

- Pode também ser congelada uma pequena quantidade de alimentos (máximo 2 kg) sem usar a função de congelação rápida.

Para obter o melhor resultado, aplicar as seguintes instruções:

1. Ativar a função de congelação rápida 24 horas antes de colocar os alimentos frescos.
2. 24 horas depois de premir o botão, colocar primeiro os alimentos que

pretende congelar na terceira gaveta da base com maior capacidade de congelação. Se ainda houver alimentos, colocá-los para na frente da segunda gaveta do fundo.

3. A função de congelação rápida será automaticamente cancelada após 50 horas.
 4. Não tente congelar grandes quantidades de alimentos de uma só vez. Em 24 horas, este produto pode congelar a quantidade máxima de alimentos especificada como «Capacidade de Congelamento... kg / 24 horas» na etiqueta de tipo. Não é conveniente colocar mais alimentos não congelados/frescos no congelador do que a quantidade especificada na etiqueta.
- Pode analisar as tabelas de Carnes e Peixes, Legumes e Frutas, Produtos Lácteos para colocar e armazenar os seus alimentos no congelador.

Recomendações para Conservação dos Alimentos congelados

- Ao comprar os seus alimentos congelados, assegurar que os mesmos estão congelados nas temperaturas adequadas e que as respetivas embalagens não estejam partidas.
- Colocar as embalagens no congelador o mais rápido possível após a compra.
- Assegurar que o prazo de validade indicado na embalagem não expirou antes de consumir as refeições prontas embaladas que retira do congelador.

Descongelar

O gelo existente nos compartimentos do congelador é automaticamente descongelado.

Congelador Intensa Informação

A norma EN 62552 exige (de acordo com condições de medição específicas) que pelo menos 4,5 kg de alimento para cada 100 litros de volume do compartimento do congelador podem ser congelados a uma temperatura ambiente de 25 °C em 24 horas.

Descongelar alimentos congelados

Dependendo da diversidade dos alimentos e da finalidade, pode ser feita uma seleção entre as seguintes opções de descongelação.

- À temperatura ambiente (não é muito adequado descongelar os alimentos deixando-os à temperatura ambiente durante muito tempo para manter a qualidade dos alimentos)

- No frigorífico
- No forno elétrico (nos modelos com ou sem ventilador)
- No microondas

CUIDADO:

- Nunca colocar bebidas ácidas em garrafas e latas de vidro no congelador devido ao risco de explosão.
- Se houver humidade e um aumento anormal na embalagem de alimentos congelados, é provável que os mesmos tenham sido armazenados anteriormente em condições inadequadas e o seu conteúdo esteja deteriorado. Não consuma estes alimentos sem verificar.
- Como alguns temperos em refeições cozidas podem mudar o sabor das mesmas quando expostas a condições de armazenamento de longo prazo, os alimentos congelados devem ser menos temperados ou os temperos desejados devem ser adicionados aos alimentos após o processo de descongelação.

Definições recomendadas de temperatura

Configuração do compartimento do congelador	Observações
-20 °C	Esta é uma definição predefinida recomendadas de temperatura.
-21, -22, -23 ou -24 °C	Estas configurações são recomendadas quando a temperatura ambiente for superior a 30 °C ou quando achar que o frigorífico não está frio o suficiente devido a aberturas e fechos frequentes da porta.
Congelação Rápida	Usar quando pretender congelar alimentos num curto espaço de tempo. É recomendado ser aplicado para preservar a qualidade dos alimentos frescos. Não precisa usar a função de congelação rápida ao colocar os seus alimentos congelados. Não é necessário usar a função de congelação rápida para congelar uma pequena quantidade de alimentos frescos, até 2 kg por dia.

Carne e Peixe		Preparação		Prazo mais longo de armazenamento (mês)
Produtos de carne	Vitela	Bife	Cortar os mesmos com 2 cm de espessura e colocar papel alumínio entre eles ou embrulhar firmemente com película aderente.	6 - 8
		Assado	Embalar os pedaços de carne num saco para congelador ou embrulhar firmemente com película aderente.	6 - 8
		Cubos	Em pedaços pequenos	6 - 8
		Schnitzel, costeletas	Colocar papel alumínio entre as fatias cortadas ou embrulhar individualmente com película aderente.	6 - 8
	Carneiro	Costeletas	Colocar papel alumínio entre os pedaços de carne ou embrulhar individualmente com película aderente.	4 - 8
		Assado	Embalar os pedaços de carne num saco para congelador ou embrulhar firmemente com película aderente.	4 - 8
		Cubos	Embalar a carne cortada num saco para congelador ou embrulhar firmemente com película aderente.	4 - 8
	Novilho	Assado	Embalar os pedaços de carne num saco para congelador ou embrulhar firmemente com película aderente.	8-12
		Bife	Cortar os mesmos com 2 cm de espessura e colocar papel alumínio entre eles ou embrulhar firmemente com película aderente.	8-12
		Cubos	Em pedaços pequenos	8-12
		C a r n e cozida	Embalar em pedaços pequenos num saco para congelação.	8-12
	Picada	Sem temperos, em sacos planos.	1 - 3	
	Miúdos (pedaço)	Em pedaços	1 - 3	
	Salsicha fermentada - Salame	Deve ser embalada mesmo que tenham um invólucro.	1-2	
Presunto	Colocar película aderente entre as fatias cortadas	2-3		
Aves e caça	Frango e peru	Envolver em película aderente	4 - 6	
	Ganso	Envolver em película aderente (as porções não devem exceder 2,5 kg)	4 - 6	
	Pato	Envolver em película aderente (as porções não devem exceder 2,5 kg)	4-6	
	Veado, coelho, cabrito	Envolver em película aderente (as porções não devem exceder 2,5 kg)	6 - 8	
Peixe e marisco	Peixe de água-doce (Truta, carpa, peixe-gato)	Depois de limpar bem o interior e as escamas, deve-se lavar e secar, e cortar a cauda e a cabeça quando necessário.	2	
	Peixe magro (robalo, pregado, linguado)		4-6	
	Peixe gordo (bonito, cavala, anchova, salmonete, anchova)		2 - 4	
	Moluscos e crustáceos	Limpos e em sacos	4 - 6	
	Caviar	Na embalagem respetiva, num recipiente de alumínio ou de plástico	2 - 3	

Frutas e vegetais	Preparação	Prazo mais longo de armazenamento (mês)
Feijão verde e feijão	Ferver por 3 minutos após a lavagem e cortar em pedaços pequenos	10 - 13
Ervilha	Ferver por 2 minutos depois de descascar e lavar	10-12
Repolho	Ferver por 1-2 minutos depois de lavar	6 - 8
Cenoura	Ferver por 3-4 minutos depois de lavar e cortar em pedaços	12
Pimenta	Ferver por 2-3 minutos depois de cortar o caule, dividir em dois e separar as sementes	8 - 10
Espinafre	Ferver por 2 minutos depois de lavar e limpar	6 - 9
Alho francês	Ferver por 5 minutos depois de cortar em pedaços	6-8
Couve-flor	Ferver num pouco de água com limão por 3-5 minutos depois de separar as folhas, cortar o miolo em pedaços	10 - 12
Beringela	Ferver por 4 minutos depois de lavar e cortar em pedaços de 2 cm	10 - 12
Abóbora	Ferver por 2-3 minutos depois de lavar e cortar em pedaços de 2 cm	8-10
Cogumelo	Saltear ligeiramente em óleo e espremer um limão sobre o mesmo	2-3
Milho	Limpar e embalar com a espiga ou em grão	12
Maçã e pera	Ferver por 2-3 minutos depois de descascar e de cortar em fatias	8 - 10
Alperce e pêssego	Dividir ao meio e retirar os caroços	4 - 6
Morango e framboesa	Lavar e descascar	8 - 12
Fruta cozida	Adicionar 10% de açúcar no recipiente	12
Ameixa, cereja, ginja	Lavar e retirar os talos	8 - 12

Produtos láteos	Preparação	Prazo mais longo de armazenamento (mês)	Condições de armazenamento
Queijo (exceto queijo feta)	Colocar película aderente entre as fatias	6 - 8	Pode ser deixado na embalagem original para armazenamento de curta duração Para armazenamento de longa duração deve ser envolvido em folha de alumínio ou de plástico
Manteiga, margarina	Na respetiva embalagem	6	Na respetiva embalagem ou em recipientes de plástico

6 Manutenção e limpeza

- ⚠ Nunca use gasolina, benzeno ou substâncias semelhantes para a limpeza.
- ⚠ Recomendamos que desligue a ficha do equipamento da tomada antes da limpeza.
- ⚠ Nunca utilize na limpeza objectos abrasivos ou pontiagudos, sabões, produtos de limpeza doméstica, detergentes ou ceras brilhantadoras.
- ℹ Utilize água morna para limpar o exterior do seu frigorífico e seque-o com um pano.
- ℹ Utilize um pano humedecido numa solução composta por uma colher de chá de bicarbonato de soda dissolvido em cerca de meio litro de água para limpar o interior e depois seque-o.
- ⚠ Certifique-se de que não entra água no compartimento da lâmpada e nos outros itens eléctricos.
- ⚠ Se o seu frigorífico não for utilizado durante um longo período de tempo, remova o cabo de alimentação, retire todos os alimentos, limpe-o e deixe a porta entreaberta.
- ℹ Verifique regularmente as borrachas vedantes da porta, para se assegurar que elas estão limpas e sem restos de alimentos.
- ⚠ Para remover os suportes da porta, retire todo o seu conteúdo e, em seguida, basta empurrar cuidadosamente o seu suporte para cima a partir da base.
- ⚠ Nunca utilize agentes de limpeza ou água que contenha cloro para limpar as superfícies externas e as partes cromadas do produto. O cloro provoca a corrosão de tais superfícies metálicas.
- ⚠ Não usar ferramentas aguçadas e abrasivas ou sabão, agentes de limpeza doméstica, detergentes, gasolina, benzina, cera, etc., podem danificar os carimbos nas partes plásticas, que podem desaparecer ou ficarem deformadas. Usar água quente e um pano macio para limpar e secar com um pano seco.

Protecção das superfícies plásticas

- ℹ Não coloque óleos líquidos ou comidas cozinhadas no óleo no seu frigorífico em recipientes abertos, uma vez que podem danificar as superfícies plásticas do seu frigorífico. No caso de derrame ou salpico de óleo nas superfícies plásticas, limpe e enxagúe a parte correspondente da superfície com água morna.

7 Soluções recomendadas para os problemas

Por favor, reveja esta lista antes de telefonar para a assistência. Com isso, pode poupar tempo e dinheiro. Esta lista abrange as reclamações frequentes resultantes de defeitos de fabricação ou utilização do material. Algumas das funções descritas aqui podem não existir no seu produto.

O frigorífico não funciona
<ul style="list-style-type: none">• O frigorífico tem a ficha eléctrica ligada correctamente à tomada? Introduza a ficha na tomada de parede.• O fusível da tomada na qual o frigorífico está ligado ou o fusível principal não está queimado? Verifique o fusível.
Condensação na parede lateral do compartimento do refrigerador (MULTIZONE, COOL CONTROL e FLEXI ZONE).
<ul style="list-style-type: none">• Condições ambientais muito frias. Abertura e fecho frequentes da porta. Condições ambientais de alta humidade. Armazenamento de alimentos que contém líquidos em recipientes abertos. A porta foi deixada entreaberta. Comute o termóstato para um grau mais frio.• Diminua o número de vezes de abertura da porta ou utilize menos frequentemente.• Cubra os alimentos guardados em recipientes abertos com um material apropriado.• Limpe a condensação usando um pano seco e verifique, se persistir.
O compressor não está a funcionar.
<ul style="list-style-type: none">• A protecção térmica do compressor deixará de funcionar durante falhas eléctricas repentinas ou na extracção/colocação da ficha eléctrica, já que a pressão refrigerante no sistema de arrefecimento do frigorífico ainda não se encontra estabilizada. O seu frigorífico voltará a funcionar aproximadamente 6 minutos depois. Por favor, chame a assistência se o frigorífico não começar a operar no fim deste período.• O refrigerador está no ciclo de descongelação. Isto é normal num frigorífico de descongelação totalmente automático. O ciclo de descongelação ocorre periodicamente.• O seu frigorífico não está ligado à tomada. Certifique-se de que a ficha está correctamente ligada à tomada.• A regulação da temperatura está feita correctamente?• A corrente deve ser desligada.

O refrigerador está a funcionar frequentemente ou por um longo tempo.

- O seu novo produto pode ser mais largo do que o anterior. Esta situação é perfeitamente normal. Os frigoríficos grandes operam por um período maior de tempo.
- A temperatura ambiente pode estar muito elevada. Esta situação é perfeitamente normal.
- O frigorífico foi ligado à tomada há pouco tempo ou carregado com alimentos. O arrefecimento total do frigorífico pode demorar mais do que duas horas.
- Podem ter sido colocadas recentemente grandes quantidades de alimentos quentes no frigorífico. Os alimentos quentes obrigam a um funcionamento mais vigoroso do frigorífico até que alcance a temperatura segura de armazenamento.
- As portas podem estar a ser abertas frequentemente ou foram deixadas entreabertas por longo tempo. O ar quente que entrou no frigorífico faz com que o mesmo tenha que funcionar por períodos mais longos. Abra as portas com menos frequência.
- A porta do compartimento do refrigerador ou do congelador pode ter sido deixada entreaberta. Verifique se as portas estão completamente fechadas.
- O frigorífico está ajustado para uma temperatura muito baixa. Ajuste a temperatura do frigorífico para um grau mais quente e aguarde até que a temperatura seja atingida.
- O vedante da porta do refrigerador ou do congelador pode estar sujo, gasto, roto ou não ajustado correctamente. Limpe ou substitua o vedante. O vedante danificado/roto faz com que o frigorífico funcione por um período de tempo maior para que mantenha a temperatura actual.

A temperatura do congelador está muito baixa, enquanto que a temperatura do refrigerador é suficiente.

- A temperatura do congelador está ajustada para uma temperatura muito baixa. Ajuste a temperatura do congelador para um grau mais quente e verifique.

A temperatura do refrigerador está muito baixa, enquanto que a temperatura do congelador é suficiente.

- A temperatura do refrigerador pode ter sido ajustada para uma temperatura muito baixa. Ajuste a temperatura do refrigerador para um grau mais quente e verifique.

Os alimentos guardados nas gavetas do compartimento do refrigerador estão congelados.
<ul style="list-style-type: none"> • A temperatura do refrigerador pode ter sido ajustada para uma temperatura muito baixa. Ajuste a temperatura do refrigerador para um grau mais quente e verifique.
A temperatura no refrigerador ou no congelador é muito alta.
<ul style="list-style-type: none"> • A temperatura do refrigerador pode ter sido ajustada para um grau muito alto. O ajuste do refrigerador tem efeito na temperatura do congelador. Altere a temperatura do refrigerador ou do congelador até que a temperatura do refrigerador ou do congelador atinja um nível suficiente. • As portas podem estar a ser abertas frequentemente ou foram deixadas entreabertas por longo tempo; abra-as menos frequentemente. • A porta poderá ter sido deixada entreaberta; feche-a completamente. • Podem ter sido colocadas recentemente grandes quantidades de alimentos quentes no frigorífico. Aguarde até que o refrigerador ou o congelador atinja a temperatura desejada. • O frigorífico pode ter sido ligado à tomada há pouco tempo. O total arrefecimento do frigorífico leva tempo.
O ruído de funcionamento aumenta quando o frigorífico está a funcionar.
<ul style="list-style-type: none"> • O desempenho de funcionamento do frigorífico pode variar devido às alterações na temperatura ambiente. Esta situação é normal e não é um problema.
Vibrações ou ruído.
<ul style="list-style-type: none"> • O piso não está nivelado ou não é resistente. O frigorífico balança quando deslocado lentamente. Certifique-se de que o piso é suficientemente forte para suportar o frigorífico, e nivelado. • O ruído pode ser causado pelos itens colocados sobre o frigorífico. Os itens sobre o topo do frigorífico devem ser removidos.
Há ruídos que surgem do frigorífico como líquidos a verter ou gotejar.
<ul style="list-style-type: none"> • Os fluxos de gás e líquidos acontecem conforme os princípios de funcionamento do seu frigorífico. Esta situação é normal e não é um problema.
Há um ruído parecido com o vento a soprar.
<ul style="list-style-type: none"> • As ventoinhas são utilizadas para arrefecer o frigorífico. Esta situação é normal e não é um problema.

Condensação nas paredes internas do frigorífico.
<ul style="list-style-type: none"> • O tempo quente e húmido aumenta a formação de gelo e de condensação. Esta situação é normal e não é um problema. • As portas poderão ter sido deixadas entreabertas; certifique-se que as mesmas estão completamente fechadas. • As portas podem estar a ser abertas frequentemente ou foram deixadas entreabertas por longo tempo; abra-as menos frequentemente.
Há ocorrência de humidade no exterior do frigorífico ou entre as portas.
<ul style="list-style-type: none"> • Poderá existir humidade no ar; isto é bastante normal no tempo húmido. Quando a humidade for menor, a condensação irá desaparecer.
Maus odores dentro do frigorífico.
<ul style="list-style-type: none"> • O interior do frigorífico deve ser limpo. Limpe o interior do frigorífico com uma esponja, água morna ou água com gás. • Alguns recipientes ou materiais de embalagem podem provocar cheiros. Utilize um recipiente diferente ou um material de embalagem de marca diferente.
A porta não está fechada.
<ul style="list-style-type: none"> • Os pacotes de alimentos podem impedir o fecho da porta. Coloque de outra forma as embalagens que estão a obstruir a porta. • O frigorífico não está completamente na vertical no pavimento e balanceia quando ligeiramente movido. Ajuste os parafusos de elevação. • O piso não é sólido ou não está nivelado. Certifique-se de que o piso está nivelado e capaz de suportar o frigorífico.
As gavetas para frutos e legumes estão bloqueadas.
<ul style="list-style-type: none"> • Os alimentos podem estar a tocar o tecto da gaveta. Arrume novamente os alimentos na gaveta.

ISENÇÃO DE RESPONSABILIDADE /ADVERTÊNCIA

Algumas falhas (simples) podem ser tratadas de forma adequada pelo utilizador final sem que surja qualquer problema de segurança ou de utilização não segura, desde que as mesmas sejam solucionadas dentro dos limites e de acordo com as seguintes instruções (consultar a secção “Reparação Autónoma”.

Portanto, exceto se contrariamente autorizado na secção “Reparação Autónoma” abaixo, as reparações devem ser realizadas por profissionais reparadores registados de modo a evitar problemas de segurança. Um reparador profissional registado é um reparador profissional a quem o fabricante concedeu acesso às instruções e à lista de peças de substituição deste produto de acordo com os métodos descritos na lei nos termos da Diretiva 2009/125/CE.

No entanto, apenas o agente de reparação (ou seja, os reparadores profissionais autorizados) com quem pode entrar em contacto através do número de telefone fornecido no manual do utilizador/cartão da garantia ou através do seu revendedor autorizado que pode fornecer serviços de acordo com os termos de garantia. Portanto, deve estar ciente de que as reparações feitas por reparadores profissionais (não autorizados por Beko) anulam a garantia.

Reparação Autónoma

A reparação autónoma pode ser feita pelo utilizador final em relação à seguintes peças de substituição: porta, manípulos, dobradiças das portas, tabuleiros, cestos e vedantes da porta (é disponibilizada uma lista atualizada em support.beko.com) a partir de 1 de março de 2021).

Além disso, para garantir a segurança do produto e evitar o risco de ferimentos graves, a reparação autónoma referida deve ser feita seguindo as instruções do manual do utilizador para reparação autónoma ou as que estão disponíveis em support.beko.com. Para sua segurança, deve desligar o produto antes de tentar fazer qualquer reparação autónoma.

As tentativas de reparação feitas pelos utilizadores finais de peças não incluídas na referida lista e/ou não seguindo as instruções nos manuais do utilizador relativamente à mesma ou que se encontram disponíveis em support.beko.com, podem levantar questões de segurança não atribuíveis a Beko, e anularão a garantia do produto.

Portanto, é altamente recomendável que os utilizadores finais evitem tentar realizar reparações que não se enquadrem na lista mencionada de peças de substituição, e nesse caso deverão contactar com reparadores profissionais autorizados ou reparadores profissionais registados. Por outro lado, as referidas tentativas por parte dos utilizadores finais podem provocar problemas de segurança e danificar o produto e, subsequentemente, provocar incêndio, inundação, eletrocussão e ferimentos graves.

Por exemplo, mas não limitado a, as seguintes reparações devem ser realizadas por Reparadores profissionais autorizados ou registados: compressor, circuito de refrigeração, placa de circuitos, placa do inversor, placa do visor, etc.

O fabricante/vendedor não pode ser responsabilizado em circunstâncias em que os utilizadores finais não cumpram com o acima referido.

A disponibilidade de peças de substituição da frigorífico que comprou é de 10 anos. Durante este período, as peças de substituição originais estarão disponíveis para operar corretamente a frigorífico.

A duração mínima da garantia do frigorífico que adquiriu é de 24 meses.