



Refrigerator-Freezer type I

Frigo-Congelatore di tipo I

Холодильник - Морозильник типу I

Холодильник - Морозильник типа I

Refrigerador-Congelador de tipo I

Refrigerador Congelador tipo I

Réfrigérateur - Congélateur Type I

RDSA310M20S

WARNING!

In order to ensure a normal operation of your refrigerating appliance, which uses a completely environmentally friendly refrigerant the R600a (flammable only under certain conditions) you must observe the following rules:

- Do not hinder the free circulation of the air around the appliance.
- Do not use mechanic devices in order to accelerate the defrosting, others than the ones recommended by the manufacturer.
- Do not destroy the refrigerating circuit.
- Do not use electric appliances inside the food cheeping compartment, others than those that might have been recommended by the manufacturer.

AVVERTENZA!

Per garantire il funzionamento adeguato dell'elettrodomestico, che utilizza il refrigerante R600a completamente adatto all'ambiente (infiammabile solo in determinate condizioni), è necessario attenersi alle seguenti regole:

- Non ostacolare la libera circolazione dell'aria attorno all'elettrodomestico.
- Per accelerare lo sbrinamento non utilizzare dispositivi meccanici diversi da quelli consigliati dal produttore.
- Non danneggiare il circuito refrigerante.
- Non utilizzare all'interno del comparto del cibo elettrodomestici diversi da quelli consigliati dal produttore.

УВАГА!

Для того, щоб забезпечити нормальну роботу Вашого холодильника, в якому використовується охолоджуючий реагент R600a, абсолютно нешкідливий для навколишнього середовища (займається лише за певних умов), Вам необхідно дотримуватися наступних правил..

- Не створюйте перепон для вільної циркуляції повітря навколо холодильника.
- Не користуйтеся жодними механічними пристроями та інструментами для видалення льоду під час розморожування холодильника, окрім тих, що рекомендовані виробником.
- Не допускайте пошкодження охолоджуючого контура.
- Не встановлюйте всередину холодильного відділення, де зберігаються продукти, жодних електричних пристроїв, окрім тих, що рекомендовані виробником.

ВНИМАНИЕ

Для того, чтобы обеспечить нормальную работу Вашего холодильника в котором используется охлаждающий реагент R600a, совершенно безвредный для окружающей среды (воспламеняющийся только в определенных условиях), Вам следует соблюдать следующие правила.

- Не создавайте препятствий для свободной циркуляции воздуха вокруг холодильника.
- Не пользуйтесь никакими механическими приспособлениями и инструментами для удаления льда при размораживании холодильника, кроме тех, которые рекомендованы изготовителем.
- Не допускайте повреждения охлаждающего контура.
- Не устанавливайте внутрь холодильного отделения, где хранятся продукты, никакие электрические устройства, кроме тех, которые рекомендованы изготовителем.

ADVERTENCIA

Con el fin de garantizar un funcionamiento normal de su frigorífico, que utiliza un refrigerante totalmente respetuoso con el medio ambiente, el R600a (inflamable sólo en ciertas condiciones), se deben observar las pautas siguientes:

- No impedir la libre circulación del aire alrededor del electrodoméstico.
- Para acelerar el deshielo no se deben utilizar dispositivos mecánicos que no sean aquellos recomendados por el fabricante.
- No destruir el circuito de refrigeración.
- No utilizar aparatos eléctricos dentro del compartimento de aviso de alimentos que no sean los que pudiera haber recomendado el fabricante.

AVISO!

Afim de assegurar um funcionamento normal do seu aparelho de refrigeração que utiliza um refrigerador, o R600a, completamente amigo do ambiente (inflamável apenas sob certas condições), deve observar as seguintes normas:

- Não obstrua a livre circulação do ar ao redor do aparelho.
- Não utilize dispositivos mecânicos que não os recomendados pelo fabricante para acelerar o descongelamento.
- Não destrua o circuito de refrigeração.
- Não utilize aparelhos elétricos que não aqueles que devem ter sido recomendados pelo fabricante dentro do compartimento para guardar comida.

ATTENTION!

Pour assurer un fonctionnement normal de votre appareil qui utilise un agent frigorifique complètement écologique, R600a (infamable seulement dans certaines conditions) vous devez respecter les règles suivantes:

- N'empêchez pas la libre circulation de l'air autour de l'appareil.
- N'utilisez pas des dispositifs mécaniques pour accélérer le dégivrage, autres que ceux recommandés par le fabriquant.
- Ne détruisez pas le circuit frigorifique.
- N'utilisez pas des appareils électiques à l'intérieur du compartiment pour conserver les denrées, apart celles qui sont éventuellement recommandés par le fabriquant.

GB Index

Safety first /1
Electrical requirements /2
Transportation instructions /2
Installation instructions /2
Getting to know your appliance /3
Suggested arrangement of food in the appliance /3
Temperature control and adjustment /4
Before operating /4
Storing frozen food /4
Freezing fresh food /4
Making ice cubes /5
Defrosting /5
Replacing the interior light bulb /6
Cleaning and care /6
Repositioning the door /6
Do's and don'ts /7
Trouble – shooting /8

IT Indice

Sicurezza iniziale /9
Requisiti elettrici /10
Istruzioni per il trasporto /10
Istruzioni di installazione /10
Conoscere l'elettrodomestico /11
Suggerimenti sulla disposizione del cibo nell'elettrodomestico /11
Controllo e regolazione della temperatura /11
Prima della messa in funzione /12
Conservazione di cibo congelato /12
Congelamento di cibo fresco /12
Preparazione dei cubetti di ghiaccio /12
Sbrinamento /12
Sostituzione della lampadina interna /13
Pulizia e manutenzione /13
Riposizionamento dello sportello /14
Cosa fare e cosa non fare /14
Risoluzione dei problemi /15

UA Зміст

Безпека перш за все! /16
Вимоги до електропостачання /17
Інструкція з транспортування /17
Інструкція зі встановлення /17
Загальні відомості про холодильник /18
Рекомендований спосіб розміщення продуктів у холодильнику /18
Регулювання температури /19
Перед початком роботи /19
Зберігання заморожених продуктів /19
Заморожування свіжих продуктів /19
Заморожування льоду /20
Розморожування /20
Заміна лампочки всередині холодильника /20
Чистення холодильника і догляд за ним /20
Перенавішування дверцят /21
Що слід і чого не можна робити /21
Усунення несправностей /22

РУС Содержание

Безопасность прежде всего /24
Требования к электропитанию /25
Инструкция по транспортировке /25
Инструкция по установке /25
Общие сведения о холодильнике /26
Рекомендуемый способ размещения продуктов в холодильнике /26
Регулировка температуры /26
Перед началом работы /27
Хранение замороженных продуктов /27
Замораживание свежих продуктов /27
Замораживание льда /28
Размораживание /28
Замена лампочки внутри холодильника /29
Чистка холодильника и уход за ним /29
Перевешивание двери /29
Что следует и чего нельзя делать /30
Устранение неисправностей /31

ES Índice

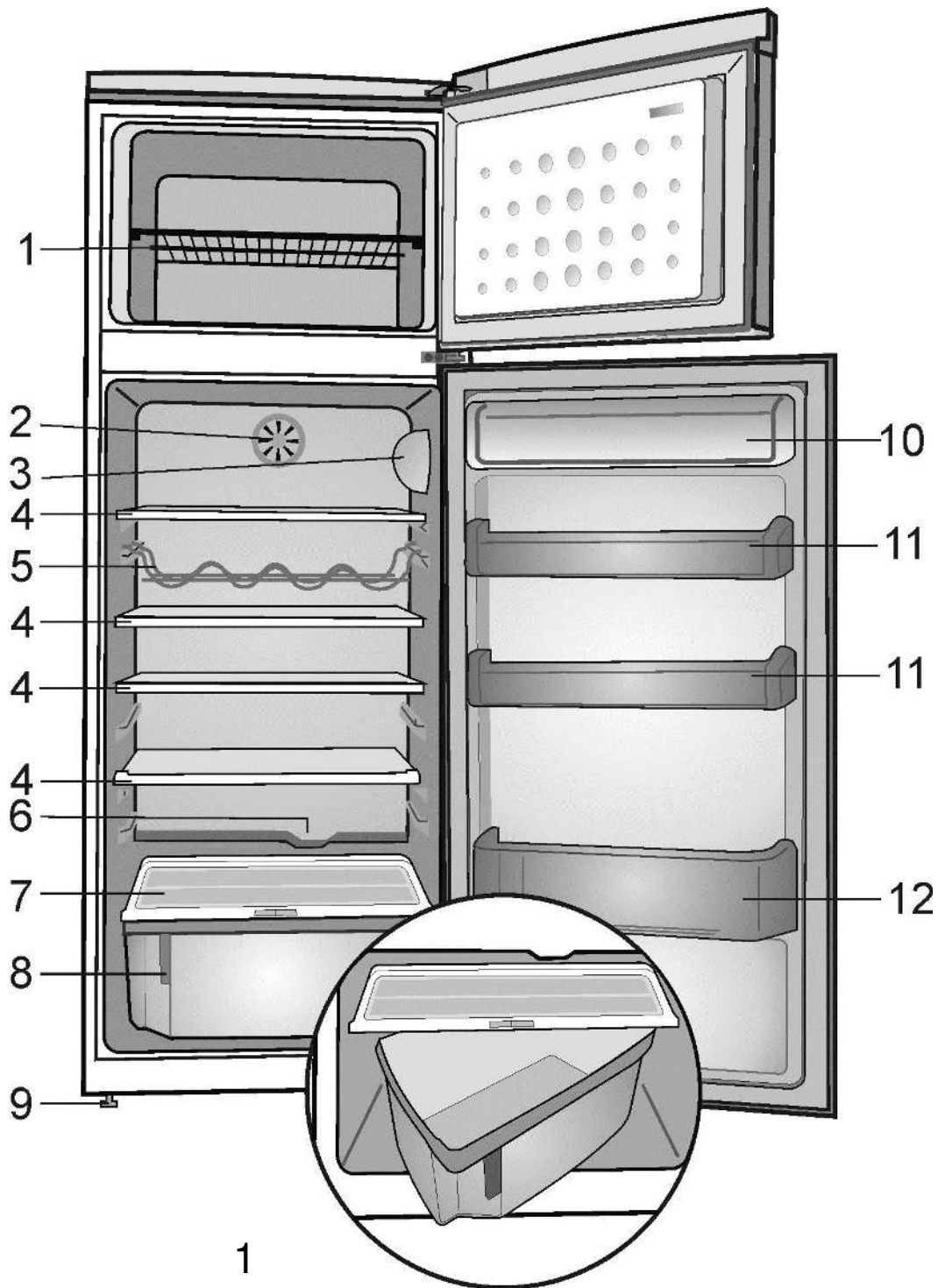
La seguridad es lo primero /32
Requisitos eléctricos /33
Instrucciones de transporte /33
Instrucciones de instalación /33
Detalles del frigorífico /34
Disposición recomendada de los alimentos en el frigorífico /34
Control y ajuste de la temperatura /35
Antes del funcionamiento /35
Almacenamiento de alimentos congelados /36
Congelación de alimentos frescos /36
Cubitos de hielo /36
Desescarchado /36
Sustitución de la bombilla interior /37
Conservación y limpieza /37
Reposicionamiento de la puerta /38
Prácticas correctas e incorrectas /38
Resolución de problemas /39
Advertencias sobre los ruidos de funcionamiento del aparato /39

PT Índice

Princípios básicos de segurança /41
Requisitos eléctricos /42
Instruções para transporte /42
Instruções de instalação /42
Detalhes do frigorífico /43
Arrumação sugerida para os alimentos no frigorífico /43
Controlo e ajuste da temperatura /44
Antes do funcionamento /44
Armazenar alimentos congelados /44
Congelar alimentos frescos /45
Fazer cubos de gelo /45
Descongelar /45
Substituição da lâmpada interior /46
Limpeza e cuidados /46
Recolocação das portas /46
Procedimentos correctos e incorrectos /47
Resolução de problemas /48

FR Sommaire

La sécurité d'abord /49
Conditions électriques /50
Instructions de transport /50
Instructions d'installation /50
Apprendre à connaître votre appareil /51
Suggestion d'agencement des denrées dans l'appareil /51
Commande de température et réglage /52
Avant l'utilisation /52
Conservation des denrées surgelées /52
Congélation des produits frais /52
Fabrication de glaçons /53
Dégivrage /53
Remplacer l'ampoule intérieure /53
Repositionnement de la porte /53
Nettoyage et entretien /54
À faire / À éviter /55
Diagnostic /56



1

Figures that take place in this instruction manual are schematic and may not correspond exactly with your product. If the subject parts are not included in the product you have purchased, then it is valid for other models.

Le illustrazioni contenute in questa guida sono schematiche e potrebbero non corrispondere esattamente al prodotto in uso. Se le parti in oggetto non sono incluse nel prodotto acquistato, significa che sono da intendersi per altri modelli.

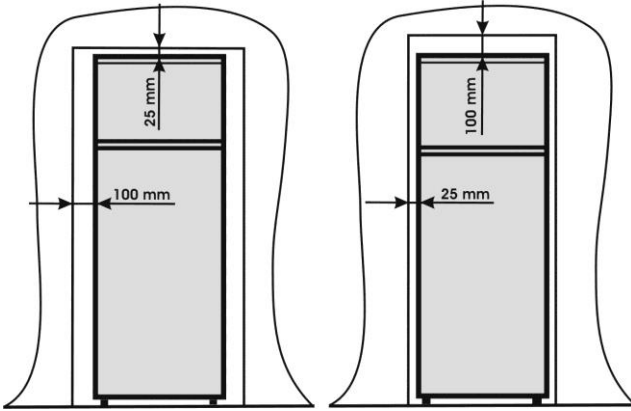
Ілюстрації в даній інструкції є схематичними і можуть відрізнятися від вашої моделі. Якщо до комплектації моделі, яку ви придбали, не входять вказані деталі, вони призначені для інших моделей.

Иллюстрации в данной инструкции являются схематичными и могут не соответствовать вашей модели. Некоторые компоненты, которые не входят в состав приобретенного вами изделия, используются в других моделях.

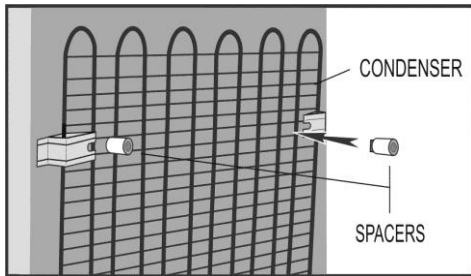
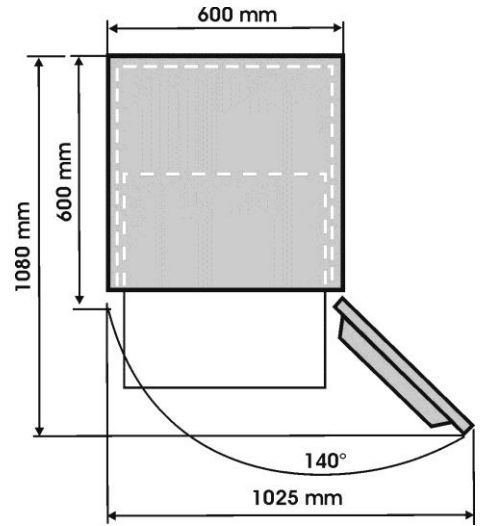
Las ilustraciones incluidas en el presente manual de instrucciones son esquemáticas y puede que no se adecúen a su aparato con exactitud. Si alguno de los elementos reflejados no se corresponde con el aparato que usted ha adquirido, entonces será válido para otros modelos.

As figuras que aparecem neste manual de instruções são esquemáticas e podem não corresponder exactamente ao seu produto. Se as partes referidas não estiverem incluídas no produto que adquiriu, é porque são válidas para outros modelos.

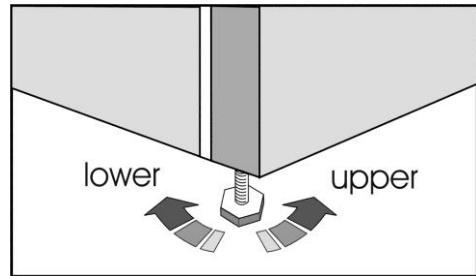
Les illustrations présentées dans cette notice d'utilisation sont schématiques et peuvent ne pas correspondre exactement à votre produit. Si certains éléments illustrés ne sont pas inclus dans le produit que vous avez acheté, ils concerneront d'autres modèles.



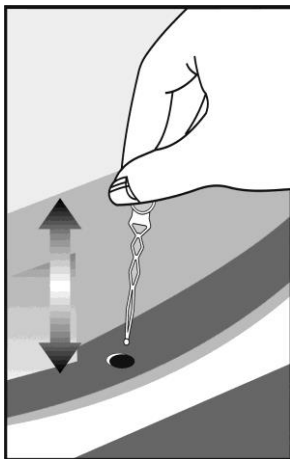
2



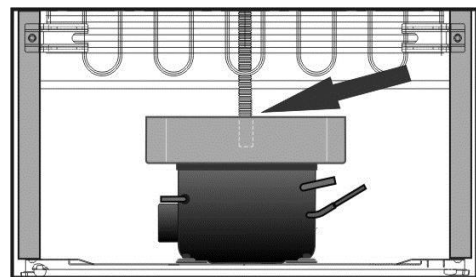
3



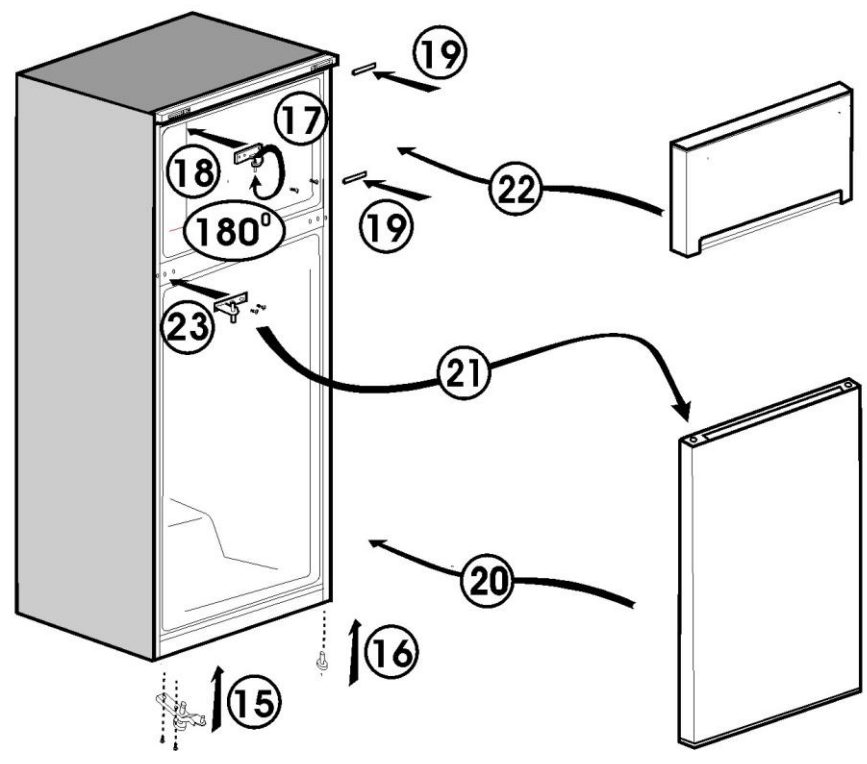
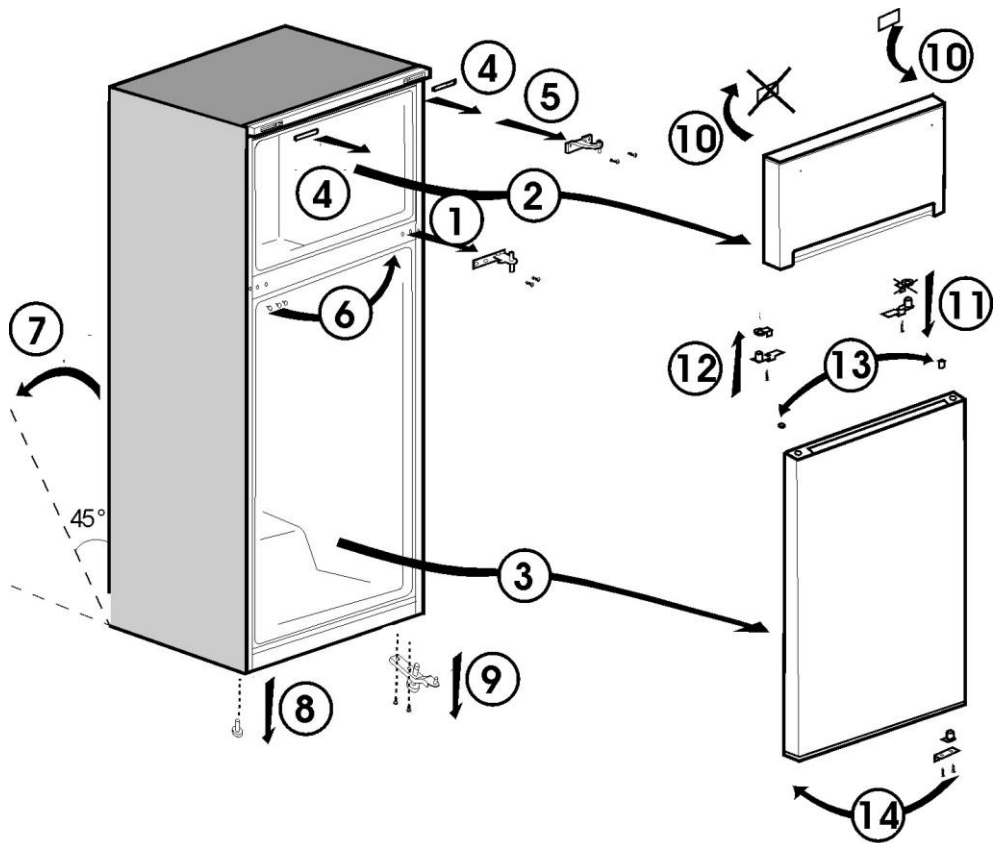
4



5



6



Congratulations on your choice of a **BEKO** Quality Appliance, designed to give you many years of service.

Safety first!

Do not connect your appliance to the electricity supply until all packing and transit protectors have been removed.

- Leave to stand for at least 4 hours before switching on, to allow compressor oil to settle, if transported horizontally.
- If you are discarding an old appliance with a lock or latch fitted to the door, ensure that it is left in a safe condition to prevent the entrapment of children.
- This appliance must only be used for its intended purpose.
- Do not dispose of the appliance on a fire. Your appliance contains non CFC substances in the insulation which are flammable. We suggest you contact your local authority for information on disposal and available facilities.
- We do not recommend use of this appliance in an unheated, cold room. (e.g. garage, conservatory, annex, shed, out-house etc.)

To obtain the best possible performance and trouble free operation from your appliance it is very important to read these instructions carefully. Failure to observe these instructions may invalidate your right to free service during the guarantee period.

Please keep these instructions in a safe place for easy reference.

Original Spare parts will be provided for 10 years, following the product purchasing date.

This appliance is not intended for use by person with reduced physical, sensory or mental capabilities or lack of experience and knowledge unless they have been given supervision or instruction concerning use of the appliance by a person responsible for their safety.

Children should be supervised to ensure that they do not play with the appliance.

Electrical requirements

Before inserting the plug into the wall socket make sure that the voltage and the frequency shown in the rating plate inside the appliance corresponds to your electricity supply.

We recommend that this appliance is connected to the mains supply via a suitably switched and fused socket in a readily accessible position.

Warning! This appliance must be earthed.

Repairs to electrical equipment should only be performed by a qualified technician. Incorrect repairs carried out by an unqualified person are carry risks that may have critical consequences for the user of the appliance.

ATTENTION!

This appliance operates with R600a which is an environmental friendly but flammable gas. During the transportation and fixing of the product, care must be taken not to damage the cooling system. If the cooling system is damaged and there is a gas leakage from the system, keep the product away from open flame sources and ventilate the room for a while.

WARNING - Do not use mechanical devices or other means to accelerate the defrosting process, others than those recommended by the manufacturer.

WARNING - Do not damage the refrigerant circuit.

WARNING - Do not use electrical appliances inside the food storage compartments of the appliance, unless they are of the type recommended by the manufacturer.

WARNING - If the supply cord is damaged, it must be replaced by the manufacturer, its service agent or similarly qualified persons in order to avoid a hazard.

Transportation instructions

1. The appliance should be transported only in an upright position. The packing as supplied must be intact during transportation.
2. If during the transport the appliance, has been positioned horizontally, it must not be operated for at least 4 hours, to allow the system to settle.

3. Failure to comply with the above instructions could result in damage to the appliance, for which the manufacturer will not be held liable.

4. The appliance must be protected against rain, moisture and other atmospheric influences.

Important!

- Care must be taken while cleaning/carrying the appliance not to touch the bottom of the condenser metal wires at the back of the appliance, as this could cause injury to fingers and hands.
- Do not attempt to sit or stand on top of your appliance as it is not designed for such use. You could injure yourself or damage the appliance.
- Make sure that the mains cable is not caught under the appliance during and after moving, as this could damage the cable.
- Do not allow children to play with the appliance or tamper with the controls.

Installation instructions

1. Do not keep your appliance in a room where the temperature is likely to fall below 10 degrees C (50 degrees F) at night and/or especially in winter, as it is designed to operate in ambient temperatures between +10 and +38 degrees C (50 and 100 degrees F). At lower temperatures the appliance may not operate, resulting in a reduction in the storage life of the food.

2. Do not place the appliance near cookers or radiators or in direct sunlight, as this will cause extra strain on the appliance's functions. If installed next to a source of heat or freezer, maintain the following minimum side clearances:

From Cookers 30 mm

From Radiators 300 mm

From Freezers 25 mm

3. Make sure that sufficient room is provided around the appliance to ensure free air circulation (**Item 2**).

- Put the back airing lid to the back of your refrigerator to set the distance between the refrigerator and the wall (**Item 3**).



4. The appliance should be positioned on a smooth surface. The two front feet can be adjusted as required. To ensure that your appliance is standing upright adjust the two front feet by turning clockwise or anti-clockwise, until firm contact is secured with the floor. Correct adjustment of feet prevents excessive vibration and noise (**Item 4**).
5. Refer to "Cleaning and Care" section to prepare your appliance for use.

Getting to know your appliance (Item 1)

- 1 - Freezer shelf
- 2 - Fan
- 3 - Thermostat and lamp housing
- 4 - Adjustable Cabinet shelves
- 5 - Wine bottles support
- 6 - Defrost water collection channel - Drain tube
- 7 - Crisper cover
- 8 - Crisper
- 9 - Adjustable front feet
- 10 - Dairy Compartment
- 11 - Shelves
- 12 - Bottle shelf

Suggested arrangement of food in the appliance

Guidelines for obtaining optimum storage and hygiene:

1. The fridge compartment is for the short-term storage of fresh food and drinks.
2. The freezer compartment is  rated and suitable for the freezing and storage of pre-frozen food. The recommendation for  storage as stated on the food packaging should be observed at all times.
3. Dairy products should be stored in the special compartment provided in the door liner.
4. Cooked dishes should be stored in airtight containers.

5. Fresh wrapped produce can be kept on the shelf. Fresh fruit and vegetables should be cleaned and stored in the crispers.
6. Bottles can be kept in the door section.
7. To store raw meat, wrap in polythene bags and place on the lowest shelf. Do not allow to come into contact with cooked food, to avoid contamination. For safety, only store raw meat for two to three days.
8. For maximum efficiency, the removable shelves should not be covered with paper or other materials to allow free circulation of cool air.
9. Do not keep vegetable oil on door shelves. Keep the food packed, wrapped or covered. Allow hot food and beverages to cool before refrigerating. Leftover canned food should not be stored in the can.
10. Fizzy drinks should not be frozen and products such as flavoured water ices should not be consumed too cold.
11. Some fruit and vegetables suffer damage if kept at temperatures near 0°C. Therefore wrap pineapples, melons, cucumbers, tomatoes and similar produce in polythene bags.
12. High-proof alcohol must be stored upright in tightly closed containers. Never store products that contain an inflammable propellant gas (e.g. cream dispensers, spray cans, etc.) or explosive substances. These are an explosion hazard.

Temperature control and adjustment

Operating temperatures are controlled by the thermostat knob and may be set at any position between 1 and 5 (the coldest position).

If the thermostat knob is in position "0" the appliance is off. In this case neither the lamp for inside lighting will light.

The average temperature inside the fridge should be around +5°C (+41°F).

Therefore adjust the thermostat to obtain the desired temperature. Some sections of the fridge may be cooler or warmer (such as salad crisper and top part of the cabinet) which is quite normal. We recommend that you check the temperature periodically with a thermometer to ensure that the cabinet is kept to this temperature. Frequent door openings cause internal temperatures to rise, so it is advisable to close the door as soon as possible after use.

Before operating

Final Check

Before you start using the appliance check that:

1. The feet have been adjusted for perfect levelling.
2. The interior is dry and air can circulate freely at the rear.
3. The interior is clean as recommended under "Cleaning and care."
4. The plug has been inserted into the wall socket and the electricity is switched on. When the door is open the interior light will come on.

And note that:

5. You will hear a noise as the compressor starts up. The liquid and gases sealed within the refrigeration system may also make some (noise), whether the compressor is running or not. This is quite normal.
6. Slight undulation of the top of the cabinet is quite normal due to the manufacturing process used; it is not a defect.

7. We recommend setting the thermostat knob midway and monitor the temperature to ensure the appliance maintains desired storage temperatures (See section Temperature Control and Adjustment).

8. Do not load the appliance immediately it is switched on. Wait until the correct storage temperature has been reached. We recommend checking the temperature with an accurate thermometer (see; Temperature Control and Adjustment).

Storing frozen food

Your freezer is suitable for the long-term storage of commercially frozen foods and also can be used to freeze and store fresh food. If there is a power failure, do not open the door. Frozen food should not be affected if the failure lasts for less than 19 hrs. If the failure is longer, then the food should be checked and either eaten immediately or cooked and then re-frozen.

Freezing fresh food

Please observe the following instructions to obtain the best results.

Do not freeze too large a quantity at any one time. The quality of the food is best preserved when it is frozen right through to the core as quickly as possible.

Do not exceed the freezing capacity of your appliance in 24 h.

Placing warm food into the freezer compartment causes the refrigeration machine to operate continuously until the food is frozen solid. This can temporarily lead to excessive cooling of the refrigeration compartment.

When freezing fresh food, keep the thermostat knob at medium position. Small quantities of food up to 1/2 kg. (1 lb) can be frozen without adjusting the temperature control knob.

Take special care not to mix already frozen food and fresh food.

Making ice cubes

Fill the ice - cube tray 3/4 full with water and place it in the freezer. Loosen frozen trays with a spoon handle or a similar implement; never use sharp-edged objects such as knives or forks.

Defrosting

A) Fridge compartment

The fridge compartment defrosts automatically. The defrost water runs to the drain tube via a collection container at the back of the appliance (**Item 5**).

During defrosting, water droplets may form at the back of the fridge compartment where a concealed evaporator is located. Some droplets may remain on the liner and refreeze when defrosting is completed. Do not use pointed or sharp-edged objects such as knives or forks to remove the droplets which have refrozen.

If, at any time, the defrost water does not drain from the collection channel, check that no food particles have blocked the drain tube. The drain tube can be cleared with a pipe-cleaner or similar implement.

Check that the tube is permanently placed with its end in the collecting tray on the compressor to prevent the water spilling on the electric installation or on the floor (**Item 6**).

B) Freezer compartment

Defrosting is very straightforward and without mess, thanks to a special defrost collection basin.

Defrost twice a year or when a frost layer of around 7 (1/4") mm has formed. To start the defrosting procedure, switch off the appliance at the socket outlet and pull out the mains plug.

All food should be wrapped in several layers of newspaper and stored in a cool place (e.g. fridge or larder).

Containers of warm water may be placed carefully in the freezer to speed up the defrosting.

Do not use pointed or sharp-edged objects, such as knives or forks to remove the frost. Never use hairdryers, electrical heaters or other such electrical appliances for defrosting. Sponge out the defrost water collected in the bottom of the freezer compartment. After defrosting, dry the interior thoroughly. Insert the plug into the wall socket and switch on the electricity supply.

Replacing the interior light bulb

To change the Bulb/LED used for illumination of your refrigerator, call your Authorised Service.

The lamp(s) used in this appliance is not suitable for household room illumination. The intended purpose of this lamp is to assist the user to place foodstuffs in the refrigerator/freezer in a safe and comfortable way.

The lamps used in this appliance have to withstand extreme physical conditions such as temperatures below -20°C.

Cleaning and care

1. We recommend that you switch off the appliance at the socket outlet and pull out the mains plug before cleaning.
2. Never use any sharp instruments or abrasive substances, soap, household cleaner, detergent or wax polish for cleaning.
3. Use luke warm water to clean the cabinet of the appliance and wipe it dry.
4. Use a damp cloth wrung out in a solution of one teaspoon of bicarbonate of soda to one pint of water to clean the interior and wipe it dry.
5. Make sure that no water enters the temperature control box.
6. If the appliance is not going to be used for a long period of time, switch it off, remove all food, clean it and leave the door ajar.
7. We recommend that you polish the metal parts of the product (i.e. door exterior, cabinet sides) with a silicone wax (car polish) to protect the high quality paint finish.
8. Any dust that gathers on the condenser, which is located at the back of the appliance, should be removed once a year with a vacuum cleaner.
9. Check door seals regularly to ensure they are clean and free from food particles.

10. Never:

- Clean the appliance with unsuitable material; eg petroleum based products.
 - Subject it to high temperatures in any way,
 - Scour, rub etc., with abrasive material.
11. Removal of dairy cover and door tray :
- To remove the dairy cover, first lift the cover up by about an inch and pull it off from the side where there is an opening on the cover.
 - To remove a door tray, remove all the contents and then simply push the door tray upwards from the base.
12. Make sure that the special plastic container at the back of the appliance which collects defrost water is clean at all times. If you want to remove the tray to clean it, follow the instructions below:
- Switch off at the socket outlet and pull out the mains plug
 - Gently uncrimp the stud on the compressor, using a pair of pliers, so that the tray can be removed
 - Lift it up.
 - Clean and wipe it dry
 - Reassemble, reversing the sequence and operations
13. Large accumulation of ice will impair the performance of the appliance.

Repositioning the door

Proceed in numerical order (**Item 7**).

Do's and don'ts

- Do-** Clean and defrost your appliance regularly (See "Defrosting")
- Do-** Keep raw meat and poultry below cooked food and dairy products.
- Do-** Take off any unusable leaves on vegetables and wipe off any soil.
- Do-** Leave lettuce, cabbage, parsley and cauliflower on the stem.
- Do-** Wrap cheese firstly in greaseproof paper and then in a polythene bag, excluding as much air as possible. For best results, take out of the fridge compartment an hour before eating.
- Do-** Wrap raw meat and poultry loosely in polythene or aluminium foil. This prevents drying.
- Do-** Wrap fish and offal in polythene bags.
- Do-** Wrap food with a strong odour or which may dry out, in polythene bags, or aluminium foil or place in airtight container.
- Do-** Wrap bread well to keep it fresh.
- Do-** Chill white wines, beer, lager and mineral water before serving.
- Do-** Check contents of the freezer every so often.
- Do-** Keep food for as short a time as possible and adhere to "Best Before" and "Use by" etc. dates.
- Do-** Store commercially frozen food in accordance with the instructions given on the packets.
- Do-** Always choose high quality fresh food and be sure it is thoroughly clean before you freeze it.
- Do-** Prepare fresh food for freezing in small portions to ensure rapid freezing.
- Do-** Wrap all food in aluminium foil or freezer quality polythene bags and make sure any air is excluded.
- Do-** Wrap frozen food immediately after purchasing and put it in to the freezer as soon as possible.
- Do-** Defrost food in the fridge compartment.
- Don't-** Store bananas in your fridge compartment.
- Don't-** Store melon in your fridge. It can be chilled for short periods as long as it is wrapped to prevent it flavouring other food.
- Don't-** Cover the shelves with any protective materials which may obstruct air circulation.
- Don't-** Store poisonous or any dangerous substances in your appliance. It has been designed for the storage of edible foodstuffs only.
- Don't-** Consume food which has been refrigerated for an excessive length of time.
- Don't-** Store cooked and fresh food together in the same container. They should be packaged and stored separately.
- Don't-** Let defrosting food or food juices drip onto food.
- Don't-** Leave the door open for long periods, as this will make the appliance more costly to run and cause excessive ice formation.
- Don't-** Use sharp edged objects such as knives or forks to remove the ice.
- Don't-** Put hot food into the appliance. Let it cool down first.
- Don't-** Put liquid-filled bottles or sealed cans containing carbonated liquids into the freezer, as they may burst.
- Don't-** Exceed the maximum freezing loads when freezing fresh food.
- Don't-** Give children ice-cream and water ices direct from the freezer. The low temperature may cause 'freezer burns' on lips.
- Don't-** Freeze fizzy drinks.
- Don't-** Try to keep frozen food which has thawed; it should be eaten within 24 hours or cooked and refrozen.
- Don't-** Remove items from the freezer with wet hands.

Trouble - shooting

If the appliance does not operate when switched on, check;

- That the plug is inserted properly in the socket and that the power supply is on. (To check the power supply to the socket, plug in another appliance).
- Whether the fuse has blown/circuit breaker has tripped/main distribution switch has been turned off.


- That the temperature control has been set correctly.

- That the new plug is wired correctly, if you have changed the fitted, moulded plug.

If the appliance is still not operating at all after above checks, contact the dealer from whom you purchased the unit.

Please ensure that above checks have been done, as a charge will be made if no fault is found.



The symbol  on the product or on packaging indicates that this product may not be treated as household waste. Instead it shall be handed over to the applicable collection point for the recycling of electrical and electronic equipment. By ensuring this product is disposed of correctly, you will help prevent potential negative consequences for the environment and human health, which could otherwise be otherwise be caused by inappropriate waste handling of this product. For more detailed information about recycling of this product, please contact your local city office, you household waste disposal service or the shop where you purchased the product.

Complimenti per la scelta di un **BEKO** elettrodomestico di qualità, progettato per una lunga durata.

Innanzitutto la sicurezza!

Non collegare l'elettrodomestico all'alimentazione elettrica finché non sono stati rimossi l'imballaggio e le protezioni per il trasporto.

- Lasciare l'elettrodomestico diritto per almeno 12 ore prima di accenderlo, per consentire all'olio del compressore di risistemarsi se è stato trasportato in modo orizzontale.
- Se si dismette un elettrodomestico vecchio con lucchetto o chiusura sullo sportello, assicurarsi che sia in condizione di sicurezza per evitare che un bambino vi resti intrappolato.
- Questo elettrodomestico deve essere utilizzato esclusivamente per l'uso per cui è stato progettato.
- Non gettare l'elettrodomestico nel fuoco. L'elettrodomestico contiene sostanze non CFC nel materiale isolante che sono infiammabili. Si consiglia di contattare l'autorità locale per informazioni sullo smaltimento e sugli impianti disponibili.
- È sconsigliato l'utilizzo dell'elettrodomestico in ambienti freddi e non riscaldati (ad esempio garage, serra, dipendenza, rimessa, giardino, etc.).

Per ottenere le migliori prestazioni possibili e un funzionamento senza problemi è molto importante leggere con attenzione le seguenti informazioni. La mancata osservanza di queste istruzioni può invalidare il diritto alla manutenzione gratuita in periodo di garanzia.

Conservare queste istruzioni al sicuro per una rapida consultazione.

I pezzi di ricambio originali verranno forniti per 10 anni, successivamente alla data di acquisto del prodotto.

Questo apparecchio elettrico non è inteso per essere utilizzato da persona con handicap fisico, e/o mentale o con mancanza di esperienza e competenza anche se ad esse siano state date istruzioni concernenti l'uso da un supervisore o da persona con esperienza.

I bambini devono essere supervisionati da un adulto affinché non utilizzino l'apparecchio per il gioco.

Requisiti elettrici

Prima di inserire la spina nella presa a muro assicurarsi che la tensione e la frequenza riportate sull'etichetta informativa all'interno dell'elettrodomestico corrispondano all'alimentazione in uso.

Si consiglia di collegare questo elettrodomestico alla rete di alimentazione tramite una presa dotata di interruttore e fusibile in una posizione facilmente accessibile.

Avvertenza! Questo elettrodomestico deve essere dotato di messa a terra.

Le riparazioni all'apparecchiatura elettrica devono essere eseguite esclusivamente da tecnici qualificati. Riparazioni errate eseguite da persone non qualificate possono provocare conseguenze cruciali per l'utilizzatore dell'elettrodomestico.

ATTENZIONE!

Questo elettrodomestico utilizza il gas R600a che rispetta l'ambiente ma è infiammabile. Durante il trasporto e l'installazione del prodotto è necessario fare attenzione a non danneggiare il sistema di raffreddamento. Se il sistema di raffreddamento è danneggiato e vi è perdita di gas dal sistema, tenere il prodotto lontano da fiamme e ventilare la stanza per il tempo necessario.

AVVERTENZA - Non utilizzare apparecchiature meccaniche o altri mezzi diversi da quelli consigliati dal produttore per accelerare il processo di sbrinamento.

AVVERTENZA - Non danneggiare il circuito del refrigerante.

AVVERTENZA - Non utilizzare componenti elettrici all'interno degli scomparti per la conservazione del cibo, a meno che non siano del tipo consigliato dal produttore.

AVVERTENZA - Se il cavo di alimentazione è danneggiato, deve essere sostituito dal produttore, dal suo agente per l'assistenza o da persone similmente qualificate per evitare rischi.

Istruzioni per il trasporto

1. L'elettrodomestico deve essere trasportato solo in posizione verticale. L'imballaggio fornito deve essere intatto durante il trasporto.

2. Se l'elettrodomestico è stato trasportato in posizione orizzontale, non deve essere messo

in funzione per almeno 12 ore per consentire al sistema di risistemarsi.

3. La mancata osservanza delle istruzioni sopra riportate può causare danni all'elettrodomestico dei quali il produttore non è responsabile.

4. L'elettrodomestico deve essere protetto da pioggia, umidità e altri fenomeni atmosferici.

Importante!

- È necessario fare attenzione quando si pulisce/trasporta l'elettrodomestico affinché quest'ultimo non tocchi la parte inferiore dei cavi metallici del condensatore sulla parte posteriore dell'elettrodomestico in quanto potrebbero verificarsi lesioni alle dita e alle mani.
- Non tentare di sedersi o di stare in piedi sull'elettrodomestico poiché non è progettato per tale uso. Potrebbero risultarne lesioni personali o danni all'elettrodomestico.
- Assicurarsi che i cavi principali non siano impigliati sotto l'elettrodomestico durante e dopo lo spostamento poiché potrebbero derivarne danni ai cavi.
- Non permettere ai bambini di giocare con l'elettrodomestico o di manomettere i comandi.

Istruzioni di installazione

1. Non tenere l'elettrodomestico in un ambiente in cui la temperatura scenderà con ogni probabilità sotto i 10 °C (50 °F) di notte e/o in inverno, poiché è progettato per il funzionamento a temperature comprese tra i +10 e +38 °C (50 e 100 °F). A temperature più basse, l'elettrodomestico potrebbe non funzionare, provocando una riduzione nella durata di conservazione del cibo.

2. Non posizionare l'elettrodomestico vicino a fornelli o radiatori o alla luce diretta del sole, poiché ciò causerebbe ulteriore sollecitazione sulle funzioni dell'elettrodomestico. Se viene installato accanto a una fonte di calore o a un freezer, mantenere le seguenti distanze laterali minime:

Da fornelli 30 mm

Da radiatori 300 mm

Da freezer 25 mm

3. Assicurarsi che ci sia spazio sufficiente intorno all'elettrodomestico per garantire la libera circolazione dell'aria (**elemento 2**).

• Collocare il coperchio di aerazione posteriore sul retro del frigorifero per impostare la distanza tra il frigorifero e il muro (**elemento 3**).

4. L'elettrodomestico deve essere collocato su una superficie piana. È possibile regolare i due piedi anteriori come necessario. Per assicurare che l'elettrodomestico sia in posizione verticale regolare i due piedi anteriori ruotandoli in senso orario o antiorario finché non si ottiene contatto stabile con il pavimento. La corretta regolazione dei piedi previene vibrazione e rumore eccessivi **(elemento 4)**.



5. Consultare il capitolo "Pulizia e manutenzione" per preparare l'elettrodomestico per l'uso.

Conoscere l'elettrodomestico (elemento 1)

- 1 - Mensola del freezer
- 2 - Ventilatore
- 3 - Alloggiamento del termostato e della spia
- 4 - Mensole regolabili dell'armadietto
- 5 - Supporto per bottiglie di vino
- 6 - Canale di raccolta dell'acqua di sbrinamento - Tubo di scarico
- 7 - Coperchio scomparto frutta e verdura
- 8 - Scomparto frutta e verdura
- 9 - Piedi anteriori regolabili
- 10 - Scomparto latticini
- 11 - Mensole
- 12 - Mensola bottiglie

Suggerimenti sulla disposizione del cibo nell'elettrodomestico

Linee guida per ottenere la conservazione e l'igiene ottimale:

1. Lo scomparto frigo serve per la conservazione a breve termine di cibi freschi e bevande.
2. Lo scomparto del freezer  è adatto al congelamento e alla conservazione di cibo precongelato. È necessario osservare sempre i consigli per la conservazione  riportati sulla confezione dei cibi.
3. I prodotti caseari devono essere conservati in uno scomparto speciale presente nello sportello.
4. I piatti cotti devono essere conservati in contenitori a tenuta d'aria.
5. I prodotti freschi incartati possono essere

conservati sulla mensola. La frutta fresca e le verdure devono essere puliti e conservati nello scomparto apposito.

6. È possibile conservare le bottiglie nell'apposito spazio nello sportello.

7. Per conservare carne cruda avvolgerla in buste di polietilene e collocarla sulla mensola più bassa. Non mettere la carne cruda in contatto con cibi cotti, per evitare contaminazioni. Per sicurezza conservare la carne cruda solo per due o tre giorni.

8. Per la massima efficienza le mensole amovibili non devono essere coperte di carta o altri materiali affinché sia possibile la libera circolazione dell'aria fredda.

9. Non conservare oli vegetali sulle mensole dello sportello. Conservare i cibi confezionati, incartati o coperti. Permettere ai cibi e alle bevande calde di raffreddarsi prima di inserirle nel frigorifero. I cibi in scatole di latta parzialmente consumati non devono essere conservati nella latta.

10. Non congelare bevande gasate e non consumare prodotti come cubetti di ghiaccio aromatizzati troppo freddi.

11. Alcuni tipi di frutta e verdura si rovinano se conservati a temperature intorno a 0°C.

Pertanto avvolgere ananas, meloni, cetrioli e prodotti simili in buste di polietilene

12. I super alcolici devono essere conservati in posizione verticale in contenitori ben chiusi. Non conservare mai prodotti che contengono gas propellenti infiammabili (ad esempio erogatori di crema, bombolette spray, ecc.) o sostanze esplosive. Sono a rischio di esplosione.

Controllo e regolazione della temperatura

Le temperature di funzionamento vengono regolate con la manopola del termostato e possono essere impostate tra i valori 1 e 5 (la posizione più fredda).

Se la manopola del termostato è nella posizione "0" l'elettrodomestico è spento. In tal caso la luce interna non si illuminerà.

La temperatura media all'interno del frigo dovrebbe essere intorno a +5°C (+41°F).

Pertanto regolare il termostato per ottenere la temperatura desiderata. Alcune sezioni del frigorifero possono essere più calde o più fredde

(come lo scomparto per l'insalata e la parte superiore dell'armadietto) il che è normale. Si consiglia di controllare periodicamente la temperatura con un termometro per garantire che l'armadietto mantenga questa temperatura. Aperture frequenti dello sportello causano l'innalzamento della temperatura interna, pertanto si consiglia di chiudere lo sportello appena possibile dopo l'utilizzo.

Prima della messa in funzione

Controllo finale

Prima di cominciare a utilizzare l'elettrodomestico controllare che:

1. I piedi siano stati regolati per un livellamento perfetto.
2. L'interno sia asciutto e l'aria circoli liberamente nella parte posteriore.
3. L'interno sia pulito come consigliato nel capitolo "Pulizia e manutenzione".
4. La spina sia stata inserita nella presa a muro e l'elettricità sia accesa. Quando lo sportello è aperto la luce interna è accesa.

Si noti che:

5. Si udrà un rumore quando il compressore si avvia. I liquidi e i gas sigillati nel sistema refrigerante possono produrre dei rumori, che il compressore sia in funzione o meno. Ciò è abbastanza normale.
6. La leggera ondulazione della parte superiore dell'armadietto è abbastanza normale a causa del processo di fabbricazione utilizzato: non si tratta di un difetto.
7. Si consiglia di impostare la manopola del termostato a metà strada e di monitorare la temperatura per assicurare che l'elettrodomestico mantenga la temperatura di conservazione desiderata (vedere il capitolo Controllo e regolazione della temperatura).
8. Non caricare l'elettrodomestico appena lo si accende. Attendere finché non viene raggiunta la temperatura di conservazioni corretta. Si consiglia di controllare la temperatura con un termometro di precisione (vedere il capitolo Controllo e regolazione della temperatura).

Conservazione di cibo congelato

Il freezer è adatto alla conservazione a lungo termine di cibi congelati disponibili in commercio e può essere inoltre utilizzato per congelare e conservare cibi freschi.

In caso di interruzione di alimentazioni, non aprire lo sportello. Il cibo congelato non verrà danneggiato se la mancanza di alimentazione dura meno di 19 ore.

Se dura di più, è necessario controllare il cibo e mangiarlo immediatamente o cuocerlo e quindi congelarlo di nuovo.

Congelamento di cibi freschi

Attenersi alle seguenti istruzioni per ottenere i risultati migliori.

Non congelare quantità troppo grandi in una volta sola. La qualità del cibo viene preservata in modo ottimale quando il cibo viene congelato il più velocemente possibile.

Non superare la capacità di congelamento dell'elettrodomestico in 24 ore.

Il posizionamento di cibi caldi nello scomparto freezer provoca il funzionamento continuo del refrigeratore finché il cibo non si solidifica. Ciò può causare un raffreddamento temporaneo eccessivo dello scomparto di refrigerazione.

Quando si congela cibo fresco, tenere la manopola del termostato in una posizione intermedia. È possibile congelare piccole quantità di cibo fino a 1/2 kg. (1 lb) senza regolare la manopola della temperatura. Fare attenzione a non mescolare cibi già congelati e cibi freschi.

Preparazione dei cubetti di ghiaccio

Riempire la vaschetta per cubetti di ghiaccio per 3/4 con acqua e metterla nel freezer.

Allentare la vaschetta congelata con un cucchiaino o un attrezzo simile; non utilizzare mai oggetti appuntiti come coltelli o forchette.

Sbrinamento

A) Scomparto frigo

Lo scomparto frigo si sbrina automaticamente. L'acqua di sbrinamento scorre nel tubo di scarico tramite un contenitore di raccolta posizionato nella parte posteriore dell'elettrodomestico (**elemento 5**).

Durante lo sbrinamento, possono formarsi goccioline d'acqua nella parte posteriore dello scomparto frigo in cui è posto un evaporatore nascosto. Alcune goccioline possono rimanere sul bordo e congelarsi di nuovo al termine dello sbrinamento. Non utilizzare oggetti appuntiti come coltelli o forchette per

rimuovere le goccioline ricongelate. Se in qualsiasi momento l'acqua di sbrinamento non viene scaricata dal canale di raccolta, controllare che il tubo di scarico non sia stato ostruito da particelle di cibo. È possibile pulire il tubo di scarico con un pulitore per tubi o un attrezzo analogo. Controllare che il tubo sia collocato in modo stabile con l'estremità nel vassoio di raccolta sul compressore per evitare che l'acqua spruzzi sull'installazione elettrica o sul pavimento (**elemento 6**).

B) Scomparto freezer

Lo sbrinamento è diretto e senza problemi, grazie a un bacino speciale di raccolta per lo sbrinamento.

Sbrinare due volte all'anno o quando si crea uno spessore di ghiaccio di circa 7 mm (1/4").

Per avviare la procedura di sbrinamento, spegnere l'elettrodomestico sulla presa e scollegare il cavo di alimentazione.

Tutto il cibo deve essere incartato in diversi strati di carta di giornale e conservato in un luogo fresco (ad esempio un frigorifero o una dispensa).

È possibile porre con attenzione contenitori di acqua calda nel freezer per accelerare lo sbrinamento.

Non utilizzare oggetti appuntiti come coltelli o forchette per rimuovere il ghiaccio.

Non utilizzare mai asciugacapelli, stufe o altri elettrodomestici simili per lo sbrinamento.

Pulire via l'acqua di sbrinamento raccolta nella parte inferiore dello scomparto freezer. Dopo lo sbrinamento, asciugare completamente l'interno. Inserire la spina nella presa a muro e accendere l'alimentazione elettrica.

Sostituzione della lampadina interna

Per cambiare lampadina/LED utilizzati per illuminare il frigorifero, rivolgersi al Servizio Assistenza Autorizzato.

La lampada (le lampade) usata (usate) nell'apparecchiatura non è (sono) adatta (adatte) per l'illuminazione domestica.

L'obiettivo previsto per questa lampada è quello di assistere l'utente in fase di posizionamento degli alimenti all'interno del frigorifero / congelatore in modo sicuro e comodo.

Le lampadine utilizzate in questo apparecchio devono sopportare condizioni fisiche estreme come temperature inferiori a -20°C.

Pulizia e manutenzione

1. Si consiglia di spegnere l'elettrodomestico dalla presa e di scollegare il cavo di alimentazione prima di pulire.

2. Non utilizzare mai attrezzi appuntiti o sostanze abrasive, saponi, detergenti per la casa o cere per la pulizia.

3. Utilizzare acqua tiepida per pulire l'armadietto del dispositivo e asciugarlo.

4. Utilizzare un panno umido intriso di una soluzione composta da un cucchiaino di bicarbonato di soda e da circa mezzo litro di acqua e pulire l'interno, quindi asciugare.

5. Assicurarci che l'acqua non penetri nel quadro di comando della temperatura.

6. Se l'elettrodomestico non viene usato per un lungo periodo di tempo, spegnerlo, togliere tutti gli alimenti dal suo interno, pulirlo e lasciare lo sportello aperto.

7. Si consiglia di pulire le parti metalliche del prodotto (ad esempio l'esterno dello sportello e i lati dell'armadietto) con una cera al silicone (lucidante per auto) per proteggere la finitura della vernice di alta qualità.

8. La polvere che si raccoglie sul condensatore, che si trova sul retro dell'elettrodomestico, deve essere rimossa una volta all'anno con un aspirapolvere.

9. Controllare le guarnizioni dello sportello periodicamente per garantire che siano pulite e che non siano presenti particelle di cibo.

10. Non:

- Pulire l'elettrodomestico con sostanze non adatte ad esempio prodotti a base di petrolio.
- Esporre mai ad alte temperature in alcun modo.

- Strofinare, sfregare o simili con sostanze abrasive.

11. Rimozione del coperchio dello scomparto latticini e del vassoio dello sportello:

- Per rimuovere il coperchio dello scomparto latticini, sollevare prima il coperchio di circa tre centimetri ed estrarlo lateralmente dove si trova un'apertura sul coperchio.

- Per rimuovere il vassoio dello sportello, rimuovere tutto il contenuto e spingere semplicemente il vassoio verso l'alto.
12. Verificare che il contenitore speciale in plastica sul retro dell'elettrodomestico che raccoglie l'acqua di sbrinamento sia sempre pulito. Per rimuovere il vassoio per pulirlo, attenersi alle istruzioni seguenti:
- Spegnere la presa di corrente ed estrarre la spina di rete.
 - Aprire delicatamente la borchia sul compressore utilizzando un paio di pinze in modo che sia possibile rimuovere il vassoio
 - Sollevarlo.
 - Pulire e asciugare
 - Rimontare invertendo la sequenza delle operazioni
13. Un grande accumulo di ghiaccio influenzerà negativamente le prestazioni del freezer.

Riposizionamento dello sportello

Procedere seguendo l'ordine numerico (Elemento 7).

Cosa fare e cosa non fare

- Sì** - Pulire e sbrinare periodicamente l'elettrodomestico (vedere "Sbrinamento")
- Sì** - Conservare la carne e il pollame crudi sotto il cibo cotto e i prodotti caseari.
- Sì** - Togliere le foglie delle verdure non utilizzabili ed eliminare eventuale terra.
- Sì** - Lavare lattuga, cavolo, prezzemolo e cavolfiore su gambo.
- Sì** - Avvolgere i formaggi prima in carta a prova di grasso e quindi in una bustina in polietilene, escludendo l'aria quanto più possibile. Per migliori risultati estrarre il cibo dal frigorifero un'ora prima di mangiarlo.
- Sì** - Incartare la carne e il pollame crudi in fogli di polietilene o alluminio. In tal modo si evita la secchezza.
- Sì** - Avvolgere il pesce e le interiora in bustine in polietilene.
- Sì** - Avvolgere i cibi con odore forte o che possono seccarsi in bustine di polietilene o in fogli di alluminio oppure riporli in contenitori a tenuta d'aria.
- Sì** - Incartare bene il pane per conservarne la freschezza.
- Sì** - Raffreddare vini bianchi, birra, birra chiara e acqua minerale prima di servirli.
- Sì** - Controllare il contenuto del freezer frequentemente.
- Sì** - Conservare il cibo per brevi periodi come possibile e attenersi alle date di scadenza.
- Sì** - Conservare i cibi congelati in commercio seguendo le istruzioni presenti sulla confezione.
- Sì** - Scegliere sempre cibo fresco di alta qualità e assicurarsi che sia completamente pulito prima di congelarlo.
- Sì** - Preparare il cibo fresco per il congelamento in piccole porzioni per assicurare un congelamento rapido.
- Sì** - Incartare tutti i cibi in foglie di alluminio o in sacchetti in polietilene per freezer e assicurarsi di avere eliminato l'aria.
- Sì** - Avvolgere i cibi congelati subito dopo l'acquisto e metterli nel freezer appena possibile.
- Sì** - Scongelare i cibi nello scomparto frigo.
- No** - Non conservare banane nello scomparto frigo.
- No** - Non conservare melone nel frigo. Può essere raffreddato per brevi periodi purché incartato per evitare che l'aroma contami gli altri cibi.
- No** - Non coprire le mensole con sostanze protettive che possono ostruire la circolazione dell'aria.
- No** - Non conservare sostanze velenose o pericolose nell'elettrodomestico. È stato progettato solo per la conservazione di cibi commestibili.
- No** - Non consumare cibo che è stato raffreddato per troppo tempo.
- No** - Non conservare cibi freschi e cotti insieme, nello stesso contenitore. Devono essere confezionati e conservati separatamente.
- No** - Non consentire a cibi scongelati o succhi di sgocciolare nei cibi.
- No** - Non lasciare lo sportello aperto per lunghi periodi poiché il funzionamento dell'elettrodomestico diventa più costoso e causa un'eccessiva formazione di ghiaccio.

- No** - Non usare mai oggetti con bordi taglienti come coltelli o forchette per rimuovere il ghiaccio.
- No** - Non introdurre cibi caldi nell'elettrodomestico. Attendere prima che si raffreddino.
- No** - Non inserire bottiglie riempite di liquidi o barattoli di latta contenenti liquidi carbonati nel freezer in quanto possono scoppiare.
- No** - Non superare il carico massimo di congelamento durante il congelamento di cibi freschi.
- No** - Non dare ai bambini gelati e ghiaccio presi direttamente dal freezer. La bassa temperatura può provocare bruciate da freddo alle labbra.
- No** - Non congelare bevande gasate.
- No** - Non tentare di conservare cibi congelati che si sono scongelati; devono essere mangiati entro 24 ore o cucinati e ricongelati.
- No** - Non rimuovere il cibo dal freezer con le mani bagnate.

Risoluzione dei problemi


Se l'elettrodomestico non funziona quando è acceso, controllare:

- che la spina sia inserita correttamente nella presa e che l'alimentazione sia accesa (per controllare l'alimentazione della presa, collegare ad essa un altro elettrodomestico).
- se il fusibile è bruciato/l'interruttore di distribuzione è spento.
- che il comando della temperatura sia impostato correttamente.
- che la nuova spina sia cablata correttamente se è stata cambiata la spina.

Se l'elettrodomestico ancora non funziona dopo i controlli elencati in precedenza, contattare il distributore presso il quale è stata acquistata l'unità.

rarsi di aver effettuato questi controlli poiché verrà richiesto un sovrapprezzo se non viene trovato alcun guasto.



Il simbolo  sul prodotto o sulla confezione indica che questo prodotto non può essere trattato come normale rifiuto domestico. Invece deve essere portato al punto di raccolta adatto per il riciclaggio delle apparecchiature elettriche ed elettroniche. Assicurando il corretto smaltimento di questo prodotto, si evitano potenziali conseguenze negative per l'ambiente e la salute, che potrebbero derivare da una gestione inappropriata del prodotto. Per informazioni più dettagliate sul riciclaggio di questo prodotto, contattare l'ufficio cittadino locale, il servizio di smaltimento dei rifiuti domestici o il negozio dove è stato acquistato il prodotto.

Вітаємо вас з придбанням високоякісного холодильника **ВЕКО** Вам служити тривалий час.

Безпека перш за все!

Не вмикайте холодильник до електромережі, доки не приберете всю упаковку і транспортувальні кріплення.

- Якщо ви перевозили холодильник у горизонтальному положенні,

Не вмикайте його після розпакування принаймні 4 години, для того, щоб всі системи прийшли до норми.

- Якщо ви викидаєте старий холодильник, і в нього на дверях є замок чи засув, впевніться, що вони в робочому стані, щоб діти граючись, випадково не опинилися в ньому зачиненими.

- Холодильник має використовуватись лише за призначенням.

- Позбуваючись старого холодильника, не намагайтесь його спалити. В теплоізоляції холодильника використовуються займісті матеріали. Ми радимо вам зв'язатися з місцевими органами влади для отримання інформації стосовно того, куди можна викинути старий холодильник.

- Ми не рекомендуємо користуватися холодильником в неопалюваному, холодному місці (наприклад, гаражі, на складі, в прибудові, під навісом, у надвірній прибудові і т.н.) Щоб забезпечити максимально ефективну і безперебійну роботу холодильника, дуже важливо уважно прочитати цю інструкцію. Поламка холодильника в результаті недотримання наших рекомендацій може позбавити Вас права на безкоштовне обслуговування впродовж гарантійного періоду.

Будь ласка, зберігайте цю інструкцію в надійному місці, щоб її можна було легко знайти в разі необхідності.

Оригінальні запасні частини будуть постачатися протягом 10 років з моменту придбання виробу.

Пристрій не призначений для використання людьми зі зниженими фізичними або розумовими здібностями, а також порушеннями чутливості. Люди, що не мають досвіду поводження з даними пристроєм, можуть використовувати його лише під наглядом досвідчених осіб, відповідальних за безпеку. Використання пристрою дітьми також має відбуватися під контролем дорослих.

Вимоги до електропостачання

Перед тим, як вставити штепсель до електричної розетки, впевніться, що напруга і частота струму, вказані на заводській марці всередині холодильника, відповідають напрузі та частоті струму у Вашому будинку. Ми рекомендуємо підключати холодильник до електромережі через розетку, належним чином встановлену у легкодоступному місці.

Увага! Холодильник має бути заземлений. Ремонт електричного обладнання має виконуватися лише кваліфікованим спеціалістом. Неправильний ремонт, виконаний некваліфікованою людиною, пов'язаний з ризиком і холодильник може стати небезпечним в експлуатації.

Увага!

В системі охолодження холодильника циркулює газ R600a, що не має шкідливого впливу на навколишнє середовище, але легко займається. Під час транспортування та встановлення холодильника намагайтесь не пошкодити систему охолодження. Якщо пошкодження таки сталося і має місце витік газу з системи охолодження, слідкуйте за тим, щоб поряд із холодильником не було джерел відкритого вогню добре провітрить приміщення.

УВАГА - Не користуйтеся жодними механічними пристосуваннями окрім тих, що рекомендуються в цій інструкції для прискорення розморожування холодильника та очищення морозильної камери від льоду.

УВАГА - Не допускайте пошкоджень системи охолодження.

УВАГА - Не встановлюйте всередині холодильника електричних пристосувань, окрім тих, що рекомендовані виробником холодильника.

УВАГА - Для запобігання нещасним випадкам, якщо шнур живлення пошкоджений, його має замінити виробник, його спеціаліст з сервісу чи інша особа, котра має аналогічну кваліфікацію.

Інструкція з транспортування

1. Холодильник має транспортуватися лише у вертикальному стані.

Заводська упаковка під час транспортування має залишитись непошкодженою.

2. Якщо холодильник під час транспортування був розміщений горизонтально, ним не слід користуватися принаймні 4 години, щоб всі його системи прийшли до норми.

3. Виробник не несе відповідальності за пошкодження холодильника, якщо порушуються вищезгадані рекомендації.

4. Холодильник має бути захищений від дощу, вологи та інших атмосферних впливів.

Важливе зауваження!

- Слід бути обережними під час чистки або переміщення холодильника і не торкатися металічних частин конденсатора в задній частині холодильника, бо в результаті можна пошкодити пальці та руки.
- Не сідайте і не ставайте на холодильник. Він для цього не призначений. Ви можете отримати травму чи пошкодити холодильник.
- Впевніться, що електричний провід не потрапив під холодильник під час і після переміщення холодильника, інакше його можна пошкодити.
- Не дозволяйте дітям гратися з холодильником або гратися з ручками чи кнопками керування.

Інструкція зі встановлення

1. Не ставте холодильник в приміщенні, де температура може опускатися нижче 10 °C вночі або, особливо, взимку, оскільки холодильник розрахований на роботу за температури навколишнього середовища в межах від +10 до +38 °C. За більш низької температури холодильник може не працювати і термін зберігання продуктів в ньому має бути скорочений.

2. Не встановлюйте холодильник поблизу від кухонних плит або радіаторів опалення чи на прямому сонячному світлі, оскільки це викличе додаткове навантаження на агрегати холодильника. Якщо ви змушені встановлювати холодильник поряд із джерелом тепла або морозильником, забезпечте наступну мінімальну відстань: від кухонних плит 30 мм від радіаторів опалення 300 мм від морозильників 25 мм

3. Намагайтесь, щоб навколо холодильника було достатньо вільного місця і повітря вільно циркулювало (**див. мал. 2**).

• Встановіть вентиляційну кришку на задньому боці холодильника для того, Щоб забезпечити необхідну відстань між холодильником і стіною (**див. мал. 3**).

4. Холодильник має стояти на рівній поверхні. Дві передні ніжки мають бути відповідним чином відрегульовані. Щоб досягти суворо вертикального положення холодильника, відрегулюйте ніжки, обертаючи їх за або проти годинникової стрілки, доки вони не будуть стійко стояти на підлозі.

Правильне регулювання ніжок холодильника попереджує надмірну вібрацію та шум (**див. мал. 4**).

5. Зверніться до розділу “Чищення холодильника і догляд за ним”, щоб підготувати холодильник до експлуатації.

Загальні відомості про

холодильник:

(Мал. 1)

- 1 - Полочка морозильної камери
- 2 - Вентилятор
- 3 - Коробка термостату та лампочка внутрішнього освітлення
- 4 - Знімні полицки
- 5 - Полки для бутыллок (горизонтальные)
- 6 - Жолоб для стікання конденсату
- 7 - Кришка ящика для овочів
- 8 - Ящики для овочів
- 9 - Регульовані ніжки
- 10 - Відділення для молочних продуктів
- 11 - Полиця для банок
- 12 - Полочка для пляшок

Рекомендований спосіб розміщення продуктів у холодильнику.

Рекомендації з оптимального зберігання та дотримання санітарних норм:

1. Холодильне відділення призначене для нетривалого зберігання свіжих продуктів та напоїв.

2. Морозильна камера має заморожуючу здатність в три зірочки і призначена для зберігання заморожених продуктів.

Рекомендації зі зберігання заморожених продуктів вказані на їх упакуванні і їх слід дотримуватися в усіх випадках.

3. Приготовані страви мають зберігатися в щільно закритому посуді.

4. Свіжі продукти в упаковці можна зберігати на полиці. Свіжі фрукти та овочі мають бути чистими та зберігатися в ящику для овочів.

5. Пляшки можна зберігати у спеціальному відділенні на дверях.

6. Сире м'ясо зберігайте у поліетиленових пакетах на найнижчій полиці. Не допускайте контакту сирого м'яса з готовими стравами, щоб уникнути зараження. З метою безпеки зберігайте сире м'ясо лише два-три дні.,

7. Для максимально ефективної роботи холодильника, знімні полицки не повинні бути накріті папером або іншим матеріалом, що перешкоджає вільній циркуляції холодного повітря.

8. Не тримайте рослинну олію на полицях з внутрішньої сторони дверцят. Зберігайте продукти загорнутими, упакованими або під кришкою.

Охолодіть гарячі продукти або напої перш ніж ставити їх в холодильник. Відкриті консерви не повинні зберігатися у консервних банках.

9. Не можна заморожувати газовані напої, а лід з ароматизованої води не варто вживати надто холодним.

10. Деякі овочі та фрукти псуються від температури, близької до 0° С. Тому тримайте ананаси, диню, огірки, томати та інші подібні продукти у поліетиленових пакетах.

11. Міцні спиртні напої повинні зберігатися у вертикальних, щільно закритих ємкостях. Ніколи не зберігайте у холодильнику продукти, що містять легкозаймистий газ (наприклад, вершки з розпилювачем, консерви в аерозольному упакуванні і т.п.) або вибухові речовини.

Це може бути небезпечно.

Регулювання температури.

Температура всередині холодильника регулюється ручкою термостату, що може бути встановлена в будь-яке положення між 1 і 5 (максимально низька температура).

Середня температура всередині холодильного відділення має бути +5 °С. Тому встановіть термостат в положення, що забезпечить потрібну температуру. В різних місцях всередині холодильного відділення (наприклад, ящика для овочів або у верхній частині відділення) температура може бути вище або нижче, що цілком нормально.

Ми радимо періодично перевіряти точним термометром чи зберігається всередині холодильника потрібна температура. В разі частого відчинення дверцят холодне повітря виходить з холодильника і температура всередині підвищується, тому не залишайте дверцята відчиненими і намагайтеся зачиняти їх якомога швидше.

Перед початком роботи

Остання перевірка

Перед початком експлуатації холодильника перевірте наступне:

1. Передні ніжки мають бути відрегульовані так, щоб забезпечувати стійке положення холодильника.
2. Всередині холодильника має бути сухо, повітря за ним повинно циркулювати вільно.
3. Холодильник всередині має бути чисто вимитим, як рекомендується у розділі, "Чищення холодильника і догляд за ним".
4. Штепсель повинен бути вставлений у розетку та електричний струм ввімкнутий. Коли відчиняються дверцята холодильного відділення, має загорятись лампочка внутрішнього освітлення.

Зверніть увагу на те, що:

5. Ви будете чути шум при ввімкненні компресора. Рідина та газ всередині системи охолодження також можуть створювати деякий шум, незалежно від того, працює компресор чи ні. Це цілком нормально.
6. Верхня частина буде трохи вібрувати. Це нормально і не є дефектом.

7. Ми радимо встановити термостат в середнє положення і деякий час спостерігати за температурою, щоб пересвідчитись, що холодильник підтримує потрібну температуру зберігання (див. розділ «Регулювання температури»).

8. Не завантажуйте холодильник одразу після ввімкнення. Зачекайте, доки всередині не встановиться потрібна температура. Ми радимо перевіряти температуру точним термометром (див. розділ «Регулювання температури»).

Зберігання заморожених продуктів

Холодильник розрахований на тривале збереження харчових продуктів, заморожених промисловим способом, а також може бути використаний для замороження і зберігання свіжих продуктів. В разі перебоїв із електропостачанням не відкривайте дверцята холодильника. Заморожені продукти не постраждають, якщо електропостачання перервано менше, ніж на 19 годин.

Якщо струму немає більш тривалий час, то слід перевірити продукти, що зберігаються і негайно використати їх або проварити і заморозити знову.

Заморожування свіжих продуктів

Не заморожуйте продукти одразу в надто великій кількості за один раз.

Продукти краще зберігаються, якщо вони проморожені наскрізь максимально швидко. Не перевантажуйте морозильну камеру більше, ніж на добу.

Якщо покласти до морозильної камери теплі продукти, то агрегати холодильника повинні будуть працювати безперервно, поки продукти не заморозяться. На якийсь час це призведе до надмірного зниження температури в холодильному відділенні. Заморожуючи свіжі продукти, встановлюйте термостат в середнє положення. Невеликі порції продуктів (до 0,5 кг) можна заморожувати без зміни положення термостату.

Особливо ретельно слідкуйте за тим, щоб не зберігати разом заморожені та свіжі продукти.

Заморожування льоду

Заповніть лоток для льоду водою на 3/4 і помістіть його у морозильне відділення. Діставайте кубики льоду ручкою ложки або іншим подібним інструментом; ніколи не користуйтеся гострими або ріжучими предметами.

Розморозування:

А) Холодильне відділення

Холодильне відділення розморозжується автоматично. Тала вода стікає до дренажної трубки через накопичувальний контейнер в задній частині холодильника. (див. мал. 5).

Під час розморозування краплі води можуть накопичуватися у задній частині холодильного відділення, де розміщений прихований випаровувач. Вони можуть залишитися на стінці випаровувача, де повторно замерзнуть, коли закінчиться розморозування. Не видаляйте замерзлі краплі гострими або ріжучими предметами на зразок ножів або виделок. Якщо в якусь мить ви побачите, що тала вода не витікає з накопичувального контейнера, перевірте, чи не забила дренажна трубка в результаті потрапляння частинок продуктів. Дренажну трубку можна продути будь-яким пристроєм для прочистки.

В) Морозильна камера

Морозильна камера розморозжується дуже просто і без зайвого клопоту завдяки наявності спеціального піддону для збирання талої води.

Розморозуйте камеру двічі на рік або коли накопичиться шар наморозі товщиною до 7 мм. Щоб розпочати розморозування, вимкніть холодильник з мережі, витягнувши штепсель з електричної розетки.

Всі продукти слід загорнути в кілька шарів паперу і скласти в прохолодному місці (наприклад, холодильнику або коморі). Для того, щоб прискорити розморозування, можна поставити до морозильної камери ємність з теплою водою.

Не користуйтеся гострими або ріжучими предметами, на зразок ножів або виделок для того, щоб видалити наморозь. Ніколи не користуйтеся феном, електричним обігрівачем або будь-яким іншим електричним приладом для розморозження.

Видаліть губкою талу воду, що зібралась на дні морозильної камери. Після розморозування витріть насухо внутрішню поверхню камери.

Вставте штепсель в розетку і ввімкніть холодильник.

Заміна лампочки всередині холодильника

Для заміни лампи освітлення холодильника зверніться до авторизованого сервісного центру.

Ламп(и) з цього пристрою не призначена(і) для освітлення кімнати. Призначення цієї лампи - полегшити розташування продуктів у холодильнику / морозильнику безпечним та зручним чином.

Лампи, що використовуються у цьому пристрої, повинні витримувати важкі умови експлуатації, такі як температура нижче - 20°C.

Чищення холодильника і догляд за ним

1. Ми радимо вам вимикати холодильник вимикачем і витягувати штепсель з електричної розетки перед чищенням.
2. Ніколи не користуйтеся для чищення холодильника гострими інструментами або абразивними матеріалами, милом, побутовими засобами для чищення, м'якими або поліруючими засобами.
3. Для чищення корпусу холодильника користуйтеся теплою водою і витирайте його насухо.
4. Змочіть ганчірку у розчині харчової соди (одна чайна ложка на півлітра води) для того, щоб вимити холодильник всередині, і протріть всі поверхні насухо.

5. Слідкуйте за тим, щоб вода не потрапляла до коробки термостату.
6. Якщо ви не збираєтесь користуватися холодильником тривалий час, вимкніть його, заберіть з нього всі продукти, вимийте зсередини та залишіть дверцята не причиненими
7. Ми радимо Вам полірувати металеві частини корпусу (тобто зовнішню поверхню дверей, бокові стінки) силіконовою мастикою (автомобільний поліроль) для того, щоб зберегти високу якість пофарбування.
8. Пил, що збирається на конденсаторі, розташованому в задній частині холодильника, слід раз на рік видаляти пилососом.
9. Регулярно перевіряйте ущільнення дверцят, щоб пересвідчитися, що воно чисте і на ньому немає залишків продуктів.
10. Ніколи:
 - не чистіть холодильник не призначеними для цього засобами, такими, як наприклад, речовини, що містять бензин;
 - не піддавайте холодильник впливу високої температури;
 - не мийте, не протирайте і т.п. холодильник, використовуючи абразивні матеріали.
11. Слідкуйте за тим, щоб пластмасовий лоток, розташований у задній частині холодильника для збирання талої води був завжди чистим. Якщо вам треба витягнути його, щоб помити, дотримуйтесь наведених нижче рекомендацій:
 - вимкніть вимикач біля лампочки і витягніть штепсель з розетки;
 - обережно розігніть плоскогубцями заціпку на компресорі, щоб
12. Для того, щоб витягнути висувний ящик, потягніть його на себе до кінця, при підніміть і витягніть зовсім.

Перенавішування дверцят

Виконайте дії в послідовності, вказаній на схемі (Мал. 7).

Що слід і чого не можна робити

- Слід** - регулярно чистити і розморожувати холодильник (див. розділ «Розморожування»)
- Слід** - зберігати сире м'ясо і птицю на нижніх полицях, під полицями, на яких стоять готові страви та молочні продукти.
- Слід** - очищати овочі від землі та видаляти невикористовуване листя.
- Слід** - не відрізати листя салату та петрушки від коренів, а звичайну та кольорову капусту від качана.
- Слід** - сир спершу загортати у пергаментний папір, а потім класти до поліетиленового пакету, видаляючи з пакету все повітря. Для поліпшення смакових якостей сиру, рекомендується діставати його з холодильника за годину до вживання.
- Слід** - класти сире м'ясо та птицю до поліетиленового пакету або алюмінієвої фольги, не загортаючи сильно. Це запобігає висушуванню.
- Слід** - класти рибу та тельбухи до поліетиленового пакету.
- Слід** - загортати продукти, що мають сильний запах, чи продукти, що можуть висохнути, у поліетиленовий пакет або алюмінієву фольгу чи зберігати їх в щільно закритому посуді.
- Слід** - ретельно запаковувати хліб, щоб зберегти його свіжим.
- Слід** - охолоджувати білі вина, пиво та мінеральну воду перед вживанням.
- Слід** - частіше перевіряти продукти, що зберігаються у морозильній камері.
- Слід** - зберігати продукти впродовж якомога меншого часу і суворо дотримуватися термінів зберігання.
- Слід** - зберігати готові заморожені продукти відповідно до інструкцій, вказаних на упаковці.
- Слід** - завжди вибирати свіжі продукти високої якості і ретельно мити їх перед замороженням.
- Слід** - ділити свіжі продукти на маленькі порції, щоб вони швидше заморожувались.
- Слід** - загортати всі продукти в алюмінієву фольгу або спеціальні поліетиленові пакети для морозильника і видаляти з упаковки все повітря.
- Слід** - якомога скоріше загортати щойно куплені заморожені продукти і класти їх до морозильної камери.
- Слід** - розморожувати заморожені продукти у холодильному відділенні.

Не слід - зберігати у холодильнику банани.

Не слід - зберігати в холодильнику диню. Її можна охолодити впродовж короткого часу, якщо вона загорнута так, щоб її запахом не пропахли інші продукти.

Не слід - закривати полиці будь-якими захисними матеріалами, що можуть перешкоджати циркуляції повітря.

Не слід - зберігати в холодильнику отруйні або небезпечні речовини.

Холодильник призначений лише для зберігання харчових продуктів.

Не слід - вживати продукти, що зберігалися в холодильнику понад припустимий час.

Не слід - зберігати разом в одному посуді готові страви та свіжі продукти. Вони мають бути покладені до різних контейнерів і зберігатися окремо.

Не слід - допускати, щоб рідина з продуктів, що розморожуються, крапала на інші продукти, які зберігаються в холодильнику.

Не слід - залишати дверцята холодильника відчиненими впродовж тривалого часу, бо це призведе до додаткових витрат в його експлуатації.

Не слід - використовувати гострі або ріжучі предмети, на кшталт ножів або виделок для видалення наморозі.

Не слід - ставити до холодильника гарячі продукти. Треба спершу дати їм прохолоннути.

Не слід - класти до морозильної камери пляшки, наповнені водою, або не відкриті банки газованої води, бо вони можуть розірватися.

Не слід - переповнювати надміру морозильну камеру під час замороження свіжих продуктів.

Не слід - давати дітям морозиво або фруктову воду прямо з морозильної камери. Вони можуть обморозити губи.

Не слід - заморожувати газовані напої.

Не слід - тривалий час зберігати розморожені продукти, їх треба використати впродовж доби або проварити і заморозити знов.


Не слід - діставати продукти з холодильника мокрими руками.

Усунення несправностей

Якщо холодильник не працює, коли його ввімкнено, пересвідчіться:

- що штепсель вставлений до електричної розетки правильно і що електричний струм не вимкнений. (Для перевірки наявності струму ввімкніть до цієї розетки інший прилад);
 - що не згорів запобіжник, не вимкнувся вимикач, чи не вимкнений головний вимикач на розподільчому щитку;
 - що регулятор температури встановлений вірно;
 - що новий штепсель, що використовується замість заводського, поставлений вірно.
- Якщо холодильник все ще не працює після того, як Ви виконали перераховані вище перевірочні дії, порадьтеся із продавцем, в якого ви придбали холодильник.
- Будь ласка, пересвідчіться, що перевірили все, що могли, бо в іншому разі може виявитися, що Вам доведеться платити гроші, якщо пошкоджень не буде виявлено.



Символ  на виробі чи упаковці вказує, що цей прилад не слід утилізувати з побутовими відходами. Натомість його треба здати у відповідний пункт збору для утилізації електричного та електронного обладнання. Забезпечуючи належну утилізацію цього приладу, ви сприятимете запобіганню потенційним негативним наслідкам для довкілля та здоров'я людини, які можуть бути спричинені неправильним ставленням до утилізації цього виробу. За докладнішою інформацією щодо утилізації цього виробу зверніться до місцевої адміністрації, служби утилізації побутових відходів або до магазину, в якому ви придбали прилад.

**Виробник: 'S.C. Arctic S.A.',
Gaesti, str.13 Desembrer №210,
Romania (Румунія)**

**Офіційний представник на території
України: ТОВ «Беко Україна»,
адреса: 01021, м. Київ,
вул. Кловський узвіз,
буд. 5 тел/факс.: 0-800-500-4-3-2**

Термін служби 10 років

Дата виробництва міститься в серійному номері продукту, що вказаний на етикетці, розташованій на продукті, а саме, перші дві цифри серійного номера позначають рік виробництва, а останні дві - місяць. Наприклад, «10-100001-05» означає, що продукт виготовлений в травні 2010 року. Інформацію про сертифікацію продукту Ви можете уточнити, зателефонувавши на гарячу лінію 0-800-500-4-3-2.

Поздравляем Вас с покупкой высококачественного холодильника **ВЕКО**, который будет служить Вам долгое время.

Безопасность прежде всего!

Не включайте холодильник в электросеть до тех пор, пока не удалите всю упаковку и транспортировочные крепления.

- Если Вы перевозили холодильник в горизонтальном положении, не включайте его после распаковки по крайней мере 4 часа для того, чтобы все системы пришли в норму.
- Если Вы выбрасываете старый холодильник, и у него на двери есть замок или задвижка, убедитесь, что они в исправном состоянии, чтобы дети, играя, случайно не оказались в нем запертыми.
- Холодильник должен использоваться только по назначению.
- Избавляясь от старого холодильника, не пытайтесь его сжечь. В теплоизоляции холодильника используются горючие материалы. Мы советуем Вам связаться с местными органами власти для получения информации относительно того, куда можно выбросить старый холодильник.
- Мы не рекомендуем пользоваться холодильником в неотапливаемом, холодном месте (например, в гараже, на складе, в пристройке, под навесом, в надворной постройке и т.п.).

Чтобы обеспечить максимально эффективную и бесперебойную работу холодильника, очень важно внимательно прочитать эту инструкцию. Поломка холодильника в результате несоблюдения наших рекомендаций может лишить Вас права на бесплатное обслуживание в течение гарантийного периода.

Пожалуйста, храните эту инструкцию в надежном месте, чтобы ее легко можно было найти в случае необходимости.

Оригинальные запасные части будут предоставлены в течение 10 лет с момента покупки изделия.

Устройство не предназначено для использования людьми со сниженными физическими или умственными способностями, а также нарушениями чувствительности. Люди, не имеющие опыта обращения с данным устройством, могут использовать его только под наблюдением опытных лиц, ответственных за безопасность.

Использование устройства детьми также должно происходить под контролем взрослых.

Требования к электропитанию

Перед тем, как вставить штепсель в электрическую розетку убедитесь, что напряжение и частота тока, указанные на заводской марке внутри холодильника, соответствуют напряжению и частоте тока в электросети вашего дома.

Мы рекомендуем подключать холодильник к электросети через розетку, должным образом установленную в легко доступном месте.

Внимание! Холодильник должен быть заземлен

Ремонт электрического оборудования должен выполняться только квалифицированным специалистом. Неправильный ремонт, выполненный неквалифицированным человеком, сопряжен с риском, и холодильник может стать опасным в эксплуатации.

ВНИМАНИЕ!

В системе охлаждения холодильника циркулирует газ R600a, который не оказывает вредного воздействия на окружающую среду, но легко воспламеняется. Во время транспортировки и установки холодильника старайтесь не повредить систему охлаждения. Если все же повреждение произошло и имеет место утечка газа из системы охлаждения, следите за тем, чтобы рядом с холодильником не было источника открытого огня, и хорошенько проветрите помещение.

ВНИМАНИЕ – Не пользуйтесь никакими механическими приспособлениями, кроме тех, что рекомендуются в настоящей инструкции, для ускорения размораживания холодильника и очистки морозильной камеры от льда.

ВНИМАНИЕ – Не допускайте повреждения системы охлаждения.

ВНИМАНИЕ – Не устанавливайте внутри холодильника электрические приспособления кроме тех, которые рекомендованы изготовителем холодильника.

ВНИМАНИЕ – Во избежание несчастных случаев при повреждении шнура питания замену должен осуществлять производитель, его представитель по сервису или лицо, имеющее аналогичную квалификацию.

Инструкция по транспортировке

1. Холодильник должен транспортироваться только в вертикальном положении. Заводская упаковка при транспортировке не должна быть повреждена.

2. Если во время транспортировки холодильник был помещен горизонтально, им не

следует пользоваться по крайней мере 4 часа для того, чтобы все его системы пришли в норму.

3. Изготовитель не несет ответственности за повреждение холодильника, если нарушаются вышеупомянутые рекомендации.

4. Холодильник должен быть защищен от дождя, влажности и других атмосферных воздействий.

Важное замечание!

- Следует соблюдать осторожность при чистке или перемещении холодильника и не касаться металлических частей конденсатора в задней части холодильника, поскольку в результате можно повредить пальцы и руки.
- Не садитесь и не вставайте на холодильник. Он для этого не предназначен. Вы можете получить травму или повредить холодильник.
- Убедитесь, что электрический провод не попал под холодильник во время и после перемещения холодильника, иначе его можно повредить.
- Не позволяйте детям играть с холодильником или баловаться с ручками и кнопками управления.

Инструкция по установке

1. Не ставьте холодильник в помещение, в котором температура может опускаться ниже 10 °С ночью или, в особенности, зимой, поскольку холодильник рассчитан на работу при температуре окружающей среды в пределах от +10 до +38 °С. При более низкой температуре холодильник может не работать, и срок хранения продуктов в нем должен быть сокращен.

2. Не устанавливайте холодильник вблизи кухонных плит или радиаторов отопления или в прямом солнечном свете, поскольку это вызовет дополнительную нагрузку на агрегаты холодильника. Если Вы вынуждены устанавливать холодильник рядом с источником тепла или морозильником, обеспечьте следующее минимальное расстояние:

- от кухонных плит 30 мм
- от радиаторов отопления 300 мм
- от морозильников 25 мм

3. Постарайтесь, чтобы вокруг холодильника было достаточно свободного места, и воздух циркулировал свободно (**см. рис. 2**).

- Установите вентиляционную крышку на задней стороне холодильника для того, чтобы обеспечить необходимое расстояние между холодильником и стеной (**см. рис. 3**).

4. Холодильник должен стоять на гладкой поверхности. Две передние ножки должны быть соответствующим образом отрегулированы. Чтобы добиться строго вертикального положения холодильника, отрегулируйте ножки, вращая их по часовой или против часовой стрелки, пока они не будут устойчиво стоять на полу. Правильная регулировка ножек холодильника предотвращает чрезмерную вибрацию и шум (**см. рис. 4**).

5. Обратитесь к разделу “Чистка холодильника и уход за ним”, чтобы подготовить холодильник к эксплуатации.

Общие сведения о холодильнике (Рис. 1)

1. Полка морозильной камеры
2. Вентилятор
3. Коробка термостата и лампочки внутреннего освещения
4. Съёмные полки
5. Полки для бутылок (горизонтальные)
6. Дренажная трубка для сбора талой воды
7. Крышка ящика для овощей
8. Ящик для овощей
9. Регулируемые ножки
10. Отделение для молочных продуктов
11. Полка для банок
12. Полки для бутылок

Рекомендуемый способ размещения продуктов в холодильнике

Рекомендации по оптимальному хранению и соблюдению санитарных норм:

1. Холодильное отделение предназначено для непродолжительного хранения свежих продуктов и напитков.
2. Морозильная камера имеет замораживающую способность в три звездочки и предназначена для хранения замороженных продуктов. Рекомендации по хранению замороженных продуктов указаны на их упаковке и их следует соблюдать во всех случаях.

3. Молочные продукты должны храниться в специальном отделении на внутренней стороне двери.

4. Приготовленные блюда должны храниться в плотно закрытой посуде.

5. Свежие продукты в упаковке можно хранить на полке. Свежие фрукты и овощи должны быть чистыми и храниться в ящике для овощей.

6. Бутылки можно хранить в специальном отделении на двери.

7. Сырое мясо храните в полиэтиленовых пакетах и на самой низкой полке. Не допускайте контакта сырого мяса с готовыми блюдами, чтобы избежать заражения. В целях безопасности храните сырое мясо только два-три дня.

8. Для максимально эффективной работы холодильника, съёмные полки не должны быть накрыты бумагой или другими материалами, препятствующими свободной циркуляции холодного воздуха.

9. Не держите растительное масло на полках с внутренней стороны двери. Храните продукты, упакованными, завернутыми или под крышкой. Охладите горячие продукты и напитки прежде, чем ставить их в холодильник. Открытые консервы не должны храниться в консервных банках.

10. Нельзя замораживать газированные напитки, а лед из ароматизированной воды не следует употреблять слишком холодным.

11. Некоторые фрукты и овощи портятся от температуры, близкой к 0° С. Поэтому держите ананасы, дыню, огурцы, помидоры и другие подобные продукты в полиэтиленовых пакетах.

12. Крепкие спиртные напитки должны храниться в вертикальных, плотно закрытых сосудах. Никогда не храните в холодильнике продукты, содержащие легко воспламеняющийся газ (например, сливки с распылителем, консервы в аэрозольной упаковке и т.п.) или взрывчатые вещества. Это может быть опасно.

Регулировка температуры

Температура внутри холодильника регулируется ручкой термостата, которая может быть установлена в любое положение между 1 и 5 (максимально низкая температура).

Средняя температура внутри холодильного отделения должна быть +5 °С.

Поэтому, установите термостат в положение, которое обеспечит нужную температуру. В разных местах внутри холодильного отделения (например, ящика для овощей или в верхней части отделения) температура может быть выше или ниже, что вполне нормально.

Мы советуем периодически проверять термометром, сохраняется ли внутри холодильника нужная температура.

При частом открывании двери холодный воздух выходит из холодильника и температура внутри него повышается, поэтому не оставляйте дверь холодильника открытой и старайтесь закрывать ее как можно быстрее.

Перед началом работы

Последняя проверка

Перед началом эксплуатации холодильника проверьте следующее:

1. Передние ножки должны быть отрегулированы так, чтобы обеспечивать устойчивое положение холодильника.
2. Внутри холодильника должно быть сухо, и воздух за ним должен циркулировать свободно.
3. Холодильник внутри должен быть чисто вымыт, как рекомендуется в разделе “Чистка холодильника и уход за ним”.
4. Штепсель должен быть вставлен в розетку и электричество включено. Когда открывается дверца холодильного отделения, должна загораться лампочка внутреннего освещения.

И обратите внимание на то, что:

5. Вы будете слышать шум при включении компрессора. Жидкость и газ внутри системы охлаждения также могут создавать некоторый шум, независимо от того, работает компрессор или нет. Это вполне нормально.
6. Верхняя часть будет слегка вибрировать. Это нормально и не является дефектом.
7. Мы советуем установить термостат в среднее положение и некоторое время следить за температурой, чтобы убедиться, что холодильник поддерживает нужную температуру хранения (см. раздел “Регулировка температуры”).

8. Не загружайте холодильник сразу же после включения. Подождите пока внутри не установится нужная температура. Мы советуем проверять температуру точным термометром (см. раздел “Регулировка температуры”).

Хранение замороженных продуктов

Холодильник рассчитан на длительное хранение пищевых продуктов, замороженных промышленным способом, а также может быть использован для замораживания и хранения свежих продуктов.

В случае перебоев с электропитанием, не открывайте дверь холодильника. Замороженные продукты не пострадают, если электропитание прервано менее чем на 19 часов. Если электричества нет более длительное время, то следует проверить хранимые продукты и немедленно использовать их или проварить и заморозить заново.

Замораживание свежих продуктов

Пожалуйста, соблюдайте следующие рекомендации для получения наилучших результатов.

Не замораживайте продукты сразу в слишком большом количестве за один раз. Продукты лучше сохраняются, если они заморожены насквозь максимально быстро.

Не перегружайте морозильную камеру более, чем на сутки.

Если поместить в морозильную камеру теплые продукты, то агрегаты холодильника должны будут работать непрерывно, пока продукты не заморозятся. На какое-то время это приведет к чрезмерному понижению температуры в холодильном отделении. Замораживая свежие продукты, устанавливайте термостат в среднее положение. Небольшие порции продуктов (до 0,5 кг) можно замораживать без изменения положения термостата.

Особенно тщательно следите за тем, чтобы не хранить вместе замороженные и свежие продукты.

Замораживание льда

Заполните лоток для льда водой на 3/4 и поместите его в морозильное отделение. Вытаскивайте кубики льда ручкой ложки или другим подобным инструментом; никогда не пользуйтесь острыми или режущими предметами вроде ножей или вилок.

Размораживание

А) Холодильное отделение

Холодильное отделение размораживается автоматически. Талая вода стекает к дренажной трубке через накопительный контейнер в задней части холодильника (**см. рис. 5**).

При размораживании капли воды могут скапливаться в задней части холодильного отделения, где размещен скрытый испаритель. Они могут остаться на стенке испарителя и повторно замерзнуть, когда закончится размораживание. Не удаляйте замерзшие капли острыми или режущими предметами типа ножей или вилок.

Если в какойто момент Вы обнаружите, что талая вода не вытекает из накопительного контейнера, проверьте, не засорилась ли дренажная трубка в результате попадания частиц продуктов. Дренажную трубку можно продуть какимлибо приспособлением для прочистки (**см. рис.**).

В) Морозильная камера

Морозильная камера размораживается крайне просто и без всяких хлопот, благодаря наличию специального поддона для сбора талой воды.

Размораживайте камеру два раза в год или тогда, когда накопится слой инея толщиной до 7 мм. Чтобы начать размораживание, выключите холодильник из сети, вытащив штепсель из электрической розетки.

Все продукты следует завернуть в несколько слоев бумаги и сложить в прохладном месте (например холодильнике или кладовке).

Для того, чтобы ускорить размораживание, Вы можете осторожно поставить в морозильную камеру емкость с теплой водой.

Не пользуйтесь острыми или режущими предметами вроде ножей или вилок для того, чтобы удалить иней.

Никогда не пользуйтесь феном, электрическим нагревателем или какимлибо другим аналогичным электрическим прибором для размораживания.

Удалите губкой талую воду, собравшуюся на дне морозильной камеры. После размораживания насухо вытрите внутреннюю поверхность камеры. Вставьте штепсель в розетку и включите холодильник.

Замена лампочки внутри холодильника

Для замены лампочки освещения холодильника обратитесь в авторизированный сервисный центр.

Лампа (-ы), используемая (-ые) в данном изделии, не подходит (-ят) для бытового освещения помещений. Данная лампа предназначена для освещения при размещении пользователем продуктов питания в холодильной/морозильной камере, обеспечивая безопасность и удобство. Лампы, используемые в этом приборе, должны выдерживать экстремальные физические условия, например, температуру ниже -20°C.

Чистка холодильника и уход за ним

1. Мы советуем Вам выключать холодильник выключателем и вытаскивать штепсель из электрической розетки перед чисткой.

2. Никогда не пользуйтесь для чистки холодильника острыми инструментами или абразивными материалами, мылом, бытовыми чистящими средствами, моющими или полирующими средствами.

3. Для чистки корпуса холодильника пользуйтесь теплой водой и вытирайте его насухо.

4. Смочите тряпку в растворе пищевой соды (одна чайная ложка на поллитра воды) для того, чтобы вымыть холодильник внутри, и протрите все поверхности насухо.

5. Следите за тем, чтобы вода не попадала в коробку регулятора температуры.

6. Если Вы не собираетесь пользоваться холодильником в течение длительного времени, выключите его, уберите из него все продукты, вымойте внутри и оставьте дверцу приоткрытой.

7. Мы советуем Вам полировать металлические части корпуса (т.е. внешнюю поверхность двери, боковые стенки) силиконовой мастикой (автомобильная полироль) для того, чтобы сохранить высокое качество окраски.

8. Пыль, которая собирается на конденсаторе, расположенном в задней части холодильника, следует раз в год удалять пылесосом.

9. Регулярно проверяйте уплотнение двери, чтобы убедиться, что оно чистое, и на нем нет остатков продуктов.

10. Никогда:

- не чистите холодильник не предназначенными для этого средствами такими как, например, веществами, содержащими бензин;
- не подвергайте холодильник воздействию высокой температуры;
- не мойте, не протирайте и т.д. холодильник, используя абразивные материалы.

11. Как снять крышку отделения для молочных продуктов и лоток на двери.

- Для того, чтобы снять крышку отделения для молочных продуктов, сначала поднимите ее на пару сантиметров и вытащите ее с той стороны, где на крышке имеется отверстие.
- Для того, чтобы снять лоток, расположенный на двери, удалите все, что на нем лежит, и затем просто поднимите его и снимите с основания.

12. Следите за тем, чтобы специальный пластмассовый лоток, расположенный в задней части холодильника и служащий для сбора талой воды, был всегда чистый. Если Вам надо вытащить его для того, чтобы вымыть, следуйте приведенным ниже рекомендациям:

- выключите выключатель около лампочки и вытащите штепсель из розетки;
- осторожно разогните плоскогубцами защелку на компрессоре, чтобы освободить лоток, и вытащите его резким движением;
- вымойте лоток и просушите;
- поставьте лоток на место, выполнив описанные выше действия в обратном порядке.

13. Большой слой льда мешает нормальной работе холодильника, ухудшая его характеристики.

Перевешивание двери

Выполните действия в порядке, указанном на схеме (рис. 7).

Что следует и чего нельзя делать

Следует - регулярно чистить и размораживать холодильник (см. раздел “Размораживание”).

Следует - хранить сырое мясо и птицу на нижних полках, под полками, на которых стоят готовые блюда и молочные продукты.

Следует - очищать овощи от земли и удалять неиспользуемые листья.

Следует - не отрезать листья салата и петрушки от корней, а обычную и цветную капусту от кочерыжки.

Следует - сыр сначала заворачивать в пергаментную бумагу, а затем класть в полиэтиленовый пакет, удаляя из пакета весь воздух. Для улучшения вкусовых качеств сыра, рекомендуется доставать его из холодильника за час до употребления.

Следует - класть сырое мясо и птицу в полиэтиленовый пакет или алюминиевую фольгу, не заворачивая туго. Это препятствует высушиванию.

Следует - класть рыбу и треску в полиэтиленовые пакеты.

Следует - заворачивать сильно пахнущие продукты или продукты, который могут высохнуть, в полиэтиленовые пакеты или алюминиевую фольгу, или хранить их в плотно закрытой посуде.

Следует - тщательно упаковывать хлеб, чтобы сохранить его свежим.

Следует - охлаждать белые вина, пиво и минеральную воду перед употреблением.

Следует - почаще проверять продукты, хранящиеся в морозильной камере.

Следует - хранить продукты в течение как можно меньшего времени и строго соблюдать сроки хранения.

Следует - хранить готовые замороженные продукты в соответствии с инструкциями, указанными на упаковке.

Следует - всегда выбирать свежие продукты высокого качества и тщательно мыть их перед замораживанием.

Следует - делить свежие продукты на маленькие порции, чтобы они быстрее замораживались.

Следует - заворачивать все продукты в алюминиевую фольгу или специальные полиэтиленовые пакеты для морозильника и удалять из упаковки весь воздух.

Следует - как можно скорее заворачивать только что купленные замороженные продукты и класть в морозильную камеру.

Следует - размораживать замороженные продукты в холодильном отделении.

Не следует - хранить в холодильнике бананы.

Не следует - хранить в холодильнике дыню.

Ее можно охладить в течение короткого времени, если она завернута так, чтобы ее запахом не пропахли другие продукты.

Не следует - закрывать полки любыми защитными материалами, которые могут препятствовать циркуляции воздуха.

Не следует - хранить в холодильнике ядовитые или опасные вещества. Холодильник предназначен для хранения только пищевых продуктов.

Не следует - употреблять в пищу продукты, которые хранились в холодильнике сверх допустимого времени.

Не следует - хранить вместе в одной и той же посуде готовые блюда и свежие продукты.

Они должны быть уложены в разные контейнеры и храниться отдельно.

Не следует - допускать, чтобы жидкость из размораживаемых продуктов капала на другие продукты, хранящиеся в холодильнике.

Не следует - оставлять дверь холодильника открытой в течение длительного времени, поскольку это приведет к дополнительным расходам по его эксплуатации.

Не следует - использовать острые предметы, типа ножей или вилок, для удаления инея.

Не следует - ставить в холодильник горячие продукты. Надо дать им сначала остыть.

Не следует - помещать в морозильную камеру наполненные жидкостью бутылки или нераспечатанные банки с газированными напитками, так как они могут разорваться.

Не следует - переполнять сверх всякой меры морозильную камеру при замораживании свежих продуктов.

Не следует - давать детям мороженое или замороженную фруктовую воду прямо из морозильной камеры. Они могут обморозить губы.

Не следует - замораживать газированные напитки.

Не следует - долгое время хранить размороженные продукты; их необходимо использовать в течение суток, либо проварить и заморозить снова.

Не следует - доставать продукты из холодильника мокрыми руками.

Устранение неисправностей

Если холодильник не работает, когда он включен, убедитесь:


- что штепсель вставлен в электрическую розетку правильно и что электричество не отключено. (Для проверки наличия тока в розетке, включите в нее другой электроприбор);

- что не сгорел плавкий предохранитель, не отключился выключатель или не отключен главный выключатель на распределительном щите;
- что регулятор температуры установлен правильно;
- что новый штепсель, используемый вместо заводского, поставлен правильно.

Если холодильник все еще не работает после того, как Вы выполнили описанные выше проверочные действия, посоветуйтесь с продавцом, у которого Вы купили холодильник.

Пожалуйста, убедитесь, что проверили все, что могли, поскольку иначе может получиться так, что Вам придется напрасно платить деньги, если никакого повреждения не будет обнаружено.



Символ  на изделии или на упаковке указывает, что изделие не должно утилизироваться с бытовыми отходами. Вместо этого его следует сдать на соответствующий пункт сбора отходов по утилизации электрического и электронного оборудования. Обеспечивая надлежащую утилизацию данного изделия, вы способствуете предотвращению потенциальных негативных последствий для окружающей среды и здоровья людей, которые в противном случае могут наступить вследствие неправильного обращения с его отходами. За более подробной информацией по утилизации данного изделия обратитесь в местную городскую администрацию, службу утилизации бытовых отходов или в магазин, в котором вы приобрели изделие.

Enhorabuena por haber elegido un electrodoméstico de alta calidad de **BEKO**, diseñado para prestar servicio durante muchos años.

La seguridad es lo primero

No conectar el frigorífico a la toma de corriente hasta que no se hayan retirado todos los protectores de embalaje y transporte.

- Si se transportó horizontalmente, dejar el frigorífico en posición normal al menos 4 horas antes de conectarlo, para que el aceite del compresor se asiente.
- Al deshacerse de un frigorífico antiguo con cerradura o pestillo en la puerta, comprobar que queda en una posición segura que impida que los niños puedan quedar atrapados.
- Este frigorífico sólo se debe utilizar para las funciones para las que se ha diseñado.
- No arrojar el frigorífico al fuego. Su aislamiento contiene sustancias inflamables sin CFC. Es recomendable ponerse en contacto con las autoridades locales para obtener información sobre residuos y centros de reciclaje.
- No se recomienda utilizar este frigorífico en lugares fríos sin calefacción. (Por ejemplo, garajes, invernaderos, cobertizos, cabañas, etc.)

Para conseguir un funcionamiento sin averías y el mejor rendimiento posible del frigorífico, es muy importante leer cuidadosamente estas instrucciones. El incumplimiento de estas instrucciones puede invalidar el derecho a obtener asistencia gratuita durante el periodo de garantía.

Conservar estas instrucciones en lugar seguro y donde puedan consultarse fácilmente.

Se proporcionarán piezas de recambio originales durante 10 años, después de la fecha de compra del producto.

Este aparato no ha sido diseñado para ser usado por personas con discapacidades físicas, sensoriales o mentales; tampoco para personas sin experiencia o conocimiento del aparato, a no ser que estén supervisadas o instruidas por alguien responsable de su seguridad. Los niños deben de estar controlados para que no jueguen con el aparato.

Requisitos eléctricos

Antes de conectar el enchufe a la toma de corriente, se debe comprobar que el voltaje y la frecuencia mostradas en la placa de características del interior del frigorífico se corresponden con los de la alimentación eléctrica.

Se recomienda conectar este frigorífico a la red de suministro eléctrico mediante una toma de corriente adecuada, con fusible e interruptor y en una posición de fácil acceso.

Advertencia. Este frigorífico debe disponer de toma de tierra.

Las reparaciones del equipo eléctrico sólo deben ser realizadas por técnicos cualificados. Las reparaciones incorrectas realizadas por personal no cualificado comportan riesgos que pueden acarrear graves consecuencias al usuario del frigorífico.

¡ATENCIÓN!

Este electrodoméstico funciona con R600a, un gas respetuoso con el medio ambiente pero inflamable. Durante el transporte y la fijación del electrodoméstico, es necesario tener cuidado para no dañar el sistema de refrigeración. Si el sistema de refrigeración sufre algún daño y se produce una fuga de gases del sistema, mantenga el producto alejado de fuentes de ignición y ventile el recinto durante el tiempo adecuado.

ADVERTENCIA: Utilizar sólo los dispositivos mecánicos o los medios recomendados por el fabricante para acelerar el proceso de desescarchado.

ADVERTENCIA: Evitar daños en el circuito de refrigeración.

ADVERTENCIA: No utilizar aparatos eléctricos dentro de los compartimentos para alimentos del frigorífico, a menos que sean del tipo recomendado por el fabricante.

ADVERTENCIA: Si el cable de alimentación estuviera dañado, el fabricante, el servicio de atención al cliente o una persona cualificada deberán sustituirlo para evitar peligros.

Instrucciones de transporte

1. El frigorífico sólo se debe transportar en posición vertical. El embalaje debe quedar intacto tras el transporte.

2. Si el frigorífico ha estado colocado horizontalmente durante el transporte, no ponerlo en funcionamiento hasta después de pasadas al menos 4 horas, para permitir que el sistema se asiente.

3. El incumplimiento de estas instrucciones puede provocar daños en el frigorífico y el fabricante no se considerará responsable de los mismos.

4. El frigorífico debe estar protegido de la lluvia, la humedad y demás agentes atmosféricos.

¡Importante!

- Se debe poner especial cuidado al limpiar o desplazar el frigorífico, para no tocar el extremo inferior de las láminas metálicas del condensador, que se encuentran en la parte trasera del aparato, ya que pueden provocar heridas en dedos y manos.

- No ponerse de pie ni sentarse en la parte superior del frigorífico, ya que no está diseñado para tal fin. Podría sufrir lesiones o causar daños al electrodoméstico.

- Comprobar que el frigorífico no queda apoyado sobre el cable principal durante ni después del desplazamiento, ya que puede dañar el cable.

- No permitir a los niños jugar con el frigorífico ni jugar con sus mandos.

Instrucciones de instalación

1. No instalar el frigorífico en habitaciones donde la temperatura pueda descender por debajo de los 10 grados centígrados por la noche o especialmente en invierno, ya que se ha diseñado para funcionar en ambientes con temperaturas entre 10 y 38 grados centígrados. A temperaturas inferiores, es posible que el frigorífico no funcione, reduciéndose el periodo de almacenamiento de los alimentos.

2. No colocar el frigorífico cerca de cocinas o radiadores ni bajo la luz solar directa, ya que el hacerlo puede provocar una mayor carga

para las funciones del frigorífico. Si se instala cerca de una fuente de calor o de un congelador, mantener las distancias laterales mínimas siguientes:

Con respecto a cocinas, 30 mm.

Con respecto a radiadores, 300 mm.

Con respecto a congeladores, 25 mm.

3. Comprobar que hay espacio suficiente en torno al frigorífico para garantizar la circulación de aire (**figura 2**).

• Poner la tapa de ventilación posterior en la parte trasera del frigorífico para comprobar la distancia entre el frigorífico y la pared (**figura 3**).

4. El frigorífico sólo se debe colocar sobre superficies lisas. Los dos pies delanteros se pueden ajustar si es necesario. Para garantizar la verticalidad del frigorífico, ajustar los dos pies delanteros girándolos a derecha o izquierda hasta que el contacto con el suelo sea firme y seguro. El ajuste correcto de los pies evita vibraciones o ruidos excesivos (**figura 4**).

5. Consultar la sección "Conservación y limpieza" para preparar el frigorífico para su utilización.

Detalles del frigorífico (figura 1)

- 1 - Reja congelador
- 2 - Ventilador
- 3 - Alojamiento de termostato y bombilla
- 4 - Estantes interiores ajustables
- 5 - Botellero para vinos
- 6 - Canal de recogida - tubo de desagüe
- 7 - Tapa del cajón de frutas y verduras
- 8 - Cajón de frutas y verduras
- 9 - Pie ajustable
- 10 - Compartimento para lácteos
- 11 - Estante para botes
- 12 - Estante para botellas

Disposición recomendada de los alimentos en el frigorífico

Normas para conseguir el almacenamiento e higiene óptimos:

1. El compartimento del frigorífico es para almacenamiento breve de alimentos frescos y bebidas.

2. El compartimento del congelador está clasificado como *** ** *** y es apto para congelar y almacenar alimentos precongelados.

Se deben seguir las recomendaciones para el almacenamiento *** ** *** que figuran en el envase de alimentos en todo momento.

3. Los productos lácteos deben almacenarse en el compartimento especial incorporado en el revestimiento interior de la puerta.

4. Los platos cocinados deben almacenarse en recipientes herméticos.

5. Los productos frescos envueltos deben conservarse en el estante. Las frutas y verduras frescas deben estar limpias y almacenarse en los cajones correspondientes.

6. Las botellas se pueden conservar en la sección de la puerta.

7. Para almacenar carne cruda, envolverla en bolsas de polietileno y colocarla en el estante inferior. No permitir que la carne cruda entre en contacto con los alimentos cocinados, para evitar contaminaciones. Por seguridad, almacenar carne cruda sólo durante dos o tres días.

8. Para conseguir la máxima eficiencia, no cubrir los estantes desmontables con papel ni otros materiales que impedirían la circulación libre del aire.

9. No conservar aceite vegetal en los estantes de la puerta. Conservar los alimentos empaquetados, envueltos y cubiertos. Dejar que los alimentos y las bebidas calientes se enfríen antes de congelarlos. Los restos de alimentos enlatados no se deben almacenar dentro de sus latas.

10. No congelar bebidas gaseosas. No consumir demasiado fríos productos como los helados de agua con sabores.

11. Algunas frutas y verduras se deterioran si se almacenan a temperaturas cercanas a 0 °C. Por lo tanto, las piñas, los melones, los pepinos, los tomates y productos similares deben envolverse en bolsas de polietileno.

12. Las bebidas alcohólicas de alta graduación se deben almacenar en posición vertical en recipientes bien cerrados. No almacenar nunca productos que contengan gases inflamables (por ejemplo, botes de nata a presión, aerosoles, etc.) ni sustancias explosivas. Puede haber peligro de explosión.

Control y ajuste de la temperatura

El mando del termostato controla la temperatura de funcionamiento y se puede situar en cualquier posición entre 1 y 5 (la posición más fría).

Si la mano del termostato está en posición „0” el aparato está apagado. En este caso ni la bombilla para el iluminado interior se va encender.

La temperatura media del interior del frigorífico debe estar alrededor de 5 °C. Por lo tanto, ajustar el termostato para conseguir la temperatura deseada. Algunas zonas del frigorífico pueden estar más frías o más calientes (como el cajón de ensaladas y la parte superior del armario), lo que es perfectamente normal. Se recomienda comprobar periódicamente la temperatura con un termómetro para comprobar que el armario se encuentre a esta temperatura. La apertura frecuente de la puerta provoca un aumento de la temperatura, por lo que se recomienda cerrar la puerta lo antes posible tras su uso.

Antes del funcionamiento

Comprobación final

Antes de empezar a utilizar el frigorífico, comprobar que:

1. Los pies se han ajustado hasta conseguir una nivelación perfecta.
2. El interior está seco y el aire circula libremente por la parte trasera.
3. El interior está limpio conforme a las recomendaciones de la sección “Conservación y limpieza”.
4. Se ha introducido el enchufe en la toma de corriente y se ha activado la electricidad. Cuando se abre la puerta, la luz interior se enciende.

Y observar que:

5. Se oye un sonido cuando arranca el compresor. Los líquidos y gases del sistema de refrigeración también pueden hacer ruidos, esté o no el compresor en funcionamiento. Esto es perfectamente normal.
6. También es normal una ligera ondulación en la parte superior del armario debido al proceso de fabricación utilizado. No es un defecto.
7. Se recomienda ajustar el mando del termostato en la posición intermedia y supervisar la temperatura para asegurarse de que el frigorífico mantenga las temperaturas de almacenamiento deseadas (consultar la sección “Control y ajuste de la temperatura”).
8. No cargar el frigorífico inmediatamente después de encenderlo. Esperar hasta que alcance la temperatura de conservación correcta. Se recomienda comprobar la temperatura con un termómetro de precisión (consultar la sección Control y ajuste de la temperatura).

Almacenamiento de alimentos congelados

El congelador es adecuado para almacenar alimentos precongelados durante periodos prolongados, así como para congelar y almacenar carne fresca.

Para la conservación de alimentos frescos congelados por usted, consultar la guía de duraciones de conservación del revestimiento interior de la puerta.

Si se produce un corte de corriente, no abrir la puerta. Los alimentos congelados no se verán afectados si el corte de corriente dura menos de 12 horas. Si dura más tiempo, se debe comprobar los alimentos para consumirlos inmediatamente o cocinarlos y congelarlos de nuevo.

Congelación de alimentos frescos

Para obtener los mejores resultados, se deben tener en cuenta las instrucciones siguientes.

No congelar grandes cantidades de una vez. La calidad de los alimentos se mantiene mejor si la congelación alcanza su interior lo antes posible.

No superar la cantidad de alimentos que es capaz de congelar el frigorífico en 24 h. Si se introducen alimentos calientes en el compartimento del congelador, se obliga a la máquina de refrigeración a funcionar de forma continua hasta congelarlos totalmente. Esto puede provocar temporalmente un enfriamiento excesivo del compartimento de refrigeración.

Al congelar alimentos frescos, mantenga el mando del termostato en la posición intermedia. Las cantidades pequeñas de hasta 1/2 kg. se pueden congelar sin necesidad de ajustar el mando de control de temperatura.

Poner especial cuidado en no mezclar alimentos ya congelados con alimentos frescos.

Cubitos de hielo

Rellenar la cubitera hasta el 3/4 de su capacidad y colocarla en el congelador. Desprender las bandejas congeladas con una cuchara o instrumento similar. No utilizar nunca objetos con punta ni bordes afilados, como cuchillos o tenedores.

Desescarchado

A) Compartimento del frigorífico

El compartimento del frigorífico se desescarcha automáticamente. El agua del desescarchado circula hasta el tubo de desagüe a través del recipiente de recogida situado en la parte trasera del frigorífico (**figura 5**).

Durante el desescarchado, se pueden formar gotas de agua en la parte trasera del compartimento del frigorífico donde se encuentra empotrado el evaporador. Algunas gotas pueden permanecer en el revestimiento interior y volver a congelarse después de finalizado el desescarchado. No utilizar nunca objetos con punta o bordes afilados, como cuchillos o tenedores, para retirar las gotas que se hayan vuelto a congelar.

Si en cualquier momento el agua del desescarchado no se desagua por el canal de recogida, comprobar que no haya restos de alimentos que obstruyan el tubo de desagüe. El tubo de desagüe se puede limpiar con limpiadores de tuberías o productos similares. Compruebe que el tubo está permanentemente situado con su extremo en la bandeja de recogida para prevenir que el agua se vierta sobre la instalación eléctrica o en el suelo (**figura 6**).

B) Compartimento del congelador

El desescarchado es muy sencillo y no presenta complicaciones gracias al especial recipiente de recogida.

Desescarchar dos veces al año o cuando se forme una capa de hielo de unos 7 mm. Para iniciar el proceso de desescarchado, desenchufar el frigorífico retirando el enchufe de la toma de corriente.

Los alimentos deben ser envueltos en varias capas de papel de periódico y situados en un lugar frío (por ejemplo, un frigorífico o despensa).

Para acelerar el desescarchado, se pueden colocar cuidadosamente recipientes con agua caliente en el congelador.

No utilizar nunca objetos con punta o bordes afilados, como cuchillos o tenedores, para retirar el hielo.

No utilizar nunca secadores de pelo, calentadores eléctricos u otros aparatos eléctricos para forzar el desescarchado.

Recoger con una esponja el agua de desescarchado almacenada en la parte inferior del compartimento del congelador.

Después de desescarchar, secar completamente el interior. Introducir el enchufe en la toma de corriente y encender el interruptor.

Sustitución de la bombilla interior

Para cambiar la bombilla utilizada para iluminar el frigorífico, póngase en contacto con el servicio técnico autorizado.

Las bombillas de este electrodoméstico no sirven para la iluminación en el hogar. Su propósito es el de ayudar al usuario a colocar los alimentos en el frigorífico o congelador de forma cómoda y segura.

Las lámparas utilizadas en este electrodoméstico deben soportar unas condiciones físicas extremas como temperaturas inferiores a -20° C.

Conservación y limpieza

1. Se recomienda desenchufar el frigorífico retirando el enchufe de la toma de corriente antes de realizar la limpieza.

2. No utilizar nunca en la limpieza instrumentos afilados o sustancias abrasivas, jabones, limpiadores domésticos, detergentes ni ceras abrillantadoras.

3. Utilizar agua tibia para limpiar el armario del frigorífico y secarlo con un paño.

4. Utilizar un paño humedecido con la solución de una cucharilla de café de bicarbonato sódico en un vaso grande de agua, para limpiar el interior. Secarlo con un trapo.

5. Asegurarse de que no entra agua en la caja de control de la temperatura.

6. Si no se va a utilizar el frigorífico durante un largo periodo, desenchufarlo, retirar toda la comida, limpiarlo y dejar la puerta entreabierta.

7. Se recomienda pulir las piezas de metal del producto (por ejemplo, la puerta exterior, los laterales del armario) con una cera de silicona (cera para coches) para proteger los acabados de alta calidad.

8. El polvo acumulado en el condensador, situado en la parte trasera del frigorífico, debe retirarse una vez al año con un aspirador.

9. Comprobar regularmente los cierres herméticos de la puerta para asegurarse de que estén limpios y sin restos de alimentos.

10. Nunca:

- Limpiar el frigorífico con material inadecuado; por ejemplo, productos derivados del petróleo.
- Exponerlo a altas temperaturas.
- Restregarlo, frotarlo, etc., con materiales abrasivos.

11. Retirada de la cubierta de lácteos y la bandeja de la puerta:

• Para retirar la cubierta de lácteos, levantar primero la cubierta unos 2,5 cm (una pulgada) y tirar desde el lateral que tiene una abertura en la cubierta.

• Para retirar la bandeja de la puerta, retirar todo su contenido y, a continuación, empujar simplemente la bandeja hacia arriba desde su base.

12. Comprobar que el recipiente especial de plástico de la parte posterior del frigorífico, que recoge el agua del desescarchado, esté limpio en todo momento. Si se desea retirar la bandeja para limpiarla, seguir las instrucciones siguientes:

- Desenchufar el frigorífico retirando el enchufe de la toma de corriente.
- Con unos alicates, ondular ligeramente el aro del compresor para poder retirar la bandeja.

- Levantarlo.
- Limpiarlo y secarlo.
- Volver a colocarlo, invirtiendo la secuencia de operaciones.

13. Las grandes acumulaciones de hielo afectan al funcionamiento del congelador.

Reposicionamiento de la puerta

Continúe en orden de número (figura 7).

Prácticas correctas e incorrectas

Correcto- Limpiar y desescarchar periódicamente el frigorífico (consultar la sección "Desescarchado")

Correcto- Conservar la carne cruda y de ave bajo los productos cocinados y los productos lácteos.

Correcto- Retirar las hojas inservibles de las verduras y limpiar toda suciedad.

Correcto- Dejar la lechuga, el repollo, el perejil y la coliflor con el tallo.

Correcto- Envolver el queso primero en papel resistente a la grasa y, a continuación, en una bolsa de polietileno, sacando todo el aire posible. Para obtener los mejores resultados, sacar los alimentos del compartimento del frigorífico una hora antes de comerlos.

Correcto- Envolver la carne cruda y de ave en polietileno o papel de aluminio sin apretar. Esto evita que se sequen.

Correcto- Envolver el pescado y los despojos en bolsas de polietileno.

Correcto- Envolver en bolsas de polietileno o en papel de aluminio los alimentos que desprendan olores fuertes o que se puedan secar, o bien introducirlos en recipientes herméticos.

Correcto- Envolver bien el pan para mantenerlo fresco.

Correcto- Enfriar los vinos blancos, las cervezas y el agua mineral antes de servirlos.

Correcto- Comprobar el contenido del congelador de vez en cuando.

Correcto- Conservar los alimentos el menor tiempo posible y cumpla sus fechas de caducidad.

Correcto- Almacenar los alimentos precongelados conforme a las instrucciones proporcionadas en los envases.

Correcto- Elegir siempre alimentos frescos de alta calidad y comprobar que estén totalmente limpios antes de congelarlos.

Correcto- Preparar los alimentos frescos para su congelación en pequeñas raciones para garantizar su rápida congelación.

Correcto- Envolver todos los alimentos en papel de aluminio o bolsas de polietileno para congelador, haciendo salir todo el aire.

Correcto- Envolver los alimentos congelados inmediatamente después de adquirirlos e introducirlos en el congelador lo antes posible.

Correcto- Descongelar los alimentos en el compartimento del frigorífico.

Incorrecto- Almacenar los plátanos en el compartimento del frigorífico.

Incorrecto- Almacenar melones en el frigorífico. Se deben enfriar por cortos periodos y envolver para evitar que den olor a otros alimentos.

Incorrecto- Cubrir los estantes con cualquier material protector que pueda obstruir la circulación de aire.

Incorrecto- Almacenar sustancias venenosas o peligrosas en el frigorífico. Ha sido diseñado sólo para el almacenamiento de alimentos comestibles.

Incorrecto- Consumir alimentos almacenados durante periodos excesivamente largos.

Incorrecto- Almacenar alimentos frescos y cocinados en un mismo recipiente. Deben envolverse y almacenarse de forma separada.

Incorrecto- Permitir que alimentos descongelados o los jugos de los alimentos goteen sobre otros alimentos.

Incorrecto- Dejar la puerta abierta durante largos periodos, lo que encarece el coste de funcionamiento del frigorífico y provoca excesiva formación de hielo.

Incorrecto- Utilizar objetos con punta o bordes afilados, como cuchillos o tenedores, para retirar el hielo.

- Incorrecto-** Introducir alimentos calientes en el frigorífico. Dejar primero que se enfríen.
- Incorrecto-** Colocar en el congelador botellas o botes herméticos completamente rellenos de líquidos gaseosos, ya que pueden reventar.
- Incorrecto-** Superar la carga máxima de congelación al congelar alimentos frescos.
- Incorrecto-** Entregar a los niños helados o cubitos de hielo directamente del congelador. La baja temperatura puede provocar quemaduras en los labios.
- Incorrecto-** Congelar bebidas gaseosas.
- Incorrecto-** Intentar congelar de nuevo alimentos que se han descongelado. Deben consumirse antes de 24 horas o cocinarse y volverse a congelar.
- Incorrecto-** Retirar alimentos del congelador con las manos húmedas.

Resolución de problemas

Si el frigorífico no funciona al conectarlo, comprobar:

- Si se ha introducido correctamente el enchufe en la toma de corriente y si la alimentación eléctrica está activada. (Para comprobar la alimentación eléctrica de la toma de corriente, enchufe otro electrodoméstico.)
- Si el fusible está fundido, si el automático ha saltado o si el interruptor principal está apagado.
- Si el control de temperatura está ajustado correctamente.
- Si el nuevo enchufe está correctamente cableado, en caso de que se haya cambiado el enchufe.

Si el frigorífico sigue sin funcionar después de las comprobaciones anteriores, ponerse en contacto con el proveedor que lo suministró. Asegurarse de que se realicen las comprobaciones anteriores, ya que en caso de que realmente no haya ninguna avería, el proveedor puede exigirle sus gastos.

Advertencias sobre los ruidos de funcionamiento del aparato

Con objeto de mantener constante la temperatura en el interior de su frigorífico, el compresor se conecta de tiempo en tiempo. Esto origina unos ruidos que son perfectamente naturales y se deben a razones técnicas. Tan pronto como el aparato ha alcanzado la temperatura de servicio, la intensidad de estos ruidos disminuye sensiblemente.

Unos ruidos como de **murmullos sordos** son inevitables durante el funcionamiento del compresor. Pueden aumentar brevemente de intensidad al conectarse el motor (compresor) del aparato.

Los **ruidos en forma de gorgoteo** se producen al penetrar el líquido refrigerante en los tubos delgados una vez que ha entrado en funcionamiento el compresor.

Unos breves **ruidos en forma de clic** sólo se escuchan cuando el termostato conecta y desconecta el compresor.

Unos ruidos en forma de chasquido pueden surgir ...

- durante el ciclo de desescarchado del aparato
- al enfriarse o calentarse el aparato (dilatación del material)

En caso de alcanzarse un nivel sonora excesivamente elevado durante el funcionamiento del frigorífico, ello tal vez tenga una fácil solución.

El aparato se encuentra en posición desnivelada

Nivelarlo con los soportes roscados que incorpora o calzándolo.

En caso de estar el aparato en contacto con muebles u otros aparatos

Separarlo de los muebles o aparatos con los que estuviera en contacto.

Los cajones, estantes y soportes oscilan o están agarrotados

Revisar los elementos afectados. En caso necesario, volverlos a colocar en su posición correcta.

Las botellas o los recipientes en el aparato entran en contacto mutuo

Separar algo las botellas y los recipientes.



Este producto incorpora el símbolo de recogida selectiva de residuos de equipos eléctricos y electrónicos.

Ello significa que este producto debe ser manipulado teniendo en cuenta la Directiva Europea 2002/96/EC, en orden de ser reciclado o recuperado para minimizar su impacto en el medio ambiente. Para mas información rogamos contacte con las autoridades locales o regionales más próximas a su domicilio.

Los productos electrónicos no incluidos en el proceso de recogida selectiva son potencialmente peligrosos para el medio ambiente y la salud humana debido a la presencia de ciertas sustancias.

Parabéns por ter escolhido um Electrodoméstico de Qualidade da **BEKO**, concebido para lhe proporcionar muitos anos de utilização.

Princípios básicos de segurança!

Não ligue o frigorífico à corrente eléctrica enquanto não tiver retirado todas as protecções de embalagem e de transporte.

- No caso do frigorífico ter sido transportado na horizontal, deixe-o na vertical durante pelo menos, 4 horas, antes de o ligar para que o óleo do compressor estabilize.
- No caso de se estar a desfazer de um electrodoméstico antigo com uma fechadura ou tranca na porta, certifique-se de que é deixado em segurança para evitar acidentes com crianças.
- Este frigorífico só deve ser utilizado para o fim a que se destina.
- Não coloque o frigorífico no fogo. O seu frigorífico contém, no isolamento, substâncias isentas de CFC que são inflamáveis. Para obter informações sobre destruição e instalações disponíveis para o efeito, sugerimos que contacte a autoridade local.
- Não recomendamos a utilização deste frigorífico numa sala extremamente fria. (por exemplo, garagem, estufa, anexo, alpendre, exterior da casa, etc.)

Para obter o melhor desempenho e um funcionamento sem problemas do seu frigorífico, é muito importante que leia cuidadosamente estas instruções. O não seguimento destas instruções pode invalidar o direito à assistência gratuita durante o período de garantia.

Para facilitar a consulta, guarde estas instruções num local seguro.

Se proporcionarán piezas de recambio originales durante 10 años, después de la fecha de compra del producto.

Este aparelho não deve ser utilizado por pessoas com capacidades reduzidas quer a nível físico, psíquico ou mental ou com falta de experiência e conhecimento, excepto quando supervisionados ou se lhes foram dadas instruções relacionadas com a utilização do aparelho, por alguém responsável pela sua segurança.

As crianças devem ser supervisionadas para se assegurar que não brincam com o aparelho.

Requisitos eléctricos

Antes de inserir a ficha na tomada de parede, certifique-se de que a voltagem e a frequência apresentadas na placa de características colocada dentro do frigorífico, correspondem à corrente eléctrica que vai utilizar.

Recomendamos que este congelador seja ligado à corrente através de uma tomada com interruptor e fusível e que seja de fácil acesso.

Aviso! Este frigorífico deve ser ligado a uma tomada com terra.

As reparações no equipamento eléctrico só devem ser efectuadas por um técnico qualificado. As reparações incorrectas efectuadas por uma pessoa não qualificada acarretam riscos que podem ter consequências graves para o utilizador do frigorífico.

ATENÇÃO!

Este frigorífico funciona com R 600a, que é um gás não prejudicial para o ambiente mas inflamável. Durante o transporte e instalação do produto, devem ser tomadas as devidas precauções para não danificar o sistema de arrefecimento. Se o sistema de arrefecimento se danificar, e se ocorrer uma fuga de gás, mantenha o produto afastado de qualquer chama e ventile o espaço durante algum tempo.

AVISO - Não utilize dispositivos mecânicos ou outros para acelerar o processo de descongelação, diferentes dos recomendados pelo fabricante.

AVISO - Não danifique o circuito de refrigeração.

AVISO - Não utilize aparelhos eléctricos dentro dos compartimentos de armazenamento de alimentos do frigorífico, excepto os que forem recomendados pelo fabricante.

AVISO - Se o cabo fornecido estiver danificado, deve ser substituído pelo fabricante, pelo seu agente de assistência ou pessoas igualmente qualificadas para evitar perigo.

Instruções para transporte

1. O frigorífico deve ser transportado apenas na posição vertical. A embalagem fornecida deve ser mantida intacta durante o transporte

2. Se, durante o transporte, o frigorífico tiver sido colocado horizontalmente, não o ligue durante, pelo menos, 4 horas, para permitir que o sistema estabilize.

3. A falha no cumprimento das instruções acima referidas pode resultar em danos no frigorífico, para os quais o fabricante não será responsável.

4. O frigorífico deve estar protegido da chuva, humidade e de outras acções atmosféricas.

Importante!

- Deve ter cuidado quando limpar/deslocar o equipamento, para não tocar na parte inferior dos fios metálicos do condensador, que se encontram na parte posterior do equipamento, para evitar ferimentos nos dedos e nas mãos.
- Não se ponha de pé nem se sente sobre o congelador, pois ele não está concebido para essa utilização. Se o fizer, corre o risco de ferimentos ou de provocar danos no aparelho.
- Quando deslocar o equipamento, certifique-se de que o cabo principal não fica debaixo do equipamento, de modo a não danificar o cabo.
- Não permita que as crianças brinquem com o frigorífico nem com os controlos.

Instruções de instalação

1. Não coloque o frigorífico numa sala onde a temperatura possa atingir valores inferiores a 10 graus C durante a noite e/ou especialmente no Inverno, porque o aparelho foi concebido para funcionar com temperatura ambiente entre +10 e +38 graus C. A temperaturas inferiores, o frigorífico pode não funcionar, o que resulta numa redução do período de armazenamento dos alimentos.

2. Não coloque o frigorífico junto de fogões ou de radiadores ou sob luz solar directa, de modo a evitar uma sobrecarga nas funções do aparelho. Se o instalar junto a uma fonte de calor ou a uma arca congeladora, mantenha as seguintes distâncias laterais mínimas:

De fogões, 30 mm

De radiadores, 300 mm

De arcas congeladores, 25 mm

3. Certifique-se de que existe espaço suficiente em redor do frigorífico, de modo a assegurar a circulação de ar **(Item 2)**.
- Coloque a tampa de ventilação posterior na parte de trás do frigorífico, para definir a distância entre o aparelho e a parede **(Item 3)**.
4. O frigorífico deve ser colocado numa superfície plana. Os dois pés frontais devem ser ajustados se necessário. Para garantir que o equipamento fique na vertical, ajuste os dois pés frontais rodando-os para a direita ou para a esquerda, até que o contacto com o chão seja firme. O ajuste correcto dos pés evita o excesso de vibração e ruído **(Item 4)**.
5. Para preparar o frigorífico para utilização, consulte a secção "Limpeza e cuidados".

Detalhes do equipamento (Item 1)

- 1 - Prateleira do frigorífico
- 2 - Ventilador
- 3 - Caixa do termóstato e da lâmpada
- 4 - Prateleiras ajustáveis do frigorífico
- 5 - Suporte garrafas de vinho
- 6 - Canal de recolha da água da descongelação -Tubo de drenagem
- 7 - Tampa da gaveta para frutos e legumes
- 8 - Gaveta
- 9 - Pés frontais ajustáveis
- 10 - Compartimento para produtos lácteos
- 11 - Prateleira para jarros
- 12 - Prateleira para garrafas

Arrumação sugerida para os alimentos no frigorífico

Directrizes para a obtenção de armazenamento e higiene otimizados:

1. O compartimento do frigorífico destina-se a armazenar, durante um curto período de tempo, alimentos frescos e bebidas.
2. O compartimento do congelador está classificado como **✱ ***** e está preparado para congelar e armazenar alimentos pré-congelados.

Devem ser sempre observadas as recomendações para o armazenamento **✱ *****, incluídas nas embalagens dos alimentos.

3. Os produtos lácteos devem ser armazenados no compartimento especial incluído no interior da porta.
4. Os alimentos cozinhados devem ser armazenados em recipientes herméticos.
5. Os produtos frescos envolvidos em película devem ser guardados na prateleira. Os frutos frescos e os vegetais devem ser limpos e guardados nas gavetas correspondentes.
6. As garrafas podem ser guardadas no compartimento da porta.
7. Para armazenar carne crua, coloque-a em sacos de polietileno e guarde-a na prateleira inferior. Não deixe que a carne crua entre em contacto com alimentos cozinhados, para evitar contaminações. Por razões de segurança, armazene a carne durante apenas dois ou três dias.
8. Para obter a máxima eficiência, as prateleiras amovíveis não devem ser cobertas com papel ou outros materiais para permitir a livre circulação de ar frio.
9. Não guarde óleo vegetal nas prateleiras da porta. Mantenha os alimentos embalados, envolvidos ou cobertos. Deixe arrefecer os alimentos e as bebidas quentes antes de os refrigerar. Os restos de alimentos enlatados não devem ser guardados dentro da lata.
10. As bebidas gaseificadas não devem ser congeladas. Os produtos como os gelados de água com aromas não devem ser consumidos demasiado frios.
11. Alguns frutos e vegetais deterioram-se se foram mantidos a temperaturas próximas dos 0° C. Por isso, os ananases, melões, pepinos, tomates e produtos semelhantes devem ser guardados em sacos de polietileno.
12. As bebidas alcoólicas de alta graduação devem ser guardadas na vertical e em recipientes bem fechados. Nunca armazene produtos que contenham gás inflamável (por exemplo, latas de natas à pressão, aerossóis, etc.) ou substâncias explosivas. Pode haver perigo de explosão.

Controlo e ajuste da temperatura

As temperaturas de funcionamento são controladas pelo botão do termóstato e podem ser definidas em qualquer posição entre 1 e 5 (a posição mais fria).

Se o botão do termóstato estiver na posição "0" o equipamento está desligado. Neste caso nem a lâmpada de interior acenderá.

A temperatura média dentro do frigorífico deve ser cerca de +5°C (+41°F).

Assim, ajuste o termóstato para obter a temperatura pretendida. Algumas secções do frigorífico podem estar mais frias ou mais quentes (tal como a gaveta das saladas e a parte superior do exterior frigorífico), o que é perfeitamente normal. Recomendamos que verifique periodicamente a temperatura com um termómetro, para garantir que o frigorífico se mantém à temperatura pretendida. Como as aberturas frequentes da porta causam o aumento da temperatura interior, recomendamos que a feche logo após a utilização.

Antes do funcionamento

Verificação final

Antes de começar a utilizar o frigorífico, verifique se:

1. Os pés foram ajustados de modo a garantir um perfeito nivelamento.
2. O interior está seco e se o ar pode circular livremente na parte posterior.
3. O interior está limpo, de acordo com as recomendações apresentadas na secção "Limpeza e cuidados".
4. A ficha foi introduzida na tomada de parede e se a electricidade está ligada. A luz interior se acende quando a porta é aberta.

E observe que:

5. Ouvirá um ruído quando o compressor começa a trabalhar. O líquido e os gases no interior do sistema de refrigeração também podem fazer algum ruído, independentemente do compressor estar ou não a funcionar. Esta situação é perfeitamente normal.

6. Também é normal uma pequena ondulação na parte superior do frigorífico, devido ao processo de fabrico utilizado. Não é um defeito.

7. Recomendamos a colocação do botão do termóstato na posição intermédia e que controle a temperatura para garantir que o frigorífico mantém as temperaturas de armazenamento pretendidas (Consulte a secção Ajuste e controlo da temperatura).

8. Não carregue o frigorífico imediatamente após a ligação. Aguarde até que a temperatura correcta de armazenamento seja atingida. Recomendamos a verificação da temperatura com um termómetro de precisão (Consulte a secção Ajuste e controlo da temperatura).

Armazenar alimentos congelados

O congelador está preparado para armazenar, durante longos períodos de tempo, alimentos pré-congelados e também pode ser utilizado para congelar e armazenar alimentos frescos.

Para armazenar alimentos frescos congelados em casa, consulte as informações relativas ao período de armazenamento situadas no interior da porta.

No caso de ocorrer uma falha de energia, não abra a porta. Os alimentos congelados não deverão ser afectados se a falha de energia for inferior a 19 horas. Se a falha for superior, os alimentos devem ser verificados e imediatamente consumidos ou cozinhados e, em seguida, recongelados.

Congelar alimentos frescos

Para obter os melhores resultados, as instruções a seguir apresentadas devem ser tomadas em linha de conta.

Não congele grandes quantidade de uma só vez. A qualidade dos alimentos é melhor preservada quando a congelação atinge o interior no menor tempo possível.

Não ultrapasse a capacidade de congelação do frigorífico por um período superior a 24 h. A colocação de alimentos quentes no compartimento do congelador obriga o motor de refrigeração a um funcionamento contínuo até à completa congelação dos alimentos.

Esta situação pode provocar, temporariamente, um arrefecimento excessivo do compartimento de refrigeração. Quando congelar alimentos frescos, mantenha o botão do termóstato na posição intermédia. As quantidades pequenas de alimentos até 1/2 kg. podem ser congeladas sem necessidade de ajustar o botão de controlo da temperatura.

Tenha um cuidado especial para não misturar alimentos já congelados com alimentos frescos.

Fazer cubos de gelo

Encha as formas para gelo até 3/4 da sua capacidade e coloque-as no congelador. Solte os tabuleiros congelados com uma colher ou objecto semelhante; Nunca utilize objectos pontiagudos, como facas ou garfos.

Descongelar

A) Compartimento do frigorífico

O compartimento do frigorífico descongela-se automaticamente. A água da descongelação circula até ao tubo de drenagem através de recipiente colocado na parte posterior do frigorífico (Item 5).

Durante a descongelação, podem-se formar gotas de água na parte posterior do frigorífico onde se encontra o evaporador. Algumas gotas podem permanecer no interior e recongelar depois da descongelação estar terminada. Não utilize objectos pontiagudos, como facas ou garfos, para remover as gotas que tenham recongelado.

Se, em qualquer momento, a água da descongelação não circular pelo canal de recolha, verifique se o tubo de drenagem não está obstruído com partículas de alimentos. O tubo de drenagem pode ser limpo com um escovilhão adequado ou objecto semelhante. Certifique-se que o tubo esteja colocado de forma permanente com a sua extremidade no tabuleiro de recolha no compressor para evitar o derrame de água sobre a instalação eléctrica ou no chão

(Item 6).

B) Compartimento do congelador

A descongelação é um processo muito fácil e sem dificuldades, devido a um recipiente especial para recolha da água de descongelação.

Faça a descongelação duas vezes por ano ou quando se tiver formado uma camada de gelo com, aproximadamente, 7 mm. Para iniciar o procedimento de descongelação, desligue o frigorífico retirando a ficha da tomada de parede.

Todos os alimentos devem envolvidos em várias camadas de jornal e guardados num local fresco (por exemplo, um frigorífico ou despensa).

Para acelerar a descongelação, podem ser colocados cuidadosamente recipientes com água quente.

Não utilize objectos pontiagudos, como facas ou garfos, para remover o gelo.

Para efectuar a descongelação, nunca utilize secadores de cabelo, aquecedores ou outros aparelhos eléctricos.

Com a ajuda de uma esponja, limpe a água depositada na parte inferior do compartimento do congelador. Após a descongelação, seque completamente o interior. Insira a ficha na tomada de parede e ligue o interruptor.

Substituição da lâmpada interior

Para substituir a lâmpada utilizada para a iluminação do seu frigorífico, por favor chame o seu Serviço de Assistência Autorizado.

A(s) lâmpada(s) usada(s) neste aparelho não é ou não são adequada(s) para a iluminação do espaço. A finalidade desta lâmpada é auxiliar o utilizador a colocar produtos alimentares no frigorífico/congelador, de uma forma confortável e segura.

As lâmpadas usadas neste aparelho têm de suportar condições físicas extremas, tais como temperaturas abaixo de -20°C.

Limpeza e cuidados

1. Antes de efectuar a limpeza, recomendamos que desligue o frigorífico retirando a ficha da tomada de corrente.
2. Na limpeza, nunca utilize objectos pontiagudos ou substâncias abrasivas, sabões, produtos de limpeza doméstica, detergentes ou ceras abrillantadoras.
3. Utilize água morna para limpar o exterior do frigorífico e seque-o com um pano.
4. Para limpar o interior do frigorífico, utilize um pano humedecido com uma solução composta por uma colher de chá de bicarbonato de soda dissolvido num recipiente grande de água. Em seguida, seque o interior do frigorífico com um pano.
5. Certifique-se de que não entra água na caixa de controlo da temperatura.
6. Se não pretender utilizar o frigorífico durante um longo período de tempo, desligue-o, retire todos os alimentos, limpe-o e deixe a porta entreaberta.
7. Para proteger o acabamento da pintura de alta qualidade, recomendamos que faça o polimento das partes metálicas do aparelho (por exemplo, porta exterior, laterais exteriores) com cera de silicone (cera de polimento de automóveis).
8. Todo o pó acumulado no condensador, localizado na parte posterior do frigorífico, deve ser retirado uma vez por ano com um aspirador.
9. Verifique regularmente as borrachas herméticas da porta, para assegurar que elas estão limpas e sem restos de alimentos.

10. Nunca:

- Limpe o equipamento com material inadequado como, por exemplo, produtos derivados do petróleo.
- O exponha a altas temperaturas,
- O limpe, esfregue, etc., com materiais abrasivos.

11. Remoção da tampa do compartimento para produtos lácteos e da prateleira da porta:

- Para retirar a tampa do compartimento para produtos lácteos, primeiro levante-a cerca de 2 cm e retire-a a partir da parte lateral que contém uma ranhura.
- Para retirar a prateleira da porta, remova todo o seu conteúdo e, em seguida, puxe-a cuidadosamente.

12. Certifique-se de que o recipiente especial de plástico, localizado na parte posterior do frigorífico e que recolhe a água da descongelação, está sempre limpo. Se pretender retirar o tabuleiro para limpá-lo, siga as instruções a seguir apresentadas:

- Desligue o equipamento retirando a ficha da tomada de parede
- Com a ajuda de alicate, incline ligeiramente o aro existente no compressor, de modo a poder retirar o tabuleiro
- Levante-o.
- Limpe-o e seque-o com um pano
- Volte a instalá-lo, invertendo a sequência das operações

13. Uma grande acumulação de gelo prejudicará o desempenho do equipamento.

Recolocação da porta

Siga as instruções por ordem numérica (**Item 7**).

Procedimentos correctos e incorrectos

Correcto- Limpar e descongelar periodicamente o frigorífico (Consulte a secção "Descongelação")

Correcto- Guardar a carne crua e de aves sob os alimentos cozinhados e os produtos lácteos.

Correcto- Retirar dos vegetais as folhas não utilizáveis e limpar toda a sujidade.

Correcto- Deixar as alfaces, couves, salsa e couve-flor com o talo.

Correcto- Envolver primeiro o queijo em papel vegetal e, em seguida, colocá-lo num saco de polietileno, retirando a maior quantidade de ar possível. Para obter os melhores resultados, retirar os alimentos do compartimento do frigorífico uma hora antes de consumi-los.

Correcto- Envolver a carne crua e de aves em polietileno ou papel de alumínio. Este procedimento evita que os alimentos sequem.

Correcto- Colocar o peixe e os restos em sacos de polietileno.

Correcto- Colocar os alimentos com cheiro intenso ou que possam secar em sacos de polietileno, envolvê-los em papel de alumínio ou colocá-los em recipientes herméticos.

Correcto- Envolver bem o pão para mantê-lo fresco.

Correcto- Esfriar os vinhos brancos, cervejas, e águas minerais antes de os servir.

Correcto- Verificar periodicamente o conteúdo do congelador.

Correcto- Manter os alimentos no frigorífico o menor tempo possível e respeitar as datas de validade.

Correcto- Armazenar os alimentos pré-congelados de acordo com as instruções fornecidas nas embalagens.

Correcto- Escolher sempre alimentos frescos de alta qualidade e certificar-se de que estão totalmente limpos antes de os congelar.

Correcto- Preparar os alimentos frescos para congelação em pequenas quantidades, para garantir uma congelação rápida.

Correcto- Envolver todos os alimentos em papel de alumínio ou colocá-los em sacos de polietileno para congelação, retirando todo o ar.

Correcto- Envolver os alimentos congelados imediatamente após a aquisição e colocá-los no congelador o mais rápido possível.

Correcto- Descongelar os alimentos no compartimento do frigorífico.

Incorrecto- Armazenar bananas no compartimento do frigorífico.

Incorrecto- Armazenar melões no frigorífico. Estes podem ser esfriados durante curtos períodos de tempo, desde que sejam envolvidos para evitar que fiquem com sabor de outros alimentos.

Incorrecto- Cobrir as prateleiras com materiais de protecção que possam obstruir a circulação de ar.

Incorrecto- Guardar substâncias venenosas ou perigosas no frigorífico. Ele foi concebido para armazenar apenas alimentos comestíveis.

Incorrecto- Consumir alimentos que estiveram no frigorífico durante períodos excessivos de tempo.

Incorrecto- Armazenar, no mesmo recipiente, alimentos cozinhados e frescos. Eles deverão ser embalados e guardados separadamente.

Incorrecto- Deixar que os alimentos descongelados ou sumos pinguem para os alimentos.

Incorrecto- Deixar a porta aberta durante grandes períodos de tempo, o que encarece o custo de funcionamento e causa a formação excessiva de gelo.

Incorrecto- Utilizar objectos pontiagudos, como facas ou garfos, para remover o gelo.

Incorrecto- Colocar alimentos quentes no frigorífico. Primeiro, deixe arrefecer os alimentos.

Incorrecto- Colocar garrafas ou latas herméticas completamente cheias com líquidos gaseificados, já que podem rebentar.

Incorrecto- Ultrapassar a carga máxima quando congelar alimentos frescos.

Incorrecto- Dar às crianças gelados e cubos de gelo directamente do congelador. A temperatura baixa pode provocar queimaduras nos lábios.

Incorrecto- Congelar bebidas gaseificadas.

Incorrecto- Tentar recongelar alimentos que tenham sido descongelados; Estes alimentos devem ser consumidos no prazo de 24 horas ou cozinhados e recongelados.

Incorrecto- Retirar alimentos do congelador com as mãos molhadas.

Resolução de problemas

Se o congelador não funcionar depois de ter sido ligado, verifique se:


- Se a ficha está correctamente introduzida na tomada e se a alimentação eléctrica está activa. (Para verificar a alimentação eléctrica da tomada, ligue outro aparelho).
- Se o fusível está fundido, se o disjuntor ou se o interruptor principal se desligou.
- Se o controlo de temperatura está correctamente definido.

- A nova ficha está correctamente ligada, caso a tenha substituído.

Se, após todas estas verificações, o frigorífico continuar sem funcionar, contacte o representante onde adquiriu o electrodoméstico.

Certifique-se de que efectuou todas as verificações acima apresentadas, pois se não for encontrada qualquer deficiência será debitado um valor.



O símbolo  no produto ou na embalagem indica que este produto não pode ser tratado como lixo doméstico normal. Ao contrário, deve ser encaminhado para o ponto de recolha aplicável para a reciclagem de equipamentos eléctricos e electrónicos. Ao assegurar que este equipamento seja eliminado correctamente, ajudará a prevenir potenciais efeitos negativos ao meio ambiente e à saúde humana, causados pela eliminação inadequada deste produto. Para informações mais detalhadas sobre a reciclagem deste produto, contacte a câmara municipal local, o serviço de recolha de lixo doméstico ou a loja onde adquiriu o produto.

Nous vous félicitons d'avoir choisi un appareil de qualité **BEKO**, conçu pour vous offrir de nombreuses années de service.

La sécurité d'abord !

Ne connectez pas votre appareil à l'alimentation électrique avant d'avoir enlevé tous les emballages et protections de transport.

- Attendez au moins 4 heures avant de le brancher pour permettre à l'huile du compresseur de se stabiliser si l'appareil a été transporté couché.
- Si vous vous débarrassez d'un vieil appareil à ressort ou loquet intégré à la porte, prenez soin de le rendre hors de danger pour éviter que les enfants ne s'enferment à l'intérieur.
- L'utilisation de cet appareil s'applique uniquement à l'usage prévu.
- Ne vous débarrassez pas de l'appareil dans un feu. L'isolation de votre appareil contient des substances non CFC qui sont inflammables. Veuillez contacter les autorités locales pour obtenir des renseignements concernant la mise au rebut et les endroits existants.
- L'utilisation de cet appareil dans une pièce froide, non chauffée n'est pas recommandée (garage, jardin d'hiver, annexe, abri, remise, etc.).

Afin d'obtenir les meilleurs résultats possibles et un fonctionnement sans encombres de votre appareil, veuillez lire ces instructions attentivement. Le non-respect de ces instructions pourrait annuler votre droit à l'assistance sans frais pendant la période de garantie.

Veuillez conserver ces instructions soigneusement à titre de référence pratique.

Les pièces détachées d'origine sont disponibles pendant 10 ans, à compter de la date d'achat du produit.

Cet appareil ne sera pas utilisé par des personnes ayant capacités physiques, sensorielles ou mentales réduites, ou sans expérience concernant l'utilisation de l'appareil, si une personne responsable de leur sécurité ne les a pas instruites pour ce but.

Les enfants doivent être surveillés pour avoir la certitude qu'ils ne jouent pas avec l'appareil.

Conditions électriques

Avant de brancher l'appareil à la prise murale, vérifiez que la tension et la fréquence indiquées sur la plaque signalétique à l'intérieur de l'appareil correspondent à votre alimentation électrique.

Nous recommandons de connecter cet appareil au réseau électrique par le biais d'une prise dotée d'un commutateur et d'un fusible et placée de façon à être facile d'accès.

Avertissement ! Cet appareil doit être branché à une borne de mise à la terre.

Les réparations de l'appareillage électrique sont réservées exclusivement à un technicien qualifié. De mauvaises réparations réalisées par une personne non qualifiée peuvent occasionner des risques dont les conséquences peuvent être critiques pour l'utilisateur de l'appareil.

ATTENTION !

Cet appareil fonctionne avec du R 600a, un gaz qui contribue à la protection de l'environnement mais qui est inflammable. Pendant le transport et l'installation du produit, veillez à ne pas endommager le système réfrigérant. Si le système réfrigérant est abîmé et qu'une fuite de gaz se produit, tenez l'appareil à l'écart des sources de flammes vives et aérer bien la pièce.

AVERTISSEMENT - N'utilisez pas d'outils mécaniques ou autres moyens pour accélérer le processus de décongélation autres que ceux qui sont recommandés par le fabricant.

AVERTISSEMENT - N'abîmez pas le circuit réfrigérant.

AVERTISSEMENT - Ne faites pas fonctionner d'appareils électriques à l'intérieur des compartiments de conservation de denrées, à moins qu'ils soient conformes au type d'appareils recommandés par le fabricant.

AVERTISSEMENT - Si le cordon d'alimentation est endommagé, celui-ci doit être remplacé par le fabricant, ses agents agréés ou tout autre agent qualifié afin d'être à l'abri de tout danger.

Instructions de transport

1. L'appareil doit être transporté en position debout uniquement. L'emballage fourni doit rester intact pendant le transport.

2. Si l'appareil a été couché pendant le transport, il ne doit pas être mis en service pendant au moins 4 heures pour permettre au système de se stabiliser.

3. Le non-respect des instructions ci-dessus pourrait endommager l'appareil et ne saurait engager la responsabilité du fabricant.

4. L'appareil doit être protégé contre la pluie, l'humidité et autres conditions atmosphériques.

Important !

- Lors du nettoyage/déplacement de l'appareil, prenez soin de ne pas toucher les câbles métalliques du condenseur au dos de l'appareil, cela pouvant occasionner des blessures aux doigts et aux mains.
- N'essayez pas de vous asseoir ou de vous monter sur l'appareil, celui-ci n'étant pas prévu à cet effet. Vous pourriez vous blesser ou endommager l'appareil.
- Assurez-vous que le câble d'alimentation ne soit pas coincé sous l'appareil pendant et après son déplacement car cela pourrait endommager le câble.
- Veillez à ce que les enfants ne jouent pas avec l'appareil et ne touchent pas aux commandes.

Instructions d'installation

1. N'installez pas votre appareil dans une pièce dont la température peut descendre en dessous de 10 degrés Celsius (50 degrés Fahrenheit) la nuit et/ou particulièrement en hiver. En effet, il est conçu pour fonctionner à des températures ambiantes comprises entre +10 et +38 degrés Celsius (50 et 100 degrés Fahrenheit). En cas de températures inférieures, l'appareil peut ne pas fonctionner correctement et la durée de conservation des denrées pourrait être réduite.

2. Ne placez pas l'appareil à proximité de cuisinières, radiateurs ou à la lumière directe du soleil, car cela entraînerait un effort supplémentaire pour les fonctions de l'appareil. S'il est installé à côté d'une source de chaleur ou d'un congélateur, respectez les dégagements latéraux minimum suivants :

- des cuisinières 30 mm
- des radiateurs 300 mm
- des congélateurs 25 mm

3. Assurez-vous de laisser suffisamment d'espace autour de l'appareil pour que l'air puisse circuler librement (**figure 2**).

• Placez la grille d'aération au dos de votre réfrigérateur pour établir la distance nécessaire entre le réfrigérateur et le mur (**figure 3**).

4. L'appareil doit être posé sur une surface lisse. Les deux pieds avant peuvent se régler si nécessaire. Pour s'assurer que votre appareil est à niveau, ajustez les deux pieds avant en tournant dans le sens des aiguilles d'une montre ou dans le sens inverse jusqu'à ce que l'appareil soit bien calé au sol. Le réglage approprié des pieds évite les vibrations excessives et le bruit (**figure 4**).

5. Référez-vous à la section « Nettoyage et Entretien » pour préparer votre appareil à l'emploi.

Apprendre à connaître votre appareil (Figure 1)

- 1 - Clayette du congélateur
- 2 - Ventilateur
- 3 - Logement du thermostat et de la lampe
- 4 - Clayettes réglables
- 5 - Clayette support bouteille
- 6 - Voie de récupération de l'eau de dégivrage - Tube d'écoulement
- 7 - Couvercle du bac à légumes
- 8 - Bac à légumes
- 9 - Pieds avant réglables
- 10 - Compartiment produits laitiers
- 11 - Clayette à bocaux
- 12 - Clayette range-bouteilles

Suggestion d'agencement des denrées dans l'appareil

Indications pour obtenir une conservation et une hygiène optimales :

1. Le compartiment réfrigérateur est destiné à la conservation à court terme d'aliments frais et boissons.

2. Le compartiment congélateur est de niveau **✱ ✱ ✱** et est destiné à la congélation et la conservation de denrées surgelées.

La recommandation de conservation **✱ ✱ ✱** indiquée sur l'emballage des aliments doit toujours être respectée.

3. Les aliments cuisinés doivent être conservés dans des récipients hermétiques.

4. Les produits frais emballés peuvent être placés sur la clayette. Les fruits et légumes frais doivent être lavés et rangés dans les bacs à légumes.

5. Les bouteilles peuvent être placées dans la porte.

6. Pour conserver la viande crue, emballez-la dans des sachets plastiques et placez-la sur la clayette la plus basse. Veillez à ce qu'elle ne touche pas les aliments cuisinés afin d'éviter toute contamination. Pour votre sécurité, ne conservez pas la viande crue plus de deux à trois jours.

7. Pour une efficacité optimale, ne couvrez pas les clayettes amovibles de papier ou autres matériaux afin que l'air puisse circuler librement.

8. Ne conservez pas d'huile végétale dans les balconnets de porte. Conservez les denrées emballés, enveloppées ou couvertes. Laissez refroidir les aliments et boissons chauds avant de les introduire dans le réfrigérateur. Le reste du contenu des boîtes de conserve ne doit pas être conservé dans la boîte.

9. Ne congélez pas de boissons gazeuses et ne consommez pas de produits tels que des bâtonnets glacés à l'eau lorsqu'ils sont trop froids.

10. Certains fruits et légumes s'abîment s'ils sont conservés à une température avoisinant 0°C. Emballez les ananas, melons, concombres, tomates et produits similaires dans des sacs en polyéthylène.

11. L'alcool à teneur élevée doit être conservé debout dans des récipients fermés hermétiquement. Ne conservez jamais de produits contenant du gaz propulseur inflammable (crème en bombe, bombes aérosols, etc.) ou des substances explosives. Ils présentent un risque d'explosion.

Commande de température et réglages

Les températures de fonctionnement s'ajustent à l'aide de la manette du thermostat et sont réglables de manière continue entre 1 et 5 (réglage le plus froid).

Si la manette du thermostat se trouve sur la position « 0 », l'appareil est éteint. Dans ce cas-là, l'éclairage intérieur ne fonctionnera pas.

La température médiane à l'intérieur du réfrigérateur avoisine les +5°C (+41°F). Réglez donc le thermostat de façon à obtenir la température souhaitée. Certaines parties du réfrigérateur peuvent être plus fraîches ou plus chaudes (telles que le bac à légumes et la partie supérieure du compartiment), ce qui est tout à fait normal. Nous vous conseillons de vérifier la température régulièrement à l'aide d'un thermomètre pour s'assurer que le compartiment est maintenu à cette température. Si la porte est ouverte fréquemment, les températures internes montent. Il est donc conseillé de fermer la porte immédiatement après utilisation.

Avant l'utilisation

Vérification finale

Avant de commencer à utiliser l'appareil, vérifiez que :

1. Les pieds ont été ajustés et sont parfaitement à niveau.
2. L'intérieur est sec et l'air peut circuler librement derrière l'appareil.
3. L'intérieur est propre, conformément aux indications de la section « Nettoyage et entretien ».
4. La prise de l'appareil a été branchée dans la prise murale et le courant passe. Lorsque la porte est ouverte, l'éclairage intérieur s'allumera.

Notez que :

5. Vous remarquerez un bruit lorsque le compresseur se met en marche. Le liquide et les gaz intégrés au système du réfrigérateur peuvent également faire du bruit, que le compresseur soit en marche ou non. Ceci est tout à fait normal.

6. Une légère ondulation du dessus de la carrosserie est normale du fait du procédé de fabrication utilisé et ne constitue pas un défaut.

7. Nous recommandons de régler la manette du thermostat sur la position médiane et de contrôler la température pour vérifier que l'appareil maintienne les températures de conservation souhaitées (voir la section Commande de température et Réglages).

8. Ne remplissez pas l'appareil immédiatement après l'avoir branché. Attendez que la bonne température de conservation soit atteinte. Nous vous conseillons de vérifier la température à l'aide d'un thermomètre précis (voir Commande de température et Réglages).

Conservation des denrées surgelées

Votre congélateur est destiné à la conservation à long terme d'aliments surgelés du commerce et peut servir également à congeler et conserver des produits frais. En ce qui concerne la conservation d'aliments frais congelés au domicile, consultez le guide de durée de conservation situé sur la contre-porte.

En cas de panne de courant, n'ouvrez pas la porte. Les denrées surgelées ne devraient pas s'abîmer si la coupure dure moins de 19 heures. Si la coupure est plus longue, inspectez les denrées et mangez-les immédiatement ou bien faites-les cuire puis congeler-les à nouveau.

Congeler les produits frais

Veuillez respecter les instructions suivantes afin d'obtenir les meilleurs résultats. Ne congelez pas une quantité trop importante à la fois. La qualité des aliments est préservée de façon optimale lorsqu'ils sont entièrement congelés aussi rapidement que possible. Ne dépassez pas le pouvoir de congélation de votre appareil pour 24 heures. Le fait d'introduire des aliments chauds dans le congélateur entraîne le fonctionnement du dispositif de réfrigération en continu jusqu'à ce que les aliments soient entièrement congelés.

Cela peut occasionner un refroidissement excessif temporaire du compartiment réfrigérateur.

Lorsque vous congélez des produits frais, laissez la manette du thermostat sur la position médiane. De petites quantités de nourriture ne dépassant pas 0,5 kg (1 lb) peuvent être congelées sans avoir à ajuster la commande de température.

Faites particulièrement attention à ne pas mélanger les produits déjà congelés et les produits frais.

Fabrication de glaçons

Remplissez les bacs à glaçons d'eau jusqu'aux $\frac{3}{4}$ et introduisez les dans le congélateur. Dégagez les bacs à glaçons à l'aide du manche d'une cuillère ou outil similaire, n'utilisez jamais d'objets tranchants tels que des couteaux ou fourchettes.

Dégivrage

A) Compartiment réfrigérateur

Le compartiment réfrigérateur dégivre automatiquement. L'eau de dégivrage s'évacue par le tube d'écoulement et se déverse dans le bac de récupération à l'arrière de l'appareil (**figure 5**).

Pendant le dégivrage, des gouttelettes d'eau peuvent se former à l'arrière du compartiment réfrigérateur, où un évaporateur est dissimulé. Des gouttelettes peuvent rester sur la cuve et geler une fois le dégivrage achevé. N'utilisez pas d'objets pointus ou tranchants tels que couteaux ou fourchettes pour enlever les gouttelettes ayant gelé à nouveau.

Si, à tout moment, l'eau de dégivrage ne s'évacue pas par la gouttière de récupération, vérifiez qu'aucune particule alimentaire ne bloque le tube d'écoulement. Le tube d'écoulement peut être débouché à l'aide d'un cure-pipe ou autre outil similaire.

Vérifiez que le tube soit placé de façon permanente de telle manière que son extrémité se trouve dans le bac récupérateur situé sur le compresseur afin d'éviter que l'eau n'entre en contact avec l'installation électrique ou le sol (**figure 6**).

B) Compartiment congélateur

Le dégivrage est très simple et sans encombre grâce au bac spécial de récupération de l'eau de dégivrage. Dégivrez deux fois par an ou lorsque la couche de givre atteint environ 7 mm (1/4"). Pour procéder au dégivrage, déconnectez l'appareil et débranchez la prise d'alimentation.

Emballer les denrées dans plusieurs couches de papier journal et stockez-les dans un endroit frais (réfrigérateur ou cellier par exemple).

Des récipients d'eau chaude peuvent être placés avec précaution dans le congélateur pour accélérer le dégivrage.

N'utilisez pas d'objets pointus ou tranchants tels que couteaux ou fourchettes pour enlever le givre.

N'utilisez jamais de sèche-cheveux, radiateurs électriques ou autres appareils électriques similaires pour dégivrer.

Épongez l'eau de dégivrage située au fond du compartiment congélateur. Une fois le dégivrage terminé, séchez soigneusement l'intérieur. Branchez l'appareil à la prise murale et rétablissez l'alimentation électrique.

Remplacer l'ampoule intérieure

Pour remplacer la lampe LED du réfrigérateur, veuillez contacter le service après-vente agréé.

La lampe (s) utilisé dans cet appareil ne convient pas pour l'éclairage de la salle de ménage. Le but visé par cette lampe est d'aider à l'utilisateur de placer les aliments dans le réfrigérateur / congélateur d'une manière sûre et confortable. Les voyants utilisés dans cet appareil doivent résister aux conditions physiques extrêmes telles que des températures inférieures à -20°C.

Repositionnement de la porte

Procédez dans l'ordre numérique (**figure 7**).

Nettoyage et entretien

1. Avant de procéder au nettoyage, veuillez déconnecter le réfrigérateur et débrancher la prise d'alimentation.

2. N'utilisez jamais d'ustensiles tranchants ni de substances abrasives, savon, produit de nettoyage domestique, détergent ou cirage pour le nettoyer.

3. Utilisez de l'eau tiède pour nettoyer la carrosserie et séchez soigneusement à l'aide d'un chiffon.

4. Utilisez un chiffon humide imbibé d'une solution composée d'une cuillère à café de bicarbonate de soude pour un demi litre d'eau pour nettoyer l'intérieur et séchez soigneusement.

5. Prenez soin de ne pas faire couler d'eau dans le boîtier de commande de température.

6. En cas de non utilisation de l'appareil pendant une période prolongée, débranchez-le, sortez toutes les denrées, nettoyez-le et laissez la porte entrouverte.

7. Il est recommandé de polir les parties métalliques de votre appareil (extérieur de la porte, parois latérales de la carrosserie) à l'aide d'une cire en silicone (cire pour voiture) pour protéger la surface peinte de qualité supérieure.

8. Dépoussiérez le condenseur situé à l'arrière de l'appareil une fois par an à l'aide d'un aspirateur.

9. Inspectez les joints de porte régulièrement pour vérifier qu'ils sont propres et qu'il n'y a pas de particules de nourriture.

10. Ne jamais :

- Nettoyer l'appareil au moyen d'un produit inadapté, à base de pétrole par exemple.
- L'exposer à de hautes températures en aucune façon.
- Récurer, frotter etc. avec un matériau abrasif.

11. Retirer les balconnets :

- Pour retirer un balconnet, sortez tout son contenu puis poussez simplement le balconnet vers le haut à partir de la base.

12. Assurez-vous que le récipient spécial en plastique à l'arrière de l'appareil qui récupère l'eau de dégivrage soit propre en permanence. Si vous souhaitez retirer le bac pour le nettoyer, suivez les instructions ci-dessous :

- Déconnecter la prise de courant et débrancher la prise d'alimentation.
- Dessertir doucement le goujon situé sur le compresseur à l'aide d'une pince afin de pouvoir enlever le bac.
- Soulevez-le.
- Nettoyez et séchez-le soigneusement.
- Ré-assemblez, en procédant dans l'ordre inverse des opérations.

13. Une couche de glace trop épaisse diminuera les résultats de l'appareil.

A faire / A ne pas faire

À faire- Nettoyer et dégivrer votre appareil régulièrement (voir « Dégivrage »).

À faire- Conserver la viande et volaille crue en dessous des aliments cuits et produits laitiers.

À faire- Ôter les feuilles inutilisables des légumes et enlever la terre.

À faire- Laisser la salade, chou, persil et chou-fleur sur leur tige.

À faire- Emballer le fromage d'abord dans du papier sulfurisé puis dans un sachet plastique, en retirant le plus d'air possible. Pour les meilleurs résultats possibles, le sortir du compartiment réfrigérateur une heure avant la dégustation.

À faire- Emballer viande et volaille crue dans un sachet plastique ou aluminium. Cela évite qu'elles ne se dessèchent.

À faire- Emballer le poisson et les abats dans des sachets plastiques.

À faire- Envelopper les denrées dont l'odeur est forte ou risquant de se dessécher dans des sacs en polyéthylène, du papier aluminium ou récipient hermétique.

À faire- Envelopper le pain soigneusement pour qu'il reste frais.

À faire- Réfrigérer les vins blancs, bière, bière blonde et eau minérale avant de servir.

À faire- Inspecter le contenu du congélateur à intervalles réguliers.

À faire- Conserver les denrées pendant une durée aussi courte que possible et respecter les « dates limite de conservation » et « dates limite de consommation ».

À faire- Stockez les aliments surgelés dans le commerce selon les instructions indiquées sur les emballages.

À faire- Toujours Sélectionner des produits frais de bonne qualité et veiller à les nettoyer soigneusement avant de les congeler.

À faire- Préparer de petites portions de produits frais à congeler pour permettre une congélation rapide.

À faire- Emballer toutes les denrées dans du papier aluminium ou des sachets congélation en polyéthylène de bonne qualité et veiller à le vider de son air.

À faire- Emballer les produits surgelés juste après les avoir achetés et les mettre au congélateur dès que possible.

À faire- Dégeler les aliments dans le compartiment réfrigérateur.

À éviter- Conserver les bananes dans le compartiment réfrigérateur.

À éviter- Conserver le melon au réfrigérateur. Il peut être réfrigéré pendant de courtes durées dans la mesure où il est emballé pour éviter de parfumer d'autres denrées.

À éviter- Couvrir les clayettes de matériaux de protection qui pourraient obstruer la circulation d'air.

À éviter- Conserver des substances toxiques ou dangereuses dans l'appareil. Ce dernier a été conçu pour la conservation de denrées alimentaires uniquement.

À éviter- Consommer des aliments qui ont été réfrigéré pendant une durée excessive.

À éviter- Conserver les aliments cuits et les produits frais ensemble dans le même récipient. Ils doivent être emballés et conservés séparément.

À éviter- Laisser les aliments ou jus des aliments en train de dégeler goutter sur les denrées de votre réfrigérateur.

À éviter- Laisser la porte ouverte pendant une durée prolongée car cela augmentera le coût de fonctionnement de l'appareil et entraînera un dépôt excessif de glace.

À éviter- Utiliser des objets tranchants tels que couteaux ou fourchettes pour enlever la glace.

À éviter- Introduire des aliments chauds dans l'appareil. Le laisser refroidir au préalable.

À éviter- Mettre des bouteilles remplies de liquide ou cannettes fermées hermétiquement contenant des liquides gazeux au congélateur car elles pourraient éclater.

À éviter- Dépasser le pouvoir de congélation maximal lors de la congélation de produits frais.

À éviter- Consommer de la glace ou des bâtonnets glacés dès leur sortie du congélateur. La basse température peut provoquer des brûlures aux lèvres.

À éviter- Congeler des boissons gazeuses.

À éviter- Conserver un produit congelé qui a été dégelé ; il doit être consommé sous 24 heures ou bien cuit puis recongelé.

À éviter- Sortir des produits du congélateur avec les mains mouillées.

Diagnostic

Si l'appareil ne fonctionne pas quand il est branché, vérifiez :

- Que la prise de l'appareil est branchée correctement à la prise murale et que le courant passe (pour vérifier l'alimentation à la prise murale, branchez un autre appareil).
- Si le fusible a sauté/le disjoncteur s'est déclenché/l'interrupteur du réseau d'alimentation est éteint.
- Que la commande de température soit réglée correctement.

- Que la nouvelle prise soit montée correctement si vous avez changé la prise moulée intégrée.

Si l'appareil ne fonctionne toujours pas après avoir effectué toutes les vérifications ci-dessus, contactez le fournisseur qui vous a vendu le produit.

Veillez vous assurer d'avoir effectué toutes les vérifications ci-dessus car vous serez facturés si aucun défaut n'est détecté.

Recyclage



Ce produit est marqué du symbole du tri sélectif, relatif aux déchets d'équipements électriques et électroniques. Cela signifie que ce produit doit être pris en charge par un système de collecte sélectif conformément à la directive européenne 2002/96/CE, afin de pouvoir être recyclé ou démantelé dans le but de réduire tout impact sur l'environnement. Attention les produits électroniques n'ayant pas fait l'objet d'un tri sélectif sont potentiellement dangereux pour l'environnement et la santé humaine en raison de la présence potentielle de substances dangereuses.

4578332246/AF
EN,IT,UA,RUS,ES,PT,FR

www.beko.com