



Refrigerator / Freezer

Congélateur / Réfrigérateur

Kühlschrank Gefrierschrank

Šaldytuvas / Šaldiklis

Ledusskapis / Saldētava

RCSA365K31W

Please read this user manual first!

Dear Customer,

We hope that your product, which has been produced in modern plants and checked under the most meticulous quality control procedures, will provide you an effective service.

Therefore, read this entire user manual carefully before using the product and keep it as a reference. If you handover the product to someone else, give the user manual as well.

The user manual will help you use the product in a fast and safe way.

- Read the manual before installing and operating the product.
- Make sure you read the safety instructions.
- Keep the manual in an easily accessible place as you may need it later.
- Read the other documents given with the product.

Remember that this user manual is also applicable for several other models. Differences between models will be identified in the manual.

Explanation of symbols

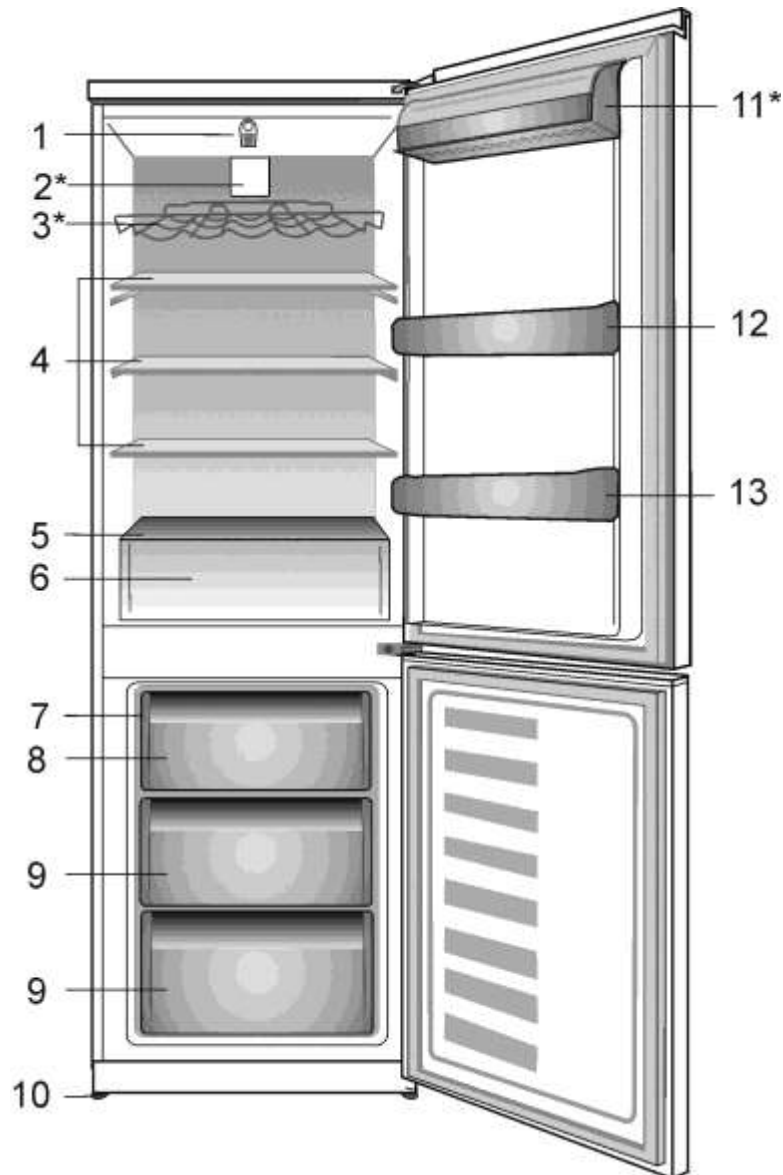
Throughout this user manual the following symbols are used:

- C Important information or useful tips.
- A Warning against dangerous conditions for life and property.
- B Warning against electric voltage.

CONTENTS

| | | | |
|---|-----------------|--|------------------|
| <u>1 Your refrigerator</u> | <u>3</u> | | |
| <u>2 Important Safety Warnings</u> | <u>4</u> | | |
| Intended use..... | 4 | | |
| General safety..... | 4 | | |
| For products with a water dispenser..... | 6 | | |
| Child safety..... | 6 | | |
| Compliance with the WEEE Regulation and Disposing of the Waste Product..... | 6 | | |
| Package information..... | 7 | | |
| HCA warning..... | 7 | | |
| Things to be done for energy saving..... | 7 | | |
| <u>3 Installation</u> | <u>8</u> | | |
| Points to be paid attention to when the relocation of the refrigerator..... | 8 | | |
| Before you start the refrigerator,..... | 8 | | |
| Electrical connection..... | 9 | | |
| Disposing of the packaging..... | 9 | | |
| Disposing of your old refrigerator..... | 9 | | |
| Placing and Installation..... | 9 | | |
| Changing the illumination lamp | 9 | | |
| Adjusting the legs..... | 9 | | |
| | | <u>4 Preparation</u> | <u>11</u> |
| | | <u>5 Using your refrigerator</u> | <u>12</u> |
| | | Thermostat setting button..... | 12 |
| | | Defrost..... | 13 |
| | | Freezing fresh food..... | 14 |
| | | Recommendations for preservation of frozen food..... | 15 |
| | | Recommendations for the fresh food compartment..... | 15 |
| | | Reversing the doors..... | 16 |
| | | <u>6 Maintenance and cleaning</u> | <u>17</u> |
| | | Avoiding bad odours..... | 17 |
| | | Protection of plastic surfaces | 17 |
| | | <u>7 Troubleshooting</u> | <u>18</u> |

1 Your refrigerator



- | | |
|--|---------------------------|
| 1. Setting knob and interior light | 10. Adjustable front feet |
| 2. Fresh Food fan* | 11. Dairy Compartment* |
| 3. Wine bottles support* | 12. Shelf |
| 4. Adjustable Cabinet shelves | 13. Self for bottles |
| 5. Cover glass | |
| 6. Salad crispers | |
| 7. Ice tray support & ice tray | |
| 8. Compartment for quickly freezing | |
| 9. Compartments for frozen foods keeping | |
- * **Optional**

C Figures that take place in this instruction manual are schematic and may not correspond exactly with your product. If the subject parts are not included in the product you have purchased, then it is valid for other models.

2 Important Safety Warnings

Please review the following information. Failure to observe this information may cause injuries or material damage. Otherwise, all warranty and reliability commitments will become invalid.

The service life of your product is 10 years. During this period, original spare parts will be available to operate the product properly.

Intended use

This product is intended to be used

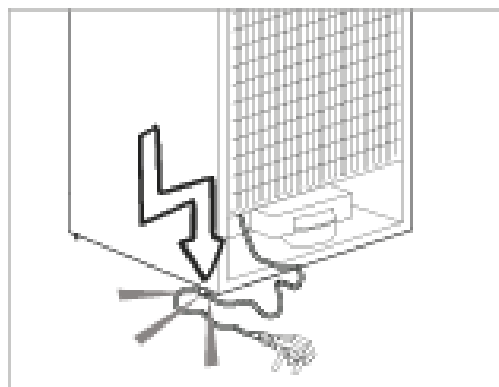
- indoors and in closed areas such as homes;
- in closed working environments such as stores and offices;
- in closed accommodation areas such as farm houses, hotels, pensions.
- It should not be used outdoors.

General safety

- When you want to dispose/scrap the product, we recommend you to consult the authorized service in order to learn the required information and authorized bodies.
- Consult your authorized service for all your questions and problems related to the refrigerator. Do not intervene or let someone intervene to the refrigerator without notifying the authorised services.
- For products with a freezer compartment; Do not eat cone ice cream and ice cubes immediately after you take them out of the freezer compartment! (This may cause frostbite in your mouth.)

- For products with a freezer compartment; Do not put bottled and canned liquid beverages in the freezer compartment. Otherwise, these may burst.
- Do not touch frozen food by hand; they may stick to your hand.
- Unplug your refrigerator before cleaning or defrosting.
- Vapor and vaporized cleaning materials should never be used in cleaning and defrosting processes of your refrigerator. In such cases, the vapor may get in contact with the electrical parts and cause short circuit or electric shock.
- Never use the parts on your refrigerator such as the door as a means of support or step.
- Do not use electrical devices inside the refrigerator.
- Do not damage the parts, where the refrigerant is circulating, with drilling or cutting tools. The refrigerant that might blow out when the gas channels of the evaporator, pipe extensions or surface coatings are punctured causes skin irritations and eye injuries.
- Do not cover or block the ventilation holes on your refrigerator with any material.
- Electrical devices must be repaired by only authorised persons. Repairs performed by incompetent persons create a risk for the user.

- In case of any failure or during a maintenance or repair work, disconnect your refrigerator's mains supply by either turning off the relevant fuse or unplugging your appliance.
- Do not pull by the cable when pulling off the plug.
- Place the beverage with higher proofs tightly closed and vertically.
- Never store spray cans containing flammable and explosive substances in the refrigerator.
- Do not use mechanical devices or other means to accelerate the defrosting process, other than those recommended by the manufacturer.
- This product is not intended to be used by persons with physical, sensory or mental disorders or unlearned or inexperienced people (including children) unless they are attended by a person who will be responsible for their safety or who will instruct them accordingly for use of the product.
- Do not operate a damaged refrigerator. Consult with the service agent if you have any concerns.
- Electrical safety of your refrigerator shall be guaranteed only if the earth system in your house complies with standards.
- Exposing the product to rain, snow, sun and wind is dangerous with respect to electrical safety.
- Contact authorized service when there is a power cable damage to avoid danger.
- Never plug the refrigerator into the wall outlet during installation. Otherwise, risk of death or serious injury may arise.
- This refrigerator is intended for only storing food items. It must not be used for any other purpose.
- Label of technical specifications is located on the left wall inside the refrigerator.
- Never connect your refrigerator to electricity-saving systems; they may damage the refrigerator.
- If there is a blue light on the refrigerator, do not look at the blue light with optical tools.
- For manually controlled refrigerators, wait for at least 5 minutes to start the refrigerator after power failure.
- This operation manual should be handed in to the new owner of the product when it is given to others.
- Avoid causing damage on power cable when transporting the refrigerator. Bending cable may cause fire. Never place heavy objects on power cable.
- Do not touch the plug with wet hands when plugging the product.



- Do not plug the refrigerator if the wall outlet is loose.
- Water should not be sprayed on inner or outer parts of the product for safety purposes.

- Do not spray substances containing inflammable gases such as propane gas near the refrigerator to avoid fire and explosion risk.
- Never place containers filled with water on top of the refrigerator; in the event of spillages, this may cause electric shock or fire.
- Do not overload the refrigerator with food. If overloaded, the food items may fall down and hurt you and damage refrigerator when you open the door.
- Never place objects on top of the refrigerator; otherwise, these objects may fall down when you open or close the refrigerator's door.
- As they require a precise temperature, vaccines, heat-sensitive medicine and scientific materials and etc. should not be kept in the refrigerator.
- If not to be used for a long time, refrigerator should be unplugged. A possible problem in power cable may cause fire.
- The plug's tip should be cleaned regularly with a dry cloth; otherwise, it may cause fire.
- Refrigerator may move if adjustable legs are not properly secured on the floor. Properly securing adjustable legs on the floor can prevent the refrigerator to move.
- When carrying the refrigerator, do not hold it from door handle. Otherwise, it may be snapped.
- When you have to place your product next to another refrigerator or freezer, the distance between devices should be at least 8cm. Otherwise, adjacent side walls may be humidified.

For products with a water dispenser;

Pressure of water mains should be minimum 1 bar. Pressure of water mains should be maximum 8 bars.


- Use only potable water.

Child safety

- If the door has a lock, the key should be kept away from reach of children.
- Children must be supervised to prevent them from tampering with the product.

Compliance with the WEEE Regulation and Disposing of the Waste Product



The symbol  on the product or on packaging indicates that this product may not be treated as household waste. Instead it shall be handed over to the applicable collection point for the recycling of electrical and electronic equipment. By ensuring this product is disposed of correctly, you will help prevent potential negative consequences for the environment and human health, which could otherwise be caused by inappropriate waste handling of this product. For more detailed information about recycling of this product, please contact your local city office, your household waste disposal service or the shop where you purchased the product.

Package information

Packaging materials of the product are manufactured from recyclable materials in accordance with our National Environment Regulations. Do not dispose of the packaging materials together with the domestic or other wastes. Take them to the packaging material collection points designated by the local authorities.

Do not forget...

Any recycled substance is an indispensable matter for nature and our national asset wealth.

If you want to contribute to the reevaluation of the packaging materials, you can consult to your environmentalist organizations or the municipalities where you are located.

HCA warning

If your product's cooling system contains R600a:

This gas is flammable. Therefore, pay attention to not damaging the cooling system and piping during usage and transportation. In the event of damage, keep your product away from potential fire sources that can cause the product catch a fire and ventilate the room in which the unit is placed.

Type of gas used in the product is stated in the type label which is on the left wall inside the refrigerator.

Never throw the product in fire for disposal.

Things to be done for energy Saving

- Do not leave the doors of your refrigerator open for a long time.
- Do not put hot food or drinks in your refrigerator.
- Do not overload your refrigerator so that the air circulation inside of it is not prevented.
- Do not install your refrigerator under direct sunlight or near heat emitting appliances such as ovens, dishwashers or radiators. Keep your refrigerator at least 30cm away from heat emitting sources and at least 5cm from electrical ovens.
- Pay attention to keep your food in closed containers.
- You can load maximum amount of food to the freezer compartment of the refrigerator by removing the freezer compartment drawers. Declared energy consumption value of the refrigerator was determined with the freezer compartment drawers removed. There is no risk in using a shelf or drawer suitable for the shapes and sizes of the foods to be frozen.
- Thawing frozen food in fridge compartment will both provide energy saving and preserve the food quality.

○ The ambient temperature of the room where you install the refrigerator should at least be 10°C. Operating your refrigerator under colder conditions than this is not recommended.

○ Inside of your refrigerator must be cleaned thoroughly.

3 Installation

B In case the information which are given in the user manual are not taken into account, manufacturer will not assume any liability for this.

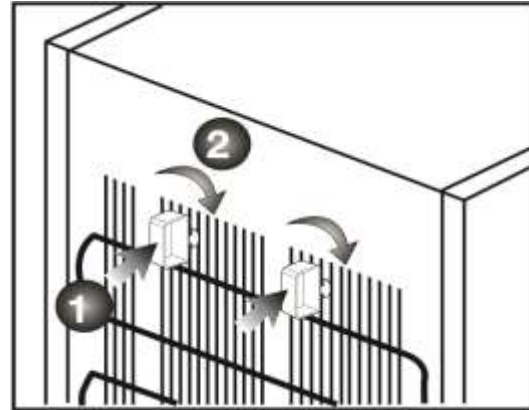
Points to be paid attention to when the relocation of the refrigerator

1. Your refrigerator should be unplugged. Before transportation of your refrigerator, it should be emptied and cleaned.
2. Before it is re-packaged, shelves, accessories, crisper, etc. inside your refrigerator should be fixed with adhesive tape and secured against impacts. Package should be bound with a thick tape or sound ropes and the transportation rules on the package should be strictly observed.
3. Original packaging and foam materials should be kept for future transportations or moving.

Before you start the refrigerator,

Check the following before you start to use your refrigerator:

1. Attach 2 plastic wedges as illustrated below. Plastic wedges are intended to keep the distance which will ensure the air circulation between your refrigerator and the wall. (The picture is drawn up as a representation and it is not identical with your product.)



2. Clean the interior of the refrigerator as recommended in the “Maintenance and cleaning” section.
3. Connect the plug of the refrigerator to the wall socket. When the fridge door is opened, fridge internal lamp will turn on.
4. When the compressor starts to operate, a sound will be heard. The liquid and gases sealed within the refrigeration system may also give rise to noise, even if the compressor is not running and this is quite normal.
5. Front edges of the refrigerator may feel warm. This is normal. These areas are designed to be warm to avoid condensation.

Electrical connection

Connect your product to a grounded socket which is being protected by a fuse with the appropriate capacity. Important:

The connection must be in compliance with national regulations.

- The power plug must be easily accessible after installation.
- Electrical safety of your refrigerator shall be guaranteed only if the earth system in your house complies with standards.
- The voltage stated on the label located at left inner side of your product should be equal to your network voltage.
- **Extension cables and multi plugs must not be used for connection.**

B A damaged power cable must be replaced by a qualified electrician.

B Product must not be operated before it is repaired! There is the risk of electric shock!

Disposing of the packaging

The packing materials may be dangerous for children. Keep the packing materials out of the reach of children or dispose of them by classifying them in accordance with the waste instructions stated by your local authorities. Do not throw away with regular house waste, throw away on packaging pick up spots designated by the local authorities.

The packing of your refrigerator is produced from recyclable materials.

Disposing of your old Refrigerator

Dispose of your old refrigerator without giving any harm to the environment.

- You may consult your authorized dealer or waste collection center of your municipality about the disposal of your refrigerator.

Before disposing of your refrigerator, cut out the electric plug and, if there are any locks on the door, make them inoperable in order to protect children against any danger.

Placing and Installation

A If the entrance door of the room where the refrigerator will be installed is not wide enough for the refrigerator to pass through, then call the authorized service to have them remove the doors of your refrigerator and pass it sideways through the door.

1. Install your refrigerator to a place that allows ease of use.
2. Keep your refrigerator away from heat sources, humid places and direct sunlight.
3. There must be appropriate air ventilation around your refrigerator in order to achieve an efficient operation. If the refrigerator is to be placed in a recess in the wall, there must be at least 5 cm distance with the ceiling and at least 5 cm with the wall. Do not place your product on the materials such as rug or carpet.
4. Place your refrigerator on an even floor surface to prevent jolts.

Changing the illumination Lamp

To change the Bulb/LED used for illumination of your refrigerator, call your AuthorisedService.

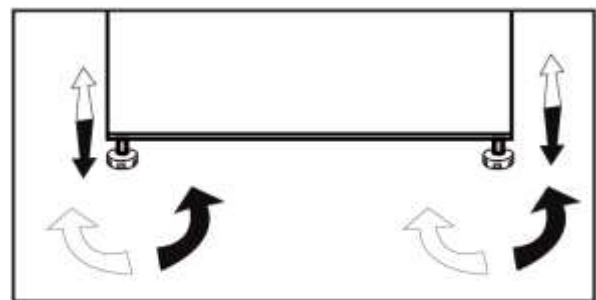
The lamp(s) used in this appliance is not suitable for household room illumination. The intended purpose of this lamp is to assist the user to place foodstuffs in the refrigerator/freezer in a safe and comfortable way.

The lamps used in this appliance have to withstand extreme physical conditions such as temperatures below -20°C .

Adjusting the legs

If your refrigerator is unbalanced;

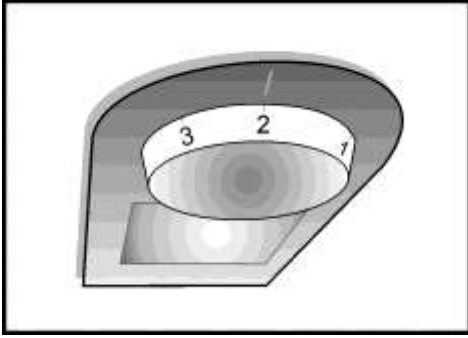
You can balance your refrigerator by turning its front legs as illustrated in the figure. The corner where the leg exists is lowered when you turn in the direction of black arrow and raised when you turn in the opposite direction. Taking help from someone to slightly lift the refrigerator will facilitate this process.



4 Preparation

- Your refrigerator should be installed at least 30 cm away from heat sources such as hobs, ovens, central heater and stoves and at least 5 cm away from electrical ovens and should not be located under direct sunlight.
- Please make sure that the interior of your refrigerator is cleaned thoroughly.
- If two refrigerators are to be installed side by side, there should be at least 2 cm distance between them.
- When you operate your refrigerator for the first time, please observe the following instructions during the initial six hours.
- The door should not be opened frequently.
- It must be operated empty without any food in it.
- Do not unplug your refrigerator. If a power failure occurs out of your control, please see the warnings in the “Recommended solutions for the problems” section.
- This product has been designed to function at ambient temperatures up to 43°C (110°F).

5 Using your refrigerator



Thermostat setting button

The interior temperature of your refrigerator changes for the following reasons;

- Seasonal temperatures,
- Frequent opening of the door and leaving the door open for long periods,
- Food put into the refrigerator without cooling down to the room temperature,
- The location of the refrigerator in the room (e.g. exposing to sunlight).
- You may adjust the varying interior temperature due to such reasons by using the thermostat.

Operating temperatures are controlled by the thermostat knob and may be set at any position between 0 and 5 (the coldest position).

The average temperature inside the fridge should be around $+5^{\circ}\text{C}$ ($+41^{\circ}\text{F}$). Therefore adjust the thermostat to obtain the desired temperature. Some sections of the fridge may be cooler or warmer (such as salad crisper and top part of the cabinet) which is quite normal. We recommend that you check the temperature periodically with a thermometer to ensure that the cabinet is kept to this temperature. Frequent door openings cause internal temperatures to rise, so it is advisable to close the door as soon as possible after use.

Defrost

A) Fridge compartment

Fridge compartment performs full-automatic defrosting. Water drops and a frosting up to 7-8 mm can occur on the inner rear wall of the fridge compartment while your refrigerator cools down. Such formation is normal as a result of the cooling system. The frost formation is defrosted by performing automatic defrosting with certain intervals thanks to the automatic defrosting system of the rear wall. User is not required to scrape the frost or remove the water drops. Water resulting from the defrosting passes from the water collection groove and flows into the evaporator through the drain pipe and evaporates here by itself. Check regularly to see if the drain pipe is clogged or not and clear it with the stick in the hole when necessary.

Deep freezer compartment does not perform automatic defrosting in order to prevent decaying of the frozen food.

B) Freezer compartment

Defrost twice a year or when a frost layer of around 7 (1/4") mm has formed. To start the defrosting procedure, switch off the appliance at the socket outlet and pull out the mains plug.

All food should be wrapped in several layers of newspaper and stored in a cool place (e.g.) fridge or larder.

Containers of warm water may be placed carefully in the freezer to speed up the defrosting.

Do not use pointed or sharp-edged objects, such as knives or forks to remove the frost.

Never use hair dryers, electrical heaters or other such electrical appliances for defrosting.

Sponge out the defrost water collected in the bottom of the freezer compartment.

After defrosting, dry the interior thoroughly. Insert the plug into the wall socket and switch on the electricity supply.

Freezing fresh food

- It must be preferred to wrap or cover the food before placing them in the refrigerator.
- Hot food must cool down to the room temperature before putting them in the refrigerator.
- The foodstuff that you want to freeze must be fresh and in good quality.
- Foodstuff must be divided into portions according to the family's daily or meal based consumption needs.
- The foodstuff must be packaged in an airtight manner to prevent them from drying even if they are going to be kept for a short time.
- Materials to be used for packaging must be tear-proof and resistant to cold, humidity, odor, oils and acids and they must also be airtight. Moreover, they must be well closed and they must be made from easy-to-use materials that are suitable for deep freeze usage.
- Frozen food must be used immediately after they are thawed and they should never be re-frozen.
- Please observe the following instructions to obtain the best results.
 1. Do not freeze too large quantities of food at one time. The quality of the food is best preserved when it is frozen right through to the core as quickly as possible.
 2. Placing warm food into the freezer compartment causes the cooling system to operate continuously until the food is frozen solid.
 3. Take special care not to mix already frozen food and fresh food.
- Hot food and beverages must cool down to the room temperature before putting them in the refrigerator.
- Maximum frozen food storage volume is achieved without using the drawers and the upper shelf cover provided in the freezer compartment. Energy consumption of your appliance is declared while the freezer compartment is fully loaded on shelves without the use of the drawers and upper shelf cover.
- If there is a power failure do not open the freezer door. Even if the power failure lasts up to the "Temperature Increasing Time" indicated in the "Technical specifications of your refrigerator" section, frozen food will not be affected. In case the failure lasts longer, the food must be checked and when necessary, must be consumed immediately or must be frozen after cooked.
- Please pay attention to the expiry date, maximum allowed storage period and recommended storage temperature of foodstuffs when purchased. If expiry date is passed, do not consume.

Recommendations for preservation of frozen food

Prepacked commercially frozen food should be stored in accordance with the frozen food manufacturer's instructions for a *** **** (4 star) frozen food storage compartment.

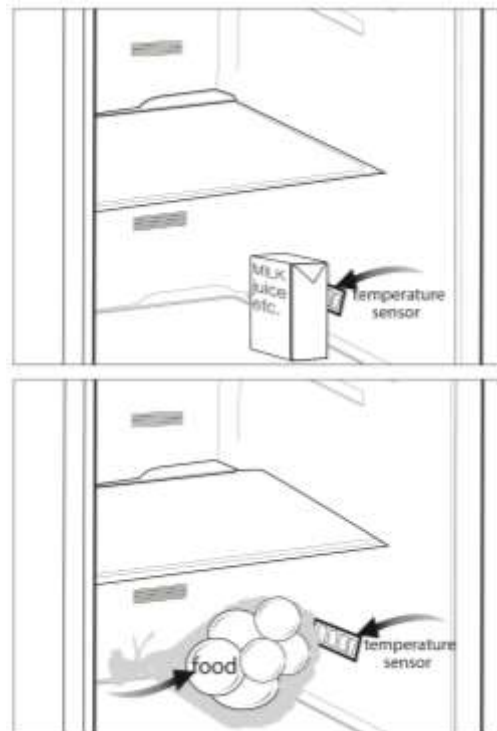
- To ensure that the high quality achieved by the frozen food manufacturer and the food retailer is maintained, the following should be remembered:

1. Put packages in the freezer as quickly as possible after purchase.
2. Ensure that contents are labeled and dated.
3. Do not exceed "Use By", "Best Before" dates on the packaging.

Recommendations for the fresh food compartment

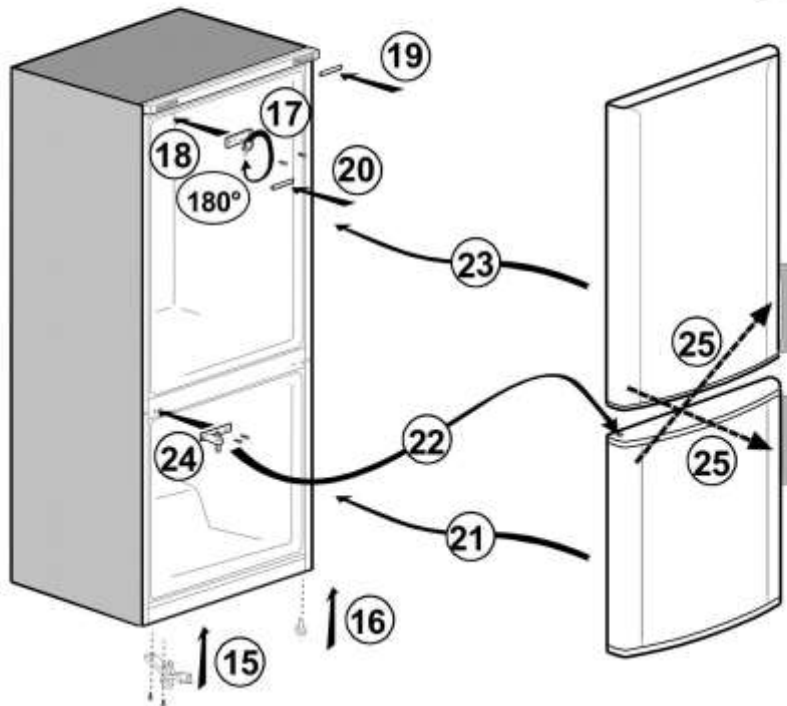
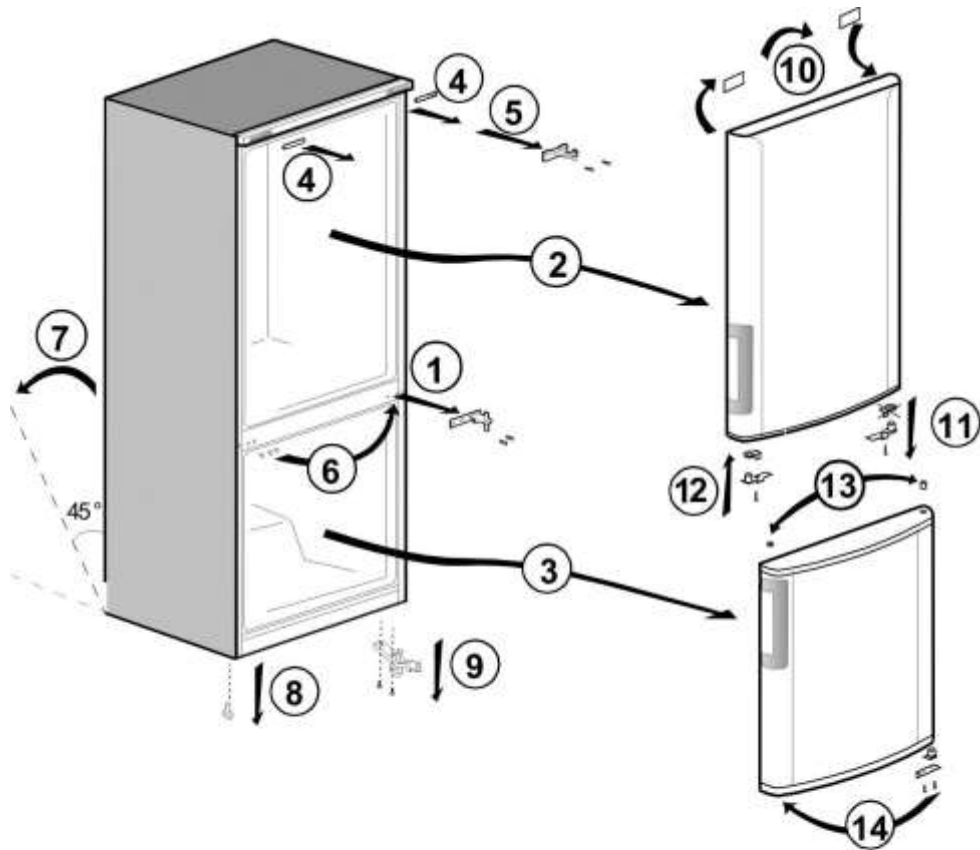
***optional**

- Do not allow the food to touch the temperature sensor in fresh food compartment. To allow the fresh food compartment keep its ideal storage temperature, sensor must not be hindered by food.
- Do not place hot foods in the product.



Reversing the doors

Proceed in numerical order



6 Maintenance and cleaning

- A** Never use gasoline, benzene or similar substances for cleaning purposes.
- B** We recommend that you unplug the appliance before cleaning.
- B** Never use any sharp abrasive instrument, soap, household cleaner, detergent and wax polish for cleaning.
- C** Use lukewarm water to clean the cabinet of your refrigerator and wipe it dry.
- C** Use a damp cloth wrung out in a solution of one teaspoon of bicarbonate of soda to one pint of water to clean the interior and wipe it dry.
- B** Make sure that no water enters the lamp housing and other electrical items.
- B** If your refrigerator is not going to be used for a long period of time, unplug the power cable, remove all food, clean it and leave the door ajar.
- C** Check door seals regularly to ensure they are clean and free from food particles.
- A** To remove door racks, remove all the contents and then simply push the door rack upwards from the base.
- A** Never use cleaning agents or water that contain chlorine to clean the outer surfaces and chromium coated parts of the product. Chlorine causes corrosion on such metal surfaces.

Avoiding bad odours

Materials that may cause odour are not used in the production of our refrigerators.

However, due to inappropriate food preserving conditions and not cleaning the inner surface of the refrigerator as required can bring forth the problem of odour. Pay attention to following to avoid this problem:

- Keeping the refrigerator clean is important.

Food residuals, stains, etc. can cause odour. Therefore, clean the refrigerator with carbonate dissolved in water every 15 days. Never use detergents or soap.

- Keep the food in closed containers.

Microorganisms spreading out from uncovered containers can cause unpleasant odours.

- Never keep the food that have expired best before dates and spoiled in the refrigerator.

Protection of plastic surfaces

- C** Do not put the liquid oils or oil-cooked meals in your refrigerator in unsealed containers as they damage the plastic surfaces of your refrigerator. In case of spilling or smearing oil on the plastic surfaces, clean and rinse the relevant part of the surface at once with warm water.

7 Troubleshooting

Please review this list before calling the service. It will save your time and money. This list includes frequent complaints that are not arising from defective workmanship or material usage. Some of the features described here may not exist in your product.

The refrigerator does not operate.

- The plug is not inserted into the socket correctly. >>>Insert the plug into the socket securely.
- The fuse of the socket which your refrigerator is connected to or the main fuse have blown out. >>>Check the fuse.

Condensation on the side wall of the fridge compartment (MULTIZONE, COOL CONTROL and FLEXI ZONE).

- Ambient is very cold. >>>Do not install the refrigerator in places where the temperature falls below 10 °C.
- Door has been opened frequently. >>>Do not open and close the door of refrigerator frequently.
- Ambient is very humid. >>>Do not install your refrigerator into highly humid places.
- Food containing liquid is stored in open containers. >>>Do not store food with liquid content in open containers.
- Door of the refrigerator is left ajar. >>>Close the door of the refrigerator.
- Thermostat is set to a very cold level. >>>Set the thermostat to a suitable level.

Compressor is not running

- Protective thermic of the compressor will blow out during sudden power failures or plug-out plug-ins as the refrigerant pressure in the cooling system of the refrigerator has not been balanced yet. The refrigerator will start running approximately after 6 minutes. Please call the service if the refrigerator does not startup at the end of this period.
- The fridge is in defrost cycle. >>>This is normal for a full-automatically defrosting refrigerator. Defrosting cycle occurs periodically.
- The refrigerator is not plugged into the socket. >>>Make sure that the plug is fit into the socket.
- Temperature settings are not made correctly. >>>Select the suitable temperature value.
- There is a power outage. >>>Refrigerator returns to normal operation when the power restores.

The operation noise increases when the refrigerator is running.

- The operating performance of the refrigerator may change due to the changes in the ambient temperature. It is normal and not a fault.

The refrigerator is running frequently or for a long time.

- New product may be wider than the previous one. Larger refrigerators operate for a longer period of time.
- The room temperature may be high. >>>It is normal that the product operates for longer periods in hot ambient.
- The refrigerator might be plugged in recently or might be loaded with food. >>>When the refrigerator is plugged in or loaded with food recently, it will take longer for it to attain the set temperature. This is normal.
- Large amounts of hot food might be put in the refrigerator recently. >>>Do not put hot food into the refrigerator.
- Doors might be opened frequently or left ajar for a long time. >>>The warm air that has entered into the refrigerator causes the refrigerator to run for longer periods. Do not open the doors frequently.
- Freezer or fridge compartment door might be left ajar. >>>Check if the doors are closed completely.
- The refrigerator is adjusted to a very low temperature. >>>Adjust the refrigerator temperature to a warmer degree and wait until the temperature is achieved.
- Door seal of the fridge or freezer may be soiled, worn out, broken or not properly seated. >>>Clean or replace the seal. Damaged/broken seal causes the refrigerator to run for a longer period of time in order to maintain the current temperature.

Freezer temperature is very low while the fridge temperature is sufficient.

- The freezer temperature is adjusted to a very low value. >>>Adjust the freezer temperature to a warmer degree and check.

Fridge temperature is very low while the freezer temperature is sufficient.

- The fridge temperature is adjusted to a very low value. >>>Adjust the fridge temperature to a warmer degree and check.

Food kept in the fridge compartment drawers is frozen.

- The fridge temperature is adjusted to a very high value. >>>Adjust the fridge temperature to a lower value and check.

Temperature in the fridge or freezer is very high.

- The fridge temperature is adjusted to a very high value. >>>Fridge compartment temperature setting has an effect on the temperature of the freezer. Change the temperatures of the fridge or freezer and wait until the relevant compartments attain a sufficient temperature.
- Doors are opened frequently or left ajar for a long time. >>>Do not open the doors frequently.
- Door is ajar. >>>Close the door completely.
- The refrigerator is plugged in or loaded with food recently. >>>This is normal. When the refrigerator is plugged in or loaded with food recently, it will take longer for it to attain the set temperature.
- Large amounts of hot food might be put in the refrigerator recently. >>>Do not put hot food into the refrigerator.

Vibrations or noise.

- The floor is not level or stable. >>> If the refrigerator rocks when moved slowly, balance it by adjusting its feet. Also make sure that the floor is strong enough to carry the refrigerator, and level.
- The items put onto the refrigerator may cause noise. >>>Remove the items on top of the refrigerator.

There are noises coming from the refrigerator like liquid flowing, spraying, etc.

- Liquid and gas flows occur in accordance with the operating principles of your refrigerator. It is normal and not a fault.

Whistle comes from the refrigerator.

- Fans are used in order to cool the refrigerator. It is normal and not a fault.

Condensation on the inner walls of refrigerator.

- Hot and humid weather increases icing and condensation. It is normal and not a fault.
- Doors are opened frequently or left ajar for a long time. >>>Do not open the doors frequently. Close them if they are open.
- Door is ajar. >>>Close the door completely.

Humidity occurs on the outside of the refrigerator or between the doors.

- There might be humidity in the air; this is quite normal in humid weather. When the humidity is less, condensation will disappear.

Bad odour inside the refrigerator.

- No regular cleaning is performed. >>>Clean the inside of the refrigerator regularly with a sponge, lukewarm water or carbonate dissolved in water.
- Some containers or package materials may cause the smell. >>>Use a different container or different brand packaging material.
- Food is put into the refrigerator in uncovered containers. >>>Keep the food in closed containers. Microorganisms spreading out from uncovered containers can cause unpleasant odours.
- Remove the foods that have expired best before dates and spoiled from the refrigerator.

The door is not closing.

- Food packages are preventing the door from closing. >>>Replace the packages that are obstructing the door.
- The refrigerator is not completely even on the floor. >>>Adjust the feet to balance the refrigerator.
- The floor is not level or strong. >>>Make sure that the floor is level and capable to carry the refrigerator.

Crispers are stuck.

- The food is touching the ceiling of the drawer. >>>Rearrange food in the drawer.

Veillez d'abord lire ce manuel d'utilisation !

Cher client,

Nous espérons que votre produit, qui a été fabriqué dans des usines modernes et vérifié au terme des procédures de contrôle de qualité les plus méticuleuses, vous rendra satisfaction.

Veillez donc lire attentivement l'intégralité de ce manuel avant de commencer à utiliser le produit et conservez-le manuel comme référence. Si vous remettez cet appareil à quelqu'un d'autre, remettez-lui également le manuel d'utilisation.

Le présent manuel vous aidera à utiliser votre produit en toute sécurité et efficacement.

- Veuillez lire le manuel avant l'installation et l'utilisation du produit.
- Veuillez lire les instructions de sécurité.
- Conservez ce manuel dans un endroit facilement accessible car vous pourriez en avoir besoin ultérieurement.
- Lisez également la documentation fournie avec le produit.

N'oubliez pas que le présent manuel d'utilisation est également valable pour plusieurs autres modèles. Les différences entre les différents modèles seront identifiées dans le manuel.

Explication des symboles

Les symboles ci-après sont utilisés dans le manuel d'utilisation :

C Informations importantes ou astuces.

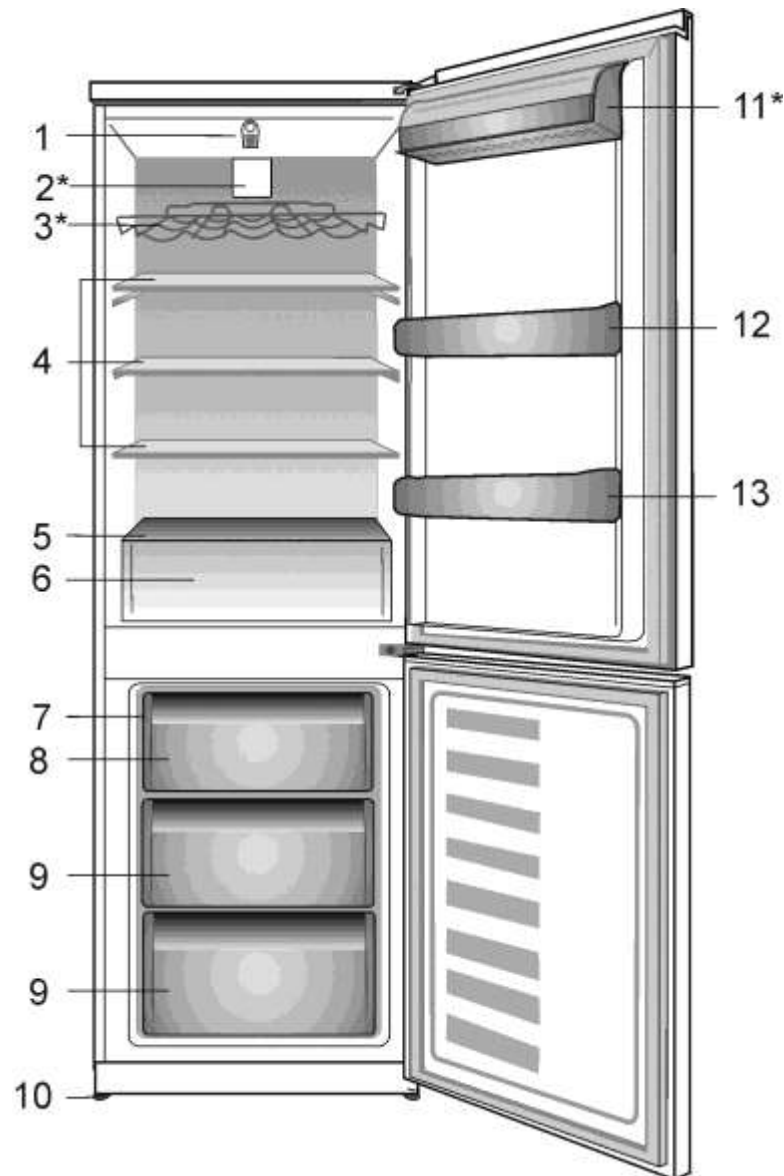
A Avertissement relatif aux conditions dangereuses pour la vie et la propriété.

B Avertissement relatif à la tension électrique.

TABLE DES MATIÈRES

| | | | | |
|-----------------|---|-----------------|---|------------------|
| <u>1</u> | <u>1</u> | <u>3</u> | <u>4</u> | <u>11</u> |
| <u>2</u> | <u>Précautions de sécurité</u> | | <u>5</u> | <u>12</u> |
| | <u>importantes</u> | <u>4</u> | Réglage de la température | 12 |
| | Utilisation préconisée..... | 4 | Utilisation des compartiments | |
| | Sécurité générale..... | 4 | intérieurs..... | 12 |
| | Pour les appareils dotés d'une fontaine | | Congélation d'aliments frais..... | 13 |
| | à eau reliée à l'eau courante..... | 6 | Recommandations concernant la | |
| | Sécurité enfants..... | 6 | conservation des aliments congelés..... | 13 |
| | Conformité avec la réglementation | | Recommandations relatives au | |
| | DEEE et mise au rebut des déchets..... | 6 | compartiment 0/3 degré | 15 |
| | Informations relatives à l'emballage..... | 7 | Réversibilité des portes..... | 15 |
| | Avertissement sur l'usage de | | <u>6</u> | <u>16</u> |
| | fluides frigorigènes..... | 7 | <u>Entretien et nettoyage</u> | |
| | Mesures d'économie d'énergie..... | 7 | Protection des surfaces en | |
| | | | Plastique..... | 16 |
| <u>3</u> | <u>Installation</u> | <u>8</u> | <u>7</u> | <u>17</u> |
| | Éléments à prendre en considération | | <u>Dépannage</u> | |
| | lors du déménagement de votre | | | |
| | réfrigérateur..... | 8 | | |
| | Avant de mettre votre réfrigérateur en | | | |
| | marche..... | 8 | | |
| | Branchement électrique..... | 9 | | |
| | Mise au rebut de l'emballage..... | 9 | | |
| | Mise au rebut de votre ancien | | | |
| | réfrigérateur..... | 9 | | |
| | Disposition et Installation..... | 9 | | |
| | Remplacement de l'ampoule | 10 | | |
| | Réglage des pieds..... | 10 | | |

1 Votre réfrigérateur



1. Manette de réglage et éclairage intérieur
2. Ventilateur*
3. Clayette range-bouteilles*
4. Clayettes réglables
5. Couvercle
6. Bac à légumes
7. Bac à glaçons et support
8. Compartiment de congélation rapide
9. Compartiment de conservation des aliments congelés

10. Pieds avant réglables
11. Compartiment des produits laitiers*
12. Balconnet à bocaux
13. Clayette porte bouteilles

* En option

C Les illustrations présentées dans cette notice d'utilisation sont schématiques et peuvent ne pas correspondre exactement à votre produit. Si certains fonctions ne sont pas inclus dans le produit que vous avez acheté, ils concerneront d'autres modèles.

2 Précautions de sécurité importantes

Veillez examiner les informations suivantes :

Le non respect de ces consignes peut entraîner des blessures ou dommages matériels.

Sinon, tout engagement lié à la garantie et à la fiabilité du produit devient invalide.

Les pièces détachées d'origine sont disponibles pendant 10 ans, à compter de la date d'achat du produit.

Utilisation préconisée

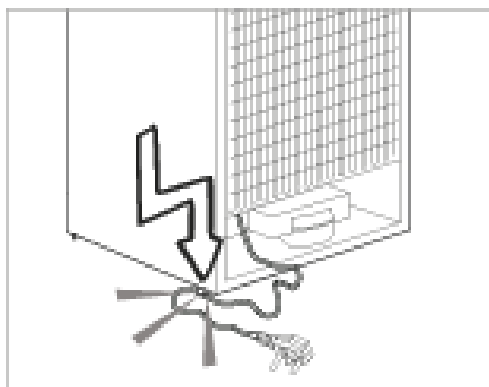
- Ce produit est prévu pour une utilisation
- en intérieur et dans des zones fermées telles que les maisons ;
- dans les environnements de travail fermés, tels que les magasins et les bureaux ;
- dans les lieux d'hébergement fermés, tels que les fermes, hôtels, pensions.
- Il ne doit en conséquence pas être utilisé à l'extérieur.

Sécurité générale

- Avant de vous débarrasser de votre appareil, veuillez consulter les autorités locales ou votre revendeur pour connaître le mode opératoire et les organismes agréés de collecte.
- Consultez le service après-vente agréé concernant toutes questions ou problèmes relatifs au réfrigérateur. N'intervenez pas ou ne laissez personne intervenir sur le réfrigérateur sans le communiquer au service après-vente agréé.
- Pour les produits équipés d'un compartiment congélateur ; ne mangez pas de cônes de crème glacée ou des glaçons immédiatement après les avoir sortis du compartiment de congélation ! (Cela pourrait provoquer des engelures dans votre bouche).

- Pour les produits équipés d'un compartiment congélateur ; ne placez pas de boissons en bouteilles ou en canette dans le congélateur. Cela peut entraîner leur éclatement.
- Ne touchez pas des produits congelés avec les mains, ils pourraient se coller à celles-ci.
- Débranchez votre réfrigérateur avant de le nettoyer ou de le dégivrer.
- La vapeur et des matériaux de nettoyage pulvérisés ne doivent jamais être utilisés pour les processus de nettoyage ou de dégivrage de votre réfrigérateur. La vapeur pourrait pénétrer dans les pièces électriques et provoquer des courts-circuits ou des électrocutions.
- Ne jamais utiliser les pièces de votre réfrigérateur telles que la plaque de protection ou la porte, comme un support ou une marche.
- N'utilisez pas d'appareils électriques à l'intérieur du réfrigérateur.
- N'endommagez pas les pièces où circule le liquide réfrigérant avec des outils de forage ou coupants. Le liquide réfrigérant qui pourrait s'échapper si les canalisations de gaz de l'évaporateur, les rallonges de tuyau ou les revêtements de surface étaient percés, peut irriter la peau et provoquer des blessures aux yeux.
- Ne pas couvrir ou obstruer les orifices de ventilation du réfrigérateur.
- Les appareils électriques peuvent être réparés seulement par des personnes autorisées. Les réparations réalisées par des personnes ne présentant pas les compétences requises peuvent présenter un risque pour l'utilisateur.

- En cas de dysfonctionnement ou lors d'opérations d'entretien ou de réparation, débranchez l'alimentation électrique du réfrigérateur soit en désactivant le fusible correspondant, soit en débranchant l'appareil.
- Ne tirez pas sur le câble lorsque vous débranchez la prise.
- Placez les boissons alcoolisées verticalement, dans des récipients convenablement fermés.
- Ne conservez jamais des aérosols contenant des substances inflammables et explosives dans le réfrigérateur.
- N'utilisez pas d'outils mécaniques ou autres moyens pour accélérer le processus de décongélation autres que ceux qui sont recommandés par le fabricant.
- Ce produit n'est pas conçu pour être utilisé par des personnes (enfants compris) souffrant de déficience physique, sensorielle, mentale, ou inexpérimentées, à moins d'avoir obtenu une autorisation auprès des personnes responsables de leur sécurité.
- Ne faites pas fonctionner un réfrigérateur endommagé. Consultez le service agréé en cas de problème.
- La sécurité électrique du réfrigérateur n'est assurée que si le système de mise à la terre de votre domicile est conforme aux normes en vigueur.
- L'exposition du produit à la pluie, la neige, au soleil ou au vent présente des risques concernant la sécurité électrique.
- Contactez le service agréé quand un câble d'alimentation est endommagé pour éviter tout danger.
- Ne branchez jamais le réfrigérateur à la prise murale au cours de l'installation. Vous vous exposeriez à un risque de mort ou à de blessures graves.
- Ce réfrigérateur est conçu seulement pour conserver des aliments. Par conséquent, il ne doit pas être utilisé à d'autres fins.
- L'étiquette avec les caractéristiques techniques est située sur le mur gauche à l'intérieur du réfrigérateur.
- Ne branchez jamais votre réfrigérateur à des systèmes d'économie d'énergie, cela peut l'endommager.
- S'il y a une bluelight sur le réfrigérateur, ne la regardez pas avec des outils optiques.
- Pour les réfrigérateurs contrôlés manuellement, attendez au moins 5 minutes pour allumer le réfrigérateur après une coupure de courant.
- Si cet appareil venait à changer de propriétaire, n'oubliez pas de remettre la présente notice d'utilisation au nouveau bénéficiaire.
- Évitez d'endommager le câble d'alimentation quand vous transportez le réfrigérateur. Tordre le câble peut entraîner un incendie. Ne placez jamais des objets lourds sur le câble d'alimentation.
- Évitez de toucher à la prise avec des mains mouillées au moment de brancher l'appareil.



- Évitez de brancher le réfrigérateur lorsque la prise de courant électrique a lâché.
- Pour des raisons de sécurité, évitez de pulvériser directement de l'eau sur les parties externes et internes du réfrigérateur.

- Ne pulvérisez pas de substances contenant des gaz inflammables comme du propane près du réfrigérateur pour éviter tout risque d'incendie et d'explosion.
- Ne placez jamais de récipients contenant de l'eau sur votre réfrigérateur, ils pourraient causer des chocs électriques ou un incendie.
- Évitez de surcharger le réfrigérateur avec une quantité excessive d'aliments. S'il est surchargé, les aliments peuvent tomber, vous blesser et endommager le réfrigérateur quand vous ouvrez la porte.
- Ne placez jamais d'objets au-dessus du réfrigérateur, ils pourraient tomber quand vous ouvrez ou fermez la porte du réfrigérateur.
- Les produits qui nécessitent un contrôle de température précis (vaccin, médicament sensible à la chaleur, matériels scientifiques, etc.) ne doivent pas être conservés dans le réfrigérateur..
- Si le réfrigérateur n'est pas utilisé pendant longtemps, il doit être débranché. Un éventuel problème avec le câble d'alimentation pourrait causer un incendie.
- Le bout de la prise électrique doit être nettoyé régulièrement à l'aide d'un chiffon sec, sinon il peut provoquer un incendie.
- Le réfrigérateur peut bouger si ses pieds réglables ne sont pas bien fixés sur le sol. Bien fixer les pieds réglables sur le sol peut empêcher le réfrigérateur de bouger.
- Quand vous transportez le réfrigérateur, ne le tenez pas par la poignée de la porte. Cela peut l'endommager.
- Quand vous devez placer votre produit près d'un autre réfrigérateur ou congélateur, la distance entre les appareils doit être d'au moins 8 cm. Sinon, les murs adjacents peuvent être humidifiés.

Pour les appareils dotés d'une fontaine à eau reliée à l'eau courante;

La pression de l'alimentation en eau doit être au minimum de 1 bar. La pression de l'alimentation en eau doit être au maximum de 8 bars.

- Utilisez uniquement de l'eau potable.

Sécurité enfants

- Si la porte a un verrouillage, la clé doit rester hors de portée des enfants.
- Les enfants doivent être surveillés et empêchés de s'amuser avec le produit.

Conformité avec la réglementation DEEE et mise au rebut des déchets



Le symbole sur le produit ou sur son emballage indique que ledit produit peut ne pas être traité comme ordure ménagère. Au contraire, il sera remis au point de collecte approprié pour les équipements électriques et électroniques. En s'assurant que le présent produit est correctement mis au rebut, vous aiderez ainsi à éviter de potentielles conséquences négatives pour l'environnement et la santé humaine qu'une mauvaise mise au rebut aurait par ailleurs entraîné. Pour plus d'informations relatives au recyclage de ce produit, veuillez contacter les autorités de votre localité, les services chargés de la mise au rebut de vos ordures ménagères ou le magasin dans lequel vous avez acheté le produit.

Informations relatives à l'emballage

Les matériaux d'emballage de cet appareil sont fabriqués à partir de matériaux recyclables, conformément à nos Réglementations Nationales en Environnement. Ne mélangez pas les matériaux d'emballage avec les déchets domestiques ou d'autres déchets. Amenez-les aux points de collecte des matériaux d'emballage, désignés par les autorités locales.

N'oubliez pas...

Pour la préservation de la nature et de notre santé, il est indispensable de recycler les matières.

Si vous voulez contribuer au recyclage des matériaux d'emballage, vous pouvez vous renseigner auprès d'organisations environnementales ou de l'autorité locale proche de votre domicile.

Avertissement sur l'usage de fluides frigorigènes

Si le système de refroidissement de votre appareil contient R600a :

Ce gaz est inflammable. Par conséquent, veuillez prendre garde à ne pas endommager le système de refroidissement et les tuyauteries lors de son utilisation ou de son transport. En cas de dommages, éloignez votre produit de toute source potentielle de flammes susceptible de provoquer l'incendie de l'appareil. De même, placez le produit dans une pièce aérée.

Le type de gaz utilisé dans l'appareil est mentionné sur la plaque signalétique située sur la paroi gauche de l'intérieur du réfrigérateur.

Ne jetez jamais l'appareil au feu pour vous en débarrasser.

Mesures d'économie d'énergie

Vous pouvez bénéficier de la capacité maximale de stockage des denrées en vous servant uniquement des clayettes du haut et du milieu du réfrigérateur sans vous servir des tiroirs. Le tiroir du bas doit toujours rester en place pour entreposer des denrées alimentaires. La consommation d'énergie de votre réfrigérateur est mesurée et déclarée lorsque la quantité maximale de denrées alimentaires est entreposée sur les clayettes du haut et du milieu de l'appareil. Pour faire des économies d'énergie, le ventilateur du congélateur doit toujours rester visible et la circulation de l'air ne doit pas être bloquée par la présence de denrées dans le compartiment congélateur.

3 Installation

B Dans l'hypothèse ou l'information contenue dans ce manuel n'a pas été prise en compte par l'utilisateur, le fabricant ne sera aucunement responsable en cas de problèmes.

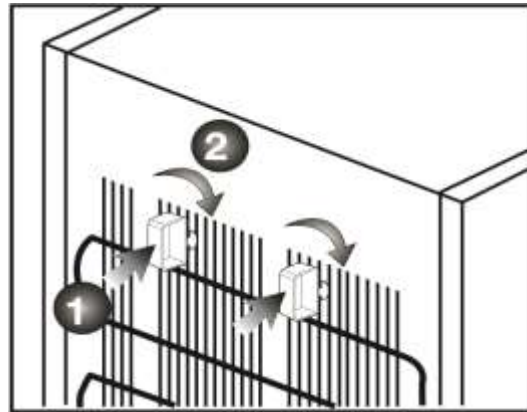
Éléments à prendre en considération lors du déménagement de votre réfrigérateur

1. Votre réfrigérateur doit être débranché.
Avant le transport de votre réfrigérateur, vous devez le vider et le nettoyer
2. Avant d'emballer votre réfrigérateur, vous devez fixer ses étagères, bac, accessoires, etc, avec du ruban adhésif afin de les protéger contre les chocs. L'emballage doit être solidement attaché avec du ruban adhésif épais ou avec un cordage solide. La réglementation en matière de transport et de marquage de l'emballage doit être strictement respectée.
3. L'emballage et les matériaux de protection d'emballage doivent être conservés pour les éventuels transports ou déplacements à venir.

Avant de mettre votre réfrigérateur en marche,

Vérifiez les points suivants avant de commencer à utiliser votre réfrigérateur :

1. Fixez les câles en plastique tel qu'indiqué sur le schéma ci-dessous. Les câles en plastique servent à maintenir une distance permettant la circulation de l'air entre le réfrigérateur et le mur. (Cette image n'est donnée qu'à titre indicatif ; elle n'est pas identique à votre produit.)



2. Nettoyez l'intérieur du réfrigérateur tel qu'indiqué dans la section « Entretien et nettoyage ».
3. Insérez la prise du réfrigérateur dans la prise murale. Lorsque la porte du réfrigérateur est ouverte, la lampe interne du réfrigérateur s'éclaire.
4. Lorsque le compresseur commence à fonctionner, il émettra un son. Le liquide et les gaz intégrés au système du réfrigérateur peuvent également faire du bruit, que le compresseur soit en marche ou non. Ceci est tout à fait normal.
5. Les parties antérieures du réfrigérateur peuvent chauffer. Ce phénomène est normal. Ces zones doivent en principe être chaudes pour éviter tout risque de condensation.

Branchement électrique

Branchez votre réfrigérateur à une prise de mise à la terre protégée par un fusible ayant une capacité appropriée.

Important :

Le branchement doit être conforme aux normes en vigueur sur le territoire national.

- La fiche du câble d'alimentation doit être facilement accessible après installation.
- La sécurité électrique du réfrigérateur n'est assurée que si le système de mise à la terre de votre domicile est conforme aux normes en vigueur.
- La tension indiquée sur l'étiquette située sur la paroi gauche interne de votre produit doit correspondre à celle fournie par votre réseau électrique.
- **Les rallonges et multiprises ne doivent pas être utilisés pour brancher l'appareil.**

B Un câble d'alimentation endommagé doit être remplacé par un électricien qualifié.

B L'appareil ne doit pas être mis en service avant d'être réparé ! Cette précaution permet d'éviter tout risque de choc électrique !

Mise au rebut de l'emballage

Les matériaux d'emballage peuvent être dangereux pour les enfants. Tenez les matériaux d'emballage hors de portée des enfants ou jetez-les conformément aux consignes établies par les autorités locales en matière de déchets. Ne les jetez pas avec les déchets domestiques, déposez-les dans les centres de collecte désignés par les autorités locales.

L'emballage de votre appareil est produit à partir de matériaux recyclables.

Mise au rebut de votre ancien réfrigérateur

Débarrassez-vous de votre ancien réfrigérateur sans nuire à l'environnement.

- Vous pouvez consulter le service après-vente agréé ou le centre chargé de la mise au rebut dans votre municipalité pour en savoir plus sur la mise au rebut de votre produit.

Avant de procéder à la mise au rebut de votre machine, coupez la prise électrique et, le cas échéant, tout verrouillage susceptible de se trouver sur la porte. Rendez-les inopérants afin de ne pas exposer les enfants à d'éventuels dangers.

Disposition et Installation

A Si la porte d'entrée de la pièce où sera installé le réfrigérateur n'est pas assez large pour laisser passer le réfrigérateur, appelez le service après-vente qui retirera les portes du réfrigérateur et le fera entrer latéralement dans la pièce.

1. Installez le réfrigérateur dans un emplacement qui permette une utilisation pratique.
2. Maintenez le réfrigérateur éloigné de toutes sources de chaleur, des endroits humides et de la lumière directe du soleil.
3. Une ventilation d'air autour du réfrigérateur doit être aménagée pour obtenir un fonctionnement efficace. Si le réfrigérateur est placé dans un enfoncement du mur, il doit y avoir un espace d'au moins 5 cm avec le plafond et d'au moins 5 cm avec le mur. Ne placez pas l'appareil sur des revêtements tels qu'un tapis ou de la moquette.
4. Placez le réfrigérateur sur une surface plane afin qu'il soit stable.

Remplacement de l'ampoule

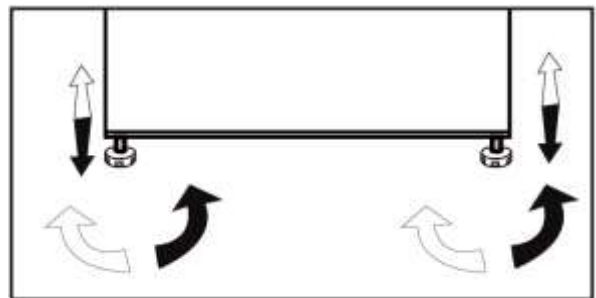
Pour remplacer l'ampoule LED du réfrigérateur, veuillez contacter le service après-vente agréé.

L'ampoule utilisée dans cet appareil ne convient pas pour l'éclairage de la cuisine. Le but visé par cette lampe est d'aider à l'utilisateur de placer les aliments dans le réfrigérateur / congélateur d'une manière sûre et confortable. Les voyants utilisés dans cet appareil doivent résister aux conditions physiques extrêmes telles que des températures inférieures à -20°C .

Réglage des pieds

Si le réfrigérateur n'est pas stable.

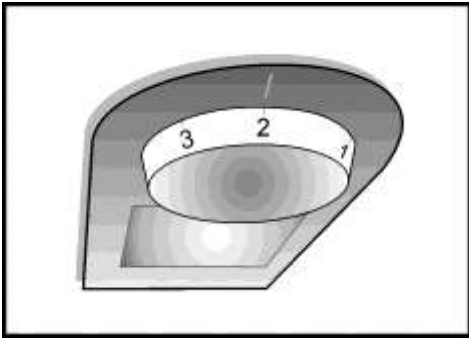
Vous pouvez équilibrer le réfrigérateur en tournant les pieds avant, tel qu'illustré sur le schéma. Le côté où se trouve le pied s'abaisse lorsque vous tournez dans le sens de la flèche noire, et s'élève lorsque vous tournez dans le sens opposé. Si vous vous faites aider par quelqu'un pour légèrement soulever le réfrigérateur, l'opération s'en trouvera simplifiée.



4 Préparation

- Votre réfrigérateur doit être installé à au moins 30 cm des sources de chaleur telles que les plaques de cuisson, les fours, appareils de chauffage ou cuisinières, et à au moins 5 cm des fours électriques. De même, il ne doit pas être exposé à la lumière directe du soleil.
- Veuillez vous assurer que l'intérieur de votre appareil est soigneusement nettoyé.
- Si deux réfrigérateurs sont installés côte à côte, ils doivent être séparés d'au moins 2 cm.
- Lorsque vous faites fonctionner le réfrigérateur pour la première fois, assurez-vous de suivre les instructions suivantes pendant les six premières heures.
- La porte ne doit pas être ouverte fréquemment.
- Le réfrigérateur doit fonctionner à vide, sans denrées à l'intérieur.
- Panne de courant se produit, veuillez vous reporter aux avertissements de la section « Solutions recommandées aux problèmes ».
- Ce produit a été conçu pour fonctionner à une température ambiante pouvant atteindre 43 °C (110°F).

5 Utilisation du réfrigérateur



Réglage de la température

La commande du thermostat se trouve sur le bandeau supérieur du réfrigérateur.

Important:

Lorsque vous ajustez la température définie sur la touche congélation rapide, il peut y avoir un délai avant que le compresseur se mette en marche. Cela est normal et n'est pas un défaut du compresseur.

La température intérieure est réglée par le thermostat.

Les températures obtenues à l'intérieur de l'armoire peuvent varier en fonction des conditions d'utilisation: emplacement, température ambiante, fréquence de l'ouverture des portes, quantité de denrées à l'intérieur.

En général, pour une température ambiante de +25°C, la manette du thermostat sera placée sur une position moyenne.

Le thermostat assure aussi le dégivrage automatique de la partie réfrigérateur.

Évitez un réglage qui pourrait provoquer une marche continue : la température intérieure pourrait baisser en dessous de 0°C d'où un risque de prise en glace des boissons et une formation excessive de givre sur les parois ainsi qu'une augmentation de la consommation d'électricité.

Utilisation des compartiments intérieurs

Étagères : L'écart entre les étagères peut être réglé si nécessaire.

Bac à légumes : Les fruits et légumes peuvent être conservés dans ce compartiment pendant de longues périodes sans se détériorer.

Clayette porte bouteilles: Les bouteilles, bocaux et les canettes peuvent être placés dans ces étagères.

Congélation d'aliments frais

- Enveloppez ou couvrez vos aliments avant de les placer au réfrigérateur.
 - Laissez refroidir les aliments à la température ambiante avant de les introduire dans le réfrigérateur.
 - Les denrées que vous souhaitez surgeler doivent être fraîches et en bon état.
 - Il est conseillé de séparer les denrées en portions en fonction des besoins quotidiens de votre famille ou par repas.
 - Les denrées doivent être emballées hermétiquement afin d'éviter qu'elles ne s'assèchent, même si elles ne doivent être conservées qu'une courte période.
 - Les matériaux servant à emballer vos denrées doivent résister au froid et à l'humidité, et doivent être hermétiques. Le matériau d'emballage de vos denrées doit être suffisamment épais et doit pouvoir être conservé sur une longue période. Dans le cas contraire, les denrées endurcies par la congélation pourraient perforer l'emballage. Il est essentiel pour l'emballage d'être bien fermé pour une conservation sécurisée de vos denrées.
 - Les aliments congelés doivent être consommés immédiatement après leur décongélation et ils ne doivent pas être recongelés.
- Veuillez respecter les instructions suivantes afin d'obtenir les meilleurs résultats.
 1. Ne congelez pas une quantité trop importante à la fois. La qualité des aliments est préservée de façon optimale lorsqu'ils sont entièrement congelés aussi rapidement que possible.
 2. Faites particulièrement attention à ne pas mélanger les produits déjà congelés et les produits frais.
 3. Assurez-vous que les aliments crus ne sont pas en contact avec les cuits dans le réfrigérateur.

Recommandations concernant la conservation des aliments congelés

● Les aliments vendus préemballés et surgelés doivent être conservés conformément aux instructions du fabricant de produits congelés, dans le compartiment destiné au stockage des produits congelés.

● Afin de veiller à ce que la qualité supérieure recherchée par le fabricant et le détaillant des produits congelés soit atteinte, il convient de se rappeler les points suivants :

1. Mettre les emballages dans le congélateur aussi rapidement que possible après achat.

2. Assurez-vous que le contenu emballé est correctement étiqueté et daté.

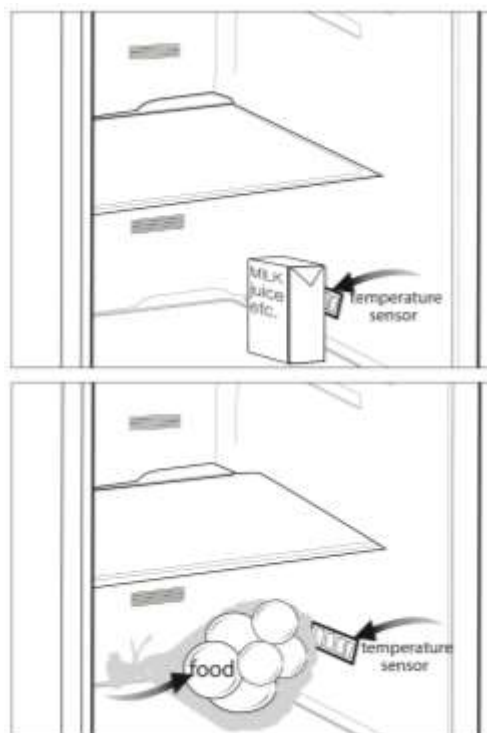
3. Ne dépassez pas les dates « à consommer jusqu'au » et « à consommer de préférence avant le » figurant sur l'emballage.

Recommandations relatives au compartiment 0/3 degré

*en option

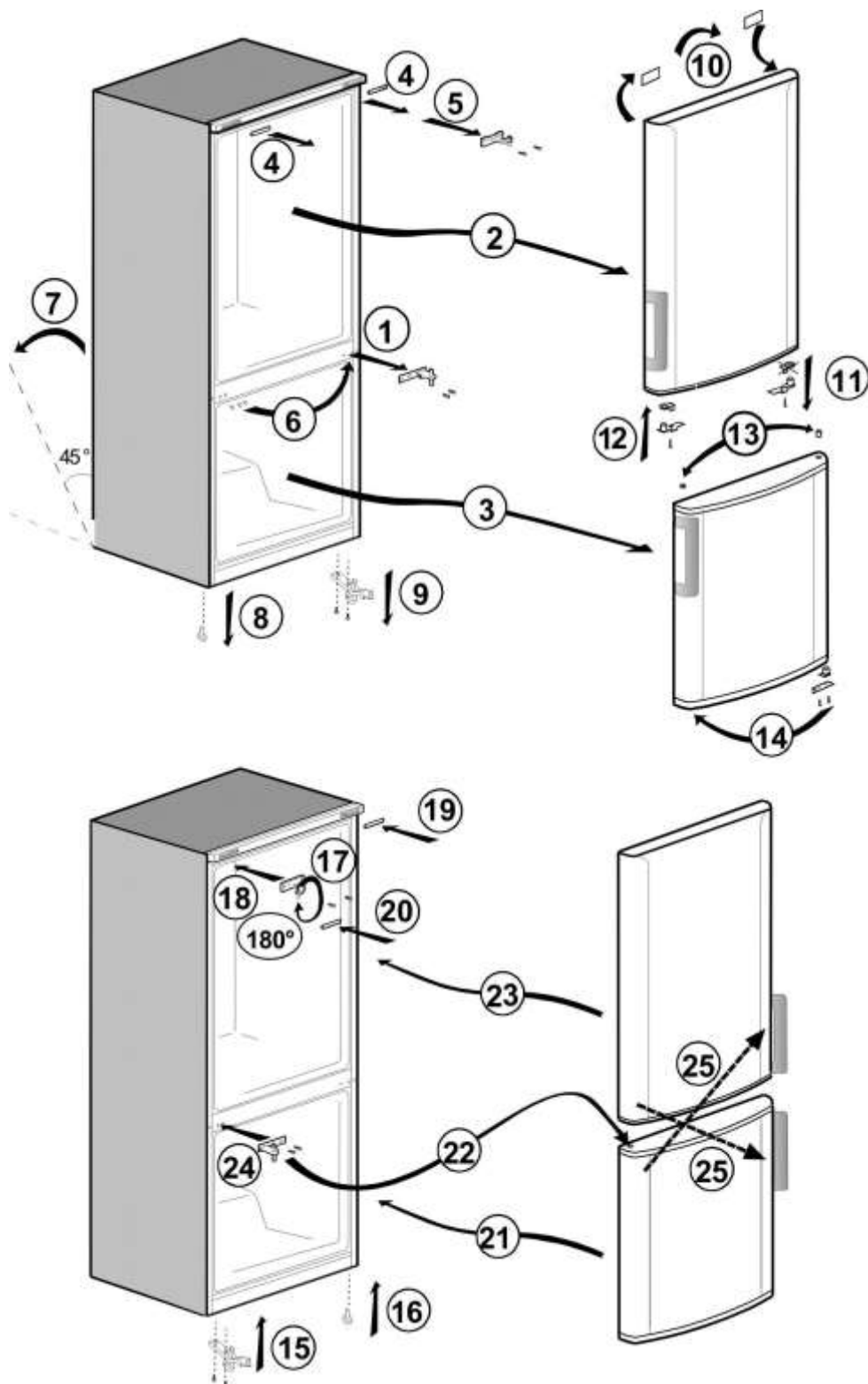
• Faites attention à ce que les aliments ne touchent pas le capteur de température dans le compartiment 0/3 degré. Pour que le compartiment 0/3 degré conserve sa température idéale, le capteur ne doit pas être encombré par des aliments.

• Ne placez pas de denrées chaudes dans votre appareil.



Réversibilité des portes

Procédez dans l'ordre numérique



- A** N'utilisez jamais d'essence, de benzène ou de matériaux similaires pour le nettoyage.
- B** Nous vous recommandons de débrancher l'appareil avant de procéder au nettoyage.
- B** N'utilisez jamais d'ustensiles tranchants, savon, produit de nettoyage domestique, détergent et cirage pour le nettoyage.
- C** Utilisez de l'eau tiède pour nettoyer la carrosserie du réfrigérateur et séchez-la soigneusement à l'aide d'un chiffon.
- C** Utilisez un chiffon humide imbibé d'une solution composée d'une cuillère à café de bicarbonate de soude pour un demi litre d'eau pour nettoyer l'intérieur et séchez soigneusement.
- B** Ne faites pas couler d'eau dans le logement de la lampe et dans d'autres éléments électriques.
- B** En cas de non utilisation de votre réfrigérateur pendant une période prolongée, débranchez le câble d'alimentation, sortez toutes les denrées, nettoyez-le et laissez la porte entrouverte.
- C** Inspectez les joints de porte régulièrement pour vérifier qu'ils sont propres et qu'il n'y a pas de particules de nourriture.
- A** Pour retirer les balconnets de portes, sortez tout son contenu puis poussez simplement le balconnet vers le haut à partir de la base.
- A** N'utilisez jamais de produits nettoyants ou de l'eau contenant du chlore pour le nettoyage des surfaces externes et des pièces chromées du produit. Le chlore entraîne la corrosion de ces surfaces métalliques.

Protection des surfaces en plastique

- C** Ne placez pas d'huiles ou de plats huileux dans le congélateur / réfrigérateur dans des récipients non fermés, car les graisses peuvent endommager les surfaces en plastique du congélateur / réfrigérateur. Si vous versez ou éclaboussez de l'huile sur les surfaces en plastique, nettoyez et lavez les parties souillées avec de l'eau chaude immédiatement.

7 Dépannage

Veillez vérifier la liste suivante avant d'appeler le service après-vente. Cela peut vous faire économiser du temps et de l'argent. Cette liste regroupe les problèmes les plus fréquents ne provenant pas d'un défaut de fabrication ou d'utilisation du matériel. Il se peut que certaines des fonctions décrites ne soient pas présentes sur votre produit.

Le réfrigérateur ne fonctionne pas.

- La fiche n'est pas insérée correctement dans la prise de courant. >>>Insérez correctement la fiche dans la prise de courant.
- Est-ce que le fusible ou la douille de raccord du réfrigérateur sont connectés ou est-ce que le fusible principal a sauté ? >>>Vérifiez le fusible.

Condensation sur la paroi intérieure du compartiment réfrigérateur. (MULTIZONE, COOL CONTROL et FLEXI ZONE).

- La température ambiante est très froide >>>N'installez pas le réfrigérateur dans des endroits où la température peut être inférieure à 10 °C.
- La porte a été ouverte souvent. >>>Évitez d'ouvrir et de fermer trop fréquemment la porte du réfrigérateur.
- L'environnement est très humide. >>>N'installez pas votre réfrigérateur dans des endroits très humides.
- La nourriture contenant du liquide est conservée dans des récipients ouverts. >>>Ne conservez pas de la nourriture contenant du liquide dans des récipients ouverts.
- La porte du réfrigérateur est laissée entrouverte. >>>Fermez la porte du réfrigérateur.
- Le thermostat est réglé à un niveau très froid. >>>Réglez le thermostat à un niveau adapté.

Le compresseur ne fonctionne pas.

- Le dispositif de protection thermique du compresseur sautera en cas de coupures soudaines du courant ou de débranchement intempestif, en effet la pression du liquide réfrigérant du système de refroidissement ne sera pas équilibrée. Le réfrigérateur recommencera à fonctionner normalement après 6 minutes environ. Veuillez contacter le service après-vente si le réfrigérateur ne redémarre pas après cette période.
- Le réfrigérateur est en mode de dégivrage. >>>Cela est normal pour un réfrigérateur à dégivrage semi-automatique. Le cycle de dégivrage se déclenche régulièrement.
- Le réfrigérateur n'est pas branché à la prise. >>>Assurez-vous que la prise est branchée dans la prise murale.
- Les réglages de température ne sont pas effectués correctement. >>>Sélectionnez la température appropriée.
- Il y a une panne de courant. >>>Le réfrigérateur recommence à fonctionner normalement après le retour du courant.

Le niveau sonore augmente lorsque le réfrigérateur est en marche.

- Les caractéristiques de performance du réfrigérateur peuvent changer en raison des variations de la température ambiante. Cela est normal et n'est pas un défaut.

Le réfrigérateur fonctionne fréquemment ou pendant de longues périodes.

- Votre nouveau réfrigérateur est peut être plus large que l'ancien. Les grands réfrigérateurs durent plus longtemps.
 - La température de la pièce est probablement **élevée**. >>>Il est normal que l'appareil fonctionne plus longtemps quand la température ambiante est élevée.
- Le réfrigérateur pourrait y avoir été branché tout récemment ou pourrait avoir été chargé de denrées alimentaires.
>>>Quand le réfrigérateur a été branché ou récemment rempli avec de la nourriture, il met plus de temps à atteindre la température réglée. Ce phénomène est normal.
- D'importantes quantités de denrées chaudes ont peut être été introduites dans le réfrigérateur récemment. >>>Ne mettez pas de nourriture chaude dans le réfrigérateur.
- Les portes ont peut être été ouvertes fréquemment ou laissées entrouvertes pendant une durée prolongée. >>>L'air chaud qui entre dans l'appareil oblige le réfrigérateur à travailler sur de plus longues périodes. N'ouvrez pas les portes fréquemment.
- La porte du congélateur ou du réfrigérateur est probablement entrouverte. >>>Vérifiez que les portes sont bien fermées.
- Le réfrigérateur est réglé à une température très basse. >>>Réglez la température du réfrigérateur à un degré supérieur et attendez que la température réglée soit atteinte.
- Le joint de la porte du réfrigérateur ou du congélateur peut être sale, déchiré, rompu ou mal en place. >>>Nettoyez ou remplacez le joint. Tout joint endommagé/déchiré fait fonctionner le réfrigérateur pendant une période de temps plus longue afin de conserver la température actuelle.

La température du congélateur est très basse alors que celle du réfrigérateur est correcte.

- La température du congélateur est réglée à une température très basse. >>>Réglez la température du congélateur à un degré supérieur et vérifiez.

La température du réfrigérateur est très basse alors que celle du congélateur est correcte.

- La température du réfrigérateur est réglée à une température très basse. >>>Réglez la température du réfrigérateur à un degré supérieur et vérifiez.

Les denrées conservées dans les tiroirs du compartiment de réfrigération sont congelées.

- La température du réfrigérateur est réglée à une température très élevée. >>>Réglez la température du réfrigérateur à un niveau inférieur et vérifiez.

La température dans le réfrigérateur ou le congélateur est très élevée.

- La température du réfrigérateur est réglée à une température très élevée. >>>Le réglage du compartiment réfrigérant a un effet sur la température du congélateur. Changez les températures du réfrigérateur ou du congélateur et attendez que les compartiments atteignent une température suffisante.
- Les portes ont peut être été ouvertes fréquemment ou laissées entrouvertes pendant une durée prolongée. >>>N'ouvrez pas les portes fréquemment.
- La porte est entrouverte. >>>Refermez complètement la porte.
- Le réfrigérateur a été récemment branché ou rempli avec de la nourriture. >>>Ce phénomène est normal.
Lorsque le réfrigérateur vient d'être branché ou récemment rempli avec de la nourriture, il met plus de temps à atteindre la température réglée.
- D'importantes quantités de denrées chaudes ont peut être été introduites dans le réfrigérateur récemment. >>>Ne mettez pas de nourriture chaude dans le réfrigérateur.

Vibrations ou bruits

- Le sol n'est pas plat ou stable. >>>Si le réfrigérateur balance lorsqu'il est déplacé lentement, équilibrez-le en ajustant sa base. Assurez-vous que le sol est plat et suffisamment solide pour supporter le poids et le volume de l'appareil.
- Les éléments placés sur le réfrigérateur peuvent faire du bruit. >>>Enlevez les éléments du haut du réfrigérateur.

Le réfrigérateur produit des bruits semblables à de l'eau qui coule, à la pulvérisation d'un liquide, etc.

- Des écoulements de gaz et de liquides surviennent dans le réfrigérateur, de par ses principes de fonctionnement Cela est normal et n'est pas un défaut.

Un sifflement sort du réfrigérateur.

- Les ventilateurs sont utilisés pour refroidir le réfrigérateur. Cela est normal et n'est pas un défaut.

Condensation sur les parois intérieures du réfrigérateur.

- Un temps chaud et humide augmente la formation de givre et de condensation. Cela est normal et n'est pas un défaut.
- Les portes ont peut être été ouvertes fréquemment ou laissées entrouvertes pendant une durée prolongée. >>>N'ouvrez pas les portes fréquemment. Refermez-les si elles sont ouvertes.
- La porte est entrouverte. >>>Refermez complètement la porte.

De l'humidité est présente à l'extérieur ou entre les portes du réfrigérateur.

- Il y a peut être de l'humidité dans l'air ; ceci est tout à fait normal par un temps humide. Lorsque l'humidité est faible, la condensation disparaîtra.

Présence d'une mauvaise odeur dans le réfrigérateur.

- Il n'y a pas de nettoyage régulier effectué. >>>Nettoyez régulièrement l'intérieur du réfrigérateur avec une éponge, de l'eau tiède ou du carbonate dissout dans l'eau.
- Certains récipients ou matériaux d'emballage peuvent provoquer ces odeurs. >>>Utilisez un autre récipient ou changez de marque de matériau d'emballage.
- Les denrées sont mises au réfrigérateur dans des récipients sans couvercle. >>>Conservez les aliments liquides dans des récipients fermés. Les micro-organismes issus de récipients non fermés peuvent dégager des odeurs désagréables.
- Enlevez les aliments périmés et pourris du réfrigérateur.

La porte ne se ferme pas.

- Des récipients empêchent la fermeture de la porte. >>>Retirez les emballages qui obstruent la porte.
- Le réfrigérateur n'est pas complètement vertical sur le sol. >>>Ajustez les pieds du réfrigérateur pour l'équilibrer.
- Le sol n'est pas plat ou solide. >>>Assurez-vous que le sol est plat et qu'il peut supporter le poids du réfrigérateur.

Les bacs à légumes sont coincés.

- Il se peut que les denrées touchent le haut du tiroir. >>>Disposez à nouveau les denrées dans le tiroir.

Bitte lesen Sie zuerst diese Anleitung!

Lieber Kunde,

Wir sind sicher, dass Ihnen dieses Produkt, das in modernsten Fertigungsstätten hergestellt und den strengsten Qualitätsprüfungen unterzogen wurde, lange Zeit gute Dienste leisten wird.

Wir empfehlen Ihnen, vor Inbetriebnahme des Gerätes das gesamte Handbuch durchzulesen und es anschließend aufzubewahren.

Diese Anleitung...

- hilft Ihnen, Ihr Gerät schnell und sicher zu bedienen.
- Lesen Sie die Anleitung, bevor Sie Ihr Gerät aufstellen und bedienen.
- Halten Sie sich an die Anweisungen, beachten Sie insbesondere die Sicherheitshinweise.
- Bewahren Sie die Anleitung an einem leicht zugänglichen Ort auf, damit Sie jederzeit darin nachschlagen können.
- Lesen Sie auch die weiteren Dokumente, die mit Ihrem Produkt geliefert wurden.
- Bitte beachten Sie, dass diese Anleitung eventuell auch für andere Geräte eingesetzt werden kann.

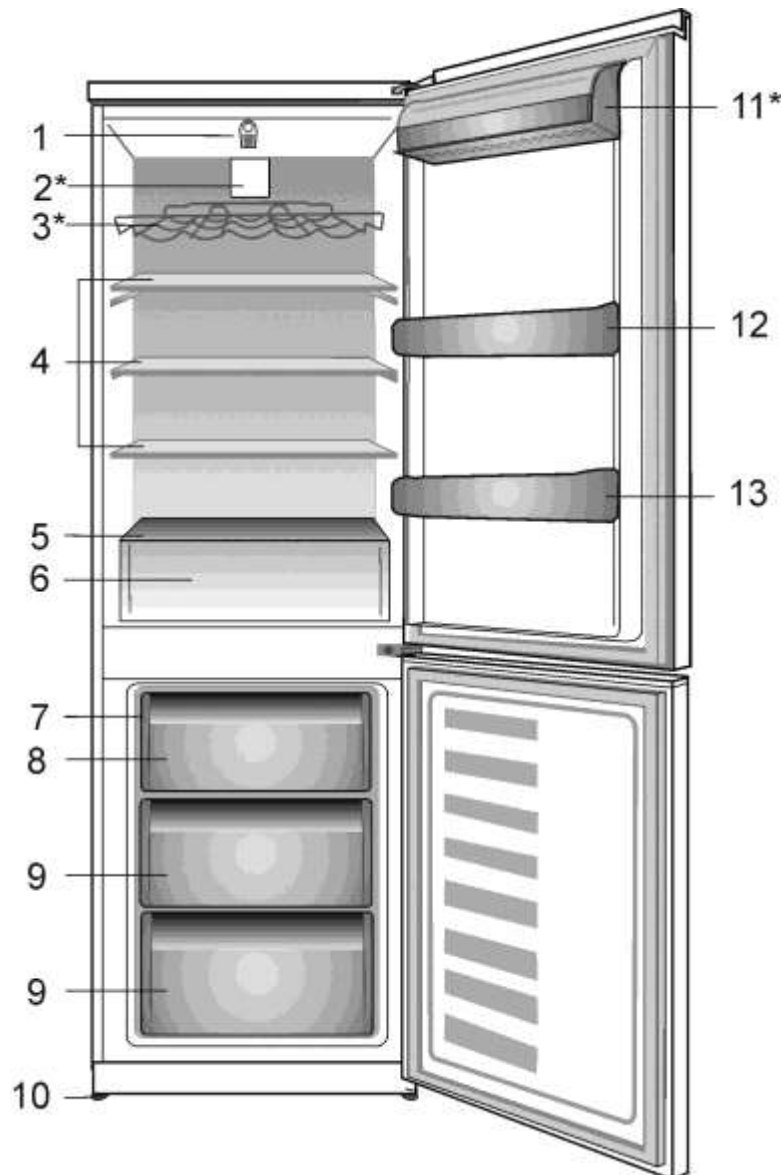
Symbole und ihre Bedeutung

In dieser Anleitung finden Sie die folgenden Symbole:

- C** Wichtige Informationen oder nützliche Tipps.
- A** Warnung vor Verletzungen oder Sachschäden.
- B** Warnung vor elektrischem Strom.

| | | | |
|---|-----------------|--|------------------|
| <u>1 Ihr Kühlschrank/Gefrierschrank</u> | <u>3</u> | <u>4 Vorbereitung</u> | <u>11</u> |
| <u>2 Wichtige Sicherheitshinweise</u> | <u>4</u> | <u>5 Nutzung des Kühlschranks</u> | <u>12</u> |
| Bestimmungsgemäßer Einsatz..... | 4 | Thermostateinstelltaste..... | 12 |
| Allgemeine Hinweise zu Ihrer Sicherheit..... | 4 | Abtauen..... | 13 |
| Bei Produkten mit einem Wasserspender..... | 6 | Frische Lebensmittel tiefkühlen..... | 14 |
| Kinder – Sicherheit..... | 6 | Empfehlungen zur Konservierung von gefrorenen Lebensmitteln..... | 15 |
| Erfüllung von WEEE-Vorgaben zur Entsorgung von Altgeräten | 6 | Empfehlungen zum Kühlbereich..... | 15 |
| Hinweise zur Verpackung..... | 7 | Türanschlag umkehren..... | 16 |
| HCA Warnung..... | 7 | <u>6 Wartung und Reinigung</u> | <u>17</u> |
| Tipps zum Energiesparen..... | 7 | Unangenehme Gerüche verhindern.... | 17 |
| <u>3 Installation</u> | <u>8</u> | Schutz der Kunststoffflächen..... | 17 |
| Wenn Sie den Kühlschrank versetzen möchten..... | 8 | <u>7 Empfehlungen zur Problemlösung</u> | <u>18</u> |
| Vor dem Einschalten..... | 8 | | |
| Elektrischer Anschluss..... | 9 | | |
| Verpackungsmaterialien entsorgen..... | 9 | | |
| Altgeräte entsorgen..... | 9 | | |
| Aufstellung und Installation..... | 9 | | |
| Auswechseln der Beleuchtung..... | 9 | | |
| Füße einstellen..... | 9 | | |

1 Ihr Kühlschrank/Gefrierschrank



1. Thermostat und Beleuchtungsarmatur
2. Ventilator vers voedsel*
3. Weinablage*
4. Verstellbare Ablagen
5. Abdeckung
6. Gemüsefächer
7. Eisschale
8. Schnellgefrierfach
9. Fächer zur Aufbewahrung aufreuer Lebensmittel

10. Einstellbare Füße an der Vorderseite
11. Bereich für Milchprodukte*
12. Ablage
13. Ablage für Flaschen

* **Optional**

C Abbildungen und Angaben in dieser Anleitung sind schematisch und können etwas von Ihrem Gerät abweichen. Falls Teile nicht zum Lieferumfang des erworbenen Gerätes zählen, gelten sie für andere Modelle.

2 Wichtige Sicherheitshinweise

Bitte lesen Sie die folgenden Hinweise aufmerksam durch. Bei Nichtbeachtung dieser Angaben kann es zu Verletzungen und Sachschäden kommen. In diesem Fall erlöschen auch sämtliche Garantie- und sonstigen Ansprüche.

Die reguläre Einsatzzeit des von Ihnen erworbenen Gerätes beträgt 10 Jahre. In diesem Zeitraum halten wir Ersatzteile für das Gerät bereit, damit es stets wie gewohnt arbeiten kann.

Bestimmungsgemäßer Einsatz

Dieses Produkt dient dem Einsatz in

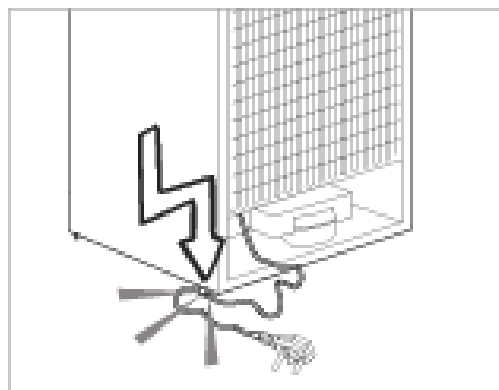
- Innenräumen und geschlossenen Bereichen, wie z. B. Haushalten;
- geschlossenen Arbeitsbereichen, wie Läden und Büros;
- geschlossenen Unterkunftsbereichen, wie Bauernhöfen, Hotels und Pensionen.
- Das Gerät sollte nicht im Freien benutzt werden.

Allgemeine Hinweise zu Ihrer Sicherheit

- Wenn Sie das Gerät entsorgen möchten, wenden Sie sich am besten an den autorisierten Kundendienst. Hier erhalten Sie notwendige Informationen und erfahren, welche Stellen für die Entsorgung zuständig sind.
- Bei Problemen und Fragen zum Gerät wenden Sie sich grundsätzlich an den autorisierten Kundendienst. Ziehen Sie keine Dritten zu Rate, versuchen Sie nichts in Eigenregie, ohne den autorisierten Kundendienst davon in Kenntnis zu setzen.
- Bei Geräten mit Tiefkühlbereich: Der Verzehr von Speiseeis und Eiswürfeln unmittelbar nach der Entnahme aus dem Tiefkühlbereich ist nicht ratsam. (Dies kann zu Erfrierungen führen.)

- Bei Geräten mit Tiefkühlbereich: Bewahren Sie Getränke in Flaschen sowie Dosen niemals im Tiefkühlbereich auf. Diese platzen.
- Berühren Sie gefrorene Lebensmittel nicht mit der Hand; sie können festfrieren.
- Trennen Sie Ihren Kühlschrank / Gefrierschrank vor dem Reinigen oder Abtauen vom Stromnetz.
- Verwenden Sie niemals Dampfoder Sprühreiniger zum Reinigen und Abtauen Ihres Kühlschranks. Die Dämpfe oder Nebel können in Kontakt mit stromführenden Teilen geraten und Kurzschlüsse oder Stromschläge auslösen.
- Missbrauchen Sie niemals Teile Ihres Kühlschranks (z. B. Tür) als Befestigungen oder Kletterhilfen.
- Nutzen Sie keine elektrischen Geräte innerhalb des Kühlschranks.
- Achten Sie darauf, den Kühlkreislauf keinesfalls mit Bohr- oder Schneidwerkzeugen zu beschädigen. Das Kühlmittel kann herausspritzen, wenn die Gaskanäle des Verdunsters, Rohr- und Schlauchleitungen oder Oberflächenversiegelungen beschädigt werden. Dies kann zu Hautreizungen und Augenverletzungen führen.
- Decken Sie keinerlei Belüftungsöffnungen des Kühlschranks ab.
- Elektrische Geräte dürfen nur von autorisierten Fachkräften repariert werden. Reparaturen durch weniger kompetente Personen können erhebliche Gefährdungen des Anwenders verursachen.

- Sollten Fehler oder Probleme während der Wartung oder Reparaturarbeiten auftreten, so trennen Sie den Kühlschrank / Gefrierschrank von der Stromversorgung, indem Sie die entsprechende Sicherung abschalten oder den Netzstecker ziehen.
- Ziehen Sie niemals am Netzkabel – ziehen Sie direkt am Stecker. Lagern Sie hochprozentige alkoholische Getränke gut verschlossen und aufrecht.
- Bewahren Sie niemals Sprühdosen mit brennbaren und explosiven Substanzen im Kühlschrank / Gefrierschrank auf.
- Nutzen Sie keine mechanischen oder anderen Hilfsmittel, um das Gerät abzutauen – es sei denn, solche Hilfsmittel werden ausdrücklich vom Hersteller empfohlen.
- Dieses Produkt darf nicht von Personen (einschließlich Kindern) mit eingeschränkten physischen, sensorischen oder geistigen Fähigkeiten bedient werden, sofern sie nicht durch eine Person, die für ihre Sicherheit verantwortlich ist, in der Bedienung des Produktes angeleitet werden.
- Nehmen Sie einen beschädigten Kühlschrank / Gefrierschrank nicht in Betrieb. Wenden Sie sich bei jeglichen Zweifeln an einen Kundendienstmitarbeiter.
- Die elektrische Sicherheit des Gerätes ist nur dann gewährleistet, wenn das hausinterne Erdungssystem den zutreffenden Normen entspricht.
- Setzen Sie das Gerät keinem Regen, Schnee, direktem Sonnenlicht oder Wind aus, da dies die elektrische Sicherheit gefährden kann.
- Wenden Sie sich zur Vermeidung von Gefahren an den autorisierten Kundendienst, falls das Netzkabel beschädigt ist.
- Stecken Sie während der Installation niemals den Netzstecker ein. Andernfalls kann es zu schweren bis tödlichen Verletzungen kommen.
- Dieser Kühlschrank / Gefrierschrank dient nur der Aufbewahrung von Lebensmitteln. Für andere Zwecke sollte er nicht verwendet werden.
- Das Etikett mit den technischen Daten befindet sich an der linken Innenwand des Kühlschranks.
- Schließen Sie Ihren Kühlschrank / Gefrierschrank niemals an energiesparende Systeme an; dies kann den Kühlschrank / Gefrierschrank beschädigen.
- Falls der Kühlschrank / Gefrierschrank über ein blaues Licht verfügt, blicken Sie nicht mit optischen Werkzeugen in das blaue Licht.
- Bei manuell gesteuerten Kühlschränken warten Sie mindestens 5 Minuten, bevor Sie den Kühlschrank / Gefrierschrank nach einem Stromausfall wieder einschalten.
- Falls Sie das Gerät an einen anderen Besitzer weitergeben, vergessen Sie nicht, die Bedienungsanleitung ebenfalls auszuhändigen.
- Achten Sie darauf, dass das Netzkabel beim Transport des Kühlschranks nicht beschädigt wird. Übermäßiges Biegen des Kabels birgt Brandgefahr. Platzieren Sie keine schweren Gegenstände auf dem Netzkabel. Berühren Sie den Netzstecker niemals mit feuchten oder gar nassen Händen.
- Schließen Sie den Kühlschrank / Gefrierschrank nicht an, wenn die Steckdose lose sitzt.



- Sprühen Sie aus Sicherheitsgründen niemals direkt Wasser auf die Innen- und Außenflächen des Gerätes.

- Sprühen Sie keine Substanzen mit brennbaren Gasen, wie z. B. Propangas, in die Nähe des Kühlschranks; andernfalls bestehen Brand- und Explosionsgefahr.
- Platzieren Sie keine mit Wasser gefüllten Gegenstände auf dem Kühlschrank; dies birgt Brand- und Stromschlaggefahr.
- Überladen Sie Ihren Kühlschrank / Gefrierschrank nicht mit zu großen Mengen an Lebensmitteln. Wenn das Gerät überladen ist, können beim Öffnen der Kühlschranktür Lebensmittel herausfallen und Verletzungen verursachen. Stellen Sie keinesfalls Gegenstände auf den Kühlschrank; sie könnten beim Öffnen oder Schließen der Kühlschranktür herunterfallen.
- Materialien wie beispielsweise Impfstoffe, wärmeempfindliche Arznei, wissenschaftliche Proben usw. sollten nicht im Kühlschrank / Gefrierschrank aufbewahrt werden, da sie bei exakt festgelegten Temperaturen gelagert werden müssen.
- Trennen Sie den Kühlschrank / Gefrierschrank vom Stromnetz, wenn er längere Zeit nicht benutzt wird. Ein mögliches Problem im Netzkabel kann einen Brand auslösen.
- Der Stecker sollte regelmäßig gereinigt werden; andernfalls besteht Brandgefahr.
- Die Steckerkontakte sollten regelmäßig gereinigt werden; andernfalls besteht Brandgefahr.
- Wenn die höhenverstellbaren Füße nicht sicher auf dem Boden stehen, kann sich der Kühlschrank / Gefrierschrank bewegen. Die angemessene Sicherung der höhenverstellbaren Füße am Boden kann eine Bewegung des Kühlschranks verhindern.
- Halten Sie den Kühlschrank / Gefrierschrank beim Tragen nicht am Türgriff. Andernfalls könnte er abbrechen.
- Wenn Sie Ihr Produkt neben einem anderen Kühl- oder Gefrierschrank aufstellen möchten, sollte der Abstand zwischen beiden Geräten mindestens 8 cm betragen. Andernfalls können die benachbarten Seitenwände feucht werden.

Bei Produkten mit einem Wasserspender

Der Wasserdruck sollte mindestens 1 bar und höchstens 8 bar betragen.

- Nur Trinkwasser verwenden.

Kinder – Sicherheit

- Bei abschließbaren Türen bewahren Sie den Schlüssel außerhalb der Reichweite von Kindern auf.
- Achten Sie darauf, dass Kinder nicht mit dem Produkt spielen.

Erfüllung von WEEE-Vorgaben zur Entsorgung von Altgeräten:



■ Dieses Produkt erfüllt die Vorgaben der EU-WEEE-Direktive (2012/19/EU). Das Produkt wurde mit **e i n e m** Klassifizierungssymbol für elektrische und elektronische Altgeräte (WEEE) gekennzeichnet.

Dieses Gerät wurde aus hochwertigen Materialien hergestellt, die wiederverwendet und recycelt werden können. Entsorgen Sie das Gerät am Ende seiner Einsatzzeit nicht mit dem regulären Hausmüll; geben Sie es stattdessen bei einer Sammelstelle zur Wiederverwertung von elektrischen und elektronischen Altgeräten ab. Ihre Stadtverwaltung informiert Sie gerne über geeignete Sammelstellen in Ihrer Nähe.

Hinweise zur Verpackung

Die Verpackungsmaterialien des Gerätes wurden gemäß nationalen Umweltschutzbestimmungen aus recyclingfähigen Materialien hergestellt. Entsorgen Sie Verpackungsmaterialien nicht mit dem regulären Hausmüll oder anderen Abfällen. Bringen Sie Verpackungsmaterialien zu geeigneten Sammelstellen; Ihre Stadtverwaltung berät Sie gern.

HCA-Warnung

Falls das Kühlsystem Ihres Produktes R600a enthält:

Dieses Gas ist leicht entflammbar. Achten Sie also darauf, Kühlkreislauf und Leitungen während Betrieb und Transport nicht zu beschädigen. Bei Beschädigungen halten Sie das Produkt von potenziellen Zündquellen (z. B. offenen Flammen) fern und sorgen für eine gute Belüftung des Raumes, in dem das Gerät aufgestellt wurde.

Ignorieren Sie diese Warnung, falls das Kühlsystem Ihres Produktes R134a enthält.

Die Art des im Produkt eingesetzten Gases wird auf dem Typenschild an der linken Innenwand des Kühlschranks angegeben.

Entsorgen Sie das Produkt keinesfalls durch Verbrennen.

Tipps zum Energiesparen

- Achten Sie darauf, die Türen nur möglichst kurzzeitig zu öffnen; lassen Sie die Türen nicht längere Zeit offen stehen. Bei geöffneten Türen dringt warme Luft in den Kühl- oder Tiefkühlbereich ein, das Gerät braucht mehr Energie zum Kühlen der Lebensmittel. Öffnen Sie die Türen daher möglichst selten – so sparen Sie Energie und lagern Ihre Lebensmittel bei optimalen Temperaturen.
 - Geben Sie keine warmen Speisen oder Getränke in den Kühlschrank.
 - Überladen Sie den Kühlschrank / Gefrierschrank nicht; die Luft muss frei zirkulieren können.
 - Stellen Sie den Kühlschrank / Gefrierschrank nicht im direkten Sonnenlicht oder in der Nähe von Wärmequellen wie Öfen, Spülmaschinen oder Heizkörpern auf.
 - Achten Sie darauf, Ihre Lebensmittel in verschlossenen Behältern aufzubewahren.
- Die Temperatur des Raumes, in dem der Kühlschrank/Gefrierschrank aufgestellt wird, sollte 10 °C betragen. Im Hinblick auf den Wirkungsgrad ist der Betrieb des Kühlschranks/Gefrierschranks bei geringerer Umgebungstemperatur nicht ratsam.
- Das Innere des Kühlschranks/Gefrierschranks muss gründlich gereinigt werden.

3 Installation

B Der Hersteller haftet nicht, falls die Angaben in dieser Anleitung nicht berücksichtigt werden.

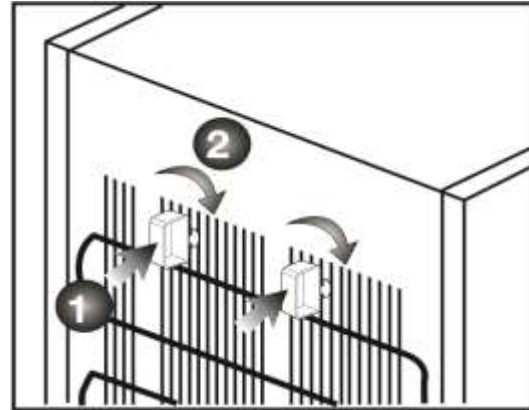
Wenn Sie den Kühlschrank versetzen möchten:

1. Ziehen Sie zuvor den Netzstecker. Der Kühlschrank sollte geleert und gesäubert werden, bevor Sie ihn transportieren oder versetzen.
2. Sichern Sie die beweglichen Teile im Inneren (z. B. Ablagen, Zubehör, Gemüsefach etc.) vor dem Verpacken mit Klebeband, schützen Sie solche Teile vor Stößen. Umwickeln Sie die Verpackung mit kräftigem Klebeband oder stabilen Schnüren, beachten Sie die Transporthinweise auf der Verpackung.
3. Originalverpackung und Schaumstoffmaterialien sollten zum zukünftigen Transport des Gerätes aufbewahrt werden.

Vor dem Einschalten

Beachten Sie Folgendes, bevor Sie Ihren Kühlschrank benutzen:

1. Bringen Sie die beiden Kunststoffkeile wie nachstehend abgebildet an. Die Kunststoffkeile sorgen für den nötigen Abstand zwischen Kühlschrank und Wand, damit die Luft frei zirkulieren kann. (Die Abbildung dient lediglich zur Orientierung und kann daher etwas von Ihrem Gerät abweichen.)



2. Reinigen Sie das Innere des Kühlschranks wie im Abschnitt „Wartung und Reinigung“ beschrieben.
3. Schließen Sie den Netzstecker des Kühlschranks an eine Steckdose an. Beim Öffnen der Tür leuchtet die Innenbeleuchtung auf.
4. Beim Anspringen des Kompressors sind Geräusche zu hören. Die Flüssigkeiten und Gase im Kühlsystem können auch leichte Geräusche erzeugen, wenn der Kompressor nicht läuft. Dies ist völlig normal.
5. Die Vorderkanten des Kühlgerätes können sich warm anfühlen. Dies ist normal. Diese Bereiche wärmen sich etwas auf, damit sich kein Kondenswasser bildet.

Elektrischer Anschluss

Schließen Sie das Gerät an eine geerdete (Schuko-) Steckdose an. Diese Steckdose muss mit einer passenden Sicherung abgesichert werden.

Wichtig:

- Der Anschluss muss gemäß lokaler Vorschriften erfolgen.
- Der Netzstecker muss nach der Installation frei zugänglich bleiben.
- Die auf dem Typenschild an der linken Innenwand des Gerätes angegebene Spannung muss mit Ihrer Netzspannung übereinstimmen.
- **Zum Anschluss dürfen keine Verlängerungskabel oder Mehrfachsteckdosen verwendet werden.**

B Ein beschädigtes Netzkabel muss unverzüglich durch einen qualifizierten Elektriker ausgetauscht werden.

B Das Gerät darf vor Abschluss der Reparaturen nicht mehr betrieben werden! Es besteht Stromschlaggefahr!

Verpackungsmaterialien entsorgen

Das Verpackungsmaterial kann eine Gefahr für Kinder darstellen. Halten Sie Verpackungsmaterialien von Kindern fern oder entsorgen Sie das Verpackungsmaterial gemäß gültigen Entsorgungsbestimmungen. Entsorgen Sie das Verpackungsmaterial über geeignete Sammelstellen (Ihre Stadtverwaltung informiert Sie gerne), nicht über den regulären Hausmüll.

Die Verpackung Ihres Gerätes wurde aus recyclingfähigen Materialien hergestellt.

Altgeräte entsorgen

Entsorgen Sie Altgeräte auf umweltfreundliche Weise.

- Bei Fragen zur richtigen Entsorgung wenden Sie sich bitte an Ihren Händler, an eine Sammelstelle oder an Ihre Stadtverwaltung.

Bevor Sie das Gerät entsorgen, schneiden Sie den Netzstecker ab und machen die Türverschlüsse (sofern vorhanden) unbrauchbar, damit Kinder nicht in Gefahr gebracht werden.

Aufstellung und Installation

A Falls die Tür des Raumes, in dem der Kühlschrank aufgestellt werden soll, nicht breit genug ist, wenden Sie sich an den autorisierten Kundendienst, lassen die Kühlschranktüren demontieren und befördern das Gerät seitlich durch die Tür.

1. Stellen Sie Ihren Kühlschrank an einer gut erreichbaren Stelle auf.
2. Platzieren Sie den Kühlschrank nicht in der Nähe von Wärmequellen oder dort, wo er Feuchtigkeit oder direktem Sonnenlicht ausgesetzt ist.
3. Damit das Gerät richtig arbeiten kann, müssen Sie ausreichend Platz um das Gerät herum freilassen, damit eine ordentliche Belüftung gewährleistet ist. Wenn Sie den Kühlschrank in einer Nische aufstellen, müssen Sie einen Abstand von mindestens 5 cm zur Decke und 5 cm zu den Wänden einhalten. Stellen Sie das Gerät nicht auf Materialien wie Teppichen oder Teppichböden auf.
4. Stellen Sie Ihren Kühlschrank auf einem ebenen Untergrund auf, damit er nicht wackelt.

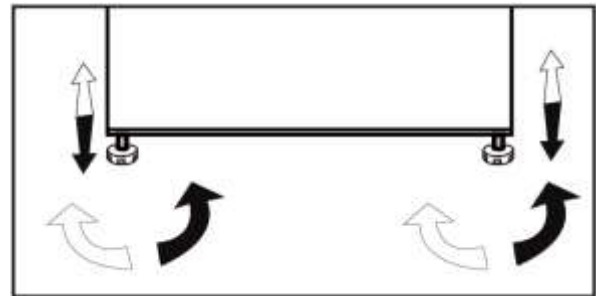
Auswechseln der Beleuchtung

Die Innenbeleuchtung Ihres Kühlschranks /Gefrierschranks sollte ausschließlich vom autorisierten Kundendienst ausgetauscht werden.

Die Glühbirnen für dieses Haushaltsgerät sind für Beleuchtungszwecke nicht geeignet. Die beabsichtigte Aufgabe dieser Lampe ist es den Benutzer zu ermöglichen die Plazierung der Lebensmittel in den Kühlschrank / Eiskühltruhe sicher und bequem vorzunehmen. Die in diesem Gerät verwendeten Lampen müssen extremen physikalischen Bedingungen, wie z. B. Temperaturen von -20°C , standhalten.

FüÙe einstellen

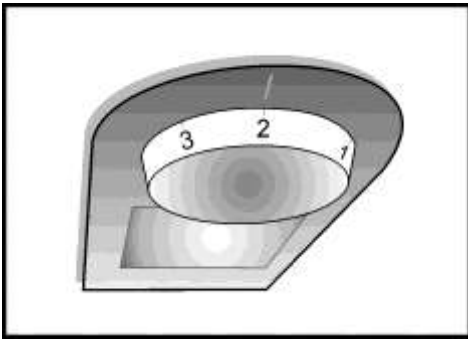
Wenn Ihr Kühlschrank nicht absolut gerade steht:
Sie können den Kühlschrank – wie in der Abbildung gezeigt – durch Drehen der FrontfüÙe ausbalancieren. Wenn Sie in Richtung des schwarzen Pfeils drehen, senkt sich die Ecke, an der sich der Fuß befindet. Beim Drehen in Gegenrichtung wird die Ecke angehoben. Diese Arbeit fällt erheblich leichter, wenn ein Helfer das Gerät etwas anhebt.



4 Vorbereitung

- Ihr Kühlschrank / Gefrierschrank sollte mindestens 30 cm von Hitzequellen wie Kochstellen, Öfen, Heizungen, Herden und ähnlichen Einrichtungen aufgestellt werden. Halten Sie mindestens 5 cm Abstand zu Elektroöfen ein, vermeiden Sie die Aufstellung im direkten Sonnenlicht.
- Sorgen Sie dafür, dass das Innere Ihres Kühlschrank / Gefrierschranks gründlich gereinigt wird.
- Falls zwei Kühlschränke nebeneinander platziert werden sollen, achten Sie darauf, dass sie mindestens 2 cm voneinander entfernt aufgestellt werden.
- Wenn Sie den Kühlschrank / Gefrierschrank zum ersten Mal in Betrieb nehmen, halten Sie sich bitte an die folgenden Anweisungen für die ersten sechs Betriebsstunden.
- Die Kühlschrank / Gefrierschrantür sollte nicht zu häufig geöffnet werden.
- Der Kühlschrank / Gefrierschrank muss zunächst vollständig leer arbeiten.
- Ziehen Sie nicht den Netzstecker. Falls der Strom ausfallen sollte, beachten Sie die Warnhinweise im Abschnitt „Empfehlungen zur Problemlösung“.
- Das Gerät wurde zum Betrieb bei Umgebungstemperaturen bis 43 °C ausgelegt. Auch falls die

5 Nutzung des Kühlschranks



Thermostateinstelltaste

Die Innentemperatur Ihres Kühlschranks hängt teilweise von folgenden Einflüssen ab:

- Umgebungstemperatur
- Häufigkeit der Türöffnungen, Offenstehen der Tür über längere Zeit
- Einlagern von Lebensmitteln, ohne diese zuvor auf Raumtemperatur abkühlen zu lassen
- Platzierung des Kühlschranks innerhalb des Raumes (z. B. im direkten Sonnenlicht).
- Zum Anpassen der Innentemperatur an solche Einflüsse benutzen Sie das Thermostat.

Mit dem Thermostat kann die gewünschte Lagertemperatur eingestellt werden.

Wenn das Gerät die eingestellte Temperatur erreicht hat, schaltet sich der Thermostat automatisch aus, steigt die Temperatur wieder, so schaltet es sich wieder ein.

Stellung „MAX“ bedeutet die niedrigste Innentemperatur (kälteste Einstellung). Wird der Temperaturregler auf Stufe Mitte zwischen Min. und Max. eingestellt, so wird im Kühlbereich automatisch +5°C (+41°F) erreicht.

Im Kühlschrank gibt es kältere und wärmere Zonen (Gemüseschublade, oberes Teil des Kühlschranks). Jedes Lebensmittel sollte den richtigen Platz bekommen, damit es lange frisch bleibt. Wir empfehlen, die Temperatur der Raumtemperatur, der Häufigkeit mit der der Kühlschrank geöffnet wird, sowie der Menge der eingelagerten Lebensmittel entsprechend einzustellen. Die Temperatur im Kühlschrank regelmäßig an verschiedenen Stellen mit einem Thermometer messen. Vermeiden Sie unnötiges und zu langes Öffnen der Tür.

Abtauen

A) Kühlbereich

Der Kühlbereich tauet vollautomatisch ab. Im Betrieb können sich Wassertropfen und eine 7 – 8 mm starke Eisschicht an der Innenwand des Kühlbereiches absetzen. Dies ist vollkommen normal und ein Nebeneffekt des Kühlungssystems. Dank des automatischen Abtausystems an der Rückwand wird das Eis in bestimmten Abständen automatisch abgetaut. Weder Eis noch Wassertropfen müssen manuell entfernt werden.

Beim Abtauen läuft das Tauwasser in die Ablaufrinne und fließt anschließend zum Verdampfer - hier verdunstet das Wasser automatisch.

Überzeugen Sie sich regelmäßig davon, dass der Ablauf nicht verstopft ist; beseitigen Sie eventuelle Verstopfungen mit dem Stäbchen.

Der Tiefkühlbereich wird nicht automatisch abgetaut, da es ansonsten schnell zum Verderben gefrorener Lebensmittel kommen könnte.

B) Tiefkühlbereich

Tauen Sie zweimal jährlich ab, oder wenn die Eisschicht auf etwa 7 mm angewachsen ist. Um den Abtauprozess zu starten, schalten Sie das Gerät am Steckdosenschalter aus und ziehen den Stecker aus der Steckdose.

Sämtliche Lebensmittel sollten in mehrere Lagen Papier eingewickelt und an einem kalten Ort (z. B. Kühlschrank oder Speisekammer) gelagert werden.

Um den Abtauvorgang zu beschleunigen, können Sie Schüsseln mit warmem Wasser in das Gerät stellen.

Verwenden Sie keine spitzen oder scharfen Gegenstände (wie Messer oder Gabeln) zum Entfernen der Eisschicht. Verwenden Sie niemals Haartrockner, elektrische Heizgeräte oder ähnliches zum Beschleunigen des Abtauvorgangs.

Wischen Sie das Tauwasser, welches sich am Boden des Tiefkühlbereichs ansammelt, mit einem Schwamm auf. Trocknen Sie nach Beendigung des Abtauens die Innenseiten gut ab.

Stecken Sie den Netzstecker wieder in die Steckdose, schalten Sie die Stromzufuhr wieder ein.

Frische Lebensmittel tiefkühlen

- Es ist ratsam, die Lebensmittel einzuwickeln oder abzudecken, bevor sie im Kühlschrank gelagert werden.
 - Heiße Spiesen müssen auf Raumtemperatur abgekühlt sein, ehe sie in den Kühlschrank gegeben werden.
 - Lebensmittel, die Sie einfrieren möchten, sollten frisch und von guter Qualität sein.
 - Verteilen Sie die Lebensmittel / Gerichte auf familienfreundliche oder sonstige sinnvolle Portionen.
 - Lebensmittel sollten luftdicht verpackt sein, damit sie nicht austrocknen. Dies gilt auch dann, wenn Sie Lebensmittel nur kurze Zeit lagern möchten.
 - Geeignete Verpackungsmaterialien müssen reißfest, luftdicht und unempfindlich gegenüber Kälte, Feuchtigkeit, Gerüchen, Ölen und Säuren sein. Darüber hinaus müssen sie sich leicht verschließen lassen, unkompliziert in der Handhabung und natürlich zum Tiefkühlen geeignet sein.
 - Verbrauchen Sie eingefrorene Lebensmittel nicht direkt nach dem Auftauen und frieren Sie sie nicht wieder ein.
 - Bitte beachten Sie die folgenden Hinweise, um beste Resultate zu erzielen.
1. Frieren Sie nicht zu große Mengen auf einmal ein. Die Qualität der Lebensmittel bleibt am besten erhalten, wenn sie so schnell wie möglich bis in den Kern tiefgekühlt werden.

2. Wenn Sie noch warme Speisen in das Tiefkühlfach stellen, bewirken Sie damit, dass das Kühlsystem ununterbrochen arbeitet, bis die Speisen komplett tiefgekühlt sind.

3. Achten Sie besonders darauf, bereits tiefgekühlte und frische Speisen nicht zu vermischen.

- Heiße Speisen und Getränke müssen auf Raumtemperatur abgekühlt sein, ehe sie in den Kühlschrank gegeben werden.
- Das maximale TK-Stauvolumen wird ohne Schubladen und obere Ablage im Tiefkühlfach erzielt. Der Energieverbrauch Ihres Gerätes wurde bei komplett gefüllten Ablagen im Tiefkühlfach ohne Schubladen und obere Ablage ermittelt.
- Bei Stromausfall halten Sie die Tür des Tiefkühlbereiches geschlossen. Gefrorene Lebensmittel nehmen keinen Schaden, solange der Stromausfall nicht länger als unter „Haltezeit nach Ausfall“ (siehe Technische Daten) angegeben andauert. Falls der Stromausfall länger andauern sollte, müssen Sie die Lebensmittel überprüfen und nötigenfalls entweder sofort konsumieren oder kochen und danach wieder einfrieren.
- Bitte beachten Sie beim Kauf das Mindesthaltbarkeitsdatum und die empfohlene Aufbewahrungstemperatur. Verzehren Sie keine Lebensmittel mit abgelaufenem Mindesthaltbarkeitsdatum.

Empfehlungen zur Konservierung von gefrorenen Lebensmitteln

Handelsübliche, verpackte Tiefkühlkost sollte gemäß den Hinweisen des Herstellers zur Lagerung in Viersterne-Fächern *** **** gelagert werden.

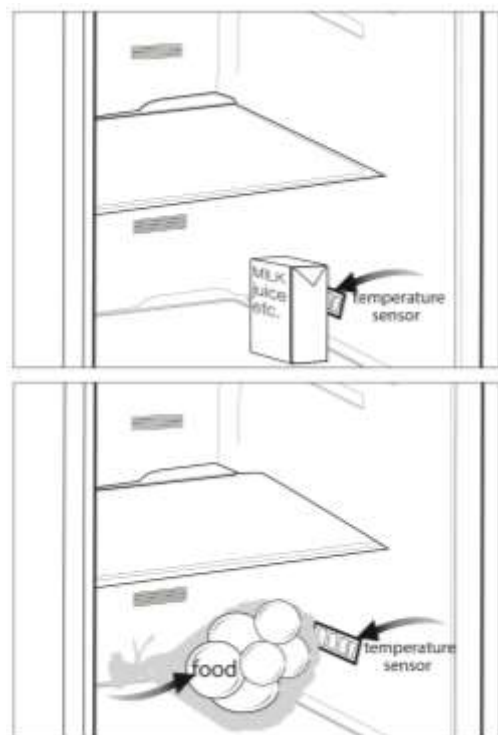
Um besonders gute Ergebnisse zu erzielen und zu erhalten, sollten Sie Folgendes berücksichtigen:

1. Geben Sie Lebensmittel so schnell wie möglich nach dem Kauf in den Tiefkühlbereich.
2. Sorgen Sie dafür, dass sämtliche Lebensmittel beschriftet und mit einem Datum versehen werden.
3. Achten Sie darauf, dass das Mindesthaltbarkeitsdatum auf der Verpackung nicht überschritten wird.

Empfehlungen zum Kühlbereich

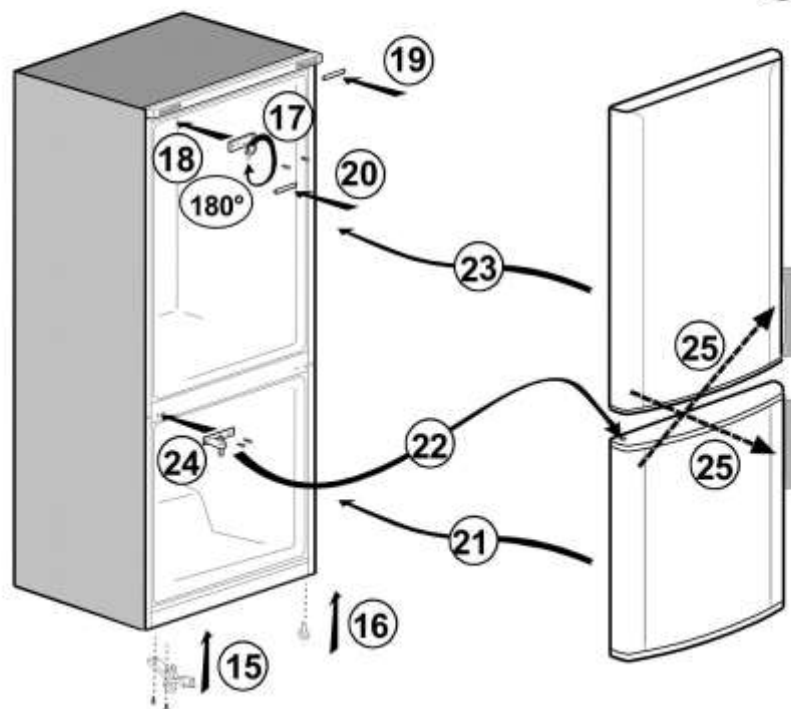
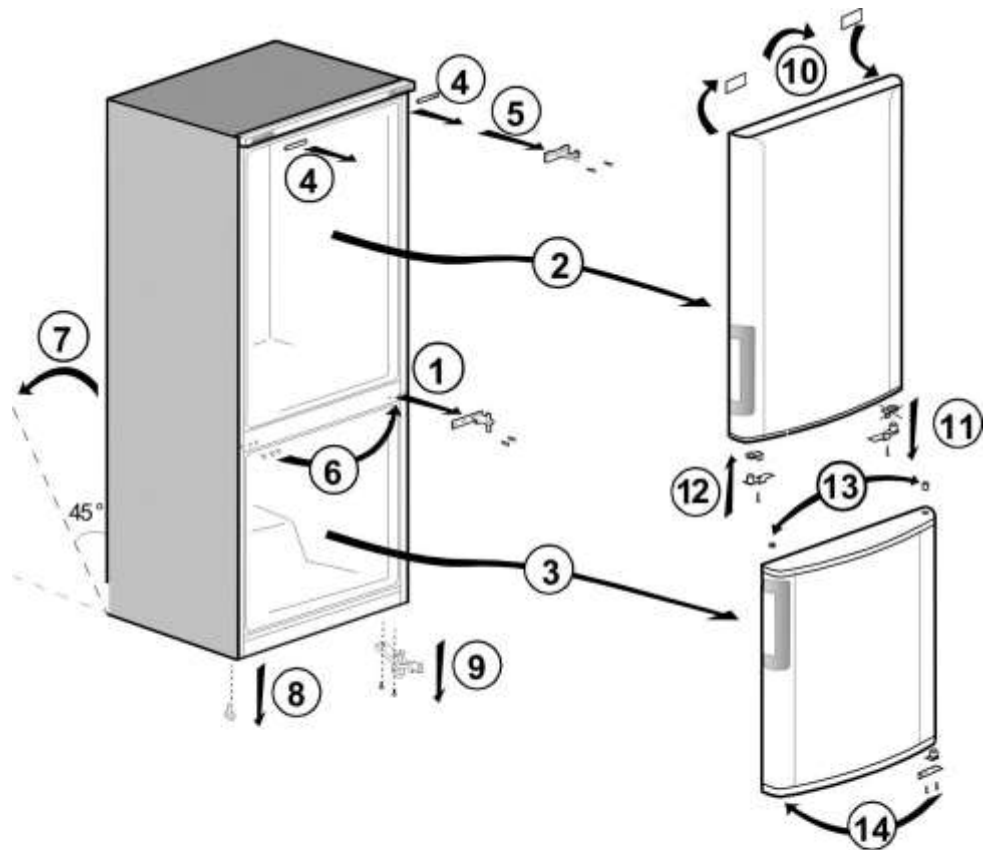
*optional

- Achten Sie darauf, dass der Temperatursensor im Kühlbereich nicht mit Lebensmitteln in Berührung kommt. Damit die optimale Lagerungstemperatur im variablen Fach beibehalten werden kann, darf der Sensor nicht von Lebensmitteln blockiert werden.
- Geben Sie keine heißen Speisen in das Gerät.



Türanschlag umkehren

Gehen Sie der Reihe nach vor.



6 **Wartung und Reinigung**

- A** Verwenden Sie zu Reinigungszwecken niemals Benzin oder ähnliche Substanzen.
- B** Wir empfehlen, vor dem Reinigen den Netzstecker zu ziehen.
- C** Verwenden Sie zur Reinigung niemals scharfe Gegenstände, Seife, Haushaltsreiniger, Waschmittel oder Wachspolituren.
- C** Reinigen Sie das Gehäuse des Gerätes mit lauwarmem Wasser, wischen Sie die Flächen danach trocken.
- B** Zur Reinigung des Innenraums verwenden Sie ein feuchtes Tuch, das Sie in eine Lösung aus 1 Teelöffel Natron und einem halben Liter Wasser getaucht und ausgewrungen haben. Nach dem Reinigen wischen Sie den Innenraum trocken.
- B** Achten Sie darauf, dass kein Wasser in das Lampengehäuse oder andere elektrische Komponenten eindringt.
- A** Verwenden Sie zur Reinigung der Außenflächen und Chrombeschichteten Produktteile niemals Reinigungsmittel oder Wasser, die/das Chlor enthält. Chlor last Metalloberflächen korrodieren.

Unangenehme Gerüche verhindern

Bei der Herstellung Ihres Kühlschranks/ Gefrierschranks wurde darauf geachtet, dass keine Materialien verwendet wurden, die unangenehme Gerüche verursachen können. Allerdings können natürlich nach wie vor unangenehme Gerüche auftreten, wenn

Lebensmittel nicht richtig gelagert werden und/oder das Innere des Gerätes nicht ordentlich gereinigt wird. Dieses Problem können Sie vermeiden, wenn sie folgende Hinweise beachten:

- Halten Sie Ihren Kühlschrank/Gefrierschrank stets sauber. Lebensmittelreste, Verschmutzungen usw. können Gerüche verursachen. Reinigen Sie den Kühlschrank/ Gefrierschrank daher alle 15 Tage mit etwas in Wasser aufgelöstem Natron. Verzichten Sie grundsätzlich auf Reinigungsmittel und Seifen.
- Lagern Sie Lebensmittel in geschlossenen Behältern. Mikroorganismen, die aus unverschlossenen Behältern entweichen, können üble Gerüche verursachen.
- Nehmen Sie Lebensmittel mit abgelaufenem Mindesthaltbarkeitsdatum sowie verdorbene Lebensmittel gleich aus dem Kühlschrank/ Gefrierschrank.

Schutz der Kunststoffflächen

- C** Geben Sie keine Öle oder stark fetthaltige Speisen offen in Ihren Kühlschrank / Gefrierschrank – dadurch können die Kunststoffflächen angegriffen werden. Sollten die Plastikoberflächen einmal mit Öl in Berührung kommen, so reinigen Sie die entsprechend Stellen umgehend mit warmem Wasser.

7 Empfehlungen zur Problemlösung

Bitte arbeiten Sie diese Liste durch, bevor Sie den Kundendienst anrufen. Das kann Ihnen Zeit und Geld sparen. In der Liste finden Sie häufiger auftretende Probleme, die nicht auf Verarbeitungs- oder Materialfehler zurückzuführen sind. Nicht alle hier beschriebenen Funktionen sind bei jedem Modell verfügbar.

Der Kühlschrank / Gefrierschrank arbeitet nicht.

- Ist der Kühlschrank / Gefrierschrank richtig angeschlossen? Stecken Sie den Netzstecker in die Steckdose.
- Ist die entsprechende Haussicherung herausgesprungen oder durchgebrannt? Überprüfen Sie die Sicherung.

Kondensation an den Seitenwänden des Kühlbereiches. (Multizone, Kühlkontrolle und FlexiZone)

- Sehr geringe Umgebungstemperaturen. Häufiges Öffnen und Schließen der Tür. Sehr feuchte Umgebung. Offene Lagerung von feuchten Lebensmitteln. Tür nicht richtig geschlossen. Kühlere Thermostateinstellung wählen.
- Türen kürzer geöffnet halten oder seltener öffnen.
- Offene Behälter abdecken oder mit einem geeigneten Material einwickeln.
- Kondensation mit einem trockenen Tuch entfernen und überprüfen, ob diese erneut auftritt.

Der Kompressor läuft nicht

- Eine Schutzschaltung stoppt den Kompressor bei kurzzeitigen Unterbrechungen der Stromversorgung und wenn das Gerät zu oft und schnell ein- und ausgeschaltet wird, da der Druck des Kühlmittels eine Weile lang ausgeglichen werden muss. Ihr Kühlschrank / Gefrierschrank beginnt nach etwa sechs Minuten wieder zu arbeiten. Bitte wenden Sie sich an den Kundendienst, falls Ihr Kühlschrank / Gefrierschrank nach Ablauf dieser Zeit nicht wieder zu arbeiten beginnt.
- Der Kühlschrank / Gefrierschrank taut ab. Dies ist bei einem vollautomatisch abtauenden Kühlschrank / Gefrierschrank völlig normal. Das Gerät taut von Zeit zu Zeit ab.
- Der Netzstecker ist nicht eingesteckt. Überprüfen Sie, ob das Gerät richtig angeschlossen ist.
- Stimmen die Temperatureinstellungen?
- Eventuell ist der Strom ausgefallen.

Das Betriebsgeräusch nimmt zu, wenn der Kühlschrank / Gefrierschrank arbeitet.

- Das Leistungsverhalten des Kühlgerätes kann sich je nach Umgebungstemperatur ändern. Dies ist völlig normal und keine Fehlfunktion.

Der Kühlschrank / Gefrierschrank arbeitet sehr intensiv oder über eine sehr lange Zeit.

- Ihr neues Gerät ist vielleicht etwas breiter als sein Vorgänger. Dies ist völlig normal. Große Kühlgeräte arbeiten oft längere Zeit.
- Die Umgebungstemperatur ist eventuell sehr hoch. Dies ist völlig normal.
- Das Kühlgerät wurde möglicherweise erst vor kurzem in Betrieb genommen oder mit Lebensmitteln gefüllt. Es kann einige Stunden länger dauern, bis der Kühlschrank / Gefrierschrank seine Arbeitstemperatur erreicht hat.
- Kurz zuvor wurden größere Mengen warmer Speisen im Kühlschrank / Gefrierschrank eingelagert. Heiße Speisen führen dazu, dass der Kühlschrank / Gefrierschrank etwas länger arbeiten muss, bis die geeignete Temperatur zur sicheren Lagerung erreicht ist.
- Türen wurden häufig geöffnet oder längere Zeit nicht richtig geschlossen. Der Kühlschrank / Gefrierschrank muss länger arbeiten, weil warme Luft in den Innenraum eingedrungen ist. Öffnen Sie die Türen möglichst selten.
- Die Tür des Kühl- oder Tiefkühlbereichs war nur angelehnt. Vergewissern Sie sich, dass die Türen richtig geschlossen wurden.
- Die Kühlschrank / Gefrierschranktemperatur ist sehr niedrig eingestellt. Stellen Sie die Kühlschrank / Gefrierschranktemperatur höher ein und warten Sie, bis die gewünschte Temperatur erreicht ist.
- Die Türdichtungen von Kühl- oder Gefrierbereich sind verschmutzt, verschlissen, beschädigt oder sitzen nicht richtig. Reinigen oder ersetzen Sie die Dichtung. Beschädigte oder defekte Dichtungen führen dazu, dass der Kühlschrank / Gefrierschrank länger arbeiten muss, um die Temperatur halten zu können.

Die Temperatur im Tiefkühlbereich ist sehr niedrig, während die Temperatur im Kühlbereich normal ist.

- Die Tiefkühltemperatur ist sehr niedrig eingestellt. Stellen Sie die Gefrierfachtemperatur wärmer ein und prüfen Sie.

Die Temperatur im Kühlbereich ist sehr niedrig, während die Temperatur im Tiefkühlbereich normal ist.

- Die Kühltemperatur ist eventuell sehr niedrig eingestellt. Stellen Sie die Kühlbereichtemperatur wärmer ein und prüfen Sie.

Im Kühlbereich gelagerte Lebensmittel frieren ein.

- Die Kühltemperatur ist eventuell sehr niedrig eingestellt. Stellen Sie die Kühlbereichtemperatur wärmer ein und prüfen Sie.

Die Temperatur im Kühl- oder Tiefkühlbereich ist sehr hoch.

- Die Temperatur des Kühlbereichs ist eventuell sehr hoch eingestellt. Die Einstellung des Kühlbereichs beeinflusst die Temperatur im Tiefkühlbereich. Stellen Sie den Kühl- oder Tiefkühlbereich auf die gewünschte Temperatur ein.
- Türen wurden häufig geöffnet oder längere Zeit nicht richtig geschlossen; weniger häufig öffnen.
- Die Tür wurde eventuell nicht richtig geschlossen; Tür richtig schließen.
- Kurz zuvor wurden größere Mengen warmer Speisen im Kühlschrank / Gefrierschrank eingelagert. Warten Sie, bis der Kühl- oder Tiefkühlbereich die gewünschte Temperatur erreicht.
- Der Kühlschrank / Gefrierschrank war kurz zuvor von der Stromversorgung getrennt. Ihr Kühlschrank / Gefrierschrank braucht einige Zeit, um sich auf die gewünschte Temperatur abzukühlen.

Vibrationen oder Betriebsgeräusche.

- Der Boden ist nicht eben oder nicht fest. Der Kühlschrank / Gefrierschrank wackelt, wenn er etwas bewegt wird. Achten Sie darauf, dass der Boden eben ist und das Gewicht des Kühlschrank / Gefrierschranks problemlos tragen kann.
- Das Geräusch kann durch auf dem Kühlschrank / Gefrierschrank abgestellte Gegenstände entstehen. Nehmen Sie abgestellte Gegenstände vom Kühlschrank / Gefrierschrank herunter.

Fließ- oder Spritzgeräusche sind zu hören.

- Aus technischen Gründen bewegen sich Flüssigkeiten und Gase innerhalb des Gerätes. Dies ist völlig normal und keine Fehlfunktion.

Windähnliche Geräusche sind zu hören.

- Zum gleichmäßigen Kühlen werden Ventilatoren eingesetzt. Dies ist völlig normal und keine Fehlfunktion.

Condensation on the inner walls of refrigerator.

- Bei heißen und feuchten Wetterlagen tritt verstärkt Eisbildung und Kondensation auf. Dies ist völlig normal und keine Fehlfunktion.
- Die Türen wurden eventuell nicht richtig geschlossen; Türen komplett schließen.
- Türen wurden häufig geöffnet oder längere Zeit nicht richtig geschlossen; weniger häufig öffnen.

Feuchtigkeit sammelt sich an der Außenseite des Kühlschrank / Gefrierschranks oder an den Türen.

- Eventuell herrscht hohe Luftfeuchtigkeit; dies ist je nach Wetterlage völlig normal. Die Kondensation verschwindet, sobald die Feuchtigkeit abnimmt.

Unangenehmer Geruch im Kühlschrank / Gefrierschrankinnenraum.

- Das Innere des Kühlschranks / Gefrierschranks muss gereinigt werden. Reinigen Sie das Innere des Kühlschranks / Gefrierschranks mit einem Schwamm, den Sie mit lauwarmem oder kohlenensäurehaltigem Wasser angefeuchtet haben.
- Bestimmte Behälter oder Verpackungsmaterialien verursachen den Geruch. Verwenden Sie andere Behälter oder Verpackungsmaterial einer anderen Marke.

Die Tür wurde nicht richtig geschlossen.

- Lebensmittelpackungen verhindern eventuell das Schließen der Tür. Entfernen Sie die Verpackungen, welche die Tür blockieren.
- Der Kühlschrank / Gefrierschrank steht nicht mit sämtlichen Füßen fest auf dem Boden und schaukelt bei kleinen Bewegungen. Stellen Sie die Höheneinstellschrauben ein.
- Der Boden ist nicht eben oder nicht stabil genug. Achten Sie darauf, dass der Boden eben ist und das Gewicht des Kühlschranks / Gefrierschranks problemlos tragen kann.

Das Gemüsefach klemmt.

- Die Lebensmittel berühren eventuell den oberen Teil der Schublade. Ordnen Sie die Lebensmittel in der Schublade anders an.

Pirmiausiai perskaitykite šią naudojimo instrukciją!

Gerbiamas pirkėjas,

Mes tikimės, kad mūsų gaminys, kuris buvo sukurtas moderniose gamyklose ir kruopščiai patikrintas pagal griežtus kokybės kontrolės reikalavimus, veiksmingai ir ilgai jums tarnaus.

Prieš pradėdami naudoti šį gaminį, perskaitykite šią instrukciją ir išsaugokite ją, kad galėtumėte ja pasinaudoti ateityje. Jeigu atiduotumėte šį gaminį kam nors kitam, kartu atiduokite ir šią naudojimo instrukciją.

Naudojimo instrukcija padės jums greitai ir saugiai naudoti šį gaminį.

- Prieš sumontuodami ir pradėdami naudoti šį gaminį, perskaitykite šį vadovą.
- Būtinai perskaitykite saugos instrukciją.
- Laikykite šį vadovą lengvai pasiekiamoje vietoje, nes juo dar gali tekti pasinaudoti.
- Perskaitykite su šiuo gaminiu pateiktus dokumentus.

Atsiminkite, kad ši naudojimo instrukcija taip pat gali būti taikytina keletui kitų modelių. Šioje instrukcijoje nurodyta, kuo skiriasi įvairūs modeliai.

Simbolių paaiškinimas

Šiame vartotojo vadove naudojami šie simboliai:

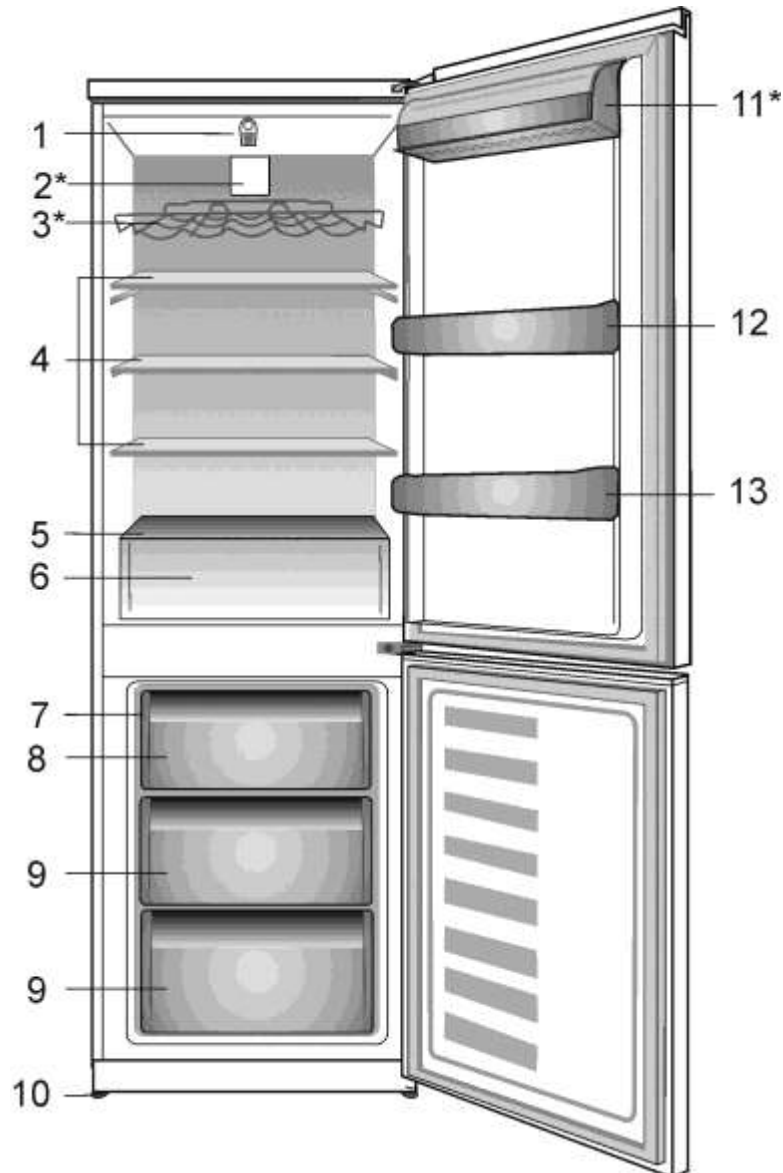
C Svarbi informacija arba naudingi patarimai.

A Įspėjimai apie pavojingas situacijas, keliančias pavojų gyvybei ir turtui.

B Įspėjimai apie elektros įtampą.

| | | | |
|---|----------|---|-----------|
| 1 Jūsų šaldytuvas | 4 | 4 Pasiruošimas | 12 |
| 2 Svarbūs įspėjimai dėl saugos | 5 | 5 Šaldytuvo naudojimas | 13 |
| Numatytoji naudojimo paskirtis | 5 | Termostato nustatymo mygtukas | 13 |
| Bendros saugos taisyklės..... | 5 | Atšildymas | 14 |
| Gaminams su vandens dalytuvu | 7 | Šviežių maisto produktų užšaldymas... 15 | |
| Apsauga nuo vaikų..... | 7 | Užšaldytų maisto produktų saugojimo rekomendacijos | 16 |
| WEEE Reglamento ir senų gaminių išmetimo taisyklių atitiktis | 7 | Patarimai, kaip naudoti šviežio maisto skyrių | 16 |
| Informacija apie pakuotę | 8 | Durų perstatymas | 17 |
| HCA įspėjimas..... | 8 | 6 Techninė priežiūra ir valymas | 18 |
| Kaip taupyti elektros energiją | 8 | Nemalonių kvapų vengimas | 18 |
| 3 Įrengimas | 9 | Plastikinių paviršių apsauga | 18 |
| Į ką reikia atkreipti dėmesį vežant šaldytuvą | 9 | 7 Triukčių šalinimas | 19 |
| Prieš įjungdami šaldytuvą, | 9 | | |
| Elektros prijungimas | 10 | | |
| Pakuotės išmetimas | 10 | | |
| Seno šaldytuvo išmetimas | 10 | | |
| Pastatymas ir įrengimas | 10 | | |
| Apšvietimo lempučių pakeitimas | 11 | | |
| Durelių atidarymo krypties pakeitimas.. | 11 | | |
| Kojelių reguliavimas..... | 11 | | |

1 Šaldytuvas



- | | |
|---|---|
| 1. Nustatymo rankenėlė ir vidinis apšvietimas | 9. Skyriai užšaldytiems maisto produktams laikyti |
| 2. Šviežių maisto produktų šaldymo ventiliatorius* | 10. Reguliuojama priekinė kojelė |
| 3. Atrama vyno buteliams* | 11. Pieno produktų skyrius* |
| 4. Pritaikomos šaldytuvo lentynos | 12. Lentynos stiklainiams |
| 5. Uždengiamos dėžutės dangtis | 13. Lentynos buteliams |
| 6. Uždengiamos dėžutės | |
| 7. Atrama ledo surinkimo lentynai ir ledo surinkimo lentyna | |
| 8. Greito užšaldymo skyrius | |

* Pasirinktinai

C Šiame eksploataavimo vadove pateikti paveikslėliai yra orientacinio pobūdžio; gali būti, kad jie tiksliai nevaizduoja jūsų turimo gaminio. Jei jūsų turimame gaminyje nėra aprašomų dalių, tai reiškia, jog tai taikoma kitiems modeliams.

2 Svarbūs įspėjimai dėl saugos

Prašome atidžiai perskaityti toliau pateiktą informaciją. Nepaisant šios informacijos, galima susižaloti arba padaryti žalos turtui. Tuomet nebegalios jokia garantija ir gamintojo įsipareigojimai.

Šis gaminys skirtas tarnauti 10 metų. Šiuo laikotarpiu galėsite įsigyti originalių atsarginių dalių šiam prietaisui tinkamai veikti.

Numatytoji naudojimo paskirtis

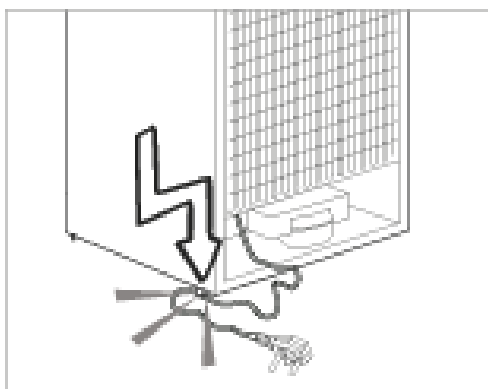
- Šis gaminys skirtas naudoti atalpose ir uždaroje vietoje, pavyzdžiui, namuose;
- uždaroje darbo aplinkoje, pavyzdžiui, parduotuvėse ir biuruose;
- uždaroje apgyvendinimo vietoje, pavyzdžiui, ūkininkų gyvenamuosiuose namuose, viešbučiuose, pensionuose.
- Nenaudokite jo lauke.

Bendri saugos reikalavimai

- Kai šį gaminį norėsite išmesti arba atiduoti į metalo laužą, rekomenduojama pasikonsultuoti su įgaliotomis tarnybomis ir institucijomis, kad sužinotumėte reikiamą informaciją.
- Jei kyla klausimų apie šaldytuvą arba atsiranda problemų, pasikonsultuokite su įgaliotais aptarnavimo specialistais. Šaldytuvo neardykite ir niekam neleiskite to daryti; tai galima daryti tik apie tai pranešus įgaliotiems aptarnavimo specialistams.
- Gaminiams su šaldiklio kamera; Ledų ir ledo kubelių nevalgykite vos juos išėmę į šaldiklio kameros! (Galite nušalti gerklę.)

- Gaminiams su šaldiklio kamera; Į šaldiklio kamerą nedėkite butelių ir skardinių su gėrimais. Antraip jie gali sprogti.
- Užšaldytų maisto produktų nelieskite rankomis – jie gali prilipti prie rankų.
- Prieš valydami arba atšildydami šaldytuvą, atjunkite jį nuo elektros tinklo.
- Šaldytuvui valyti ir šerkšniui šalinti negalima naudoti garų ir garinių valomųjų medžiagų. Garai gali pasiekti elektrines dalis ir sukelti trumpą jungimą arba elektros smūgį.
- Šaldytuvo dalių, pavyzdžiui, nuo spyrio apsaugančios plokštės arba durelių, nenaudokite kaip atramos ar laiptelio.
- Šaldytuvo viduje nenaudokite elektros prietaisų.
- Žiūrėkite, kad gręžimo ar pjovimo įrankiais nepažeistumėte dalių, kuriose cirkuliuoja aušinamasis skystis. Iš pradurtų garintuvo dujų kanalų, vamzdžių ilgintuvų arba paviršiaus dangų ištryškęs aušinamasis skystis gali suerzinti odą ir pažeisti akis.
- Jokiomis medžiagomis neuždenkite ir neužkimškite šaldytuvo ventiliacinių angų.
- Elektrinius prietaisus privalo taisyti tik įgaliotieji asmenys. Jei remontą vykdys nekompetentingi asmenys, naudotojui gali kilti pavojus.

- Įvykus trikdžiai, taip pat techninės priežiūros arba remonto metu šaldytuvui atjunkite elektros maitinimą – arba išsukite atitinkamą saugiklį, arba ištraukite prietaiso laido kištuką.
- Netraukite laikydami už laido – traukite laikydami už kištuko.
- Stiprius alkoholinius gėrimus stipriai užkimškite ir laikykite vertikaliaje padėtyje.
- Šaldytuve niekada nelaikykite flakonų su degiomis ir sprogiomis medžiagomis.
- Norėdami paspartinti atitirpinimo procesą, nenaudokite jokių mechaninių prietaisų ar kitų priemonių, išskyrus gamintojo rekomenduojamas.
- Šis prietaisas nėra skirtas naudoti asmenims (įskaitant vaikus) su fiziniiais, jutimo ar protiniais sutrikimais arba asmenims, kurie turi nepakankamai patirties ir žinių naudoti šį prietaisą, nebent juos tinkamai prižiūrėtų (arba nurodytų, kaip naudoti šį prietaisą) už jų saugą atsakingas asmuo.
- Nenaudokite sugedusio šaldytuvo. Jeigu dėl ko nors nerimaujate, pasikonsultuokite su techninio aptarnavimo specialistais.
- Šaldytuvo elektros sauga garantuojama tik tuo atveju, jei jūsų name įrengta įžeminimo sistema atitinka standartus.
- Gaminį statyti vietoje, neapsaugotoje nuo lietaus, sniego, saulės ir vėjo, pavojinga elektros saugos požiūriu.
- Jeigu maitinimo kabelis būtų pažeistas, susisieki su įgaliotuoju techninio aptarnavimo centru, kad išvengtumėte pavojaus.
- Įrengimo metu draudžiama šaldytuvo maitinimo laido kištuką įkišti į sieninį lizdą – galite žūti arba patirti rimtą traumą.
- Šis šaldytuvus skirtas tik maisto produktams laikyti. Prietaiso negalima naudoti kitai paskirčiai.
- Etiketė, kurioje nurodomi techniniai gaminio duomenys, pritvirtinta vidinėje kairėje šaldytuvo pusėje.
- Niekada nejunkite šio šaldytuvo į elektros energijos taupymo sistemas; jos gali sugadinti šaldytuvą.
- Jeigu šaldytuve įrengta mėlyna kontrolinė lemputė, nežiūrėkite į mėlyną šviesą pro optinius prietaisus.
- Jeigu naudojate rankiniu būdu valdomą šaldytuvą, nutrūkus elektros tiekimui, prieš vėl jį įjungdami, palaukite bent 5 minutes.
- Atidavus šį gaminį kitiems, naujam gaminio savininkui reikia atiduoti ir šią naudojimo instrukciją.
- Gabendami šaldytuvą, stenkitės nepažeisti maitinimo kabelio. Sulenktas kabelis gali sukelti gaisrą. Ant maitinimo kabelio niekada nestatykite sunkių daiktų.
- Jungdami gaminį į maitinimo tinklą, nelieskite kištuko drėgnomis rankomis.



- Nejunkite šaldytuvo, jeigu sieninis lizdas yra atsilaisvinęs.
- Saugumo sumetimais nepukškite vandens tiesiai ant vidinių arba išorinių šio gaminio dalių.

- Nepurškite šalia šaldytuvo degių medžiagų, pavyzdžiui, propano dujų ir pan., nes kyla gaisro ir sprogimo pavojus.
- Nestatykite ant šaldytuvo indų su vandeniu, nes jeigu vanduo išsilies, gali kilti elektros smūgis arba gaisras.
- Neprikraukite į šaldytuvą per daug maisto produktų. Pridėjus per daug maisto produktų, atidarant arba uždarant šaldytuvo duris, jie gali iškristi ir sužeisti.
- Niekada nestatykite ant šaldytuvo daiktų, nes atidarius arba uždarius šaldytuvo dureles, jie gali nukristi.
- Šaldytuve negalima laikyti medžiagų, kurioms saugoti reikia tikslios temperatūros, pavyzdžiui, vakcinų, temperatūrai jautrių vaistų, mokslinių tyrimų medžiagų ir pan.
- Jeigu šaldytuvo ilgai nenaudojate, būtinai atjunkite jį nuo maitinimo tinklo. Dėl galimo maitinimo kabelio pažeidimo gali kilti gaisras.
- Elektros kištuką reikia reguliariai valyti sausu skudurėliu, kitaip gali kilti gaisras.
- Jeigu reguliuojamos kojelės netvirtai remsis į grindis, šaldytuvą gali judėti. Pareguliuokite reguliuojamas kojeles, kad jos tinkamai remtųsi į grindis ir šaldytuvą nejudėtų.
- Nešdami šaldytuvą, nelaikykite jo už durų rankenos. Kitaip ji gali nulūžti.
- Jeigu šį gaminį reikia statyti prie kito šaldytuvo arba šaldiklio, tarp prietaisų būtina palikti bent 8 cm tarpą. Kitaip gretimoms šoninėms sienelėms gali pradėti rasoti.

Gaminams su vandens dalytuvu;

- Slėgis vandentiekio vamzdyje turi būti ne mažesnis nei 1 baras. Slėgis vandentiekio vamzdyje turi būti ne didesnis nei 8 barai.
- Naudokite tik geriamąjį vandenį.

Apsauga nuo vaikų

- Jeigu durelės rakinamos spyna, laikykite raktą vaikams nepasiekiamoje vietoje.
- Privaloma prižiūrėti mažus vaikus, kad jie nežaistų su šiuo buitiniu prietaisu.

WEEE Reglamento ir senų gaminių išmetimo taisyklių atitiktis



Ant prietaiso arba pakuotės esantis simbolis nurodo, kad su šiuo prietaisu negalima elgtis kaip su buitėmis šiukšlėmis. Jį reikia atiduoti į atitinkamą surinkimo punktą, kuriame elektros ir elektronikos prietaisai būtų perdirbtas. Tinkamai išmesdami šį gaminį, prisidėsite prie apsaugos nuo galimo neigiamo poveikio aplinkai ir žmonių sveikatai, kuris gali būti padarytas šį gaminį netinkamai išmetant. Dėl išsamesnės informacijos apie šio gaminio perdirbimą, prašom kreiptis į savo miesto valdžios instituciją, buitinių atliekų išvežimo tarnybą arba parduotuvę, kurioje pirkote šį prietaisą.

Informacija apie pakuotę

Šio gaminio pakavimo medžiagos pagamintos iš pakartotinai panaudojamų medžiagų, atsižvelgiant į mūsų nacionalinius aplinkosaugos reglamentus. Neišmeskite pakavimo medžiagų kartu su kitomis buitinėmis atliekomis arba kitomis šiukšlėmis. Išmeskite pakavimo medžiagas į tam skirtą vietos atliekų surinkimo punktą.

Nepamirškite...

Visų medžiagų perdirbimas turi didelės įtakos tausojant gamtos ir mūsų šalies išteklius.

Jei pakavimo medžiagas norite atiduoti perdirbti, kreipkitės į aplinkosaugos institucijas arba vietos valdžios įstaigas, kur jums bus suteikta daugiau informacijos.

HCA įspėjimas

Jeigu gaminyje įrengta aušinimo sistema, kurioje naudojama

R600a:

Šios dujos lengvai užsiliepsnoja. Todėl būkite atsargūs, kad eksploataavimo ir transportavimo metu nepažeistumėte aušinimo sistemos ir vamzdžių.

Pažeidimo atveju, saugokite gaminį nuo galimų liepsnos šaltinių, nuo kurių gaminys galėtų užsidegti, ir vėdinkite patalpą, kurioje stovi šis prietaisas.

Gaminyje naudojamų dujų rūšis nurodyta techninių gaminio duomenų etiketėje, kuri yra pritvirtinta vidinėje kairėje šaldytuvo pusėje.

Niekuomet nedeginkite šio gaminio.

Kaip taupyti elektros energiją

- Nelaikykite šaldytuvo durelių atidarytų ilgą laiką.
Į šaldytuvą nedėkite karšto maisto arba gėrimų.
- Į šaldytuvą nedėkite pernelyg daug maisto produktų, kad nebūtų kliudoma viduje cirkuliuoti orui.
- Šaldytuvo nestatykite vietoje, kur šviečia tiesioginiai saulės spinduliai arba arti šilumą skleidžiančių prietaisų, pavyzdžiui, orkaitių, indaplovių arba radiatorių. Šaldytuvą statykite bent 30 cm atstumu nuo šilumos šaltinių ir bent 5 cm atstumu nuo elektrinių viryklių.
- Maisto produktus laikykite uždaruose induose.
- Gaminiuose su šaldymo kamera; išėmę šaldiklio lentyną arba stalčių, šaldiklio kameroje galite laikyti maksimalų produktų kiekį. Paskelbtosios šaldytuvo energijos sąnaudos nustatytos išėmus šaldiklio kameros lentyną arba ištraukus stalčių ir sudėjus maksimalų leistiną produktų kiekį. Ant lentynos arba stalčiuje galima saugiai laikyti užšaldyti skirtus produktus, atsižvelgiant į jų formą ir dydį.
- Atšildant šaldytus maisto produktus šaldytuvo skyriuje, bus ir taupoma energija, ir išsaugoma maisto kokybė.

3 Įrengimas

B Nesivadovaujant šioje naudojimo instrukcijoje pateikta informacija, gamintojas neprisiima atsakomybės už jokią patirtą žalą.

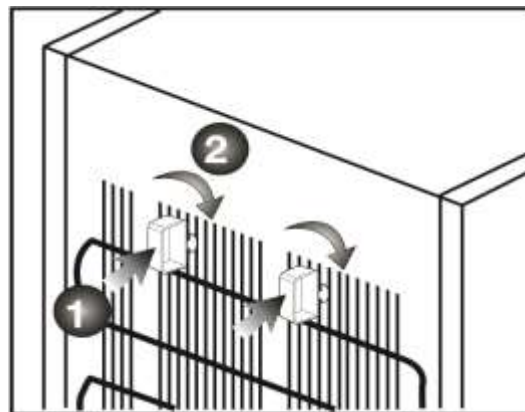
Į ką reikia atsižvelgti vežant šį šaldytuvą

1. Šaldytuvas privalo būti atjungtas nuo elektros tinklo. Prieš vežant šaldytuvą, jis turi būti ištuštintas ir išvalytas.
2. Prieš šaldytuvą supakuojant, jame esančias lentynas, papildomas dalis, daržovių stalčius ir kt. būtina pritvirtinti lipnia juosta, kad šios dalys nesikratytų. Pakuotės medžiagas būtina sutvirtinti storomis juostomis ir tvirtomis virvėmis; būtina paisyti ant pakuotės pateiktų transportavimo instrukcijų.
3. Originalias pakuotės medžiagas ir pustpalstį derėtų saugoti ateičiai, jei šaldytuvą prireiktų transportuoti arba perkelti.

Prieš įjungdami šaldytuvą

Prieš pradėdami naudoti šį šaldytuvą, patikrinkite toliau nurodytus dalykus:

1. Sumontuokite 2 plastikinius pleištus, kaip pavaizduota toliau. Plastikiniai pleištai skirti tarpui tarp šaldytuvo ir sienos sudaryti, kad būtų užtikrinta tinkama oro cirkuliacija. (Paveikslėlis tėra pavyzdys: Jūsų gaminys gali nuo jo skirtis.)



2. Vidų valykite vadovaudamiesi nurodymais, pateiktais skyriuje „Techninė priežiūra ir valymas“.
3. Įjunkite šaldytuvo kištuką į elektros lizdą. Atidarius šaldytuvo dureles, užsidega vidinio apšvietimo lemputė.
4. Įsijungus kompresoriui, bus girdimas garsas. Ar kompresorius veikia, ar ne, šaldytuvo sistemoje hermetiškai uždarytas skystis ir dujos taip pat gali kelti silpnus garsus – tai visiškai normalu.
5. Priekiniai šaldytuvo kraštai gali įšilti. Tai normalu. Šios vietos turi būti šiltos tam, kad nesusidarytų kondensacija.

Elektros prijungimas

Prijunkite gaminį prie įžeminto lizdo su tinkamos kategorijos saugikliu. Svarbu

Elektros prijungimą būtina atlikti atsižvelgiant į savo šalies reglamentus.

- Atlikus elektros instaliaciją, elektros kištukas turi būti lengvai pasiekiamas.
- Šaldytuvo elektros sauga garantuojama tik tuo atveju, jei jūsų name įrengta įžeminimo sistema atitinka standartus.
- Gaminio kairėje vidinėje pusėje esančioje etiketėje nurodyta įtampa privalo atitikti Jūsų namų elektros tinklo įtampą.
- **Prijungimui negalima naudoti ilginimo laidų ir skirstytuvų.**

Ⓑ Pažeistą maitinimo laidą privalo pakeisti kvalifikuotas elektrikas.

Ⓑ Negalima naudoti buitinio prietaiso, kol nebus pataisytas jo laidas! Kyla elektros smūgio pavojus!

Pakuotės išmetimas

Pakavimo medžiagos gali kelti pavojų vaikams. Laikykite pakavimo medžiagas vaikams nepasiekiamoje vietoje arba išmeskite jas, išrūšiuodami pagal atliekų rūšiavimo nurodymus, pateiktus vietos valdžios įstaigų. Neišmeskite kartu su įprastomis buitinėmis atliekomis – atiduokite į vietos valdžios įstaigų įrengtus pakuočių surinkimo punktus.

Šaldytuvo pakavimo medžiagos yra pagamintos iš pakartotinai panaudojamų medžiagų.

Seno šaldytuvo išmetimas

Seną šaldytuvą išmeskite taip, kad nebūtų daroma žala aplinkai.

- Kaip išmesti šį šaldytuvą, galite sužinoti iš savo įgaliotojo pardavimo atstovo arba savo savivaldybės atliekų surinkimo punkte.

Prieš išmesdami šaldytuvą, nupjaukite elektros kištuką ir, jei durys turi kokių nors užraktų, sugadinkite juos, kad nekiltų pavojų vaikams.

Pastatymas ir instaliacija

A Jei patalpos, kurioje bus įrengiamas šaldytuvas, įėjimas nėra pakankamai platus, kad pro jį būtų galima įnešti šaldytuvą, iškvieskite įgaliotus aptarnavimo darbuotojus, kad jie nuimtų šaldytuvo dureles ir jį pro įėjimą įneštų šonu.

1. Šaldytuvą įrenkite tokioje vietoje, kur jį būtų lengva eksploatuoti.
2. Šaldytuvą statykite atokiai nuo šilumos šaltinių, drėgnų vietų ir tiesioginių saulės spindulių.
3. Tam, kad šaldytuvas efektyviai veiktų, aplink jį turi būti tinkama oro ventiliacija. Jei šaldytuvą reikia statyti sienos nišoje, nuo šaldytuvo iki lubų ir iki sienų turi būti mažiausiai 5 cm tarpas. Nestatykite savo gaminio ant tokių medžiagų kaip kilimėliai ar kiliminė danga.
4. Tam, kad nekiltų vibracija, šaldytuvą statykite ant lygaus grindų paviršiaus.

Apšvietimo lempučių pakeitimas

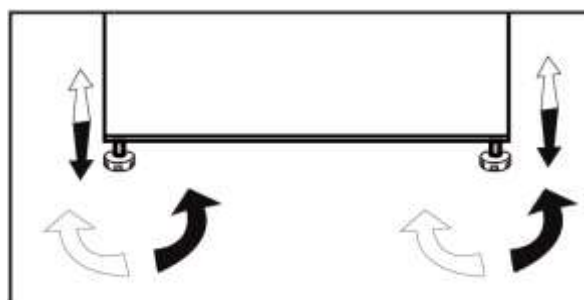
Jei reikia pakeisti šaldytuvo apšvietimo lempučių/šviesos diodą, kreipkitės į artimiausią įgaliojantį techninės priežiūros centrą.

Šajā ierīcē izmantotā lampa nav piemērota istabu apgaismojumam. Šīs lampas mērķis ir padarīt pārtikas produktu ievietošanu ledusskapī/saldētavā drošu un ērtu.

Šajā ierīcē izmantotajām lampām ir jāspēj funkcionēt ekstrēmās fiziskos apstākļos, piemēram, temperatūrā, kas nepārsniedz -20°C .

Kojeliņu regulēšana

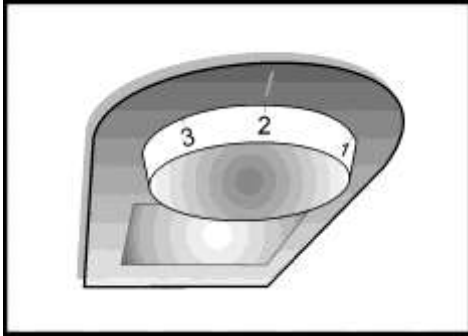
Jei šaldytuvas stovi nelygiai; jūs galite išlyginti sukdami priekines kojeles, kaip pavaizduota toliau esančiame paveikslėlyje. Kampas, kurioje yra kojelė, nuleidžiamas kojelę sukant juodos rodyklės kryptimi ir pakeliamas kojelę sukant priešinga kryptimi. Šį darbą atlikti bus lengviau, jei ką nors pasikviesite į pagalbą, kad šiek tiek kilstelėtų šaldytuvą.



4 Paruošimas

- Šaldytuvą reikia įrengti mažiausiai 30 cm atstumu nuo šilumos šaltinių, pavyzdžiui, viryklės viršaus, orkaičių, centrinio šildymo radiatorių bei viryklių, ir mažiausiai 5 cm atstumu nuo elektrinių orkaičių; nestatykite jo tiesioginiuose saulės spinduliuose.
- Rūpinkitės šaldytuvo vidaus švara.
- Jei du šaldytuvai įrengiami vienas šalia kito, tarp jų turi būti mažiausiai 2 cm atstumas.
- Pirmą kartą pradėję naudoti šaldytuvą, pirmąsias šešias valandas prašome laikytis tokių nurodymų.
- Nedarinėkite dažnai durelių.
- Šiuo periodu šaldytuve turi nebūti maisto produktų.
- Neatjunkite šaldytuvo nuo elektros tinklo. Jei nutrūktų elektros tiekimas, žr. skyriuje „Kokių veiksmų imtis prieš iškviečiant įgaliotus aptarnavimo specialistus“ pateiktus įspėjimus.
- Šis gaminys sukurtas veikti neaukštesnėje kaip 43 °C aplinkos temperatūroje.

5 Šaldytuvo naudojimas



Termostato nustatymo mygtukas

Šaldytuvo vidaus temperatūra pasikeičia dėl šių priežasčių:

- sezoninės temperatūros;
- ilgam laikui palikus atidarytas šaldytuvo duris;
- dedant maistą į šaldytuvą prieš tai neatvėsinus jo iki kambario temperatūros;
- dėl šaldytuvo vietos patalpoje (pvz., pastačius jį ten, kur jį veikia tiesioginiai saulės spinduliai).
- Galite pareguliuoti dėl tokių priežasčių pakitusią vidaus temperatūrą, naudodami termostatą. Aplink termostato rankenėlę esantys skaičiai parodo šaldymo laipsnius.
- Jeigu aplinkos temperatūra yra didesnė nei 32°C, nustatykite termostato rankenėlę į maksimalią padėtį.
- Jeigu aplinkos temperatūra yra žemesnė nei 25°C, nustatykite termostato rankenėlę į minimalią padėtį.

Atšildymas

A) Šaldytuvo skyrius

Šaldytuvo skyrius atšyla visiškai automatiškai. Šaldytuvui vėstant, ant vidinės galinės šaldytuvo skyriaus sienelės gali susidaryti vandens lašų ir 7-8 mm šerkšnas. Tai normalus aušinimo sistemos reiškinys. Susidaręs šerkšnas atšildomas automatinio atšildymo metu, kurį tam tikrais intervalais atlieka galinės sienelės atšildymo sistema. Vartotojui nereikia grandyti šerkšno arba surinkti varvantį vandenį. Vanduo, susidaręs atšildymo metu, teka vandens surinkimo grioveliu ir pro išleidimo vamzdelį suteka į garintuvą bei savaime išgaruoja. Reguliariai tikrinkite, ar išleidimo vamzdelis nėra užkištas ir, kai reikia, išvalykite jį, naudodami pagaliuką. Šaldiklio skyrius automatiškai neatšildomas, kad nesugestų jame laikomi užšaldyti maisto produktai.

B) Šaldiklio kamera

Atšaldymo procesas yra labai paprastas: naudojant ypatingą atšildyto vandens surinkimo indą, jis vyksta labai tvarkingai. Atšildykite šaldytuvą dukart per metus arba tuomet, kai susidarys maždaug 7 mm (1/4 col.) šerkšno sluoksnis. Norėdami pradėti atšildymo procesą, išjunkite buitinio prietaiso jungiklį ir ištraukite jo kištuką iš elektros lizdo. Visus maisto produktus suvyniokite į keletą laikraščio sluoksnių ir padėkite į vėsią vietą (pvz., į šaldytuvą arba sandėliuką). Norint pagreitinti atšildymo procesą, šaldiklyje galima atsargiai pastatyti indų su šiltu vandeniu. Užšalusiems lašeliams pašalinti nenaudokite smailių daiktų arba daiktų su aštriais galais, pvz., peilių arba šakučių. Atšildymui niekada nenaudokite plaukų džiovintuvų, elektrinių šildytuvų arba kitokių panašių elektrinių buitinių prietaisų. Šaldiklio skyriaus apačioje susikaupusį atšilusį vandenį sugerkite kempine. Atšildę kruopščiai nusauskite vidų. Įkiškite kištuką į sienoje esantį elektros lizdą ir įjunkite buitinio prietaiso jungiklį.

Šviežių maisto produktų užšaldymas

- Prieš dedant maisto produktus į šaldytuvą, rekomenduojama juos suvynioti arba uždengti.
 - Prieš dedant karštą maistą į šaldytuvą, jį reikia atvėsinti iki kambario temperatūros.
 - Maisto produktai, kuriuos norite užšaldyti, turi būti švieži ir geros kokybės.
 - Maisto produktus reikia padalyti porcijomis atsižvelgiant į šeimos suvartojimo per dieną normą arba valgio normą.
 - Maisto produktus būtina supakuoti į oro nepraleidžiančius paketus, kad jie neišdžiūtų, net jei jie bus laikomi trumpą laiką.
 - Pakavimo medžiagos turi būti neplyštančios ir atsparios šalčiui, drėgmei, nepraleisti kvapų, atsparios aliejams ir rūgštims, jos turi nepraleisti oro.
- Be to, jas turi būti įmanoma gerai užsandarinti, jos turi būti pagamintos iš lengvai naudojamų medžiagų, tinkamų naudoti su giliai užšaldytais produktais.
- Užšaldytus maisto produktus atšildžius, juos reikia iš karto suvartoti; jų negalima užšaldyti pakartotinai.
 - Norėdami pasiekti geriausių rezultatų, laikykitės šių instrukcijų.
1. Vienu metu neužšaldykite pernelyg didelio maisto kiekio. Maisto kokybė geriausiai išsaugojama tada, kai jis yra visas užšaldomas kaip įmanoma greičiau.
 2. Įdėjus šiltą maistą į šaldiklio kamerą, šaldymo sistema nepertraukiamai veikia tol, kol maistas visiškai užšaldomas.

- Prieš dedant karštą maistą ir gaiviuosius gėrimus į šaldytuvą, juos reikia atvėsinti iki kambario temperatūros.
- Daugiausiai maisto į šaldiklio skyrių sutalpinsite išėmę stalčių ir viršutinės lentynos dangtį, esantį šaldiklio skyriuje. Skelbiamos energijos sąnaudos buvo nustatytos visiškai užpildžius šaldiklio skyrių, nenaudojant stalčių ir viršutinės lentynos dangčio.
- Įvykus elektros tiekimo pertrūkiui, neatidarykite šaldiklio durelių. Net jei elektros tiekimas dingsta laikotarpiui, kuris trunka iki skyriuje „Šaldytuvo techniniai duomenys“ nurodyto „Temperatūros padidėjimo laiko“, užšaldytam maistui tai neturės įtakos. Jei pertrūkis trunka ilgiau, maisto produktus būtina patikrinti ir, jei būtina, juos reikia nedelsiant suvartoti arba juos išvirtus/iškepus užšaldyti.
 - Pirkdami maisto produktus atkreipkite dėmesį į galiojimo laiką, ilgiausią laikymo trukmę ir rekomenduojamą saugojimo temperatūrą. Jeigu galiojimo laikas pasibaigęs, jų nevertokite.

Užšaldytų maisto produktų saugojimo rekomendacijos

Parduotuvėje įsigytus iš anksto supakuotus užšaldytus maisto produktus reikia laikyti paisant užšaldytų maisto produktų gamintojo instrukcijų, taikomų laikymui *** ** *** (4 žvaigždučių) užšaldytų maisto produktų laikymo skyriuje.

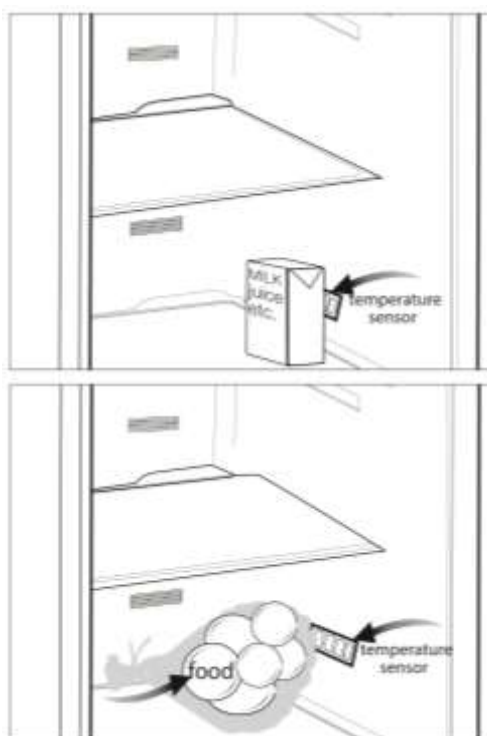
• Tam, kad būtų išsaugota užšaldytų maisto produktų gamintojo ir maisto produktų pardavėjo užtikrinama aukšta kokybė, reikia atminti tokius dalykus:

1. Nusipirtus paketus į šaldiklį reikia sudėti kuo skubiau.
2. Patikrinkite, ar ant produktų užklijuotos etiketės ir nurodyta data.
3. Būtina paisyti į ant pakuotės nurodytą „Suvartoti iki“ arba „Geriausias iki“ datą.

Patarimai, kaip naudoti šviežio maisto skyrių

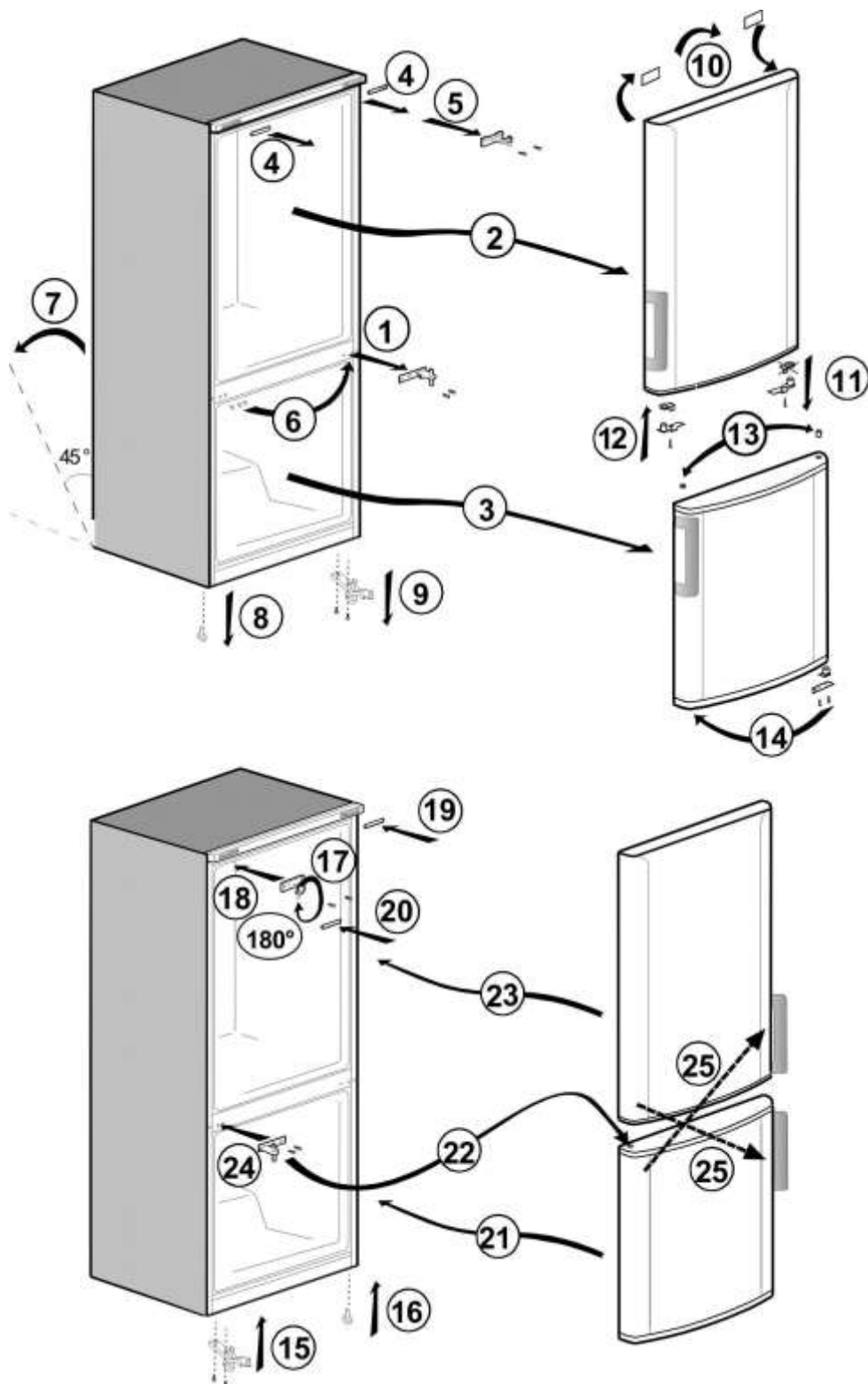
***pasirinktinai**

- Nedėkite maisto produktų į šviežio maisto skyrių prie temperatūros jutiklio. Maisto produktai neturi užstoti jutiklio, kad šviežio maisto skyriuje būtų palaikoma ideali temperatūra.
- Nedėkite į prietaisą karšto maisto.



Durų perstatymas

Veiksmus atlikite paeiliui pagal numerį



- A** Valymui niekada nenaudokite benzino, benzolo arba panašių medžiagų.
- B** Prieš valymą rekomenduojama išjungti buitinį prietaisą iš maitinimo tinklo.
- B** Valymui niekada nenaudokite aštrių abrazyvinių įrankių, muilo, buitinio valiklio, skalbimo priemonių ar vaško poliravimui.
- C** Buitinio prietaiso skyrių nuvalykite drungnu vandeniu, o po to sausai iššluostykite.
- C** Šaldytuvo vidui valyti naudokite drėgną nuspaustą skudurėlį, sudrėkintą tirpale, pagamintame ištirpinus vieną arbatinį šaukštelį sodos (bikarbonato) vienoje pintoje (0,57 litro) vandens; po to sausai iššluostykite.
- B** Žiūrėkite, kad į lemputės korpusą ir kitus elektros elementus nepatektų vandens.
- B** Jeigu ketinate ilgam nenaudoti buitinio prietaiso, išjunkite jį ir išimkite visą maistą, išvalykite jį ir palikite dureles pravertas.
- C** Reguliariai patikrinkite, ar durelių tarpikliai yra švarūs ir ant jų nėra maisto dalelių.
- A** Norėdami ištraukti durelių lentynas, išimkite visus daiktus ir po to paprasčiausiai patraukite durelių lentyną į viršų nuo pagrindo.
- A** Valydami išorinius prietaiso paviršius bei chromu padengtas dalis, niekada nenaudokite valymo medžiagų ar vandens su chloru. Chloras sukelia tokių metalinių paviršių koroziją.

Nemalonių kvapų vengimas

Mūsų šaldytuvuose nenaudojamos medžiagos, kurios gali skleisti kvapus. Visgi, jeigu maisto produktų saugojimo sąlygos yra netinkamos ir šaldytuvo vidiniai paviršiai nėra tinkamai valomi, gali atsirasti prastas kvapas. Kad išvengtumėte šios problemos, vadovaukitės šiais patarimais:

- Svarbu, kad šaldytuvas būtų švarūs. Prastus kvapus gali sukelti maisto likučiai, dėmės ir pan. Dėl to kas 15 dienų valykite šaldytuvą naudodami karbonato tirpalą. Niekada nenaudokite valiklių arba muilo.
 - Maisto produktus laikykite uždaruose induose.
- Iš neuždengtų indų pasklidę mikroorganizmai gali sukelti nemalonus kvapus.
- Išimkite iš šaldytuvo sugedusius produktus arba produktus, kurių galiojimo laikas yra pasibaigęs.

Plastikinių paviršių apsauga

C Į šaldytuvą nedėkite skysto aliejaus ar aliejuje virto maisto neuždarytuose induose, nes tokie produktai pažeis šaldytuvo plastikinius paviršius. Jei aliejus išsilieja ant plastikinių paviršių arba juos sutepa, užterštą vietą iš karto nuvalykite ir nuplaukite šiltu vandeniu.

7 Trikčių šalinimas

Prieš kreipdamiesi į techninio aptarnavimo tarnybą, peržiūrėkite šį sąrašą. Šaldytuvas taupys ir laiką, ir pinigus. Šiame sąrašė pateikiamos dažniausiai pasitaikančios problemos, kurios nėra susijusios su pagaminimo arba naudojamų medžiagų broku. Kai

| |
|---|
| Šaldytuvas neveikia. |
| <ul style="list-style-type: none">• Netinkamai į elektros lizdą įkištas kištukas. >>>Tvirtai įkiškite kištuką į elektros lizdą.• Perdegė lizdo, į kurį yra įjungtas šaldytuvas, saugiklis arba maitinimo tinklo saugiklis. >>>Patikrinkite saugiklį. |
| Kondensacija ant šaldytuvo (skyrių MULTIZONE, COOL CONTROL ir FLEXI ZONE) šoninių sienų. |
| <ul style="list-style-type: none">• Šaltas aplinkos oras. >>>Neįrenkite šaldytuvo ten, kur temperatūra būna žemesnė nei 10 °C.• Durelės buvo pernelyg dažnai darinėjamos. >>>Nedarinėkite šaldytuvo durelių dažnai, jeigu tai nėra būtina.• Drėgnas aplinkos oras. >>>Neįrenkite šaldytuvo drėgnoje patalpoje.• Atviruose induose laikomi skysti maisto produktai. >>>Nelaikykite skystų maisto produktų atviruose induose.• Neuždarytos šaldytuvo durelės. >>>Uždarykite šaldytuvo dureles.• Termostatas nustatytas ties labai žemos temperatūros nuostata. >>>Nustatykite termostatą ties tinkamu šaldymo lygiu. |
| Neveikia kompresorius. |
| <ul style="list-style-type: none">• Įvykus staigiam energijos tiekimo pertrūkiui, iššoks kompresoriaus terminis saugiklis, arba, jei šaldytuvo slėgis aušinamojoje sistemoje nesubalansuotas, įsijungia išjungiklis. Šaldytuvas pradės veikti maždaug po 6 minučių. Jei praėjus šiam periodui šaldytuvas neįsijungia, kreipkitės į aptarnavimo tarnybą.• Vyksta šaldytuvo atšildymo ciklas. >>>Tai normalus visiškai automatinio atšildymo šaldytuvo veikimas. Atšildymo ciklas vyksta periodiškai.• Šaldytuvo laido kištukas neįkištas į lizdą. >>>Patikrinkite, ar kištukas gerai įkištas į lizdą.• Netinkamai nustatyta temperatūra. >>>Pasirinkite tinkamą temperatūros vertę.• Nutrūko elektros tiekimas. >>>Atsiradus elektrai, šaldytuvas vėl veikia įprastu režimu. |
| Šaldytuvui pradėjus veikti, jis veikia triukšmingai. |
| <ul style="list-style-type: none">• Šio šaldytuvo darbo našumo savybės gali kisti, atsižvelgiant į aplinkos temperatūros pokyčius. Tai normalu ir nėra gedimas. |

Šaldytuvas dažnai įsijungia arba ilgą laiką veikia.

- Galbūt naujas gaminytis platesnis už ankstesnįjį. Didesni šaldytuvai veikia ilgesnį laiką.
- Galbūt patalpoje yra aukšta temperatūra. >>>Esant karštam aplinkos orui, gaminytis gali veikti ilgiau nei įprastai.
- Galbūt šaldytuvas neseniai prijungtas arba į jį neseniai sudėta maisto produktų.>>>Jeigu šaldytuvas buvo neseniai prijungtas prie elektros tinklo arba į jį neseniai buvo pridėta maisto, nustatyta temperatūrai pasiekti gali prireikti daugiau laiko. Tai normalu.
- Galbūt į šaldytuvą neseniai įdėta daug karštų maisto produktų. >>>Į šaldytuvą nedėkite karštų maisto produktų.
- Galbūt buvo dažnai atidarinėjamos durelės arba jos buvo ilgą laiką paliktos atidarytos. >>>Į šaldytuvą pateko šilto oro, todėl šaldytuvas ilgiau veikia. • Dažnai neatidarinėkite durelių.
- Gali būti, kad šaldiklio arba šaldytuvo skyriaus durelės buvo paliktos atidarytos. >>>Patikrinkite, ar gerai uždarėte dureles.
- Šaldytuve nustatyta labai žema temperatūra. >>>Nustatykite aukštesnę šaldytuvo temperatūrą ir palaukite, kol ši temperatūra bus pasiekta.
- Gali būti, kad užsiteršė, susidėvėjo, buvo pažeistas arba blogai priglunda šaldytuvo arba šaldiklio durelių tarpiklis. >>>Tarpiklį nuvalykite arba pakeiskite. Dėl pažeisto tarpiklio šaldytuvas ilgiau veikia, kad būtų palaikoma esama temperatūra.

Šaldiklio temperatūra labai žema, tačiau šaldytuvo skyriaus temperatūra normali.

- Šaldiklyje nustatyta labai žema vertė. >>>Nustatykite aukštesnę šaldiklio temperatūrą ir patikrinkite.

Šaldytuvo temperatūra labai žema, tačiau šaldiklio skyriaus temperatūra normali.

- Šaldytuve nustatyta labai žema temperatūros vertė. >>>Nustatykite aukštesnę šaldytuvo temperatūrą ir patikrinkite.

Šaldytuvo skyriaus stalčiuose laikomi maisto produktai sušąla.

- Šaldytuve nustatyta labai aukšta vertė. >>>Nustatykite žemesnę šaldytuvo temperatūros vertę ir patikrinkite.

Temperatūra šaldytuve arba šaldiklyje labai aukšta.

- Šaldytuve nustatyta labai aukšta vertė. >>>Šaldytuvo skyriaus temperatūros nuostata daro poveikį šaldiklio temperatūrai. Nustatykite reikiamas šaldytuvo arba šaldiklio temperatūros vertes ir palaukite, kol bus pasiekta tinkama temperatūra.
- Galbūt buvo dažnai atidarinėjamos durelės arba jos buvo ilgą laiką paliktos atidarytos. >>>Dažnai neatidarinėkite durelių.
- Neuždarytos durelės. >>>Dureles gerai uždarykite.
- Šaldytuvas buvo neseniai prijungtas prie elektros tinklo arba į jį neseniai buvo pridėta maisto. >>>Tai normalu. Jeigu šaldytuvas buvo neseniai prijungtas prie elektros tinklo arba į jį neseniai buvo pridėta maisto, nustatyta temperatūrai pasiekti gali prireikti daugiau laiko.
- Galbūt į šaldytuvą neseniai įdėta daug karštų maisto produktų. >>>Į šaldytuvą nedėkite karštų maisto produktų.

Vibracija arba triukšmas.

- Nelygios arba netvirtos grindys. >>> Šaldytuvą lėtai judinamas linguoja; išlyginkite jį, sureguliuodami kojeles. Grindys būtinai turi būti lygios ir pakankamai tvirtos, kad išlaikytų šaldytuvą.
- Ant šaldytuvo sudėti daiktai gali kelti triukšmą. >>>Nuimkite nuo šaldytuvo visus daiktus.

Iš šaldytuvo sklinda garsai, panašūs į skysčio tekėjimą, purškimą ir pan.

- Šaldytuvą veikia jo viduje cirkuliuojant skysčio ir dujų srautams. Tai normalu ir nėra gedimas.

Šaldytuvą kelia švilpesio garsą.

- Norint, kad šaldytuvą šaldytų, jame naudojami ventiliatoriai. Tai normalu ir nėra gedimas.

Kondensacija ant vidinių šaldytuvo sienų.

- Apledėjimas ir kondensacija didėja esant karštam ir drėgnam orui. Tai normalu ir nėra gedimas.
- Galbūt buvo dažnai atidarinėjamos durelės arba jos buvo ilgą laiką paliktos atidarytos. >>>Dažnai neatidarinėkite durelių. Uždarykite dureles, jeigu jos yra praviros.
- Neuždarytos durelės. >>>Dureles gerai uždarykite.

Ant šaldytuvo išorės arba tarp durelių susidaro drėgmės.

- Oras gali būti labai drėgnas; esant drėgnam orui, tai visiškai normalu. Sumažėjus drėgnumui, kondensacija nesusidarys.

Šaldytuve sklinda prastas kvapas.

- Prietaisas nebuvo reguliariai valomas. >>>Šaldytuvo vidų reguliariai išvalykite naudodami kempinę, šiltą arba prisotintą angliarūgštės vandenį.
- Gali būti, kad kvapą išskiria kai kurie indai arba pakuotės medžiagos. >>>Naudokite kitą indą arba kitokios rūšies pakavimo medžiagą.
- Į šaldytuvą pridėta maisto neuždengtose induose. >>>Maisto produktus laikykite uždaruose induose. Iš neuždengtų indų pasklidę mikroorganizmai gali sukelti nemalonius kvapus.
- Išimkite iš šaldytuvo sugedusius produktus arba produktus, kurių galiojimo data yra pasibaigusi.

Durelės neužsidaro.

- Galbūt durelių neleidžia uždaryti maisto produktų pakuotės. >>>Pakuotes, kurios trukdo durelėms užsidaryti, padėkite į kitą vietą.
- Šaldytuvą nelygiai stovi ant grindų. >>>Sureguliuokite kojeles, kad šaldytuvą stovėtų lygiai.
- Nelygios arba netvirtos grindys. >>>Grindys turi būti lygios ir pakankamai tvirtos, kad išlaikytų šaldytuvą.

Užstringa stalčiai.

- Galbūt maisto produktai liečia stalčiaus viršų. >>>Pertvarkykite stalčiuje esančius maisto produktus.

Lūdzu, vispirms izlasiet šo lietošanas rokasgrāmatu!

Cienījamais pircēj!

Ceram, ka jūsu produkts, kas ražots modernās rūpnīcās un pārbaudīts ļoti pedantiskas kvalitātes kontroles procedūras laikā, nodrošinās efektīvu darbību.

Tādēļ pirms šīs iekārtas izmantošanas rūpīgi izlasiet visu lietošanas rokasgrāmatu un saglabāiet to lietošanai arī nākotnē. Ja atdosiet šo iekārtu kādam citam, pievienojiet tai arī šo lietošanas rokasgrāmatu.

Lietošanas rokasgrāmata palīdzēs jums ātri un droši izmantot šo iekārtu.

- Izlasiet šo rokasgrāmatu pirms produkta uzstādīšanas un izmantošanas.
- Atcerieties izlasīt drošības norādījumus.
- Turiet šo rokasgrāmatu viegli pieejamā vietā, jo tā var būt nepieciešama vēlāk.
- Izlasiet citus kopā ar iekārtu saņemtos dokumentus.

Atcerieties, ka šī lietošanas rokasgrāmata var attiekties arī uz vairākiem citiem modeļiem. Šajā rokasgrāmatā būs norādītas atšķirības starp modeļiem.

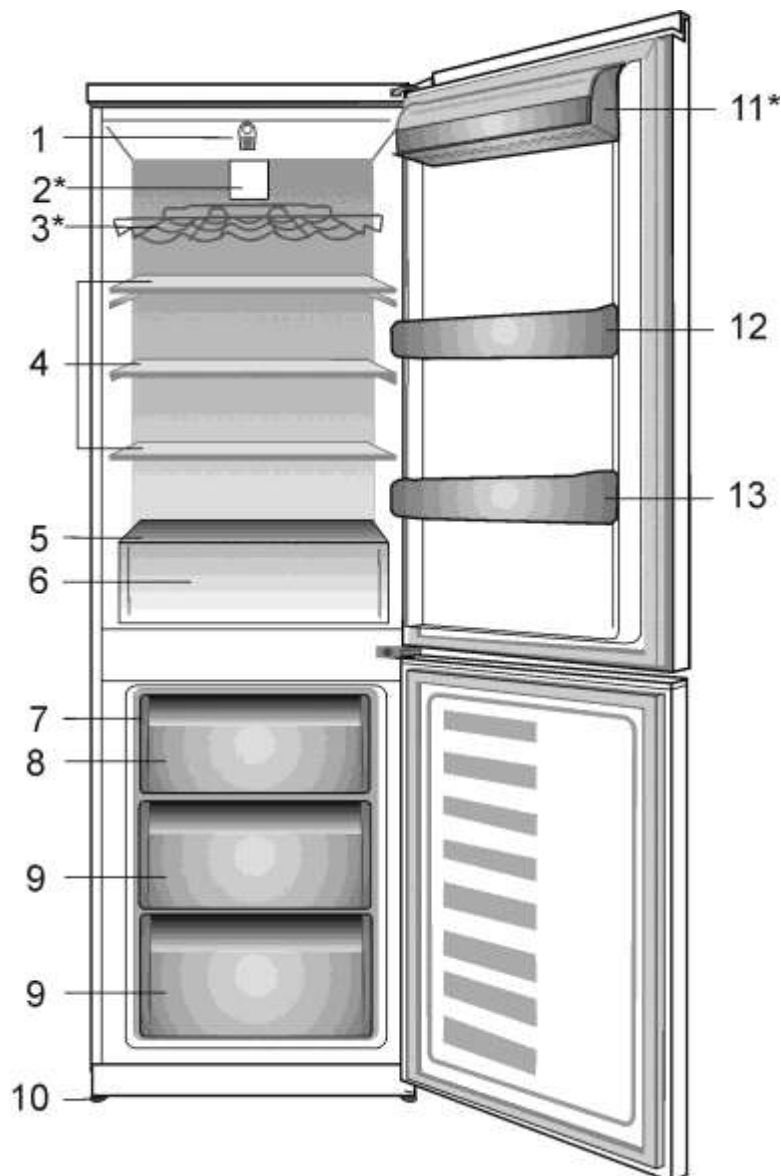
Simbolu paskaidrojums

Šajā lietošanas rokasgrāmatā ir izmantoti tālāk norādītie simboli.

- C Svarīga informācija vai noderīgi padomi.
- A Brīdinājums par dzīvībai un īpašumam bīstamiem apstākļiem.
- B Brīdinājums par elektrisko spriegumu.

| | | | |
|--|----------|---|-----------|
| 1. Jūsu ledusskapis | 3 | 4. Sagatavoša | 11 |
| 2. Svarīgi brīdinājumi par drošību | 4 | 5. Ledusskapja izmantošana | 12 |
| Paredzētā lietošana | 4 | Termostata iestatīšanas poga | 12 |
| Vispārējā drošība | 4 | Atlaidināšana | 13 |
| Piezīme par iekārtām ar ūdens automātu | 6 | Svaigas pārtikas sasaldēšana | 14 |
| Bērnu drošība | 6 | Ieteikumi par sasaldētas pārtikas uzglabāšanu | 15 |
| Atbilstība WEEE regulai un atbrīvošanās no atkritumiem | 6 | Ieteikumi par svaigās pārtikas nodalījuma izmantošanu | 15 |
| Informācija par iepakojumu | 7 | Durvju ievietošana otrādi | 16 |
| Brīdinājums par HCA | 7 | 6. Apkope un tīrīšana | 17 |
| Kas darāms, lai ietaupītu enerģiju | 7 | Nepatīkamu smaku veidošanās novēršana | 17 |
| 3. Uzstādīšana | 8 | Plastmasas virsmu aizsargāšana | 17 |
| Lietas, kurām jāpievērš uzmanība ledusskapja pārvietošanas laikā | 8 | 7. Problēmu novēršana | 18 |
| Pirms ledusskapja ieslēgšanas | 8 | | |
| Pievienošana elektrotīklam | 9 | | |
| Atbrīvošanās no iepakojuma | 9 | | |
| Atbrīvošanās no vecā ledusskapja | 9 | | |
| Novietošana un uzstādīšana | 9 | | |
| Apgaismojuma lampas nomaiņa | 9 | | |
| Kājiņu noregulēšana | 9 | | |

1 Jūsu ledusskapis



- | | |
|--|----------------------------------|
| 1. Temperatūras regulatorts un lampa | 10. Regulējamas priekšējās kājas |
| 2. Svaigās pārtikas nodalījuma ventilators | 11. Piena produktu nodalījums |
| 3. Vīna pudeļu balsts | 12. Burku plaukti |
| 4. Regulējami korpusa plaukti | 13. Pudeļu plaukts |
| 5. Atvilktnes | |
| 6. Nodalījums ātrai sasaldēšanai | |
| 7. Ledus paplātes balsts un ledus paplāte | |
| 8. Ātrās sasaldēšanas nodalījums | |
| 9. Saldētās pārtikas nodalījums | |

* Izvēles iespēja

C Attēli, kas ietverti šajā instrukciju rokasgrāmatā, ir shēma veidīgi un var tieši neatbilst jūsu modelim. Ja attiecīgās daļas nav iekļautas jūsu iegādātās iekārtas komplektācijā, tad tās attiecas uz citiem modeļiem.

2 Svarīgi brīdinājumi par drošību

Lūdzu, iepazīstieties ar šo informāciju. Šīs informācijas neievērošana var kļūt par cēloni traumām vai materiālajiem bojājumiem.

Tā rezultātā visas garantijas un saistības par iekārtas drošību zaudēs spēku.

Šīs iekārtas kalpošanas laiks ir 10 gadi. Visu šo laiku būs pieejamas oriģinālās rezerves daļas iekārtas pareizas darbības nodrošināšanai.

Paredzētā lietošana

- Šī iekārta ir paredzēta lietošanai iekštelpās un norobežotās vietās, piemēram, mājās;
- slēgtā darba vidē, piemēram, veikalos un birojos;
- norobežotās dzīvojamajās zonās, piemēram, fermās, viesnīcās un pansijās.
- To nevajadzētu izmantot ārpus telpām.

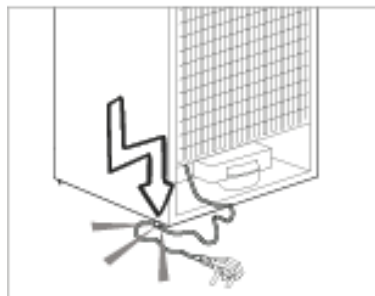
Vispārējā drošība

- Ja vēlaties atbrīvoties no produkta vai pārstrādāt to, mēs iesakām konsultēties ar pilnvarotu pakalpojuma sniedzēju, lai uzzinātu nepieciešamo informāciju un atrastu pilnvarotās organizācijas.
- Sazinieties ar pilnvarotu apkalpošanas centru par visiem jautājumiem un problēmām, kas saistītas ar ledusskapi. Neveiciet ledusskapja remontu vai pārveidošanu un neļaujiet to darīt citiem, neinformējot pilnvarotus pakalpojuma sniedzējus.
- Piezīme par iekārtām ar saldēšanas kameru: neēdiet saldējumu un ledus gabaliņus tūlīt pēc izņemšanas no saldēšanas kameras! (Tas var izraisīt mutes apsaldēšanu.)

- Piezīme par iekārtām ar saldēšanas kameru: neievietojiet šķidrus, pudelēs vai skārdenēs esošus dzērienus saldēšanas kamerā. Tie var saplīst.
- Nepieskarieties saldētajam ēdienam ar rokām; tas var pielipt pie rokām.
- Pirms atļaidināšanas vai tīrīšanas atvienojiet ledusskapi no barošanas avota.
- Ledusskapja tīrīšanas un atļaidināšanas laikā neizmantojiet tvaikus un izgarojošus tīrīšanas līdzekļus. Šādos gadījumos garaiņi var piekļūt elektriskajām daļām un radīt īssavienojumu vai elektriskās strāvas triecienu.
- Nekad neizmantojiet ledusskapja daļas, teiksim, durvis, kā atbalsta līdzekli vai pakāpienu.
- Nekad neizmantojiet elektriskas iekārtas, ievietojot tās ledusskapī.
- Neurbiet un nezāģējiet daļas, kurās cirkulē dzesēšanas šķidrums. Dzesēšanas šķidrums, kas var izplūst, kad iztvaices aparāta gāzes kanāli, cauruļvadu pagarinājumi vai virsmas apvalki tiek pārplēsti, izraisa ādas iekaisumus un acu traumas.
- Neaizklājiet un nebloķējiet ar kaut kādu materiālu ledusskapja ventilācijas atveres.
- Elektroiekārtu remontu drīkst veikt tikai pilnvarotas personas. Labošana, ko veikušas nekompetentas personas, rada risku lietotājam.

- Bojājuma gadījumā vai apkopes un labošanas darbu laikā atvienojiet ledusskapja strāvas padevi, atslēdzot attiecīgo drošinātāju vai atvienojot spraudkontakta no elektrotīkla kontaktozes.
- Izraujot spraudkontakta, neraujiet aiz kabeļa.
- Stipros dzērienus turiet cieši noslēgtus un vertikāli.
- Nekādā gadījumā neglabājiet ledusskapī aerosolus, kuru sastāvā ir viegli uzliesmojošas un sprādzienbīstamas vielas.
- Neizmantojiet mehāniskas ierīces vai citus līdzekļus, lai paātrinātu atlaidināšanas procesu, ja vien tos nav ieteicis ražotājs.
- Šī iekārta nav paredzēta, lai to izmantotu personas ar pasliktinātām fiziskajām, garīgajām un uztveres spējām vai cilvēki bez pieredzes un zināšanām (tostarp bērni), ja vien viņus neuzrauga persona, kas ir atbildīga par viņu drošību vai sniedz norādījumus par iekārtas izmantošanu.
- Neizmantojiet bojātu ledusskapi. Ja jums rodas kaut kādas bažas, sazinieties ar apkalpošanas pārstāvi.
- Ledusskapja elektriskā drošība var tikt garantēta tikai tad, ja iezemējuma sistēma jūsu mājā atbilst standartiem.
- Iekārtas pakļaušana lietus, sniega, saules un vēja iedarbībai ir bīstama, jo rada risku elektriskajai drošībai.
- Ja spēka kabelis ir bojāts, lai izvairītos no briesmām, sazinieties ar pilnvarotu apkalpošanas centru.
- Uzstādīšanas laikā nekad neievietojiet ledusskapja spraudkontakta sienas kontaktligzdā. Pretējā gadījumā var rasties nāves draudu vai nopietnu ievainojumu risks.

- Šis ledusskapis ir paredzēts tikai pārtikas uzglabāšanai. To nevajadzētu izmantot nekādam citam mērķim.
- Uzlīme ar izstrādājuma tehniskajiem datiem atrodas ledusskapja iekšpusē pa kreisi.
- Nekādā gadījumā nepievienojiet ledusskapi pie elektrības taupīšanas sistēmas, jo tas var sabojāt ledusskapi.
- Ja ledusskapim ir zils gaismas indikators, neskatieties uz to caur optiskām ierīcēm.
- Ja ledusskapji ir manuāli vadāmi, tad pirms to pārstartēšanas pēc elektropadeves traucējumiem ir jāpagaida vismaz 5 minūtes.
- Ja ledusskapis tiek atdots kādam citam, arī šī lietošanas rokasgrāmata ir jāatdod jaunajam īpašniekam.
- Ledusskapja transportēšanas laikā izvairieties no bojājumu nodarīšanas spēka kabelim. Kabeļa saliekšana var izraisīt ugunsgrēku. Nekādā gadījumā nelieciet uz spēka kabeļa smagus priekšmetus.
- Pievienojot iekārtu barošanas avotam, nepieskarieties spraudkontakta ar slāpām rokām.



- Nepievienojiet ledusskapi vaļņgai sienas kontaktligzdai.
- Drošības apsvērumu dēļ izvairieties no ledusskapja iekšējo un ārējo daļu apšļakstīšanas ar ūdeni.

- Lai izvairītos no ugunsgrēka un sprādziena riska, ledusskapja tuvumā neizsmidziniet vielas, kuru sastāvā ir viegli uzliesmojošas gāzes, piemēram, propāna gāze.
- Nekādā gadījumā nelieciet uz ledusskapja virsmas traukus ar ūdeni, jo tas var izraisīt elektriskās strāvas triecienu vai ugunsgrēku.
- Nepārslogojiet ledusskapi ar pārāk lielu pārtikas daudzumu. Ja ledusskapis ir pārāk pilns, tad, atverot durvis, pārtika var izkrist no ledusskapja, radot kaitējumu jums vai iekārtai.
- Nekādā gadījumā nelieciet priekšmetus uz ledusskapja virsmas, jo ledusskapja durvju atvēršanas vai aizvēršanas laikā tie var nokrist.
- Ledusskapī nedrīkst turēt vakcīnas, temperatūras jutīgus medikamentus un zinātniskiem pētījumiem paredzētus materiālus, jo tiem ir nepieciešama noteikta uzglabāšanas temperatūra.
- Ja ledusskapis netiks ilgstoši izmantots, tas jāatvieno no barošanas avota. Spēka kabeļa bojājuma gadījumā var sākties ugunsgrēks.
- Kontaktspraudņa gals ir regulāri jātīra ar sausu drāniņu. Ja to nedarīsiet, tas var kļūt par ugunsgrēka cēloni.
- Ja regulējamās kājiņas nav pareizi nostiprinātas uz grīdas, tad ledusskapis var kustēties. Regulējamo kājiņu pareiza nostiprināšana uz grīdas var novērst ledusskapja kustēšanos.
- Nesot ledusskapi, neturiet to aiz durvju roktura. Pretējā gadījumā tas var nolūzt.
- Novietojot iekārtu līdzās citam ledusskapim vai saldētavai, starp šīm iekārtām ir jābūt vismaz 8 cm attālumam. Pretējā gadījumā uz līdzās esošajām sienām var kondensēties mitrums.

Informācija par iekārtām ar ūdens automātu

Ūdensvada minimālais spiediens drīkst būt 1 bārs. Ūdensvada maksimālais spiediens nedrīkst pārsniegt 8 bārus.


- Izmantojiet tikai dzeramo ūdeni.

Bērnu drošība

- Ja durvis ir slēdzamas, tad atslēga jāglabā bērniem nepieejamā vietā.
- Jāuzrauga, lai bērni nerotaļātos ar iekārtu.

Atbilstība WEEE regulai un atbrīvošanās no atkritumiem



Simbols  uz produkta vai tā iepakojuma norāda, ka no šī produkta nedrīkst atbrīvoties kopā ar mājsaimniecības atkritumiem. Šis produkts jānogādā attiecīgajā savākšanas punktā, kurā tiek pieņemtas elektriskās un elektroniskās iekārtas otrreizējai izejvielu pārstrādei. Pareizi atbrīvojoties no šī produkta, jūs palīdzēsiet novērst tā potenciālo negatīvo ietekmi uz vidi un cilvēku veselību, kas var rasties tad, ja neatbrīvosities no šī produkta pareizā veidā. Lai saņemtu sīkāku informāciju par šī produkta otrreizējo pārstrādāšanu, lūdzu, sazinieties ar savu vietējo pilsētas biroju, savu mājsaimniecības atkritumu savākšanas dienestu vai veikalu, kurā jūs šo produktu iegādājāties.

Informācija par iepakojumu

Iekārtas iepakojums ir izgatavots no otrreizēji pārstrādājamiem materiāliem atbilstoši mūsu valsts vides aizsardzības noteikumiem. Neizmetiet iepakojuma materiālus kopā ar mājsaimniecības vai citiem atkritumiem. Nogādājiet tos vietējo pašvaldību norādītajās iepakojuma materiālu savākšanas vietās.

Neaizmirstiet...

Ikviens pārstrādātais materiāls ir nepieciešams dabai un mūsu nacionālajiem resursiem.

Ja vēlaties sniegt savu ieguldījumu iepakojuma materiālu atkārtotā novērtēšanā, varat konsultēties ar vides aizsardzības organizācijām vai vietējām varas iestādēm savā dzīvesvietā.

Brīdinājums par HCA

Ja iekārtas dzesēšanas sistēma satur R600a

Šī gāze ir viegli uzliesmojoša, Tādēļ pievērsiet uzmanību tam, lai izmantošanas un transportēšanas laikā dzesēšanas sistēma un cauruļvadi netiktu bojāti. Bojājuma gadījumā neturiet iekārtu potenciālu uguns avotu tuvumā, jo tas var izraisīt iekārtas aizdegšanos, un vēdiniet telpu, kurā novietota iekārta.

Iekārtā izmantotais gāzes tips ir norādīts uz uzlīmes ar specifikācijas datiem ledusskapja iekšpusē kreisajā pusē.

Nekādā gadījumā neatbrīvojieties no iekārtas, to sadedzinot.

Kas jādara, lai taupītu enerģiju

- Neturiet ledusskapja durvis ilgi atvērtas.
- Neievietojiet ledusskapī karstu pārtiku vai dzērienus.
- Neievietojiet ledusskapī pārāk daudz produktu, lai gaisa cirkulācija tā iekšpusē netiktu traucēta.
- Neuzstādiet ledusskapi tiešā saules gaismā vai karstumu izstarojošu iekārtu, piemēram, krāsns, trauku mazgājamās iekārtas vai radiatora tuvumā. Turiet ledusskapi vismaz 30 cm attālumā no karstuma avotiem un vismaz 5 cm attālumā no elektriskajām cepeškrāsnīm.
- Pievērsiet uzmanību tam, lai pārtika atrastos aizvērtos traukos.
- Ja ledusskapja saldētavas nodalījumā vēlaties ievietot maksimālo pārtikas daudzumu, izņemiet saldētavas nodalījuma atvilktnes. Ledusskapim norādītā enerģijas patēriņa vērtība tika noteikta, izmantojot ierīci ar izņemtām saldētavas nodalījuma atvilktnēm. Nepastāv nekāds risks, izmantojot plauktu vai atvilktni, kas piemērota sasaldējamās pārtikas formai un izmēram.
- Sasaldētās pārtikas atļaidināšana ledusskapja nodalījumā gan ietaupīs elektroenerģiju, gan saglabās pārtikas kvalitāti.

○ Ledusskapja uzstādīšanas istabas temperatūrai ir jābūt vismaz -15° C. Ledusskapja darbināšana vēsākos apstākļos nav ieteicama.

○ Ledusskapja iekšpusē ir jāiztīra.

3 Uzstādīšana

Ē Šajā lietošanas rokasgrāmatā sniegto norādījumu neievērošanas gadījumā ražotājs neuzņemas nekādu atbildību.

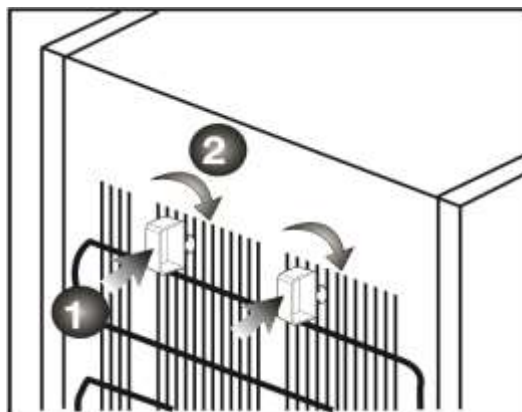
Lietas, kurām jāpievērš uzmanība ledusskapja pārvietošanas laikā

1. Ledusskapja kontaktspraudnim ir jābūt atvienotam no elektrotīkla kontaktrozetes. Ledusskapim pirms transportēšanas ir jābūt iztukšotam un iztīrītam.
2. Ledusskapja plauktiem, piederumiem, dzesēšanas nodalījumam utt. pirms atkārtotas iepakojšanas ir jābūt cieši nostiprinātiem ar līmlenti, lai tos nodrošinātu pret jebkādiem triecieniem Iepakojums ir jānostiprina ar biezu lenti vai izturīgiem striķiem, un stingri jāievēro visi transportēšanas noteikumi.
3. Oriģinālo iepakojumu un putuplastu vajadzētu saglabāt iekārtas transportēšanai vai pārvietošanai nākotnē.

Pirms ledusskapja ieslēgšanas

Pirms ledusskapja ieslēgšanas pārbaudiet tālāk minētos norādījumus.

1. Piestipriniet 2 plastmasas ķīļus, kā norādīts tālāk. Plastmasas ķīļi ir paredzēti nepieciešamā attāluma nodrošināšanai starp ledusskapi un sienu, lai varētu notikt gaisa cirkulācija. (Attēls ir dots tikai piemēram, un tas precīzi neatspoguļo jūsu iekārtu.)



2. Iztīriet ledusskapja iekšpusi, kā ieteikts sadaļā “Apkope un tīrīšana”.
3. Ievietojiet ledusskapja spraudkontakta sienas kontaktligzdā. Kad ledusskapja durvis tiek atvērtas, iedegas ledusskapja iekšējā apgaismojuma lampiņa.
4. Kad sāk darboties kompresors, dzirdama skaņa. Pat tad, ja kompresors nedarbojas, troksni var radīt arī šķidrums un gāzes, kas atrodas dzesēšanas sistēmā, un tas ir normāli.
5. Ledusskapja priekšējās malas var būt siltas. Tas ir normāli. Šīm vietām ir jābūt siltām, lai izvairītos no kondensācijas.

Pievienošana elektrotīklam

Pievienojiet iekārtu iezemētai kontaktligzdai, kas aizsargāta ar atbilstošas jaudas drošinātāju. Svarīgi!

Savienojumam jāatbilst valsts noteikumiem.

- Pēc uzstādīšanas spēka kabeļa spraudkontakta jābūt viegli pieejamam.
- Ledusskapja elektriskā drošība var tikt garantēta tikai tad, ja iezemējuma sistēma jūsu mājā atbilst standartiem.
- Spriegumam, kas norādīts uz uzlīmes iekārtas iekšpusē kreisajā pusē, ir jābūt tādā pašam kā tīklam spriegumam.
- **Savienošanai nedrīkst tikt izmantoti pagarinātāji un sadalītāji.**

⚠ Bojātu elektrisko kabeli jānomaina kvalificētam elektriķim.

⚠ Iekārtu nedrīkst izmantot, kamēr tā nav salabota! Pastāv elektriskās strāvas trieciena risks!

Atbrīvošanās no iepakojuma

Iepakojuma materiāli var būt bīstami bērniem. Glabājiet iepakojuma materiālus bērniem nepieejamā vietā vai atbrīvojieties no tiem atbilstoši vietējo varas iestāžu noteikumiem par atbrīvošanos no atkritumiem. Neizmetiet tos kopā ar parastajiem mājsaimniecības atkritumiem, bet nogādājiet tos vietējo varas iestāžu norādītajās iepakojuma savākšanas vietās.

Ledusskapja iepakojums ir izgatavots no otrreizēji pārstrādājamiem materiāliem.

Atbrīvošanās no vecā ledusskapja

Atbrīvojieties no vecās iekārtas tā, lai netiktu nodarīts kaitējums videi.

- Par atbrīvošanos no ledusskapja varat konsultēties ar pilnvarotu izplatītāju vai vietējās pašvaldības atkritumu savākšanas centru.

Pirms atbrīvošanās no ledusskapja, nogrieziet spraudkontakta un, ja uz durvīm ir slēdzenes, padariet tās neizmantojamas, lai pasargātu bērnus no jebkādam briesmām.

Novietošana un uzstādīšana

⚠ Ja telpas, kurā ledusskapis tiks uzstādīts, durvis ir par šauru, lai ledusskapi ievietotu, sazinieties ar autorizētu pakalpojuma sniedzēju, lai tiktu izņemtas ledusskapja durvis un ledusskapi ievietotu pa durvīm sāniski.

1. Uzstādiet ledusskapi vietā, kurā to iespējams viegli izmantot.
2. Neturiet ledusskapi karstuma avotu tuvumā, mitrās vietās un tiešā saules gaismā.
3. Lai nodrošinātu efektīvu darbību, apkārt ledusskapim ir jābūt pietiekamai ventilācijai. Ja ledusskapis ir jāievieto sienas nišā, jābūt vismaz 5 cm attālumam no griestiem un 5 cm attālumam no sienas. Novietojiet iekārtu uz tādiem materiāliem kā tepiķis vai paklājs.
4. Novietojiet ledusskapi uz līdzenas grīdas virsmas, lai izvairītos no vibrācijas.

Apgaismojuma lampas nomaiņa

Lai nomainītu ledusskapja apgaismojuma lampu/LED, sazinieties ar pilnvarotu pakalpojumu sniedzēju.

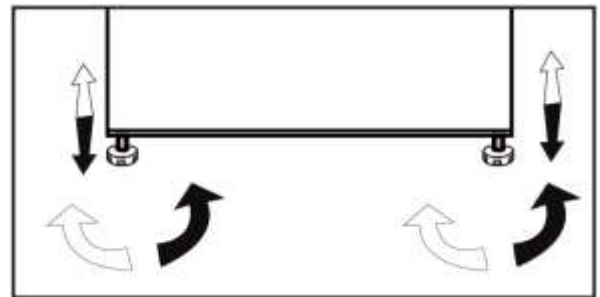
Prietaise naudojamos lempu/LED nēra skirtos kambariū apšvietimui namū salygomis. Šios lempu/LED yra skirtos pagelbėti naudotojui saugiai ir patogiai sudėti maisto produktus į šaldytuvą ar šaldiklį.

Šiame prietaise naudojamos lempas turi atlaikyti ekstremalias sąlygas, pavyzdžiui, žemesnę nei -20°C temperatūrą.

Kājiņu noregulēšana

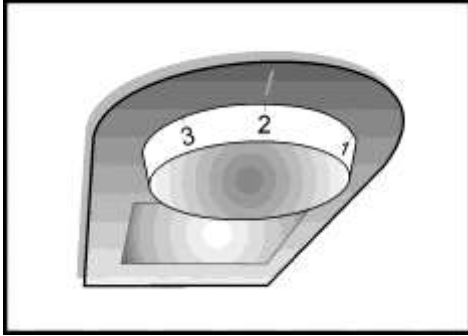
Ja ledusskapis nav stabils,

Varat novietot ledusskapi stabili, pagriežot priekšējās kājiņas, kā parādīts attēlā. Stūris, kurā atrodas kāja, tiek nolaists uz leju, ja tiek pagriezts melnās bultiņas virzienā, un pacelts uz augšu, ja tiek pagriezts pretējā virzienā. Otrās personas palīdzība, mazliet paceļot ledusskapi, atvieglos šo procesu.



- Ledusskapis ir uzstādāms vismaz 30 cm attālumā no tādiem karstuma avotiem kā plīts virsmas, krāsnis, centrālās apkures radiatori un plītis un vismaz 5 cm attālumā no elektriskajām krāsnīm, un to nedrīkst novietot tiešā saules gaismā.
- Lūdzu, pārliedzinieties, vai ledusskapja iekšpuse ir rūpīgi iztīrīta.
- Ja ir jāuzstāda divi blakus esoši ledusskapji, starp tiem jānodrošina vismaz 2 cm atstarpe.
- Kad ledusskapis tiek ieslēgts pirmo reizi, lūdzu, ievērojiet šos norādījumus pirmo sešu darbības stundu laikā.
- Durvis nevajadzētu bieži virināt.
- Ledusskapi vajadzētu darbināt tukšu, bez ievietotas pārtikas.
- Neatvienojiet ledusskapi no elektrotīkla kontaktrozetes. Elektroapgādes traucējumu gadījumā, lūdzu, skatiet brīdinājumus nodaļā "Ieteicamie problēmu risinājumi".
- Šī iekārta ir izstrādāta tā, lai darbotos vidē ar apkārtējo temperatūru līdz 43 °C (110 °F).

5 Ledusskapja lietošana



Termostata iestatīšanas poga

Jūsu ledusskapja iekšējā temperatūra mainās šādu iemeslu dēļ:

- Sezonas temperatūra,
- bieža ledusskapja durvju atvēršana un ilgstoša to atstāšana pusvīrus
- ledusskapī tiek ievietota līdz istabas temperatūrai neatdzēsēta pārtika.
- ledusskapja atrašanās vieta (piemēram, tiešā saules gaismā).
- Šo iemeslu dēļ varat ar termostata palīdzību iestatīt dažādas iekšējās temperatūras. Skaitļi, kas atrodas apkārt termostata pogai, norāda atdzesēšanas pakāpi.
- Ja temperatūra telpās ir augstāka par 32°C, tad pagrieziet termostata pogu līdz maksimālajai pozīcijai.
- Ja temperatūra telpās ir zemāka par 25°C, pagrieziet termostata pogu līdz minimālajai pozīcijai.

Atlaidināšana

A) Ledusskapja nodalījums

Ledusskapja nodalījumā tiek veikta pilnīgi automātiska atlaidināšana.

Ledusskapja nodalījuma atdzišanas laikā uz tā iekšējās aizmugurējās sienas var rasties ūdens lāsītes un 7-8 mm bieza sarmas kārtā. Tas ir normāls dzesēšanas sistēmas darbības rezultāts. Pateicoties automātiskajai atlaidināšanas sistēmai, kas atrodas uz aizmugurējās sienas, ik pēc zināma laika intervāla šī sarmas kārtā tiek atlaidināta ar automātiskās atlaidināšanas funkcijas palīdzību. No iekārtas nav jānokasa apsarmojums vai jānotīra ūdens pilieni. Ūdens, kas radies atlaidināšanas rezultātā, no ūdens savākšanas renes pa notekcauruli ieplūst iztvaikotājā un iztvaiko.

Regulāri pārbaudiet, vai notekcaurule nav aizsprostota, un, kad nepieciešams, ar stienīti iztīriet tās caurumu.

Lai izvairītos no saldētās pārtikas sabojāšanās, dziļās saldēšanas kamerā automātiskā atlaidināšana nenotiek.

B) Saldēšanas kamera

Pateicoties īpašajai atlaidinātā ledus ūdens tvertnei, atlaidināšana ir ļoti viegla un vienkārša.

Veiciet atlaidināšanu divas reizes gadā vai tad, kad izveidojusies aptuveni 7 (1/4") mm bieza sarmas kārtā. Lai sāktu atlaidināšanu, izslēdziet iekārtas kontaktligzdas slēdzi un atvienojiet spraudkontakta no elektrotīkla kontaktligzdas.

Visai pārtikai ir jātiek ietītai vairākās avīžpapīra kārtās un uzglabātai vēsā vietā (piem., ledusskapī vai pieliekamajā kambarī).

Lai paātrinātu atlaidināšanu, ledusskapī var tikt uzmanīgi ievietotas tvertnes ar siltu ūdeni.

Sarmas noņemšanai neizmantojiet smailus vai asmalainus priekšmetus, teksim, nažus vai dakšiņas.


Nekādā gadījumā atlaidināšanai neizmantojiet fēnus, elektriskos sildītājus vai citas līdzīgas elektriskās ierīces. Izslaukiet ūdeni, kas atlaidināšanas rezultātā sakrājis saldēšanas kameras apakšā. Pēc atlaidināšanas rūpīgi izslaukiet iekšpusi. Ievietojiet spraudkontakta sienas kontaktligzdā un ieslēdziet barošanas avotu.

Svaigas pārtikas sasaldēšana

- Pirms pārtikas ievietošanas ledusskapī to ieteicams ietīt vai pārsegt.
- Pirms ievietošanas ledusskapī karsts ēdiens ir jāatdzesē līdz istabas temperatūrai.
- Pārtikai, kuru vēlaties sasaldēt, ir jābūt svaigai un labas kvalitātes.
- Pārtika ir jāsadala porcijās atbilstoši ģimenes ikdienas vai ēdienreižu patēriņa vajadzībām.
- Pārtika ir hermētiski jāiepako, lai izvairītos no tās izžūšanas, pat ja tā ir jāuzglabā īsu laiku.
- Iepakojuma materiāliem ir jābūt neplīstošiem, aukstumam, mitrumam, smakam, eļļai un skābju necaurlaidīgiem, kā arī gaisu necaurlaidīgiem. Tiem jābūt arī labi aizvērtiem un ražotiem no viegli izmantojamiem materiāliem, kas piemēroti dziļajai sasaldēšanai.
- Saldētā pārtika jāizmanto uzreiz pēc atlaidināšanas un nekādā gadījumā to nedrīkst atkārtoti sasaldēt.
- Lai nodrošinātu vislabākos rezultātus, lūdzu, ievērojiet tālāk sniegtos norādījumus.
 1. Nesasaldējiet pārāk lielu pārtikas daudzumu vienā reizē. Pārtikas kvalitāte vislabāk saglabāsies tad, ja tā tiks pēc iespējas ātrāk pilnīgi sasaldēta.
 2. Siltas pārtikas ievietošana saldēšanas kamerā liek dzesēšanas sistēmai nepārtraukti darboties, līdz pārtika ir sasaldēta.
 3. Uzmanieties, un nenovietojiet vienkopus jau sasaldētu pārtiku un svaigu pārtiku.

- Pirms ievietošanas ledusskapī karsts ēdiens un dzērieni ir jāatdzesē līdz istabas temperatūrai.
- Maksimālo saldētās pārtikas uzglabāšanas vietas tilpumu var panākt saldētavu izmantojot bez atvilktnēm un augšējā plaukta vāka. Iekārtas elektroenerģijas patēriņš norādīts pilnai saldētavai bez atvilktnēm un augšējā plaukta vāka (produkti novietoti tikai plauktos).
- Ja ir radušies strāvas padeves traucējumi, neveriet vaļā saldētavas durvis. Pat tad, ja elektropadeves traucējumi ilgs līdz sadaļā "Ledusskapja tehniskā specifikācija" norādītajam "temperatūras palielināšanās laikam", tas neietekmēs sasaldēto pārtiku. Ja elektropadeves traucējumi ir ilgāki, tad pārtika ir jāpārbauda, un, ja nepieciešams, nekavējoties jāizmanto vai jāpagatavo un atkārtoti jāsasaldē.
- Pārtikas iegādes laikā pievērsiet uzmanību tās derīguma termiņam, maksimālajam atļautajam uzglabāšanas laikam un ieteicamajai uzglabāšanas temperatūrai. Ja derīguma termiņš ir beidzies, nelietojiet pārtiku.

Ieteikumi par sasaldētas pārtikas uzglabāšanu

Iepriekš iepakota, komerciāli saldēta pārtika ir jāuzglabā saskaņā ar ražotāja norādījumiem par  (4 zvaigžņu) saldētas pārtikas uzglabāšanas nodaļuma izmantošanu.

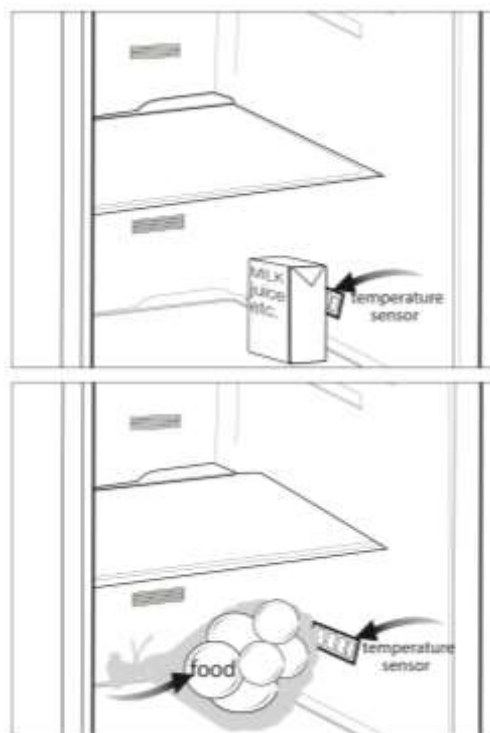
• Lai nodrošinātu, ka tie sasniegta augstākā saldētas pārtikas ražotāja un pārdevēja nodrošinātā kvalitāte, jāatceras šādas lietas:

1. Pēc iespējas ātrāk pēc iepakojumu iegādes tos ievietojiet saldētavā.
2. Pārlicinieties, ka saturs ir marķēts un datēts.
3. Nepārsniedziet uz datuma norādītos „Izlietot līdz” vai „Derīguma termiņš” datumus.

Ieteikumi par svaigās pārtikas nodaļuma izmantošanu

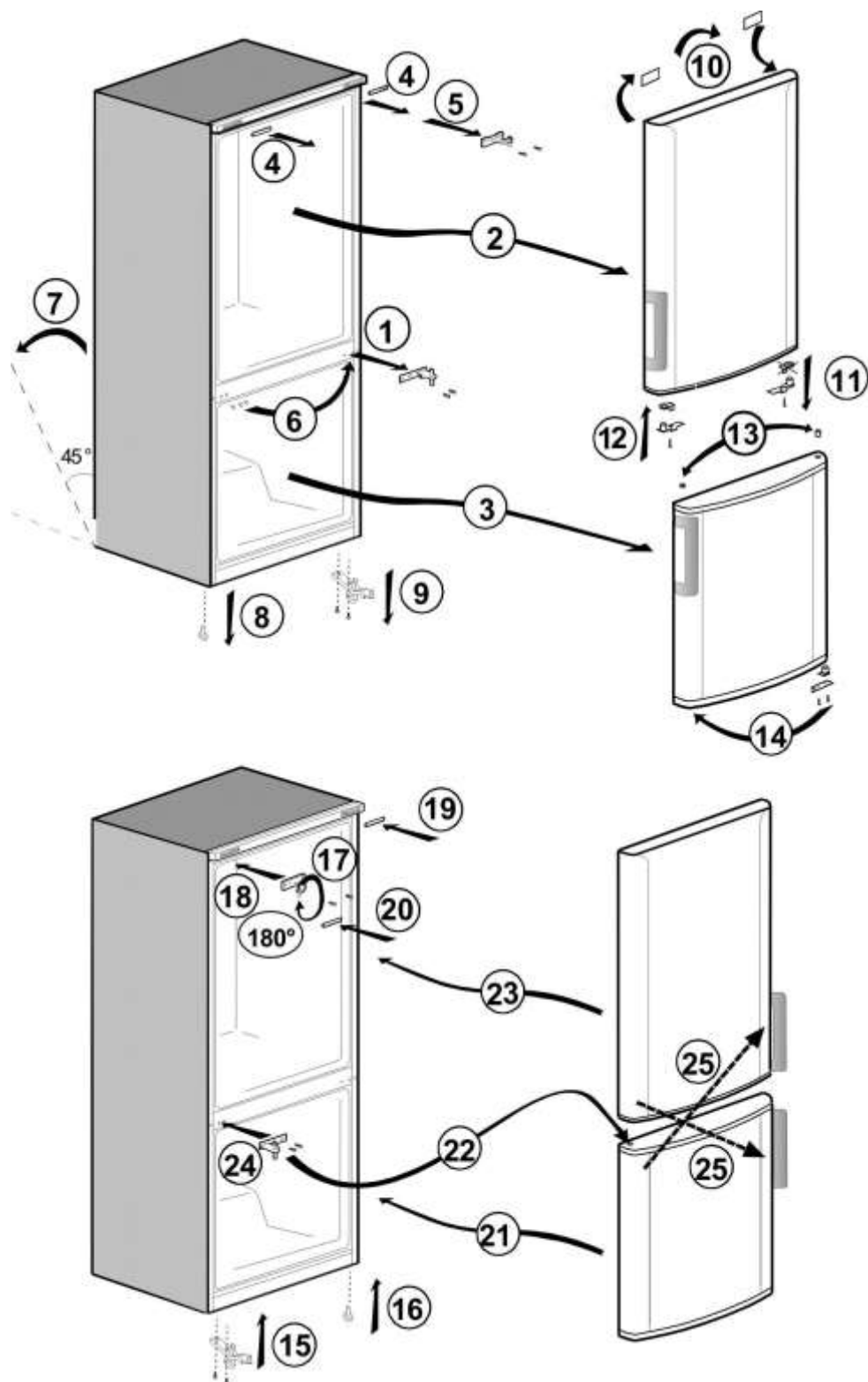
*izvēles iespēja

- Neļaujiet pārtikai pieskarties pie temperatūras sensora svaigās pārtikas uzglabāšanas nodaļumā. Lai svaigās pārtikas uzglabāšanas nodaļumā tiktu saglabāta ideālā uzglabāšanas temperatūra, sensora darbību nedrīkst traucēt pārtika.
- Neievietojiet iekārtā karstu ēdienu.



Durvju ievietošana otrādi

Rīkojieties ar cipariem norādītajā secībā



- A** Nekādā gadījumā tīrīšanai neizmantojiet gazolīnu, benzīnu vai līdzīgas vielas.
- B** Mēs iesakām iekārtu pirms tīrīšanas atvienot no barošanas avota.
- B** Nekad tīrīšanai neizmantojiet asus abrazīvus instrumentus, ziepes, mājsaimniecības tīrīšanas līdzekļus, mazgāšanas līdzekļus un pulējamo vasku.
- C** Notīriet ledusskapja korpusu, izmantojot remdenu ūdeni, un noslaukiet to sausu.
- C** Ar drānu, kas samitrināta 0,57 l ūdens un 1 tk. sodas šķīdumā un izgriezta, iztīriet iekšpusi, pēc tam izslaukiet to sausu.
- B** Nodrošiniet, lai ūdens neiekļūtu lampiņas korpusā un citos elektrokomponentos.
- B** Ja ledusskapis netiks lietots ilgāku laiku, atvienojiet strāvas kabeli, izņemiet visu pārtiku, iztīriet to un atstājiet durvis pusvīrus.
- C** Regulāri pārbaudiet, vai durvju blīves ir tīras un tajās nav sakrājušās pārtikas daļiņas.
- A** Lai izņemtu durvju plauktus, izņemiet visu saturu, pēc tam vienkārši paceliet plauktus no apakšas uz augšu.
- A** Iekārtas ārējo virsmu un hromēto daļu tīrīšanai nekad neizmantojiet tīrīšanas līdzekļus vai ūdeni, kura sastāvā ir hlors. Hlors rada šādu metāla virsmu koroziju.

Kā novērst nepatīkamu smaku veidošanos

Mūsu ledusskapju izgatavošanā netiek izmantoti materiāli, kas varētu radīt nepatīkamu smaku.

Nepatīkama smaka var rasties tāpēc, ka netiek pareizi uzglabāta ledusskapī ievietotā pārtika vai atbilstoši netiek tīrīta ledusskapja iekšpuse. Lai novērstu šo problēmu, pievērsiet uzmanību šādiem norādījumiem:

- Ir svarīgi vienmēr tīrīt ledusskapi. Pārtikas atliekas, traipi un līdzīgas lietas var izraisīt smaku. Tāpēc reizi 15 dienās iztīriet ledusskapi ar ūdenī izšķīdinātu karbonātu. Nekad neizmantojiet mazgāšanas līdzekļus vai ziepes.
- Glabājiet pārtiku aizvērtos traukos. Nepatīkamu smaku var radīt mikroorganismi, kuri sāk izplatīties no nenosegtajiem traukiem.
- Nekad neglabājiet ledusskapī bojātu pārtiku vai tādu pārtiku, kurai beidzies derīguma termiņš.

Plastmasas virsmu aizsardzība

C Nelieciet ledusskapī šķidras eļļas vai eļļā gatavotus ēdienus nenoslēgtos traukos, jo tie bojā ledusskapja plastmasas virsmas. Ja uz plastmasas virsmām izlīst vai izsmērējas eļļa, uzreiz notīriet un noskalojiet attiecīgo vietu ar siltu ūdeni.

7 Problēmu novēršana

Lūdzu, pārskatiet šo sarakstu pirms sazināšanās ar apkopes centru. Tas ietaupīs jūsu laiku un naudu. Šajā sarakstā iekļautas bieži sastopamas problēmas, kas nav saistītas ar defektīvu ražojumu vai defektīva materiāla izmantošanu. Jūsu iekārtai var nebūt

Ledusskapis nedarbojas.

- Spraudkontakts nav pareizi ievietots elektrotīkla kontaktozetē. >>>Kārtīgi ievietojiet spraudkontaktu sienas kontaktligzdā.
- Var būt izdedzis drošinātājs kontaktligzdai, kurai pievienots ledusskapis, vai arī izsists galvenais drošinātājs. >>>Pārbaudiet drošinātāju.

Kondensācija uz ledusskapja nodalījuma sānu sienas (MULTIZONE, COOL CONTROL un FLEXI ZONE).

- Apkārtējā vide ir ļoti auksta. >>>Neuzstādiet ledusskapi vietās, kurās temperatūra kļūst zemāka par 0° C.
- Durvis tiek bieži virinātas. >>>Bieži neatveriet un neaizveriet ledusskapja durvis.
- Apkārtējā vide ir ļoti mitra. >>>Neuzstādiet ledusskapi vietās ar augstu gaisa mitru līmeni.
- Šķidrums saturoša pārtika tiek uzglabāta atvērto traukos. >>>Neturiet šķidrums saturošu pārtiku atvērto traukos.
- Ledusskapja durvis ir atstātas pusvīrus. >>>Aizveriet ledusskapja durvis.
- Termostats ir iestatīts uz ļoti zemu temperatūru. >>>Iestatiet termostatu ar atbilstošu temperatūras līmeni.

Kompresors nedarbojas

- Kompresora termiskā aizsardzība atslēdzas pēkšņu elektroapgādes traucējumu gadījumā vai arī pieslēgšanas-atslēgšanas laikā, jo dzesēšanas šķidrums ledusskapja dzesēšanas sistēmā nav sabalansēts. Ledusskapis sāks darboties pēc aptuveni 6 minūtēm. Lūdzu, sazinieties ar apkopes centru, ja ledusskapis nesāk darboties pēc šī laika perioda paiešanas.
- Ledusskapis izpilda atslēgšanas ciklu. >>>Tas ir normāli ledusskapim, kas veic pilnīgi automātisku atslēgšanu. Atslēgšanas cikls periodiski atkārtojas.
- Ledusskapis nav pievienots kontaktligzdai. >>>Pārbaudiet, vai spraudkontakts ir pareizi iesprausts kontaktligzdā.
- Temperatūras iestatījumi nav pareizi. >>>Izvēlieties atbilstošu temperatūras vērtību.
- Noticis strāvas padeves pārtraukums. >>>Pēc elektropadeves atjaunošanās atsāksies normāla ledusskapja darbība.

Darbības troksnis palielinās, kad ledusskapis darbojas.

- Ledusskapja veiktspēja var mainīties atkarībā no ārējās temperatūras izmaiņām. Tas ir normāli un nav defekts.

Ledusskapis darbojas bieži vai ilgu laiku.

- Iespējams, ka jaunais ledusskapis ir platāks par iepriekšējo. Lieli ledusskapji darbojas ilgāku laika periodu.
- Iespējams, ka ir augsta telpas temperatūra. >>>Tas ir normāli, ka augstā vides temperatūrā iekārta darbojas ilgāk.
- Iespējams, ka ledusskapis ir nesen ieslēgts vai tajā nesen ievietota pārtika. >>>Ja ledusskapis ir nesen pievienots elektrotīkla kontaktrozetei vai piepildīts ar pārtiku, tad iestatītās temperatūras sasniegšanai nepieciešamais laiks ir ilgāks. Tas ir normāli.
- Iespējams, ka nesen ledusskapī ievietots liels daudzums karsta ēdiena. >>>Nelieciet ledusskapī karstu ēdienu.
- Iespējams, ka durvis tiek bieži atvērtas vai ilgstoši atstātas pusvīrus. >>>Siltais gaiss, kas iekļūst ledusskapī, liek tam darboties ilgāku laiku. Neatveriet durvis bieži.
- Iespējams, ka saldētavas vai ledusskapja nodalījuma durvis atstātas pusvīrus. >>>Pārbaudiet, vai durvis ir pilnīgi aizvērtas.
- Iestatīta ļoti zema ledusskapja temperatūra. >>>Iestatiet augstāku ledusskapja temperatūru un gaidiet, līdz šī temperatūra tiek sasniegta.
- Ledusskapja vai saldēšanas kameras durvju blīvējums var būt netīrs, nodilis, ieklīsis vai nepareizi novietots. >>>Notīriet vai nomainiet blīvējumu. Bojāts/ieklīsis blīvējums liek ledusskapim darboties ilgāku laiku, lai saglabātu esošo temperatūru.

Saldēšanas kameras temperatūra ir ļoti zema, bet ledusskapja temperatūra ir apmierinoša.

- Iestatīta ļoti zema saldētavas temperatūra. >>>Iestatiet augstāku saldētavas temperatūru un pārbaudiet.

Ledusskapja temperatūra ir ļoti zema, bet saldēšanas kameras temperatūra ir apmierinoša.

- Iestatīta ļoti zema ledusskapja temperatūra. >>>Iestatiet augstāku ledusskapja temperatūru un pārbaudiet.

Pārtika, kas atrodas ledusskapja nodalījuma atvilktnēs, sasalst.

- Iestatīta ļoti augsta ledusskapja temperatūra. >>>Iestatiet zemāku ledusskapja temperatūru un pārbaudiet.

Ledusskapja vai saldēšanas kameras temperatūra ir ļoti augsta.

- Iestatīta ļoti augsta ledusskapja temperatūra. >>>Ledusskapja nodalījuma temperatūra ietekmē saldētavas temperatūru. Mainiet ledusskapja vai saldētavas temperatūru un pagaidiet, līdz attiecīgie nodalījumi sasniedz atbilstošo temperatūru.
 - Durvis tiek bieži atvērtas vai ilgstoši atstātas pusvīrus. >>>Neatveriet durvis bieži.
 - Durvis ir pusvīrus. >>>Kārtīgi aizveriet durvis.
 - Ledusskapis ir nesen pievienots elektrotīkla kontaktrozetei vai piepildīts ar pārtiku. >>>Tas ir normāli.
- Ja ledusskapis ir nesen pievienots elektrotīkla kontaktrozetei vai piepildīts ar pārtiku, tad iestatītās temperatūras sasniegšanai nepieciešamais laiks ir ilgāks.
- Iespējams, ka nesen ledusskapī ievietots liels daudzums karsta ēdiena. >>>Nelieciet ledusskapī karstu ēdienu.

| |
|--|
| Vibrācija vai trokšņi. |
| <ul style="list-style-type: none"> • Grīda nav vienā līmenī vai pietiekami izturīga. >>> Ja ledusskapis šūpojas, kad tiek viegli pabīdīts, novietojiet to stabili, noregulējot kājiņas. Pārliedzinieties arī par to, vai grīda ir līdzena un pietiekami izturīga, lai spētu noturēt ledusskapi. • Troksni var radīt uz ledusskapja uzliktie priekšmeti. >>>Noņemiet šos priekšmetus no ledusskapja virsmas. |
| No ledusskapja atskan trokšņi, kas izklausās pēc šķidruma plūšanas, izsmidzināšanas utt. |
| <ul style="list-style-type: none"> • Atbilstoši ledusskapja darbības principiem tajā plūst šķidrums un gāze. Tas ir normāli un nav defekts. |
| No ledusskapja atskan svilpšanai līdzīga skaņa. |
| <ul style="list-style-type: none"> • Ledusskapja dzesēšanai tiek izmantoti ventilatori. Tas ir normāli un nav defekts. |
| Kondensācija uz ledusskapja iekšējām sienām. |
| <ul style="list-style-type: none"> • Karsti un mitri laika apstākļi palielina ledus un kondensāta veidošanos. Tas ir normāli un nav defekts. • Durvis tiek bieži atvērtas vai ilgstoši atstātas pusvīrus. >>>Neatveriet durvis bieži. Ja durvis ir atvērtas, tad aizveriet. • Durvis ir pusvīrus. >>>Kārtīgi aizveriet durvis. |
| Ledusskapja ārpusē vai starp durvīm rodas mitrums. |
| <ul style="list-style-type: none"> • Iespējams, ka ir augsts gaisa mitrums. Slapjos laika apstākļos tas ir normāli. Kad mitrums būs mazāks, kondensāts izzudīs. |
| Slikta smaka ledusskapī. |
| <ul style="list-style-type: none"> • Nav veikta regulāra tīrīšana. >>>Regulāri tīriet ledusskapja iekšpusi ar sūklīti, siltu ūdeni vai ūdenī izšķīdinātu karbonātu. • Iespējams, ka smaku rada izmantotie pārtikas uzglabāšanas trauki vai iepakojuma materiāli. >>>Izmantojiet pārtikas uzglabāšanai citus traukus vai citas markas iepakojuma materiālu. • Pārtika ir ievietota ledusskapī nenosegtos traukos. >>>Turiet pārtiku slēgtos traukos. Nepatīkamam smaku var radīt mikroorganismi, kuri sāk izplatīties no nenosegtajiem traukiem. • Izņemiet no ledusskapja pārtiku, kuras derīguma termiņš ir beidzies vai kura ir sabojājusies. |
| Durvis nevar aizvērt. |
| <ul style="list-style-type: none"> • Pārtikas iepakojumi traucē aizvērt durvis. >>>Pārvietojiet iepakojumus, kuri traucē aizvērt durvis. • Ledusskapis nav novietots pilnīgi līdzeni uz grīdas. >>>Noregulējiet ledusskapja kājiņas, lai tas atrastos vienā līmenī. • Grīda nav vienā līmenī vai pietiekami izturīga. >>>Pārliedzinieties, vai grīda atrodas vienā līmenī un spēj noturēt ledusskapja svaru. |
| Augļu nodalījuma atvilktnes ir iesprūdušas. |
| <ul style="list-style-type: none"> • Pārtika pieskaras atvilktnes griestiem. >>>Pārkārtojiet atvilktnē esošo pārtiku. |

4578336033/AD
EN-FR-D-LT-LV