



Refrigerator / Freezer

Congélateur / Réfrigérateur

Kühlschrank / Gefrierschrank

Chłodziarko-Zamrażarki

RCSA365K20W

Please read this user manual first!

Dear Customer,

We hope that your product, which has been produced in modern plants and checked under the most meticulous quality control procedures, will provide you an effective service.

Therefore, read this entire user manual carefully before using the product and keep it as a reference. If you handover the product to someone else, give the user manual as well.

The user manual will help you use the product in a fast and safe way.

- Read the manual before installing and operating the product.
- Make sure you read the safety instructions.
- Keep the manual in an easily accessible place as you may need it later.
- Read the other documents given with the product.

Remember that this user manual is also applicable for several other models. Differences between models will be identified in the manual.

Explanation of symbols

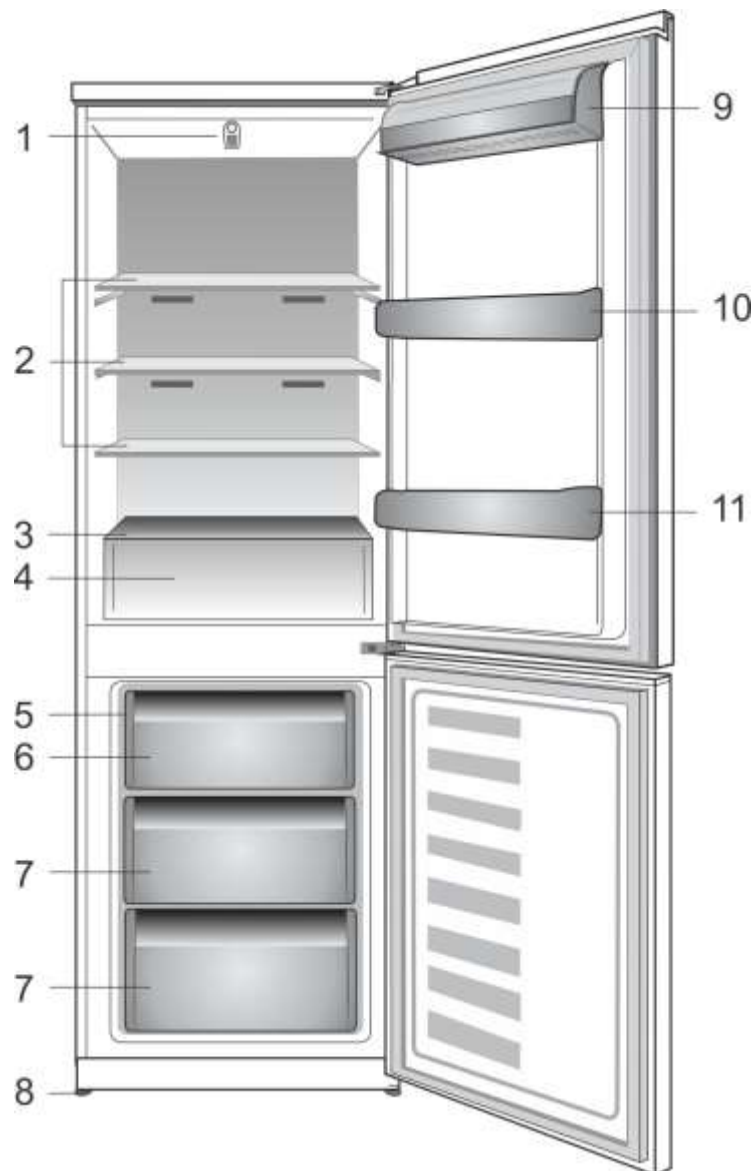
Throughout this user manual the following symbols are used:

- C** Important information or useful tips.
- A** Warning against dangerous conditions for life and property.
- B** Warning against electric voltage.

CONTENTS

<u>1 Your refrigerator</u>	3	<u>4 Preparation</u>	11
<u>2 Important Safety Warnings</u>	4	<u>5 Using your refrigerator</u>	12
Intended use.....	4	Thermostat setting button.....	12
General safety.....	4	Defrost.....	13
For products with a water dispenser.....	6	Freezing fresh food.....	14
Child safety.....	6	Recommendations for preservation of frozen food.....	15
Compliance with the WEEE Regulation and Disposing of the Waste Product.....	6	Recommendations for the fresh food compartment.....	15
Package information.....	7	Reversing the doors.....	16
HCA warning.....	7	<u>6 Maintenance and cleaning</u>	17
Things to be done for energy saving.....	7	Avoiding bad odours.....	17
<u>3 Installation</u>	8	Protection of plastic surfaces	17
Points to be paid attention to when the relocation of the refrigerator.....	8	<u>7 Troubleshooting</u>	18
Before you start the refrigerator,.....	8		
Electrical connection.....	9		
Disposing of the packaging.....	9		
Disposing of your old refrigerator.....	9		
Placing and Installation.....	9		
Changing the illumination lamp	9		
Adjusting the legs.....	9		

1 Your refrigerator



- | | |
|--|--------------------------|
| 1. Setting knob and interior light | 8. Adjustable front feet |
| 2. Adjustable Cabinet shelves | 9. Dairy Compartment |
| 3. Cover glass | 10. Shelf for jars |
| 4. Salad crispers | 11. Shelf for bottles |
| 5. Ice tray support & ice tray | |
| 6. Compartment for quickly freezing | |
| 7. Compartments for frozen foods keeping | |

C Figures that take place in this instruction manual are schematic and may not correspond exactly with your product. If the subject parts are not included in the product you have purchased, then it is valid for other models.

2 Important Safety Warnings

Please review the following information. Failure to observe this information may cause injuries or material damage. Otherwise, all warranty and reliability commitments will become invalid.

The service life of your product is 10 years. During this period, original spare parts will be available to operate the product properly.

Intended use

This product is intended to be used

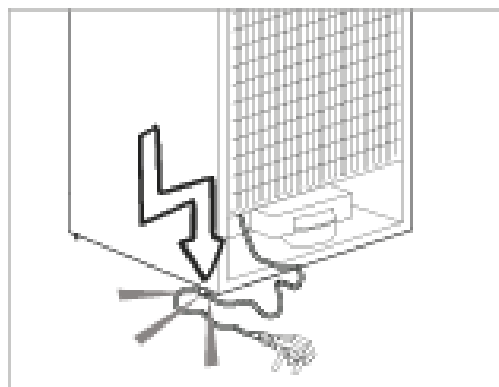
- indoors and in closed areas such as homes;
- in closed working environments such as stores and offices;
- in closed accommodation areas such as farm houses, hotels, pensions.
- It should not be used outdoors.

General safety

- When you want to dispose/scrap the product, we recommend you to consult the authorized service in order to learn the required information and authorized bodies.
- Consult your authorized service for all your questions and problems related to the refrigerator. Do not intervene or let someone intervene to the refrigerator without notifying the authorised services.
- For products with a freezer compartment; Do not eat cone ice cream and ice cubes immediately after you take them out of the freezer compartment! (This may cause frostbite in your mouth.)

- For products with a freezer compartment; Do not put bottled and canned liquid beverages in the freezer compartment. Otherwise, these may burst.
- Do not touch frozen food by hand; they may stick to your hand.
- Unplug your refrigerator before cleaning or defrosting.
- Vapor and vaporized cleaning materials should never be used in cleaning and defrosting processes of your refrigerator. In such cases, the vapor may get in contact with the electrical parts and cause short circuit or electric shock.
- Never use the parts on your refrigerator such as the door as a means of support or step.
- Do not use electrical devices inside the refrigerator.
- Do not damage the parts, where the refrigerant is circulating, with drilling or cutting tools. The refrigerant that might blow out when the gas channels of the evaporator, pipe extensions or surface coatings are punctured causes skin irritations and eye injuries.
- Do not cover or block the ventilation holes on your refrigerator with any material.
- Electrical devices must be repaired by only authorised persons. Repairs performed by incompetent persons create a risk for the user.

- In case of any failure or during a maintenance or repair work, disconnect your refrigerator's mains supply by either turning off the relevant fuse or unplugging your appliance.
- Do not pull by the cable when pulling off the plug.
- Place the beverage with higher proofs tightly closed and vertically.
- Never store spray cans containing flammable and explosive substances in the refrigerator.
- Do not use mechanical devices or other means to accelerate the defrosting process, other than those recommended by the manufacturer.
- This product is not intended to be used by persons with physical, sensory or mental disorders or unlearned or inexperienced people (including children) unless they are attended by a person who will be responsible for their safety or who will instruct them accordingly for use of the product.
- Do not operate a damaged refrigerator. Consult with the service agent if you have any concerns.
- Electrical safety of your refrigerator shall be guaranteed only if the earth system in your house complies with standards.
- Exposing the product to rain, snow, sun and wind is dangerous with respect to electrical safety.
- Contact authorized service when there is a power cable damage to avoid danger.
- Never plug the refrigerator into the wall outlet during installation. Otherwise, risk of death or serious injury may arise.
- This refrigerator is intended for only storing food items. It must not be used for any other purpose.
- Label of technical specifications is located on the left wall inside the refrigerator.
- Never connect your refrigerator to electricity-saving systems; they may damage the refrigerator.
- If there is a blue light on the refrigerator, do not look at the blue light with optical tools.
- For manually controlled refrigerators, wait for at least 5 minutes to start the refrigerator after power failure.
- This operation manual should be handed in to the new owner of the product when it is given to others.
- Avoid causing damage on power cable when transporting the refrigerator. Bending cable may cause fire. Never place heavy objects on power cable.
- Do not touch the plug with wet hands when plugging the product.



- Do not plug the refrigerator if the wall outlet is loose.
- Water should not be sprayed on inner or outer parts of the product for safety purposes.

- Do not spray substances containing inflammable gases such as propane gas near the refrigerator to avoid fire and explosion risk.
- Never place containers filled with water on top of the refrigerator; in the event of spillages, this may cause electric shock or fire.
- Do not overload the refrigerator with food. If overloaded, the food items may fall down and hurt you and damage refrigerator when you open the door.
- Never place objects on top of the refrigerator; otherwise, these objects may fall down when you open or close the refrigerator's door.
- As they require a precise temperature, vaccines, heat-sensitive medicine and scientific materials and etc. should not be kept in the refrigerator.
- If not to be used for a long time, refrigerator should be unplugged. A possible problem in power cable may cause fire.
- The plug's tip should be cleaned regularly with a dry cloth; otherwise, it may cause fire.
- Refrigerator may move if adjustable legs are not properly secured on the floor. Properly securing adjustable legs on the floor can prevent the refrigerator to move.
- When carrying the refrigerator, do not hold it from door handle. Otherwise, it may be snapped.
- When you have to place your product next to another refrigerator or freezer, the distance between devices should be at least 8cm. Otherwise, adjacent side walls may be humidified.

For products with a water dispenser;

Pressure of water mains should be minimum 1 bar. Pressure of water mains should be maximum 8 bars.


- Use only potable water.

Child safety

- If the door has a lock, the key should be kept away from reach of children.
- Children must be supervised to prevent them from tampering with the product.

Compliance with the WEEE Regulation and Disposing of the Waste Product



The symbol  on the product or on packaging indicates that this product may not be treated as household waste. Instead it shall be handed over to the applicable collection point for the recycling of electrical and electronic equipment. By ensuring this product is disposed of correctly, you will help prevent potential negative consequences for the environment and human health, which could otherwise be caused by inappropriate waste handling of this product. For more detailed information about recycling of this product, please contact your local city office, your household waste disposal service or the shop where you purchased the product.

Package information

Packaging materials of the product are manufactured from recyclable materials in accordance with our National Environment Regulations. Do not dispose of the packaging materials together with the domestic or other wastes. Take them to the packaging material collection points designated by the local authorities.

Do not forget...

Any recycled substance is an indispensable matter for nature and our national asset wealth.

If you want to contribute to the reevaluation of the packaging materials, you can consult to your environmentalist organizations or the municipalities where you are located.

HCA warning

If your product's cooling system contains R600a:

This gas is flammable. Therefore, pay attention to not damaging the cooling system and piping during usage and transportation. In the event of damage, keep your product away from potential fire sources that can cause the product catch a fire and ventilate the room in which the unit is placed.

Type of gas used in the product is stated in the type label which is on the left wall inside the refrigerator.

Never throw the product in fire for disposal.

Things to be done for energy Saving

- Do not leave the doors of your refrigerator open for a long time.
- Do not put hot food or drinks in your refrigerator.
- Do not overload your refrigerator so that the air circulation inside of it is not prevented.
- Do not install your refrigerator under direct sunlight or near heat emitting appliances such as ovens, dishwashers or radiators. Keep your refrigerator at least 30cm away from heat emitting sources and at least 5cm from electrical ovens.
- Pay attention to keep your food in closed containers.
- You can load maximum amount of food to the freezer compartment of the refrigerator by removing the freezer compartment drawers. Declared energy consumption value of the refrigerator was determined with the freezer compartment drawers removed. There is no risk in using a shelf or drawer suitable for the shapes and sizes of the foods to be frozen.
- Thawing frozen food in fridge compartment will both provide energy saving and preserve the food quality.

C Inside of your refrigerator must be cleaned thoroughly.

3 Installation

B In case the information which are given in the user manual are not taken into account, manufacturer will not assume any liability for this.

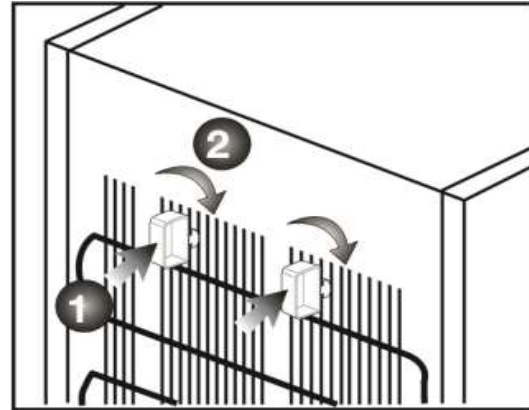
Points to be paid attention to when the relocation of the refrigerator

1. Your refrigerator should be unplugged. Before transportation of your refrigerator, it should be emptied and cleaned.
2. Before it is re-packaged, shelves, accessories, crisper, etc. inside your refrigerator should be fixed with adhesive tape and secured against impacts. Package should be bound with a thick tape or sound ropes and the transportation rules on the package should be strictly observed.
3. Original packaging and foam materials should be kept for future transportations or moving.

Before you start the refrigerator,

Check the following before you start to use your refrigerator:

1. Attach 2 plastic wedges as illustrated below. Plastic wedges are intended to keep the distance which will ensure the air circulation between your refrigerator and the wall. (The picture is drawn up as a representation and it is not identical with your product.)



2. Clean the interior of the refrigerator as recommended in the “Maintenance and cleaning” section.
3. Connect the plug of the refrigerator to the wall socket. When the fridge door is opened, fridge internal lamp will turn on.
4. When the compressor starts to operate, a sound will be heard. The liquid and gases sealed within the refrigeration system may also give rise to noise, even if the compressor is not running and this is quite normal.
5. Front edges of the refrigerator may feel warm. This is normal. These areas are designed to be warm to avoid condensation.

Electrical connection

Connect your product to a grounded socket which is being protected by a fuse with the appropriate capacity. Important:

The connection must be in compliance with national regulations.

- The power plug must be easily accessible after installation.
- Electrical safety of your refrigerator shall be guaranteed only if the earth system in your house complies with standards.
- The voltage stated on the label located at left inner side of your product should be equal to your network voltage.
- **Extension cables and multi plugs must not be used for connection.**

B A damaged power cable must be replaced by a qualified electrician.

B Product must not be operated before it is repaired! There is the risk of electric shock!

Disposing of the packaging

The packing materials may be dangerous for children. Keep the packing materials out of the reach of children or dispose of them by classifying them in accordance with the waste instructions stated by your local authorities. Do not throw away with regular house waste, throw away on packaging pick up spots designated by the local authorities.

The packing of your refrigerator is produced from recyclable materials.

Disposing of your old Refrigerator

Dispose of your old refrigerator without giving any harm to the environment.

- You may consult your authorized dealer or waste collection center of your municipality about the disposal of your refrigerator.

Before disposing of your refrigerator, cut out the electric plug and, if there are any locks on the door, make them inoperable in order to protect children against any danger.

Placing and Installation

A If the entrance door of the room where the refrigerator will be installed is not wide enough for the refrigerator to pass through, then call the authorized service to have them remove the doors of your refrigerator and pass it sideways through the door.

1. Install your refrigerator to a place that allows ease of use.
2. Keep your refrigerator away from heat sources, humid places and direct sunlight.
3. There must be appropriate air ventilation around your refrigerator in order to achieve an efficient operation. If the refrigerator is to be placed in a recess in the wall, there must be at least 5 cm distance with the ceiling and at least 5 cm with the wall. Do not place your product on the materials such as rug or carpet.
4. Place your refrigerator on an even floor surface to prevent jolts.

Changing the illumination Lamp

To change the Bulb/LED used for illumination of your refrigerator, call your Authorized Service.

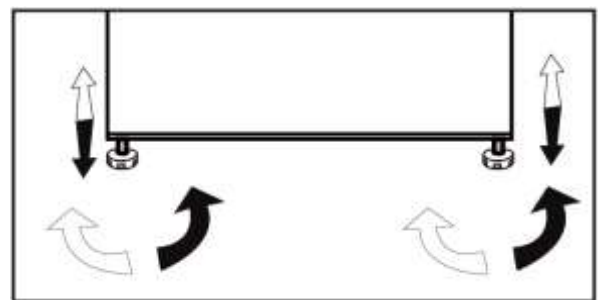
The lamp(s) used in this appliance is not suitable for household room illumination. The intended purpose of this lamp is to assist the user to place foodstuffs in the refrigerator/freezer in a safe and comfortable way.

The lamps used in this appliance have to withstand extreme physical conditions such as temperatures below -20°C .

Adjusting the legs

If your refrigerator is unbalanced;

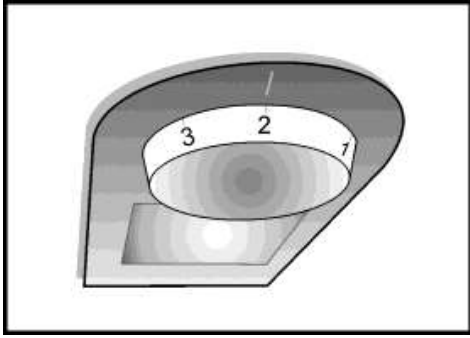
You can balance your refrigerator by turning its front legs as illustrated in the figure. The corner where the leg exists is lowered when you turn in the direction of black arrow and raised when you turn in the opposite direction. Taking help from someone to slightly lift the refrigerator will facilitate this process.



4 Preparation

- Your refrigerator should be installed at least 30 cm away from heat sources such as hobs, ovens, central heater and stoves and at least 5 cm away from electrical ovens and should not be located under direct sunlight.
- Please make sure that the interior of your refrigerator is cleaned thoroughly.
- If two refrigerators are to be installed side by side, there should be at least 2 cm distance between them.
- When you operate your refrigerator for the first time, please observe the following instructions during the initial six hours.
- The door should not be opened frequently.
- It must be operated empty without any food in it.
- Do not unplug your refrigerator. If a power failure occurs out of your control, please see the warnings in the “Recommended solutions for the problems” section.
- This product has been designed to function at ambient temperatures up to 43 °C (110 °F).

5 Using your refrigerator



Thermostat setting button

The interior temperature of your refrigerator changes for the following reasons;

- Seasonal temperatures,
- Frequent opening of the door and leaving the door open for long periods,
- Food put into the refrigerator without cooling down to the room temperature,
- The location of the refrigerator in the room (e.g. exposing to sunlight).
- You may adjust the varying interior temperature due to such reasons by using the thermostat.

Operating temperatures are controlled by the thermostat knob and may be set at any position between 0 and 5 (the coldest position).

The average temperature inside the fridge should be around +5°C (+41°F). Therefore adjust the thermostat to obtain the desired temperature. Some sections of the fridge may be cooler or warmer (such as salad crisper and top part of the cabinet) which is quite normal. We recommend that you check the temperature periodically with a thermometer to ensure that the cabinet is kept to this temperature. Frequent door openings cause internal temperatures to rise, so it is advisable to close the door as soon as possible after use.

Defrost

A) Fridge compartment

Fridge compartment performs full-automatic defrosting. Water drops and a frosting up to 7-8 mm can occur on the inner rear wall of the fridge compartment while your refrigerator cools down. Such formation is normal as a result of the cooling system. The frost formation is defrosted by performing automatic defrosting with certain intervals thanks to the automatic defrosting system of the rear wall. User is not required to scrape the frost or remove the water drops. Water resulting from the defrosting passes from the water collection groove and flows into the evaporator through the drain pipe and evaporates here by itself. Check regularly to see if the drain pipe is clogged or not and clear it with the stick in the hole when necessary. Deep freezer compartment does not perform automatic defrosting in order to prevent decaying of the frozen food.

B) Freezer compartment

Defrosting is very straightforward and without mess, thanks to a special defrost collection basin.

Defrost twice a year or when a frost layer of around 7 (1/4") mm has formed. To start the defrosting procedure, switch off the appliance at the socket outlet and pull out the mains plug.

All food should be wrapped in several layers of newspaper and stored in a cool place (e.g.) fridge or larder.

Containers of warm water may be placed carefully in the freezer to speed up the defrosting.

Do not use pointed or sharp-edged objects, such as knives or forks to remove the frost.

Never use hair dryers, electrical heaters or other such electrical appliances for defrosting.


Sponge out the defrost water collected in the bottom of the freezer compartment.

After defrosting, dry the interior thoroughly. Insert the plug into the wall socket and switch on the electricity supply.

Freezing fresh food

- It must be preferred to wrap or cover the food before placing them in the refrigerator.
- Hot food must cool down to the room temperature before putting them in the refrigerator.
- The foodstuff that you want to freeze must be fresh and in good quality.
- Foodstuff must be divided into portions according to the family's daily or meal based consumption needs.
- The foodstuff must be packaged in an airtight manner to prevent them from drying even if they are going to be kept for a short time.
- Materials to be used for packaging must be tear-proof and resistant to cold, humidity, odor, oils and acids and they must also be airtight. Moreover, they must be well closed and they must be made from easy-to-use materials that are suitable for deep freeze usage.
- Frozen food must be used immediately after they are thawed and they should never be re-frozen.
- Please observe the following instructions to obtain the best results.
 1. Do not freeze too large quantities of food at one time. The quality of the food is best preserved when it is frozen right through to the core as quickly as possible.
 2. Placing warm food into the freezer compartment causes the cooling system to operate continuously until the food is frozen solid.
 3. Take special care not to mix already frozen food and fresh food.
- Hot food and beverages must cool down to the room temperature before putting them in the refrigerator.
- Maximum frozen food storage volume is achieved without using the drawers and the upper shelf cover provided in the freezer compartment. Energy consumption of your appliance is declared while the freezer compartment is fully loaded on shelves without the use of the drawers and upper shelf cover.
- If there is a power failure do not open the freezer door. Even if the power failure lasts up to the "Temperature Increasing Time" indicated in the "Technical specifications of your refrigerator" section, frozen food will not be affected. In case the failure lasts longer, the food must be checked and when necessary, must be consumed immediately or must be frozen after cooked.
- Please pay attention to the expiry date, maximum allowed storage period and recommended storage temperature of foodstuffs when purchased. If expiry date is passed, do not consume.

Recommendations for preservation of frozen food

Prepacked commercially frozen food should be stored in accordance with the frozen food manufacturer's instructions for a  (4 star) frozen food storage compartment.

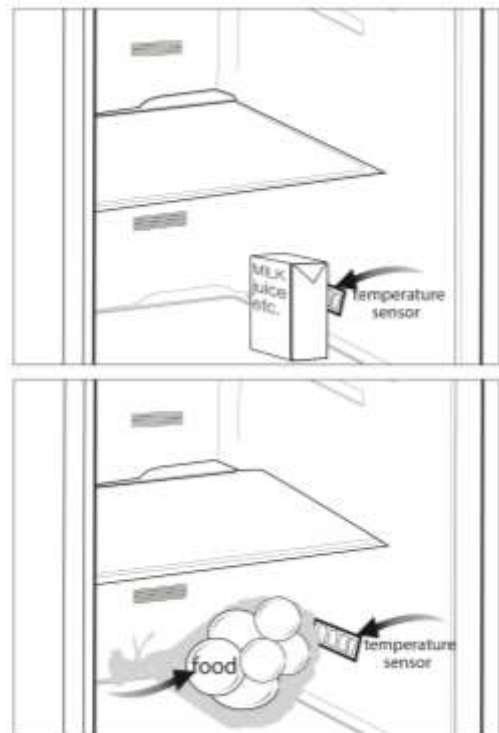
- To ensure that the high quality achieved by the frozen food manufacturer and the food retailer is maintained, the following should be remembered:

1. Put packages in the freezer as quickly as possible after purchase.
2. Ensure that contents are labeled and dated.
3. Do not exceed "Use By", "Best Before" dates on the packaging.

Recommendations for the fresh food compartment

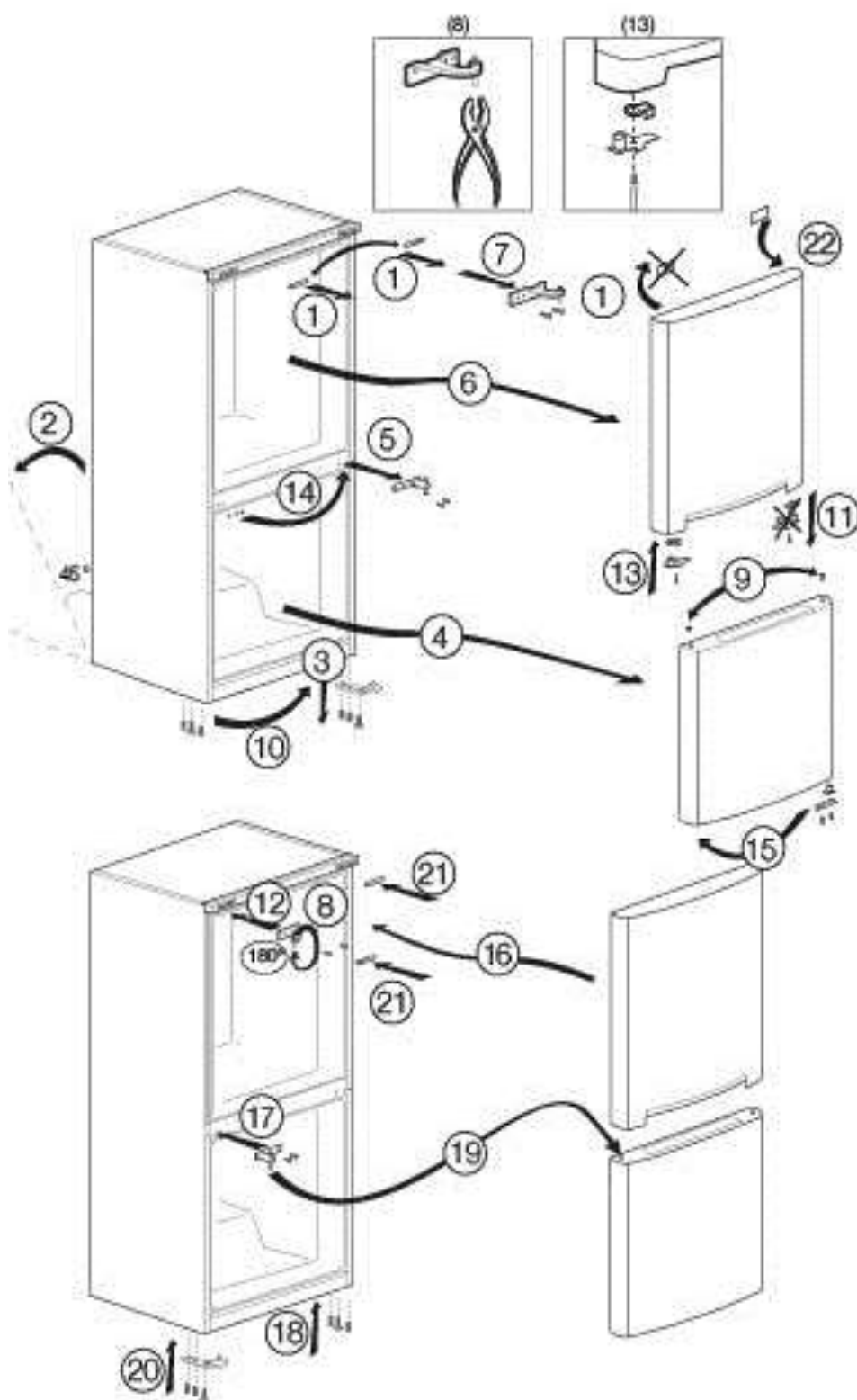
***optional**

- Do not allow the food to touch the temperature sensor in fresh food compartment. To allow the fresh food compartment keep its ideal storage temperature, sensor must not be hindered by food.
- Do not place hot foods in the product.



Reversing the doors

Proceed in numerical order



6 Maintenance and cleaning

- A** Never use gasoline, benzene or similar substances for cleaning purposes.
- B** We recommend that you unplug the appliance before cleaning.
- B** Never use any sharp abrasive instrument, soap, household cleaner, detergent and wax polish for cleaning.
- C** Use lukewarm water to clean the cabinet of your refrigerator and wipe it dry.
- C** Use a damp cloth wrung out in a solution of one teaspoon of bicarbonate of soda to one pint of water to clean the interior and wipe it dry.
- B** Make sure that no water enters the lamp housing and other electrical items.
- B** If your refrigerator is not going to be used for a long period of time, unplug the power cable, remove all food, clean it and leave the door ajar.
- C** Check door seals regularly to ensure they are clean and free from food particles.
- A** To remove door racks, remove all the contents and then simply push the door rack upwards from the base.
- A** Never use cleaning agents or water that contain chlorine to clean the outer surfaces and chromium coated parts of the product. Chlorine causes corrosion on such metal surfaces.

Avoiding bad odours

Materials that may cause odour are not used in the production of our refrigerators.

However, due to inappropriate food preserving conditions and not cleaning the inner surface of the refrigerator as required can bring forth the problem of odour. Pay attention to following to avoid this problem:

- Keeping the refrigerator clean is important.

Food residuals, stains, etc. can cause odour. Therefore, clean the refrigerator with carbonate dissolved in water every 15 days. Never use detergents or soap.

- Keep the food in closed containers. Microorganisms spreading out from uncovered containers can cause unpleasant odours.
- Never keep the food that have expired best before dates and spoiled in the refrigerator.

Protection of plastic surfaces

- C** Do not put the liquid oils or oil-cooked meals in your refrigerator in unsealed containers as they damage the plastic surfaces of your refrigerator. In case of spilling or smearing oil on the plastic surfaces, clean and rinse the relevant part of the surface at once with warm water.

7 Troubleshooting

Please review this list before calling the service. It will save your time and money. This list includes frequent complaints that are not arising from defective workmanship or material usage. Some of the features described here may not exist in your product.

The refrigerator does not operate.

- The plug is not inserted into the socket correctly. >>>Insert the plug into the socket securely.
- The fuse of the socket which your refrigerator is connected to or the main fuse have blown out. >>>Check the fuse.

Condensation on the side wall of the fridge compartment (MULTIZONE, COOL CONTROL and FLEXI ZONE).

- Ambient is very cold. >>>Do not install the refrigerator in places where the temperature falls below 10 °C.
- Door has been opened frequently. >>>Do not open and close the door of refrigerator frequently.
- Ambient is very humid. >>>Do not install your refrigerator into highly humid places.
- Food containing liquid is stored in open containers. >>>Do not store food with liquid content in open containers.
- Door of the refrigerator is left ajar. >>>Close the door of the refrigerator.
- Thermostat is set to a very cold level. >>>Set the thermostat to a suitable level.

Compressor is not running

- Protective thermic of the compressor will blow out during sudden power failures or plug-out plug-ins as the refrigerant pressure in the cooling system of the refrigerator has not been balanced yet. The refrigerator will start running approximately after 6 minutes. Please call the service if the refrigerator does not startup at the end of this period.
- The fridge is in defrost cycle. >>>This is normal for a full-automatically defrosting refrigerator. Defrosting cycle occurs periodically.
- The refrigerator is not plugged into the socket. >>>Make sure that the plug is fit into the socket.
- Temperature settings are not made correctly. >>>Select the suitable temperature value.
- There is a power outage. >>>Refrigerator returns to normal operation when the power restores.

The operation noise increases when the refrigerator is running.

- The operating performance of the refrigerator may change due to the changes in the ambient temperature. It is normal and not a fault.

The refrigerator is running frequently or for a long time.

- New product may be wider than the previous one. Larger refrigerators operate for a longer period of time.
- The room temperature may be high. >>>It is normal that the product operates for longer periods in hot ambient.
- The refrigerator might be plugged in recently or might be loaded with food. >>>When the refrigerator is plugged in or loaded with food recently, it will take longer for it to attain the set temperature. This is normal.
- Large amounts of hot food might be put in the refrigerator recently. >>>Do not put hot food into the refrigerator.
- Doors might be opened frequently or left ajar for a long time. >>>The warm air that has entered into the refrigerator causes the refrigerator to run for longer periods. Do not open the doors frequently.
- Freezer or fridge compartment door might be left ajar. >>>Check if the doors are closed completely.
- The refrigerator is adjusted to a very low temperature. >>>Adjust the refrigerator temperature to a warmer degree and wait until the temperature is achieved.
- Door seal of the fridge or freezer may be soiled, worn out, broken or not properly seated. >>>Clean or replace the seal. Damaged/broken seal causes the refrigerator to run for a longer period of time in order to maintain the current temperature.

Freezer temperature is very low while the fridge temperature is sufficient.

- The freezer temperature is adjusted to a very low value. >>>Adjust the freezer temperature to a warmer degree and check.

Fridge temperature is very low while the freezer temperature is sufficient.

- The fridge temperature is adjusted to a very low value. >>>Adjust the fridge temperature to a warmer degree and check.

Food kept in the fridge compartment drawers is frozen.

- The fridge temperature is adjusted to a very high value. >>>Adjust the fridge temperature to a lower value and check.

Temperature in the fridge or freezer is very high.

- The fridge temperature is adjusted to a very high value. >>>Fridge compartment temperature setting has an effect on the temperature of the freezer. Change the temperatures of the fridge or freezer and wait until the relevant compartments attain a sufficient temperature.
- Doors are opened frequently or left ajar for a long time. >>>Do not open the doors frequently.
- Door is ajar. >>>Close the door completely.
- The refrigerator is plugged in or loaded with food recently. >>>This is normal. When the refrigerator is plugged in or loaded with food recently, it will take longer for it to attain the set temperature.
- Large amounts of hot food might be put in the refrigerator recently. >>>Do not put hot food into the refrigerator.

Vibrations or noise.
<ul style="list-style-type: none"> • The floor is not level or stable. >>> If the refrigerator rocks when moved slowly, balance it by adjusting its feet. Also make sure that the floor is strong enough to carry the refrigerator, and level. • The items put onto the refrigerator may cause noise. >>>Remove the items on top of the refrigerator.
There are noises coming from the refrigerator like liquid flowing, spraying, etc.
<ul style="list-style-type: none"> • Liquid and gas flows occur in accordance with the operating principles of your refrigerator. It is normal and not a fault.
Whistle comes from the refrigerator.
<ul style="list-style-type: none"> • Fans are used in order to cool the refrigerator. It is normal and not a fault.
Condensation on the inner walls of refrigerator.
<ul style="list-style-type: none"> • Hot and humid weather increases icing and condensation. It is normal and not a fault. • Doors are opened frequently or left ajar for a long time. >>>Do not open the doors frequently. Close them if they are open. • Door is ajar. >>>Close the door completely.
Humidity occurs on the outside of the refrigerator or between the doors.
<ul style="list-style-type: none"> • There might be humidity in the air; this is quite normal in humid weather. When the humidity is less, condensation will disappear.
Bad odour inside the refrigerator.
<ul style="list-style-type: none"> • No regular cleaning is performed. >>>Clean the inside of the refrigerator regularly with a sponge, lukewarm water or carbonate dissolved in water. • Some containers or package materials may cause the smell. >>>Use a different container or different brand packaging material. • Food is put into the refrigerator in uncovered containers. >>>Keep the food in closed containers. Microorganisms spreading out from uncovered containers can cause unpleasant odours. • Remove the foods that have expired best before dates and spoiled from the refrigerator.
The door is not closing.
<ul style="list-style-type: none"> • Food packages are preventing the door from closing. >>>Replace the packages that are obstructing the door. • The refrigerator is not completely even on the floor. >>>Adjust the feet to balance the refrigerator. • The floor is not level or strong. >>>Make sure that the floor is level and capable to carry the refrigerator.
Crispers are stuck.
<ul style="list-style-type: none"> • The food is touching the ceiling of the drawer. >>>Rearrange food in the drawer.

Veillez d'abord lire ce manuel d'utilisation !

Cher client,

Nous espérons que votre produit, qui a été fabriqué dans des usines modernes et vérifié au terme des procédures de contrôle de qualité les plus méticuleuses, vous rendra satisfaction.

Veillez donc lire attentivement l'intégralité de ce manuel avant de commencer à utiliser le produit et conservez-le manuel comme référence. Si vous remettez cet appareil à quelqu'un d'autre, remettez-lui également le manuel d'utilisation.

Le présent manuel vous aidera à utiliser votre produit en toute sécurité et efficacement.

- Veuillez lire le manuel avant l'installation et l'utilisation du produit.
- Veuillez lire les instructions de sécurité.
- Conservez ce manuel dans un endroit facilement accessible car vous pourriez en avoir besoin ultérieurement.
- Lisez également la documentation fournie avec le produit.

N'oubliez pas que le présent manuel d'utilisation est également valable pour plusieurs autres modèles. Les différences entre les différents modèles seront identifiées dans le manuel.

Explication des symboles

Les symboles ci-après sont utilisés dans le manuel d'utilisation :

C Informations importantes ou astuces.

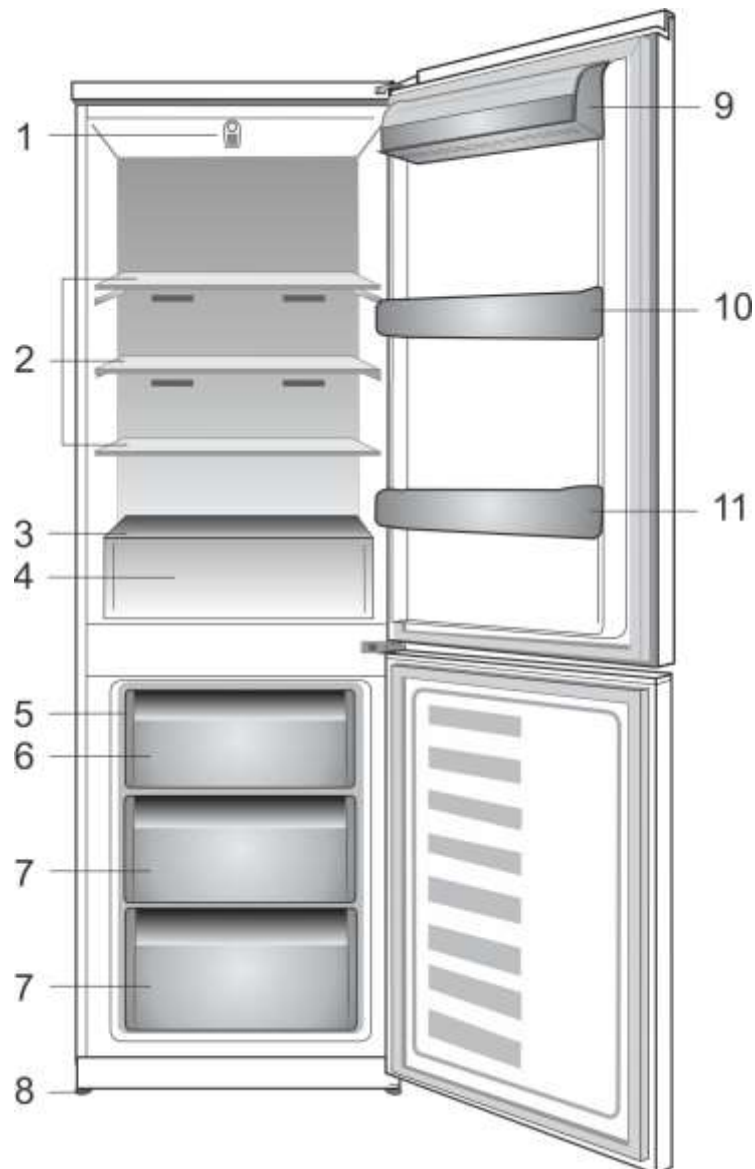
A Avertissement relatif aux conditions dangereuses pour la vie et la propriété.

B Avertissement relatif à la tension électrique.

TABLE DES MATIÈRES

<u>1</u>	<u>1</u>	<u>3</u>	<u>4</u>	<u>11</u>
<u>2</u>	<u>Précautions de sécurité</u>		<u>5</u>	<u>12</u>
	<u>importantes</u>	<u>4</u>	Réglage de la température	12
	Utilisation préconisée.....	4	Utilisation des compartiments	
	Sécurité générale.....	4	intérieurs.....	12
	Pour les appareils dotés d'une fontaine		Congélation d'aliments frais.....	13
	à eau reliée à l'eau courante.....	6	Recommandations concernant la	
	Sécurité enfants.....	6	conservation des aliments congelés.....	13
	Conformité avec la réglementation		Recommandations relatives au	
	DEEE et mise au rebut des déchets.....	6	compartiment 0/3 degré	15
	Informations relatives à l'emballage.....	7	Réversibilité des portes.....	15
	Avertissement sur l'usage de			
	fluides frigorigènes.....	7	<u>6</u>	<u>16</u>
	Mesures d'économie d'énergie.....	7	<u>Entretien et nettoyage</u>	
			Protection des surfaces en	
			Plastique.....	16
<u>3</u>	<u>Installation</u>	<u>8</u>		
	Éléments à prendre en considération		<u>7</u>	<u>17</u>
	lors du déménagement de votre		<u>Dépannage</u>	
	réfrigérateur.....	8		
	Avant de mettre votre réfrigérateur en			
	marche.....	8		
	Branchement électrique.....	9		
	Mise au rebut de l'emballage.....	9		
	Mise au rebut de votre ancien			
	réfrigérateur.....	9		
	Disposition et Installation.....	9		
	Remplacement de l'ampoule	10		
	Réglage des pieds.....	10		

1 Votre réfrigérateur



1. Manette de réglage et éclairage intérieur
2. Clayettes réglables
3. Couvercle
4. Bac à légumes
5. Bac à glaçons et support
6. Compartiment de congélation rapide
7. Compartiment de conservation des aliments congelés
8. Pieds avant réglables
9. Compartiment des produits laitiers
10. Balconnet à bocaux
11. Clayette porte bouteilles

C Les illustrations présentées dans cette notice d'utilisation sont schématiques et peuvent ne pas correspondre exactement à votre produit. Si certains fonctions ne sont pas inclus dans le produit que vous avez acheté, ils concerneront d'autres modèles.

2 Précautions de sécurité importantes

Veillez examiner les informations suivantes :

Le non respect de ces consignes peut entraîner des blessures ou dommages matériels.

Sinon, tout engagement lié à la garantie et à la fiabilité du produit devient invalide.

Les pièces détachées d'origine sont disponibles pendant 10 ans, à compter de la date d'achat du produit.

Utilisation préconisée

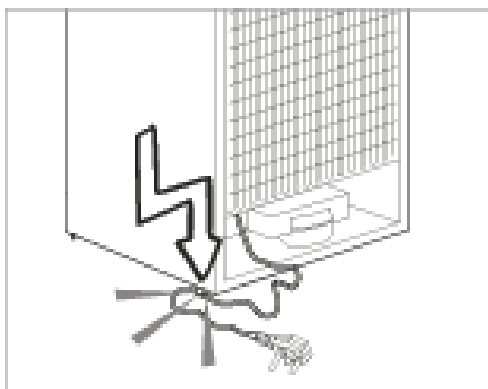
- Ce produit est prévu pour une utilisation
- en intérieur et dans des zones fermées telles que les maisons ;
- dans les environnements de travail fermés, tels que les magasins et les bureaux ;
- dans les lieux d'hébergement fermés, tels que les fermes, hôtels, pensions.
- Il ne doit en conséquence pas être utilisé à l'extérieur.

Sécurité générale

- Avant de vous débarrasser de votre appareil, veuillez consulter les autorités locales ou votre revendeur pour connaître le mode opératoire et les organismes agréés de collecte.
- Consultez le service après-vente agréé concernant toutes questions ou problèmes relatifs au réfrigérateur. N'intervenez pas ou ne laissez personne intervenir sur le réfrigérateur sans le communiquer au service après-vente agréé.
- Pour les produits équipés d'un compartiment congélateur ; ne mangez pas de cônes de crème glacée ou des glaçons immédiatement après les avoir sortis du compartiment de congélation ! (Cela pourrait provoquer des engelures dans votre bouche).

- Pour les produits équipés d'un compartiment congélateur ; ne placez pas de boissons en bouteilles ou en canette dans le congélateur. Cela peut entraîner leur éclatement.
- Ne touchez pas des produits congelés avec les mains, ils pourraient se coller à celles-ci.
- Débranchez votre réfrigérateur avant de le nettoyer ou de le dégivrer.
- La vapeur et des matériaux de nettoyage pulvérisés ne doivent jamais être utilisés pour les processus de nettoyage ou de dégivrage de votre réfrigérateur. La vapeur pourrait pénétrer dans les pièces électriques et provoquer des courts-circuits ou des électrocutions.
- Ne jamais utiliser les pièces de votre réfrigérateur telles que la plaque de protection ou la porte, comme un support ou une marche.
- N'utilisez pas d'appareils électriques à l'intérieur du réfrigérateur.
- N'endommagez pas les pièces où circule le liquide réfrigérant avec des outils de forage ou coupants. Le liquide réfrigérant qui pourrait s'échapper si les canalisations de gaz de l'évaporateur, les rallonges de tuyau ou les revêtements de surface étaient percés, peut irriter la peau et provoquer des blessures aux yeux.
- Ne pas couvrir ou obstruer les orifices de ventilation du réfrigérateur.
- Les appareils électriques peuvent être réparés seulement par des personnes autorisées. Les réparations réalisées par des personnes ne présentant pas les compétences requises peuvent présenter un risque pour l'utilisateur.

- En cas de dysfonctionnement ou lors d'opérations d'entretien ou de réparation, débranchez l'alimentation électrique du réfrigérateur soit en désactivant le fusible correspondant, soit en débranchant l'appareil.
- Ne tirez pas sur le câble lorsque vous débranchez la prise.
- Placez les boissons alcoolisées verticalement, dans des récipients convenablement fermés.
- Ne conservez jamais des aérosols contenant des substances inflammables et explosives dans le réfrigérateur.
- N'utilisez pas d'outils mécaniques ou autres moyens pour accélérer le processus de décongélation autres que ceux qui sont recommandés par le fabricant.
- Ce produit n'est pas conçu pour être utilisé par des personnes (enfants compris) souffrant de déficience physique, sensorielle, mentale, ou inexpérimentées, à moins d'avoir obtenu une autorisation auprès des personnes responsables de leur sécurité.
- Ne faites pas fonctionner un réfrigérateur endommagé. Consultez le service agréé en cas de problème.
- La sécurité électrique du réfrigérateur n'est assurée que si le système de mise à la terre de votre domicile est conforme aux normes en vigueur.
- L'exposition du produit à la pluie, la neige, au soleil ou au vent présente des risques concernant la sécurité électrique.
- Contactez le service agréé quand un câble d'alimentation est endommagé pour éviter tout danger.
- Ne branchez jamais le réfrigérateur à la prise murale au cours de l'installation. Vous vous exposeriez à un risque de mort ou à de blessures graves.
- Ce réfrigérateur est conçu seulement pour conserver des aliments. Par conséquent, il ne doit pas être utilisé à d'autres fins.
- L'étiquette avec les caractéristiques techniques est située sur le mur gauche à l'intérieur du réfrigérateur.
- Ne branchez jamais votre réfrigérateur à des systèmes d'économie d'énergie, cela peut l'endommager.
- S'il y a une bluelight sur le réfrigérateur, ne la regardez pas avec des outils optiques.
- Pour les réfrigérateurs contrôlés manuellement, attendez au moins 5 minutes pour allumer le réfrigérateur après une coupure de courant.
- Si cet appareil venait à changer de propriétaire, n'oubliez pas de remettre la présente notice d'utilisation au nouveau bénéficiaire.
- Évitez d'endommager le câble d'alimentation quand vous transportez le réfrigérateur. Tordre le câble peut entraîner un incendie. Ne placez jamais des objets lourds sur le câble d'alimentation.
- Évitez de toucher à la prise avec des mains mouillées au moment de brancher l'appareil.



- Évitez de brancher le réfrigérateur lorsque la prise de courant électrique a lâché.
- Pour des raisons de sécurité, évitez de pulvériser directement de l'eau sur les parties externes et internes du réfrigérateur.

- Ne pulvérisez pas de substances contenant des gaz inflammables comme du propane près du réfrigérateur pour éviter tout risque d'incendie et d'explosion.
- Ne placez jamais de récipients contenant de l'eau sur votre réfrigérateur, ils pourraient causer des chocs électriques ou un incendie.
- Évitez de surcharger le réfrigérateur avec une quantité excessive d'aliments. S'il est surchargé, les aliments peuvent tomber, vous blesser et endommager le réfrigérateur quand vous ouvrez la porte.
- Ne placez jamais d'objets au-dessus du réfrigérateur, ils pourraient tomber quand vous ouvrez ou fermez la porte du réfrigérateur.
- Les produits qui nécessitent un contrôle de température précis (vaccin, médicament sensible à la chaleur, matériels scientifiques, etc.) ne doivent pas être conservés dans le réfrigérateur..
- Si le réfrigérateur n'est pas utilisé pendant longtemps, il doit être débranché. Un éventuel problème avec le câble d'alimentation pourrait causer un incendie.
- Le bout de la prise électrique doit être nettoyé régulièrement à l'aide d'un chiffon sec, sinon il peut provoquer un incendie.
- Le réfrigérateur peut bouger si ses pieds réglables ne sont pas bien fixés sur le sol. Bien fixer les pieds réglables sur le sol peut empêcher le réfrigérateur de bouger.
- Quand vous transportez le réfrigérateur, ne le tenez pas par la poignée de la porte. Cela peut l'endommager.
- Quand vous devez placer votre produit près d'un autre réfrigérateur ou congélateur, la distance entre les appareils doit être d'au moins 8 cm. Sinon, les murs adjacents peuvent être humidifiés.

Pour les appareils dotés d'une fontaine à eau reliée à l'eau courante;

La pression de l'alimentation en eau doit être au minimum de 1 bar. La pression de l'alimentation en eau doit être au maximum de 8 bars.


- Utilisez uniquement de l'eau potable.

Sécurité enfants

- Si la porte a un verrouillage, la clé doit rester hors de portée des enfants.
- Les enfants doivent être surveillés et empêchés de s'amuser avec le produit.

Conformité avec la réglementation DEEE et mise au rebut des déchets



Le symbole  sur le produit ou sur son emballage indique que ledit produit peut ne pas être traité comme ordure ménagère. Au contraire, il sera remis au point de collecte approprié pour les équipements électriques et électroniques. En s'assurant que le présent produit est correctement mis au rebut, vous aiderez ainsi à éviter de potentielles conséquences négatives pour l'environnement et la santé humaine qu'une mauvaise mise au rebut aurait par ailleurs entraîné. Pour plus d'informations relatives au recyclage de ce produit, veuillez contacter les autorités de votre localité, les services chargés de la mise au rebut de vos ordures ménagères ou le magasin dans lequel vous avez acheté le produit.

Informations relatives à l'emballage

Les matériaux d'emballage de cet appareil sont fabriqués à partir de matériaux recyclables, conformément à nos Réglementations Nationales en Environnement. Ne mélangez pas les matériaux d'emballage avec les déchets domestiques ou d'autres déchets. Amenez-les aux points de collecte des matériaux d'emballage, désignés par les autorités locales.

N'oubliez pas...

Pour la préservation de la nature et de notre santé, il est indispensable de recycler les matières.

Si vous voulez contribuer au recyclage des matériaux d'emballage, vous pouvez vous renseigner auprès d'organisations environnementales ou de l'autorité locale proche de votre domicile.

Avertissement sur l'usage de fluides frigorigènes

Si le système de refroidissement de votre appareil contient R600a :

Ce gaz est inflammable. Par conséquent, veuillez prendre garde à ne pas endommager le système de refroidissement et les tuyauteries lors de son utilisation ou de son transport. En cas de dommages, éloignez votre produit de toute source potentielle de flammes susceptible de provoquer l'incendie de l'appareil. De même, placez le produit dans une pièce aérée.

Le type de gaz utilisé dans l'appareil est mentionné sur la plaque signalétique située sur la paroi gauche de l'intérieur du réfrigérateur.

Ne jetez jamais l'appareil au feu pour vous en débarrasser.

Mesures d'économie d'énergie

Vous pouvez bénéficier de la capacité maximale de stockage des denrées en vous servant uniquement des clayettes du haut et du milieu du réfrigérateur sans vous servir des tiroirs. Le tiroir du bas doit toujours rester en place pour entreposer des denrées alimentaires. La consommation d'énergie de votre réfrigérateur est mesurée et déclarée lorsque la quantité maximale de denrées alimentaires est entreposée sur les clayettes du haut et du milieu de l'appareil. Pour faire des économies d'énergie, le ventilateur du congélateur doit toujours rester visible et la circulation de l'air ne doit pas être bloquée par la présence de denrées dans le compartiment congélateur.

3 Installation

B Dans l'hypothèse ou l'information contenue dans ce manuel n'a pas été prise en compte par l'utilisateur, le fabricant ne sera aucunement responsable en cas de problèmes.

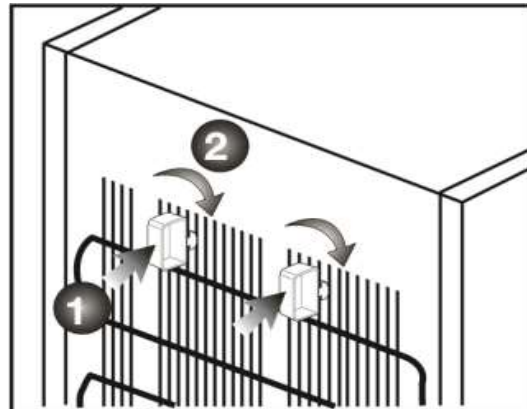
Éléments à prendre en considération lors du déménagement de votre réfrigérateur

1. Votre réfrigérateur doit être débranché.
Avant le transport de votre réfrigérateur, vous devez le vider et le nettoyer
2. Avant d'emballer votre réfrigérateur, vous devez fixer ses étagères, bac, accessoires, etc, avec du ruban adhésif afin de les protéger contre les chocs. L'emballage doit être solidement attaché avec du ruban adhésif épais ou avec un cordage solide. La réglementation en matière de transport et de marquage de l'emballage doit être strictement respectée.
3. L'emballage et les matériaux de protection d'emballage doivent être conservés pour les éventuels transports ou déplacements à venir.

Avant de mettre votre réfrigérateur en marche,

Vérifiez les points suivants avant de commencer à utiliser votre réfrigérateur :

1. Fixez les câles en plastique tel qu'indiqué sur le schéma ci-dessous. Les câles en plastique servent à maintenir une distance permettant la circulation de l'air entre le réfrigérateur et le mur. (Cette image n'est donnée qu'à titre indicatif ; elle n'est pas identique à votre produit.)



2. Nettoyez l'intérieur du réfrigérateur tel qu'indiqué dans la section « Entretien et nettoyage ».
3. Insérez la prise du réfrigérateur dans la prise murale. Lorsque la porte du réfrigérateur est ouverte, la lampe interne du réfrigérateur s'éclaire.
4. Lorsque le compresseur commence à fonctionner, il émettra un son. Le liquide et les gaz intégrés au système du réfrigérateur peuvent également faire du bruit, que le compresseur soit en marche ou non. Ceci est tout à fait normal.
5. Les parties antérieures du réfrigérateur peuvent chauffer. Ce phénomène est normal. Ces zones doivent en principe être chaudes pour éviter tout risque de condensation.

Branchement électrique

Branchez votre réfrigérateur à une prise de mise à la terre protégée par un fusible ayant une capacité appropriée.

Important :

Le branchement doit être conforme aux normes en vigueur sur le territoire national.

- La fiche du câble d'alimentation doit être facilement accessible après installation.
- La sécurité électrique du réfrigérateur n'est assurée que si le système de mise à la terre de votre domicile est conforme aux normes en vigueur.
- La tension indiquée sur l'étiquette située sur la paroi gauche interne de votre produit doit correspondre à celle fournie par votre réseau électrique.
- **Les rallonges et multiprises ne doivent pas être utilisés pour brancher l'appareil.**

B Un câble d'alimentation endommagé doit être remplacé par un électricien qualifié.

B L'appareil ne doit pas être mis en service avant d'être réparé ! Cette précaution permet d'éviter tout risque de choc électrique !

Mise au rebut de l'emballage

Les matériaux d'emballage peuvent être dangereux pour les enfants. Tenez les matériaux d'emballage hors de portée des enfants ou jetez-les conformément aux consignes établies par les autorités locales en matière de déchets. Ne les jetez pas avec les déchets domestiques, déposez-les dans les centres de collecte désignés par les autorités locales.

L'emballage de votre appareil est produit à partir de matériaux recyclables.

Mise au rebut de votre ancien réfrigérateur

Débarrassez-vous de votre ancien réfrigérateur sans nuire à l'environnement.

- Vous pouvez consulter le service après-vente agréé ou le centre chargé de la mise au rebut dans votre municipalité pour en savoir plus sur la mise au rebut de votre produit.

Avant de procéder à la mise au rebut de votre machine, coupez la prise électrique et, le cas échéant, tout verrouillage susceptible de se trouver sur la porte. Rendez-les inopérants afin de ne pas exposer les enfants à d'éventuels dangers.

Disposition et Installation

A Si la porte d'entrée de la pièce où sera installé le réfrigérateur n'est pas assez large pour laisser passer le réfrigérateur, appelez le service après-vente qui retirera les portes du réfrigérateur et le fera entrer latéralement dans la pièce.

1. Installez le réfrigérateur dans un emplacement qui permette une utilisation pratique.
2. Maintenez le réfrigérateur éloigné de toutes sources de chaleur, des endroits humides et de la lumière directe du soleil.
3. Une ventilation d'air autour du réfrigérateur doit être aménagée pour obtenir un fonctionnement efficace. Si le réfrigérateur est placé dans un enfoncement du mur, il doit y avoir un espace d'au moins 5 cm avec le plafond et d'au moins 5 cm avec le mur. Ne placez pas l'appareil sur des revêtements tels qu'un tapis ou de la moquette.
4. Placez le réfrigérateur sur une surface plane afin qu'il soit stable.

Remplacement de l'ampoule

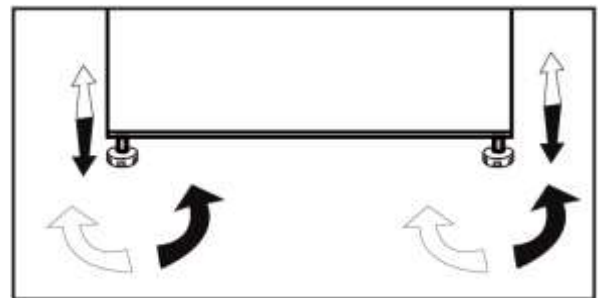
Pour remplacer l'ampoule LED du réfrigérateur, veuillez contacter le service après-vente agréé.

L'ampoule utilisée dans cet appareil ne convient pas pour l'éclairage de la cuisine. Le but visé par cette lampe est d'aider à l'utilisateur de placer les aliments dans le réfrigérateur / congélateur d'une manière sûre et confortable. Les voyants utilisés dans cet appareil doivent résister aux conditions physiques extrêmes telles que des températures inférieures à -20°C.

Réglage des pieds

Si le réfrigérateur n'est pas stable.

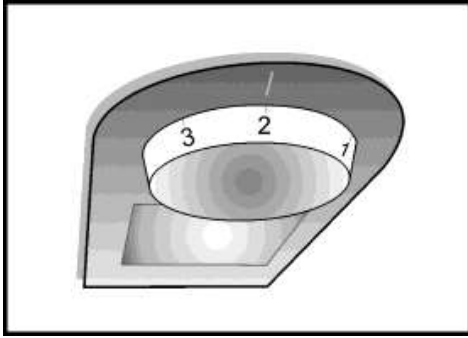
Vous pouvez équilibrer le réfrigérateur en tournant les pieds avant, tel qu'illustré sur le schéma. Le côté où se trouve le pied s'abaisse lorsque vous tournez dans le sens de la flèche noire, et s'élève lorsque vous tournez dans le sens opposé. Si vous vous faites aider par quelqu'un pour légèrement soulever le réfrigérateur, l'opération s'en trouvera simplifiée.



4 Préparation

- Votre réfrigérateur doit être installé à au moins 30 cm des sources de chaleur telles que les plaques de cuisson, les fours, appareils de chauffage ou cuisinières, et à au moins 5 cm des fours électriques. De même, il ne doit pas être exposé à la lumière directe du soleil.
- Veuillez vous assurer que l'intérieur de votre appareil est soigneusement nettoyé.
- Si deux réfrigérateurs sont installés côte à côte, ils doivent être séparés d'au moins 2 cm.
- Lorsque vous faites fonctionner le réfrigérateur pour la première fois, assurez-vous de suivre les instructions suivantes pendant les six premières heures.
- La porte ne doit pas être ouverte fréquemment.
- Le réfrigérateur doit fonctionner à vide, sans denrées à l'intérieur.
- Panne de courant se produit, veuillez vous reporter aux avertissements de la section « Solutions recommandées aux problèmes ».
- Ce produit a été conçu pour fonctionner à une température ambiante pouvant atteindre 43 °C (110 °F).

5 Utilisation du réfrigérateur



Réglage de la température

La commande du thermostat se trouve sur le bandeau supérieur du réfrigérateur.

Important:

Lorsque vous ajustez la température définie sur la touche congélation rapide, il peut y avoir un délai avant que le compresseur se mette en marche. Cela est normal et n'est pas un défaut du compresseur.

La température intérieure est réglée par le thermostat.

Les températures obtenues à l'intérieur de l'armoire peuvent varier en fonction des conditions d'utilisation: emplacement, température ambiante, fréquence de l'ouverture des portes, quantité de denrées à l'intérieur.

En général, pour une température ambiante de +25°C, la manette du thermostat sera placée sur une position moyenne.

Le thermostat assure aussi le dégivrage automatique de la partie réfrigérateur.

Évitez un réglage qui pourrait provoquer une marche continue : la température intérieure pourrait baisser en dessous de 0°C d'où un risque de prise en glace des boissons et une formation excessive de givre sur les parois ainsi qu'une augmentation de la consommation d'électricité.

Utilisation des compartiments intérieurs

Étagères : L'écart entre les étagères peut être réglé si nécessaire.

Bac à légumes : Les fruits et légumes peuvent être conservés dans ce compartiment pendant de longues périodes sans se détériorer.

Clayette porte bouteilles: Les bouteilles, bocaux et les canettes peuvent être placés dans ces étagères.

Congélation d'aliments frais

- Enveloppez ou couvrez vos aliments avant de les placer au réfrigérateur.
 - Laissez refroidir les aliments à la température ambiante avant de les introduire dans le réfrigérateur.
 - Les denrées que vous souhaitez surgeler doivent être fraîches et en bon état.
 - Il est conseillé de séparer les denrées en portions en fonction des besoins quotidiens de votre famille ou par repas.
 - Les denrées doivent être emballées hermétiquement afin d'éviter qu'elles ne s'assèchent, même si elles ne doivent être conservées qu'une courte période.
 - Les matériaux servant à emballer vos denrées doivent résister au froid et à l'humidité, et doivent être hermétiques. Le matériau d'emballage de vos denrées doit être suffisamment épais et doit pouvoir être conservé sur une longue période. Dans le cas contraire, les denrées endurcies par la congélation pourraient perforer l'emballage. Il est essentiel pour l'emballage d'être bien fermé pour une conservation sécurisée de vos denrées.
 - Les aliments congelés doivent être consommés immédiatement après leur décongélation et ils ne doivent pas être recongelés.
- Veuillez respecter les instructions suivantes afin d'obtenir les meilleurs résultats.
 1. Ne congelez pas une quantité trop importante à la fois. La qualité des aliments est préservée de façon optimale lorsqu'ils sont entièrement congelés aussi rapidement que possible.
 2. Faites particulièrement attention à ne pas mélanger les produits déjà congelés et les produits frais.
 3. Assurez-vous que les aliments crus ne sont pas en contact avec les cuits dans le réfrigérateur.

Recommandations concernant la conservation des aliments congelés

● Les aliments vendus préemballés et surgelés doivent être conservés conformément aux instructions du fabricant de produits congelés, dans le compartiment destiné au stockage des produits congelés.

● Afin de veiller à ce que la qualité supérieure recherchée par le fabricant et le détaillant des produits congelés soit atteinte, il convient de se rappeler les points suivants :

1. Mettre les emballages dans le congélateur aussi rapidement que possible après achat.

2. Assurez-vous que le contenu emballé est correctement étiqueté et daté.

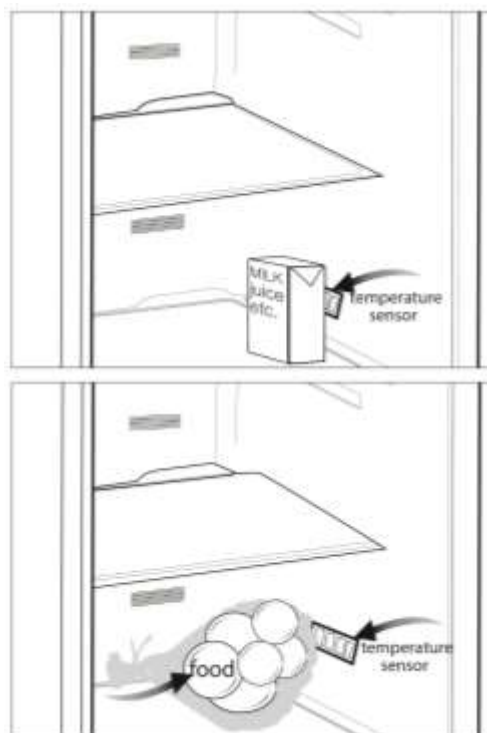
3. Ne dépassez pas les dates « à consommer jusqu'au » et « à consommer de préférence avant le » figurant sur l'emballage.

Recommandations relatives au compartiment 0/3 degré

*en option

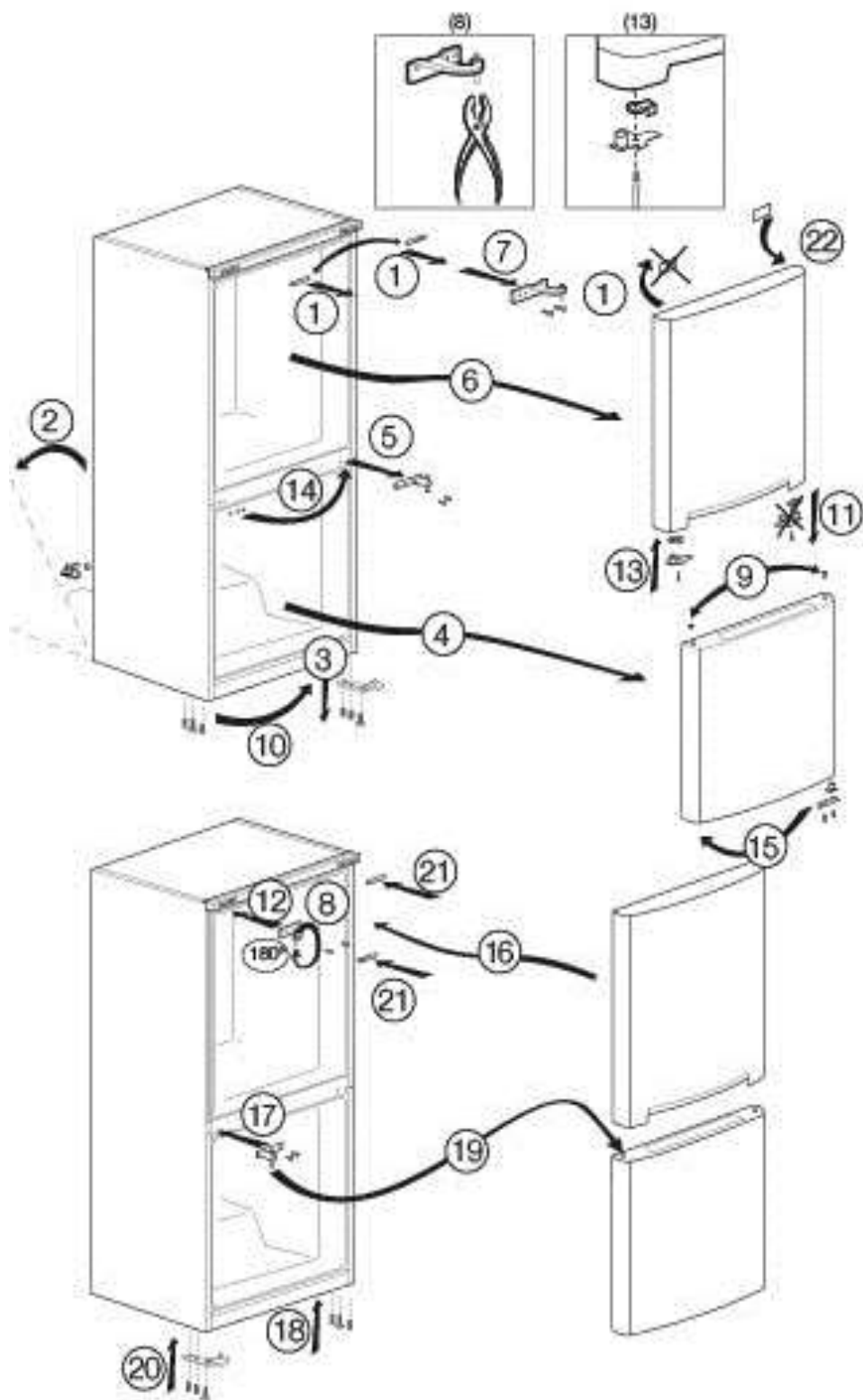
• Faites attention à ce que les aliments ne touchent pas le capteur de température dans le compartiment 0/3 degré. Pour que le compartiment 0/3 degré conserve sa température idéale, le capteur ne doit pas être encombré par des aliments.

• Ne placez pas de denrées chaudes dans votre appareil.



Réversibilité des portes

Procédez dans l'ordre numérique



- A** N'utilisez jamais d'essence, de benzène ou de matériaux similaires pour le nettoyage.
- B** Nous vous recommandons de débrancher l'appareil avant de procéder au nettoyage.
- B** N'utilisez jamais d'ustensiles tranchants, savon, produit de nettoyage domestique, détergent et cirage pour le nettoyage.
- C** Utilisez de l'eau tiède pour nettoyer la carrosserie du réfrigérateur et séchez-la soigneusement à l'aide d'un chiffon.
- C** Utilisez un chiffon humide imbibé d'une solution composée d'une cuillère à café de bicarbonate de soude pour un demi litre d'eau pour nettoyer l'intérieur et séchez soigneusement.
- B** Ne faites pas couler d'eau dans le logement de la lampe et dans d'autres éléments électriques.
- B** En cas de non utilisation de votre réfrigérateur pendant une période prolongée, débranchez le câble d'alimentation, sortez toutes les denrées, nettoyez-le et laissez la porte entrouverte.
- C** Inspectez les joints de porte régulièrement pour vérifier qu'ils sont propres et qu'il n'y a pas de particules de nourriture.
- A** Pour retirer les balconnets de portes, sortez tout son contenu puis poussez simplement le balconnet vers le haut à partir de la base.
- A** N'utilisez jamais de produits nettoyants ou de l'eau contenant du chlore pour le nettoyage des surfaces externes et des pièces chromées du produit. Le chlore entraîne la corrosion de ces surfaces métalliques.

Protection des surfaces en plastique

- C** Ne placez pas d'huiles ou de plats huileux dans le congélateur / réfrigérateur dans des récipients non fermés, car les graisses peuvent endommager les surfaces en plastique du congélateur / réfrigérateur. Si vous versez ou éclaboussez de l'huile sur les surfaces en plastique, nettoyez et lavez les parties souillées avec de l'eau chaude immédiatement.

7 Dépannage

Veillez vérifier la liste suivante avant d'appeler le service après-vente. Cela peut vous faire économiser du temps et de l'argent. Cette liste regroupe les problèmes les plus fréquents ne provenant pas d'un défaut de fabrication ou d'utilisation du matériel. Il se peut que certaines des fonctions décrites ne soient pas présentes sur votre produit.

Le réfrigérateur ne fonctionne pas.

- La fiche n'est pas insérée correctement dans la prise de courant. >>>Insérez correctement la fiche dans la prise de courant.
- Est-ce que le fusible ou la douille de raccord du réfrigérateur sont connectés ou est-ce que le fusible principal a sauté ? >>>Vérifiez le fusible.

Condensation sur la paroi intérieure du compartiment réfrigérateur. (MULTIZONE, COOL CONTROL et FLEXI ZONE).

- La température ambiante est très froide >>>N'installez pas le réfrigérateur dans des endroits où la température peut être inférieure à 10 °C.
- La porte a été ouverte souvent. >>>Évitez d'ouvrir et de fermer trop fréquemment la porte du réfrigérateur.
- L'environnement est très humide. >>>N'installez pas votre réfrigérateur dans des endroits très humides.
- La nourriture contenant du liquide est conservée dans des récipients ouverts. >>>Ne conservez pas de la nourriture contenant du liquide dans des récipients ouverts.
- La porte du réfrigérateur est laissée entrouverte. >>>Fermez la porte du réfrigérateur.
- Le thermostat est réglé à un niveau très froid. >>>Réglez le thermostat à un niveau adapté.

Le compresseur ne fonctionne pas.

- Le dispositif de protection thermique du compresseur sautera en cas de coupures soudaines du courant ou de débranchement intempestif, en effet la pression du liquide réfrigérant du système de refroidissement ne sera pas équilibrée. Le réfrigérateur recommencera à fonctionner normalement après 6 minutes environ. Veuillez contacter le service après-vente si le réfrigérateur ne redémarre pas après cette période.
- Le réfrigérateur est en mode de dégivrage. >>>Cela est normal pour un réfrigérateur à dégivrage semi-automatique. Le cycle de dégivrage se déclenche régulièrement.
- Le réfrigérateur n'est pas branché à la prise. >>>Assurez-vous que la prise est branchée dans la prise murale.
- Les réglages de température ne sont pas effectués correctement. >>>Sélectionnez la température appropriée.
- Il y a une panne de courant. >>>Le réfrigérateur recommence à fonctionner normalement après le retour du courant.

Le niveau sonore augmente lorsque le réfrigérateur est en marche.

- Les caractéristiques de performance du réfrigérateur peuvent changer en raison des variations de la température ambiante. Cela est normal et n'est pas un défaut.

Le réfrigérateur fonctionne fréquemment ou pendant de longues périodes.

- Votre nouveau réfrigérateur est peut être plus large que l'ancien. Les grands réfrigérateurs durent plus longtemps.
 - La température de la pièce est probablement **élevée**. >>>Il est normal que l'appareil fonctionne plus longtemps quand la température ambiante est élevée.
- Le réfrigérateur pourrait y avoir été branché tout récemment ou pourrait avoir été chargé de denrées alimentaires.

>>>Quand le réfrigérateur a été branché ou récemment rempli avec de la nourriture, il met plus de temps à atteindre la température réglée. Ce phénomène est normal.
- D'importantes quantités de denrées chaudes ont peut être été introduites dans le réfrigérateur récemment. >>>Ne mettez pas de nourriture chaude dans le réfrigérateur.
- Les portes ont peut être été ouvertes fréquemment ou laissées entrouvertes pendant une durée prolongée. >>>L'air chaud qui entre dans l'appareil oblige le réfrigérateur à travailler sur de plus longues périodes. N'ouvrez pas les portes fréquemment.
- La porte du congélateur ou du réfrigérateur est probablement entrouverte. >>>Vérifiez que les portes sont bien fermées.
- Le réfrigérateur est réglé à une température très basse. >>>Réglez la température du réfrigérateur à un degré supérieur et attendez que la température réglée soit atteinte.
- Le joint de la porte du réfrigérateur ou du congélateur peut être sale, déchiré, rompu ou mal en place. >>>Nettoyez ou remplacez le joint. Tout joint endommagé/déchiré fait fonctionner le réfrigérateur pendant une période de temps plus longue afin de conserver la température actuelle.

La température du congélateur est très basse alors que celle du réfrigérateur est correcte.

- La température du congélateur est réglée à une température très basse. >>>Réglez la température du congélateur à un degré supérieur et vérifiez.

La température du réfrigérateur est très basse alors que celle du congélateur est correcte.

- La température du réfrigérateur est réglée à une température très basse. >>>Réglez la température du réfrigérateur à un degré supérieur et vérifiez.

Les denrées conservées dans les tiroirs du compartiment de réfrigération sont congelées.

- La température du réfrigérateur est réglée à une température très élevée. >>>Réglez la température du réfrigérateur à un niveau inférieur et vérifiez.

La température dans le réfrigérateur ou le congélateur est très élevée.

- La température du réfrigérateur est réglée à une température très élevée. >>>Le réglage du compartiment réfrigérant a un effet sur la température du congélateur. Changez les températures du réfrigérateur ou du congélateur et attendez que les compartiments atteignent une température suffisante.
- Les portes ont peut être été ouvertes fréquemment ou laissées entrouvertes pendant une durée prolongée. >>>N'ouvrez pas les portes fréquemment.
- La porte est entrouverte. >>>Refermez complètement la porte.
- Le réfrigérateur a été récemment branché ou rempli avec de la nourriture. >>>Ce phénomène est normal.
Lorsque le réfrigérateur vient d'être branché ou récemment rempli avec de la nourriture, il met plus de temps à atteindre la température réglée.
- D'importantes quantités de denrées chaudes ont peut être été introduites dans le réfrigérateur récemment. >>>Ne mettez pas de nourriture chaude dans le réfrigérateur.

Vibrations ou bruits

- Le sol n'est pas plat ou stable. >>>Si le réfrigérateur balance lorsqu'il est déplacé lentement, équilibrez-le en ajustant sa base. Assurez-vous que le sol est plat et suffisamment solide pour supporter le poids et le volume de l'appareil.
- Les éléments placés sur le réfrigérateur peuvent faire du bruit. >>>Enlevez les éléments du haut du réfrigérateur.

Le réfrigérateur produit des bruits semblables à de l'eau qui coule, à la pulvérisation d'un liquide, etc.

- Des écoulements de gaz et de liquides surviennent dans le réfrigérateur, de par ses principes de fonctionnement Cela est normal et n'est pas un défaut.

Un sifflement sort du réfrigérateur.

- Les ventilateurs sont utilisés pour refroidir le réfrigérateur. Cela est normal et n'est pas un défaut.

Condensation sur les parois intérieures du réfrigérateur.

- Un temps chaud et humide augmente la formation de givre et de condensation. Cela est normal et n'est pas un défaut.
- Les portes ont peut être été ouvertes fréquemment ou laissées entrouvertes pendant une durée prolongée. >>>N'ouvrez pas les portes fréquemment. Refermez-les si elles sont ouvertes.
- La porte est entrouverte. >>>Refermez complètement la porte.

De l'humidité est présente à l'extérieur ou entre les portes du réfrigérateur.

- Il y a peut être de l'humidité dans l'air ; ceci est tout à fait normal par un temps humide. Lorsque l'humidité est faible, la condensation disparaîtra.

Présence d'une mauvaise odeur dans le réfrigérateur.

- Il n'y a pas de nettoyage régulier effectué. >>>Nettoyez régulièrement l'intérieur du réfrigérateur avec une éponge, de l'eau tiède ou du carbonate dissout dans l'eau.
- Certains récipients ou matériaux d'emballage peuvent provoquer ces odeurs. >>>Utilisez un autre récipient ou changez de marque de matériau d'emballage.
- Les denrées sont mises au réfrigérateur dans des récipients sans couvercle. >>>Conservez les aliments liquides dans des récipients fermés. Les micro-organismes issus de récipients non fermés peuvent dégager des odeurs désagréables.
- Enlevez les aliments périmés et pourris du réfrigérateur.

La porte ne se ferme pas.

- Des récipients empêchent la fermeture de la porte. >>>Retirez les emballages qui obstruent la porte.
- Le réfrigérateur n'est pas complètement vertical sur le sol. >>>Ajustez les pieds du réfrigérateur pour l'équilibrer.
- Le sol n'est pas plat ou solide. >>>Assurez-vous que le sol est plat et qu'il peut supporter le poids du réfrigérateur.

Les bacs à légumes sont coincés.

- Il se peut que les denrées touchent le haut du tiroir. >>>Disposez à nouveau les denrées dans le tiroir.

Bitte lesen Sie zuerst diese Anleitung!

Lieber Kunde,

Wir sind sicher, dass Ihnen dieses Produkt, das in modernsten Fertigungsstätten hergestellt und den strengsten Qualitätsprüfungen unterzogen wurde, lange Zeit gute Dienste leisten wird.

Wir empfehlen Ihnen, vor Inbetriebnahme des Gerätes das gesamte Handbuch durchzulesen und es anschließend aufzubewahren.

Diese Anleitung...

- hilft Ihnen, Ihr Gerät schnell und sicher zu bedienen.
- Lesen Sie die Anleitung, bevor Sie Ihr Gerät aufstellen und bedienen.
- Halten Sie sich an die Anweisungen, beachten Sie insbesondere die Sicherheitshinweise.
- Bewahren Sie die Anleitung an einem leicht zugänglichen Ort auf, damit Sie jederzeit darin nachschlagen können.
- Lesen Sie auch die weiteren Dokumente, die mit Ihrem Produkt geliefert wurden.
- Bitte beachten Sie, dass diese Anleitung eventuell auch für andere Geräte eingesetzt werden kann.

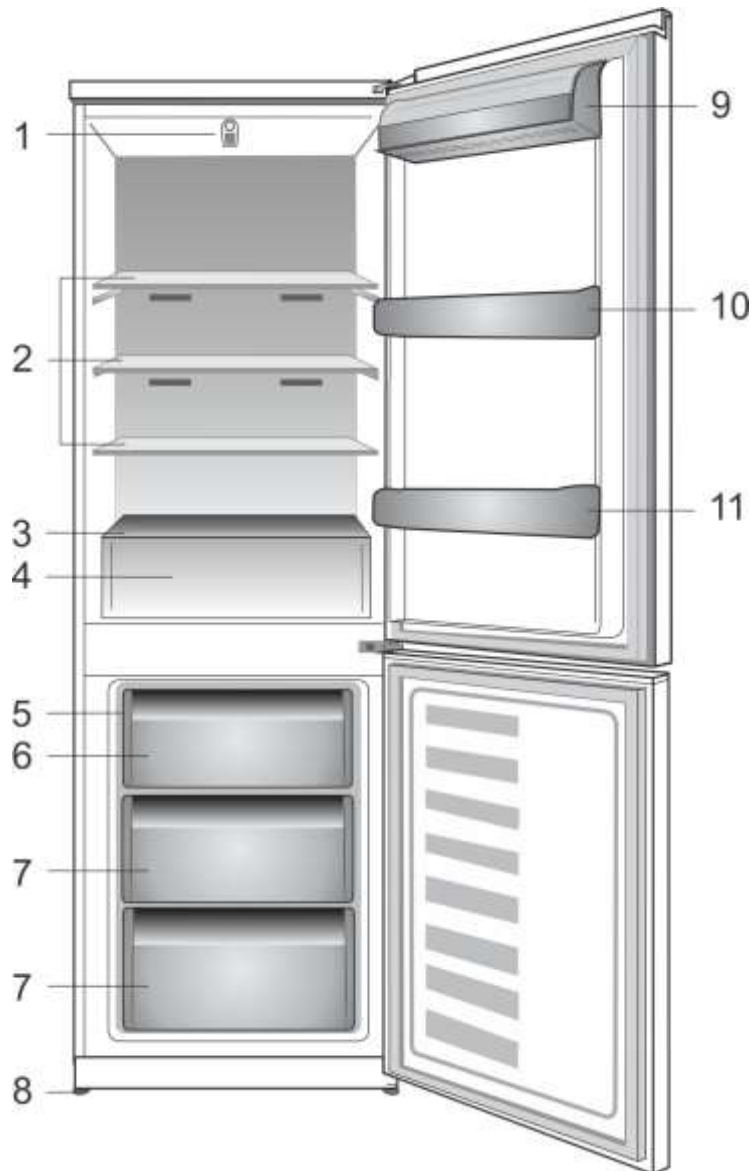
Symbole und ihre Bedeutung

In dieser Anleitung finden Sie die folgenden Symbole:

- C** Wichtige Informationen oder nützliche Tipps.
- A** Warnung vor Verletzungen oder Sachschäden.
- B** Warnung vor elektrischem Strom.

<u>1 Ihr Kühlschrank/Gefrierschrank</u>	<u>3</u>	<u>4 Vorbereitung</u>	<u>11</u>
<u>2 Wichtige Sicherheitshinweise</u>	<u>4</u>	<u>5 Nutzung des Kühlschranks</u>	<u>12</u>
Bestimmungsgemäßer Einsatz.....	4	Thermostateinstelltaste.....	12
Allgemeine Hinweise zu Ihrer Sicherheit.....	4	Abtauen.....	13
Bei Produkten mit einem Wasserspender.....	6	Frische Lebensmittel tiefkühlen.....	14
Kinder – Sicherheit.....	6	Empfehlungen zur Konservierung von gefrorenen Lebensmitteln.....	15
Erfüllung von WEEEVorgaben zur Entsorgung von Altgeräten	6	Empfehlungen zum Kühlbereich.....	15
Hinweise zur Verpackung.....	7	Türanschlag umkehren.....	16
HCA Warnung.....	7	<u>6 Wartung und Reinigung</u>	<u>17</u>
Tipps zum Energiesparen.....	7	Unangenehme Gerüche verhindern....	17
<u>3 Installation</u>	<u>8</u>	Schutz der Kunststoffflächen.....	17
Wenn Sie den Kühlschrank versetzen möchten.....	8	<u>7 Empfehlungen zur</u>	
Vor dem Einschalten.....	8	<u>Problemlösung</u>	<u>18</u>
Elektrischer Anschluss.....	9		
Verpackungsmaterialien entsorgen.....	9		
Altgeräte entsorgen.....	9		
Aufstellung und Installation.....	9		
Auswechseln der Beleuchtung.....	9		
Füße einstellen.....	9		

1 Ihr Kühlschrank/Gefrierschrank



- | | |
|--|---|
| 1. Thermostat und Beleuchtungsarmatur | 8. Einstellbare Füße an der Vorderseite |
| 2. Verstellbare Ablagen | 9. Bereich für Milchprodukte |
| 3. Abdeckung | 10. Ablage für Glasbehälter |
| 4. Gemüsefächer | 11. Ablage für Flaschen |
| 5. Eisschale | |
| 6. Schnellgefrierfach | |
| 7. Fächer zur Aufbewahrung gefrorener Lebensmittel | |

C Abbildungen und Angaben in dieser Anleitung sind schematisch und können etwas von Ihrem Gerät abweichen. Falls Teile nicht zum Lieferumfang des erworbenen Gerätes zählen, gelten sie für andere Modelle.

2 Wichtige Sicherheitshinweise

Bitte lesen Sie die folgenden Hinweise aufmerksam durch. Bei Nichtbeachtung dieser Angaben kann es zu Verletzungen und Sachschäden kommen. In diesem Fall erlöschen auch sämtliche Garantie- und sonstigen Ansprüche.

Die reguläre Einsatzzeit des von Ihnen erworbenen Gerätes beträgt 10 Jahre. In diesem Zeitraum halten wir Ersatzteile für das Gerät bereit, damit es stets wie gewohnt arbeiten kann.

Bestimmungsgemäßer Einsatz

Dieses Produkt dient dem Einsatz in

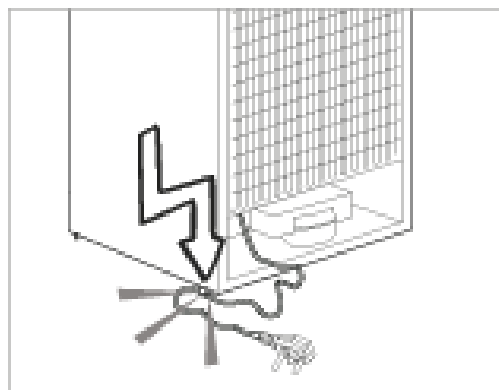
- Innenräumen und geschlossenen Bereichen, wie z. B. Haushalten;
- geschlossenen Arbeitsbereichen, wie Läden und Büros;
- geschlossenen Unterkunftsbereichen, wie Bauernhöfen, Hotels und Pensionen.
- Das Gerät sollte nicht im Freien benutzt werden.

Allgemeine Hinweise zu Ihrer Sicherheit

- Wenn Sie das Gerät entsorgen möchten, wenden Sie sich am besten an den autorisierten Kundendienst. Hier erhalten Sie notwendige Informationen und erfahren, welche Stellen für die Entsorgung zuständig sind.
- Bei Problemen und Fragen zum Gerät wenden Sie sich grundsätzlich an den autorisierten Kundendienst. Ziehen Sie keine Dritten zu Rate, versuchen Sie nichts in Eigenregie, ohne den autorisierten Kundendienst davon in Kenntnis zu setzen.
- Bei Geräten mit Tiefkühlbereich: Der Verzehr von Speiseeis und Eiswürfeln unmittelbar nach der Entnahme aus dem Tiefkühlbereich ist nicht ratsam. (Dies kann zu Erfrierungen führen.)

- Bei Geräten mit Tiefkühlbereich: Bewahren Sie Getränke in Flaschen sowie Dosen niemals im Tiefkühlbereich auf. Diese platzen.
- Berühren Sie gefrorene Lebensmittel nicht mit der Hand; sie können festfrieren.
- Trennen Sie Ihren Kühlschrank / Gefrierschrank vor dem Reinigen oder Abtauen vom Stromnetz.
- Verwenden Sie niemals Dampfoder Sprühreiniger zum Reinigen und Abtauen Ihres Kühlschranks. Die Dämpfe oder Nebel können in Kontakt mit stromführenden Teilen geraten und Kurzschlüsse oder Stromschläge auslösen.
- Missbrauchen Sie niemals Teile Ihres Kühlschranks (z. B. Tür) als Befestigungen oder Kletterhilfen.
- Nutzen Sie keine elektrischen Geräte innerhalb des Kühlschranks.
- Achten Sie darauf, den Kühlkreislauf keinesfalls mit Bohr- oder Schneidwerkzeugen zu beschädigen. Das Kühlmittel kann herausspritzen, wenn die Gaskanäle des Verdunsters, Rohr- und Schlauchleitungen oder Oberflächenversiegelungen beschädigt werden. Dies kann zu Hautreizungen und Augenverletzungen führen.
- Decken Sie keinerlei Belüftungsöffnungen des Kühlschranks ab.
- Elektrische Geräte dürfen nur von autorisierten Fachkräften repariert werden. Reparaturen durch weniger kompetente Personen können erhebliche Gefährdungen des Anwenders verursachen.

- Sollten Fehler oder Probleme während der Wartung oder Reparaturarbeiten auftreten, so trennen Sie den Kühlschrank / Gefrierschrank von der Stromversorgung, indem Sie die entsprechende Sicherung abschalten oder den Netzstecker ziehen.
- Ziehen Sie niemals am Netzkabel – ziehen Sie direkt am Stecker. Lagern Sie hochprozentige alkoholische Getränke gut verschlossen und aufrecht.
- Bewahren Sie niemals Sprühdosen mit brennbaren und explosiven Substanzen im Kühlschrank / Gefrierschrank auf.
- Nutzen Sie keine mechanischen oder anderen Hilfsmittel, um das Gerät abzutauen – es sei denn, solche Hilfsmittel werden ausdrücklich vom Hersteller empfohlen.
- Dieses Produkt darf nicht von Personen (einschließlich Kindern) mit eingeschränkten physischen, sensorischen oder geistigen Fähigkeiten bedient werden, sofern sie nicht durch eine Person, die für ihre Sicherheit verantwortlich ist, in der Bedienung des Produktes angeleitet werden.
- Nehmen Sie einen beschädigten Kühlschrank / Gefrierschrank nicht in Betrieb. Wenden Sie sich bei jeglichen Zweifeln an einen Kundendienstmitarbeiter.
- Die elektrische Sicherheit des Gerätes ist nur dann gewährleistet, wenn das hausinterne Erdungssystem den zutreffenden Normen entspricht.
- Setzen Sie das Gerät keinem Regen, Schnee, direktem Sonnenlicht oder Wind aus, da dies die elektrische Sicherheit gefährden kann.
- Wenden Sie sich zur Vermeidung von Gefahren an den autorisierten Kundendienst, falls das Netzkabel beschädigt ist.
- Stecken Sie während der Installation niemals den Netzstecker ein. Andernfalls kann es zu schweren bis tödlichen Verletzungen kommen.
- Dieser Kühlschrank / Gefrierschrank dient nur der Aufbewahrung von Lebensmitteln. Für andere Zwecke sollte er nicht verwendet werden.
- Das Etikett mit den technischen Daten befindet sich an der linken Innenwand des Kühlschranks.
- Schließen Sie Ihren Kühlschrank / Gefrierschrank niemals an energiesparende Systeme an; dies kann den Kühlschrank / Gefrierschrank beschädigen.
- Falls der Kühlschrank / Gefrierschrank über ein blaues Licht verfügt, blicken Sie nicht mit optischen Werkzeugen in das blaue Licht.
- Bei manuell gesteuerten Kühlschränken warten Sie mindestens 5 Minuten, bevor Sie den Kühlschrank / Gefrierschrank nach einem Stromausfall wieder einschalten.
- Falls Sie das Gerät an einen anderen Besitzer weitergeben, vergessen Sie nicht, die Bedienungsanleitung ebenfalls auszuhändigen.
- Achten Sie darauf, dass das Netzkabel beim Transport des Kühlschranks nicht beschädigt wird. Übermäßiges Biegen des Kabels birgt Brandgefahr. Platzieren Sie keine schweren Gegenstände auf dem Netzkabel. Berühren Sie den Netzstecker niemals mit feuchten oder gar nassen Händen.
- Schließen Sie den Kühlschrank / Gefrierschrank nicht an, wenn die Steckdose lose sitzt.



- Sprühen Sie aus Sicherheitsgründen niemals direkt Wasser auf die Innen- und Außenflächen des Gerätes.

- Sprühen Sie keine Substanzen mit brennbaren Gasen, wie z. B. Propangas, in die Nähe des Kühlschranks; andernfalls bestehen Brand- und Explosionsgefahr.
- Platzieren Sie keine mit Wasser gefüllten Gegenstände auf dem Kühlschrank; dies birgt Brand- und Stromschlaggefahr.
- Überladen Sie Ihren Kühlschrank / Gefrierschrank nicht mit zu großen Mengen an Lebensmitteln. Wenn das Gerät überladen ist, können beim Öffnen der Kühlschranktür Lebensmittel herausfallen und Verletzungen verursachen. Stellen Sie keinesfalls Gegenstände auf den Kühlschrank; sie könnten beim Öffnen oder Schließen der Kühlschranktür herunterfallen.
- Materialien wie beispielsweise Impfstoffe, wärmeempfindliche Arznei, wissenschaftliche Proben usw. sollten nicht im Kühlschrank / Gefrierschrank aufbewahrt werden, da sie bei exakt festgelegten Temperaturen gelagert werden müssen.
- Trennen Sie den Kühlschrank / Gefrierschrank vom Stromnetz, wenn er längere Zeit nicht benutzt wird. Ein mögliches Problem im Netzkabel kann einen Brand auslösen.
- Der Stecker sollte regelmäßig gereinigt werden; andernfalls besteht Brandgefahr.
- Die Steckerkontakte sollten regelmäßig gereinigt werden; andernfalls besteht Brandgefahr.
- Wenn die höhenverstellbaren Füße nicht sicher auf dem Boden stehen, kann sich der Kühlschrank / Gefrierschrank bewegen. Die angemessene Sicherung der höhenverstellbaren Füße am Boden kann eine Bewegung des Kühlschranks verhindern.
- Halten Sie den Kühlschrank / Gefrierschrank beim Tragen nicht am Türgriff. Andernfalls könnte er abbrechen.
- Wenn Sie Ihr Produkt neben einem anderen Kühl- oder Gefrierschrank aufstellen möchten, sollte der Abstand zwischen beiden Geräten mindestens 8 cm betragen. Andernfalls können die benachbarten Seitenwände feucht werden.

Bei Produkten mit einem Wasserspender

Der Wasserdruck sollte mindestens 1 bar und höchstens 8 bar betragen.

- Nur Trinkwasser verwenden.

Kinder – Sicherheit

- Bei abschließbaren Türen bewahren Sie den Schlüssel außerhalb der Reichweite von Kindern auf.
- Achten Sie darauf, dass Kinder nicht mit dem Produkt spielen.

Erfüllung von WEEE-Vorgaben zur Entsorgung von Altgeräten:



■ Dieses Produkt erfüllt die Vorgaben der EU-WEEE-Direktive (2012/19/EU). Das Produkt wurde mit **e i n e m** Klassifizierungssymbol für elektrische und elektronische Altgeräte (WEEE) gekennzeichnet.

Dieses Gerät wurde aus hochwertigen Materialien hergestellt, die wiederverwendet und recycelt werden können. Entsorgen Sie das Gerät am Ende seiner Einsatzzeit nicht mit dem regulären Hausmüll; geben Sie es stattdessen bei einer Sammelstelle zur Wiederverwertung von elektrischen und elektronischen Altgeräten ab. Ihre Stadtverwaltung informiert Sie gerne über geeignete Sammelstellen in Ihrer Nähe.

Hinweise zur Verpackung

Die Verpackungsmaterialien des Gerätes wurden gemäß nationalen Umweltschutzbestimmungen aus recyclingfähigen Materialien hergestellt. Entsorgen Sie Verpackungsmaterialien nicht mit dem regulären Hausmüll oder anderen Abfällen. Bringen Sie Verpackungsmaterialien zu geeigneten Sammelstellen; Ihre Stadtverwaltung berät Sie gern.

HCA-Warnung

Falls das Kühlsystem Ihres Produktes R600a enthält:

Dieses Gas ist leicht entflammbar. Achten Sie also darauf, Kühlkreislauf und Leitungen während Betrieb und Transport nicht zu beschädigen. Bei Beschädigungen halten Sie das Produkt von potenziellen Zündquellen (z. B. offenen Flammen) fern und sorgen für eine gute Belüftung des Raumes, in dem das Gerät aufgestellt wurde.

Ignorieren Sie diese Warnung, falls das Kühlsystem Ihres Produktes R134a enthält.

Die Art des im Produkt eingesetzten Gases wird auf dem Typenschild an der linken Innenwand des Kühlschranks angegeben.

Entsorgen Sie das Produkt keinesfalls durch Verbrennen.

Tipps zum Energiesparen

- Achten Sie darauf, die Türen nur möglichst kurzzeitig zu öffnen; lassen Sie die Türen nicht längere Zeit offen stehen. Bei geöffneten Türen dringt warme Luft in den Kühl- oder Tiefkühlbereich ein, das Gerät braucht mehr Energie zum Kühlen der Lebensmittel. Öffnen Sie die Türen daher möglichst selten – so sparen Sie Energie und lagern Ihre Lebensmittel bei optimalen Temperaturen.
- Geben Sie keine warmen Speisen oder Getränke in den Kühlschrank.
- Überladen Sie den Kühlschrank / Gefrierschrank nicht; die Luft muss frei zirkulieren können.
- Stellen Sie den Kühlschrank / Gefrierschrank nicht im direkten Sonnenlicht oder in der Nähe von Wärmequellen wie Öfen, Spülmaschinen oder Heizkörpern auf.
- Achten Sie darauf, Ihre Lebensmittel in verschlossenen Behältern aufzubewahren.

C Das Innere des Kühlschranks/Gefrierschranks muss gründlich gereinigt werden.

3 Installation

B Der Hersteller haftet nicht, falls die Angaben in dieser Anleitung nicht berücksichtigt werden.

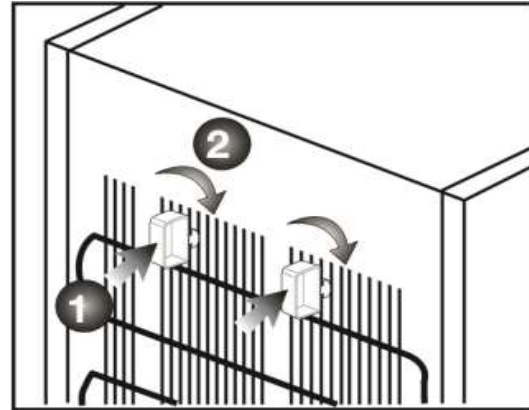
Wenn Sie den Kühlschrank versetzen möchten:

1. Ziehen Sie zuvor den Netzstecker. Der Kühlschrank sollte geleert und gesäubert werden, bevor Sie ihn transportieren oder versetzen.
2. Sichern Sie die beweglichen Teile im Inneren (z. B. Ablagen, Zubehör, Gemüsefach etc.) vor dem Verpacken mit Klebeband, schützen Sie solche Teile vor Stößen. Umwickeln Sie die Verpackung mit kräftigem Klebeband oder stabilen Schnüren, beachten Sie die Transporthinweise auf der Verpackung.
3. Originalverpackung und Schaumstoffmaterialien sollten zum zukünftigen Transport des Gerätes aufbewahrt werden.

Vor dem Einschalten

Beachten Sie Folgendes, bevor Sie Ihren Kühlschrank benutzen:

1. Bringen Sie die beiden Kunststoffkeile wie nachstehend abgebildet an. Die Kunststoffkeile sorgen für den nötigen Abstand zwischen Kühlschrank und Wand, damit die Luft frei zirkulieren kann. (Die Abbildung dient lediglich zur Orientierung und kann daher etwas von Ihrem Gerät abweichen.)



2. Reinigen Sie das Innere des Kühlschranks wie im Abschnitt „Wartung und Reinigung“ beschrieben.
3. Schließen Sie den Netzstecker des Kühlschranks an eine Steckdose an. Beim Öffnen der Tür leuchtet die Innenbeleuchtung auf.
4. Beim Anspringen des Kompressors sind Geräusche zu hören. Die Flüssigkeiten und Gase im Kühlsystem können auch leichte Geräusche erzeugen, wenn der Kompressor nicht läuft. Dies ist völlig normal.
5. Die Vorderkanten des Kühlgerätes können sich warm anfühlen. Dies ist normal. Diese Bereiche wärmen sich etwas auf, damit sich kein Kondenswasser bildet.

Elektrischer Anschluss

Schließen Sie das Gerät an eine geerdete (Schuko-) Steckdose an. Diese Steckdose muss mit einer passenden Sicherung abgesichert werden.

Wichtig:

- Der Anschluss muss gemäß lokaler Vorschriften erfolgen.
- Der Netzstecker muss nach der Installation frei zugänglich bleiben.
- Die auf dem Typenschild an der linken Innenwand des Gerätes angegebene Spannung muss mit Ihrer Netzspannung übereinstimmen.
- **Zum Anschluss dürfen keine Verlängerungskabel oder Mehrfachsteckdosen verwendet werden.**

B Ein beschädigtes Netzkabel muss unverzüglich durch einen qualifizierten Elektriker ausgetauscht werden.

B Das Gerät darf vor Abschluss der Reparaturen nicht mehr betrieben werden! Es besteht Stromschlaggefahr!

Verpackungsmaterialien entsorgen

Das Verpackungsmaterial kann eine Gefahr für Kinder darstellen. Halten Sie Verpackungsmaterialien von Kindern fern oder entsorgen Sie das Verpackungsmaterial gemäß gültigen Entsorgungsbestimmungen. Entsorgen Sie das Verpackungsmaterial über geeignete Sammelstellen (Ihre Stadtverwaltung informiert Sie gerne), nicht über den regulären Hausmüll.

Die Verpackung Ihres Gerätes wurde aus recyclingfähigen Materialien hergestellt.

Altgeräte entsorgen

Entsorgen Sie Altgeräte auf umweltfreundliche Weise.

- Bei Fragen zur richtigen Entsorgung wenden Sie sich bitte an Ihren Händler, an eine Sammelstelle oder an Ihre Stadtverwaltung.

Bevor Sie das Gerät entsorgen, schneiden Sie den Netzstecker ab und machen die Türverschlüsse (sofern vorhanden) unbrauchbar, damit Kinder nicht in Gefahr gebracht werden.

Aufstellung und Installation

A Falls die Tür des Raumes, in dem der Kühlschrank aufgestellt werden soll, nicht breit genug ist, wenden Sie sich an den autorisierten Kundendienst, lassen die Kühlschranktüren demontieren und befördern das Gerät seitlich durch die Tür.

1. Stellen Sie Ihren Kühlschrank an einer gut erreichbaren Stelle auf.
2. Platzieren Sie den Kühlschrank nicht in der Nähe von Wärmequellen oder dort, wo er Feuchtigkeit oder direktem Sonnenlicht ausgesetzt ist.
3. Damit das Gerät richtig arbeiten kann, müssen Sie ausreichend Platz um das Gerät herum freilassen, damit eine ordentliche Belüftung gewährleistet ist. Wenn Sie den Kühlschrank in einer Nische aufstellen, müssen Sie einen Abstand von mindestens 5 cm zur Decke und 5 cm zu den Wänden einhalten. Stellen Sie das Gerät nicht auf Materialien wie Teppichen oder Teppichböden auf.
4. Stellen Sie Ihren Kühlschrank auf einem ebenen Untergrund auf, damit er nicht wackelt.

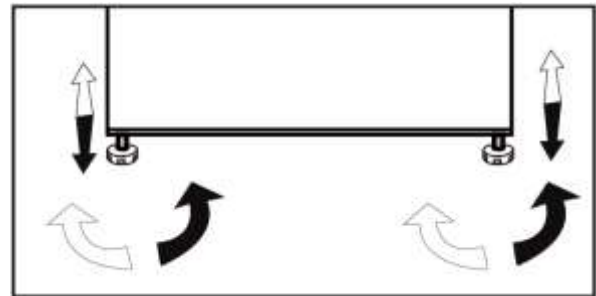
Auswechseln der Beleuchtung

Die Innenbeleuchtung Ihres Kühlschranks /Gefrierschranks sollte ausschließlich vom autorisierten Kundendienst ausgetauscht werden.

Die Glühbirnen für dieses Haushaltsgerät sind für Beleuchtungszwecke nicht geeignet. Die beabsichtigte Aufgabe dieser Lampe ist es den Benutzer zu ermöglichen die Plazierung der Lebensmittel in den Kühlschrank / Eiskühltruhe sicher und bequem vorzunehmen. Die in diesem Gerät verwendeten Lampen müssen extremen physikalischen Bedingungen, wie z. B. Temperaturen von -20°C , standhalten.

FüÙe einstellen

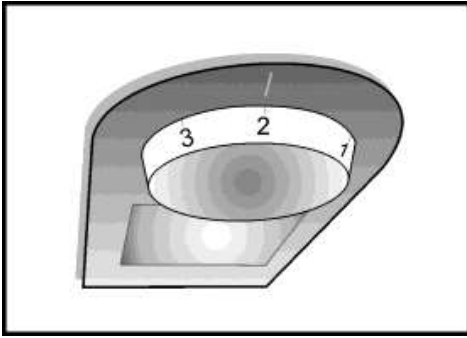
Wenn Ihr Kühlschrank nicht absolut gerade steht:
Sie können den Kühlschrank – wie in der Abbildung gezeigt – durch Drehen der FrontfüÙe ausbalancieren. Wenn Sie in Richtung des schwarzen Pfeils drehen, senkt sich die Ecke, an der sich der Fuß befindet. Beim Drehen in Gegenrichtung wird die Ecke angehoben. Diese Arbeit fällt erheblich leichter, wenn ein Helfer das Gerät etwas anhebt.



4 Vorbereitung

- Ihr Kühlschrank / Gefrierschrank sollte mindestens 30 cm von Hitzequellen wie Kochstellen, Öfen, Heizungen, Herden und ähnlichen Einrichtungen aufgestellt werden. Halten Sie mindestens 5 cm Abstand zu Elektroöfen ein, vermeiden Sie die Aufstellung im direkten Sonnenlicht.
- Sorgen Sie dafür, dass das Innere Ihres Kühlschrank / Gefrierschranks gründlich gereinigt wird.
- Falls zwei Kühlschränke nebeneinander platziert werden sollen, achten Sie darauf, dass sie mindestens 2 cm voneinander entfernt aufgestellt werden.
- Wenn Sie den Kühlschrank / Gefrierschrank zum ersten Mal in Betrieb nehmen, halten Sie sich bitte an die folgenden Anweisungen für die ersten sechs Betriebsstunden.
- Die Kühlschrank / Gefrierschrantür sollte nicht zu häufig geöffnet werden.
- Der Kühlschrank / Gefrierschrank muss zunächst vollständig leer arbeiten.
- Ziehen Sie nicht den Netzstecker. Falls der Strom ausfallen sollte, beachten Sie die Warnhinweise im Abschnitt „Empfehlungen zur Problemlösung“.
- Das Gerät wurde zum Betrieb bei Umgebungstemperaturen bis 43 °C ausgelegt.

5 Nutzung des Kühlschranks



Thermostateinstelltaste

Die Innentemperatur Ihres Kühlschranks hängt teilweise von folgenden Einflüssen ab:

- Umgebungstemperatur
- Häufigkeit der Türöffnungen, Offenstehen der Tür über längere Zeit
- Einlagern von Lebensmitteln, ohne diese zuvor auf Raumtemperatur abkühlen zu lassen
- Platzierung des Kühlschranks innerhalb des Raumes (z. B. im direkten Sonnenlicht).
- Zum Anpassen der Innentemperatur an solche Einflüsse benutzen Sie das Thermostat.

Mit dem Thermostat kann die gewünschte Lagertemperatur eingestellt werden.

Wenn das Gerät die eingestellte Temperatur erreicht hat, schaltet sich der Thermostat automatisch aus, steigt die Temperatur wieder, so schaltet es sich wieder ein.

Stellung „MAX“ bedeutet die niedrigste Innentemperatur (kälteste Einstellung).

Wird der Temperaturregler auf Stufe Mitte zwischen Min. und Max. eingestellt, so wird im Kühlbereich automatisch $+5^{\circ}\text{C}$ ($+41^{\circ}\text{F}$) erreicht.

Im Kühlschrank gibt es kältere und wärmere Zonen (Gemüseschublade, oberes Teil des Kühlschranks). Jedes Lebensmittel sollte den richtigen Platz bekommen, damit es lange frisch bleibt. Wir empfehlen, die Temperatur der Raumtemperatur, der Häufigkeit mit der der Kühlschrank geöffnet wird, sowie der Menge der eingelagerten Lebensmittel entsprechend einzustellen.

Die Temperatur im Kühlschrank regelmäßig an verschiedenen Stellen mit einem Thermometer messen.

Vermeiden Sie unnötiges und zu langes Öffnen der Tür.

Abtauen

A) Kühlbereich

Der Kühlbereich tauet vollautomatisch ab. Im Betrieb können sich Wassertropfen und eine 7 – 8 mm starke Eisschicht an der Innenwand des Kühlbereiches absetzen. Dies ist vollkommen normal und ein Nebeneffekt des Kühlungssystems. Dank des automatischen Abtausystems an der Rückwand wird das Eis in bestimmten Abständen automatisch abgetaut. Weder Eis noch Wassertropfen müssen manuell entfernt werden.

Beim Abtauen läuft das Tauwasser in die Ablaufrinne und fließt anschließend zum Verdampfer - hier verdunstet das Wasser automatisch.

Überzeugen Sie sich regelmäßig davon, dass der Ablauf nicht verstopft ist; beseitigen Sie eventuelle Verstopfungen mit dem Stäbchen.

Der Tiefkühlbereich wird nicht automatisch abgetaut, da es ansonsten schnell zum Verderben gefrorener Lebensmittel kommen könnte.

B) Tiefkühlbereich

Dank einer speziellen Tauwassersammelschale ist das Abtauen einfach und nicht mit Verunreinigungen verbunden.

Tauen Sie zweimal jährlich ab, oder wenn die Eisschicht auf etwa 7 mm angewachsen ist. Um den Abtauprozess zu starten, schalten Sie das Gerät am Steckdosenschalter aus und ziehen den Stecker aus der Steckdose.

Sämtliche Lebensmittel sollten in mehrere Lagen Papier eingewickelt und an einem kalten Ort (z. B. Kühlschrank oder Speisekammer) gelagert werden.

Um den Abtauvorgang zu beschleunigen, können Sie Schüsseln mit warmem Wasser in das Gerät stellen.

Verwenden Sie keine spitzen oder scharfen Gegenstände (wie Messer oder Gabeln) zum Entfernen der Eisschicht. Verwenden Sie niemals Haartrockner, elektrische Heizgeräte oder ähnliches zum Beschleunigen des Abtauvorgangs.

Wischen Sie das Tauwasser, welches sich am Boden des Tiefkühlbereichs ansammelt, mit einem Schwamm auf. Trocknen Sie nach Beendigung des Abtauens die Innenseiten gut ab.

Stecken Sie den Netzstecker wieder in die Steckdose, schalten Sie die Stromzufuhr wieder ein.

Frische Lebensmittel tiefkühlen

- Es ist ratsam, die Lebensmittel einzuwickeln oder abzudecken, bevor sie im Kühlschrank gelagert werden.
 - Heiße Spiesen müssen auf Raumtemperatur abgekühlt sein, ehe sie in den Kühlschrank gegeben werden.
 - Lebensmittel, die Sie einfrieren möchten, sollten frisch und von guter Qualität sein.
 - Verteilen Sie die Lebensmittel / Gerichte auf familienfreundliche oder sonstige sinnvolle Portionen.
 - Lebensmittel sollten luftdicht verpackt sein, damit sie nicht austrocknen. Dies gilt auch dann, wenn Sie Lebensmittel nur kurze Zeit lagern möchten.
 - Geeignete Verpackungsmaterialien müssen reißfest, luftdicht und unempfindlich gegenüber Kälte, Feuchtigkeit, Gerüchen, Ölen und Säuren sein. Darüber hinaus müssen sie sich leicht verschließen lassen, unkompliziert in der Handhabung und natürlich zum Tiefkühlen geeignet sein.
 - Verbrauchen Sie eingefrorene Lebensmittel nicht direkt nach dem Auftauen und frieren Sie sie nicht wieder ein.
 - Bitte beachten Sie die folgenden Hinweise, um beste Resultate zu erzielen.
1. Frieren Sie nicht zu große Mengen auf einmal ein. Die Qualität der Lebensmittel bleibt am besten erhalten, wenn sie so schnell wie möglich bis in den Kern tiefgekühlt werden.

2. Wenn Sie noch warme Speisen in das Tiefkühlfach stellen, bewirken Sie damit, dass das Kühlsystem ununterbrochen arbeitet, bis die Speisen komplett tiefgekühlt sind.

3. Achten Sie besonders darauf, bereits tiefgekühlte und frische Speisen nicht zu vermischen.

- Heiße Speisen und Getränke müssen auf Raumtemperatur abgekühlt sein, ehe sie in den Kühlschrank gegeben werden.
- Das maximale TK-Stauvolumen wird ohne Schubladen und obere Ablage im Tiefkühlfach erzielt. Der Energieverbrauch Ihres Gerätes wurde bei komplett gefüllten Ablagen im Tiefkühlfach ohne Schubladen und obere Ablage ermittelt.
- Bei Stromausfall halten Sie die Tür des Tiefkühlbereiches geschlossen. Gefrorene Lebensmittel nehmen keinen Schaden, solange der Stromausfall nicht länger als unter „Haltezeit nach Ausfall“ (siehe Technische Daten) angegeben andauert. Falls der Stromausfall länger andauern sollte, müssen Sie die Lebensmittel überprüfen und nötigenfalls entweder sofort konsumieren oder kochen und danach wieder einfrieren.
- Bitte beachten Sie beim Kauf das Mindesthaltbarkeitsdatum und die empfohlene Aufbewahrungstemperatur. Verzehren Sie keine Lebensmittel mit abgelaufenem Mindesthaltbarkeitsdatum.

Empfehlungen zur Konservierung von gefrorenen Lebensmitteln

Handelsübliche, verpackte Tiefkühlkost sollte gemäß den Hinweisen des Herstellers zur Lagerung in Viersterne-Fächern *** **** gelagert werden.

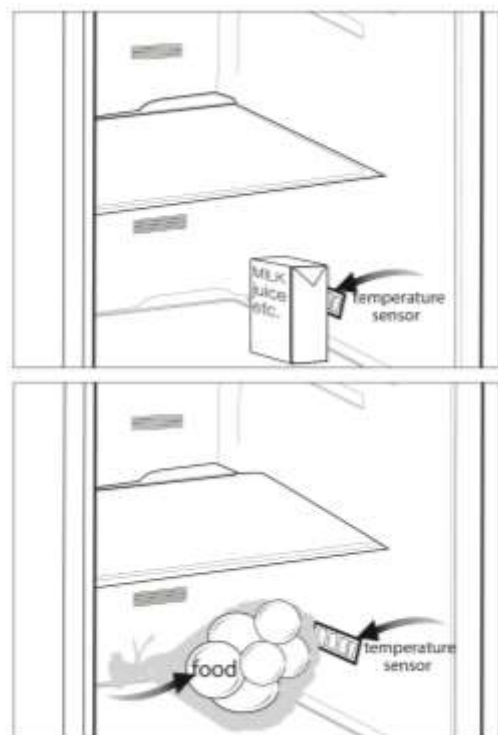
Um besonders gute Ergebnisse zu erzielen und zu erhalten, sollten Sie Folgendes berücksichtigen:

1. Geben Sie Lebensmittel so schnell wie möglich nach dem Kauf in den Tiefkühlbereich.
2. Sorgen Sie dafür, dass sämtliche Lebensmittel beschriftet und mit einem Datum versehen werden.
3. Achten Sie darauf, dass das Mindesthaltbarkeitsdatum auf der Verpackung nicht überschritten wird.

Empfehlungen zum Kühlbereich

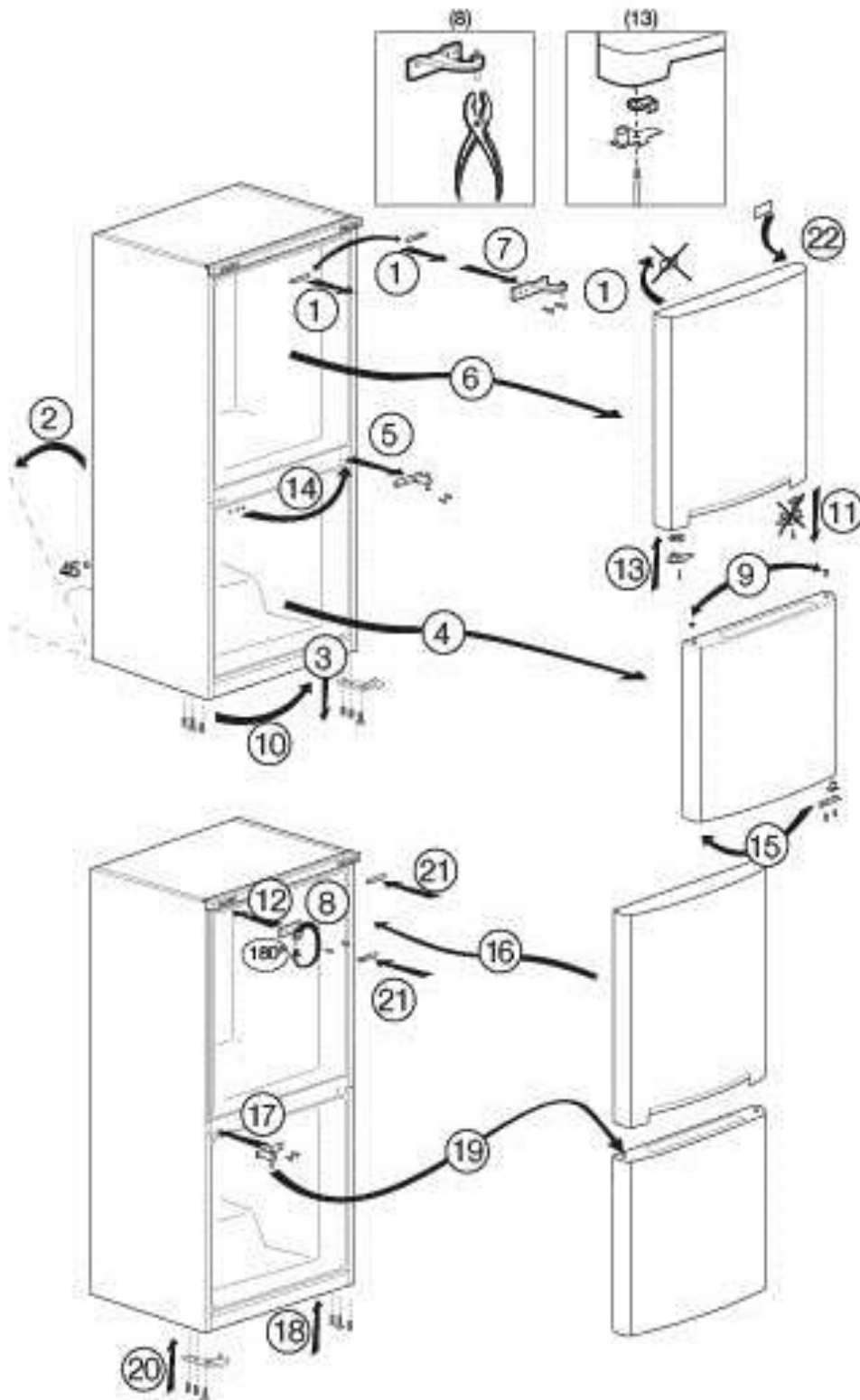
***optional**

- Achten Sie darauf, dass der Temperatursensor im Kühlbereich nicht mit Lebensmitteln in Berührung kommt. Damit die optimale Lagerungstemperatur im variablen Fach beibehalten werden kann, darf der Sensor nicht von Lebensmitteln blockiert werden.
- Geben Sie keine heißen Speisen in das Gerät.



Türanschlag umkehren

Gehen Sie der Reihe nach vor.



6 **Wartung und Reinigung**

- A** Verwenden Sie zu Reinigungszwecken niemals Benzin oder ähnliche Substanzen.
- B** Wir empfehlen, vor dem Reinigen den Netzstecker zu ziehen.
- C** Verwenden Sie zur Reinigung niemals scharfe Gegenstände, Seife, Haushaltsreiniger, Waschmittel oder Wachspolituren.
- C** Reinigen Sie das Gehäuse des Gerätes mit lauwarmem Wasser, wischen Sie die Flächen danach trocken.
- B** Zur Reinigung des Innenraums verwenden Sie ein feuchtes Tuch, das Sie in eine Lösung aus 1 Teelöffel Natron und einem halben Liter Wasser getaucht und ausgewrungen haben. Nach dem Reinigen wischen Sie den Innenraum trocken.
- B** Achten Sie darauf, dass kein Wasser in das Lampengehäuse oder andere elektrische Komponenten eindringt.
- A** Verwenden Sie zur Reinigung der Außenflächen und Chrombeschichteten Produktteile niemals Reinigungsmittel oder Wasser, die/das Chlor enthält. Chlor last Metalloberflächen korrodieren.

Unangenehme Gerüche verhindern

Bei der Herstellung Ihres Kühlschranks/ Gefrierschranks wurde darauf geachtet, dass keine Materialien verwendet wurden, die unangenehme Gerüche verursachen können. Allerdings können natürlich nach wie vor unangenehme Gerüche auftreten, wenn

Lebensmittel nicht richtig gelagert werden und/oder das Innere des Gerätes nicht ordentlich gereinigt wird. Dieses Problem können Sie vermeiden, wenn sie folgende Hinweise beachten:

- Halten Sie Ihren Kühlschrank/Gefrierschrank stets sauber. Lebensmittelreste, Verschmutzungen usw. können Gerüche verursachen. Reinigen Sie den Kühlschrank/ Gefrierschrank daher alle 15 Tage mit etwas in Wasser aufgelöstem Natron. Verzichten Sie grundsätzlich auf Reinigungsmittel und Seifen.
- Lagern Sie Lebensmittel in geschlossenen Behältern. Mikroorganismen, die aus unverschlossenen Behältern entweichen, können üble Gerüche verursachen.
- Nehmen Sie Lebensmittel mit abgelaufenem Mindesthaltbarkeitsdatum sowie verdorbene Lebensmittel gleich aus dem Kühlschrank/ Gefrierschrank.

Schutz der Kunststoffflächen

- C** Geben Sie keine Öle oder stark fetthaltige Speisen offen in Ihren Kühlschrank / Gefrierschrank – dadurch können die Kunststoffflächen angegriffen werden. Sollten die Plastikoberflächen einmal mit Öl in Berührung kommen, so reinigen Sie die entsprechend Stellen umgehend mit warmem Wasser.

7 Empfehlungen zur Problemlösung

Bitte arbeiten Sie diese Liste durch, bevor Sie den Kundendienst anrufen. Das kann Ihnen Zeit und Geld sparen. In der Liste finden Sie häufiger auftretende Probleme, die nicht auf Verarbeitungs- oder Materialfehler zurückzuführen sind. Nicht alle hier beschriebenen Funktionen sind bei jedem Modell verfügbar.

Der Kühlschrank / Gefrierschrank arbeitet nicht.

- Ist der Kühlschrank / Gefrierschrank richtig angeschlossen? Stecken Sie den Netzstecker in die Steckdose.
- Ist die entsprechende Haussicherung herausgesprungen oder durchgebrannt? Überprüfen Sie die Sicherung.

Kondensation an den Seitenwänden des Kühlbereiches. (Multizone, Kühlkontrolle und FlexiZone)

- Sehr geringe Umgebungstemperaturen. Häufiges Öffnen und Schließen der Tür. Sehr feuchte Umgebung. Offene Lagerung von feuchten Lebensmitteln. Tür nicht richtig geschlossen. Kühlere Thermostateinstellung wählen.
- Türen kürzer geöffnet halten oder seltener öffnen.
- Offene Behälter abdecken oder mit einem geeigneten Material einwickeln.
- Kondensation mit einem trockenen Tuch entfernen und überprüfen, ob diese erneut auftritt.

Der Kompressor läuft nicht

- Eine Schutzschaltung stoppt den Kompressor bei kurzzeitigen Unterbrechungen der Stromversorgung und wenn das Gerät zu oft und schnell ein- und ausgeschaltet wird, da der Druck des Kühlmittels eine Weile lang ausgeglichen werden muss. Ihr Kühlschrank / Gefrierschrank beginnt nach etwa sechs Minuten wieder zu arbeiten. Bitte wenden Sie sich an den Kundendienst, falls Ihr Kühlschrank / Gefrierschrank nach Ablauf dieser Zeit nicht wieder zu arbeiten beginnt.
- Der Kühlschrank / Gefrierschrank taut ab. Dies ist bei einem vollautomatisch abtauenden Kühlschrank / Gefrierschrank völlig normal. Das Gerät taut von Zeit zu Zeit ab.
- Der Netzstecker ist nicht eingesteckt. Überprüfen Sie, ob das Gerät richtig angeschlossen ist.
- Stimmen die Temperatureinstellungen?
- Eventuell ist der Strom ausgefallen.

Das Betriebsgeräusch nimmt zu, wenn der Kühlschrank / Gefrierschrank arbeitet.

- Das Leistungsverhalten des Kühlgerätes kann sich je nach Umgebungstemperatur ändern. Dies ist völlig normal und keine Fehlfunktion.

Der Kühlschrank / Gefrierschrank arbeitet sehr intensiv oder über eine sehr lange Zeit.

- Ihr neues Gerät ist vielleicht etwas breiter als sein Vorgänger. Dies ist völlig normal. Große Kühlgeräte arbeiten oft längere Zeit.
- Die Umgebungstemperatur ist eventuell sehr hoch. Dies ist völlig normal.
- Das Kühlgerät wurde möglicherweise erst vor kurzem in Betrieb genommen oder mit Lebensmitteln gefüllt. Es kann einige Stunden länger dauern, bis der Kühlschrank / Gefrierschrank seine Arbeitstemperatur erreicht hat.
- Kurz zuvor wurden größere Mengen warmer Speisen im Kühlschrank / Gefrierschrank eingelagert. Heiße Speisen führen dazu, dass der Kühlschrank / Gefrierschrank etwas länger arbeiten muss, bis die geeignete Temperatur zur sicheren Lagerung erreicht ist.
- Türen wurden häufig geöffnet oder längere Zeit nicht richtig geschlossen. Der Kühlschrank / Gefrierschrank muss länger arbeiten, weil warme Luft in den Innenraum eingedrungen ist. Öffnen Sie die Türen möglichst selten.
- Die Tür des Kühl- oder Tiefkühlbereichs war nur angelehnt. Vergewissern Sie sich, dass die Türen richtig geschlossen wurden.
- Die Kühlschrank / Gefrierschranktemperatur ist sehr niedrig eingestellt. Stellen Sie die Kühlschrank / Gefrierschranktemperatur höher ein und warten Sie, bis die gewünschte Temperatur erreicht ist.
- Die Türdichtungen von Kühl- oder Gefrierbereich sind verschmutzt, verschlissen, beschädigt oder sitzen nicht richtig. Reinigen oder ersetzen Sie die Dichtung. Beschädigte oder defekte Dichtungen führen dazu, dass der Kühlschrank / Gefrierschrank länger arbeiten muss, um die Temperatur halten zu können.

Die Temperatur im Tiefkühlbereich ist sehr niedrig, während die Temperatur im Kühlbereich normal ist.

- Die Tiefkühltemperatur ist sehr niedrig eingestellt. Stellen Sie die Gefrierfachtemperatur wärmer ein und prüfen Sie.

Die Temperatur im Kühlbereich ist sehr niedrig, während die Temperatur im Tiefkühlbereich normal ist.

- Die Kühltemperatur ist eventuell sehr niedrig eingestellt. Stellen Sie die Kühlbereichtemperatur wärmer ein und prüfen Sie.

Im Kühlbereich gelagerte Lebensmittel frieren ein.

- Die Kühltemperatur ist eventuell sehr niedrig eingestellt. Stellen Sie die Kühlbereichtemperatur wärmer ein und prüfen Sie.

Die Temperatur im Kühl- oder Tiefkühlbereich ist sehr hoch.

- Die Temperatur des Kühlbereichs ist eventuell sehr hoch eingestellt. Die Einstellung des Kühlbereichs beeinflusst die Temperatur im Tiefkühlbereich. Stellen Sie den Kühl- oder Tiefkühlbereich auf die gewünschte Temperatur ein.
- Türen wurden häufig geöffnet oder längere Zeit nicht richtig geschlossen; weniger häufig öffnen.
- Die Tür wurde eventuell nicht richtig geschlossen; Tür richtig schließen.
- Kurz zuvor wurden größere Mengen warmer Speisen im Kühlschrank / Gefrierschrank eingelagert. Warten Sie, bis der Kühl- oder Tiefkühlbereich die gewünschte Temperatur erreicht.
- Der Kühlschrank / Gefrierschrank war kurz zuvor von der Stromversorgung getrennt. Ihr Kühlschrank / Gefrierschrank braucht einige Zeit, um sich auf die gewünschte Temperatur abzukühlen.

Vibrationen oder Betriebsgeräusche.

- Der Boden ist nicht eben oder nicht fest. Der Kühlschrank / Gefrierschrank wackelt, wenn er etwas bewegt wird. Achten Sie darauf, dass der Boden eben ist und das Gewicht des Kühlschrank / Gefrierschranks problemlos tragen kann.
- Das Geräusch kann durch auf dem Kühlschrank / Gefrierschrank abgestellte Gegenstände entstehen. Nehmen Sie abgestellte Gegenstände vom Kühlschrank / Gefrierschrank herunter.

Fließ- oder Spritzgeräusche sind zu hören.

- Aus technischen Gründen bewegen sich Flüssigkeiten und Gase innerhalb des Gerätes. Dies ist völlig normal und keine Fehlfunktion.

Windähnliche Geräusche sind zu hören.

- Zum gleichmäßigen Kühlen werden Ventilatoren eingesetzt. Dies ist völlig normal und keine Fehlfunktion.

Condensation on the inner walls of refrigerator.

- Bei heißen und feuchten Wetterlagen tritt verstärkt Eisbildung und Kondensation auf. Dies ist völlig normal und keine Fehlfunktion.
- Die Türen wurden eventuell nicht richtig geschlossen; Türen komplett schließen.
- Türen wurden häufig geöffnet oder längere Zeit nicht richtig geschlossen; weniger häufig öffnen.

Feuchtigkeit sammelt sich an der Außenseite des Kühlschrank / Gefrierschranks oder an den Türen.

- Eventuell herrscht hohe Luftfeuchtigkeit; dies ist je nach Wetterlage völlig normal. Die Kondensation verschwindet, sobald die Feuchtigkeit abnimmt.

Unangenehmer Geruch im Kühlschrank / Gefrierschrankinnenraum.

- Das Innere des Kühlschrank / Gefrierschranks muss gereinigt werden. Reinigen Sie das Innere des Kühlschrank / Gefrierschranks mit einem Schwamm, den Sie mit lauwarmem oder kohlenensäurehaltigem Wasser angefeuchtet haben.
- Bestimmte Behälter oder Verpackungsmaterialien verursachen den Geruch. Verwenden Sie andere Behälter oder Verpackungsmaterial einer anderen Marke.

Die Tür wurde nicht richtig geschlossen.

- Lebensmittelpackungen verhindern eventuell das Schließen der Tür. Entfernen Sie die Verpackungen, welche die Tür blockieren.
- Der Kühlschrank / Gefrierschrank steht nicht mit sämtlichen Füßen fest auf dem Boden und schaukelt bei kleinen Bewegungen. Stellen Sie die Höheneinstellschrauben ein.
- Der Boden ist nicht eben oder nicht stabil genug. Achten Sie darauf, dass der Boden eben ist und das Gewicht des Kühlschrank / Gefrierschranks problemlos tragen kann.

Das Gemüsefach klemmt.

- Die Lebensmittel berühren eventuell den oberen Teil der Schublade. Ordnen Sie die Lebensmittel in der Schublade anders an.

Prosimy najpierw przeczytać tę instrukcję obsługi!

Droży Klienci,

Mamy nadzieję, że nasz wyrób, wyprodukowany w nowoczesnym zakładzie i sprawdzony według najbardziej drobiazgowych procedur kontroli jakości, będzie Wam dobrze służył.

Dlatego prosimy uważnie przeczytać całą instrukcję obsługi chłodziarki przed jej użyciem i zachować ją do późniejszego wglądu. Przy przekazaniu tej chłodziarki komuś innemu, prosimy także przekazać tę instrukcję.

Niniejsza instrukcja obsługi pomoże korzystać z tej chłodziarki sprawnie i bezpiecznie.

- Proszę przeczytać tę instrukcję przed zainstalowaniem i uruchomieniem chłodziarki.
- Prosimy na pewno przeczytać wskazówki na temat bezpieczeństwa.
- Prosimy przechowywać tę instrukcję w łatwo dostępnym miejscu, bo może się przydać później.
- Prosimy przeczytać również inne dokumenty dostarczone wraz z chłodziarką.

Zwracamy uwagę, że instrukcja ta odnosi się także do kilku innych modeli. Różnice pomiędzy modelami zostaną wskazane w instrukcji.

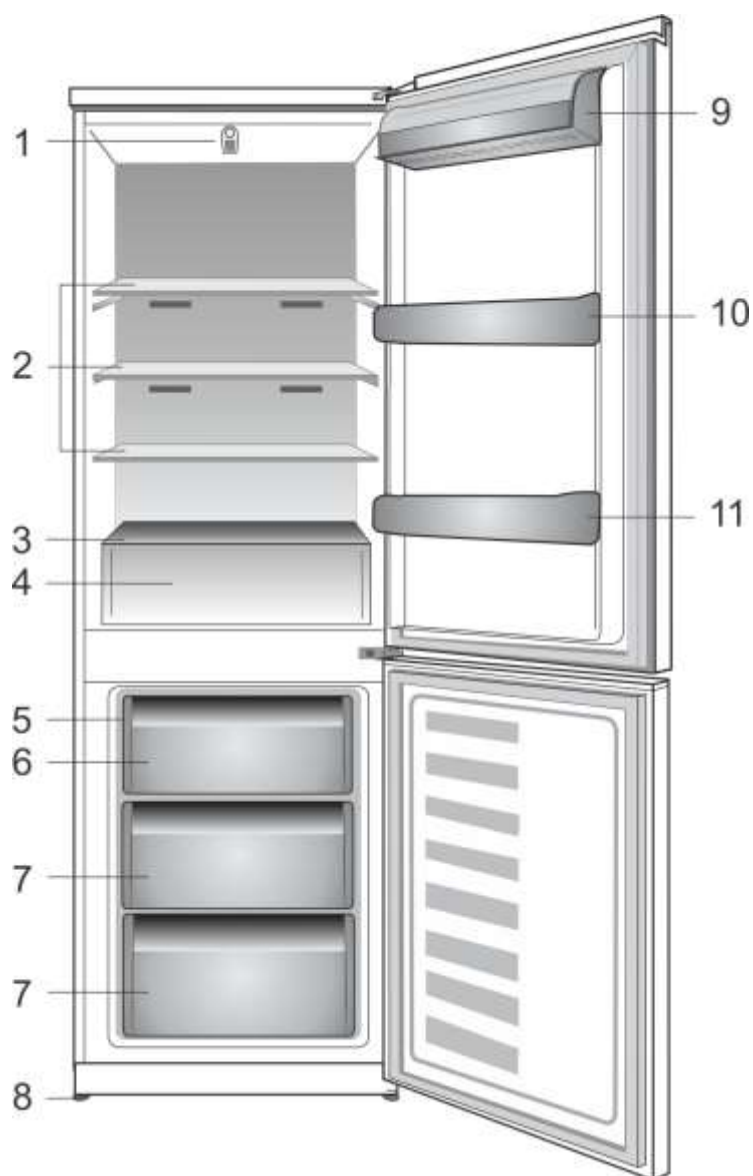
Objaśnienie symboli

W niniejszej instrukcji obsługi używa się następujących symboli:

- C** Ważne informacje i przydatne wskazówki.
- A** Ostrzeżenie przed zagrożeniem życia i mienia.
- B** Ostrzeżenie przed porażeniem elektrycznym.

<u>1 Oto Wasza chłodziarka</u>	3	<u>4 Przygotowanie</u>	11
<u>2 Ważne zasady bezpieczeństwa</u>	4	<u>5 Użytkowanie chłodziarki</u>	12
Zamierzone przeznaczenie.....	4	Przycisk nastawiania termostatu.....	12
Ogólne zasady bezpieczeństwa.....	4	Rozmrażanie.....	13
Dotyczy modeli z dozownikiem wody.....	6	Zamrażanie żywności świeżej.....	14
Bezpieczeństwo dzieci.....	6	Zalecenia co do przechowywania	
Zgodność z przepisami WEEE i utylizacja		mrożonek.....	15
zużytej chłodziarki.....	6	Zalecenia co do komory na żywność	
Informacje na opakowaniu.....	7	świeżą.....	15
Ostrzeżenie HCA.....	7	Przekładanie drzwiczek.....	16
Co robić, aby oszczędzać energię.....	7		
<u>3 Instalacja</u>	8	<u>6 Konserwacja i czyszczenie</u>	17
Na co należy zwrócić uwagę przy		Jak unikać nieprzyjemnych	
przenoszeniu chłodziarki.....	8	zapachów.....	17
Przed uruchomieniem chłodziarki.....	8	Zabezpieczenia powierzchni	
Połączenia elektryczne.....	9	plastykowych.....	17
Utylizacja opakowania.....	9	<u>7 Rozwiązywanie problemów</u>	18
Utylizacja starej chłodziarki.....	9		
Ustawienie i instalacja.....	9		
Wymiana lampki oświetlenia.....	9		
Nastawianie nóżek.....	9		

1 Oto chłodziarka



- | | |
|--|---|
| 1. Pokrętko regulacji i oświetlenie wewnętrzne | 7. Komory do przechowywania żywności mrożonej |
| 2. Nastawialne półki komory chłodziarki | 8. Nastawiane nóżki przednie |
| 3. Szyba pokrywy | 9. Balkonik na nabiał |
| 4. Pojemniki na świeże warzywa | 10. Półki na słoiki |
| 5. Podpory tacki na lód i tacka na lód | 11. Półka na butelki |
| 6. Komora szybkiego zamrażania | |

C Rysunki w niniejszej instrukcji to tylko schematy i nie muszą ściśle odpowiadać Waszemu modelowi chłodziarki. Jeśli pewnych części nie ma w Waszej chłodziarce, to znaczy, że odnoszą się do innych modeli.

2 Ważne ostrzeżenia dot. bezpieczeństwa

Prosimy przeczytać następujące ostrzeżenia. Niestosowanie się do tej informacji może spowodować obrażenia lub szkody materialne.

W takim przypadku tracą ważność wszelkie gwarancje i zapewnienia niezawodności.

Okres użytkowania tego wyrobu to 10 lat. W tym okresie dostępne będą oryginalne części zamienne potrzebne do jego prawidłowej pracy.

Zamierzone przeznaczenie

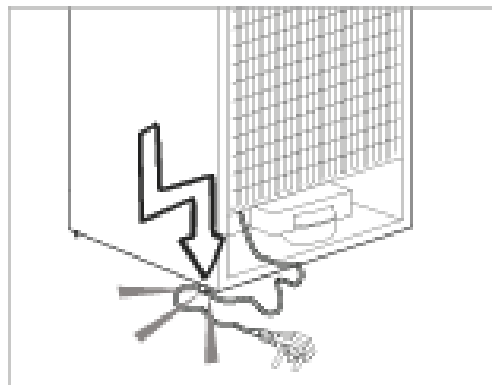
- Chłodziarka jest przeznaczona do używania we wnętrzach i obszarach zamkniętych, takich jak domy;
- w zamkniętych pomieszczeniach roboczych, takich jak sklepy i biura;
- w zamkniętych pomieszczeniach mieszkalnych, takich jak domy w gospodarstwach wiejskich, hotele i pensjonaty.
- Nie należy używać jej na dworze.

Ogólne zasady bezpieczeństwa

- Gdy zechcecie pozbyć się tego urządzenia/zezłomować je, zalecamy skonsultowanie się z autoryzowanym serwisem, aby uzyskać potrzebne informacje i poznać kompetentne podmioty.
- W sprawach wszelkich pytań i problemów związanych z tą chłodziarką konsultujcie się z Waszym autoryzowanym serwisem. Bez powiadomienia autoryzowanego serwisu nie interweniujcie sami i nie pozwalajcie interweniować innym w funkcjonowanie chłodziarki.
- Dotyczy modeli z zamrażalnikiem: Nie jedzcie lodów ani kostek lodu bezpośrednio po wyjęciu ich z zamrażalnika! (Może to spowodować odmrożenia w ustach).

- Dotyczy modeli z zamrażalnikiem: Nie wkładajcie do zamrażalnika napojów w butelkach ani w puszkach. Mogą wybuchnąć.
- Nie dotykajcie palcami mrożonej żywności, bo może do nich przylgnąć.
- Przed czyszczeniem lub rozmrażaniem chłodziarki wyjmujcie jej wtyczkę z gniazdka.
- Do czyszczenia i rozmrażania chłodziarki nie wolno stosować pary ani środków czyszczących w tej postaci. W takich przypadkach para może zetknąć się z częściami urządzeń elektrycznych i spowodować zwarcie albo porażenie elektryczne.
- Nie wolno używać żadnych części chłodziarki, takich jak drzwiczki, jako podpory ani stopnia.
- Wewnątrz chłodziarki nie wolno używać urządzeń elektrycznych.
- Nie wolno uszkadzać obwodu chłodzącego, w którym krąży środek chłodzący, narzędziami do wiercenia i cięcia. Środek chłodzący, który może wybuchnąć skutkiem przedziurawienia przewodów gazowych parownika, przedłużeń rur lub powłok powierzchni, powoduje podrażnienia skóry lub obrażenia oczu.
- Nie przykrywajcie żadnym materiałem ani nie blokujcie otworów wentylacyjnych w chłodziarce.
- Urządzenia elektryczne mogą naprawiać tylko osoby z uprawnieniami. Naprawy wykonywane przez osoby niekompetentne stwarzają zagrożenie dla użytkowników.

- W razie jakiegokolwiek awarii, a także w trakcie prac konserwacyjnych lub napraw, odłączcie chłodziarkę od zasilania z sieci, wyłączając odnośny bezpiecznik albo wyjmując wtyczkę z gniazdka.
- Wyjmując przewód zasilający z gniazdka, należy ciągnąć za wtyczkę, nie za przewód.
- Napoje o wyższej zawartości alkoholu wkładajcie do chłodziarki w dokładnie zamkniętych naczyniach i w pozycji pionowej.
- Nie wolno przechowywać w chłodziarce puszek do rozpylania substancji łatwopalnych lub wybuchowych.
- W celu przyspieszenia procesu rozmrażania chłodziarki nie należy używać żadnych urządzeń mechanicznych ani innych środków poza zalecanymi przez jej producenta.
- Wyrób ten nie jest przeznaczony do użytku osób o ograniczonej sprawności fizycznej, zmysłowej lub umysłowej oraz osoby bez odpowiedniego doświadczenia i umiejętności (w tym dzieci), o ile nie zapewni się im nadzoru lub instrukcji jego użytkownika ze strony osoby odpowiedzialnej za ich bezpieczeństwo.
- Nie uruchamiajcie chłodziarki, jeśli jest uszkodzona. W razie jakichkolwiek obaw skontaktujcie się z pracownikiem serwisu.
- Bezpieczeństwo elektryczne tej chłodziarki gwarantuje się tylko wówczas, jeśli system uziemienia Waszej instalacji domowej spełnia wymogi norm.
- Wystawianie tego urządzenia na działanie deszczu, śniegu, słońca i wiatru zagraża jego bezpieczeństwu elektrycznemu.
- W razie uszkodzenia przewodu zasilającego skontaktujcie się z autoryzowanym punktem serwisowym aby uniknąć zagrożenia.
- W trakcie instalowania chłodziarki nigdy nie wolno włączać wtyczki w gniazdko w ścianie. Może to zagrażać śmiercią lub poważnym urazem.
- Chłodziarka ta przeznaczona jest wyłącznie do przechowywania żywności. Nie wolno jej używać w żadnym innym celu.
- Tabliczka z danymi technicznymi umieszczona jest na lewej ścianie wewnątrz chłodziarki.
- Chłodziarki nie wolno przyłączać do systemów oszczędzających energię elektryczną, może to ją uszkodzić.
- Jeśli na chłodziarce pali się niebieskie światło, nie należy patrzeć na nie przez przyrządy optyczne.
- Jeśli chłodziarka obsługiwana jest ręcznie, po awarii zasilania należy odczekać przynajmniej 5 minut przed jej ponownym załączeniem.
- Przy przekazaniu chłodziarki nowemu posiadaczowi wraz z nią należy przekazać niniejszą instrukcję.
- Przy transporcie chłodziarki należy unikać uszkodzenia jej przewodu zasilającego. Zagięcie przewodu może spowodować pożar. Na przewodzie zasilającym nie wolno ustawiać żadnych ciężkich przedmiotów.
- Nie wolno wkładać wtyczki do gniazdka mokrymi dłońmi.



- Nie wolno wkładać wtyczki chłodziarki do obłuzowanego gniazdka.
- Ze względów bezpieczeństwa nie wolno przyskać wodą bezpośrednio na żadne wewnętrzne i zewnętrzne części chłodziarki.

- Nie wolno rozpylać substancji zawierających łatwopalny gaz, np. propan, w pobliżu chłodziarki, ponieważ grozi to pożarem i wybuchem.
- Nie wolno stawiać na chłodziarce pojemników napełnionych wodą, ponieważ może to spowodować porażenie prądem elektrycznym lub pożar.
- Nie przeciążajcie chłodziarki nadmierną zawartością. W przeładowanej chłodziarce po otwarciu drzwiczek żywność może spadać z półek, powodując urazy użytkowników i uszkodzenia chłodziarki.
- Nie wolno stawiać żadnych przedmiotów na chłodziarce, ponieważ mogą spaść przy otwieraniu lub zamykaniu drzwiczek.
- Ponieważ szczepionki, lekarstwa wrażliwe na ciepło, materiały naukowe, itp. wymagają ściśle regulowanej temperatury, nie należy ich przechowywać w chłodziarce.
- Jeśli chłodziarka nie będzie używana przez dłuższy czas, należy wyjąć jej wtyczkę z gniazdka. Ewentualny problem z przewodem zasilającym może spowodować pożar.
- Czubki wtyczki należy regularnie czyścić suchą ściereczką, w przeciwnym razie mogą spowodować pożar.
- Jeśli nastawiane nóżki nie są bezpiecznie ustawione na podłodze, chłodziarka może się przemieszczać. Właściwe zabezpieczenie nastawianych nóżek na podłodze może temu zapobiec.
- Przy przenoszeniu chłodziarki nie chwytajcie za klamkę w drzwiczkach. W ten sposób można ją urwać.
- Gdy chłodziarkę trzeba ustawić obok innej chłodziarki lub zamrażarki, należy zachować przynajmniej 8 cm odstępu pomiędzy nimi. W przeciwnym razie przylegające do siebie ścianki mogą pokrywać się wilgocią.

Dotyczy modeli z dozownikiem wody:

Ciśnienie wody w kranie powinno wynosić przynajmniej 1 bar. Ciśnienie wody w kranie nie powinno przekraczać 8 bar.


- Należy używać wyłącznie wody pitnej.

Bezpieczeństwo dzieci

- Jeśli drzwiczki zamykane są na klucz, należy go chronić przed dostępem dzieci.
- Należy zwracać uwagę, aby dzieci nie bawiły się, manipulując chłodziarką.

Zgodność z przepisami WEEE i utylizacja zużytej chłodziarki



Symbol  na wyrobie lub opakowaniu oznacza, że wyrób ten nie może być traktowany jako odpadki domowe. Zamiast tego należy je dostarczyć do właściwego punktu zbierania surowców wtórnych z urządzeń elektrycznych i elektronicznych. Zapewniając odpowiednie złomowanie tego wyrobu przyczyniamy się do zapobiegania potencjalnie szkodliwym konsekwencjom dla środowiska naturalnego oraz zdrowia ludzi, które w przeciwnym razie mogłyby być spowodowane nieprawidłowym jego nieodpowiednim złomowaniem. Aby uzyskać bardziej szczegółowe informacje o odzyskiwaniu surowców wtórnych z tego wyrobu, prosimy skontaktować się ze swym organem administracji lokalnej, służbą oczyszczania miasta lub ze sklepem, gdzie wyrób ten został zakupiony.

Informacje opakowaniu

Materiały opakowania tego wyrobu są wykonane z surowców wtórnych, zgodnie z naszymi krajowymi przepisami dotyczącymi ochrony środowiska.

Materiałów opakunkowych nie wolno wyrzucać z odpadami z gospodarstwa domowego lub innymi. Należy przekazać je do punktu zbiórki surowców wtórnych.

Nie zapomnijcie...

Wszelkie substancje recyklingowane mają ogromne znaczenie dla środowiska i bogactwa naszego kraju.

Jeśli chcecie wziąć udział w oceniw materiałów do pakowania, skontaktujcie się z organizacjami ekologicznymi w swojej okolicy lub władzami lokalnymi.

Ostrzeżenie HCA

Jeśli system chłodniczy Waszej chłodziarki zawiera R600a:

Gaz ten jest łatwopalny. Należy zatem uważać, aby w trakcie jego użytkowania i transportu nie uszkodzić systemu i przewodów chłodzenia. W razie uszkodzenia, należy trzymać chłodziarkę z dala od potencjalnych źródeł ognia, które mogą spowodować jej pożar i należy wietrzyć pomieszczenie, w którym jest umieszczona.

Rodzaj zastosowanego gazu podano na tabliczce umieszczonej na lewej ścianie wewnątrz chłodziarki.

Nie wolno pozbywać się tego wyrobu poprzez jego spalanie.

Co robić, aby oszczędzać energię

- Nie zostawiajcie drzwiczek chłodziarki otwartych na dłużej.
- Nie wkładajcie do chłodziarki gorących potraw ani napojów.
- Nie przeladowujcie chłodziarki, ponieważ będzie to utrudniać krążenie powietrza w jej wnętrzu.
- Nie instalujcie chłodziarki tam, gdzie narażona będzie na bezpośrednie działanie słońca, ani w pobliżu urządzeń wydzielających ciepło, takich jak piecyki, zmywarki do naczyń lub grzejniki. Chłodziarkę instaluje się co najmniej 30 cm od źródeł ciepła oraz co najmniej 5 cm od kuchenek elektrycznych.
- Pamiętajcie, aby żywność przechowywać w zamkniętych pojemnikach.
- W zamrażalniku chłodziarki zmieścić można najwięcej żywności, jeśli wyjmie się z niego półkę z szufladą. Deklarowane zużycie energii przez chłodziarkę określono przy szufladach wyjętych z komory zamrażalnika. Używanie półki lub szuflady odpowiednio do kształtów i rozmiarów zamrażanej żywności jest bezpieczne.
- Rozmrażanie mrożonek w komorze zamrażalnika pozwala zarówno oszczędzać energię, jak i zachować jakość żywności.

C Trzeba dokładnie oczyścić wnętrze chłodziarki.

3 Instalacja

B W przypadku zignorowania podanych w tej instrukcji obsługi informacji, producent nie ponosi za to żadnej odpowiedzialności.

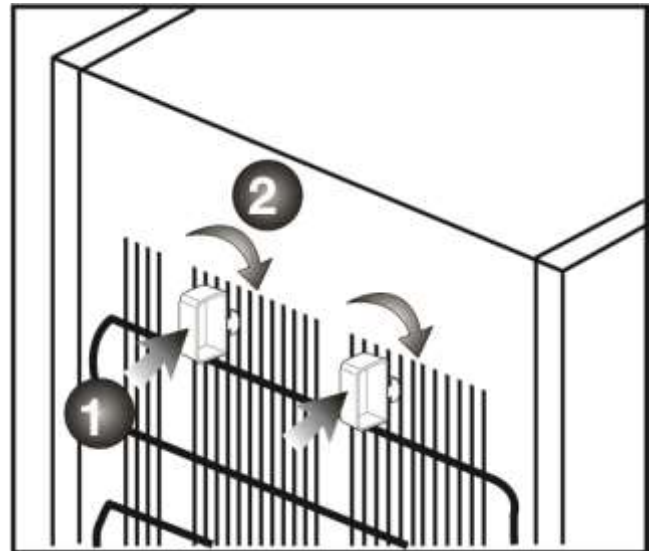
Na co należy zwrócić uwagę przy przenoszeniu chłodziarki

1. Należy wyjąć wtyczkę chłodziarki z kontaktu. Przed transportem należy chłodziarkę opróżnić i oczyścić.
2. Przed ponownym opakowaniem chłodziarki, półki, akcesoria, pojemnik na świeże warzywa itp. w jej wnętrzu należy przymocować za pomocą taśmy klejącej i zabezpieczyć przed uszkodzeniem. Opakowanie należy obwiązać grubą taśmą lub solidnym sznurem i ściśle przestrzegać zasad transportowania takich pakunków.
3. Oryginalne opakowanie i elementy z pianki należy zachować do przyszłego transportu lub przeprowadzek.

Przed uruchomieniem chłodziarki

Zanim zaczniecie korzystać z chłodziarki, sprawdźcie, co następuje:

1. Załóżcie 2 kliny z tworzywa sztucznego, jak na rysunku poniżej. Kliny z tworzywa sztucznego zapewniają odstęp dla cyrkulacji powietrza pomiędzy chłodziarką a ścianą. (Rysunek ten służy celom poglądowym i nie musi być identyczny z Waszą chłodziarką.)



2. Oczyścić wnętrze chłodziarki, zgodnie z zaleceniami podanymi w rozdziale „Konserwacja i czyszczenie”.
3. Wsadź wtyczkę chłodziarki w gniazdko w ścianie. Po otwarciu drzwiczek chłodziarki, zapali się światło w jej wnętrzu.
4. Gdy zaczyna działać sprężarka, słychać będzie jej odgłos. Płyny i gazy zawarte w systemie chłodzenia także mogą powodować szumy, nawet jeśli nie działa sprężarka i jest to zupełnie normalne.
5. Przednie krawędzie chłodziarki mogą się nagrzewać. Jest to całkiem normalne. Te obszary powinny się nagrzewać, co zapobiega skraplaniu się pary.

Połączenia elektryczne

Chłodziarkę przyłącza się do gniazdka z uziemieniem, zabezpieczonego bezpiecznikiem o odpowiedniej wydajności.

Ważne:

Przyłączenie chłodziarki musi być zgodne z przepisami krajowymi.

- Po instalacji wtyczka zasilania musi być łatwo dostępna.
- Bezpieczeństwo elektryczne tej chłodziarki gwarantuje się tylko wówczas, jeśli system uziemienia Waszej instalacji domowej spełnia wymogi norm.
- Napięcie podane na etykiecie wewnątrz chłodziarki po lewej powinno być równe napięciu w sieci.
- **Do przyłączenia nie można używać przedłużaczy ani przewodów z wieloma wtyczkami.**

B Uszkodzony przewód zasilający musi wymienić upoważniony i wykwalifikowany elektryk.

B Nie można ponownie uruchamiać produktu przed jego naprawieniem! Grozi to porażeniem elektrycznym!

Usuwanie opakowania

Materiały opakunkowe mogą być niebezpieczne dla dzieci. Należy chronić materiały opakunkowe przed dostępem dzieci, albo usunąć je zgodnie z podaną przez miejscowe władze instrukcją odpowiednią dla odpadków ich kategorii. Nie należy wyrzucać ich wraz ze zwykłymi odpadkami domowymi, ale na wyznaczony przez lokalne władze śmietnik opakowań.

Opakowanie tej chłodziarki wyprodukowano z surowców wtórnych.

Utylizacja starej chłodziarki

Starej chłodziarki należy pozbyć się tak, aby nie zaszkodzić środowisku naturalnemu.

- W sprawie utylizacji chłodziarki możecie skonsultować się z autoryzowanym sprzedawcą lub punktem zbiórki surowców wtórnych w swojej miejscowości.

Przed utylizacją chłodziarki należy odciąć wtyczkę zasilania elektrycznego, a jeśli w drzwiczkach są jakieś zamki, należy je trwale uszkodzić, aby zapobiec zagrożeniu dzieci.

Ustawienie i instalacja

A Jeśli drzwi wejściowe do pomieszczenia, w którym ma być zainstalowana chłodziarka, są zbyt wąskie, aby mogła przez nie przejść, należy wezwać autoryzowany serwis, który zdemontuje z niej drzwiczki i przeniesie ją bokiem przez drzwi.

1. Chłodziarkę należy zainstalować w miejscu, w którym łatwo będzie ją używać.
2. Chłodziarka musi stać z dala od źródeł ciepła, miejsc wilgotnych i bezpośrednio nasłonecznionych.
3. Aby uzyskać wydajną pracę chłodziarki, należy zapewnić odpowiednią wentylację wokół niej. Jeśli chłodziarka ma stanąć we wnęce w ścianie, należy zachować co najmniej 5 cm odstęp od sufitu i ściany. Nie stawiaj chłodziarki na dywanie, wykładzinie dywanowej, ani żadnym podobnym podłożu.
4. Aby uniknąć wstrząsów, chłodziarkę należy ustawić na równej powierzchni podłogi.

Wymiana lampki oświetlenia

Aby wymienić żarówkę/diodę LED używaną do oświetlenia chłodziarki, należy wezwać autoryzowany serwis.

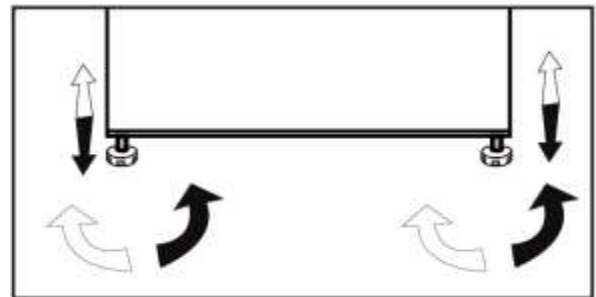
Lampa (lampy) wykorzystywane w tym urządzeniu nie są przeznaczone do oświetlania pomieszczeń. Lampa ta ma pomagać użytkownikowi wygodnie i bezpiecznie umieszczać pożywienie w lodówce/zamrażarce.

Żarówki używane w urządzeniu muszą wytrzymywać ekstremalne warunki fizyczne, jak np. temperatury poniżej -20°C.

Nastawianie nóg

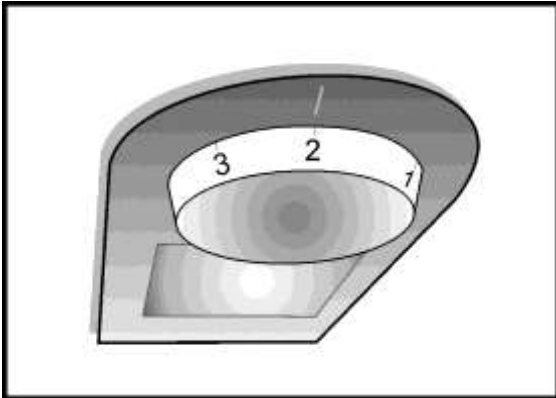
Jeśli chłodziarka nie stoi równo:

Można wyrównać jej ustawienie, obracając przednie nóżki, tak jak pokazano na rysunku. Narożnik lodówki obniża się obracając nóżkę w tym narożniku w kierunku czarnej strzałki, lub podnosi obracając nóżkę w przeciwnym kierunku. Takie działanie ułatwi lekkie uniesienie chłodziarki z pomocą innej osoby.



4 Przygotowanie

- Chłodziarkę należy zainstalować przynajmniej 30 cm od źródeł ciepła takich jak kuchenka, kaloryfer lub piec, i przynajmniej 5 cm od piecyka elektrycznego, a także należy chronić ją przed bezpośrednim działaniem słońca.
- Należy upewnić się, że wnętrze chłodziarki zostało dokładnie oczyszczone.
- Jeśli zainstalowane mają być dwie chłodziarki obok siebie, należy zachować co najmniej 2 cm odstępu między nimi.
- Przy pierwszym uruchomieniu chłodziarki należy przez pierwsze sześć godzin przestrzegać następujących instrukcji.
- Nie należy zbyt często otwierać drzwiczek.
- Należy uruchomić ją pustą, bez żadnej żywności we wnętrzu.
- Nie należy wyjmować wtyczki chłodziarki z gniazdka. W przypadku awarii zasilania, której nie można samemu naprawić, należy zastosować się do ostrzeżenia z rozdziału „Zalecane rozwiązania problemów”.
- Produkt jest przeznaczony do pracy w temperaturze nieprzekraczającej 43°C.



Przycisk nastawiania termostatu

Temperatura wewnątrz lodówki zmienia się z następujących powodów:

- Różnice temperatur w różnych porach roku,
- Częste otwieranie drzwiczek i niezamykanie ich przez dłuższy czas.
- Wkładanie do chłodziarki żywności bez uprzedniego ochłodzenia jej do temperatury pokojowej.
- Umieszczenie chłodziarki w pomieszczeniu (np. bezpośrednio oddziaływanie słońca).
- Zmieniającą się z tych powodów temperaturę we wnętrzu chłodziarki można regulować przy pomocy termostatu. Liczby wokół przycisku termostatu odpowiadają różnej intensywności chłodzenia.
- Jeśli temperatura otoczenia przekracza 32°C, należy przekręcić przycisk termostatu do pozycji maksymalnej.
- Jeśli temperatura otoczenia jest niższa od 25°C, należy przekręcić przycisk termostatu do pozycji minimalnej.

Rozmrażanie

A) Komora chłodziarki

Komora chłodzenia rozmraża się w pełni automatycznie. Gdy lodówka się chłodzi, na tylnej ścianie wewnątrz komory chłodzenia mogą wystąpić krople wody i szron grubości 7-8 mm. Jest to zupełnie normalny skutek działania systemu chłodzącego. Osady szronu rozmraża się w drodze automatycznego rozmrażania wykonywanego co pewien czas przez system automatycznego rozmrażania ściany tylnej. Użytkownicy nie muszą zadrapywać szronu ani wycierać kropli wody.

Woda z rozmrażania spływa rowkiem zbierania wody i dalej rurką ściekową do parownika, skąd sama odparowuje.

Sprawdzajcie regularnie, czy rurka ściekowa nie zatkana się, i w razie potrzeby przetykajcie ją drążkiem.

W komorze głębokiego zamrażania nie ma automatycznego rozmrażania, aby zapobiec psuciu się zamrożonej żywności.

B) Komora zamrażalnika

Dzięki specjalnemu zbiornikowi wody rozmrożonej rozmrażanie jest bardzo proste i łatwe.

Rozmrażaj dwa razy w roku, lub jeśli powstanie warstwa szronu ok. 7 mm grubości. Aby rozpocząć procedurę rozmrażania wyłącz zasilanie elektryczne gniazdka i wyjmij z niego wtyczkę chłodziarki.

Cała żywność powinna być zawinięta w kilka warstw papieru gazetowego i złożona w chłodnym miejscu (chłodni lub spiżarni).

Aby przyspieszyć rozmrażanie można do zamrażalnika ostrożnie wstawić naczynia z ciepłą wodą.

Do usuwania szronu nie używaj ostro zakończonych przedmiotów takich jak noże lub widelce.


Do rozmrażania nie używaj suszarek do włosów, grzejników elektrycznych, ani żadnych innych urządzeń elektrycznych. Użyj gąbki do usunięcia rozmrożonej wody zbierającej się

na dnie komory zamrażalnika. Po rozmrożeniu starannie wytrzyj wnętrze komory do sucha, a następnie włóż wtyczkę do gniazdka.

Zamrażanie żywności świeżej

- Przed włożeniem do chłodziarki żywność świeżą należy opakować lub przykryć.
- Przed włożeniem do chłodziarki gorące potrawy trzeba najpierw ostudzić do temperatury pokojowej.
- Żywność przeznaczona do zamrożenia musi być świeża i dobrej jakości.
- Żywność należy podzielić na porcje, stosownie do dziennych potrzeb konsumpcyjnych rodziny.
- Żywność musi być hermetycznie zapakowana, aby zapobiec jej wysychaniu, nawet jeśli ma być przechowywana przez krótki czas.
- Materiały użyte do opakowania muszą być mocne i odporne na zimno, wilgotność, zapachy, olej i kwas, a także muszą być hermetyczne. Ponadto muszą być dobrze zamknięte i zrobione z materiałów łatwych do użycia i nadających się do zastosowania przy głębokim zamrażaniu.
- Zamrożoną żywność należy spożywać bezpośrednio po rozmrożeniu i nie wolno jej ponownie zamrażać.
- Aby uzyskać najlepsze rezultaty, należy przestrzegać następujących instrukcji.
 1. Nie należy zamrażać zbyt dużych ilości żywności na raz. Jakość żywności zachowuje się najlepiej zamrażając ją na wskroś najszybciej, jak to możliwe.
 2. Umieszczenie w komorze zamrażalnika żywności ciepłej powoduje ciągłą pracę systemu chłodzącego aż do całkowitego jej zamrożenia.
 3. Należy specjalnie zadbać, aby nie mieszać żywności już zamrożonej ze świeżą.
- Przed włożeniem do chłodziarki gorące potrawy i napoje trzeba najpierw ostudzić do temperatury pokojowej.
- Maksymalną ilość przechowywanych mrozonek można osiągnąć, nie używając szuflad i pokrywy półki górnej umieszczonej w komorze zamrażania. Zużycie energii przez chłodziarkę określono przy całkowicie wypełnionej komorze zamrażania i nie używając szuflad i pokrywy półki górnej.
- W razie przerwy w zasilaniu elektrycznością nie należy otwierać drzwiczek. Nawet jeśli awaria zasilania trwa aż do upływu "Czasu podnoszenia temperatury" podanego w rozdziale "Dane techniczne chłodziarki", nie zaszkodzi to przechowywanym mrożonkom. Jeśli awaria zasilania trwa dłużej, żywność trzeba sprawdzić i w razie konieczności trzeba ją natychmiast spożyć albo zamrozić po zagotowaniu.
- Przy zakupie żywności należy zwrócić uwagę na termin przydatności do spożycia, a także maksymalny dozwolony okres oraz zalecaną temperaturę przechowywania. Jeśli termin termin przydatności do spożycia upłynął, nie jedz tego.

Zalecenia co do przechowywania mrożonek

Pakowane mrożonki ze sklepu należy przechowywać zgodnie z instrukcjami ich producentów dla  (4-gwiazdkowych) komór do przechowywania mrożonek.

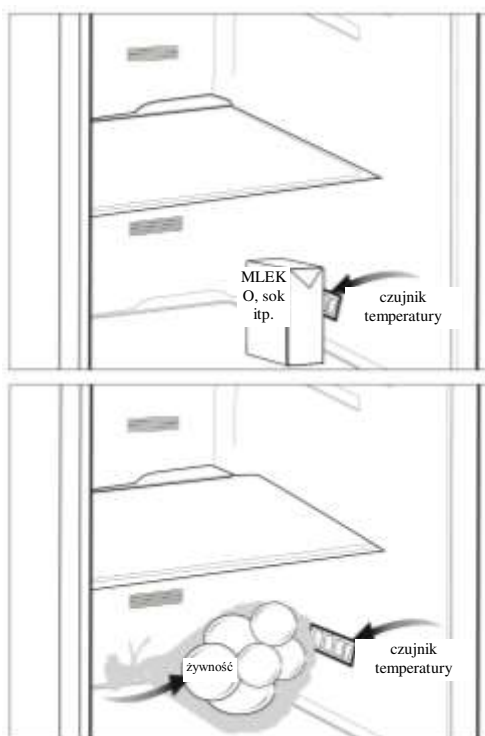
- Aby utrzymać wysoką jakość mrożonek, którą zapewnili im producenci i sprzedawcy detaliczni należy pamiętać, co następuje:

1. Paczki z mrożonkami należy wkładać do zamrażalnika możliwie szybko po ich zakupie.
2. Sprawdzić, czy paczki zaopatrzone są w etykiety oznaczające zawartość oraz datę.
3. Nie przekraczajcie terminów podanych na opakowaniu jako terminy przydatności do spożycia.

Zalecenia co do komory na żywność świeżą

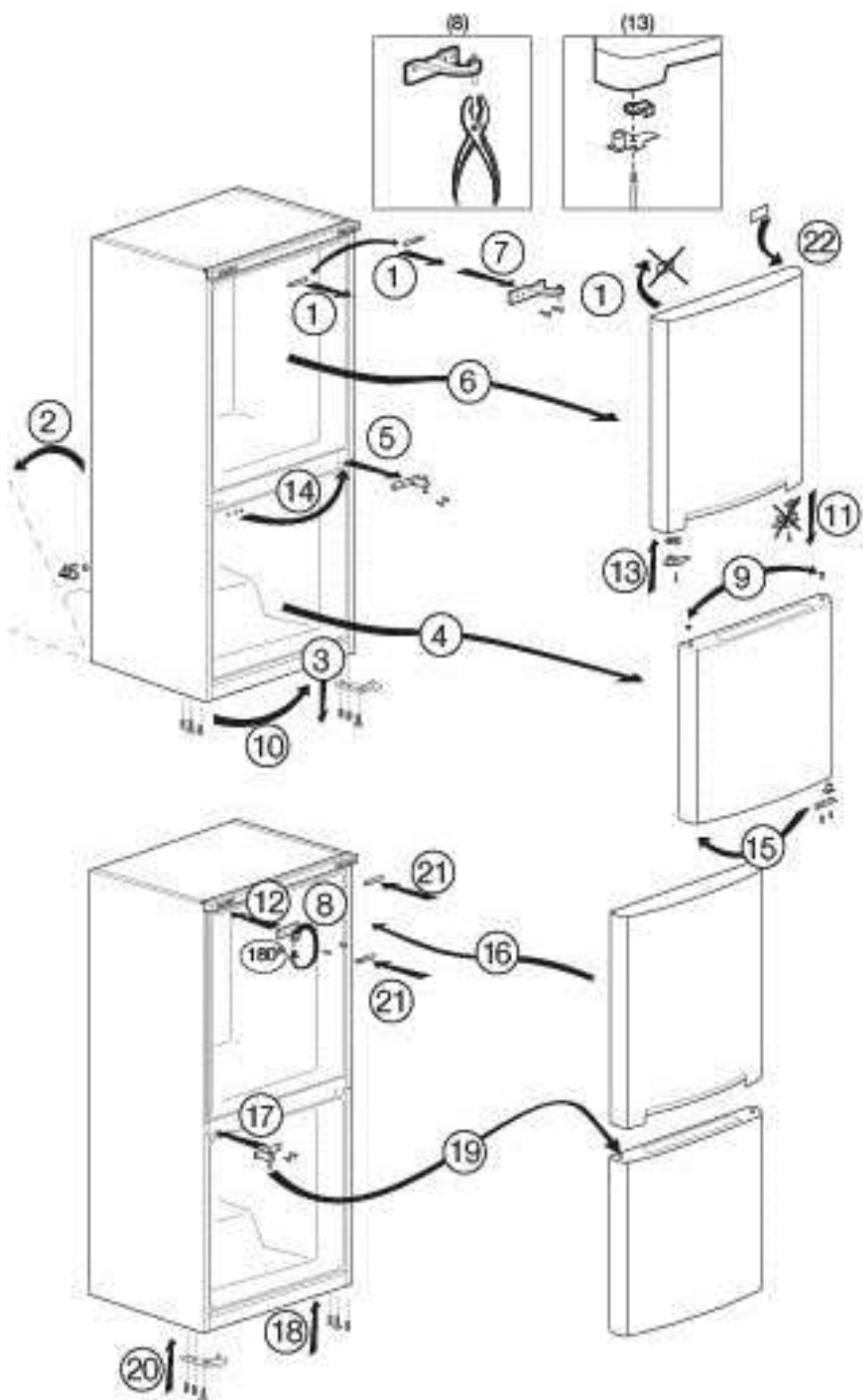
*opcja

- Nie należy dopuszczać do tego, aby żywność dotykała czujnika temperatury w komorze na żywność świeżą. Aby można było utrzymać idealną temperaturę w komorze na żywność świeżą, żywność nie może zasłaniać tego czujnika.
- Do chłodziarki nie wolno wkładać gorącej żywności.



Przekładanie drzwiczek

Postępuj w kolejności zgodnej z numeracją.



- A** Do czyszczenia chłodziarki nie wolno używać benzyny, benzenu ani podobnych substancji.
- B** Zaleca się wyjęcie wtyczki chłodziarki z gniazdka przed jej czyszczeniem.
- B** Do czyszczenia nie wolno stosować żadnych szorstkich narzędzi, mydła, domowych środków czystości, detergentów ani wosku do polerowania.
- C** Należy umyć obudowę chłodziarki letnią wodą i wytrzeć ją do sucha.
- C** Wnętrze należy czyścić wyżętą ściereczką zamoczoną w roztworze jednej łyżeczki do herbaty sody oczyszczonej w 0,5 litra wody, a następnie wytrzeć do sucha.
- B** Należy zadbać, aby do obudowy lampki i innych urządzeń elektrycznych nie dostała się woda.
- B** Jeśli chłodziarka ma być nieużywana przez dłuższy okres czasu, należy ją wyłączyć i całkowicie opróżnić z żywności, oczyścić i pozostawić z uchylonymi drzwiczkami.
- C** Należy regularnie sprawdzać, czy uszczelki w drzwiczkach są czyste i nie osadzają się na nich cząstki żywności.
- A** Aby wyjąć półki z drzwiczek, należy opróżnić je z zawartości, a potem po prostu nacisnąć od podstawy ku górze.
- A** Do czyszczenia powierzchni zewnętrznych i chromowanych części produktu nie należy używać środków czyszczących ani wody z zawartością chloru. Chlor powoduje korozję takich powierzchni metalowych.

Jak unikać nieprzyjemnych zapachów

Do wyrobu chłodziarek nie są używane materiały powodujące nieprzyjemne zapachy.

Jednak w wyniku niewłaściwego przechowywania żywności i nieczyszczenia wnętrza chłodziarki mogą powstawać nieprzyjemne zapachy. Aby uniknąć tego problemu, zwracaj uwagę na następujące sprawy:

- Ważne jest utrzymywanie chłodziarki w czystości.
- Nieprzyjemne zapachy mogą być powodowane przez resztki żywności, plamy itd. A zatem co 15 dni czyść chłodziarkę roztworem węgla w wodzie. Nie używaj detergentów ani mydła.
- Żywność przechowuj w zamkniętych pojemnikach. Wydostające się z odkrytych pojemników mikroorganizmy mogą powodować nieprzyjemne zapachy.
 - W chłodziarce nie wolno przechowywać żywności zepsutej ani takiej, której termin przydatności do spożycia upłynął.

Zabezpieczenia powierzchni plastikowych

C Nie należy wkładać do chłodziarki oleju ani potraw smażonych na oleju w nieszczelnych pojemnikach, ponieważ może to uszkodzić jej plastikowe powierzchnie. W razie rozlania się lub rozsmarowania oleju na plastikowej powierzchni, od razu oczyścić i opłukać ciepłą wodą jej zabrudzoną część.

7 Usuwanie usterek

Prosimy zapoznać się z tym wykazem przed wezwaniem serwisu. Może to oszczędzić Wasz czas i pieniądze. Wykaz ten zawiera częste kłopoty, które nie wynikają z wadliwego wykonania ani zastosowania wadliwych materiałów. Niektóre z opisanych tu funkcji mogą nie występować w tym modelu urządzenia.

Chłodziarka nie działa.

- Wtyczka nie jest prawidłowo włożona do gniazdka. >>>Włóż wtyczkę do gniazdka prawidłowo.
- Zadziałał bezpiecznik gniazdka, do którego chłodziarka jest przyłączona, albo bezpiecznik główny. >>>Sprawdź bezpiecznik.

Skropliny na bocznej ścianie komory chłodzenia (MULTIZONE, COOL CONTROL oraz FLEXI ZONE).

- Bardzo zimne otoczenie. >>>Nie instaluje się chłodziarki w miejscu, gdzie temperatura spada poniżej 10°C.
- Zbyt często otwierano drzwiczki. >>>Rzadziej otwieraj i zamykaj drzwiczki chłodziarki.
- Bardzo wilgotne otoczenie. >>>Nie instaluje się chłodziarki w miejscach bardzo wilgotnych.
- Żywność o zawartości płynu przechowywana jest w otwartych pojemnikach. >>>Nie przechowuj żywności w płynie w otwartych pojemnikach.
- Drzwiczki chłodziarki pozostawiono uchylone. >>>Zamknij drzwiczki chłodziarki.
- Termostat ustawiony na bardzo niską temperaturę. >>>Nastaw termostat na odpowiednią temperaturę.

Sprężarka nie działa

- Zabezpieczenie termiczne sprężarki zadziała w trakcie nagłego zaniku zasilania lub załącza się i wyłącza, ponieważ nie wyrównało się jeszcze ciśnienie w systemie chłodzącym chłodziarki. Chłodziarka zacznie działać po ok. 6 minutach. Jeśli po upływie tego czasu chłodziarka nie zacznie działać, prosimy wezwać serwis.
- Chłodziarka jest w cyklu rozmrażania. >>>To normalne dla chłodziarki z całkowicie automatycznym rozmrażaniem. Cykl rozmrażania następuje okresowo.
- Chłodziarka nie jest włączona do gniazdka. >>>Upewnij się, że wtyczka jest włożona do gniazdka.
- Nieprawidłowo nastawiono temperaturę. >>> Wybierz odpowiednią temperaturę.
- Przerwa w zasilaniu elektrycznym. >>>Chłodziarka powróci do normalnej pracy po przywróceniu zasilania.

Gdy chłodziarka pracuje, poziom hałasu wrasta.

- Z powodu zmian temperatury otoczenia zmieniły się charakterystyki eksploatacyjne chłodziarki. Jest to stan normalny, nie awaria.

Chłodziarka pracuje często lub przez zbyt długi czas.

- Nowa chłodziarka może być szersza od poprzedniej. Większe chłodziarki działają przez dłuższy czas.
- Zbyt wysoka temperatura pokojowa. >>>To normalne, że w gorącym otoczeniu chłodziarka pracuje dłużej.
- Chłodziarka została niedawno załączona lub jest przeładowana żywnością. >>>Gdy chłodziarka została niedawno włączona do gniazdka lub naładowana żywnością, osiągnięcie nastawionej temperatury potrwa dłużej. Jest to całkiem normalne.
- Ostatnio włożono do chłodziarki znaczne ilości gorącej żywności. >>>Nie wkłada się gorącej żywności do chłodziarki.
- Zbyt często otwierano drzwiczki lub na dłużej pozostawiano je uchylone. >>>Ciepłe powietrze, które dostało się do chłodziarki, powoduje, że działa ona dłużej. Nie otwierajcie drzwiczek zbyt często.
- Pozostawiono uchylone drzwiczki komory chłodzenia lub zamrażania. >>>Sprawdź, czy drzwiczki są całkowicie zamknięte.
- Chłodziarka jest nastawiona na bardzo niską temperaturę. >>>Nastaw chłodziarkę na wyższą temperaturę i odczekaj, aż zostanie ona osiągnięta.
- Uszczelka w drzwiczkach chłodziarki lub zamrażalnika jest zabrudzona, uszkodzona, pęknięta lub nieprawidłowo włożona. >>>Oczyść lub wymień uszczelkę. Uszkodzona/pęknięta uszczelka powoduje, że lodówka pracuje przez dłuższy czas, aby utrzymać bieżącą temperaturę.

Temperatura zamrażalnika jest bardzo niska, a temperatura chłodzenia jest wystarczająca.

- Chłodziarka jest nastawiona na bardzo niską temperaturę zamrażania. >>>Nastaw chłodziarkę na wyższą temperaturę zamrażania i sprawdź.

Temperatura chłodzenia jest bardzo niska, a temperatura zamrażania jest wystarczająca.

- Chłodziarka jest nastawiona na bardzo niską temperaturę chłodzenia >>>Nastaw chłodziarkę na wyższą temperaturę chłodzenia i sprawdź.

Żywność przechowywana w szufladach komory chłodzenia zamarza.

- Chłodziarka jest nastawiona na bardzo wysoką temperaturę chłodzenia >>>Nastaw chłodziarkę na niższą temperaturę chłodzenia i sprawdź.

Bardzo wysoka temperatura w chłodziarce lub zamrażalniku.

- Chłodziarka jest nastawiona na bardzo wysoką temperaturę chłodzenia. >>>Nastawienia komory chłodzenia wpływają na temperaturę w zamrażalniku. Zmień temperaturę zamrażalnika lub chłodziarki i odczekaj, aż temperatura w odnośnej komorze osiągnie odpowiedni poziom.
- Zbyt często otwierano drzwiczki lub na dłużej pozostawiano je uchylone. >>>Nie otwieraj drzwiczek zbyt często.
- Pozostawiono uchylone drzwiczki. >>>Szczelnie zamknij drzwiczki..
- Chłodziarkę załączono lub załadowano niedawno żywnością. >>>Jest to całkiem normalne. Gdy chłodziarka została niedawno włączona do gniazdka lub naładowana żywnością, osiągnięcie nastawionej temperatury potrwa dłużej.
- Ostatnio włożono do chłodziarki znaczne ilości gorącej żywności. >>>Nie wkłada się gorącej żywności do chłodziarki.

Drgania lub hałas.
<ul style="list-style-type: none"> • Podłoga nie jest równa lub dość stabilna. >>> Jeśli chłodziarka kołysze się przy powolnym poruszeniu, wyrównaj jej położenie, odpowiednio nastawiając nóżki. Sprawdź także, czy podłoga jest równa i wytrzymuje ciężar chłodziarki. • Przedmioty postawione na chłodziarce mogą powodować hałas. >>>Zdejmij wszystko z chłodziarki.
Z chłodziarki dochodzą odgłosy przelewania się i syczenia płynu.
<ul style="list-style-type: none"> • Zgodnie z zasadą funkcjonowania chłodziarki następują przepływy płynu lub gazu. Jest to stan normalny, nie awaria.
Z chłodziarki dochodzi świst.
<ul style="list-style-type: none"> • Do ochłodzenia chłodziarki użyto wentylatorów. Jest to stan normalny, nie awaria.
Skropliny na wewnętrznych ściankach chłodziarki.
<ul style="list-style-type: none"> • Ciepła i wilgotna pogoda sprzyja oblodzeniu i skraplaniu. Jest to stan normalny, nie awaria. • Zbyt często otwierano drzwiczki lub na dłużej pozostawiano je uchylone. >>>Nie otwieraj drzwiczek zbyt często. Jeśli są otwarte, zamknij je. • Pozostawiono uchylone drzwiczki. >>>Szczelnie zamknij drzwiczki..
Na zewnątrz chłodziarki, lub pomiędzy drzwiczkami pojawia się wilgoć.
<ul style="list-style-type: none"> • Być może w powietrzu jest wilgoć; to całkiem normalne przy wilgotnej pogodzie. Gdy wilgoć w powietrzu ustąpi, skropliny znikną.
Nieprzyjemna woń wewnątrz chłodziarki.
<ul style="list-style-type: none"> • Nie wykonuje się regularnego czyszczenia. >>>Regularnie czyść wnętrze chłodziarki gąbką namoczoną w ciepłej wodzie lub roztworze sody oczyszczonej. • Nieprzyjemny zapach powodują jakieś pojemniki lub materiały opakowaniowe. >>>Używaj innych pojemników lub materiałów opakowaniowych innej marki. • Do chłodziarki wstawiono żywność w niezamkniętych pojemnikach. >>>Żywność przechowuje się w zamkniętych pojemnikach. Wydostające się z odkrytych pojemników mikroorganizmy mogą powodować nieprzyjemne zapachy. • Wyjmuj z chłodziarki produkty, które przekroczyły termin przydatności do spożycia.
Nie można zamknąć drzwiczek.
<ul style="list-style-type: none"> • Opakowania z żywnością uniemożliwiają zamknięcie drzwiczek. >>>Przełóż na inne miejsce żywność, która przeszkadza w zamknięciu drzwiczek. • Chłodziarka nie stoi całkiem równo na podłodze. >>>Nastaw nóżki chłodziarki, aby wyrównać jej położenie. • Podłoga nie jest równa lub dość wytrzymała. >>>Sprawdź, czy podłoga jest równa i wytrzymuje ciężar chłodziarki.
Szuflady do przechowywania świeżych warzyw się zablokowały.
<ul style="list-style-type: none"> • Żywność dotyka sufitu szuflady. >>>Zmień ułożenie żywności w szufladzie.

4578336008/AI
EN-FR-D-PL