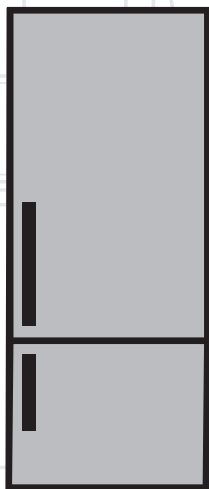


# Refrigerator

User manual



RCNE560E30ZXP

RCNE560E30DZXP

RCNE560I30DXB

RCNE560E30DZXB

RCNE560E30ZXB

EN | RO | CZ

**beko**

## **Please read this manual before using the product!**

Dear Valued Customer,





We wish you to get the best results from your product that has been manufactured meticulously at modern plants and tested with detailed quality control checks.

For this reason, we recommend that you read this user manual thoroughly before starting the product. If you hand over the product to someone else, please remember to give the user manual as well.

### **This manual will help you use your appliance in a fast and safe way.**

- Please read this user manual carefully before installing and using the product.
- Always follow the applicable safety instructions.
- Keep the user manual in an easily accessible place for further use.
- Please read all the other documents provided with the product.

Please keep in mind that this manual may apply to several product models. This manual expressly indicates the differences between various models.

	Important information and useful hints.
	Risk of injury and property damage.
	Risk of electric shock.
	Packaging materials of this product has been manufactured from recyclable materials in accordance with the National Environment Regulations.

---

## **1 Important Instructions Regarding Safety and Environment** **3**

---

1.1. General Safety . . . . .	3
1.1.1 Hydrocarbon (HC) Warning . . . . .	5
1.1.2 For Products with a Water Dispenser/Ice Machine	5
1.2. Intended Use . . . . .	6
1.3. Children's Safety . . . . .	6
1.4. Compliance with the WEEE Directive and Disposing the Waste Product: . . . . .	6
1.5. Compliance with the RoHS Directive: . . . . .	6
1.6. Packaging Information . . . . .	6

## **2 Your Refrigerator** **7**

---

### **3 Installation** **8**

---

3.1. Right place for installation. . . . .	8
3.2. Attaching the plastic wedges . . . . .	8
3.3. Adjusting the stands . . . . .	8
3.4. Power connection. . . . .	8
3.5. Reversing the doors . . . . .	9
3.6. Reversing the doors . . . . .	10

### **4 Preparation** **11**

---

4.1. What to do for energy saving . . . . .	11
4.2. First Use . . . . .	11

## **5 Using the product** **12**

---

5.1. Temperature adjustment button . . . . .	12
5.2. Rapid freezing . . . . .	12
5.3. Vacation function . . . . .	13
5.4. Thermostat setting button . . . . .	14
5.5. Thermostat setting button . . . . .	14
5.6. Defrost. . . . .	14
5.7. Indicator panel . . . . .	15
5.8. Indicator panel . . . . .	16
5.9. Indicator panel . . . . .	18
5.10. Indicator panel . . . . .	21
5.11. Ice bucket . . . . .	23
5.12. Eggholder . . . . .	23
5.13. Fan . . . . .	23
5.14. Vegetable bin . . . . .	23
5.15. Zero degree compartment . . . . .	23
5.16. Using the second crisper of the product; . . . . .	24
5.17. Moving door rack . . . . .	25
5.18. Sliding storage box . . . . .	25
5.19. Deodoriser Module . . . . .	25
5.20. Moisture controlled vegetable bin . . . . .	26
5.21. Automatic ice machine . . . . .	26
5.22. Icematic and ice storage container . . . . .	27
5.23. Using the water dispenser . . . . .	27
5.24. Filling the water dispenser's tank . . . . .	28
5.25. Cleaning the water tank . . . . .	28
5.26. Drip tray. . . . .	29
5.27. HerbBox/HerbFresh . . . . .	29
5.28. Freezing fresh food. . . . .	30
5.29. Recommendations for storing frozen foods . . . . .	30
5.30. Deep freezer details . . . . .	31
5.31. Placing the food . . . . .	31
5.32. Door open alert . . . . .	31
5.33. Changing the opening direction of the door . . . . .	31
5.34. Interior light . . . . .	31

### **6 Care and Cleaning** **32**

---

6.1. Avoiding Bad Odours . . . . .	32
6.2. Protection of plastic surfaces . . . . .	32
6.3. Cleaning the Inner Surface . . . . .	32
6.4. Stainless Steel Outer Surfaces . . . . .	32
6.5. Cleaning Products with Glass Doors . . . . .	33

### **6 Care and Cleaning** **33**

---





### **7 Troubleshooting** **34**

---

# 1 Important Instructions Regarding Safety and Environment

This chapter contains safety information that will help you avoid the risk personal injury or property damage. Failure to follow these instructions shall render any product warranty void.

## Intended use

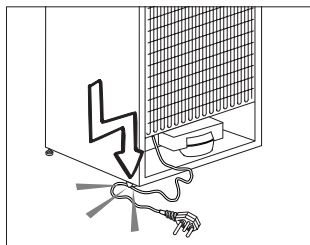
	<b>WARNING:</b> Keep ventilation openings, in the appliance enclosure or in the built-in structure, clear of obstruction.
	<b>WARNING:</b> Do not use mechanical devices or other means to accelerate the defrosting process, other than those recommended by the manufacturer.
	<b>WARNING:</b> Do not damage the refrigerant circuit.
	<b>WARNING:</b> Do not use electrical appliances inside the food storage compartments of the appliance, unless they are of the type recommended by the manufacturer.

This appliance is intended to be used in household and similar applications such as

- staff kitchen areas in shops, offices and other working environments;
- farm houses and by clients in hotels, motels and other residential type environments;
- bed and breakfast type environments;
- catering and similar non-retail applications.

## 1.1. General Safety

- Persons with physical, sensory or mental disabilities; persons who lack experience and information and children should not approach, enter or play with the product.
- Failure to follow the instructions and uncontrolled use of the product lead to dangerous results!
- Unplug the product if you encounter a failure during use.
- If the product malfunctions, it must not be operated until repaired by the authorised service provider. Risk of electric shock!
- Plug the product into a grounded socket protected by a fuse that corresponds to the value on its nameplate. Have a qualified electrician ground the product. Our company cannot be held responsible for damages resulting from the failure to use the product with a grounded socket pursuant to local regulations.
- Unplug the product when not in use.
- Never wash the product by spreading or pouring water onto it! Risk of electric shock!
- Never touch the plug with wet hands!
- Never unplug the product by pulling the cable. Always pull the plug by holding the socket.



## Safety and environment instructions

- Do not plug the refrigerator if the wall socket is loose.
- Never connect your refrigerator to energy saving devices. Such systems are harmful to your product.
- Unplug the product during installation, care, cleaning and repairing procedures.
- Always have the **Authorised Service Provider** install the product and establish its electrical connections. The manufacturer cannot be held responsible for damages caused by procedures performed by unauthorised persons.
- Do not eat cone ice cream or ice cubes immediately after you take them out of the freezer compartment! This may cause frostbite in your mouth!
- Do not touch frozen food with wet hands! They may stick to your hand!
- Do not put bottled or canned liquid beverages in the freezer compartment. They may burst!
- Never use steam or steam cleaners to clean or defrost the refrigerator. Steam gets into contact with the live parts in your refrigerator, causing short circuit or electric shock!
- Do not use mechanical devices or other means to accelerate the defrosting process other than those recommended by the manufacturer.
- Never use the parts in your refrigerator such as the door and drawer as a means of support or step. This may cause the product to tip over or damage the parts of it.
- Do not damage the parts where the refrigerant is circulating with drilling or cutting tools. The refrigerant that might blow out when the gas channels of the evaporator, pipe extensions or surface coatings are punctured causes skin irritations and eye injuries.
- Do not cover or block the ventilation holes in your refrigerator with any object.
- Place the beverage with higher proofs tightly closed and vertically.
- Do not use gaseous sprays near the product since there is the risk of fire or explosion!
- Flammable items or products that contain flammable gases (e.g. spray) as well as explosive materials should never be kept in the appliance.
- Do not place vessels filled with liquid onto the product. Splashing water on an electrical part may cause electric chock or the risk of fire.
- Do not store items that need precise temperature adjustment (such as vaccines, heat-sensitive medication, science materials etc.) in the refrigerator.
- If you are not going to use the product for a long time, unplug it and remove the food in it.
- If there is a blue light on the refrigerator, do not look at this light with optical tools.
- Exposing the product to rain, snow, sun or wind is dangerous in terms of electrical safety.
- In products with mechanical control (thermostat), wait for 5 minutes to plug in the product again after unplugging.
- Do not overload the refrigerator. Objects in the refrigerator may fall down when the door is opened, causing injury or damage. Similar

## Safety and environment instructions




problems may arise if any object is placed onto the product.

- If the product has a door handle, do not pull the handle when re-locating the product. The handle might be loose.
- Be careful not to jam your hand or any other body part in the moving parts of the refrigerator.
- Do not put your hand or any other foreign materials into the ice machine while it is operating.

### 1.1.1 Hydrocarbon (HC) Warning

- If your product's cooling system contains R600a:

This gas is flammable. Therefore, pay attention not to damage the cooling system or the piping during use and transportation. If damaged, keep the product away from potential fire sources that may cause it to catch fire and ventilate the room where the product is placed.

	If the product is damaged and if you see gas leak, please keep away from the gas. It may cause frostbite when it gets into contact with the skin. (including R134)
	Ignore this warning if the cooling system of your product contains R134a.
	Type of gas used in the product is stated on the type plate which is on the left wall inside the refrigerator.



### WARNING:

Never throw the product into fire for disposal.

### 1.1.2 For Products with a Water Dispenser/Ice Machine

- Pressure for cold water inlet shall be maximum 90 psi (620 kPa). If your water pressure exceeds 80 psi (550 kPa), use a pressure limiting valve in your mains system. If you do not know how to check your water pressure, ask for the help of a professional plumber.
- If there is a risk of water impact in your installation, always use a water impact protection equipment in that installation. Please consult professional plumbers if you are not sure if there is water impact in your installation.
- Do not make installation on the hot water inlet.
- Use drinking water only.
- Take the necessary measures against the freezing risk of the hoses. The water temperature operating range must be 0.6°C (33°F) minimum and 38°C (100°F) maximum.



### WARNING:

Never connect the product to a cold water mains with a pressure of 550 kPa (80 psi) or above.

## Safety and environment instructions

### 1.2. Intended Use

- This product has been designed for domestic use. It is not suitable for commercial use and it must not be used out of its intended use.
- It must be used only for storing food.
- The manufacturer will not take any responsibility for damages resulting from improper use or transport.
- Original spare parts will be available for 10 years after the purchase date of the product.

### 1.3. Children's Safety

- If there is a lock on the door of the product, the key should be kept out of the reach of children.
- Do not let children play with the product.

#### **DANGER:**

Before disposing your old refrigerator or freezer:

- Children may get locked inside.
- Remove the doors.
- Leave the shelves to prevent children from getting inside the product easily.



### 1.4. Compliance with the WEEE Directive and Disposing the Waste Product:



This product conforms to the EU WEE Directive (2012/19 EU). This product bears a classification symbol for waste electrical and electronic equipment (WEEE). This product has been manufactured from high quality parts and materials which can be reused and are suitable for recycling. Therefore, do not dispose the product with normal domestic waste or other waste at the end of its service life. Take it to a collection centre for recycling electrical and electronic equipment. Please consult local authorities to learn about the locations of such collection centres.

### 1.5. Compliance with the RoHS Directive:

The unit you have purchased conforms to the EU RoHS Directive (2011/65/EU). It does not contain harmful or prohibited materials specified in the Directive.

### 1.6. Packaging Information

- Packaging materials of the product have been manufactured from recyclable materials in accordance with our National Environment Regulations. Do not dispose the packaging materials with normal domestic waste or other types of waste. Take these materials to a recycling point designated by local authorities.

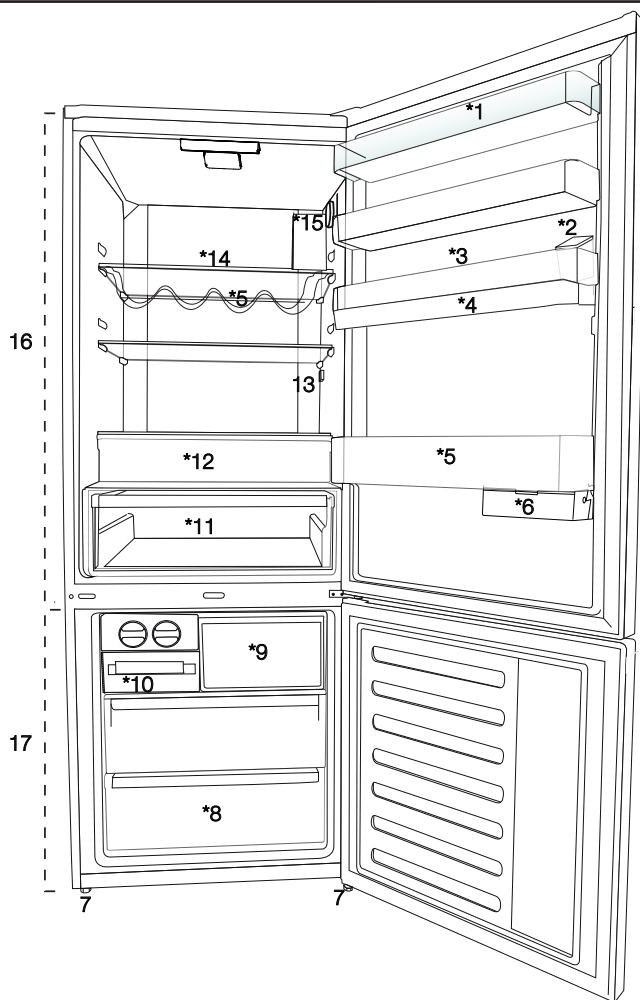
#### **DANGER:**

##### **Risk of Fire or Explosion:**

- This product uses flammable refrigerant.
- Do not use mechanical devices to defrost the refrigerator.
- Do not use chemicals for cleaning.
- Do not pierce the refrigerant pipe.
- If the refrigerant pipe is pierced, it must be repaired only by licensed service personnel.
- Please consult the repair/user manual before cleaning the product. All safety instructions must be followed.
- Dispose the product according to federal or local regulations.



## 2 Your Refrigerator



1. Cooler compartment door shelf
2. Water dispenser filling tank
3. Egg section
4. Water dispenser reservoir
5. Bottle shelf
6. Sliding storage box
7. Adjustable legs
8. Deep freezer compartment
9. Quick freeze compartment
10. Ice cube tray & Ice bank

11. Vegetable bin
12. Zero degree compartment
13. Interior light
14. Cooler compartment glass shelf
15. Temperature adjustment button
16. Cooler compartment
17. Freezer compartment

**May not be available in all models**






**\*optional:** Pictures given in this manual are given as example figures and they may not be exactly the same as your product. If your product does not comprise the relevant parts, the information pertains to other models.



### 3.1. Right place for installation

Contact the Authorized Service for the product's installation. To ready the product for installation, see the information in the user guide and make sure the electric and water utilities are as required. If not, call an electrician and plumber to arrange the utilities as necessary.

	<b>WARNING:</b> The manufacturer assumes no responsibility for any damage caused by the work carried out by unauthorized persons.
	<b>WARNING:</b> The product's power cable must be unplugged during installation. Failure to do so may result in death or serious injuries!
	<b>WARNING:</b> If the door span is too narrow for the product to pass, remove the door and turn the product sideways; if this does not work, contact the authorized service.

- Place the product on a flat surface to avoid vibration.
- Place the product at least 30 cm away from the heater, stove and similar sources of heat and at least 5 cm away from electric ovens.
- Do not expose the product to direct sunlight or keep in damp environments.
- The product requires adequate air circulation to function efficiently.
- If the product will be placed in an alcove, remember to leave at least 5 cm distance between the product and the ceiling and the walls.
- Do not install the product in environments with temperatures below -5°C.

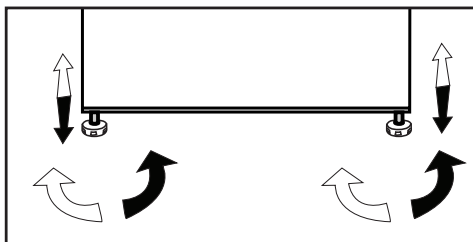
### 3.2. Attaching the plastic wedges

Use the plastic wedges in the provided with the product to provide sufficient space for air circulation between the product and the wall.




1. To attach the wedges, remove the screws on the product and use the screws provided with the wedges.
2. Attach 2 plastic wedges on the ventilation cover as shown in the figure.

### 3.3. Adjusting the stands


If the product is not in balanced position, adjust the front adjustable stands by rotating right or left.



### 3.4. Power connection

	<b>WARNING:</b> Do not use extension or multi sockets in power connection.
	<b>WARNING:</b> Damaged power cable must be replaced by Authorized Service.
	When placing two coolers in adjacent position, leave at least 4 cm distance between the two units.

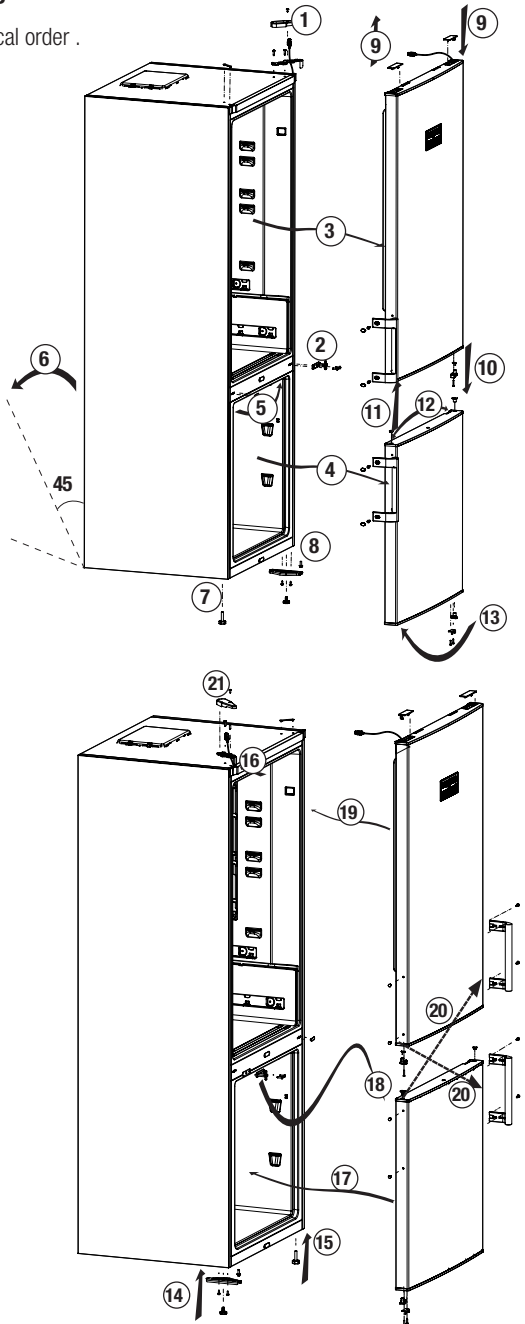
- Our firm will not assume responsibility for any damages due to usage without earthing and power connection in compliance with national regulations.
- The power cable plug must be easily accessible after installation.
- Do not use multi-group plug with or without extension cable between the wall socket and the refrigerator.

	<b>Hot Surface Warning!</b> Side walls of your product is equipped with refrigerant pipes to improve the cooling system. Refrigerant with high temperatures may flow through these areas, resulting in hot surfaces on the side walls. This is normal and does not need any servicing. Please pay attention while touching these areas.
---	--

# Installation

## 3.5. Reversing the doors

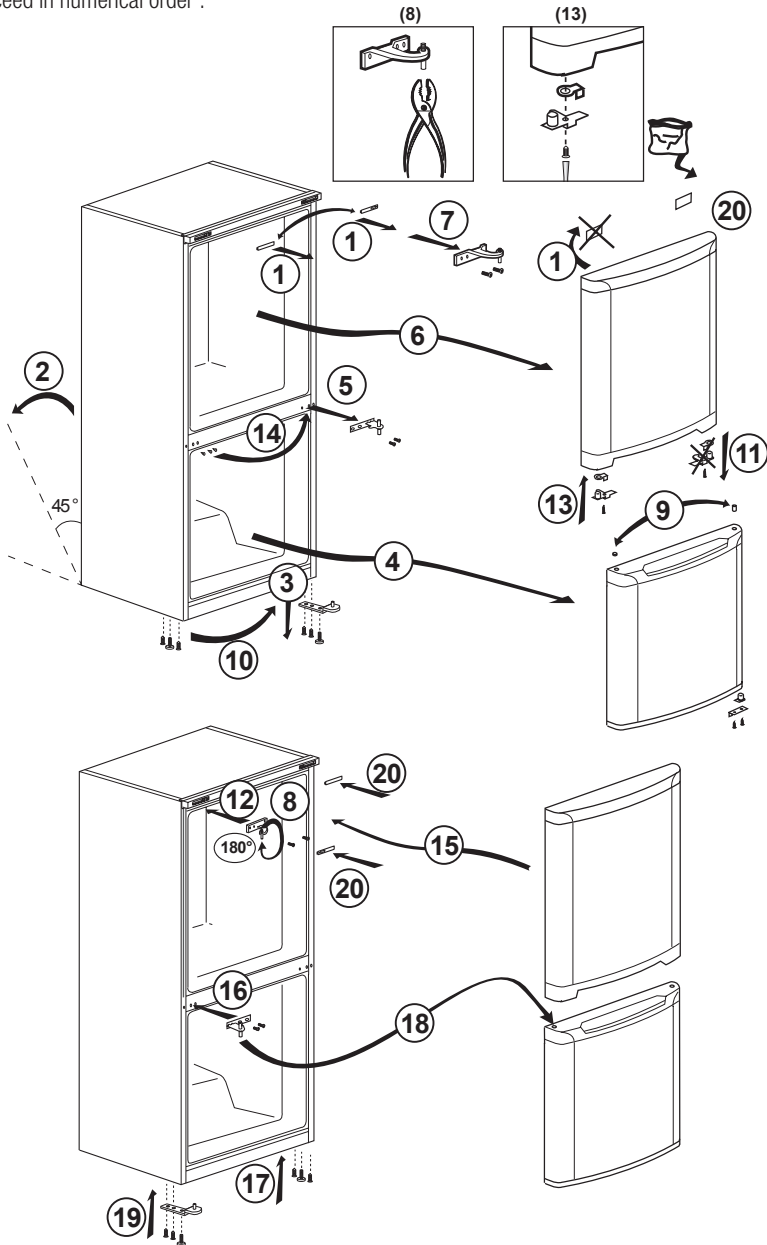
Proceed in numerical order .



# Installation

## 3.6. Reversing the doors

Proceed in numerical order .



## 4

## Preparation

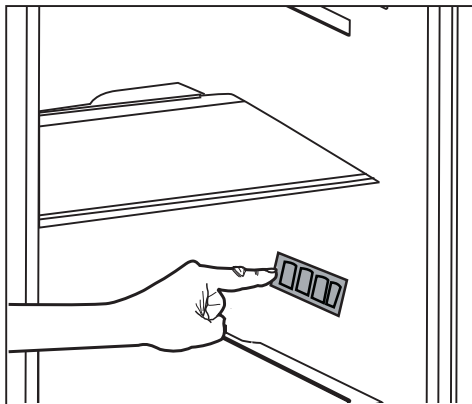
### 4.1. What to do for energy saving



Connecting the product to electronic energy-saving systems is harmful, as it may damage the product.

- Do not keep the refrigerator doors open for long periods.
- Do not place hot food or beverages into the refrigerator.
- Do not overfill the refrigerator; blocking the internal air flow will reduce cooling capacity.
- In order to store the maximum amount of food into the cooler compartment of your refrigerator, you should take out the upper drawers and place it onto the glass rack. The declared energy consumption of your refrigerator was determined by taking out the cooler, ice tray and upper drawers in a way that will enable maximum storage. Using the below drawer when storing is strongly recommended. Energy saving function should be activated for best energy consumption.
- You should not block the airflow by putting food in front of the cooler fan. A space of minimum 3cm must be left in front of the protective fan wire when placing food.
- Depending on the product's features; defrosting frozen foods in the cooler compartment will ensure energy saving and preserve food quality.
- Food should be stored using the drawers in the cooler compartment in order to ensure energy saving and protect food in better conditions.
- Food packages should not be in direct contact with the heat sensor located in the cooler compartment. If they are in contact with the sensor, energy consumption of the appliance might increase.
- Make sure the foods are not in contact with the cooler compartment temperature sensor described below.

- Keep the product running with no food inside for 6 and do not open the door, unless absolutely necessary.



A sound will be heard when the compressor is engaged. It is normal to hear sound even when the compressor is inactive, due to the compressed liquids and gasses in the cooling system.



Front edges of the product might heat up. This is normal. These areas are designed to warm up in order to prevent condensation.



In some models indicator panel turns off automatically 5 minutes after the door closes. It will be reactivated when the door is open or any button is pressed.

### 4.2. First Use

Before using your refrigerator, make sure the necessary preparations are made in line with the instructions in "Safety and environment instructions" and "Installation" sections.

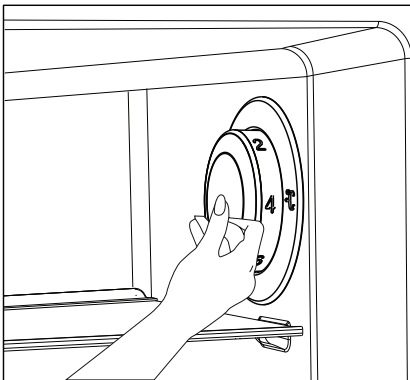
### 5.1. Temperature adjustment button

Internal temperature of your refrigerator varies depending on the following reasons:

- Seasonal temperatures,
- Opening the door frequently and leaving it open for long periods,
- Meals put into the refrigerator without being cooled to room temperature,
- Location of the refrigerator in the room (e.g. exposed to sunshine).
- Internal temperature varying due to these factors can be adjusted via the adjustment button.


Numbers around the adjustment button indicate temperature degrees as "°C".

If the ambient temperature is 20°C, it is recommended to use the refrigerator temperature adjustment at 4°C. In other ambient temperatures this value can be customised.



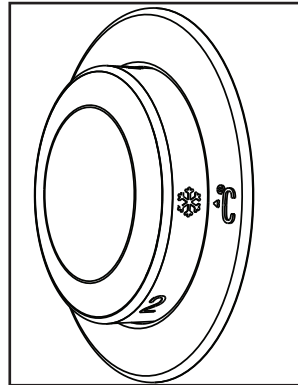
### 5.2. Rapid freezing

If you want to freeze large amounts of fresh food, switch the temperature adjustment button to

 position before putting the food into the quick freezing compartment.

It is recommended to keep the button at this position for 24 hours to freeze maximum amount of food indicated as the freezing capacity. Pay special attention not to mix food stolen as frozen and fresh food.

Remember to switch the temperature adjustment button back to its previous position.




**May not be available in all models**



**\*Optional:** The figures in this user guide are intended as drafts and may not perfectly match your product. If your product does not comprise the relevant parts, the information pertains to other models.

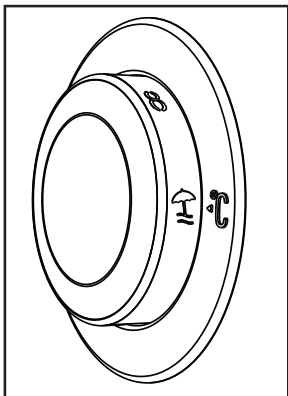
## Using the product

### 5.3. Vacation function

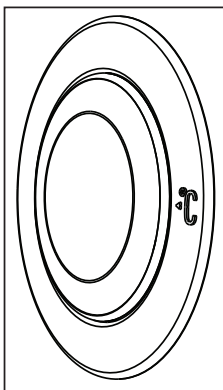
If doors of the product is not (  ) opened for at least 12 hours after adjusting the temperature setting button to the highest, vacation function is automatically activated.

Button setting must be changed to cancel the function.

It is not recommended to store food in the cooler compartment when vacation function is activated.



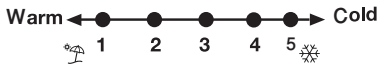
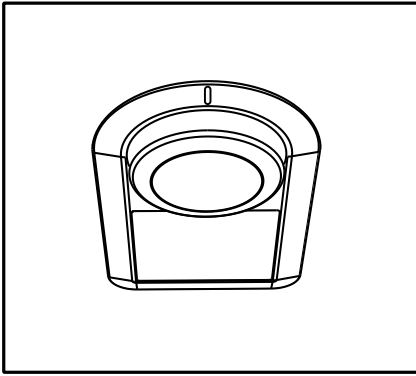
- After setting is completed, you can conceal the temperature setting button by pressing it inside.



## Using the product

### 5.4. Thermostat setting button

The operating temperature is regulated by the temperature control.



1=Lowest cooling setting (Warmest setting).

4=Highest cooling setting (Coldest setting).

The average temperature inside the fridge should be around +5°C.

Please choose the setting according to the desired temperature.

Please note that there will be different temperatures in the cooling area.

The coldest region is immediately above the vegetable compartment.

The interior temperature also depends on ambient temperature, the frequency with which the door is opened and the amount of foods kept inside.

Frequently opening the door causes the interior temperature to rise.

For this reason, it is recommended to close the door again as soon as possible after use.

### 5.5. Thermostat setting button

The interior temperature of your refrigerator changes for the following reasons;

- Seasonal temperatures,
- Frequent opening of the door and leaving the door open for long periods,
- Food put into the refrigerator without cooling down to the room temperature,
- The location of the refrigerator in the room (e.g. exposing to sunlight).
- You may adjust the varying interior temperature due to such reasons by using the thermostat. Numbers around the thermostat button indicates the cooling degrees.
- If the ambient temperature is higher than 32°C, turn the thermostat button to maximum position.
- If the ambient temperature is lower than 25°C, turn the thermostat button to minimum position.

### 5.6. Defrost

Fridge compartment

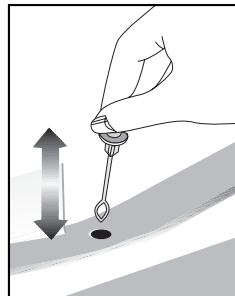
Fridge compartment performs full-automatic defrosting. Water drops and a frosting up to 7-8 mm can occur on the inner rear wall of the fridge compartment while your refrigerator cools down. Such formation is normal as a result of the cooling system. The frost formation is defrosted by performing automatic defrosting with certain intervals thanks to the automatic defrosting system of the rear wall. User is not required to scrape the frost or remove the water drops.

Water resulting from the defrosting passes from the water collection groove and flows into the evaporator through the drain pipe and evaporates here by itself.

Deep freezer compartment does not perform automatic defrosting in order to prevent decaying of the frozen food.

The freezer compartment defrosts automatically.

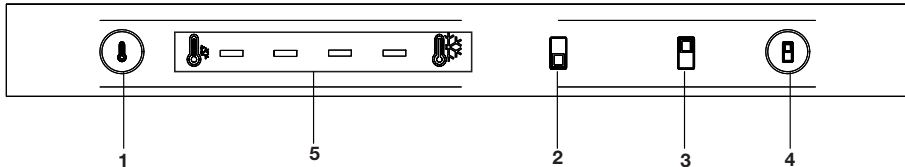
Check regularly to see if the drain pipe is clogged or not and clear it with the stick in the hole when necessary.



**May not be available in all models**

## Using the product

### 5.7. Indicator panel



- 1. Key For Changing the Cooling Value:** It is used to adjust the cooling value of the fridge and freezer compartments. If you press this key while the freezer compartment indicator (2) is on, cooling of the freezer compartment will change. If you press this key while the fridge compartment indicator (3) is on, cooling of the fridge compartment will change.
- 2. Freezer Compartment Indicator:** When this indicator is on, current cooling value of the Freezer compartment will be displayed on the cooling indicator (5). You can press the Key for Changing the Cooling Value (1) to change the cooling value of the freezer compartment.
- 3. Fridge Compartment Indicator:** When this indicator is on, current cooling value of the Fridge compartment will be displayed on the cooling indicator (5). You can press the Key for Changing the Cooling Value (1) to change the cooling value of the fridge compartment.
- 4. Compartment Selection Key:** It is used to select fridge and freezer compartments.
- 5. Cooling Indicator:** It shows the cooling value of the selected compartment. Cooling value increased from left to right.

### May not be available in all models



**\*Optional:** The figures in this user guide are intended as drafts and may not perfectly match your product. If your product does not comprise the relevant parts, the information pertains to other models.

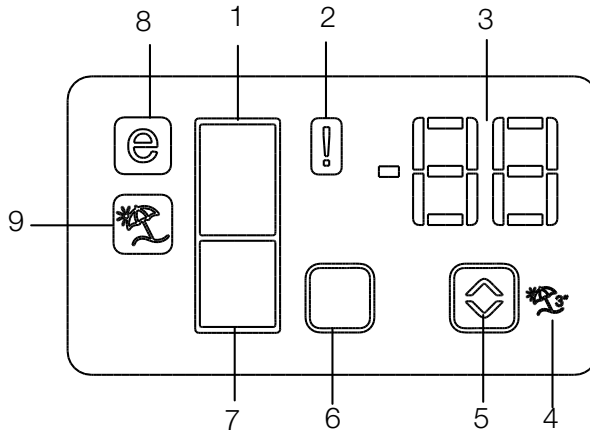


## Using the product

### 5.8. Indicator panel

Indicator panels may vary according to the product model.

Audio – visual functions on the indicator panel helps you in using your product.



1. Fridge Compartment Indicator
2. Error status indicator
3. Temperature indicator
4. Vacation function button
5. Temperature setting button
6. Compartment selection button
7. Freezer compartment indicator
8. Economy mode indicator
9. Vacation function indicator

**\*optional**

**May not be available in all models**



**\*Optional:** The figures in this user guide are intended as drafts and may not perfectly match your product. If your product does not comprise the relevant parts, the information pertains to other models.

## Using the product

### 1. Fridge compartment indicator

Fridge compartment light is illuminated while the fridge compartment temperature is set.

### 2. Error status indicator

If your refrigerator does not perform enough cooling or in case of a sensor fault, this indicator is activated. When this indicator is activated, "E" is displayed on the freezer compartment temperature indicator, and numbers such as "1,2,3..." are displayed on the fridge compartment temperature indicator. These numbers on the indicator inform service personnel about the error.

### 3. Temperature indicator

Indicates freezer, fridge compartment temperature.

### 4. Vacation function button

Press on Vacation Button for 3 seconds to activate this function. When the vacation function is activated, "- -" is displayed on the fridge compartment temperature indicator and no active cooling is performed on the fridge compartment. It is not suitable to keep the food in the fridge compartment when this function is activated. Other compartments shall be continued to be cooled as per their set temperature.

To cancel this function press **Vacation** button again.

### 5. Temperature setting button

Changes the temperature of the relevant compartment between -24°C... -18°C and 8°C...1°C.

### 6. Compartment selection button

Selection button: Press compartment selection button to switch between fridge and freezer compartments.

### 7. Freezer compartment indicator

Fridge compartment light is illuminated while the freezer compartment temperature is set.

### 8. Economy mode indicator

Indicates that the refrigerator operates in energy saving mode. This display shall be activated if the freezer compartment temperature is set to -18°C.

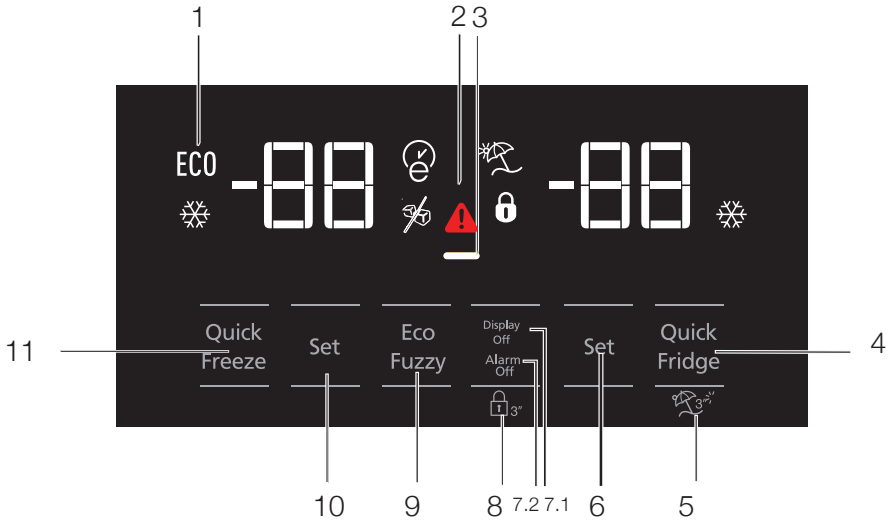
### 9. Vacation function indicator

Indicates that vacation is activated.

## Using the product

### 5.9. Indicator panel

This touch-control indicator panel allows you to set the temperature without opening the door of your refrigerator. Just touch the relevant button with your finger to set the temperature.



- 1- Economic use
- 2- High temperature / fault alert
- 3- Energy saving function (display off)
- 4- Rapid cooling
- 5- Vacation function
- 6- Cooler compartment temperature setting
- 7- Energy saving (display off) / Alarm off warning
- 8- Keypad lock
- 9- Eco-fuzzy
- 10- Freezer compartment temperature setting
- 11- Rapid freezing

**May not be available in all models**



**\*Optional:** The figures in this user guide are intended as drafts and may not perfectly match your product. If your product does not comprise the relevant parts, the information pertains to other models.

## Using the product

### 1. Economic use

This sign will light up when the freezer compartment is set to  $-18^{\circ}\text{C}$ , the most economical setting. (ECO) Economic use indicator will turn off when rapid cooling or rapid freezing function is selected.

### 2. High temperature / fault alert

This indicator (🔴) will light up in case of temperature faults or fault alerts. This indicator illuminates during power failure, high temperature failures and error warnings. During sustained power failures, the highest temperature that the freezer compartment reaches will flash on the digital display. After checking the food located in the freezer compartment press the alarm off button to clear the warning.

### 3. Energy saving function (display off)

If the product doors are kept closed for a long time energy saving function is automatically activated and energy saving symbol is illuminated. When energy saving function is activated, all symbols on the display other than energy saving symbol will turn off. When the Energy Saving function is activated, if any button is pressed or the door is opened, energy saving function will be cancelled and the symbols on display will return to normal.

Energy saving function is activated during delivery from factory and cannot be cancelled.

### 4. Rapid cooling

When the rapid cooling function is turned on, the rapid cool indicator will light up (❄️) and the cooler compartment temperature indicator will display the value 1. Push the Rapid cool button again to cancel this function. The Rapid cool indicator will turn off and return to normal setting. The rapid cooling function will be automatically cancelled after 1 hour, unless cancelled by the user. Too cool a large amount of fresh food, press the rapid cool button before placing the food in the cooler compartment.

### 5. Vacation function

To activate the Vacation function, press the button for (🏠) 3 seconds; this will activate the vacation mode indicator (🏠). When the Vacation function is active, the cooler compartment temperature indicator displays the inscription "- -" and no cooling process will be active in the cooling compartment. This function is not suitable to keep food in the cooler compartment. Other compartments will remain cooled with the respective temperature set for each compartment.

Push the **vacation function** button again to cancel this function

### 6. Cooler compartment temperature setting

After pressing the button, the cooler compartment temperature can be set to 8,7,6,5,4,3,2 and 1 respectively. (🔢)

#### 7.1. Energy saving (display off)

Pressing this button (🔴) will light up the energy saving sign (🔴) and the Energy-saving function will activate. Activating the energy-saving function will turn off all other signs on the display. When the energy-saving function is active, pressing any button or opening the door will deactivate the energy-saving function and the display signals will return to normal. Pressing this button (🔴) again will turn off the energy-saving sign and deactivate the energy-saving function.

#### 7.2. Alarm off warning:

In case of power failure/high temperature alarm, after checking the food located in the freezer compartment press the alarm off button to clear the warning.

### 8. Keypad lock

Press the keypad lock button (🔒) simultaneously for 3 seconds. The keypad lock sign

(🔒) will light up and the keypad lock will be activated. The buttons will be inactive when the Keypad lock is activated. Press the Keypad lock button again simultaneously for 3 seconds. The keypad lock sign will turn off and the keypad lock mode will be disengaged.

Press the **keypad lock** button (🔒) to prevent changing the refrigerator's temperature settings.

### 9. Eco-fuzzy

To activate the eco-fuzzy function, press and hold the eco-fuzzy button for 1 second. When this function is active, the freezer will switch to the economic mode after at least 6 hours and the economic use indicator will light up. To deactivate the (🌀) eco-fuzzy function, press and hold the eco-fuzzy function button for 3 seconds.

The indicator will light up after 6 hours when the eco-fuzzy function is active.

### 10. Freezer compartment temperature setting

The temperature in the freezer compartment is adjustable. Pressing the button will enable the freezer compartment temperature to be set at -18, -19, -20, -21, -22, -23 and -24. (🔢)

## Using the product

### 11. Rapid freezing

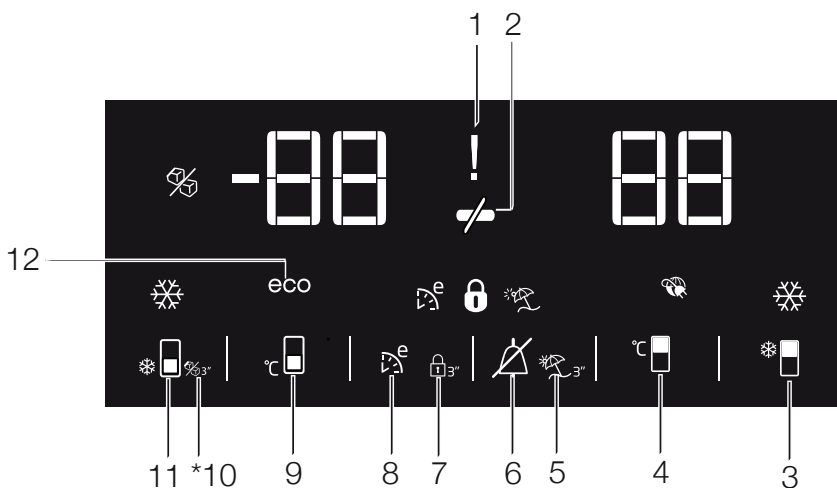
For rapid freezing, press the button; this will activate the rapid freezing indicator (❄️).

When the rapid freezing function is turned on, the rapid freeze indicator will light up and the freezer compartment temperature indicator will display the value -27. Press the Rapid freeze button (❄️) again to cancel this function. The Rapid freeze indicator will turn off and return to normal setting. The rapid freezing function will be automatically cancelled after 24 hours, unless cancelled by the user. To freeze a large amount of fresh food, press the rapid freeze button before placing the food in the freezer compartment.

## Using the product

### 5.10. Indicator panel

Indicator panel allows you to set the temperature and control the other functions related to the product without opening the door of the product. Just press the inscriptions on relevant buttons for function settings.



#### 1. Power failure/High temperature / error warning indicator

This indicator (🔔) illuminates during power failure, high temperature failures and error warnings. During sustained power failures, the highest temperature that the freezer compartment reaches will flash on the digital display. After checking the food located in the freezer compartment (🔪) press the alarm off button to clear the warning.

#### 2. Energy saving function (display off):

If the product doors are kept closed for a long time energy saving function is automatically activated and energy saving symbol is illuminated. (🌿)

When energy saving function is activated, all symbols on the display other than energy saving symbol will turn off. When the Energy Saving function is activated, if any button is pressed or the door is opened, energy saving function will be canceled and the symbols on display will return to normal.

Energy saving function is activated during delivery from factory and cannot be canceled.

#### 3.Quick fridge function

The button has two functions. To activate or deactivate the quick cool function press it briefly. Quick Cool indicator will turn off and the product will return to its normal settings. (🔘)

- |  |   |
|--|---|
|  | Use quick cooling function when you want to quickly cool the food placed in the fridge compartment. If you want to cool large amounts of fresh food, activate this function before putting the food into the product. |
|  | If you do not cancel it, quick cooling will cancel itself automatically after 8 hours or when the fridge compartment reaches to the required temperature.   |

### May not be available in all models



**\*Optional:** The figures in this user guide are intended as drafts and may not perfectly match your product. If your product does not comprise the relevant parts, the information pertains to other models.

## Using the product



If you press the quick cooling button repeatedly with short intervals, the electronic circuit protection will be activated and the compressor will not start up immediately.



This function is not recalled when power restores after a power failure.

### 4. Fridge compartment temperature setting button

Press this button to set the temperature of the fridge compartment to 8, 7,6, 5,4,3, 2, 8... respectively. Press this button to set the fridge compartment temperature to the desired value.

### 5. Vacation Function

In order to activate vacation function, press the this button for 3 seconds, and the vacation mode indicator will be activated. When the vacation function is activated, “- -” is displayed on the fridge compartment temperature indicator and no active cooling is performed on the fridge compartment. It is not suitable to keep the food in the fridge compartment when this function is activated. Other compartments shall be continued to be cooled as per their set temperature.

To cancel this function press **Vacation function** button again.

### 6. Alarm off warning:

In case of power failure/high temperature alarm, after checking the food located in the freezer compartment press the alarm off button to clear the warning.

### 7. Key lock

Press key lock button simultaneously for 3 seconds. Key lock symbol will light up and key lock mode will be activated. Buttons will not function if the Key lock mode is active. Press key lock button simultaneously for 3 seconds again. Key lock symbol will turn off and the key lock mode will be exited.

Press the **key lock** button if you want to prevent changing of the temperature setting of the refrigerator .

### 8. Eco fuzzy

Press and hold eco fuzzy button for 1 seconds to activate eco fuzzy function. Refrigerator will start operating in the most economic mode at least 6 hours later and the economic usage indicator will turn on when the function is active . Press and hold eco fuzzy function button for 3 seconds to deactivate eco fuzzy function.

This indicator is illuminated after 6 hours when eco fuzzy is activated.

### 9. Freezer compartment temperature setting button

Press this button to set the temperature of the freezer compartment to -18,-19,-20,-21, -22, -23,-24, -18... respectively. Press this button to set the freezer compartment temperature to the desired value.

### 10. Icematic off indicator

Indicates whether the icematic is on or off. If On, then the icematic is not operating. To operate the icematic again press and hold the On-Off button for 3 seconds.



Water flow from water tank will stop when this function is selected. However, ice made previously can be taken from the icematic.

### 11. Quick freeze function button/ icematic on-off button

Press this button to activate or deactivate the quick freezing function. When you activate the function, the freezer compartment will be cooled to a temperature lower than the set value.

To turn on and off the icematic press and hold it for 3 seconds.



Use the quick freeze function when you want to quickly freeze the food placed in fridge compartment. If you want to freeze large amounts of fresh food, activate this function before putting the food into the product.



If you do not cancel it, Quick Freeze will cancel itself automatically after 4 hours or when the fridge compartment reaches to the required temperature.

## Using the product



This function is not recalled when power restores after a power failure.

### 12. Economic usage indicator

Indicates that the product is running in energy-efficient mode. (**eco**) This indicator will be active if the Freezer Compartment temperature is set to -18 or the energy efficient cooling is being performed due to Eco-Extra function.

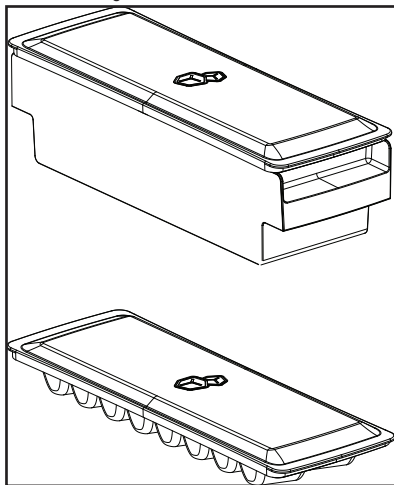


Economic usage indicator is turned off when quick cooling or quick freeze functions are selected.

### 5.11. Ice bucket

#### \*optional

- Take the ice bucket from the freezer compartment.
- Fill the ice bucket with water.
- Place the ice bucket into the freezer compartment.
- The ice will be ready after approximately two hours. Take the ice bucket from the freezer compartment and bend in slightly over the holder that you are going to serve. Ice will easily pour into the serving holder.



### 5.12. Eggholder

You can put the eggholder on the door or body rack of your choice. If you decide to put it on the body rack, it is recommended to prefer the shelves below as they are colder.

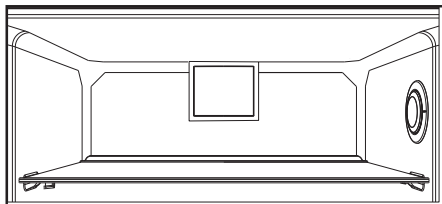


Do not put the eggholder into the freezer compartment.

### 5.13. Fan

Fan was designed to distribute circulate the cold air inside your refrigerator homogeneously. Operating time of the fan might vary depending the features of your product.

While in some products fan only operates with compressor, in others control system determines the operating time based on the need for cooling.



### 5.14. Vegetable bin

#### \*optional

Product's vegetable bin is designed to keep vegetables fresh by preserving humidity. For this purpose, the overall cold air circulation is intensified in the vegetable bin.

### 5.15. Zero degree compartment

#### \*optional

Use this compartment to keep delicatessen at lower temperatures or meat products for immediate consumption.

Zero degree compartment is the coolest place where foods such as dairy products, meat, fish and chicken can be stored in ideal storage conditions. Vegetables and/or fruits should not be stored in this compartment.



## Using the product

### 5.16. Using the second crisper of the product;



**Figure 1.**

As shown in the figure, there are 2 stoppers in the second crisper of K70560 model product.



**Figure 2.**

The second crisper looks like Figure 2 when closed.



**Figure 3.**

With the door is open 90°, pull the second crisper up to the first stopper as shown in Figure 3.

In the case that the drawer is more open, first of all, open the door by at least 135° degrees. After that, as shown in Figure 4, lift the second crisper for about 5 mm so that it is freed from the first stopper.



**Figure 4.**

After lifting, pull the second drawer up to the second stopper as shown in Figure 5.



**Figure 5.**

## Using the product

### 5.17. Moving door rack

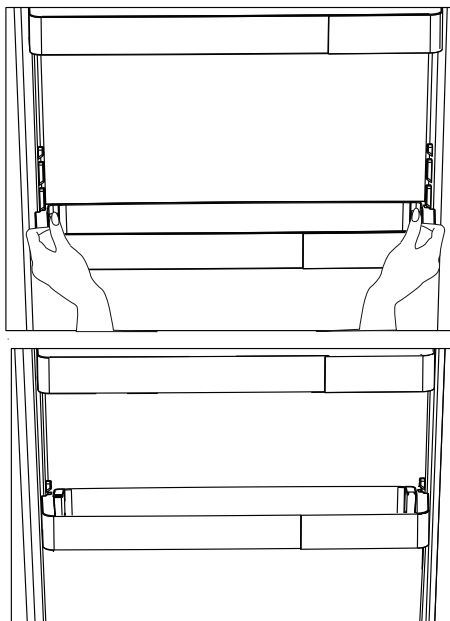
#### **\*optional**

Moving door rack can be fixed in 3 different positions.

In order to move the rack, push the buttons on the side evenly. Rack will be movable.

Move the rack up or down.

When the rack is in the position that you want, release the buttons. Rack will be fixed again in the position where you have released the buttons.

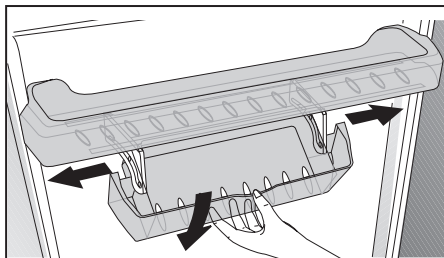


### 5.18. Sliding storage box

#### **\*optional**

This accessory has been designed to increase the usage volume of the door racks.

Thanks to its ability to move sideways, it enables you to easily place long bottle, jar or boxes that you put in the bottle rack below.



### 5.19. Deodoriser Module

#### **(FreshGuard) \*optional**

The deodoriser module quickly eliminates the bad smells in your refrigerator before they permeate the surfaces. Thanks to this module, which is placed on the ceiling of the fresh food compartment, the bad odours dissolve while the air is actively being passed on the odour filter, then the air that has been cleaned by the filter is re-emitted to the fresh food compartment. This way, the unwanted odours that may emerge during the storage of foods in the refrigerator are eliminated before they permeate the surfaces.

This is achieved thanks to the fan, LED and the odour filter integrated into the module. In daily use, the deodoriser module will turn on automatically on a periodic basis. To maintain efficient performance, it is recommended to have the filter in the deodoriser module by the authorised service provider every 5 years. Due to the fan integrated into the module, the noise you will hear during operation is normal. If you open the door of the fresh food compartment while the module is active, the fan will pause temporarily and resume where it has left off after some time the door is closed again. In case of power failure, the deodoriser module will resume where it has left off in the total operation duration once the power is back.

Info: It is recommended to store aromatic foods (such as cheese, olives and delicatessen foods) in their packaging and sealed to avoid bad odours that may result when smells of various foods get mixed. Besides, it is recommended to take spoiled foods out of the refrigerator quickly to prevent the other foods from getting spoiled and avoid bad odours.

## Using the product

### 5.20. Moisture controlled vegetable bin

#### \*optional

With moisture control feature, moisture rates of vegetables and fruits are kept under control and ensures a longer freshness period for foods.

It is recommended to store leafed vegetables such as lettuce and spinach and similar vegetables prone to moisture loss not on their roots but in horizontal position into the vegetable bin as much as possible.

When placing the vegetables, place heavy and hard vegetables at the bottom and light and soft ones on the top, taking into account the specific weights of vegetables.

Do not leave vegetables in the vegetable bin in plastic bags. Leaving them in plastic bags causes vegetables to rot in a short time. In situations where contact with other vegetables is not preferred, use packaging materials such as paper that has a certain porosity in terms of hygiene.

Do not put fruits that have a high ethylene gas production such as pear, apricot, peach and particularly apple in the same vegetable bin with other vegetables and fruits. The ethylene gas coming out of these fruits might cause other vegetables and fruits to mature faster and rot in a shorter period of time.

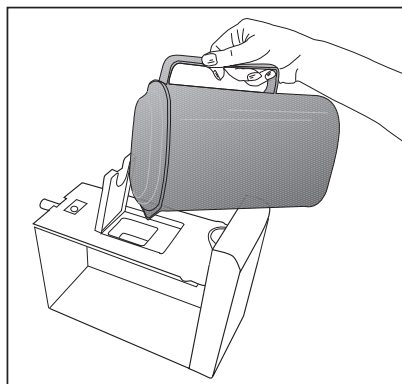
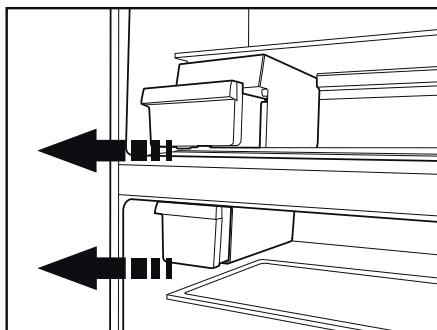
### 5.21. Automatic ice machine

#### \*optional

Automatic ice machine enables you to easily make ice in your refrigerator. In order to obtain ice from the ice machine, take out the water tank in the cooler compartment, fill it with water and fix it back. First ice will be ready in about 2 hours in the ice machine drawer in the cooler compartment. After placing the full water tank, you can obtain about 60-70 cubes of ice until it is fully empty. If the water in the tank has waited for 2-3 weeks, it should be changed.



In products with automatic ice machine, you might hear a sound when pouring the ice. This sound is normal and is not a sign of failure.



## Using the product

### 5.22. Icematic and ice storage container

**\*optional**

#### Using the Icematic

Fill the Icematic with water and place it into its seat. Your ice will be ready approximately in two hours. Do not remove the Icematic from its seating to take ice. Turn the knobs on the ice reservoirs clockwise by 90 degrees.

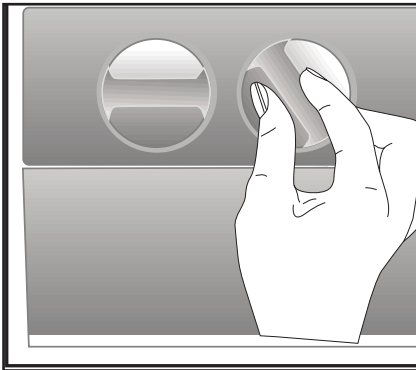
Ice cubes in the reservoirs will fall down into the ice storage container below.

You may take out the ice storage container and serve the ice cubes.

If you wish, you may keep the ice cubes in the ice storage container.

#### Ice storage container

Ice storage container is only intended for accumulating the ice cubes. Do not put water in it. Otherwise, it will break.



### 5.23. Using the water dispenser

**\*optional**

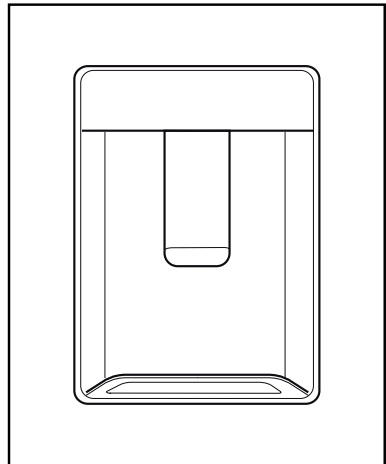


It is normal for the first few glasses of water taken from the dispenser to be warm.



If the water dispenser is not used for a long period of time, dispose of first few glasses of water to obtain fresh water.

1. Push in the lever of the water dispenser with your glass. If you are using a soft plastic cup, pushing the lever with your hand will be easier.
2. After filling the cup up to the level you want, release the lever.



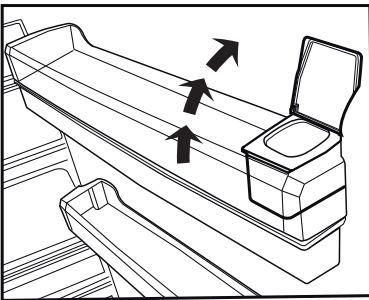
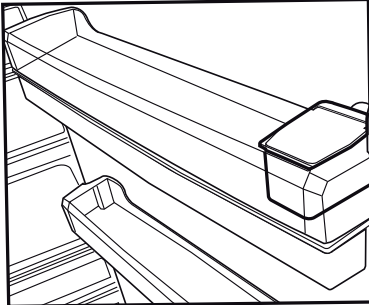
Please note, how much water flows from the dispenser depends on how far you depress the lever. As the level of water in your cup / glass rises, gently reduce the amount of pressure on the lever to avoid overflow. If you slightly press the arm, the water will drip; this is quite normal and not a failure.

## Using the product

### 5.24. Filling the water dispenser's tank

Water tank filling reservoir is located inside the door rack.

1. Open the cover of the tank.
2. Fill the tank with fresh drinking water.
3. Close the cover.



Do not fill the water tank with any other liquid except for water such as fruit juices, carbonated beverages or alcoholic drinks which are not suitable to use in the water dispenser. Water dispenser will be irreparably damaged if these kinds of liquids are used. Warranty does not cover such usages. Some chemical substances and additives contained in these kinds of drinks/liquids may damage the water tank.



Use clean drinking water only.



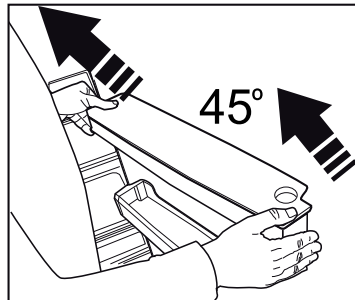
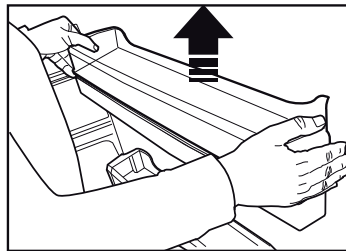
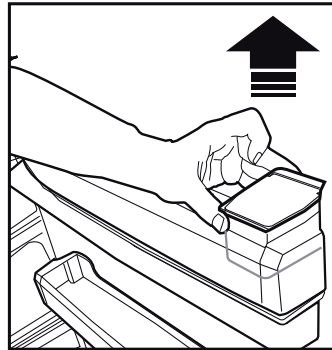
Capacity of the water tank is 3 litres; do not overfill.

### 5.25. Cleaning the water tank

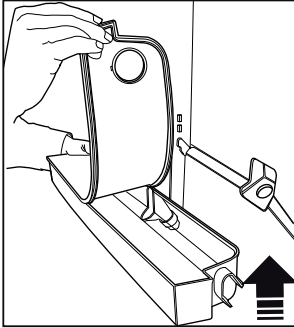
1. Remove the water filling reservoir inside the door rack.
2. Remove the door rack by holding from both sides.
3. Grab the water tank from both sides and remove it with an angle of 45°C.
4. Remove the cover of the water tank and clean the tank.



Components of the water tank and water dispenser should not be washed in dishwasher.



## Using the product



### 5.27. HerbBox/HerbFresh

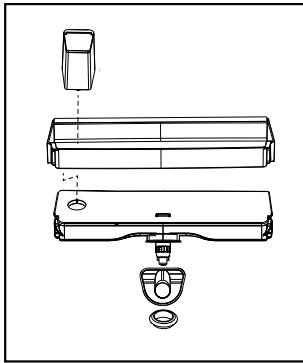
Remove the film container from HerbBox/HerbFresh+

Take the film out of the bag and put it into the film container as shown in the image.

Seal the container again and replace it into HerbBox/HerbFresh+ unit.

HerbBox-HerbFresh+ sections are especially ideal for storage of various herbs that are supposed to be kept in delicate conditions. You can store your unbagged herbs (parsley, dill, etc.) in this section horizontally and keep them fresh for a much longer period.

The film shall be replaced in every six months.

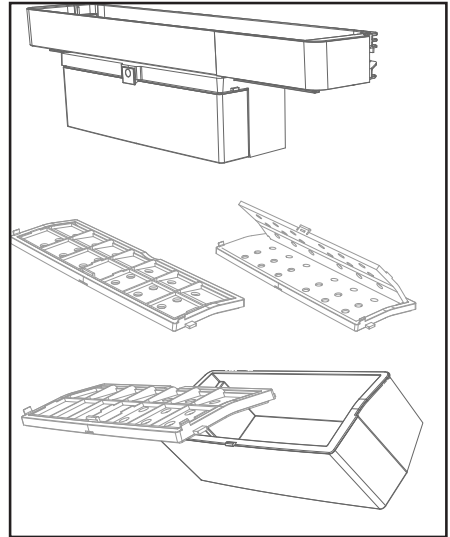
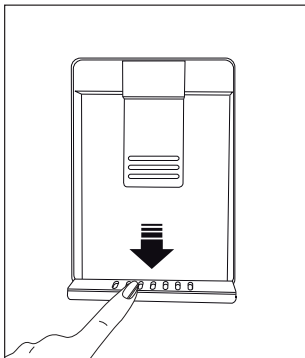


### 5.26. Drip tray

Water that dripped while using the water dispenser accumulates in the spillage tray.

Remove the plastic filter as shown in the figure.

With a clean and dry cloth, remove the water that has accumulated.



## Using the product

### 5.28. Freezing fresh food

- To preserve food quality, the food items placed in the freezer compartment must be frozen as quickly as possible, use the rapid freezing for this.
- Freezing the food items when fresh will extend the storage time in the freezer compartment.
- Pack the food items in air-tight packs and seal tightly.
- Make sure the food items are packed before putting in the freezer. Use freezer holders, tinfoil and damp-proof paper, plastic bag or similar packaging materials instead of traditional packaging paper.



Ice in the freezing compartment thaws automatically.

- Mark each food pack by writing the date on the package before freezing. This will allow you to determine the freshness of each pack every time the freezer is opened. Keep the earlier food items in the front to ensure they are used first.

- Frozen food items must be used immediately after defrosting and should not be frozen again.
- Do not freeze large quantities of food at once.

### 5.29. Recommendations for storing frozen foods

The compartment must be set to at least  $-18^{\circ}\text{C}$ .

1. Place the food items in the freezer as quickly as possible to avoid defrosting.
2. Before freezing, check the "Expiry Date" on the package to make sure it is not expired.
3. Make sure the food's packaging is not damaged.

Freezer Compartment Temperature Setting	Cooler Compartment Temperature Setting	Details
$-18^{\circ}\text{C}$	$4^{\circ}\text{C}$	This is the default, recommended setting.
$-20, -22$ or $-24^{\circ}\text{C}$	$4^{\circ}\text{C}$	These settings are recommended for ambient temperatures exceeding $30^{\circ}\text{C}$ .
Quick Freeze	$4^{\circ}\text{C}$	Use when you want to freeze your food in a short time. When the process ends, the product will regain its position.
$-18^{\circ}\text{C}$ or colder	$2^{\circ}\text{C}$	Use these settings if you believe the cooler compartment is not cold enough due to ambient temperature or frequently opening the door.

## Using the product

### 5.30. Deep freezer details

As per the IEC 62552 standards, the freezer must have the capacity to freeze 4,5 kg of food items at -18°C or lower temperatures in 24 hours for each 100 litres of freezer compartment volume.

Food items can only be preserved for extended periods at or below temperature of -18°C .

You can keep the foods fresh for months (in deep freezer at or below temperatures of 18°C).

The food items to be frozen must not contact the already-frozen food inside to avoid partial defrosting.

Boil the vegetables and filter the water to extend the frozen storage time. Place the food in air-tight packages after filtering and place in the freezer.

Bananas, tomatoes, lettuce, celery, boiled eggs, potatoes and similar food items should not be frozen. In case this food rots, only nutritional values and eating qualities will be negatively affected. A rotting threatening human health is not in question.

### 5.31. Placing the food

Freezer compartment shelves	Various frozen goods including meat, fish, ice cream, vegetables etc.
Cooler compartment shelves	Food items inside pots, capped plate and capped cases, eggs (in capped case)
Cooler compartment door shelves	Small and packed food or beverages
Vegetable bin	Fruits and vegetables
Fresh food compartment	Delicatessen (breakfast food, meat products to be consumed in short notice)

### 5.32. Door open alert

#### (Optional)

An audible alert will be heard if the product's door remains open for at least 1 minute. The audible alert will stop when the door is closed or any button on the display (if available) is pressed.

Door open alert is indicated to the user both audibly and visually. Interior lighting will turn off if the warning continues for 10 min.

### 5.33. Changing the opening direction of the door

You can change the direction of opening of your refrigerator depending on the location where you use it. When you need this, consult the closest Authorized Service.

The explanation above is a general statement. You should check the warning tag located inside the product package about the changeability of direction of the door.

### 5.34. Interior light

Interior light uses a LED type lamp. Contact the authorized service for any problems with this lamp. Lamp(s) used in this appliance cannot be used for house lighting. Intended use of this lamp is to help the user place food into the refrigerator / freezer safely and comfortably.



Service life of the product will extend and frequently encountered problems will decrease if the product is cleaned periodically.



**WARNING:** Switch off the product before cleaning.



**WARNING:** It is recommended to clean the condenser every six months using gloves. You must not use vacuum cleaners.

- Never use gasoline, benzene or similar substances for cleaning purposes.
- Never use any sharp abrasive instruments, soap, household cleaners, detergent or wax polish for cleaning.
- Dissolve one teaspoon of carbonate in half liter of water. Soak a cloth in the solution and wring it thoroughly. Wipe the interior of the refrigerator with this cloth and the dry thoroughly.
- Make sure that no water enters the lamp housing or other electrical parts.
- If you will not use the refrigerator for a long time, unplug it, remove all food inside, clean it and leave the door ajar.
- Check regularly that the door gaskets are clean. If not, clean them.
- Take out all items in the product to remove the door and body shelves.
- Remove the door shelves by pulling them up. Slide the shelves downwards to re-install them after cleaning.
- Never use chloric cleaning agents or water to clean outer surfaces or chrome-coated parts of the product. Chlorine causes abrasion on such metal surfaces.
- For non-No Frost products, water drops and frosting up to a fingerbreadth occur on the rear wall of the Fridge compartment. Do not clean it; never apply oil or similar agents on it.
- Only use slightly damp microfiber cloths to clean the outer surface of the product. Sponges and other types of cleaning cloths may scratch the surface.

### 6.1. Avoiding Bad Odours

Materials that may cause odour are not used in the production of our refrigerators. However, odour may be emitted if foods are stored improperly or if the inner surface of the product is not cleaned as required. Please consider the following to avoid this problem:

- It is important that the refrigerator is kept clean. Food residuals, stains, etc. can cause odour. For this reason, clean your refrigerator with carbonate solved in water every 15 days. Never use detergents or soap.
- Keep your foods in closed vessels. Microorganisms emitted from vessels without a cover may cause unpleasant odours.
- Never keep expired or spoiled foods in your refrigerator.

### 6.2. Protection of plastic surfaces

Do not put liquid oils or oil-cooked meals in your refrigerator in unsealed containers as they damage the plastic surfaces of your refrigerator. If oil is spilled or smeared onto the plastic surfaces, clean and rinse the relevant part of the surface with warm water immediately.

### 6.3. Cleaning the Inner Surface

To clean the inner surfaces and all removable parts, wash them with a mild solution comprising soap, water and carbonate. Rinse and dry thoroughly. Prevent the water from contacting the lighting means and control panel.



#### ATTENTION:

Do not use vinegar, rubbing alcohol or other alcohol-based cleaning agents on any of the inner surfaces.

### 6.4. Stainless Steel Outer Surfaces

Use a stainless steel cleaning agent that is non-abrasive and apply it with a lint-free, soft cloth. For polishing, wipe the surface softly with a damp microfiber cloth and use dry wash-leather. Always follow the strands of the stainless steel.

### 6.5. Cleaning Products with Glass Doors

Remove the protection foil on the glass.

There is a coating on the surface of the glass. This coating minimises stain formation and ensures that stains and dirt are cleaned easily. Glasses that are not protected by a coating might be exposed to permanent bonding of organic or inorganic, air or waterborne pollutants such as limescale, mineral salts, unburned hydrocarbons, metal oxides and silicones, which lead to stains and physical damage in a short time. Despite regular washing, the glass becomes very hard to keep clean, though not impossible. As a result, the clarity and good appearance of the glass reduces. Hard and abrasive cleaning compounds and methods increase these defects even further and accelerate the deterioration process.

\*Non-alkali, non-abrasive and water-based cleaning products must be used for routine cleaning procedures. For the coating to have long service life, alkali or abrasive substances must not be used during cleaning processes.

These glasses were subject to a tempering process to increase their impact and breakage resistance.

As an additional safety measure, there is a safety film on the back surfaces of the glasses to ensure that they will not harm the environment in case of breakage.

Please review this list before calling the service. This will save you time and money. This list contains frequently encountered problems that are not results of faulty workmanship or material use. Your product may not have some of the features described here.

### The refrigerator is not operating.

- It may not be plugged in properly. >>>Plug in the product properly.
- The fuse of the socket to which your refrigerator is connected or the main fuse may have blown. >>>Check the fuse.

### Condensation on the side wall of the fridge compartment (MULTI ZONE, COOL CONTROL and FLEXI ZONE).

- The door may have been opened/closed frequently. >>>Do not open/close the refrigerator door frequently.
- The environment may be too humid. >>>Do not install the refrigerator at locations with a very high level of humidity.
- Foods containing liquid may have been placed into the refrigerator in vessels without covers. >>>Do not place foods containing liquid into the refrigerator in unsealed vessels.
- Door of the refrigerator may have been left ajar. >>>Do not keep the doors of your refrigerator open for a long time.
- The thermostat may have been set to a very cold level. >>>Set the thermostat to an appropriate level.

### The compressor is not operating.

- Protective thermal of the compressor will blow out during sudden power failures or plug-out plug-ins as the refrigerant pressure in the cooling system of the refrigerator has not been balanced yet. The refrigerator will start running approximately after 6 minutes. Please call the Authorised Service Provider if the refrigerator does not start at the end of this period.
- The freezer is in defrosting cycle. >>>This is normal for a refrigerator that performs full-automatic defrosting. Defrosting cycle is performed periodically.
- The refrigerator may not be plugged in. >>>Make sure that the plug fits the socket.
- Temperature settings may be incorrect. >>>Select the correct temperature value.
- Possible power failure. >>>The refrigerator will start to operate normally when power restores.

### The operation noise increases when the refrigerator is running.

- Operating performance of the refrigerator may vary based on the ambient temperature changes. This is normal and not a fault.

### The fridge is running frequently or for a long time.

- Your new product may be bigger than the previous one. Larger refrigerators operate for a longer period of time.
- The room temperature may be high. >>> It is normal that the product operates for longer periods in hot environments.
- The refrigerator may have just been plugged in or loaded with food. >>>It takes the product longer to reach the set temperature when it has just been plugged in or loaded with food. This is normal.
- Large amounts of hot food may have been placed into the refrigerator recently. >>>Do not place hot foods into the refrigerator.
- The doors may have been opened frequently or left ajar for a long time. >>>The warm air that enters the refrigerator causes it to operate for a longer period of time. Do not open the doors frequently.
- Freezer or fridge compartment door may have been left ajar. >>> Check if the doors are closed completely.
- The appliance may be set to a very low temperature. >>> Set the refrigerator temperature to a warmer degree and wait until the product reaches this temperature.
- Door seal of the fridge or freezer compartment may be soiled, worn out, broken or not properly seated. >>> Clean or replace the seal. Damaged/broken seal causes the refrigerator to run for a longer period of time to maintain the current temperature.

### Fridge temperature is adequate but the freezer temperature is very low.

- The freezer compartment temperature may be set to a very low value. >>> Set the freezer compartment temperature to a higher value and check.

### Freezer temperature is adequate but the fridge temperature is very low.

- The fridge temperature is adjusted to a very low value. >>> Adjust the fridge temperature to a higher value and check.

# Troubleshooting

## Food kept in the fridge compartment drawers is frozen.

- The fridge compartment temperature may be set to a very high value. >>> Set the fridge compartment temperature to a lower value and check.

## Temperature in the fridge or freezer is very high.

- The fridge compartment temperature may be set to a very high value. >>> Fridge compartment temperature setting has an effect on the temperature of the freezer. Change the temperature of the fridge or freezer compartment until the fridge or freezer compartment temperature reaches an adequate level.
- The doors may have been opened frequently or left ajar for a long time. >>>Do not open the doors frequently.
- The door may have been left ajar. >>>Close the door completely.
- The refrigerator may have been just plugged in or loaded with food. >>>This is normal. It takes the product longer to reach the set temperature when it has just been plugged in or loaded with food.
- Large amounts of hot food may have been placed into the refrigerator recently. >>>Do not place hot foods into the refrigerator.

## Vibration or noise.

- The floor may not be stable or level. >>>If the refrigerator shakes when moved slightly, adjust the feet to balance it. Make sure that the floor is level and capable of carrying the refrigerator.
- Objects placed onto the refrigerator may cause noise. >>>Remove the objects on the refrigerator.

## There are noises coming from the refrigerator like liquid spilling or spraying.

- Liquid and gas flows occur in accordance with the operating principles of the refrigerator. >>>This is normal and not a fault.

## Whistle is heard from the refrigerator.

- There are fans that are used to cool the refrigerator. This is normal and not a fault.

## Damp accumulates on the inner walls of refrigerator.

- Hot and humid weather increases icing and condensation. This is normal and not a fault.
- The doors may have been opened frequently or left ajar for a long time. >>>Do not open the doors frequently. Close the doors, if open.
- The door may have been left ajar. >>>Close the door completely.

## Humidity occurs on the outer surface of the refrigerator or between the doors.

- Air might be humid. This is quite normal in humid weathers. >>>Condensation will disappear when the humidity level decreases.
- There might be external condensation at the section between two doors of the refrigerator if you use your product rarely. This is normal. Condensation will disappear upon frequent use.

## There is a bad odour inside the refrigerator.

- No regular cleaning may have been performed. Clean the inside of the refrigerator with a sponge, lukewarm water or carbonated water.
- Some vessels or packaging materials may cause the odour. >>>Use another vessel, or packaging materials from another brand.
- Foods may have been placed into the refrigerator in vessels without covers. >>>Store the foods in closed vessels. Microorganisms emitted from vessels without a cover may cause unpleasant odours.
- Take out expired or spoiled foods from the refrigerator.

## The door cannot be closed.

- Food packages may be preventing the door from closing. >>> Re-locate the packages that are obstructing the door.
- The refrigerator may be unstable on the floor. >>>Adjust the refrigerator feet as required to keep the refrigerator in balance.
- The floor may not be level or solid. >>>Make sure that the floor is level and capable of carrying the refrigerator.

## Crispers are stuck.

- Foods may be touching the upper wall of the crisper. >>>Re-organise the foods in the crisper.

## If The Surface Of The Product Is Hot.

High temperatures may be observed between the two doors, on the side panels and at the rear grill while the product is operating. This is normal and does not require service maintenance!

## Fan keeps running when the door is open.

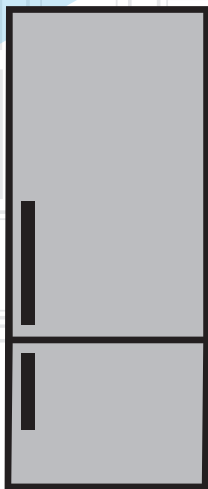
The fan may keep running when the door of the freezer is open.



**WARNING:** If you cannot eliminate the problem although you follow the instructions in this section, consult your dealer or the Authorised Service Provider. Never attempt to repair a malfunctioned product.

# Frigider

Manual de instrucțiuni



RO | |

**beko**

Stimate client,

Dorim să obțineți performanțe optime prin utilizarea produsului nostru, care a fost fabricat în unități moderne și verificat conform celor mai riguroase proceduri de control al calității.

În acest scop, înainte de a utiliza produsul, vă rugăm să citiți manualul de utilizare în întregime și să-l păstrați pentru a-l consulta pe viitor. Dacă predați produsul unei alte persoane, oferiți acest manual împreună cu produsul.



### **Manualul de utilizare asigură utilizarea rapidă și sigură a produsului.**

- Citiți manualul de utilizare înainte de instalarea și utilizarea produsului.
- Respectați întotdeauna instrucțiunile aplicabile referitoare la siguranță.
- Păstrați manualul de utilizare la îndemână pentru a-l putea consulta ulterior.
- Citiți și celelalte documente furnizate împreună cu produsul.

Rețineți că instrucțiunile din acest manual se pot aplica și altor modele de produse. Acest manual precizează cu exactitate toate modificările diferitelor modele.

### **Simboluri și observații**

**Acest manual de utilizare conține următoarele simboluri:**

	Informații importante și sfaturi utile.
	Pericol de moarte și pagube materiale.
	Pericol de electrocutare.
	Ambalajul produsului este fabricat din materiale reciclabile, în conformitate cu Legislația națională privind mediul înconjurător.

## **1 Instrucțiuni privind siguranța și mediul 3**

1.1. Siguranța generală . . . . .	3
1.1.1 Avertisment HC . . . . .	4
1.1.2 Pentru modelele cu dozator de apă. . . . .	5
1.2. Domeniu de utilizare . . . . .	5
1.3. Siguranța copiilor . . . . .	5
1.4. Conformitatea cu Directiva DEEE și eliminarea deșeurilor . . . . .	5
1.5. Conformitatea cu Directiva RoHS . . . . .	6
1.6. Informațiile de pe ambalaj . . . . .	6

## **2 Frigider 7**

### **3 Instalarea 8**

3.1. Locul corect pentru montare . . . . .	8
3.2. Montarea distanțierelor din plastic . . . . .	8
3.3. Ajustarea picioarelor . . . . .	9
3.4. Conexiunea electrică. . . . .	9
3.5. Inversarea ușilor . . . . .	10
3.6. Inversarea ușilor . . . . .	11

### **4 Pregătirea 12**

4.1. Sfaturi pentru economisirea energiei . . . . .	12
4.2. Prima utilizare. . . . .	12

### **5 Utilizarea produsului 13**

5.1. Buton de reglare temperatură . . . . .	13
5.2. Congelare rapidă . . . . .	13
5.3. Funcția Vacanță. . . . .	14
5.4. Panoul de afișaj . . . . .	15
5.5. Utilizarea frigiderului . . . . .	16
5.6. Buton de reglare termostat . . . . .	17
5.7. Dezghețarea . . . . .	17
5.8. Panoul de afișaj . . . . .	18
5.9. Panou indicator. . . . .	19
5.10. Recipientul pentru gheață. . . . .	22
5.11. Suport de ouă . . . . .	22
5.12. Ventilator. . . . .	22
5.13. Compartiment de legume. . . . .	22

5.14. Compartiment de zero grade . . . . .	22
5.15. Folosirea celui de-al doilea compartiment pentru legume al produsului; . . . . .	23
5.16. Raft de ușă mobil. . . . .	24
5.17. Cutii de stocare glisante . . . . .	24
5.18. Modul de dezodorizare . . . . .	24
5.19. Controlul umidității în compartimentul de legume . . . . .	25
5.20. Aparat automat de gheață . . . . .	25
5.21. Aparatul Icematic și recipientul de depozitare a gheții. . . . .	26
5.22. Dozatorul de apă . . . . .	26
5.23. Utilizarea dozatorului de apă. . . . .	26
5.24. Curățarea rezervorului de apă. . . . .	28
5.25. Tava pentru apă. . . . .	29
5.26. HerbBox/HerbFresh . . . . .	29
5.27. Congelarea alimentelor proaspete. . . . .	30
5.28. Recomandări pentru depozitarea alimentelor congelate . . . . .	30
5.29. Detalii despre congelator . . . . .	31
5.30. Introducerea alimentelor. . . . .	31
5.31. Alarmă de ușă deschisă. . . . .	31
5.32. Schimbarea direcției de deschidere a ușii . . . . .	31
5.33. Bec interior . . . . .	31



### **6 Întreținerea și curățarea 32**

6.1. Evitarea mirosurilor urât mirositoare. . . . .	32
6.2. Protejarea suprafețelor din plastic . . . . .	32
6.3. Geamuri din sticlă . . . . .	32

### **7 Depanare 33**

Această secțiune descrie instrucțiunile de siguranță necesare pentru a împiedica riscul de vătămare corporală și pagubele materiale. Nerespectarea acestor instrucțiuni va anula toate tipurile de garanție a produsului.

### Domeniu de utilizare

	<p><b>AVERTISMENT:</b> Mențineți duzele de ventilație, din carcasa echipamentului sau din structura integrată, neblocate.</p>
	<p><b>AVERTISMENT:</b> Nu utilizați dispozitive medicale sau alte mijloace pentru a accelera procesul de decongelare decât cele recomandate de producător.</p>
	<p><b>AVERTISMENT:</b> Nu deteriorați circuitul de agent frigorific.</p>
	<p><b>AVERTISMENT:</b> Nu utilizați echipamente electrice în interiorul compartimentelor de depozitare a alimentelor ale echipamentului, dacă acestea nu sunt de tipul recomandat de producător.</p>

Acest echipament este făcut pentru a fi folosit pentru aplicații domestice sau similare, precum:

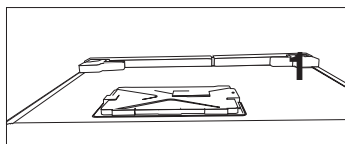
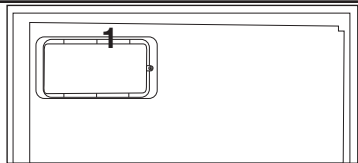
- chicinetes pentru angajați în magazine, birouri sau alte medii de lucru;
- ferme și de către clienți în hoteluri, moteluri și alte medii rezidențiale;
- medii de tip pensiune;
- catering și aplicații care nu țin de vânzarea cu amănuntul asemănătoare.

### 1.1. Siguranța generală

- Acest produs nu este destinat utilizării de către persoane având capacități fizice, senzoriale și mentale reduse, fără cunoștințe suficiente sau fără experiență, sau de către copii. Aparatul poate fi utilizat de aceste persoane numai dacă sunt supravegheate și dacă au fost instruite de o persoană responsabilă pentru siguranța lor. Nu lăsați copiii să se joace cu acest aparat.
- În caz de funcționare necorespunzătoare, scoateți aparatul din priză.
- După scoaterea aparatului din priză, așteptați cel puțin 5 minute înainte de a-l introduce din nou în priză.
- Scoateți aparatul din priză când nu îl utilizați.
- Nu atingeți priza dacă aveți mâinile umede! Nu trageți de cablu când scoateți aparatul din priză, țineți întotdeauna de ștecăr.
- Nu introduceți frigiderul în priză dacă duza este slăbită.
- Scoateți aparatul din priză în timpul instalării, întreținerii, curățării și reparării.
- Dacă produsul nu se va utiliza o anumită perioadă de timp, scoateți aparatul din priză și scoateți toate alimentele din interior.
- Nu utilizați produsul când compartimentul cu carduri cu circuite aflat în partea superioară din spate a produsului (capac cutie cu carduri electrice) (1) este deschis.

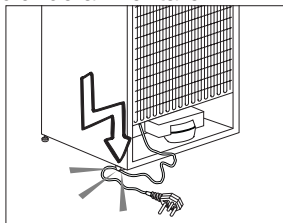


## Instrucțiuni privind siguranța și mediul



- Nu utilizați aburi sau materiale de curățare cu aburi pentru curățarea frigiderului și topirea gheții din interior. Aburul poate intra în contact cu zonele electrificate și poate cauza scurtcircuit sau șoc electric!
- Nu spălați aparatul pulverizând sau turnând apă pe acesta! Pericol de electrocutare!
- În caz de nefuncționare, nu utilizați produsul, întrucât poate cauza șocuri electrice. Contactați centrul de service autorizat înainte de a face ceva.
- Introduceți produsul într-o priză cu împământare. Împământarea trebuie realizată de un electrician calificat.
- Dacă produsul este prevăzut cu iluminare cu leduri, contactați un centru de service autorizat pentru înlocuire sau în caz de orice probleme.
- Nu atingeți alimentele congelate dacă aveți mâinile umede! Acestea se pot lipi de mâini!
- Nu introduceți băuturi la sticlă sau la doză în congelator. Acestea pot exploda!
- Puneți lichidele în poziție verticală după ce ați închis bine capacul.

- Nu pulverizați substanțe inflamabile în apropierea aparatului. Pericol de incendiu și explozie.
- Nu păstrați materiale inflamabile și produse cu gaze inflamabile (spray-uri etc.) în frigider.
- Nu amplasați recipiente conținând lichide pe aparat. Pulverizarea apei pe o piesă electrificată poate cauza șoc electric și pericol de incendiu.
- Expunerea aparatului la ploaie, zăpadă, soare și vânt afectează siguranța sistemului electric. Atunci când mutați frigiderul, nu apucați de mâner. Mânerul se poate rupe.
- Aveți grijă să nu vă prindeți orice parte a mâinilor sau a corpului în oricare dintre piesele mobile din interiorul produsului.
- Nu călcați sau nu vă sprijiniți de ușă, sertare și alte piese similare ale frigiderului. Astfel produsul poate cădea, iar piesele se pot deteriora.
- Aveți grijă să nu vă împiedicați de cablul de alimentare.



### 1.1.1 Avertisment HC

Dacă produsul dvs. este echipat cu un sistem de răcire cu gaz R600a, aveți grijă să nu deteriorați sistemul de răcire și conductele în timpul utilizării și transportării aparatului. Acest gaz este inflamabil. Dacă sistemul de răcire este deteriorat, feriiți produsul de potențialele

## Instrucțiuni privind siguranța și mediul

surse de incendiu și ventilați încăperea imediat.



Tipul de gaz utilizat la produsul dvs. este indicat pe eticheta amplasată în interior, pe partea stângă.

### 1.1.2 Pentru modelele cu dozator de apă

- Presiunea la racordul de alimentare cu apă rece trebuie să fie de maxim 90 psi (620 kPa). Dacă presiunea apei depășește 80 psi (550 kPa), utilizați o supapă de limitare a presiunii la sistemul dvs. de alimentare. Dacă nu știți cum să verificați presiunea apei, cereți ajutorul unui instalator profesionist.
- În cazul în care există riscul efectului de lovitură de berbec al apei în instalația dvs., utilizați întotdeauna un echipament de prevenire a efectului de lovitură de berbec al apei la instalația dvs. Consultați un instalator profesionist dacă nu sunteți siguri cu privire la lipsa efectului de lovitură de berbec al apei în instalația dvs.
- Nu instalați pe racordul de alimentare cu apă caldă. Luați măsuri de precauție împotriva riscului de înghețare a furtunurilor. Intervalul temperaturii de funcționare a apei va fi 33°F (0,6°C) minim și 100 ° F (38°C) maxim.
- A se utiliza numai apă potabilă.

### 1.2. Domeniu de utilizare

- Acest produs a fost conceput pentru uz casnic. Acesta nu este destinat utilizării în scopuri comerciale.

- Produsul trebuie utilizat numai pentru a păstra alimente și băuturi.
- Nu păstrați în frigider produse sensibile care necesită temperaturi controlate (vaccinuri, medicație sensibilă la căldură, materiale medicale etc.).
- Producătorul nu își asumă răspunderea pentru orice deteriorare cauzată de utilizare sau manipulare incorectă.
- Piesele de schimb originale vor fi furnizate timp de 10 ani, de la data cumpărării produsului.

### 1.3. Siguranța copiilor

- Nu lăsați materialele la îndemâna copiilor.
- Nu permiteți copiilor să se joace cu produsul.
- Dacă ușa este dotată cu o încuietoare, nu lăsați cheia la îndemâna copiilor.

### 1.4. Conformitatea cu Directiva DEEE și eliminarea deșeurilor

Acest produs este în conformitate cu Directiva UE privind DEEE (2012/19/UE). Produsul este prevăzut cu un simbol de clasificare pentru deșeurile de echipamente electrice și electronice (WEEE).



Acest produs a fost fabricat cu componente și materiale de înaltă calitate și care pot fi refolosite și sunt potrivite pentru reciclare. Nu eliminați deșeurile produs împreună cu deșeurile menajere normale și alte deșeurile la sfârșitul duratei de viață a produsului. Predați-l la centrul de colectare pentru reciclarea echipamentelor electrice și electronice. Consultați autoritățile locale pentru a afla despre aceste centre de colectare.

## **Instrucțiuni privind siguranța și mediul**

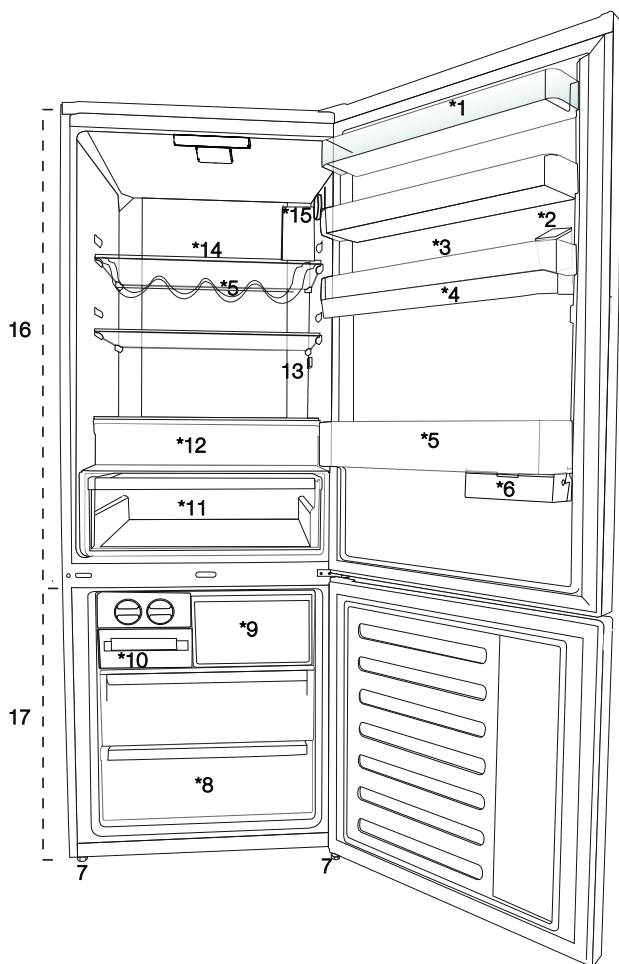
---

### **1.5. Conformitatea cu Directiva RoHS**

- Acest produs este în conformitate cu Directiva UE privind DEEE (2011/65/UE). Acesta nu conține materiale nocive și interzise specificate în Directivă.

### **1.6. Informațiile de pe ambalaj**

- Materialele de ambalare a produsului sunt fabricate din materiale reciclabile în conformitate cu Reglementările naționale privind mediul. Nu eliminați materialele de ambalare împreună cu deșeurile menajere sau alte deșeuri. Predați-le la punctele de colectare a ambalajelor desemnate de autoritățile locale.



- |   |  |
|---|--|
| 1. Raft uşă compartiment congelator         | 10. Tavă cuburi de gheaţă și recipient pentru gheață |
| 2. Rezervor de umplere a dozatorului de apă | 11. Compartiment de legume                           |
| 3. Compartimentul pentru ouă                | 12. Compartiment de zero grade                       |
| 4. Rezervorul dozatorului de apă            | 13. Bec interior                                     |
| 5. Raft pentru sticle                       | 14. Raft uşă compartiment congelator                 |
| 6. Cutii de stocare glisante                | 15. Buton de reglare temperatură                     |
| 7. Picioare reglabile                       | 16. Compartiment congelator                          |
| 8. Compartiment congelator                  | 17. Compartimentul congelatorului                    |
| 9. Compartiment de congelare rapidă         |  |



\*Opțional: Imaginile din acest manual de utilizare sunt schematice și este posibil să nu fie identice cu produsul dumneavoastră. Informațiile pentru componentele care nu există în dotarea produsului achiziționat de dumneavoastră se aplică pentru alte modele.

### 3.1. Locul corect pentru montare

Pentru montarea produsului, contactați service-ul autorizat. Pentru pregătirea produsului pentru montare, consultați informațiile din ghidul de utilizare și asigurați-vă că conexiunile electrice și de apă sunt corespunzătoare. Dacă nu, apelați la un electrician și instalator pentru a face aceste conexiuni corespunzătoare.

	<b>AVERTISMENT:</b> Producătorul nu își va asuma răspunderea pentru orice pagube rezultate din activitatea efectuată de către persoane neautorizate.
	<b>AVERTISMENT:</b> În timpul montării produsului, cablul de alimentare trebuie să fie deconectat. Nerespectarea acestui lucru poate cauza decesul sau vătămări grave!
	<b>AVERTISMENT:</b> Dacă lățimea ușii este prea mică pentru ca produsul să treacă prin aceasta, scoateți ușa și rotiți produsul pe o parte; dacă nici acest lucru nu funcționează, contactați service-ul autorizat.

- Plasați produsul pe o suprafață dreaptă pentru evitarea vibrațiilor.
- Plasați produsul la o distanță de cel puțin 30 cm de radiator, plită sau surse similare de căldură și la cel puțin 5 cm de cuptoare electrice.
- Nu expuneți produsul la razele solare directe sau mențineți-l în medii umede.
- Pentru funcționarea eficientă a produsului acesta necesită o circulare a aerului corespunzătoare.
- Dacă produsul va fi montat într-un chioșc, amintiți-vă să lăsați cel puțin 5 cm distanță între produs, tavan și pereți.

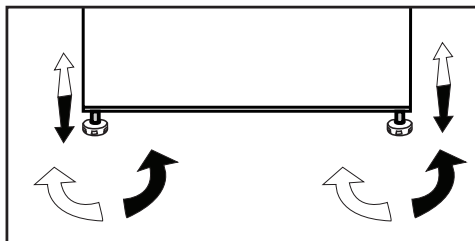
- Nu montați produsul în medii cu temperaturi sub  $-5^{\circ}\text{C}$ .

### 3.2. Montarea distanțierelor din plastic

Utilizați distanțierile din plastic furnizate împreună cu produsul pentru a furniza o distanță suficientă pentru circulația aerului între produs și perete.

**1.** Pentru montarea distanțierilor, scoateți șuruburile de pe produs și utilizați șuruburile furnizate împreună cu distanțierile.

**2.** Introduceți cei 2 distanțieri din plastic pe protecția sistemului de ventilare, conform figurii de mai jos.



## Instalarea

### 3.3. Ajustarea picioarelor

Dacă produsul nu se află în poziție de echilibru, reglați picioarele frontale prin rotirea acestora în partea stângă sau dreaptă.

### 3.4. Conexiunea electrică



**AVERTISMENT:** Nu utilizați prelungitoare sau prize multiple în conexiunea electrică.



**AVERTISMENT:** Cablul de alimentare avariata trebuie să fie înlocuit de către un service autorizat.



Atunci când plasați două frigidere în poziții adiacente, lăsați o distanță de cel puțin 4 cm între acestea.

- Compania noastră nu își va asuma răspunderea pentru orice pagube rezultate din utilizarea fără împământare și conexiune electrică neconformă cu regulamentele naționale.
- Ștecherul cablului de alimentare trebuie să fie ușor accesibil după instalare.
- Nu utilizați ștechere multiple cu sau fără prelungitoare între priza de perete și frigider.

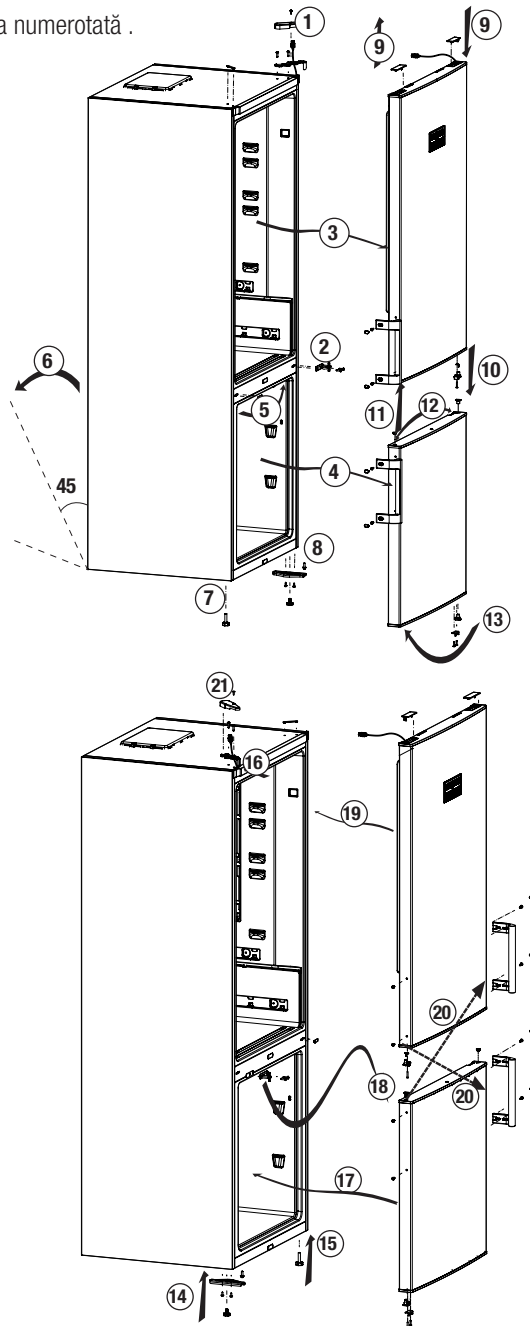


**Avertisment suprafață fierbinte**  
Pereții laterali ai produsului sunt echipați cu țevi de refrigerare pentru a ameliora sistemul de răcire. Agentul frigorific cu temperaturi înalte poate curge prin aceste zone, rezultând suprafețe fierbinți pe pereții laterali. Este normal și nu este nevoie de reparații. Fiți atenți în timp ce atingeți aceste zone.

## Instalarea

### 3.5. Inversarea ușilor

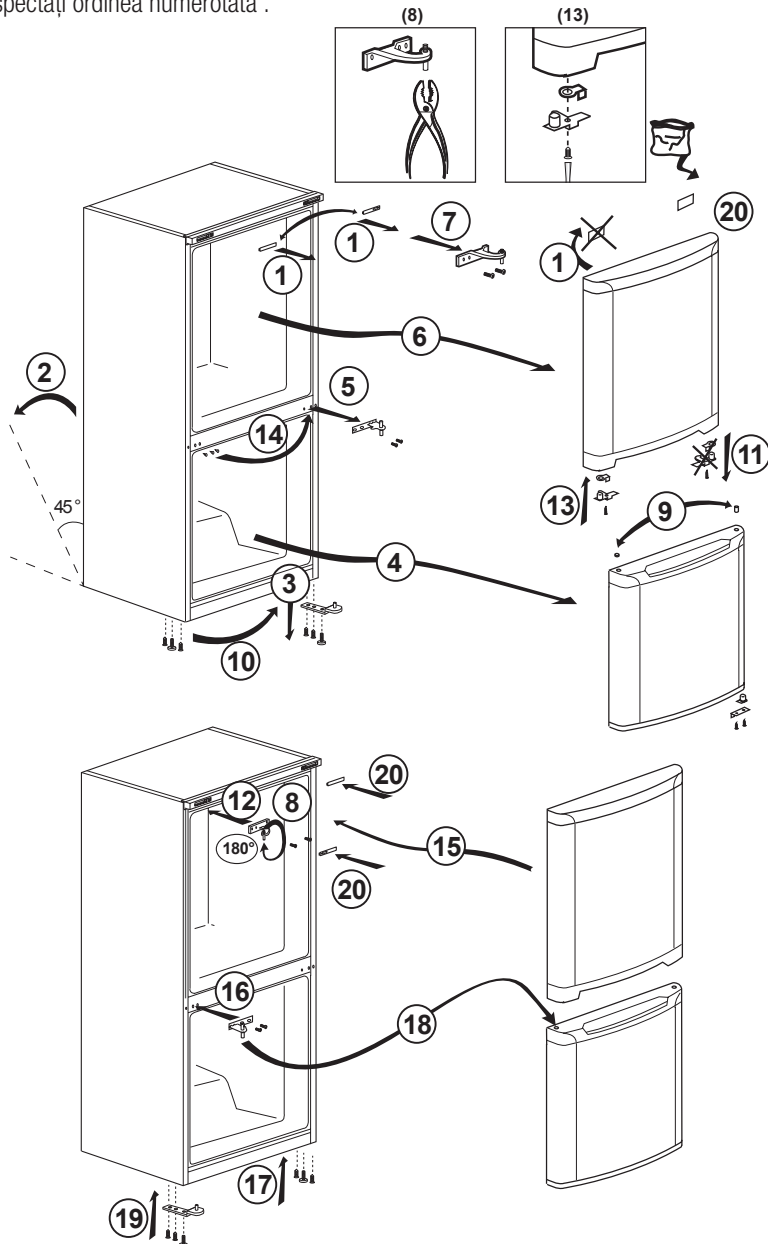
Respectați ordinea numerotată .



## Instalarea

### 3.6. Inversarea ușilor

Respectați ordinea numerotată .





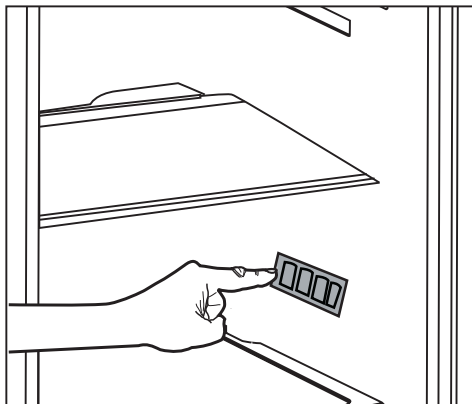
### 4.1. Sfaturi pentru economisirea energiei



Conectați produsul la sistemele de economisire a energiei electrice este periculoasă și poate cauza avarierea produsului.

- Nu mențineți ușile frigiderului deschise pentru perioade lungi de timp.
- Nu introduceți alimente calde sau băuturi în frigider.
- Nu supraîncărcați frigiderul; blocarea curentului intern de aer va reduce capacitatea de răcire.
- Pentru depozitarea cantității maxime de alimente în compartimentul de congelare al frigiderului, dumneavoastră trebuie să scoateți sertarele superioare și să introduceți raftul din sticlă. Consumul de energie declarat al frigiderului dumneavoastră a fost determinat prin scoaterea compartimentului de congelare, tăvii de gheață și a sertarelor superioare pentru a permite depozitarea maximă. În momentul depozitării, este recomandat utilizarea sertarului inferior. Funcția de economisire a energiei trebuie să fie activată pentru cel mai bun consum de energie.
- Nu trebuie să blocați debitul de aer prin introducerea alimentelor în fața ventilatorului congelatorului. În momentul introducerii alimentelor, un spațiu de minim 3 cm trebuie să fie lăsat în fața grilajului de protecție al ventilatorului.
- Depinzând de caracteristicile produsului; dezghețarea alimentelor congelate în compartimentul de congelare va asigura economisire de energie și va menține calitatea alimentelor.
- Alimentele trebuie să fie depozitate utilizând sertarele din compartimentul congelatorului pentru a se asigura economisirea energiei și protejarea acestora în condiții mai bune.
- Ambalajele alimentelor nu trebuie să fie în contact direct cu senzorul de căldură localizat în congelator. Dacă acestea se află în contact cu senzorul, consumul de energie al produsului ar putea crește.

- Asigurați-vă că alimentele nu se află în contact cu senzorul de temperatură al compartimentului congelatorului descris mai jos.



### 4.2. Prima utilizare

Înainte de a utiliza frigiderul, asigurați-vă că operațiunile necesare de pregătire respectă instrucțiunile aflate în secțiunile "Instrucțiuni de siguranță și mediu" și "Montaj":

- Mențineți funcționarea produsului fără alimente timp de 6 ore și nu deschideți ușa, doar dacă este absolut necesar.



Un sunet va fi auzit atunci când compresorul este angrenat. Atunci când compresorul este inactiv este normal să auziți acest sunet, datorită lichidelor și gazelor compresibile aflate în sistemul de răcire.



Marginile frontale ale produsului se pot încălzi. Acest fenomen este normal. Aceste zone sunt proiectate să se încălzească pentru prevenirea condensării.



La unele modele, panoul cu instrumente se oprește după 5 minute după ce ușa a fost închisă. Acesta va fi reactivat atunci când ușa a fost deschisă sau când o tastă este apăsată.

## 5 Utilizarea produsului

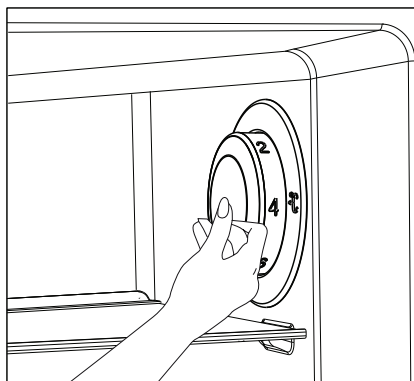
### 5.1. Buton de reglare temperatură

Temperatura internă a frigiderului variază în funcție de următoarele motive:

- Temperatura exterioară
- Deschiderea frecventă a ușii și lăsarea acesteia deschisă pentru perioade lungi,
- Preparate introduse în frigider fără a fi răcite la temperatura camerei,
- Poziția frigiderului în cameră (de ex. expunerea la razele solare).
- Temperatura internă variază datorită acestor factori poate fi reglată prin intermediul butonului de reglare.

Numerele din jurul butonului de reglare indică gradele de temperatură ca "°C".

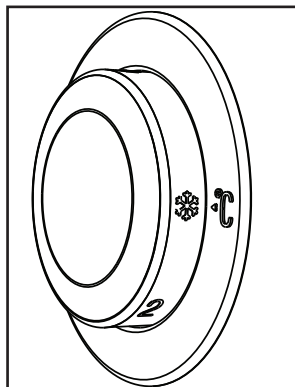
Dacă temperatura ambientală este de 20°C, este recomandat să utilizați reglarea de temperatură a frigiderului la 4°C. În alte temperaturi ambientale această valoare poate fi personalizată.



### 5.2. Congelare rapidă

Dacă dumneavoastră doriți să congelați cantități mari de alimente proaspete, comutați butonul de reglare a temperaturii în poziția (❄️) înainte de introducerea alimentelor în compartimentul de congelare rapidă.


Este recomandat să mențineți acest buton în această poziție pentru 24 de ore pentru a congela cantitatea maximă de alimente indicată ca capacitate de congelare. Fiți atenți să nu amestecați alimentele deja congelate cu cele proaspete.



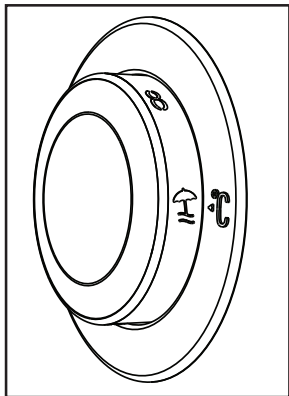
## Utilizarea produsului

Amintiți-vă să comutați butonul de reglare a temperaturii la poziția anterioară.

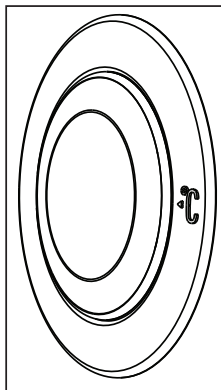
### 5.3. Funcția Vacanță

Dacă ușile produsului nu sunt (  ) deschise pentru cel puțin 12 ore după reglarea butonului de setare a temperaturii la setarea maximă, funcția Vacanță este activată automat.

Setarea butonului trebuie să fie modificată pentru a anula funcția.



Atunci când această funcție este activată, nu este recomandat să mențineți alimente în compartimentul congelatorului.



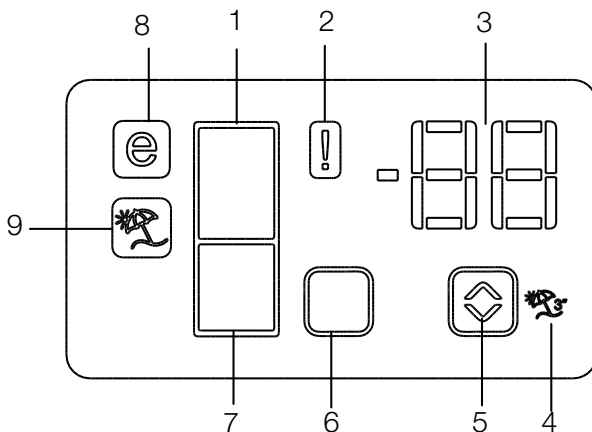
- După ce setarea este finalizată, dumneavoastră puteți ascunde butonul de setare a temperaturii prin apăsarea în interior.

## Utilizarea produsului

### 5.4. Panoul de afișaj

Panourile de afișaj pot diferi în funcție de modelul produsului dvs.

Funcțiile acustice și vizuale ale panoului de afișaj vă vor ajuta la utilizarea frigiderului.



1. Indicator compartiment frigider
2. Indicator stare eroare
3. Indicator de temperatură
4. Buton funcție vacanță
5. Buton de reglare a temperaturii
6. Buton de selectare a compartimentului
7. Indicator compartiment frigider
8. Indicator de funcționare economică
9. Indicator funcție vacanță

**\*opțional**



\*Opțional: Imaginile din acest manual de utilizare sunt schematice și este posibil să nu fie identice cu produsul dvs. Informațiile pentru componentele care nu există în dotarea produsului achiziționat de dvs. se aplică pentru alte modele.

## Utilizarea produsului

### 1. Indicator compartiment frigider

Becul din compartimentul frigiderului se va aprinde când reglați temperatura compartimentului frigiderului.

### 2. Indicator stare eroare

Acest senzor se va activa dacă frigiderul nu răcește corespunzător sau în caz de defecțiune a senzorului. Când acest indicator este activ, indicatorul de temperatură a compartimentului congelatorului va afișa „E”, iar indicatorul de temperatură a compartimentului frigiderului va afișa cifrele „1, 2, 3 etc.”. Cifrele de pe indicator informează personalul de service cu privire la defecțiune.

### 3. Indicator de temperatură

Indică temperatura din compartimentele frigiderului și congelatorului.

### 4. Buton funcție vacanță

Pentru a activa acest buton, apăsați și mențineți apăsat butonul Vacation (Vacanță) timp de 3 secunde. Când funcția Vacation este activă, indicatorul de temperatură a compartimentului frigiderului afișează „- -” și nu se va activa niciun proces de răcire în compartimentul frigiderului. Această funcție nu este potrivită pentru a păstra alimente în compartimentul congelatorului. Celelalte compartimente vor rămâne răcite la temperatura respectivă setată pentru fiecare compartiment.

Apăsați butonul Vacation („Vacanță”) (🌴) din nou pentru a anula această funcție.

### 5. Buton de reglare a temperaturii

Temperatura compartimentului respectiv variază între -24°C..... -18°C și 8°C...1°C.

### 6. Buton de selectare a compartimentului

Utilizați butonul de selectare a compartimentului frigiderului pentru a comuta între compartimentele congelatorului și frigiderului.

### 7. Indicator compartiment frigider

Becul din compartimentul congelatorului se va aprinde când reglați temperatura compartimentului frigiderului.

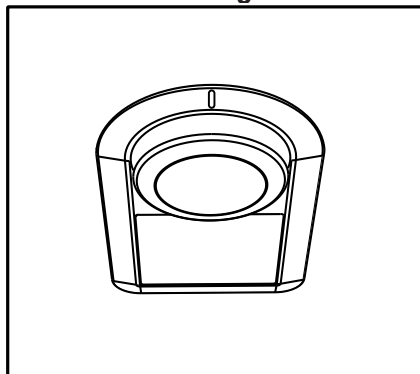
### 8. Indicator de funcționare economică

Indică faptul că frigiderul funcționează pe modul de economisire a energiei. Acest indicator va fi activ când temperatura din compartimentul frigiderului este setată la -18°C.

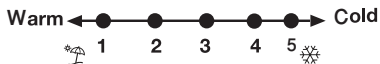
### 9. Indicator funcție vacanță

Indică faptul că fun

## 5.5. Utilizarea frigiderului



Temperatura de funcționare este reglată de către termostat.



### 1=Setarea minimă de răcire (Setarea maximă).

### 4=Setarea maximă de răcire (Setarea minimă).

Temperatura medie din interiorul frigiderului trebuie să fie în jur de +5°C.

Reglați în funcție de temperatura dorită.

## Utilizarea produsului

Rețineți că în zona de răcire vor fi temperaturi diferite.

Zona cea mai rece se află chiar deasupra compartimentului pentru legume.

Temperatura interioară depinde de asemenea de temperatura mediului, frecvența cu care ușa este deschisă și cantitatea de alimente păstrate în interior.

Deschiderea frecventă a ușii determină creșterea temperaturii interioare.

Din acest motiv, se recomandă închiderea ușii imediat după utilizare.

### 5.6. Buton de reglare termostat

Temperatura interioară a frigiderului se modifică din următoarele motive:

- Temperatura exterioară
- Deschiderea frecventă a ușii și lăsarea ușii deschise perioade lungi de timp,
- Alimente introduse în frigider fără a fi răcite la temperatura camerei,
- Amplasarea frigiderului în încăpere (de ex. expunerea la soare).
- Variațiile temperaturii interioare datorate acestor factori pot fi compensate folosind termostatul. Numerele din jurul termostatului indică gradul de răcire.
- Dacă temperatura ambientală depășește 32°C, rotiți butonul termostatului în poziția maximă.
- Dacă temperatura ambientală este mai mică de 25°C, rotiți butonul termostatului în poziția minimă.

### 5.7. Dezghețarea

#### Compartimentul frigiderului

Compartimentul frigiderului se dezgheată complet automat. În timpul răcirii frigiderului, pe interiorul peretelui din spate se pot forma picături de apă și un strat de gheață de 7-8 mm. Acest fenomen este normal și se datorează sistemului de răcire. Sistemul de

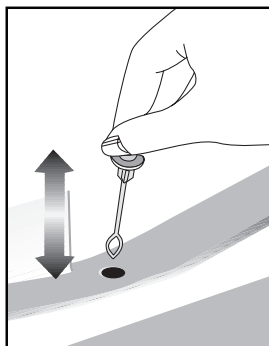
dezghețare automată asigură dezghețarea automată a stratului de gheață la anumite intervale de timp. Nu este necesară răzuirea manuală a gheții sau ștergerea picăturilor de apă.

Apa rezultată în urma dezghețării curge în canalul de colectare a apei și ajunge prin conducta de evacuare pe evaporator, unde se evaporă.

Compartimentul de congelare nu se dezgheată automat, pentru a preveni alterarea alimentelor congelate.

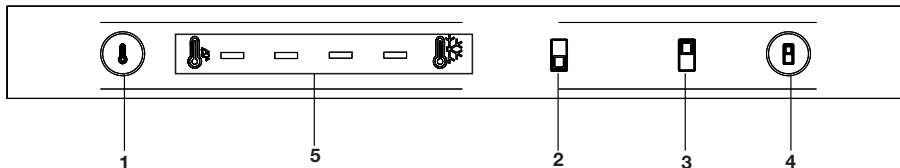
Compartimentul congelatorului se dezgheată automat.

Verificați periodic dacă conducta de evacuare nu este înfundată și curățați-o cu bețișorul din orificiu dacă este cazul.



## Utilizarea produsului

### 5.8. Panoul de afișaj



- 1.** Tastă pentru schimbarea valorii de răcire: Este folosită pentru ajustarea temperaturii de răcire a frigiderului și a compartimentelor congelatorului. Dacă apăsați această tastă când indicatorul compartimentului congelatorului (2) este aprins, se va schimba gradul de răcire a compartimentului congelatorului. Dacă apăsați această tastă când indicatorul compartimentului frigiderului (3) este aprins, se va schimba gradul de răcire a compartimentului frigiderului.
- 2.** Indicator compartiment congelator: Când acest indicator este aprins, gradul actual de răcire al compartimentului congelatorului este afișată pe indicatorul de răcire (5). Puteți apăsa tasta pentru schimbarea valorii de răcire (1) pentru a schimba valoarea de răcire a compartimentului congelatorului.
- 3.** Indicator compartiment frigider: Când acest indicator este aprins, gradul actual de răcire al compartimentului frigiderului este afișată pe indicatorul de răcire (5). Puteți apăsa tasta pentru schimbarea valorii de răcire (1) pentru a schimba valoarea de răcire a compartimentului frigiderului.
- 4.** Buton selectare compartiment: Este folosit pentru a selecta compartimentele frigiderului sau a congelatorului.
- 5.** Indicator de răcire: Arată valoarea gradului de răcire pentru compartimentul selectat. Valoarea răcirii se mărește de la stânga la dreapta.

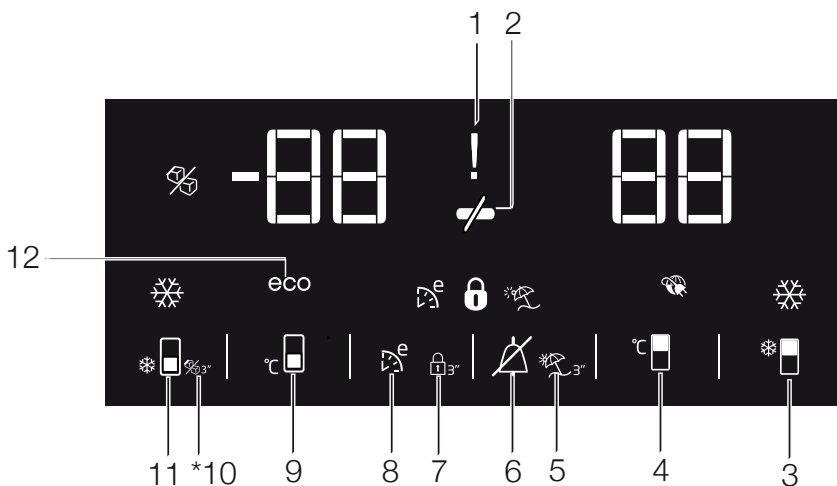


\*Opțional: Imaginile din acest manual de utilizare sunt schematice și este posibil să nu fie identice cu produsul dvs. Informațiile pentru componentele care nu există în dotarea produsului achiziționat de dvs. se aplică pentru alte modele.


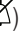
## Utilizarea produsului

### 5.9. Panou indicator

Panoul indicator vă permite să setați temperatura și să controlați celelalte funcții corespunzătoare produsului fără deschiderea ușii produsului. Doar apăsați inscripțiile de pe butoanele relevante pentru setările funcțiilor.



#### 1. Indicator pană de curent/temperatură ridicată/ avertizare eroare

Acest indicator  iluminează în timpul unei pene de curent, probleme de temperatură ridicată sau avertismente de eroare. În timpul penelor de curent susținute, temperatura cea mai ridicată din compartimentul congelatorului la care ajunge va clipi pe afișajul digital. După verificarea alimentelor plasate în compartimentul frigiderului () apăsați butonul de oprire a alarmei pentru anularea avertismentului.

#### 2. Funcția de economisire a energiei (afișaj oprit):

Dacă ușile produsului sunt menținute închise pentru o durată lungă de timp funcția de economisire a energiei este activată automat

și simbolului de economisire a energiei este iluminat. ()

În momentul când funcția de economisire a energiei este activată, toate simbolurile de pe afișaj altele decât simbolul de economisire a energiei vor fi oprite. În momentul când funcția de economisire a energiei este activată, dacă orice buton este apăsat sau ușa este deschisă, funcția de economisire a energiei va fi anulată iar simbolurile de pe afișaj vor reveni la normal.

Funcția de economisire a energiei este activată în timpul expedierii din fabrică și nu poate fi anulată.




\*Opțional: Imaginile din acest manual de utilizare sunt schematice și este posibil să nu fie identice cu produsul dvs. Informațiile pentru componentele care nu există în dotarea produsului achiziționat de dvs. se aplică pentru alte modele.



## Utilizarea produsului

### 3.Funcția Quick Fridge:

Butonul are două funcții. Pentru activarea și dezactivarea funcției de răcire rapidă apăsați butonul scurt. Indicatorul Răcire rapidă se va stinge, iar frigiderul va reveni la setările normale. 



Utilizați funcția de răcire rapidă atunci când doriți să răciți rapid alimentele introduse în compartimentul frigider. Dacă doriți să răciți cantități mari de alimente proaspete, activați această funcție înainte de introducerea alimentelor în frigider.



Dacă nu anulați, funcția de răcire rapidă se va anula automat după 8 ore sau în momentul în care compartimentul frigiderului ajunge la temperatura dorită.



Dacă apăsați butonul de congelare rapidă în mod repetat la intervale scurte, protecția circuitului electronic va fi activată, iar compresorul nu va porni imediat.





Această funcție nu este memorată în momentul în care energia revine după o pană de curent.

### 4. Buton setare temperatură compartiment frigider

Apăsați acest buton pentru a seta temperatura compartimentului frigiderului la 8, 7,6, 5,4,3, 2, și respectiv 8. Apăsați acest buton pentru a seta temperatura compartimentului frigider la valoarea dorită. 


### 5.Funcția Vacanță:

Pentru a activa funcția Vacanță, apăsați acest buton () timp de 3 secunde, iar

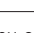
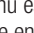
indicatorul modului Vacanță () va fi activat. Atunci când funcția Vacanță este activată, semnul "- -" este afișat pe indicatorul de temperatură a compartimentul frigider iar nicio operațiune activă de răcire nu este efectuată în compartimentul frigider. Atunci când această funcție este activată, nu este potrivit să mențineți alimente în compartimentul frigider. Alte compartimente vor continua să fie răcite după setarea temperaturii

Pentru anularea acestei funcții apăsați butonul **funcției Vacanță** din nou.

### 6. Avertisment oprire alarmă:

În cazul unei pene de curent/alarmă temperatură ridicată, după verificarea mâncării localizate în compartimentul congelatorului apăsați butonul de oprire a alarmei () pentru a întrerupe avertismentul.

### 7. Blocare taste


Apăsați butonul de blocare a tastelor () simultan timp de 3 secunde. Simbol blocare taste Simbolul () se va aprinde iar modul de blocare a tastelor va fi activat. În momentul când modul de blocare a tastelor este activ, tastele nu vor funcționa. Apăsați din nou butonul de blocare a tastelor simultan timp de 3 secunde. Simbolul de blocare a tastelor se va stinge, iar modul de blocare a tastelor va fi dezactivat.

Apăsați butonul de **blocare a tastelor** dacă dumneavoastră doriți să preveniți modificarea setării temperaturii frigiderului. ()

### 8. Eco fuzzy

Apăsați și mențineți butonul Eco Fuzzy timp de o secundă pentru a activa funcția Eco Fuzzy.

## Utilizarea produsului

Frigiderul va funcționa în cel mai economic mod timp de 6 ore, iar indicatorul de utilizare economică va fi aprins în momentul în care această funcție este activă (  ). Apăsați și mențineți butonul Eco Fuzzy timp de 3 secunde pentru a dezactiva funcția Eco Fuzzy.


Acest indicator este iluminat după 6 ore după ce funcția Eco Fuzzy este activată.

### 9. Buton setare temperatură compartiment congelator

Apăsați acest buton pentru a seta temperatura compartimentului congelatorului la -18, -19, -20, -21, -22, -23, -24, respectiv -18. Apăsați acest buton pentru a seta temperatura compartimentului congelator la valoarea dorită.



### 10. Indicator oprire aparat icematic

Indică dacă aparatul icematic este pornit sau oprit. Dacă simbolul (  ) este Pornit, apoi aparatul icematic nu funcționează. Pentru a utiliza din nou aparatul icematic apăsați și mențineți butonul Pornit-Oprit timp de 3 secunde.



Debitul de apă din rezervorul de apă se va opri atunci când această funcție este selectată. Totuși, gheața răcită anterior poate fi luată din aparatul icematic.

### 11. Buton funcție Quick freeze/buton pornit-oprit aparat icematic

Apăsați acest buton pentru a activa sau a dezactiva funcția de congelare rapidă. Atunci când activați această funcție, compartimentul frigider va fi răcit la o temperatură mai mică decât valoarea setată. (  )

Pentru a porni și opri aparatul icematic apăsați și mențineți apăsat timp de 3 secunde.



Utilizați funcția de congelare rapidă atunci când doriți să congelați rapid alimentele introduse în compartimentul frigider. Dacă doriți să congelați cantități mari de alimente proaspete, activați această funcție înainte de introducerea alimentelor în frigider.




Dacă nu anulați, funcția de răcire rapidă se va anula automat după 4 ore sau în momentul în care compartimentul frigiderului ajunge la temperatura dorită.



Această funcție nu este memorată în momentul în care energia revine după o pană de curent.

### 12. Indicator de utilizare economică

Indică că produsul funcționează într-un mod eficient din punct de vedere al energiei.

(  ) Acest indicator va fi activ dacă temperatura compartimentul congelatorului este setată la -18 sau răcirea eficientă din punct de vedere economic este efectuată datorită funcției Eco-Extra

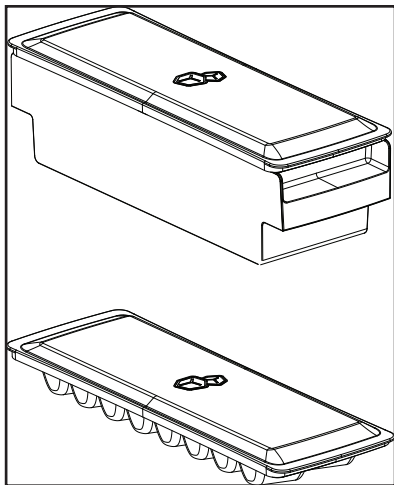


Indicatorul de utilizare economică este oprit atunci când funcțiile de răcire și congelare rapidă sunt selectate.

## Utilizarea produsului

### 5.10. Recipientul pentru gheață (Opțional)

- Luați recipientul pentru gheață din compartimentul congelator.
- Umpleți recipientul pentru gheață cu apă.
- Plasați recipientul pentru gheață în compartimentul congelator.
- Gheața va fi gata după aproximativ două ore. Luați recipientul pentru gheață din compartimentul congelatorului și înclinați-l ușor peste suportul pe care-l veți servi. Gheața va curge ușor în suportul de servire.



### 5.11. Suport de ouă

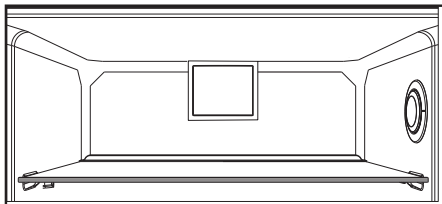
Dumneavoastră puteți plasa suportul de ouă pe ușa sau rafturile corpului. Dacă dumneavoastră decideți să plasați suportul pe rafturi, este recomandat să-l montați pe rafturile de jos deoarece sunt mai reci.



Nu plasați suportul pentru ouă în compartimentul congelatorului.

### 5.12. Ventilator

Ventilatorul a fost proiectat să distribuie și să circule și să distribuie omogen aerul rece în interiorul frigiderului. Durata de funcționare a ventilatorului poate varia în funcție de caracteristicile produsului dumneavoastră. În timp ce la unele produse, ventilatorul funcționează doar cu compresor, în altele sistemul de control determină durata de funcționare bazată pe nevoia de răcire.



### 5.13. Compartiment de legume (Opțional)

Compartimentul de legume al produsului este proiectat să mențină legumele proaspete prin păstrarea umidității. În acest scop, circulația totală a aerului rece este intensificată în compartimentul de legume.

### 5.14. Compartiment de zero grade (Opțional)

Utilizați acest compartiment să mențineți alimentele delicate la temperaturi mai scăzute sau produse din carne pentru consum imediat. Compartimentul de zero grade este cel mai rece compartiment unde alimentele cum ar fi produse lactate, carne pește și pui pot fi depozitate în condiții ideale de depozitare. Fructele și/sau legumele nu trebuie depozitate în acest compartiment.

## Utilizarea produsului

### 5.15. Folosirea celui de-al doilea compartiment pentru legume al produsului;



**Figura 1.**

Așa cum este prezentat în figură, există două opritoare în cel de-al doilea compartiment pentru legume al produsului K70560.



**Figura 2.**

Când este închis, al doilea compartiment pentru legume arată ca în Figura 2.



**Figura 3.**

Cu ușa deschisă la 90°, trageți cel de-al doilea compartiment pentru legume până la primul opritor, după cum este prezentat în Figura 3.

În cazul în care sertarul este deschis mai mult, la început deschideți ușa la cel puțin 135°. După aceea, după cum este prezentat în Figura 4, ridicați cel de-al doilea compartiment pentru legume aproximativ 5mm, astfel încât să fie trecut de primul opritor.



**Figura 4.**

După ridicare, trageți cel de-al doilea sertar până la al doilea opritor după cum arată Figura 5.



**Figura 5.**

## Utilizarea produsului

### 5.16. Raft de uşă mobil

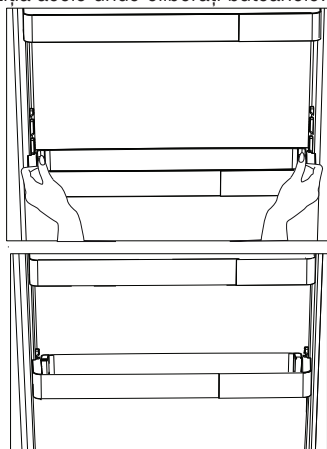
#### (Opțional)

Raftul de uşă mobil poate fi fixat în 3 poziții diferite.

Pentru a muta raftul, apăsați ușor butoanele de pe margini. Raftul va fi mobil.

Mutați raftul sus sau jos.

Atunci când raftul se află în poziția pe care o doriți, eliberați butoanele. Raftul va fi fixat în poziția acolo unde eliberați butoanele.

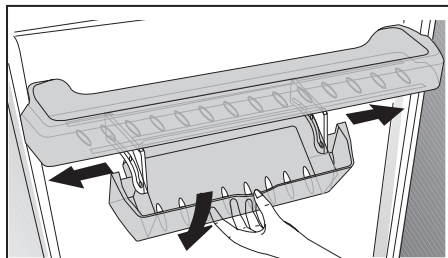


### 5.17. Cutii de stocare glisante

#### (Opțional)

Acest accesoriu este proiectat pentru a crește volumul utilizabil ale rafturilor din uşă.

Datorită abilității sale de a fi mutate lateral, acestea vă permit să plasați sticle cu gât lung, borcane sau cutii care dumneavoastră le introduceți în raftul pentru sticle de mai jos.



### 5.18. Modul de dezodorizare

#### (FreshGuard) \*opțional

Modulul de dezodorizare elimină rapid mirosurile neplăcute din frigider, înainte de a pătrunde în suprafețe. Mulțumită acestui modul care este amplasat în partea superioară a compartimentului pentru alimente proaspete, mirosurile neplăcute se dizolvă în timpul trecerii active a aerului prin filtrul de miros, apoi aerul curățat este retrimis în compartimentul de alimente proaspete. În acest mod, mirosurile nedorite care pot să apară pe parcursul depozitării alimentelor în frigider sunt eliminate înainte de a pătrunde în suprafețe.

Acest lucru este realizat datorită ventilatorului, LED-ului și filtrului de miros integrate în modul. În folosirea zilnică, modulul de dezodorizare se va activa automat în mod periodic.

Pentru a menține performanța eficientă, este recomandat să aveți amplasat filtrul în modulul de dezodorizare de către furnizorul de service autorizat la fiecare 5 ani. Datorită ventilatorului integrat în modul, sunetul pe care îl veți auzi în timpul utilizării este normal. Dacă deschideți ușa compartimentului de alimente proaspete în timp ce modulul este activ, ventilatorul se va întrerupe temporar și va reporni de unde a rămas, după ce ușa este închisă din nou. În cazul unei pene de curent, modulul de dezodorizare va reporni de unde a rămas în perioada totală a operațiunii odată ce revine curentul electric.

Info: Este recomandat să depozitați alimentele aromate (precum brânza, măslinile și delicatesele) în ambalajele lor și etanșate, pentru a evita mirosurile neplăcute care pot să rezulte din amestecul acestora. În plus, se recomandă eliminarea rapidă a alimentelor stricate din frigider, pentru a preveni stricarea și a altor alimente și pentru a evita mirosurile neplăcute.

## Utilizarea produsului

### 5.19. Controlul umidității în compartimentul de legume

#### (Opțional)

Cu caracteristica de control a umidității, coeficientul de umiditate a legumelor și fructelor este ținut sub control și asigură o perioadă mai lungă de proștețime pentru alimente

Pe cât posibil, este recomandat să depozitați legume cu frunze cum ar fi salata verde și spanacul și legume asemănătoare predispuse la pierdere de umezeală nu pe rădăcinile lor ci într-o poziție orizontală în interiorul compartimentului de legume.

Atunci când amplasați legumele, amplasați legumele tari și grele în partea inferioară și cele ușoare și moi în partea superioară, ținând cont de greutatea specifice ale acestora.

Nu lăsați legumele aflate în compartimentul de legume în ambalaje. Lăsarea acestora în pungi de plastic vor cauza descompunerea legumelor într-o perioadă mai scurtă de timp. În termeni de igienă și în situații unde contactul cu alte legume nu este preferat, utilizați materiale de ambalare cum ar fi hârtia care deține o anumită porozitate.

Nu introduceți fructe care au o producție ridicată de gaz etilic cum ar fi perele, caisele, piersicile și merele în același compartiment de legume împreună cu alte legume și fructe. Emiterea gazului etilic din aceste fructe poate cauza ca celelalte fructe și legume să se maturizeze mai rapid și să se descompună într-o perioadă mai scurtă de timp.

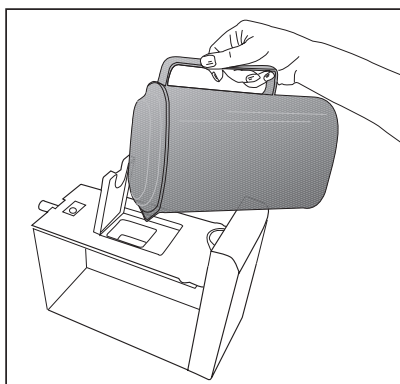
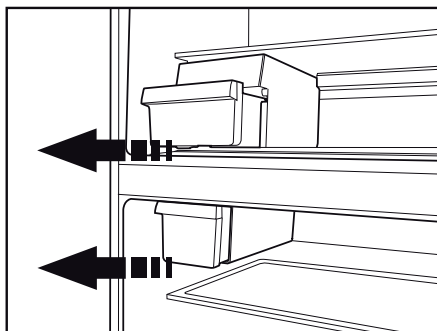
### 5.20. Aparat automat de gheață (Opțional)

Aparatul automat de gheață vă permite să creați gheață ușor în frigiderul dumneavoastră. Pentru a obține gheață din aparatul de gheață, scoateți rezervorul de apă din compartimentul congelatorului, umpleți-l cu apă și fixați-l înapoi. Primele cuburi de gheață vor fi pregătite în aproximativ 2 ore în sertarul aparatului de gheață localizat în compartimentul congelatorului.

După fixarea unui rezervor plin de apă, dumneavoastră puteți obține aproximativ 60-70 cuburi de gheață până când este golit complet. Dacă apa din rezervor a stat timp de 2-3 săptămâni, aceasta trebuie înlocuită.



În produse cu aparat automat de gheață, dumneavoastră veți putea auzi un sunet atunci când gheața cade. Acest sunet este normal și nu reprezintă un semn de avarie.



## Utilizarea produsului

### 5.21. Aparatul Icematic și recipientul de depozitare a gheții

#### \*opțional

#### Utilizarea aparatului Icematic

Umpleți aparatul Icematic cu apă și amplasați-l în suportul său. În aproximativ două ore, gheața va fi gata. Nu demontați aparatul Icematic din suport pentru a lua gheață.

Rotiți butoanele de pe rezervoarele de gheață în sens orar cu 90 de grade.

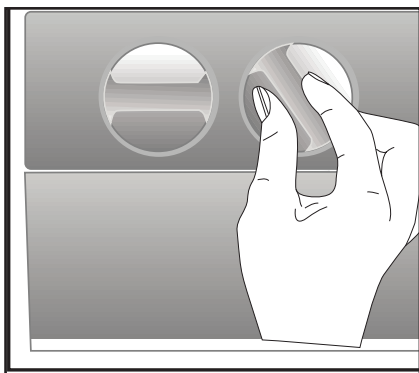
Cuburile de gheață din rezervoare vor cădea în recipientul pentru gheață de dedesubt.

Puteți scoate recipientul pentru a servi cuburile de gheață.

Dacă doriți, puteți păstra cuburile de gheață în recipient.

#### Recipient de depozitare a gheții

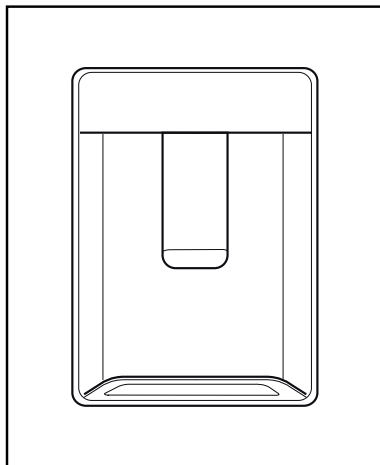
Recipientul pentru gheață este destinat doar păstrării cuburilor de gheață. Nu turnați apă în acesta. În caz contrar, se va rupe.



### 5.22. Dozatorul de apă

#### \*opțional

Dozatorul de apă este o funcție foarte utilă bazată pe ideea de asigurare a accesului la apă rece fără a deschide ușa frigiderului. Nefiind necesară deschiderea frecventă a ușii, veți economisi energie.



### 5.23. Utilizarea dozatorului de apă

Apăsăți pe brațul dozatorului de apă cu paharul. După ce eliberați brațul, dozatorul se va opri.

Atunci când utilizați dozatorul de apă, debitul maxim poate fi obținut prin acționarea completă a brațului.

Rețineți faptul că respectiva cantitate de apă dozată din dozator depinde de gradul de acționare a brațului.

Atunci când nivel de apă din paharul/recipientul dumneavoastră crește, reduceți ușor presiunea de la nivelul brațului pentru a preveni revărsarea apei. Dacă apăsați ușor pe braț, apa va curge sub formă de picături; acesta este un lucru normal și nu este o defecțiune.



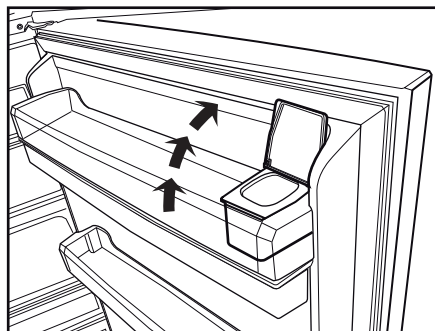
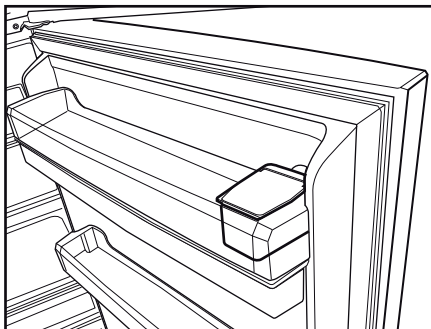
## Utilizarea produsului

### Umplerea rezervorului dozatorului de apă

Recipientul de umplere a rezervorului de apă se află în interiorul raftului de pe ușă. Puteți deschide capacul recipientului și îl puteți umple cu apă potabilă. Ulterior, închideți capacul.

### Avertisment!

- Nu umpleți rezervorul de apă cu niciun alt lichid decât apă, precum sucuri de fructe, lapte, băuturi carbogazoase sau băuturi alcoolice care nu sunt potrivite pentru a fi utilizate într-un dozator de apă. Dozatorul de apă este deteriorat iremediabil dacă folosiți astfel de lichide. Garanția nu acoperă astfel de utilizări necorespunzătoare. Unele substanțe chimice și aditivi incluși în aceste tipuri de băuturi/lichide pot afecta rezervorul de apă și materialele din care este realizat.
- Utilizați numai apă potabilă proaspătă.
- Capacitatea rezervorului de apă este de 3 litri; nu umpleți în exces.
- Apăsăți pe brațul dozatorului de apă cu un pahar din material rigid. Dacă utilizați pahare din plastic de unică folosință, apăsați cu degetele dumneavoastră pe brațul din spatele paharului.





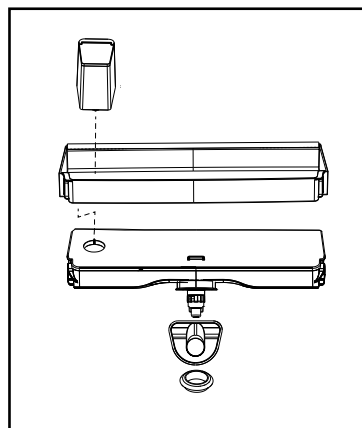
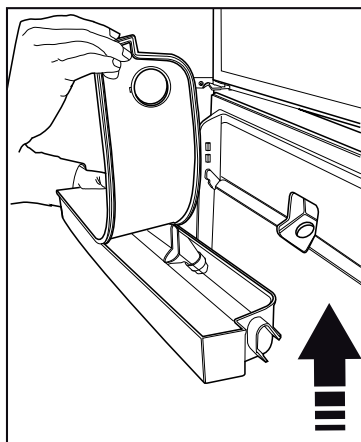
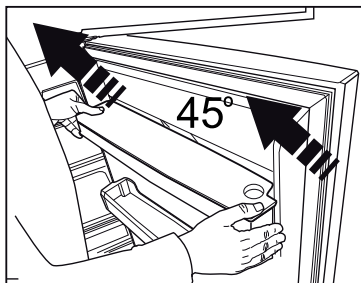
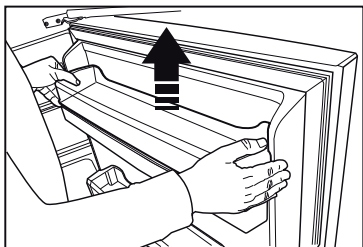
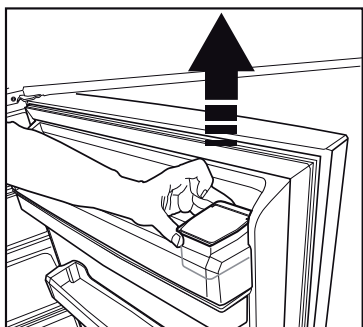
## Utilizarea produsului

### 5.24. Curățarea rezervorului de apă

- Demontați rezervorul de umplere cu apă din raftul de pe ușă.
- Demontați raftul de pe ușă prinzându-l de ambele părți.
- Prindeți rezervorul de apă din ambele părți și demontați-l la un unghi de 45°C.
- Curățați rezervorul de apă demontându-i capacul.

#### Important:

Componentele rezervorului de apă și ale dozatorului de apă nu trebuie spălate în mașina de spălat vase.



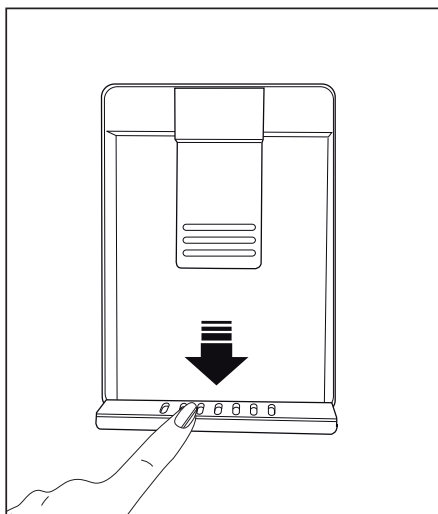
## Utilizarea produsului

### 5.25. Tava pentru apă

Picăturile de apă care se scurg la utilizarea dozatorului de apă se acumulează în tava pentru scurgeri.

Scoateți sita din plastic conform celor indicate în figură.

Cu o lavetă curată și uscată, îndepărtați apa care s-a acumulat.



### 5.26. HerbBox/HerbFresh

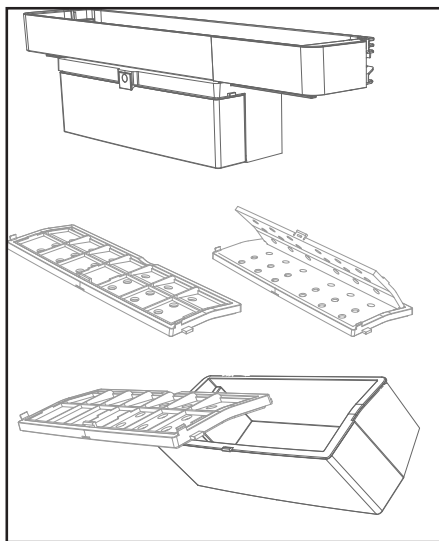
Îndepărtați containerul filmului din HerbBox/HerbFresh+

Scoateți filmul din pungă și puneți-l în container precum în imagine.

Închideți din nou containerul și înlocuiți-l în unitatea HerbBox/HerbFresh+.

Secțiunile HerbBox-HerbFresh+ sunt ideale pentru stocarea diverselor mirodenii care trebuie ținute în condiții delicate. Puteți stoca mirodeniile nedepozitate (pătrunjel, mărar etc.) în această secțiune orizontală și mențineți-le proaspete pentru o perioadă mai lungă.

Filmul trebuie schimbat odata la 6 luni.



## Utilizarea produsului

### 5.27. Congelarea alimentelor proaspete

- Pentru menținerea calității alimentelor, alimentele plasate în compartimentul frigiderului trebuie să fie congelate cât mai repede posibil, utilizați congelarea rapidă pentru acest lucru.
- Congelarea alimentelor atunci când sunt proaspete va extinde timpul de depozitare în compartimentul frigiderului.
- Ambalați alimentele în ambalaje etanșe și sigilați-le.
- Asigurați-vă că alimentele sunt ambalate înainte de a le introduce în congelator. Utilizați compartimente congelatorului, folii de aluminiu și hârtii higrofuge, pungi din plastic sau alte materiale de ambalare în locul hârtiei tradiționale de ambalaj.



Gheața din compartimentul congelatorului se dezgheață în mod automat.

- Marcați fiecare ambalaj prin înscrisurarea datei pe ambalaj înainte de congelare. Acest lucru vă va permite să determinați prospețimea fiecărui ambalaj de fiecare dată când frigiderul este deschis. Mențineți alimentele depozitate anterior în față pentru a vă asigura că sunt utilizate primele.
- Alimentele congelate trebuie să fie utilizate imediat după decongelare și nu trebuie recongelate.
- Nu congelați simultan cantități mari de alimente.

### 5.28. Recomandări pentru depozitarea alimentelor congelate

Compartimentul trebuie să fie setat la cel puțin -18°C.

1. Introduceți alimentele în congelator cât de repede puteți pentru evitarea decongelării.
2. Înainte de congelare, verificați "Data de expirare" de pe ambalaj și asigurați-vă că nu este expirat.
3. Asigurați-vă că ambalajul alimentelor nu este avariat.

Setare temperatură compartiment congelator	Setare temperatură compartiment frigider	Detalii
-18°C	4°C	Aceasta este setarea normală recomandată.
-20, -22 sau -24°C	4°C	Aceste setări sunt recomandate când temperatura ambientală depășește 30°C.
Congelare rapidă	4°C	Folosiți atunci când doriți să congelați alimentele într-o perioadă scurtă de timp. Atunci când procesul se finalizează, produsul se va întoarce la setarea anterioară.
-18°C sau mai rece	2°C	Utilizați aceste setări dacă credeți că congelatorul nu este destul de rece datorită temperaturii ambientale sau deschiderii frecvente a ușii.

## Utilizarea produsului

### 5.29. Detalii despre congelator

Conform standardelor IEC 62552, frigiderul trebuie să aibă capacitatea să congeleze o cantitate de 4,5 kg de alimente la o temperatură de -18°C sau mai mică în 24 de ore pentru fiecare 100 de litri din volumul frigiderului.

Alimentele pot fi menținute pentru perioade mari de timp la o temperatură de -18°C sau mai scăzută.

Dumneavoastră puteți menține alimentele proaspete luni de zile (în congelator la sau temperaturi de 18°C).

Pentru evitarea decongelării parțiale, alimentele care urmează a fi congelate nu trebuie să vină în contact cu alimentele deja congelate din interior.

Fierbeți legumele și filtrați apa pentru a mări timpul de congelare. După filtrarea apei, plasați alimentele în ambalaje etanșe și introduceți-le în frigider. Bananele, roșiile, salata verde, țelina, ouălele fierte, cartofii sau alte tipuri de alimente nu trebuie să fie congelate. În cazul în care acest tip de aliment se descompune, doar valorile nutriționale și calitățile gustative vor fi afectate într-un mod negativ. Un aliment descompus pune în pericol sănătatea persoanei respective.

### 5.30. Introducerea alimentelor

Rafturi congelator	Diverse alimente congelate, cum ar fi carne, pește, înghețată, legume etc.
Rafturi compartiment congelator	Alimente din interiorul oalelor, farfurii acoperite și cutii acoperite, ouă (în cofraje acoperite)
Rafturi ușă compartiment congelator	Alimente mici și împachetate sau băuturi
Compartiment de legume	Fruite și legume

Compartiment de alimente proaspete	Alimentele delicate (alimente pentru mic dejun, produse din carne care vor fi consumate într-o perioadă scurtă)
------------------------------------	---

### 5.31. Alarmă de ușă deschisă

#### (Opțional)

O alertă sonoră va fi auzită dacă ușa produsului rămâne deschisă cel puțin 1 minut. Alerta sonoră se va opri atunci când ușa este închisă sau un alt buton de pe afișaj (dacă este disponibil) este apăsat.

Alarma de ușă deschisă este emisă către utilizator în mod vizual și acustic. Iluminarea interioară va porni dacă alarma continuă timp de 10 minute.

### 5.32. Schimbarea direcției de deschidere a ușii

Dumneavoastră puteți schimba direcția de deschidere a ușii bazându-vă pe locația unde îl utilizați. Atunci când aveți nevoie de acest lucru, consultați cel mai apropiat service autorizat.

Explicația de mai sus reprezintă o afirmație generală. Dumneavoastră trebuie să verificați eticheta de avertisment localizată în interiorul ambalajului produsului în legătură cu schimbarea direcției ușii.

### 5.33. Bec interior

Becul interior utilizează o lampă de tip LED: Contactați service-ul autorizat pentru orice problemă în legătură cu această lampă. Lampa(ile) utilizate în acest produs nu pot fi utilizate pentru iluminat casnic. Utilizarea destinată a acestei lămpi este de a ajuta utilizatorul să introducă alimente în frigider / congelator în siguranță și confortabil.

Durata de viață a produsului este mărită dacă este curățat în mod regulat.



**AVERTISMENT:** Înainte de curățare decuplați mai întâi produsul.

- Nu utilizați niciodată instrumente ascuțite sau abrazive, săpun, substanțe de curățare, detergenți sau ceară de lustruire pentru curățare.
- Dizolvați o linguriță de carbonat în jumătate de litru de apă. Înmuiați un material textil în soluție și stoarceți-o bine. Stergeți interiorul produsului cu acest material textil și uscați-l.
- Asigurați-vă că nu intră apă în carcasa lămpii și în alte componente electrice.
- Curățați ușa cu un material textil umed. Pentru scoaterea ușii și rafturilor din ușă, scoateți toate conținuturile. Scoateți rafturile din ușă prin mișcarea lor în partea superioară. După curățare, pentru montare glisați-le din partea superioară către partea inferioară.
- Nu folosiți niciodată substanțe de curățare cu clor sau apă cu clor pentru curățarea suprafețelor exterioare și a suprafețelor cromate ale produsului. Clorul provoacă coroziunea acestor suprafețe metalice.
- Nu utilizați instrumente ascuțite, abrazive, săpunuri, agenți de curățare de uz casnic, detergenți, kerosen, benzină, lac etc. pentru a preveni eliminarea și deformarea modelelor de pe partea din plastic. Pentru curățare, utilizați apă caldă și un material textil moale și apoi stergeți-l până ce se usucă..

### 6.1. Evitarea mirosurilor urât mirositoare

Materialele care pot cauza miros urât nu sunt utilizate în producerea produselor noastre. Totuși, datorită condițiilor nepotrivite de depozitare a alimentelor și curățarea suprafeței interioare a aparatului cum este solicitat.

Așadar, curățați congelatorul cu carbonat dizolvat în apă după fiecare 15 zile.

- Mențineți alimentele în recipiente închise. Microorganismele care se răspândesc din recipiente deschise pot cauza mirosuri urâte.

- Nu țineți niciodată alimente care au expirat sau sunt alterate în frigider.

### 6.2. Protejarea suprafețelor din plastic

Curățați cu apă caldă imediat deoarece uleiul poate cauza avarierea suprafețelor atunci când este turnat pe suprafețe din plastic.

### 6.3. Geamuri din sticlă

Scoateți folia de protecție de pe geamuri.

Pe suprafața geamurilor este aplicat un film de protecție. Acest film de protecție minimizează acumularea petelor și vă ajută să scoateți petele posibile și murdăria ușor. Ușile care nu sunt protejate de un asemenea film pot fi supuse la aderența persistentă a compușilor organici și anorganici bazați pe aer sau apă cum ar fi depunerea de calcar, sărurile minerale, hidrocarburi nearse, oxizi metalici și silicoanați care pot cauza ușor și rapid pete și avarii materiale. Menținerea geamurilor curate devine prea dificilă în ciuda curățării regulate. Prin urmare, claritatea și transparența geamului se deteriorează. Metode de curățare puternice și corozive și compuși vor intensifica aceste defecte și accelerează procesul de deteriorare.

Produse de curățare bazate pe apă care nu sunt alcaline și corozive trebuie să fie utilizate în scopul curățării regulate.

Materialele non-alcaline și non-corozive pot fi utilizat pentru curățare pentru ca durata de viață al acestui film să fie extinsă pentru o perioadă mai mare de timp.

Geamurile sunt călite pentru a crește durabilitatea împotriva impacturilor și spargerii.

De asemenea, o peliculă de siguranță este aplicată pe suprafețele posterioare pentru o măsură de siguranță suplimentară pentru a se preveni provocarea avariilor în timpul spargerii.

\*Alcalii reprezintă o bază care formează ioni de hidroxid (OH) atunci când este dizolvată în apă.

Li (Litiu), Na (Sodiu), K (Potasiu) Rb (Rubidiu), Cs (Cesiu) și metale artificiale și radioactive Fr (Francium) sunt denumite METALE ALICALINE.

## 7 Depanare

Înainte de a apela la service, citiți această listă. Puteți economisi timp și bani. Această listă include probleme frecvente care nu sunt provocate de defecte de material sau de manoperă. Este posibil ca unele funcții descrise aici să nu se aplice pentru produsul dvs.

### Frigiderul nu funcționează.

- Ștecărul nu este introdus corect în priză. >>> *Introduceți ștecherul în priză.*
- Siguranța prizei la care este conectat frigiderul sau siguranța principală este arsă. >>> *Verificați siguranțele.*

### Condens pe perețele lateral al compartimentului frigiderului (MULTI ZONE, COOL CONTROL și FLEXI ZONE).

- Mediu foarte rece. >>> *Nu instalați produsul în medii cu temperaturi sub -5°C.*
- Deschidere frecventă a ușii >>> *Aveți grijă să nu deschideți ușa frigiderului prea frecvent.*
- Mediu foarte umed. >>> *Nu instalați produsul în medii umede.*
- Alimentele lichide sunt păstrate în recipiente deschise. >>> *Păstrați alimentele lichide în recipiente închise.*
- Ușa frigiderului este întredeschisă. >>> *Nu lăsați ușa frigiderului deschisă perioade îndelungate de timp.*
- Termostatul este setat la o temperatură prea scăzută. >>> *Setați termostatul la o temperatură adecvată.*

### Compresorul nu funcționează.

- Sistemul de protecție termică a compresorului se va activa în cazul penelor de curent sau în cazul deconectării și reconectării la priză, întrucât presiunea din sistemul de răcire nu este încă echilibrată. Frigiderul va porni după circa 6 minute. Contactați un centru de service dacă frigiderul nu pornește după această perioadă.
- Frigiderul este în modul de dezghețare. >>> *Acest mod este normal pentru un frigider cu dezghețare automată. Ciclul de dezghețare are loc periodic.*
- Frigiderul nu este conectat la priză. >>> *Asigurați-vă că ștecărul este introdus corect în priză.*
- Reglarea temperaturii nu este corectă. >>> *Selectați temperatura adecvată.*
- Pană de curent. >>> *Frigiderul va continua să funcționeze normal după ce curentul revine.*

### În timpul funcționării frigiderului, zgomotul devine mai intens.

- Modul de funcționare a frigiderului se poate modifica în funcție de condițiile ambientale. Acesta este un fenomen normal și nu reprezintă o defecțiune.

### Frigiderul pornește des sau funcționează perioade îndelungate de timp.

## Depanare

- Este posibil ca noul frigider să fie mai mare decât cel vechi. Frigiderele mari funcționează perioade îndelungate de timp.
- Este posibil ca temperatura din încăperea să fie ridicată. >>> *De regulă, frigiderul funcționează perioade îndelungate de timp la temperaturi ridicate în încăperea.*
- Este posibil ca frigiderul să fi fost conectat recent la priză sau să fi fost umplut recent cu alimente. >>> *Dacă frigiderul a fost conectat recent la priză sau a fost umplut cu alimente, va dura mai mult până frigiderul va atinge temperatura setată. Acest lucru este normal.*
- Este posibil ca în frigider să fi fost introduse recent cantități mari de alimente calde. >>> *Nu introduceți alimente calde în frigider.*
- Este posibil ca ușile să fi fost deschise frecvent sau lăsate întredeschise mai mult timp. >>> *Aerul cald care pătrunde în frigider determină funcționarea pe perioade mai îndelungate de timp. Deschideți mai rar ușile.*
- Este posibil ca ușa congelatorului sau frigiderului să fi fost lăsată întredeschisă. >>> *Verificați dacă ușile sunt închise corect.*
- Ați selectat o temperatură foarte joasă. >>> *Selectați o temperatură mai ridicată și așteptați ca aceasta să fie atinsă.*
- Este posibil ca garnitura ușii frigiderului sau congelatorului să fie murdară, uzată, ruptă sau poziționată incorect. >>> *Curățați sau înlocuiți garnitura. Garniturile deteriorate/defecte determină funcționarea pe perioade îndelungate de timp a frigiderului pentru a se asigura temperatura corectă.*

### **Temperatura congelatorului este foarte joasă, iar temperatura frigiderului este adecvată.**

- Ați selectat o temperatură foarte joasă a congelatorului. >>> *Selectați o temperatură mai ridicată a congelatorului și verificați din nou.*

### **Temperatura frigiderului este foarte joasă, iar temperatura congelatorului este adecvată.**

- Ați selectat o temperatură foarte joasă a frigiderului. >>> *Selectați o temperatură mai ridicată a frigiderului și verificați din nou.*

### **Alimentele din sertarele frigiderului îngheață.**

- Ați selectat o temperatură foarte joasă a frigiderului. >>> *Selectați o temperatură mai ridicată a congelatorului și verificați din nou.*

### **Temperatura din frigider sau congelator este foarte mare.**

- Ați selectat o temperatură foarte mare a frigiderului. >>> *Temperatura setată pentru frigider afectează temperatura congelatorului. Modificați temperatura frigiderului sau congelatorului până când temperatura din frigider sau congelator ajunge la un nivel adecvat.*
- Este posibil ca ușile să fi fost deschise frecvent sau lăsate întredeschise mai mult timp. >>> *Deschideți mai rar ușile.*
- Este posibil ca ușa să fie întredeschisă. >>> *Închideți complet ușa.*
- Este posibil ca frigiderul să fi fost conectat recent la priză sau să fi fost umplut recent cu alimente. >>> *Acest lucru este normal. Dacă frigiderul a fost conectat recent la priză sau a fost umplut cu alimente, va dura mai mult până frigiderul va atinge temperatura setată.*
- Este posibil ca în frigider să fi fost introduse recent cantități mari de alimente calde. >>> *Nu introduceți alimente calde în frigider.*

### **Vibrații sau zgomot.**

- Podeaua este denivelată sau instabilă. >>> *Dacă frigiderul se clatină când este împins ușor, reglați picioarele pentru a echilibra frigiderul. De asemenea, asigurați-vă că podeaua este suficient de stabilă și poate susține frigiderul.*
- Zgomotul poate fi provocat de obiectele amplasate pe frigider. >>> *Aceste obiecte trebuie îndepărtate de pe frigider.*

## Depanare

### Frigiderul emite zgomote asemănătoare curgerii sau pulverizării lichidelor etc.

- Funcționarea frigiderului se bazează pe circulația gazelor și lichidelor. >>> *Acesta este un fenomen normal și nu reprezintă o defecțiune.*

### Frigiderul emite un zgomot similar cu șuieratul vântului.

- Frigiderul este prevăzut cu un ventilator pentru răcire. Acesta este un fenomen normal și nu reprezintă o defecțiune.

### Condens pe pereții interiori ai frigiderului.

- Mediile calde și umede favorizează formarea gheții și condensului. Acesta este un fenomen normal și nu reprezintă o defecțiune.
- Este posibil ca ușile să fi fost deschise frecvent sau lăsate întredeschise mai mult timp. >>> *Deschideți mai rar ușile; dacă ușa este deschisă, închideți-o.*
- Este posibil ca ușa să fie întredeschisă. >>> *Închideți complet ușa.*

### Condens în exteriorul frigiderului sau între uși.

- Este posibil ca mediul să fie umed. Acest fenomen este normal în medii umede. >>> *La reducerea umidității, condensul va dispărea.*

### Mirosuri neplăcute în frigider.

- Frigiderul nu este curățat periodic. >>> *Curățați periodic interiorul frigiderului folosind un burete, apă caldă și carbonată.*
- Este posibil ca mirosul să fie cauzat de anumite recipiente și ambalaje. >>> *Folosiți un recipient sau un ambalaj care nu prezintă mirosuri neplăcute.*
- Alimentele au fost puse în recipiente deschise. >>> *Păstrați alimentele în recipiente închise. Alimentele neetanșate corespunzător pot răspândi microorganisme și se pot acumula mirosuri neplăcute.*
- Aruncați toate alimentele expirate sau alterate din frigider.

### Ușa nu se închide.

- Este posibil ca alimentele să împiedice închiderea ușii. >>> *Mutați alimentele care împiedică închiderea ușii.*
- Este posibil ca frigiderul să fie înclinat. >>> *Reglați picioarele de pentru a echilibra frigiderul.*
- Podeaua este denivelată sau instabilă. >>> *Asigurați-vă că podeaua este plană și suficient de stabilă pentru a putea susține frigiderul.*

### Compartimentul pentru legume este blocat.

- Este posibil ca alimentele să atingă partea superioară a sertarului. >>> *Rearanjați alimentele în sertar.*

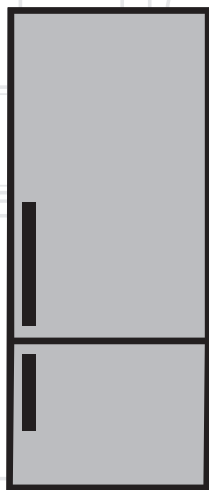


**AVERTISMENT:** Dacă problema persistă după ce ați urmat instrucțiunile din acest capitol, contactați distribuitorul dvs. sau un centru de service autorizat. Nu încercați să reparați produsul.



# Lednice

Návod k použití



CZ |

**beko**

## Před použitím produktu si pozorně přečtěte tento návod k obsluze.

Vážení zákazníci,

Chceme Vám poskytnout možnost nejlepšího použití našeho výrobku, který byl vyroben v moderních zařízeních s péčí a důkladnou kontrolou kvality.

Také, před použitím výrobku Vám doporučujeme přečíst si celý návod k použití. V případě odprodeje výrobku, nepameneňte předat návod jeho novému majiteli společně s výrobkem.

## Tato příručka vám pomůže abyste mohli výrobek používat rychle a bezpečně.

- Před instalací a použitím výrobku si prosím pozorně přečtěte uživatelskou příručku.
- Vždy dodržujte platné bezpečnostní předpisy.
- Mějte uživatelskou příručku v dosahu pro budoucí použití.
- Přečtěte si prosím všechny další dokumenty dodané s výrobkem.

Nezapomínejte, že tato Uživatelská příručka se může vztahovat na několik modelů výrobků. Příručka jasně ukáže všechny variace různých modelů.

	Důležité informace a užitečné tipy.
	Ohrožení života a majetku.
	Riziko zranění elektrickým proudem
	Obal tohoto výrobku je vyroben z recyklovatelných materiálů, v souladu s Národní legislativou pro životní prostředí.

<b>1. Bezpečnostní pokyny a životní prostředí</b>	<b>3</b>	5.11. Držák na vajíčka . . . . .	25
1.1. Všeobecná bezpečnost . . . . .	3	5.12. Ventilátor . . . . .	25
1.1.1 Varování HC . . . . .	4	5.13. Zásobník na zeleninu . . . . .	25
1.1.2 Pro modely s dávkovačem vody . . . . .	5	5.14. Oddělení Nulového stupně . . . . .	25
1.2. Účel použití . . . . .	5	5.15. Pohyblivý stojan ve dveřích . . . . .	26
1.3. Bezpečnost dětí . . . . .	5	5.16. Posuvná odkládací schránka . . . . .	26
1.4. Soulad se směrnicí WEEE a Odstranění odpadů výrobku . . . . .	5	5.17. Použití druhého prostoru pro zeleninu a ovoce; . . . . .	27
1.5. Soulad se směrnicí RoHS. . . . .	5	5.18. Pohlcovač pachů . . . . .	28
1.6. Informace o balení. . . . .	6	5.19. Zásobník na zeleninu s kontrolou vlhkosti . . . . .	29
<b>2 Vaše lednička</b>	<b>7</b>	5.20. Automatický výrobek ledu . . . . .	29
<b>3 Instalace</b>	<b>8</b>	5.21. Icematic a držák na skladování ledu . . . . .	30
3.1. Správné místo pro instalaci . . . . .	8	5.22. Použití dávkovače vody. . . . .	30
3.2. Připojení plastových klínů. . . . .	8	5.23. Plnění nádrže dávkovače na vodu . . . . .	31
3.3. Nastavení stojanů . . . . .	8	5.24. Čištění nádrže na vodu . . . . .	32
3.4. Připojení napájení . . . . .	9	5.25. Odkapávací zásobník . . . . .	33
3.5. Obrácení dveří. . . . .	10	5.26. HerbBox/HerbFresh . . . . .	33
3.6. Obrácení dveří. . . . .	11	5.27. Zmrazování čerstvých potravin . . . . .	34
<b>4 Příprava</b>	<b>12</b>	5.28. Doporučení pro skladování zmrazených potravin. . . . .	34
4.1. Co udělat pro úsporu energie. . . . .	12	5.29. Podrobnosti o mrazničce . . . . .	35
4.2. První uvedení do provozu. . . . .	12	5.30. Umístění jídla. . . . .	35
<b>5 Tlačítko pro Nastavení teploty</b>	<b>13</b>	5.31. Upozornění na otevřené dveře. . . . .	35
5.1. Tlačítko pro Nastavení teploty . . . . .	13	5.32. Změna směru otevírání dveří . . . . .	35
5.2. Rychlé zmrazování . . . . .	13	5.33. Vnitřní osvětlení . . . . .	35
5.3. Funkce Dovolena. . . . .	14	<b>6 Údržba a čištění</b>	<b>36</b>
5.4. Tlačítko nastavení termostatu . . . . .	14	6.1. Zabránění vzniku nepříjemných pachů . . . . .	36
5.5. Tlačítko nastavení termostatu . . . . .	14	6.2. Ochrana plastových povrchů . . . . .	36
5.6. Odmrazování. . . . .	15	6.3. Dveřní skla . . . . .	36
5.7. Panel indikátorů . . . . .	16	<b>7 Řešení problémů</b>	<b>37</b>
5.8. Indikační panel . . . . .	17		
5.9. Indikační panel . . . . .	19		
5.10. Zásobník na led . . . . .	25		

# 1. Bezpečnostní pokyny a životní prostředí

Tato část obsahuje bezpečnostní pokyny nezbytné pro zabránění nebezpečí zranění a materiálních škod. Nedodržení těchto pokynů zanikají všechny typy záruky výrobku.

## Určené použití



### UPOZORNĚNÍ:

V případě, že je zařízení v ochranné fázi nebo umísteno, ujistěte se, zda nejsou odvětrávací dírký uzavřeny.

### UPOZORNĚNÍ:

Za účelem urychlení rozpouštění ledu nepoužívejte žádné jiné mechanické zařízení nebo jiný přístroj než ty jež byly doporučeny výrobcem.

### UPOZORNĚNÍ:

Pokud je chladidlo v provozu, nezasahujte do jeho obvodu.

### UPOZORNĚNÍ:

Uvnitř skladovacích prostor jídla přístroje nepoužívejte jiná elektrická zařízení než ta, která byla doporučena výrobcem.

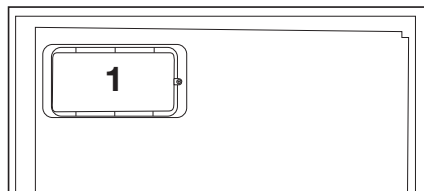
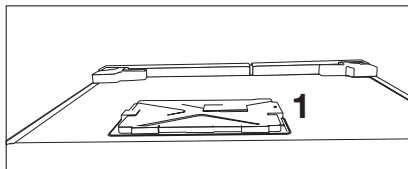
Toto zařízení bylo navrženo pro použití v domácnosti nebo pro níže uvedené aplikování.

- V kuchyních personálu obchodů, kanceláří a jiných pracovních míst;
- Za účelem použití návštěvníky farem a hotelů, motelů a jiných míst s ubytováním.
- V prostorách typu penzionů
- V podobných zařízeních, která nejsou stravovacími službami nebo maloobchodem.

## 1.1. Všeobecná bezpečnost

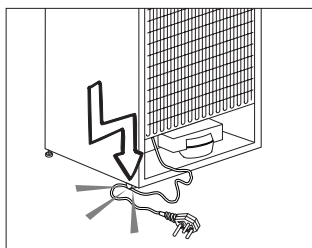
- Tento produkt by neměly používat osoby s tělesným, smyslovým a mentálním postižením, osoby bez dostatečných znalostí a zkušeností, nebo děti. Zařízení mohou tyto osoby používat jen pod dohledem a po poučení osobou odpovědnou za jejich bezpečnost. Nedovolte dětem hrát si s tímto zařízením.
- V případě poruchy přístroj odpojte.
- Po odpojení počkejte nejméně 5 minut před opětovným připojením. Odpojte výrobek, když se nepoužívá. Nedotýkejte se zástrčky mokřma rukama! Při odpojování netahejte za kabel, vždy uchopte zástrčku.
- Před zasunutím dovnitř otřete hrot síťové zástrčky suchým hadříkem.
- Nezapojujte ledničku, pokud je zásuvka uvolněná.
- Při instalaci, údržbě, čištění a opravách odpojte výrobek.
- Pokud se výrobek nebude delší dobu používat, odpojte jej a vyjměte potraviny.
- Nepoužívejte páru nebo čisticí prostředky s párou pro čištění chladničky a tání ledu uvnitř. Pára může přijít do styku s elektrifikovanými oblastmi a způsobit zkrat nebo elektrický šok!
- Nemyjte výrobek stříkáním nebo poléváním vodou na něj! Nebezpečí úrazu elektrickým proudem!
- Nikdy nepoužívejte výrobek, pokud část nacházející se na horní nebo zadní straně výrobku s elektronickou deskou s plošným spojem uvnitř je otevřená (krycí deska elektronických plošných spojů) (1).

## Bezpečnostní pokyny a životní prostředí



- V případě jeho poruchy výrobek nepoužívejte, protože by mohlo dojít k úrazu elektrickým proudem. Před tím, než cokoliv uděláte, se obraťte na autorizovaný servis.
- Výrobek zapojte do uzemněné zásuvky. Uzemnění musí být provedeno kvalifikovaným elektrikářem.
- Pokud produkt má osvětlení typu LED, pro jeho nahrazení nebo v případě jakéhokoliv problému se obraťte na autorizovaný servis.
- Nedotýkejte se mražených potravin mokřými rukama! Mohou se nalepit na Vaše ruce!
- Nepokládejte do mrazničky tekutiny v lahvích a plechovkách. Mohou vybuchnout!
- Tekutiny umístěte ve vzpřímené poloze a pevně uzavřete jejich víko.
- Nestříkejte hořlavé látky v blízkosti výrobku, protože se může zapálit nebo explodovat.
- Nenechávejte hořlavé materiály a produkty s hořlavým plynem (spreje, atd.) v chladničce.

- Nepokládejte nádoby obsahující kapaliny na horní část výrobku. Voda stříkající na elektrifikované části může způsobit úraz elektrickým proudem a nebezpečí požáru.
- Vystavení produktu dešti, sněhu, slunci a větru může způsobit elektrické nebezpečí. Při přemísťování výrobku jej netahejte držením za rukojeť dveří. Rukojeť se může odtrhnout.
- Dbejte na to, aby nedošlo k zachycení jakékoliv části vašich rukou či těla do jakýchkoli z pohybujících se částí uvnitř výrobku.
- Nevylézte nebo se neopírejte o dveře, zásuvky a podobné části chladničky. Může to mít za následek pád výrobku a způsobit poškození dílů.
- Dávejte pozor, aby nedošlo k přivření napájecího kabelu.



### 1.1.1 Varování HC

Jestliže výrobek obsahuje chladicí systém ve kterém se používá plyn R600a, zajistěte, aby při používání a pohybování spotřebiče nedošlo k poškození chladicího systému a jeho potrubí. Tento plyn je hořlavý. Pokud je chladicí systém poškozen, zajistěte, aby bylo zařízení mimo dosah zdrojů ohně a okamžitě vyvětrejte místnost.

# Bezpečnostní pokyny a životní prostředí



Štítek na vnitřní levé straně označuje druh plynu používaného v produktu.

## 1.1.2 Pro modely s dávkovačem vody

- Tlak pro přívod studené vody musí být maximálně 90 psi (620 kPa). Pokud je váš tlak vody vyšší než 80 psi (550 kPa), použijte ve vaší síti ventil na omezování tlaku. Pokud nevíte, jak zkontrolovat tlak vody, požádejte o pomoc profesionálního instalátéra.
- Pokud při instalaci existuje riziko vodního rázu, vždy použijte preventivně zařízení proti vodnímu rázu. Pokud jste si není jistý, zda ve Vaší síti je efekt vodního rázu, poradte se s profesionálním instalátérem.
- Neinstalujte na přívodu pro teplou vodu. Provedte nezbytná opatření proti riziku zamrznutí hadic. Provozní interval teplota vody musí být mezi minimálně 33 ° F (0,6 ° C) a maximálně 100 ° F (38 ° C).
- Používejte pouze pitnou vodu.

## 1.2. Účel použití

- Tento výrobek je určen pro domácí použití. Není určen pro komerční použití.
- Spotřebič by měl být používán pouze pro skladování potravin a nápojů.
- Do chladničky neukládejte citlivé produkty, které vyžadují řízené teploty (očkovací látky, léky citlivé na teplo, zdravotnický materiál, atd.).

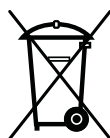
- Výrobce nenesе žádnou zodpovědnost za případné škody způsobené nesprávným použitím nebo nesprávnou manipulací.
- Životnost výrobku je 10 let. Náhradní díly potřebné pro funkčnost tohoto výrobku budou pro toto období k dispozici.

## 1.3. Bezpečnost dětí

- Obalové materiály uchovávejte mimo dosah dětí.
- Nedovolte dětem, aby se s výrobkem hrály.
- Pokud je na dveřích výrobku zámek, klíč držte mimo dosah dětí.

## 1.4. Soulad se směrnicí WEEE a Odstranění odpadů výrobku

Tento výrobek splňuje požadavky směrnice WEEE EU (2012/19/EU). Na tomto produktu je zobrazen symbol klasifikace odpadu elektrických a elektronických zařízení (OEEZ).



Tento výrobek byl vyroben z vysoce kvalitních materiálů a komponent, které lze opětovně použít a které jsou vhodné pro recyklaci. Na konci své životnosti spotřebič nevyhazujte spolu s běžnými domácími a jinými odpady. Odneste jej do sběrného centra pro recyklaci elektrických a elektronických zařízení. Pro informace o těchto sběrných střediskách se prosím obraťte na místní úřady.

## 1.5. Soulad se směrnicí RoHS

- Tento výrobek splňuje požadavky směrnice WEEE EU (2011/65/EU). Neobsahuje škodlivé a zakázané látky uvedené ve směrnici.

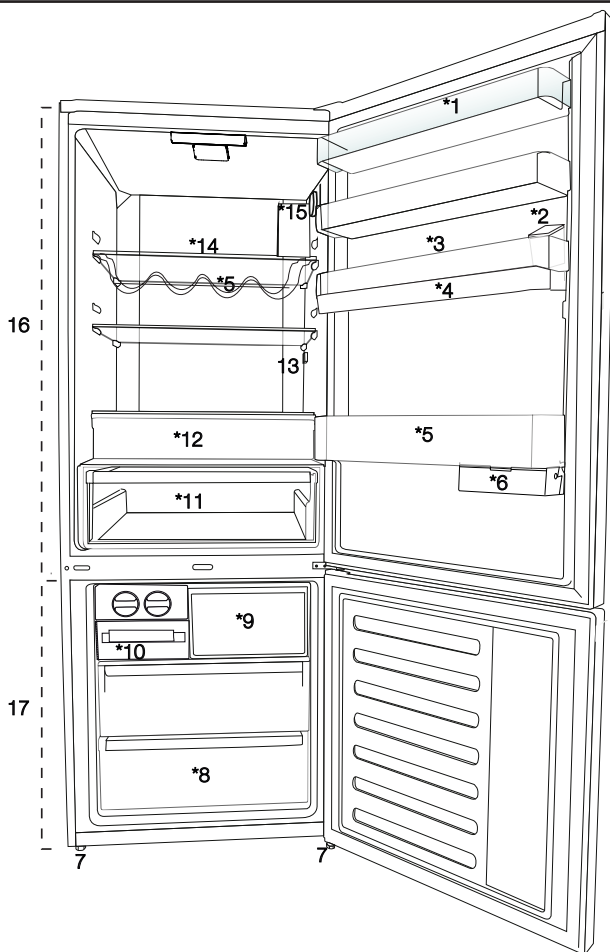
## Bezpečnostní pokyny a životní prostředí

---

### 1.6. Informace o balení

- Obalové materiály výrobku jsou vyrobeny z recyklovatelných materiálů v souladu s našimi národními předpisy o životním prostředí. Nevyhazujte obalové materiály spolu s domácími nebo jinými odpady. Vezměte je do sběrných míst pro obalové materiály určené místními orgány.

## 2 Vaše lednička



1. Police v dveřích chladicí části
2. Plnicí nádrž dávkovače vody
3. Část pro vajíčka
4. Zásobník dávkovače vody
5. Police pro láhve
6. Posuvná odkládací schránka
7. Nastavitelné nohy
8. Oddíl mrazničky
9. Část rychlého mražení
10. Zásobník na ledové kostky a akumulovaný led
11. Zásobník na zeleninu
12. Oddělení Nulového stupně
13. Vnitřní osvětlení
14. Skleněná police v chladicí části
15. Tlačítko pro Nastavení teploty
16. Chladicí prostor
17. Mrazicí prostor

**(U některých modelů nemusí být k dispozici)**



**\*volitelné:** Obrázky uvedené v této příručce jsou uváděny jako příklad a nemusí se přesně shodovat s Vaším produktem. Pokud váš výrobek neobsahuje příslušné části, tyto informace se vztahují na ostatní modely.



### 3.1. Správné místo pro instalaci

Pro instalaci výrobku se obraťte na autorizovaný servis. Pro přípravu produktu pro instalaci vyhledejte informace v uživatelské příručce a ujistěte se, že jsou k dispozici požadované elektrické a vodovodní nástroje. Pokud ne, pro uspořádání těchto nástrojů podle potřeby se obraťte na elektrikáře a vodoinstalatěři.



**VAROVÁNÍ:** Výrobce nenese žádnou odpovědnost za škodu způsobené prací vykonanou neoprávněnými osobami.



**VAROVÁNÍ:** V průběhu instalace musí být napájecí kabel tohoto výrobku odpojen. Pokud tak neučiníte, může to mít za následek smrt nebo vážné zranění!



**VAROVÁNÍ:** Pokud je rozpětí dveří příliš úzké pro přenesení výrobku, odmontujte dveře a otočte produkt na bok, pokud to nefunguje, obraťte se na autorizovaný servis.

- Pro zabránění vibracím umístěte výrobek na rovný povrch.
- Umístěte výrobek alespoň 30 cm od radiátorů, kamen a podobných tepelných zdrojů a alespoň 5 cm od elektrických trub
- Nevystavujte výrobek přímému slunečnímu záření nebo jej neponechávejte ve vlhkém prostředí.
- Výrobek pro své efektivní fungování vyžaduje dostatečnou cirkulaci vzduchu.
- Pokud bude výrobek umístěn ve výklenku, nezapomeňte nechat nejméně 5 cm odstup mezi produktem, stropem a stěnami.
- Neinstalujte výrobek v prostředí s teplotami pod  $-5^{\circ}\text{C}$ .

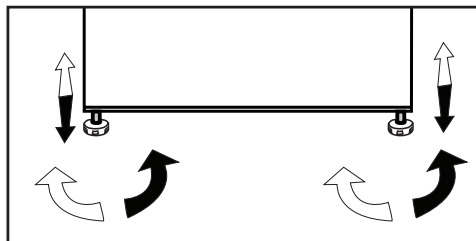
### 3.2. Připojení plastových klínů

Použijte plastové klíny dodané s produktem pro zajištění dostatečného prostoru pro cirkulaci vzduchu mezi výrobkem a stěnou.




1. Chcete-li připojit klíny, odstraňte šrouby na výrobku a použijte šrouby dodané s klíny.
2. Připevněte 2 plastové klíny na kryt větrání jako jsou zobrazeny na obrázku.

### 3.3. Nastavení stojanů


Pokud výrobek není v rovnovážné poloze, nastavte přední nastavitelné stojany jejich otáčením směrem doprava nebo doleva.



### 3.4. Připojení napájení

	<b>VAROVÁNÍ:</b> Pro napájení nepoužívejte rozšířené nebo sdružené zásuvky.
	<b>VAROVÁNÍ:</b> Poškozený napájecí kabel musí být vyměněn autorizovaným servisem.
	Při umístění dvou chladniček v přilehlé pozici, mezi dvěma jednotkami nechejte vzdálenost nejméně 4 cm.

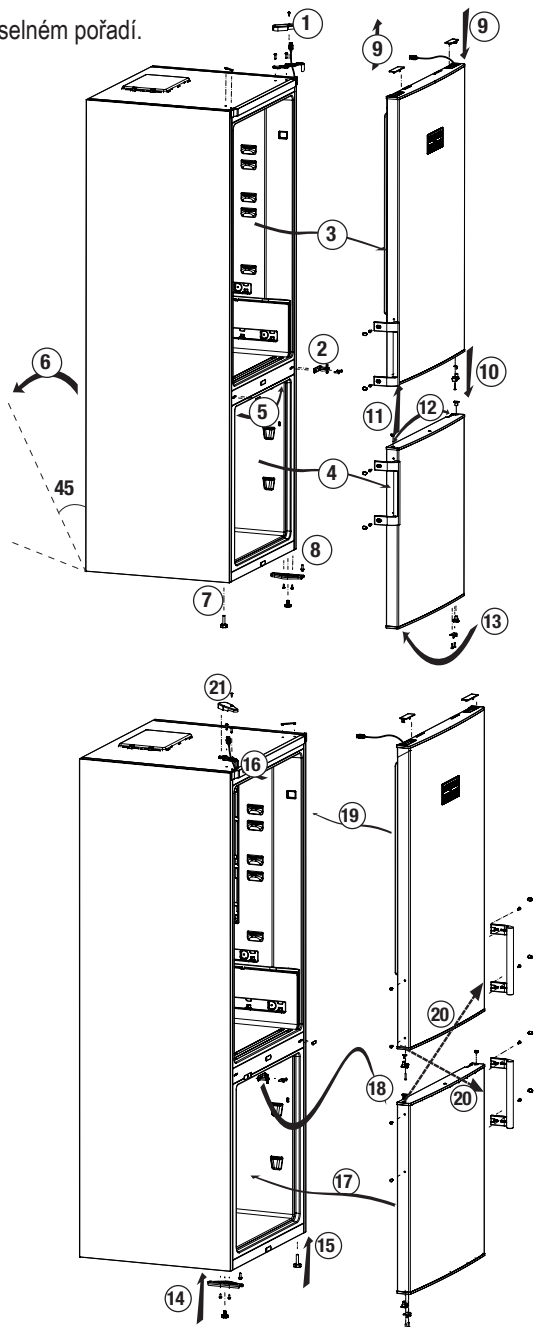
- Naše společnost nenese zodpovědnost za případné škody vzniklé v důsledku použití bez uzemnění a připojení napájení v nesouladu s vnitrostátními předpisy.
- Zásuvka napájecího kabelu musí být snadno přístupná i po instalaci.
- Mezi zásuvkou a ledničkou nepoužívejte rozdvojku nebo prodlužovací kabel.

	Výstraha před horkým povrchem Boční stěny vašeho produktu jsou vybaveny potrubím s chladivem pro zlepšení chladicího systému. Přes tyto oblasti může proudit chladivo s vysokými teplotami, což vede k horkým povrchům bočních stěn. To je normální a nepotřebuje žádnou opravu. Dbejte na to, když se dotýkáte těchto oblastí.
---	--

## Instalace

### 3.5. Obrácení dveří

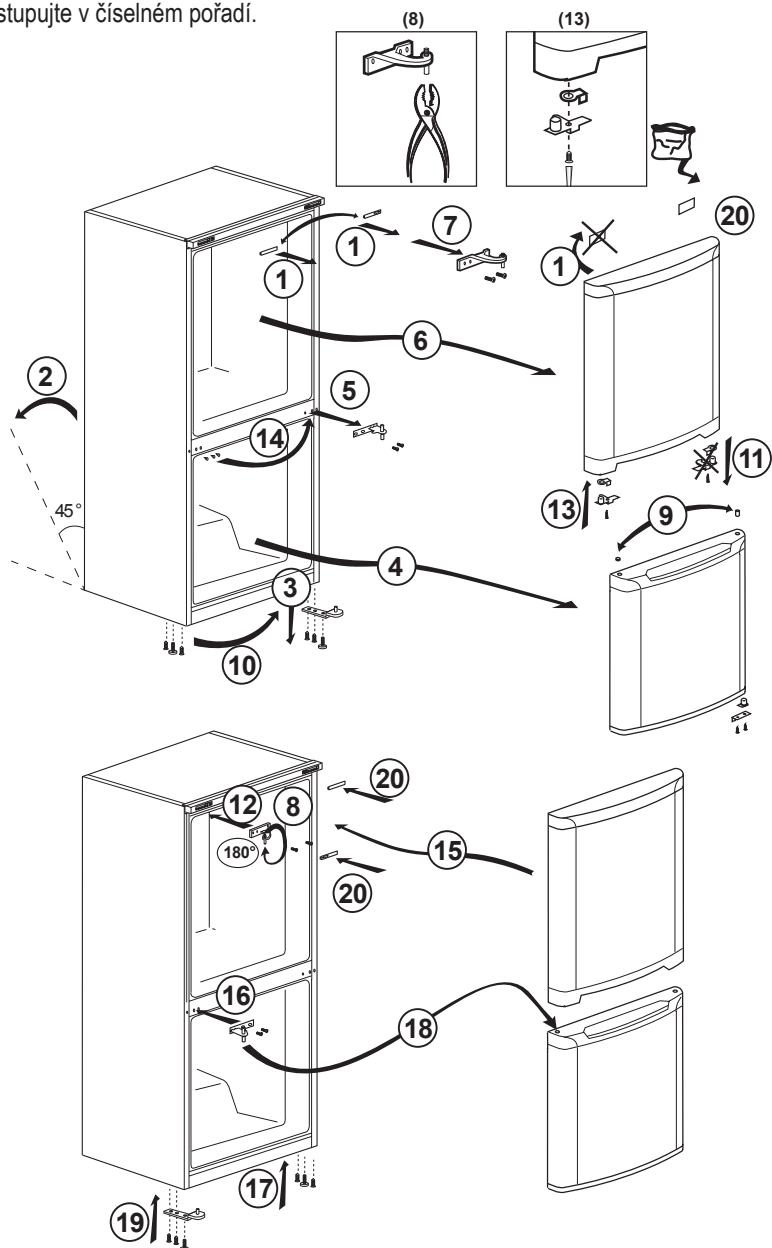
Postupujte v číselném pořadí.



## Instalace

### 3.6. Obrácení dveří

Postupujte v číselném pořadí.



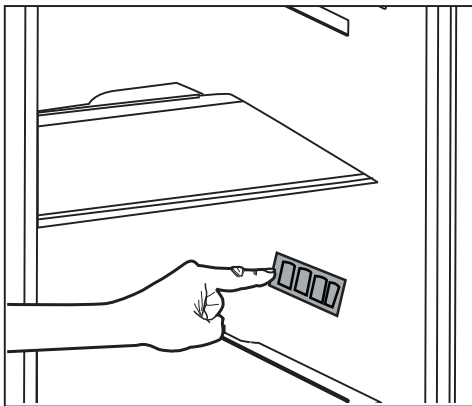
### 4.1. Co udělat pro úsporu energie



Připojení výrobku k elektronickým systémům pro úsporu energie je škodlivé, protože může dojít k poškození výrobku.

- Nenechávejte dveře chladničky otevřeny po delší dobu.
- Nevkládejte do chladničky horké potraviny nebo nápoje.
- Nepřepřehávejte chladničku; blokování vnitřního toku vzduchu sníží chladicí kapacitu.
- Abyste mohli uchovávat maximální množství potravin v chladnějším prostoru vaší ledničky, vyberte horní zásuvku a položte ji na skleněnou polici. Deklarovaná spotřeba energie chladničky byla určena po vyjmutí chladiče, zásobníku na led a horní zásuvky, což umožní vytvořit maximální skladovací prostor. Při skladování důrazně doporučujeme použití spodní zásuvky. Nejlepší spotřeba energie aktivujte funkci úspory energie.
- Neblokujte proudění vzduchu tím, že umístíte jídlo před ventilátor chladiče. Při umístění potravin je třeba zajistit minimálně 3 cm prostor před ochrannými mřížemi ventilátoru.
- V závislosti na funkcích tohoto výrobku; rozmrazování zmrazených potravin v chladnějším prostoru zajistí úsporu energie a zachování kvality potravin.
- Jídlo ukládejte pomocí použití zásuvek v chladicím prostoru, s cílem zajištění úspory energie a ochrany potravin v lepších podmínkách.
- Balíky potravin nesmí být v přímém kontaktu s čidlem tepla, nacházejícího se v chladicím prostoru. V případě pokud se dotýkají čidla, může se zvýšit spotřeba energie zařízení.

- Ujistěte se, že potraviny nejsou v kontaktu s čidlem teploty prostoru chladničky popsáného níže.



### 4.2. První uvedení do provozu

Před použitím chladničky se ujistěte, že byly provedeny všechny nezbytné přípravy v souladu s pokyny uvedenými v kapitolách “Bezpečnostní pokyny a životní prostředí” a “Instalace”.

- Nechte výrobek běžet bez jídla v jeho nitru po dobu 6 hodin a neotvírejte dveře, pokud to není nezbytně nutné.



Když se kompresor zapne, uslyšíte zvuk. Je normální slyšet zvuk, i když kompresor není aktivní, v důsledku stlačené kapaliny a plynu v chladicím systému.



Přední hrany produktu se mohou zahřát. To je normální. Tyto oblasti jsou navrženy tak, aby se zahřály, s cílem zabránění kondenzace.



U některých modelů se panel indikátoru automaticky vypne po 5 minutách po zavření dveří. Znovu se aktivuje když se dveře otevřou nebo po stisknutí tlačítka.

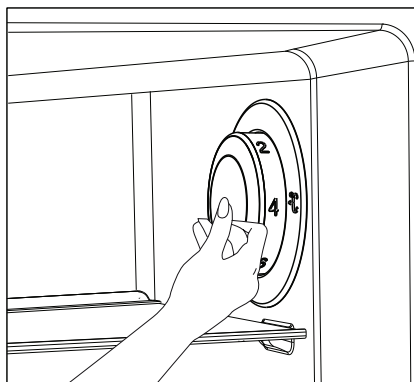
### 5.1. Tlačítko pro Nastavení teploty

Vnitřní teplota chladničky se může měnit z následujících důvodů:

- Sezónní teploty,
- Časté otevírání dveří a ponechání jejích v otevřeném stavu po delší dobu.
- Uložení jídel do chladničky bez jejich vychladnutí na pokojovou teplotu.
- Umístění chladničky v místnosti (např. vystavení slunečnímu záření).
- Vnitřní změnu teploty v důsledku těchto faktorů lze upravit pomocí tlačítka pro nastavení.

Čísla kolem tlačítka pro nastavení uvádějí teplotní stupně v "°C".

Pokud je okolní teplota 20 °C, doporučujeme používat nastavení teploty chladničky na teplotu 4 °C. V případě jiných teplotách je možné tuto hodnotu přizpůsobit.

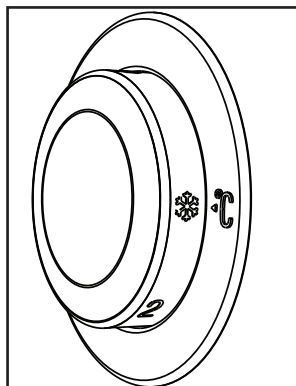


### 5.2. Rychlé zmrazování

Chcete-li zmrazit velké množství čerstvých potravin, před uložením potravin do rychlého mrazicího boxu přepněte tlačítko pro nastavení teploty (❄️).

Doporučuje se ponechat tlačítko v této poloze po dobu 24 hodin pro zmrazení maximálního množství potravin, které je uvedeno jako kapacita mrazení. Věnujte pozornost tomu, abyste při skladování vzájemně nemísily mražené a čerstvé potraviny.

Nezapomeňte přepnout tlačítko pro nastavení teploty zpět do původní polohy.

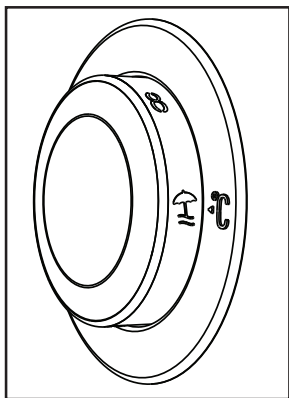


## Tlačítko pro Nastavení teploty

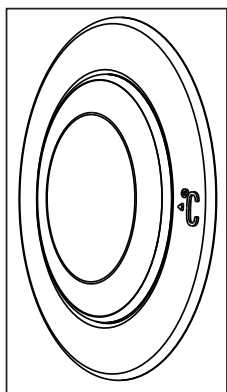
### 5.3. Funkce Dovolená

Pokud se dveře výrobku (↑) neotevrou po dobu nejméně 12 hodin po nastavení tlačítka nastavení teploty na nejvyšší hodnotu, automaticky se aktivuje funkce Dovolená. Pro zrušení funkce je třeba změnit nastavení tlačítek.

Když je aktivována funkce Dovolená, nedoporučuje se skladovat potraviny v chladicím prostoru.

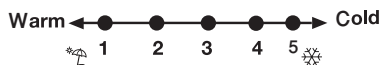


- Po dokončení nastavení lze ukrytí tlačítka nastavení teploty jeho stiskem dovnitř.



### 5.4. Tlačítko nastavení termostatu

Provozní teplota je regulována ovládáním teploty.



1 = Nastavení nejnižšího chlazení (Nejteplejší nastavení).

4 = Nastavení nejvyššího chlazení (Nejchladnější nastavení).

Průměrná teplota v prostoru chladničky by měla být zhruba +5 °C.

Zvolte nastavení podle požadované teploty. Povšimněte si, že v chladicím prostoru bude různá teplota.

Nejchladnější místo je hned nad prostorem na zeleninu.

Vnitřní teplota také závisí na teplotě prostředí, frekvenci otvírání dveří a množství jídla uvnitř. Častým otevíráním dveří teplota uvnitř stoupne.

Z tohoto důvodu doporučujeme zavírat dvířka co nejrychleji po jejich otevření.

### 5.5. Tlačítko nastavení termostatu

Vnitřní teplota chladničky se mění z následujících důvodů:

- sezónní teploty,
- časté otvírání dveří a ponechání otevřených dveří po delší dobu,
- vložení do chladničky jídla, které nevychladlo předem na pokojovou teplotu,
- místo chladničky v pokoji (např. vystavení slunečnímu světlu).
- Pomocí termostatu můžete upravovat měnící se teplotu uvnitř chladničky vzhledem k těmto příčinám. Čísla kolem tlačítka termostatu označují stupně chlazení.

## Tlačítko pro Nastavení teploty

- Je-li okolní teplota vyšší než 32°C, otočte tlačítko termostatu do maximální polohy.
- Je-li okolní teplota nižší než 25°C, otočte tlačítko termostatu do minimální polohy.

## 5.6. Odmrazování

### Prostor chladničky

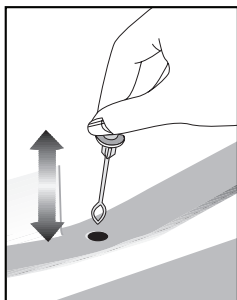
V prostoru chladničky dochází k plně automatickému odmrazení. Kapky vody a námraza do síly 7 – 8 mm se mohou objevit na zadní stěně chladničky, když se chladnička ochlazuje. Tyto jevy jsou normálním důsledkem fungování systému chlazení. Námraza se uvolní automaticky v určitých intervalech díky automatickému odmrazení na zadní stěně. Uživatel nemusí odškrabávat námrazu nebo stírat kapky vody.

Voda po odmrazení stéká do drážky pro sběr vody a teče do výparníku odvodňovací trubící, kde se sama vypařuje.

Prostor hlubokého mrazení se automaticky neodmrazuje, aby nedošlo ke snížení kvality zmražených potravin.

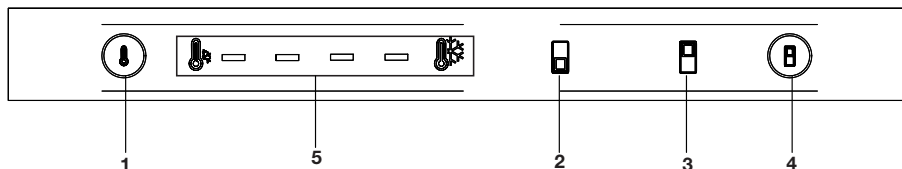
Prostor mrazničky se odmrazuje automaticky.

Pravidelně kontrolujte, zda odvodňovací trubice není ucpaná a v případě potřeby ji očistěte pomocí tyčky v otvoru .





### 5.7. Panel indikátorů



- 1.** Tlačítko pro změnu hodnoty chlazení: Používá se k nastavení hodnoty chlazení chladničky a mrazničky. Stisknete-li toto tlačítko, když je rozsvícen indikátor mrazničky (2), změní se chlazení v mrazničce. Stisknete-li toto tlačítko, když je rozsvícen indikátor chladničky (3), změní se chlazení v chladničce.
- 2.** Indikátor prostoru mrazničky: Když je rozsvícen tento indikátor, stávající hodnota chlazení v prostoru mrazničky se zobrazí na indikátoru chlazení (5). Stisknutím tlačítka pro změnu hodnoty chlazení (1) můžete změnit hodnotu chlazení v prostoru mrazničky.
- 3.** Indikátor prostoru chladničky: Když je rozsvícen tento indikátor, stávající hodnota chlazení v prostoru chladničky se zobrazí na indikátoru chlazení (5). Stisknutím tlačítka pro změnu hodnoty chlazení (1) můžete změnit hodnotu chlazení v prostoru chladničky.
- 4.** Přepínač volby prostoru: Používá se pro přepínání mezi prostory chladničky a mrazničky.
- 5.** Indikátor chlazení: Zobrazuje se na něm hodnota chlazení zvoleného prostoru. Hodnota chlazení se zvětšuje zleva doprava.

**(U některých modelů nemusí být k dispozici)**



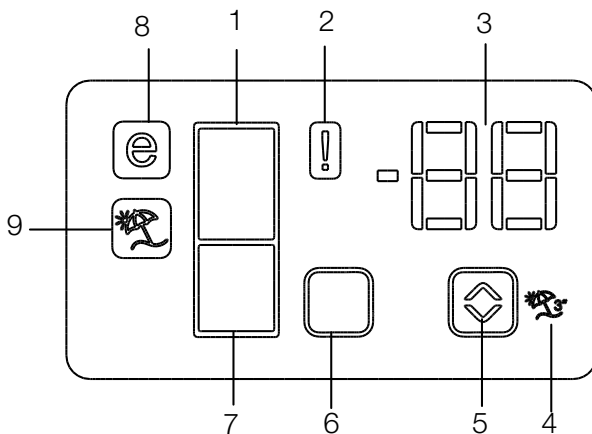
**\*Volitelně:** Údaje uvedené v této uživatelské příručce jsou určeny jako koncepty a nemusí být v dokonalém souladu s Vaším výrobkem. Pokud váš výrobek neobsahuje příslušné části, tyto informace se vztahují na ostatní modely.

## Tlačítko pro Nastavení teploty

### 5.8. Indikační panel

Indikační panely se mohou lišit v závislosti na typu modelu.

Při používání vašeho produktu vám pomohou audio - vizuální funkce, nacházející se na indikačním panelu.



1. Indikátor Chladicího prostoru
2. Indikátor poruchového stavu
3. Indikátor teploty
4. Tlačítko funkce Dovolená
5. Tlačítko pro Nastavení teploty
6. Tlačítko pro volbu Chladicího prostoru
7. Indikátor mrazícího prostoru
8. Indikátor Ekonomického režimu
9. Indikátor funkce Dovolená

**\*volitelné**



**\*Volitelně:** Údaje uvedené v této uživatelské příručce jsou určeny jako koncepty a nemusí být v dokonalém souladu s Vaším výrobkem. Pokud váš výrobek neobsahuje příslušné části, tyto informace se vztahují na ostatní modely.

## **Tlačítko pro Nastavení teploty**

### **1. Indikátor chladicího oddílu**

Při nastavování teploty chladicího prostoru bude světlo chladničky svítit.

### **2. Indikátor poruchového stavu**

Tento indikátor se aktivuje, pokud vaše lednička dostatečně nechladí nebo v případě poruchy čidla. Když je tento indikátor aktivován, na ukazateli teploty mrazničky se zobrazí písmeno "E" a na ukazateli teploty chladničky se zobrazí čísla, jako například "1,2,3 ...". Tato čísla na ukazateli slouží k informování servisního personálu o poruše.

### **3. Indikátor teploty**

Označuje teplotu mrazicího a chladicího prostoru.

### **4. Tlačítko funkce Dovolená**

Pro aktivaci této funkce stiskněte tlačítko Dovolená po dobu 3 sekund. Pokud je aktivována funkce Dovolená, na ukazateli teploty chladničky se zobrazí "- -" av části chladničky nebude aktivní chlazení. Když je tato funkce aktivní, nedoporučuje se skladovat potraviny v chladicím prostoru. Ostatní části budou nadále ochlazovat v souladu s jejich nastavenou teplotou.

Pro zrušení této funkce znovu stiskněte tlačítko Dovolená.

### **5. Tlačítko pro Nastavení teploty**

Mění teplotu příslušného prostoru mezi -24 °C ... -18 °C a 8 °C ... 1 °C.

### **6. Tlačítko pro volbu Chladicího prostoru**

Tlačítko pro volbu: Stiskněte tlačítko pro výběr prostoru pro přepínání mezi oddělením chladničky a mrazničky.

### **7. Indikátor mrazicího prostoru**

Při nastavování teploty mrazicího prostoru bude světlo chladničky svítit.

### **8. Indikátor Ekonomického režimu**

Signalizuje, že chladnička pracuje v úsporném režimu. Tento displej se aktivuje, pokud je teplota mrazničky nastavena na -18 °C.

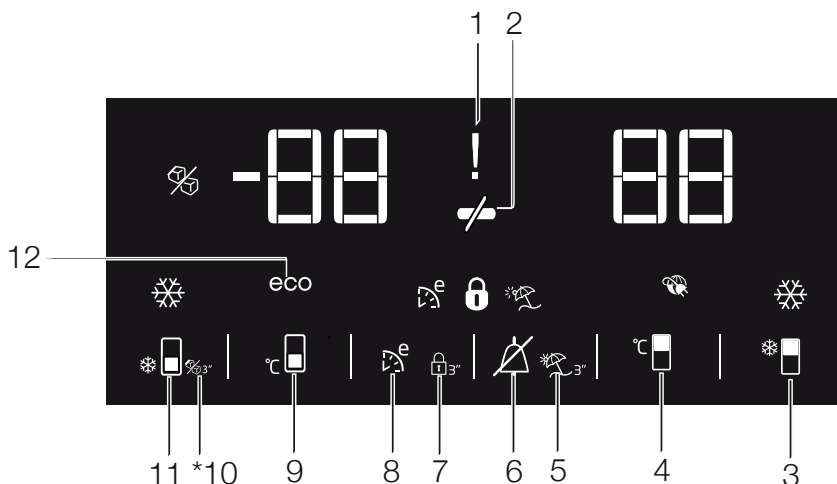
### **9. Indikátor funkce Dovolená**

Ukazuje, že je aktivována funkce Dovolená.

## Tlačítko pro Nastavení teploty

### 5.9. Indikační panel

Indikační panel umožňuje nastavit teplotu a ovládat další funkce produktu bez otevření dveří produktu. Pro nastavení funkcí stačí stisknout nápisy na příslušných tlačítkách.



#### 1. Indikátor výpadku proudu / vysoké teploty / poruchy

Tento indikátor (⚡) se rozsvítí při výpadku proudu, vysokoteplotních poruchách a při varování na poruchy. Na digitálním displeji bude blikat nejvyšší teplota, kterou mraznička dosáhla během trvalého výpadku napájení. Po kontrole potravin umístěných v mrazicí části (🍷), pro zrušení upozornění stiskněte tlačítko zrušení alarmu.

#### 2. Funkce úspory energie (vypnutý displej):

Pokud jsou dveře zavřené produktu dlouhou dobu, automaticky se aktivuje funkce úspory energie a rozsvítí se symbol úspory energie. (🌿)

Když je aktivována funkce úspory energie, vypnou se všechny symboly na displeji, kromě symbolu úspory energie. Pokud je aktivována funkce pro úsporu energie, pokud stisknete jakékoliv tlačítko nebo otevřete dveře, funkce úspory energie se zruší a symboly na displeji se vrátí do normálu. Funkce Úspora energie se aktivuje při expedici z výroby, a nemůže být zrušena.

#### 3. Funkce Rychlého chlazení

Toto tlačítko má dvě funkce. Chcete-li aktivovat nebo deaktivovat funkci rychlého chlazení stiskněte toto tlačítko krátce. Indikátor Rychlého chlazení se vypne a produkt se vrátí k normálnímu nastavení. (🔲)



**\*Volitelně:** Údaje uvedené v této uživatelské příručce jsou určeny jako koncepty a nemusí být v dokonalém souladu s Vašim výrobkem. Pokud váš výrobek neobsahuje příslušné části, tyto informace se vztahují na ostatní modely.

## Tlačítko pro Nastavení teploty



Funkci rychlého chlazení použijte, když chcete rychle ochladit potraviny umístěné v chladničce. Chcete-li ochladit velké množství čerstvých potravin, aktivujte tuto funkci před uložením potravin do produktu.



Pokud ji nezrušíte, rychlé chlazení se zruší automaticky po 8 hodinách nebo pokud teplota v chladicí části klesne na požadovanou teplotu.



Pokud opakovaně stisknete tlačítko rychlého chlazení s krátkými intervaly, aktivuje se ochrana elektronického obvodu a kompresor se nespustí okamžitě.



Když se obnoví dodávka energie po výpadku napájení, tato funkce se neobnoví.

### 4. Tlačítko nastavení teploty chladicí části

Opakovaně stiskněte toto tlačítko pro nastavení teploty chladničky na 8, 7,6, 5,4,3, 2, 8, .... Stiskněte toto tlačítko pro nastavení teploty v chladničce na požadovanou hodnotu. ( )

### 5. Funkce Dovolena

Aby bylo možné aktivovat funkci Dovolena, stiskněte toto tlačítko ( ) po dobu 3 sekund, a aktivuje se indikátor režimu Dovolena ( ). Pokud je aktivována funkce Dovolena, na ukazateli teploty chladničky se zobrazí "- -" av části chladničky nebude aktivní chlazení. Když je tato funkce aktivní, nedoporučuje se skladovat potraviny v chladicím prostoru. Ostatní části budou nadále ochlazovat v souladu s jejich nastavenou teplotou.

Pro zrušení této funkce znovu stiskněte tlačítko funkce Dovolena.

### 6. Zrušení alarmu:

V případě alarmu výpadku proudu / vysoké teploty, po kontrole potravin umístěných v mrazicí části ( ), pro zrušení upozornění stiskněte tlačítko zrušení alarmu.

### 7. Zámek tlačítek

Podržte tlačítko Zámku tlačítek ( ) souvisle po dobu 3 sekund. Rozsvítí se Symbol Zámku tlačítek

( ) A režim Zámku tlačítek se aktivuje. Pokud je režim Zámek tlačítek aktivní, tlačítka nebudou fungovat. Opět podržte tlačítko Zámku tlačítek ( ) souvisle po dobu 3 sekund. Symbol Zámku tlačítek se vypne a vypne se také režim zámku tlačítek.

Pokud chcete zabránit úpravám nastavení teploty v chladničce ( ), stiskněte tlačítko zámek tlačítek.

### 8. Eco Fuzzy

Stiskněte a podržte tlačítko Eco Fuzzy po dobu 1 sekundy pro aktivaci funkce Eco Fuzzy. Chladnička začne pracovat v nejpřísnějším ekonomickém režimu nejméně 6 hodin později a když je funkce aktivní, rozsvítí se indikátor ekonomického režimu ( ). Stiskněte a podržte tlačítko Eco Fuzzy po dobu 3 sekund pro deaktivaci funkce Eco Fuzzy.

Tento indikátor se rozsvítí po 6 hodinách, kdy bude funkce Eco Fuzzy aktivována.

### 9. Tlačítko nastavení teploty mrazicí části

Opakovaně stiskněte toto tlačítko pro nastavení teploty mrazničky na -18, -19, -20, -21, -22, -18, .... Stiskněte toto tlačítko pro nastavení teploty v mrazničce na požadovanou hodnotu. ( )

### 10. Indikátor vypnutí výrobce ledu Icematic

Označuje, zda je Výrobce ledu Icematic zapnutý nebo vypnutý. ( ) Pokud svítí,

## Tlačítko pro Nastavení teploty

výrobník ledu Icematic není v provozu. Pro opětovné spuštění výrobniku ledu Icematic stiskněte a podržte tlačítko zapnuto-vypnuto po dobu 3 sekundy.




Pokud je tato funkce zvolena, průtok vody z vodní nádrže se zastaví. Nicméně, led který byl vyroben dříve, je možné z výrobniku ledu Icematic vybrat.



Indikátor ekonomického použití se vypne, když je zvolena funkce rychlého chlazení nebo rychlého zmrazování.

### 11. Tlačítko Rychlého mrazení / tlačítko Vypnutí-Zapnutí výrobniku ledu Icematic

Stiskněte toto tlačítko pro aktivaci nebo deaktivaci funkce rychlého zmrazení. Při aktivaci této funkce se mrazničky ochladí na teplotu nižší, než je nastavená hodnota. 

Pro zapnutí a vypnutí výrobniku ledu Icematic ho stiskněte a podržte po dobu 3 sekund.



Funkci rychlého mrazení použijte, když chcete rychle zmrazit potraviny umístěny v mrazničce. Chcete-li zmrazit velké množství čerstvých potravin, aktivujte tuto funkci před uložením potravin do produktu.




Pokud ji nezrušíte, rychlé mrazení se zruší automaticky po 4 hodinách nebo pokud teplota v mrazničce klesne na požadovanou teplotu.

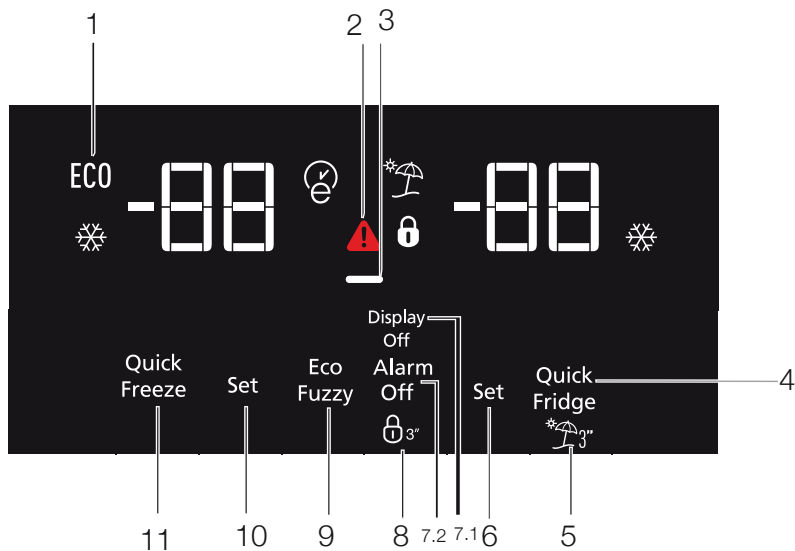


Když se obnoví dodávka energie po výpadku napájení, tato funkce se neobnoví.

### 12. Indikátor ekonomického využití

Označuje pokud produkt běží v režimu úspory energie.  Tento ukazatel bude aktivní, když je teplota mrazničky nastavena na -18 nebo je energeticky úsporné chlazení zapnuté prostřednictvím funkce Eco-Extra.

## Tlačítko pro Nastavení teploty



1. Ekonomické použití
2. Alarm Vysoká teplota/Závada
3. Funkce úspory energie (vypnutí displeje)
4. Rychlé chlazení
5. Funkce Dovolená
6. Nastavení teploty v prostoru chladničky
7. Úspora energie (vypnutí displeje)/ Vypnutí alarmu
8. Zámek tlačítek
9. Eco-fuzzy
10. Nastavení teploty v prostoru mrazničky
11. Rychlé mražení




**\*Volitelně:** Údaje uvedené v této uživatelské příručce jsou určeny jako koncepty a nemusí být v dokonalém souladu s Vaším výrobkem. Pokud váš výrobek neobsahuje příslušné části, tyto informace se vztahují na ostatní modely.

## Tlačítko pro Nastavení teploty

### 1. Ekonomické použití

Tato značka se rozsvítí je-li teplota v prostoru mrazničky nastavena na -18°C, nejúspornější nastavení. (ECO) Když je vybrána funkce rychlého chlazení nebo rychlého mrazení, kontrolka ekonomického použití zhasne.

### 2. Kontrolka Výpadek napájení/Vysoká teplota/Chyba

Tato kontrolka () se rozsvítí v případě selhání teploty nebo spuštění chybových alarmů.


Tato kontrolka se rozsvítí během výpadku napájení, při selhání při vysokých teplotách a upozornění na chybu. Během setrvalých výpadků napájení se nejvyšší teplota, které mraznička dosáhne, rozbliká na digitálním displeji. Po kontrole potravin v mrazničce stisknete tlačítko vypnutí alarmu a upozornění vymažete.

### 3. Funkce úspory energie (vypnutí displeje)

Jsou-li dveře produktu ponechány zavřené dlouhou dobu, automaticky se aktivuje funkce úspory energie a rozsvítí se příslušný symbol. Když je funkce úspora energie aktivní, všechny ostatní symboly na displeji zhasnou. Když je aktivována funkce úspory energie, pokud stisknete jakékoli tlačítko nebo otevřete dvířka, režim úspory energie se ukončí a ikony na displeji se vrátí do normálu.


Funkce úspory energie se aktivuje během doručení z továrny a nelze ji zrušit.

### 4. Rychlé chlazení

Když se zapne funkce rychlého chlazení, rozsvítí se kontrolka rychlého chlazení () a na kontrolce teploty v prostoru mrazničky se zobrazí hodnota 1. Dalším stiskem tlačítka rychlého chlazení tuto funkci zrušíte. Ukazatel rychlého chlazení zhasne a vrátí se na normální nastavení. Funkce rychlého chlazení se automaticky zruší po uplynutí 1 hodiny, není-

li zrušena uživatelem. Při chlazení velkého množství čerstvých potravin stisknete tlačítko rychlého chlazení ještě než potraviny do chladničky vložíte.

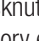


### 5. Funkce Dovolena

Pro aktivaci funkce Dovolena stisknete na 3 sekundy tlačítko rychlého chlazení; to aktivuje kontrolku režimu Dovolena (). Když se aktivuje funkce Dovolena, kontrolka teploty v prostoru chladničky zobrazí popis „--“ a v prostoru chlazení se neaktivuje žádný proces chlazení. Tato funkce není vhodná k uchovávání potravin v prostoru chladničky. Ostatní prostory zůstanou vychlazené na odpovídající nastavenou teplotu. Chcete-li tuto funkci zrušit, znovu stisknete tlačítko této funkce.

### 6. Nastavení teploty v prostoru chladničky

Po stisknutí tlačítka lze teplotu v prostoru chladničky nastavit na 8,7,6,5,4,3,2 a 1.

#### 7. 1 Úspora energie (vypnutí displeje)

Stisknutí tohoto tlačítka () rozsvítí značku úspory energie () a aktivuje se funkce úspory energie. Aktivace funkce úspory energie vypne všechny další značky na displeji. Je-li aktivní funkce úspory energie, stisknutí libovolného tlačítka nebo otevření dveří funkci úspory energie deaktivuje a signály na displeji se vrátí do normálního nastavení. Opakované stisknutí tohoto tlačítka () rozsvítí značku úspory energie a funkce úspory energie se deaktivuje.

#### 7.2 Vypnutí alarmu

V případě upozornění na výpadek napájení, vysokou teplotu, po kontrole potravin v mrazničce stisknete tlačítko vypnutí alarmu a varování vymažete.

### 8. Zámek tlačítek

Současně stisknete tlačítko vypnutí displeje, po dobu 3 sekund. Rozsvítí se značka zámku tlačítek a zámek tlačítek se aktivuje; tlačítka budou neaktivní do deaktivace zámku tlačítek.



## Tlačítko pro Nastavení teploty

Tlačítko vypnutí displeje znovu stiskněte po dobu 3 sekund. Značka zámku zhasne a režim zámku tlačítek bude deaktivovaný. Abyste předešli změně nastavení teploty chladničky, stiskněte tlačítko vypnutí displeje.

### 9. Eco-fuzzy

Chcete-li zapnout funkci Eco-fuzzy, na 1 sekundu stiskněte a přidržte tlačítko Eco-fuzzy. Je-li tato funkce aktivní, mraznička se přepne do úsporného režimu minimálně po 6 hodinách a rozsvítí se kontrolka ekonomického použití.

Chcete-li funkci Eco-fuzzy (E) deaktivovat, na 3 sekundy stiskněte a přidržte tlačítko funkce Eco-fuzzy.

Když je aktivovaná funkce Eco-fuzzy, kontrolka se rozsvítí po uplynutí 6 hodin.

### 10. Nastavení teploty v prostoru mrazničky

Teplota v prostoru mrazničky je nastavitelná. Stisknutí tlačítka aktivuje možnost nastavení teploty v prostoru mrazničky na -18, -19, -20, -21, -22, -23 a -24.

### 11. Rychlé mražení

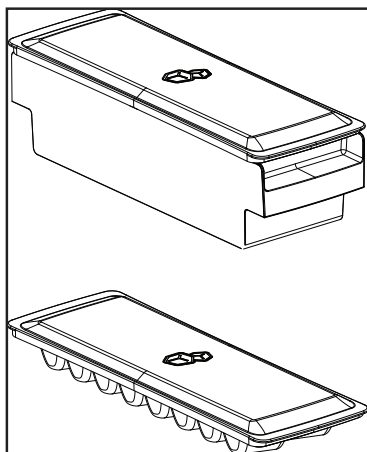
Rychlé mražení spustíte stisknutím tlačítka; potom se rozsvítí kontrolka rychlého mražení (XX).

Když se zapne funkce rychlého chlazení, rozsvítí se kontrolka rychlého mražení a na kontrolce teploty v prostoru mrazničky se zobrazí hodnota -27. Tuto funkci zrušíte opakovaným stisknutím tlačítka Rychlé mražení (XX). Ukazatel rychlého mražení zhasne a vrátí se na normální nastavení. Funkce rychlého mražení se automaticky zruší po uplynutí 24 hodin, není-li zrušena uživatelem. Při mražení velkého množství čerstvých potravin stiskněte tlačítko rychlého mražení ještě než potraviny do mrazničky vložíte.

### 5.10. Zásobník na led

(Volitelně)

- Vyberte ven nádobu na led z mrazáku.
- Naplňte nádobu na led vodou.
- Vložte nádobu na led do mrazničky.
- Led bude připraven asi po dvou hodinách. Vezměte nádobu na led z mrazáku a opatrně ji ohněte nad držákem, který budete podávat. Led snadno vypadne do servírovacího držáku.



### 5.11. Držák na vajíčka

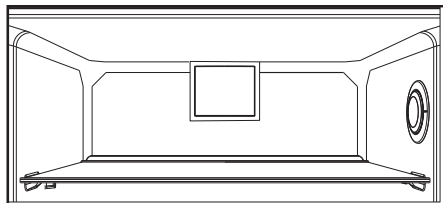
Držák na vajíčka můžete libovolně umístit na držák ve dveřích nebo v chladničce. Pokud jste se rozhodli dát ji na držák v lednici, doporučujeme, abyste použili níže police, nakolik jsou chladnější.



Nedávejte držák na vajíčka do mrazničky.

### 5.12. Ventilátor

Ventilátor byl navržen tak, aby zajistil cirkulaci chladného vzduchu uvnitř chladničky homogenní. Provozní doba ventilátoru se může lišit v závislosti na funkcích vašeho produktu.



### 5.13. Zásobník na zeleninu

(Volitelně)

Zásobník na zeleninu produktu je navržen tak, aby zelenina zůstala čerstvá při zachování své vlhkosti. Za tímto účelem je celková cirkulace chladného vzduchu v zásobníku na zeleninu intenzivnější.

### 5.14. Oddělení Nulového stupně

(Volitelně)

Use this compartment to keep delicatessen  
Použijte tento prostor pro udržení lahůdek nebo masných výrobků pro okamžitou spotřebu při nižších teplotách.

Oddělení Nulového stupně je nejlepší místo, kde mohou být uloženy v ideálních podmínkách skladování potraviny, jako jsou mléčné výrobky, maso, ryby a kuře. Neskladujte zeleninu a/nebo ovoce v tomto prostoru.

## Tlačítko pro Nastavení teploty

### 5.15. Pohyblivý stojan ve dveřích

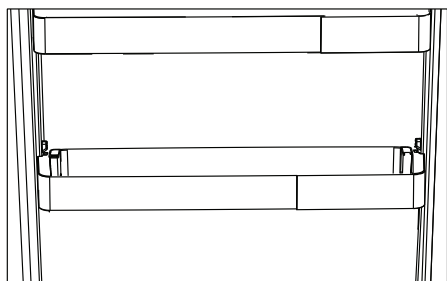
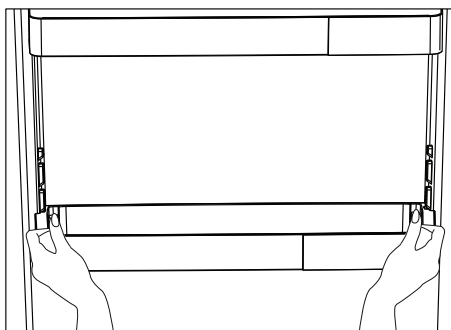
(Volitelně)

Pohyblivý stojan ve dveřích lze upevnit do 3 různých poloh.

Pro přesun stojanu, rovnoměrně stiskněte boční tlačítka. Se stojanem bude možné pohybovat.

Posuňte stojan směrem nahoru nebo dolů.

Když je stojan v požadované pozici, uvolněte tlačítka. Po uvolnění tlačítek bude stojan opět pevný na své pozici.

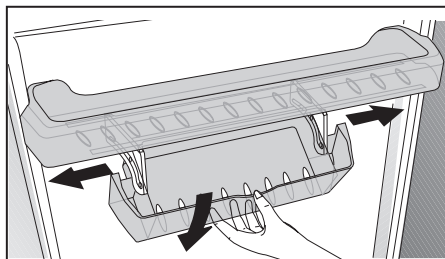


### 5.16. Posuvná odkládací schránka

(Volitelně)

Tento doplněk byl navržen pro zvýšení objemu využití dveřních stojanů.

Díky své schopnosti pohybování se do stran, vám umožní snadno umístit dlouhé lahve, sklenice nebo krabice, které jste vložili do poličky pro láhve níže.



## Tlačítko pro Nastavení teploty

### 5.17. Použití druhého prostoru pro zeleninu a ovoce;



**Obrázek 1.**

Jak je znázorněno na obrázku, u spotřebiče modelu K70560 druhý prostor pro zeleninu a ovoce je vybaven 2 zarážkami.



**Obrázek 2.**

Po uzavření druhý prostor pro zeleninu a ovoce vypadá, jak je znázorněno na obrázku 2.



**Obrázek 3.**

Otevřete dvířka do úhlu 90° a vytáhněte druhý prostor až po první zarážku, jak je znázorněno na obrázku 3.

V případě, že je zásuvka více otevřená, nejdřív zkuste otevřít dvířka do úhlu aspoň 135°.



Pak podle obrázku 4 nadzvedněte druhý prostor přibližně o 5 mm tak, aby se uvolnil z první zarážky.



**Obrázek 4.**

Po zvednutí vytáhněte druhý kontejner až po druhou zarážku, jak je znázorněno na obrázku 5.

**Obrázek 5.**

### 5.18. Pohlcovač pachů

**(FreshGuard)**

**(Volitelně)**

Deodorant rychle zápach ve vaší ledničce než stačí prostoupit na povrch. Díky tomuto deodorantu, který se umísťuje na vrchní část prostoru určený pro čerstvé potraviny, se zápach rozpustí a spolu se vzduch je aktivně přenesen do pachového filtru, poté je pročištěný vzduch opět vpuštěn zpět do prostoru pro čerstvé potraviny. Tímto způsobem jsou nechtěné pachy, které se mohou objevit v průběhu skladování potravin v ledničce, odstraněny dříve než prostoupí na povrch. Toho se dosáhne díky větráku, LED světla a zápachového filtru zabudovaného v deodorantu. V běžném provozu, se deodorant zapíná automaticky v pravidelných intervalech.

Chcete-li zachovat optimální výkon, je dobré si nechat zkontrolovat filtr v deodorantu autorizovaným poskytovatelem každých 5 let. Díky větráku zabudovaného v deodorantu je hluk, který uslyšíte během provozu, normální. Pokud otevřete dvířka prostoru pro čerstvé potraviny, když je deodorant zapnutý, větrák se automaticky přeruší a opět zapne jakmile dvířka zavřete. V případě přerušení dodávky proudu se deodorant opět automaticky zapne, v momentě kdy byl přerušen, jakmile je dodávka proudu obnovena.

**Informace:** Doporučuje se skladovat aromatické potraviny (jako sýry, olivy a další lahůdky) ve svých utěsněných obalech, aby se zabránilo zápachu, který může nastat zamícháním pachů různých potravin. Kromě toho, se také doporučuje rychle vyndat z ledničky zkažené potraviny, jejichž zápach může zkazit další potraviny a tím zamezit zápachu.

## Tlačítko pro Nastavení teploty

### 5.19. Zásobník na zeleninu s kontrolou vlhkosti

#### (Volitelně)

Pomocí funkce regulace vlhkosti je vlhkost zeleniny a ovoce pod kontrolou a zajistí se tím delší doba čerstvosti potravin.

Jak je to možné, doporučuje se skladovat listovou zeleninu, jako je hlávkový salát a špenát a podobné zeleniny, náchylné na ztrátu vlhkosti ne na svých kořenech, ale ve vodorovné poloze v zeleninovém koši.

Při umísťování zeleniny, uložte těžkou a tvrdou zeleninu na dno a lehkou a měkkou na vrchol, s přihlédnutím na specifické hmotnosti zeleniny.

Nenechávejte zeleninu na zásobníku v igelitových sáčcích. Ponechání v igelitových sáčcích způsobí, že zelenina shnije v krátké době. V situacích, kde kontakt s ostatní zeleninou není vhodný, použijte obalový materiál, jako je papír, který má určitou pórovitost v souladu s hygienou.

Nedávejte plody, které mají vysokou produkci plynu ethylenu, jako jsou hrušky, meruňky, broskve a zejména jablka do společného zeleninového zásobníku s jinou zeleninou a ovocem. Plyn etylen vycházející z těchto plodů může způsobit, že ostatní zelenina a ovoce budou zrát rychleji a začnou hnit v kratším časovém období.

### 5.20. Automatický výrobek ledu (Volitelně)

Automat led vám umožní snadno vytvořit led v chladničce. Za účelem získání led z výrobníku ledu, vyberte nádržku na vodu z chladicího prostoru, naplňte ji vodou a dejte ji zpět.

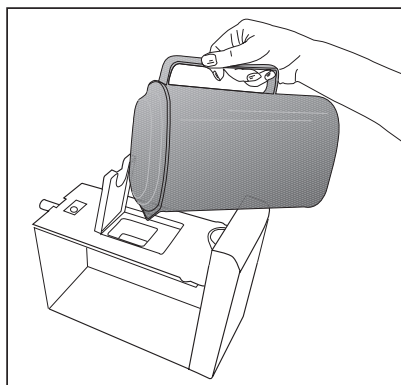
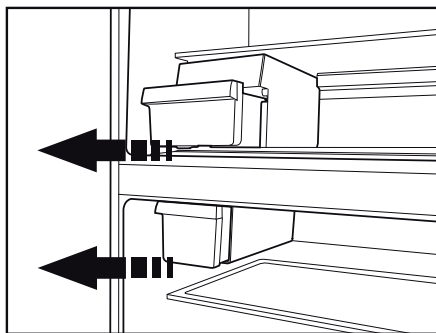
První led bude ve výrobníku ledu připraven asi za 2 hodiny v chladicím prostoru.

Po umístění plně vodní nádrže, dokud se zcela nevyprázdní, můžete získat asi 60-70 kostek ledu.

V případě, že voda v nádrži byla déle než 2-3 týdny, vyměňte ji.



U produktů s automatickým výrobníkem ledu, při výrobě ledu můžete slyšet zvuk. Tento zvuk je normální a není známkou poruchy.



## Tlačítko pro Nastavení teploty

### 5.21. Icematic a držák na skladování ledu

\*volitelné

#### Používání výrobku ledu Icematic

Naplňte výrobek ledu Icematic vodou a umístěte ho na jeho místo. Váš led bude připraven asi po dvou hodinách. Pro vyjmutí ledu neodstraňujte Icematic z jeho místa.

Otočte knoflík na ledovém zásobníku ve směru hodinových ručiček o 90 stupňů.

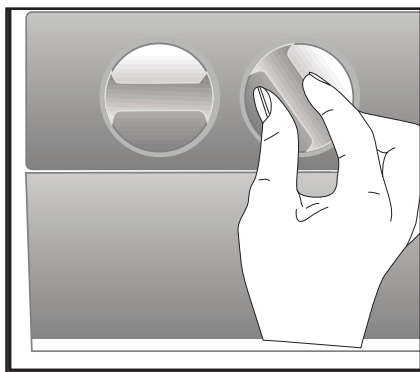
Ledové kostky v nádrži spadnou dolů do níže umístěného držáku ledu.

Následně můžete vybrat držák ledu a podávat ledové kostky.

Pokud chcete, ledové kostky můžete skladovat i v držáku na led.

#### Držák na skladování ledu

Držák na skladování ledu je určen pouze pro sbírání kostek ledu. Nedávejte do něj vodu. V opačném případě se zlomí.



### 5.22. Použití dávkovače vody

\*volitelné



Je normální, že prvních několik sklenic vody odebraných z dávkovače vody bude obvykle teplých.

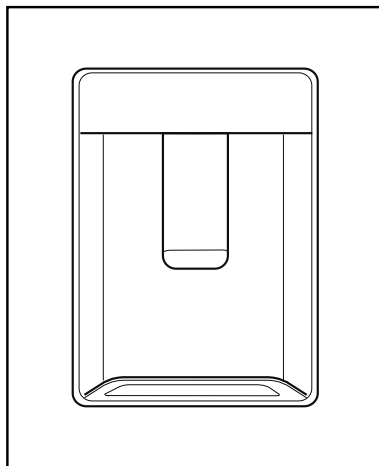


Pokud se dávkovač vody nepoužíval delší dobu, abyste získali čistou vodu, první sklenice vody vylijte.

1. Zatlačte sklenici o páku dávkovače vody. Pokud používáte měkký plastový kelímek, bude snazší páku stisknout rukou.
2. Po naplnění poháru po požadované úrovni, uvolněte páku.



Upozorňujeme, že z dávkovače vyteče tolik vody, jak daleko potlačíte páku. Když hladina vody ve Vaší šálku / sklenici stoupne, jemně snižte množství tlaku na páku, abyste zabránili přetečení. Pokud páku lehce stisknete, bude kapat voda; to je zcela normální a nejde o poruchu.



## Tlačítko pro Nastavení teploty

### 5.23. Plnění nádrže dávkovače na vodu

Plnicí nádrž Vodní nádrže je umístěna uvnitř stojanu dveří.

1. Otevřete kryt nádrže.
2. Naplňte nádrž čerstvou pitnou vodou.
3. Zavřete kryt.



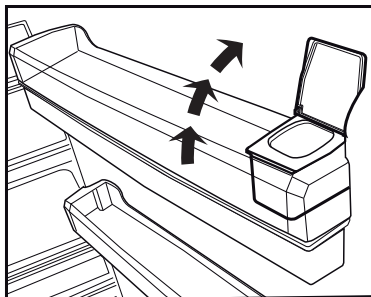
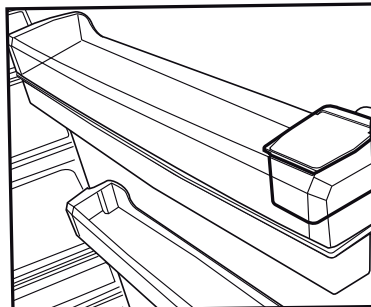
Nepĺňte nádrž na vodu s jinou kapalinou kromě vody, jako jsou například ovocné džusy, sycené nápoje a alkoholické nápoje, které nejsou vhodné pro použití v dávkovači vody. V případě použití těchto druhů kapalin se dávkovač vody nenapravitelně poškodí. Záruka se nevztahuje na takové použití. Některé chemické látky a přísady obsažené v těchto druhů nápojů / kapalin mohou poškodit nádržku na vodu.



Používejte pouze čistou pitnou vodu.



Kapacita nádrže na vodu je 3 litry; nepřepĺňujte ji.





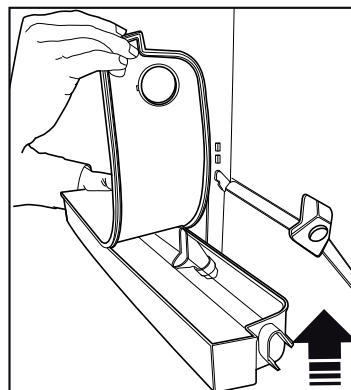
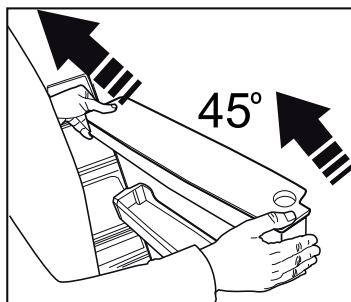
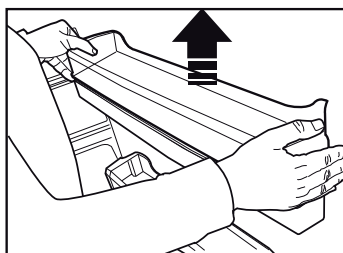
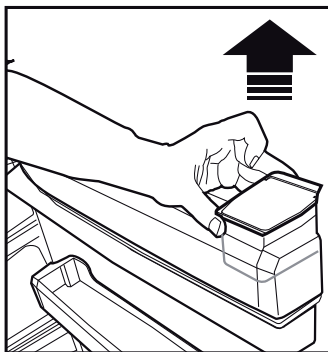
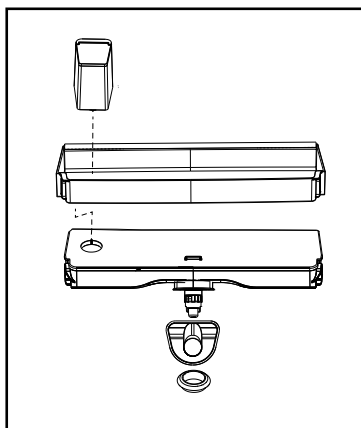
## Tlačítko pro Nastavení teploty

### 5.24. Čištění nádrže na vodu

1. Vyberte nádrž na vodu uvnitř rámu dveří.
2. Odstraňte rám dveří jejich přidržením z obou stran.
3. Chyťte nádržku na vodu z obou stran a odstraňte ji pod úhlem 45 ° C.
4. Odstraňte kryt zásobníku na vodu a vyčistěte nádrž.



Součástí nádrže na vodu a dávkovač vody nemyjte v myčce nádobí.



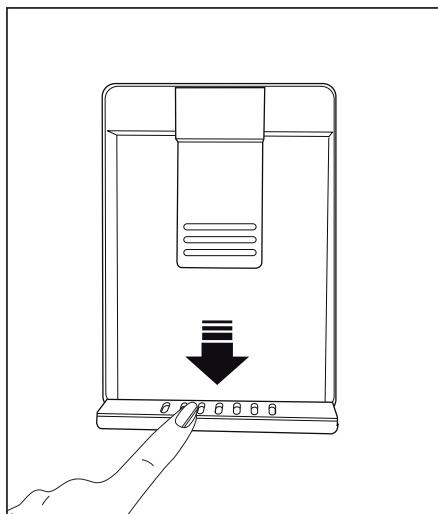
## Tlačítko pro Nastavení teploty

### 5.25. Odkapávací zásobník

Voda, která při použití dávkovače vody vykvapkala, se hromadí v odkapávacím zásobníku.

Odstraňte plastový filtr, jak je znázorněno na obrázku.

S čistým a suchým hadříkem odstraňte nahromaděnou vodu.



### 5.26. HerbBox/HerbFresh

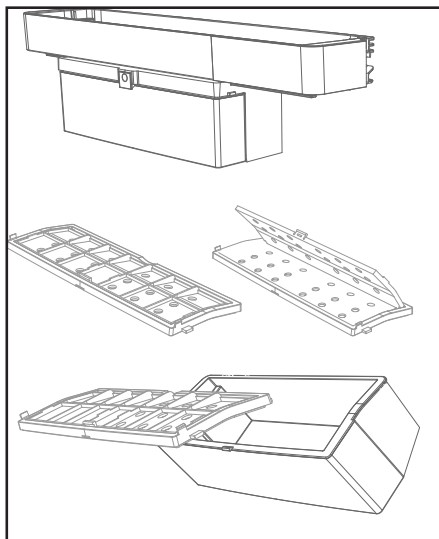
Vyberte filmový zásobník z HerbBox/HerbFresh +

Odstraňte film ze sáčku a vložte jej do filmového zásobníku, jak je znázorněno na obrázku.

Opět uzavřete zásobník a vložte jej zpět do jednotky HerbBox/HerbFresh +

Části HerbBox / HerbFresh + jsou obzvlášť vhodné pro skladování různých bylin, které mají být uchovávány v citlivých podmínkách. Můžete ukládat své nezabalené bylinky (petržel, kopr, atd.) do této části horizontálně a udržet jejich čerstvé mnohem delší dobu.

Film se nahrazuje každých šest měsíců.



## Tlačítko pro Nastavení teploty

### 5.27. Zmrazování čerstvých potravin

- Pokud chcete zachovat kvalitu potravin, potraviny umístěné v mrazničce musí být zmrazené tak rychle, jak je to možné, z toho důvodu použijte funkci rychlého zmrazení.
- Zmrazení potravin v čerstvém stavu prodlouží dobu jejich skladování v mrazničce.
- Zabalte potraviny do vzduchotěsných balení a těsně jejich uzavřete.
- Ujistěte se, že potraviny jsou před vložením do mrazničky zabalené. Místo tradičního obalového papíru použijte krabice do mrazáku, staniol a papír odolný proti vlhkosti, igelitové sáčky nebo podobné obalové materiály.



Led se v mrazící části taje automaticky.

- Před zmrazením označte každé balení potravin napsáním data na jejich obal. To vám umožní určit čerstvost každého balení při každém otevření mrazničky. Udržujte dřívější položky potravin v přední části, abyste zajistili, že budou použity jako první.
- Zmrazené potraviny musí být použity ihned po rozmrazení a neměly by být znovu zmrazeny.
- Nezmrazujte velké množství potravin najednou.

### 5.28. Doporučení pro skladování zmrazených potravin

Chladicí prostor musí být nastaven na méně než -18 °C.

1. Umístěte potraviny do mrazničky co nejrychleji, aby nedošlo k jejich rozmrazení.
2. Před zmrazením zkontrolujte položku "Datum spotřeby" na obalu, abyste zjistili, že ještě nevypršela.
3. Ujistěte se, že balení potravin není poškozeno.

Nastavení teploty Mrazicího prostoru	Nastavení teploty Chladicího prostoru	Podrobnosti
-18°C	4°C	Toto je výchozí, doporučené nastavení.
-20,-22 nebo 24°C	4°C	Tyto nastavení se doporučují pro teploty nad 30 ° C.
Quick Freeze - Rychlé mrazení	4°C	Použijte, když chcete zmrazit vaše potraviny krátké době. Po ukončení procesu se produkt vrátí do své předchozí pozice.
-18 ° C nebo nižší	2°C	Použijte toto nastavení, pokud si myslíte, že chladicí prostor není dostatečně studený vzhledem k teplotě prostředí nebo časté otevírání dveří.

## Tlačítko pro Nastavení teploty

### 5.29. Podrobnosti o mrazničce

Podle norem IEC 62552, mraznička musí mít schopnost zmrazit 4,5 kg potravin na teplotu -18 °C nebo nižší do 24 hodin na každých 100 litrů objemu mrazicího prostoru.

Potraviny mohou být zachovány po delší dobu pouze při teplotě do teploty -18 °C.

Potraviny můžete udržovat čerstvé po dobu několika měsíců (v mrazničce na nebo pod teplotou -18 °C).

Potraviny které mají být zmrazeny nesmí přijít do kontaktu s již zmrazenými potravinami uvnitř mrazničky z důvodu zabránění jejich částečnému rozmrazení.

Zeleninu uvařte a vodu odfiltrujte pro prodloužení doby zmrazeného skladování. Po filtraci dejte jídlo do vzduchotěsných balení a umístěte jej v mrazničce. Banány, rajčata, hlávkový salát, celer, vařené vejce, brambory a podobné potraviny nezmrazujte. V opačném případě tyto potraviny shnijí a budou ovlivněny jejich nutriční hodnoty a kvalita jídla. To, že hniloba ohrožuje i lidské zdraví, není sporné.

### 5.30. Umístění jídla

Police v mrazicí části	Různý mražené zboží jako jsou maso, ryby, zmrzlina, zelenina apod.
Police v chladicí části	Potraviny v hrnci, talíře a krabice s víčky, vejce (v krabicích s víčkem)
Police v dveřích chladicí části	Malé a balené potraviny nebo nápoje
Zásobník na zeleninu	Ovoce a zelenina
Část pro čerstvé potraviny	Lahůdky (potraviny pro snídani, masné výrobky, které mají být konzumovány v krátké době)

### 5.31. Upozornění na otevřené dveře

#### (Volitelně)

Pokud dveře výrobku zůstanou otevřené, po dobu alespoň 1 minuty, zazní akustické upozornění. Akustický upozornění ztichne, když jsou dveře zavřené nebo po stisknutí libovolného tlačítka na displeji (pokud je k dispozici).

Upozornění na otevřené dveře je indikováno uživateli tak akusticky, tak vizuálně. Pokud alarm pokračuje po dobu 10 min, osvětlení interiéru vypne.

### 5.32. Změna směru otevírání dveří

Směr otevírání dveří vaší chladničky můžete změnit v závislosti na jejím místě použití.

Když tak potřebujete udělat, obraťte se na nejbližší Autorizovaný servis.

Výše uvedené vysvětlení je obecné prohlášení. O možnosti změny směru otevírání dveří zkontrolujte štítek s upozorněním umístěný uvnitř obalu.

### 5.33. Vnitřní osvětlení

Ve vnitřním osvětlení se používá LED lampa.

V případě jakýchkoliv problémů s touto lampou se obraťte na autorizovaný servis.

Lampa/y, použité v tomto zařízení není možné použít pro osvětlení domu. Účel použití tohoto světla je pomoci uživateli umístit potraviny do chladničky / mrazničky bezpečně a pohodlně.

Při pravidelném čištění se zvýší životnost výrobku.



**VAROVÁNÍ:** Před čištěním chladničky produkt nejprve odpojte z elektrické sítě.

- K čištění nikdy nepoužívejte ostré nebo brusné nástroje, mýdlo, domácí čistidla, detergenty a voskové čistidlo.
- Rozpusťte jednu lžičku karbonátu v půl litru vody. Namočte hadřík do roztoku a důkladně ji vyždímejte. Otrěte vnitřek spotřebiče s touto látkou a vysušte ho.
- Ujistěte se, aby se o tělesa osvětlení a jiných elektrických předmětů nedostala žádná voda.
- Očistěte dveře pomocí vlhkého hadříku. Chcete-li odstranit police ve dveřích a hlavní police, odstraňte veškerý jejich obsah. Vyberte police dveří jejich posunutím směrem nahoru. Po očištění, k uložení je vložte směrem shora dolů.
- Pro čištění vnějších povrchů a pochromovaných součástí výrobku nikdy nepoužívejte čistící prostředky ani vodu s obsahem chloru. Chlor způsobuje korozi kovových povrchů.
- Pro zabránění odstranění a deformaci nápisů na plastových dílech, nepoužívejte žádné ostré, brusné nástroje, mýdlo, čistící prostředky pro domácnost, čistící prostředky, petrolej, topný olej, laky atd. K čištění použijte vlažnou vodu a měkký hadřík a otřete je do sucha.

### 6.1. Zabránění vzniku nepříjemných pachů

Při výrobě našich zařízení se nepoužívají materiály, které mohou způsobit zápach. Nicméně, nevhodné podmínky pro zachování potravin a zanedbání čištění vnitřního povrchu zařízení v potřebné míře může způsobit problém zápachu.

Proto ledničku čistěte karbonáty rozpuštěným ve vodě každých 15 dní.

- Potraviny uchovávejte v uzavřených nádobách. Mikroorganismy šířící se z nekrýtkých nádob mohou způsobit nepříjemné pachy.
- Nikdy neskladujte jídlo, kterým vypršela trvanlivosti a jsou rozlitá v chladničce.

### 6.2. Ochrana plastových povrchů

Okamžitě očistěte s teplou vodou, protože olej nanesený na plastové povrchy může způsobit poškození povrchu.

### 6.3. Dveřní skla

Ze skel odstraňte ochrannou fólii.

Na povrchu skla se nachází povlak. Tento povlak minimalizuje vznik skvrn a pomáhá snadno odstranit případné nečistoty a skvrny. Skla, které nejsou chráněny takovým povlakem mohou být vystaveny trvalým organickým nebo anorganickým nečistotám na bázi vzduchu nebo vody, jako jsou vodní kámen, minerální soli, nespálené uhlovodíky, oxidy kovů a silikony, které snadno a rychle způsobují skvrny nebo materiální škody. Udržování skla v čistém stavu se stává příliš těžkým, navzdory pravidelnému čištění. V důsledku toho, vzhled a transparentnost skla se zhoršuje. Drsné a žíravé metody čištění a sloučeniny zintenzivňují tyto vady a urychlují proces zhoršování se.

Pro běžné čistící účely použijte čistící prostředky na vodní bázi, které nejsou zásadité a korozivní.

K čištění použijte nealkoholické a nekorozivní materiály, abyste zachovali povlak po dlouhou dobu.

Skla jsou temperované pro zvýšení jejich odolnosti proti nárazům a lámání.

Na jejich zadní ploše byla také aplikována bezpečnostní fólie, jako další bezpečnostní opatření pro zabránění poškození jejich okolí v případě jejich rozbití.

\* Alkálie je báze, která při rozpuštění ve vodě tvoří hydroxidové ionty (OH).

Kovy Li (lithium), Na (sodík), K (draslík) Rb (rubidium), Cs (cesium), a umělý a radioaktivní Fr (Francium) se nazývají alkalické kovy.

## 7 Řešení problémů

Než se obrátíte na servis, viz následující seznam. Může Vám to ušetřit čas i peníze. Tento seznam obsahuje časté stížnosti, které nejsou spojeny s chybným zpracováním nebo poškozením materiálu. Některé funkce uvedené v tomto dokumentu se nemusí vztahovat na váš produkt.

### Chladnička nefunguje.

Zástrčka není úplně nasazena. >>> Zapojte ji úplně do zásuvky.

Pojistka připojená do zásuvky která napájí produkt nebo hlavní pojistka je spálená. >>> Zkontrolujte pojistky.

### Kondenzace na boční stěně chladicího prostoru (MULTI ZÓNA, CHLADÍCÍ, KONTROLNÍ a FLEXI ZÓNA).

- Dveře se otevírají příliš často >>> Dbejte na to, abyste dveře výrobku neotvírali příliš často.
- Prostředí je příliš vlhké. >>> Neinstalujte výrobek ve vlhkém prostředí.
- Potraviny obsahující tekutiny jsou uchovávány v neuzavřených nádobách. >>> Uchovávejte potraviny, které obsahují tekutiny v uzavřených nádobách.
- Dveře výrobku byly ponechány otevřené. >>> Nenechávejte dveře chladničky otevřené po delší dobu.
- Termostat je nastaven na příliš nízkou teplotu. >>> Nastavte termostat na vhodnou teplotu.

### Kompresor nepracuje.

- V případě náhlého výpadku proudu nebo vytažení napájecího kabelu a po jeho opětovném připojení tlak plynu v chladicím systému výrobku není vyvážený, což spustí tepelný jistič kompresoru. Produkt se restartuje po přibližně 6 minutách. Když se výrobek po uplynutí této doby restartován, obraťte se na servis.
- Je aktivní rozmrazování. >>> To je normální pro chladničku s plně automatickým rozmrazováním. Odmrazování se provádí pravidelně.
- Produkt není zapojen do elektrické sítě >>> Ujistěte se, že napájecí kabel je zapojen.
- Nastavení teploty je nesprávné. >>> Zvolte odpovídající nastavení teploty.
- Není proud. >>> Produkt bude nadále fungovat normálně po obnovení napájení.

### Provozní hluk chladničky se při používání zvyšuje.

- Provozní výsledky tohoto výrobku se mohou lišit v závislosti na změnách teploty okolního prostředí. To je normální a nejedná se o závadu.

### Chladnička běží příliš často nebo příliš dlouho.

## Řešení problému

- Nový výrobek může být větší než ten předchozí. Větší výrobky budou pracovat po delší dobu.
  - Teplota v místnosti může být vysoká. >>> Výrobek bude v místnosti s vyšší teplotou spuštěn po delší dobu.
  - Výrobek mohl být zapojen nedávno nebo v něm byly umístěny nové položky potravin. >>> Výrobek dosáhne nastavenou teplotu déle, když byl jen právě zapojen nebo do něj byly umístěny nové potraviny. To je normální.
  - Do výrobku bylo v poslední době umístěno velké množství teplého jídla. >>> Nepokládejte horké jídlo do výrobku.
  - Dveře byly často otevřené nebo zůstaly otevřené po delší dobu. >>> Teplý vzduch pohybující se uvnitř způsobí, že výrobek bude v provozu déle. Neotvírejte dveře chladničky příliš často.
  - Dveře mrazničky nebo chladničky mohli zůstat pootevřené. >>> Zkontrolujte, zda jsou dveře úplně zavřené.
  - Výrobek může být nastaven na příliš nízkou teplotu. >>> Nastavte teplotu na vyšší stupeň a počkejte, až výrobek dosáhne nastavenou teplotu.
  - Podložky dveří chladničky nebo mrazničky mohou být špinavé, opotřebené, rozbité nebo nesprávně nasazené. >>> Vyčistěte nebo vyměňte podložky. Poškozené / roztrhané podložky dveří způsobí, že výrobek bude běžet delší dobu pro zachování aktuální teploty.
  - Teplota prostoru mrazničky je nastavena na velmi nízký stupeň. >>> Nastavte teplotu v mrazničce na vyšší stupeň a znovu zkontrolujte.
- Teplota chlazení je velmi nízká, ale teplota mrazničky je dostačující.**
- Teplota prostoru chladničky je nastavena na velmi nízký stupeň. >>> Nastavte teplotu v chladničce na vyšší stupeň a znovu zkontrolujte.
- Potraviny uchovávané v chladnějším zásevek prostor jsou zmrazeny.**
- Teplota prostoru chladničky je nastavena na velmi nízký stupeň. >>> Nastavte teplotu v mrazničce na vyšší stupeň a znovu zkontrolujte.
- Teplota v chladničce nebo v mrazničce je příliš vysoká.**
- Teplota prostoru chladničky je nastavena na velmi vysoký stupeň. >>> Nastavení teploty chladicí části ovlivňuje teplotu v mrazničce. Změňte teplotu v chladicí nebo mrazicí části a počkejte, dokud příslušné přihrádky dosáhnou nastavenou úroveň teploty.
  - Dveře byly často otevřené nebo zůstaly otevřené po delší dobu. >>> Neotvírejte dveře chladničky příliš často.
  - Dveře mohou být pootevřena. >>> Úplně zavřete dveře.
  - Produkt mohl být zapojen nedávno nebo v něm byly umístěny nové položky potravin. >>> To je normální. Výrobek dosáhne nastavenou teplotu déle, když byl jen právě zapojen nebo do něj byly umístěny nové potraviny.
  - Do výrobku bylo v poslední době umístěno velké množství teplého jídla. >>> Nepokládejte horké jídlo do výrobku.

**Teplota mražení je velmi nízká, ale teplota chladiče je dostačující.**

# Řešení problémů

## Třese se nebo vydává hluk.

- Podlaha není ve vodovázce nebo není odolná. >>> Pokud se výrobek třese, když se pomalu pohybuje, nastavte stojany na vyrovnání výrobku. >>> Ujistěte se také, že podlaha je dostatečně odolná k tomu, aby unesla produkt.
- Všechny položky umístěné na výrobku mohou způsobit hluk. >>> Odstraňte všechny položky umístěné na výrobku.

## Výrobek vytváří hluk tekoucí, stříkající kapalinou apod.

- Princip fungování tohoto výrobku je založen na toku kapalin a plynu. >>> To je normální a nejedná se o závadu.

## Z výrobku zní zvuk jako vanoucí vítr.

- Výrobek pro proces chlazení používá ventilátor. To je normální a nejedná se o závadu.

## Na vnitřních stěnách výrobku se vytvořil kondenzát.

- Horké nebo vlhké počasí zvýší námrazu a kondenzaci. To je normální a nejedná se o závadu.
- Dveře byly často otevřené nebo zůstaly otevřené po delší dobu. >>> Neotvírejte dveře příliš často, pokud zůstaly otevřeny, zavřete je.
- Dveře mohou být pootevřena. >>> Úplně zavřete dveře.

## Vytváří se kondenzát na vnější straně výrobku nebo mezi dveřmi.

- Okolní prostředí může být vlhké, je to naprosto normální ve vlhkém počasí. >>> Kondenzace se rozptýlí, když se sníží vlhkost.

## Interiér zapáchá.

- Produkt není pravidelně čištěn. >>> Pravidelně čistěte vnitřek pomocí houbičky, teplé vody a sycené vody.
- Některé balení a obalové materiály může způsobit zápach. >>> Používejte balení a obalové materiály bez zápachu.
- Potraviny byly umístěny v neuzavřených baleních. >>> Uchovávejte potraviny v uzavřených obalech. Mikroorganismy se mohou z neuzavřených potravin rozšířit a způsobit zápach.
- Z výrobku odstraňte všechny potraviny se zašlým datem spotřeby a zkažené potraviny.

## Dveře se nezavírají.

- Balíčky s potravinami mohou blokovat dveře. >>> Přemístěte předměty blokující dveře.
- Produkt nestojí ve zcela svislé poloze na zemi. >>> Nastavte stojany pro uvedení výrobku do svislé polohy.
- Podlaha není ve vodovázce nebo není odolná. >>> Ujistěte se, že podlaha je vyvážená a dostatečně odolná k tomu, aby unesla produkt.

## Zásobník na zeleninu se zasekl.

- Potraviny mohou být v kontaktu s horní částí zásobníku. >>> Reorganizujte potraviny v šuplíku.

## Pokud Je Povrch Produktu Horký

- Když je zařízení v provozu, lze pozorovat vysoké teploty mezi dvěma dvířky, na postranních panelech a na zadním grilu. To je běžné a není to důvod pro servisní údržbu! Při kontaktu s těmito plochami buďte opatrní.



**UPOZORNĚNÍ:** Pokud problém přetrvává i po provedení pokynů v této části, obraťte se na svého prodejce nebo na autorizovaný servis. Nepokoušejte se opravit produkt.





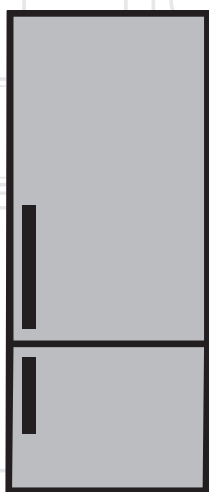
58 0940 0000/AJ  
1/4  
EN-RO-CZ



[www.beko.com](http://www.beko.com)

# Refrigerator

User manual



RCNE560E30ZXP

RCNE560E30DZXP

RCNE560I30DXB

RCNE560E30DZXB

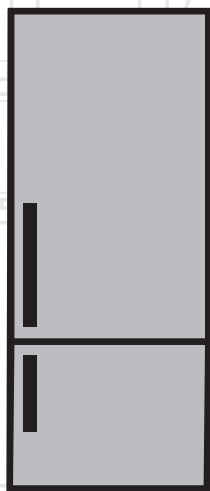
RCNE560E30ZXB

SK IDE | PL

**beko**

# Chladnička

Používateľská príručka



SK |

**beko**

## **Pred použitím produktu si pozorne prečítajte tento návod na obsluhu.**

Vážení zákazníci,

Chceme Vám poskytnúť možnosť najlepšieho použitia nášho výrobku, ktorý bol vyrobený v moderných zariadeniach so starostlivosťou a dôkladnou kontrolou kvality.

Tiež, pred použitím výrobku Vám odporúčame prečítať si celý návod na použitie. V prípade odpredaja výrobku, nezabudnite odovzdať návod jeho novému majiteľovi spoločne s výrobkom.

### **Táto príručka vám pomôže aby ste mohli výrobok používať rýchlo a bezpečne.**

- Pred inštaláciou a použitím výrobku si prosím pozorne prečítajte užívateľskú príručku.
- Vždy dodržujte platné bezpečnostné predpisy.
- Majte užívateľskú príručku v dosahu pre budúce použitie.
- Prečítajte si prosím všetky ďalšie dokumenty dodané s výrobkom.

Nezabúdajte, že táto Užívateľská príručka sa môže vzťahovať na viacero modelov výrobkov. Príručka jasne ukáže všetky variácie rôznych modelov.

	Dôležité informácie a užitočné tipy.
	Ohrozenie života a majetku.
	Riziko zranenia elektrickým prúdom.
	Obal tohto výrobku je vyrobený z recyklovateľných materiálov, v súlade s Národnou legislatívou pre životné prostredie.

<b>1 Bezpečnostné pokyny a životné prostredie</b>	<b>3</b>	5.8. Panel ukazovateľov . . . . .	17
1.1. Všeobecná bezpečnosť . . . . .	3	5.9. Indikačný panel . . . . .	18
1.1.1 Varovanie HC. . . . .	4	5.10. Zásobník na ľad . . . . .	23
1.1.2 Pre modely s dávkovačom vody . . . . .	5	5.12. Ventilátor . . . . .	24
1.2. Účel použitia . . . . .	5	5.11. Držiak na vajíčka . . . . .	24
1.3. Bezpečnosť detí . . . . .	5	5.13. Zásobník na zeleninu . . . . .	24
1.4. Súlad so smernicou WEEE a Odstránenie odpadov výrobku . . . . .	5	5.14. Oddelenia Nulového stupňa . . . . .	24
1.5. Súlad so smernicou RoHS . . . . .	5	5.15. Pohyblivý stojan vo dverách . . . . .	24
1.6. Informácie o balení . . . . .	5	5.16. Posuvná odkladacia schránka . . . . .	25
<b>2 Vaša chladnička</b>	<b>6</b>	5.17. Dezodorizačný modul . . . . .	25
<b>3 Inštalácia</b>	<b>7</b>	5.18. Používanie druhého priečinka na zeleninu a ovocie; . . . . .	26
3.1. Správne miesto pre inštaláciu . . . . .	7	5.19. Zásobník na zeleninu s kontrolou vlhkosti . . . . .	27
3.2. Pripojenie plastových klinov . . . . .	7	5.20. Automatický výrobnik ľadu . . . . .	27
3.3. Nastavenie stojanov . . . . .	7	5.21. Icematic a držiak na skladovanie ľadu . . . . .	28
3.4. Pripojenie napájania . . . . .	8	5.22. Používanie dávkovača na vodu . . . . .	28
3.5. Obrátenie dverí . . . . .	9	5.23. Plnenie nádrže dávkovača na vodu . . . . .	29
3.6. Obrátenie dverí . . . . .	10	5.24. Čistenie nádrže na vodu . . . . .	30
<b>4 Príprava</b>	<b>11</b>	5.25. Odkvapkávacia miska. . . . .	31
4.1. Čo urobiť pre úsporu energie . . . . .	11	5.26. HerbBox/HerbFresh . . . . .	31
4.2. Prvé uvedenie do prevádzky . . . . .	11	5.27. Zmrazovanie čerstvých potravín . . . . .	32
<b>5 Tlačidlo pre Nastavenie teploty</b>	<b>12</b>	5.28. Odporúčania pre skladovanie zmrazených potravín. . . . .	32
5.1. Tlačidlo pre Nastavenie teploty. . . . .	12	5.29. Podrobnosti o mrazničke . . . . .	33
5.2. Rýchle zmrazovanie . . . . .	12	5.30. Umiestnenie jedla . . . . .	33
5.3. Funkcia Dovoľenka . . . . .	13	5.31. Upozornenie na otvorené dvere. . . . .	33
5.4. Tlačidlo nastavenia termostatu. . . . .	13	5.32. Zmena smeru otvárania dverí . . . . .	33
5.5. Tlačidlo nastavenia termostatu. . . . .	13	5.33. Vnútorne osvetlenie . . . . .	33
5.6. Odmrazovanie. . . . .	14	<b>6 Údržba a čistenie</b>	<b>34</b>
5.7. Indikačný panel. . . . .	15	6.1. Zabránenie vzniku nepríjemných pachov . . . . .	34
		6.2. Ochrana plastových povrchov . . . . .	34
		6.3. Dverové sklá . . . . .	34
		<b>7 Riešenie problémov</b>	<b>35</b>

## Bezpečnostné pokyny a životné prostredie

Táto časť obsahuje bezpečnostné pokyny nevyhnutné pre zabránenie nebezpečenstvu zranení a materiálnych škôd. Nedodržaním týchto pokynov zanikajú všetky typy záruky výrobku.

### Určené použitie

#### **UPOZORNENIE:**

Udržujte vetracie otvory na kryte prístroja alebo v konštrukcii zabudovania bez prekážok.

#### **UPOZORNENIE:**

Nepoužívajte mechanické nástroje alebo iné prostriedky na urýchlenie procesu odmrazenia, okrem tých, ktoré odporúča výrobca.

#### **UPOZORNENIE:**

Nepoškodzuje chladiaci okruh.

#### **UPOZORNENIE:**

Nepoužívajte elektrické spotrebiče vo vnútri priestoru na potraviny, iba ak sú doporučené výrobcom.



Toto zariadenie je určené pre použitie v domácnosti a v podobných podmienkach, ako sú napríklad

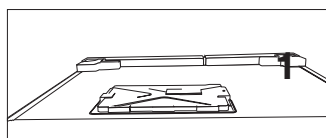
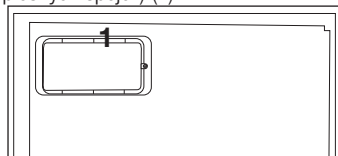
- Kuchynské miestnosti pre personál v obchodoch, kanceláriách a v iných pracovných prostrediach;
- farmárske domy a klienti v hoteloch, motelloch a iných typoch bytových zariadení;
- v ubytovacích zariadeniach typu bed and breakfast;
- stravovacie a podobné zariadenia neobchodného typu.

### 1.1. Všeobecná bezpečnosť

- Tento produkt by nemali používať osoby s telesným, zmyslovým a mentálnym postihnutím, osoby bez dostatočných znalostí a skúseností, alebo

deti. Zariadenie môžu tieto osoby používať len pod dohľadom a po poučení osobou zodpovednou za ich bezpečnosť. Nedovoľte deťom hrať sa s týmto zariadením.

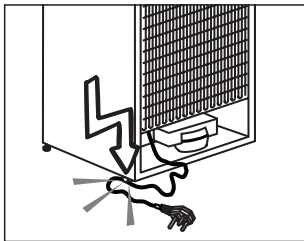
- V prípade poruchy prístroj odpojte.
- Po odpojení počkajte najmenej 5 minút pred opätovným pripojením. Odpojte výrobok, keď sa nepoužíva. Nedotýkajte sa zástrčky mokrymi rukami! Pri odpájaní neťahajte za kábel, vždy uchopte zástrčku.
- Nezapájajte chladničku, ak je zásuvka uvoľnená.
- Pri inštalácii, údržbe, čistení a opravách výrobok odpojte.
- Ak sa výrobok nebude dlhší čas používať, odpojte ho a vyberte z neho potraviny.
- Nepoužívajte paru alebo čistiace prostriedky s parou pre čistenie chladničky a topenia ľadu vo vnútri. Para môže prísť do styku s elektrifikovanými oblasťami a spôsobiť skrat alebo elektrický šok!
- Neumývajte výrobok striekaním alebo polievaním vodou na neho! Nebezpečenstvo úrazu elektrickým prúdom!
- Nikdy nepoužívajte výrobok, ak časť nachádzajúca sa na hornej alebo zadnej strane výrobku s elektronickou doskou s plošným spojmom vo vnútri je otvorená (krycia doska elektronických plošných spojov) (1).



- V prípade jeho poruchy výrobok nepoužívajte, pretože by mohlo dôjsť k úrazu elektrickým prúdom. Pred tým, než čokoľvek urobíte, sa obráťte na autorizovaný servis.

## Bezpečnostné pokyny a životné prostredie

- Výrobok zapájajte do uzemnenej zásuvky. Uzemnenie musí byť vykonané kvalifikovaným elektrikárom.
- Ak produkt má osvetlenie typu LED, pre jeho nahradenie alebo v prípade akéhokoľvek problému sa obráťte na autorizovaný servis.
- Nedotýkajte sa mrazených potravín mokrymi rukami! Môžu sa nalepiť na Vaše ruky!
- Nekladte do mrazničky tekutiny vo fľašiach a plechovkách. Môžu vybuchnúť!
- Tekutiny umiestnite vo vzpriamenej polohe a pevne uzatvorte ich veko.
- Nestriekajte horľavé látky v blízkosti výrobku, nakoľko sa môže zapáliť alebo explodovať.
- Nenechávajte horľavé materiály a produkty s horľavým plynom (spreje, atď.) v chladničke.
- Nekladte nádoby obsahujúce kvapaliny na hornú časť výrobku. Voda striekajúca na elektrifikované časti môže spôsobiť úraz elektrickým prúdom a nebezpečenstvo požiaru.
- Vystavenie produkt dažďu, snehu, slnku a vetru môže spôsobiť elektrické nebezpečenstvo. Pri premiestňovaní výrobku ho neťahajte držaním za rúkovať dverí. Rúkovať sa môže odtrhnúť.
- Dbajte na to, aby nedošlo k zachyteniu akúkoľvek časti vašich rúk či tela do akýchkoľvek z pohybujúcich sa častí vo vnútri výrobku.
- Nevyliezajte alebo sa neopierajte o dvere, zásuvky a podobné časti chladničky. Môže to mať za následok pád výrobku a spôsobiť poškodenie dielov.
- Dávajte pozor, aby nedošlo k privretiu napájacieho kábla.



### 1.1.1 Varovanie HC

Ak výrobok obsahuje chladiaci systém v ktorom sa používa plyn R600a, zabezpečte, aby pri používaní a pohybovaní spotrebiča nedošlo k poškodeniu chladiaceho systému a jeho potrubia. Tento plyn je horľavý. Ak je chladiaci systém poškodený, zabezpečte, aby bolo zariadenie mimo dosahu zdrojov ohňa a okamžite vyvetrajte miestnosť.



Štítok na vnútornej ľavej strane označuje druh plynu používaného v produkte.

### 1.1.2 Pre modely s dávkovačom vody

Tlak pre prívod studenej vody musí byť maximálne 90 psi (620 kPa). Ak je váš tlak vody vyšší ako 80 psi (550 kPa, použite vo vašej sieti ventil na obmedzovanie tlaku. Ak neviete, ako skontrolovať tlak vody, požiadajte o pomoc profesionálneho inštalatéra.

- Ak pri inštalácii existuje riziko vodného rázu, vždy použite preventívne zariadenia proti vodnému rázu. Ak ste si nie je istý, či vo Vašej sieti je efekt vodného rázu, poraďte sa s profesionálnym inštalátorom. Neinštalujte na prívode pre teplú vodu. Vykonajte nevyhnutné opatrenia proti riziku zamrznutia hadíc. Prevádzkový interval teplota vody musí byť medzi minimálne 33 ° F (0,6 ° C) a maximálne 100 ° F (38 ° C).
- Používajte len pitnú vodu.

# Bezpečnostné pokyny a životné prostredie

## 1.2. Účel použitia

- Tento výrobok je určený pre domáce použitie. Nie je určený pre komerčné použitie.
- Spotrebič by mal byť používaný iba pre skladovanie potravín a nápojov.
- Do chladničky neukladajte citlivé produkty, ktoré si vyžadujú riadené teploty (očkovacie látky, lieky citlivé na teplo, zdravotnícky materiál, atď.).
- Výrobca nenesie žiadnu zodpovednosť za prípadné škody spôsobené nesprávnym použitím alebo nesprávnou manipuláciou.
- Životnosť výrobku je 10 rokov. Náhradné diely potrebné pre funkčnosť tohoto výrobku budú pre toto obdobie k dispozícii.

## 1.3. Bezpečnosť detí

- Obalové materiály uchovávajúte mimo dosahu detí.
- Nedovoľte deťom, aby sa s výrobkom hrali.
- Ak je na dverách výrobku zámok, kľúč držte mimo dosahu detí.

## 1.4. Súlad so smernicou WEEE a Odstránenie odpadov výrobku

Tento výrobok spĺňa požiadavky smernice WEEE EÚ (2012/19/EU). Na tomto priodukte je zobrazený symbol klasifikácie odpadu elektrických a elektronických zariadení (OEEZ).



Tento výrobok bol vyrobený z vysoko kvalitných materiálov a komponentov, ktoré sa dajú opätovne použiť a ktoré sú vhodné pre recykláciu. Na konci svojej životnosti spotrebič

nevyhadzujte spolu s bežnými domácimi a inými odpadmi. Odneste ho do zberného centra pre recykláciu elektrických a elektronických zariadení. Pre informácie o týchto zberných

strediskách sa prosím obráťte na miestne úrady.

## 1.5. Súlad so smernicou RoHS

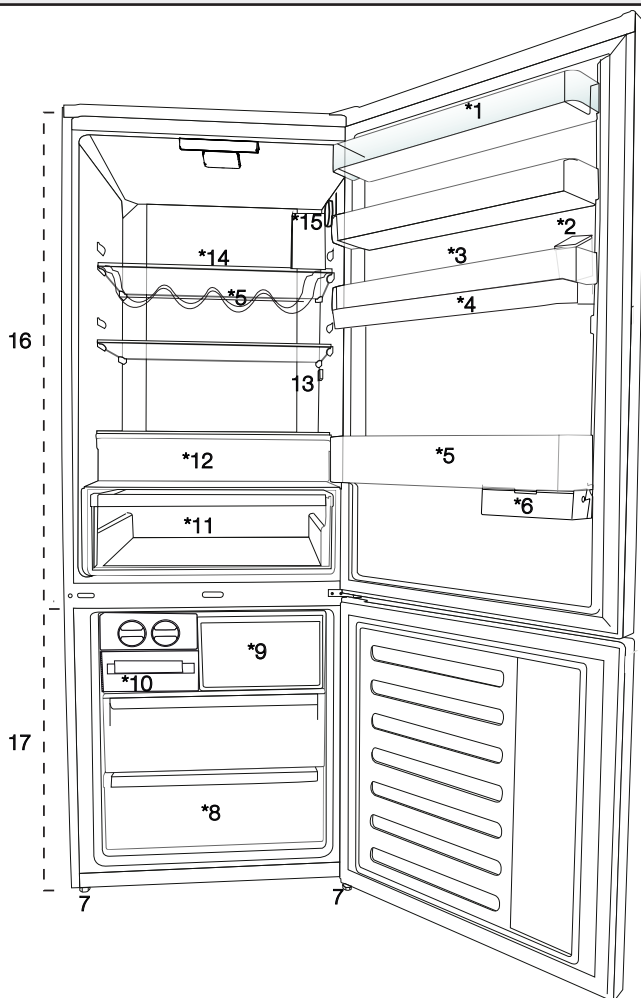
Tento výrobok spĺňa požiadavky smernice WEEE EÚ (2011/65/EU). Neobsahuje škodlivé a zakázané látky uvedené v smernici.

## 1.6. Informácie o balení

Obalové materiály výrobku sú vyrobené z recyklovateľných materiálov v súlade s našimi národnými predpismi o životnom prostredí. Nevyhadzujte obalové materiály spolu s domácimi alebo inými odpadmi. Vezmite ich do zberných miest pre obalové materiály určené miestnymi orgánmi.



## 2 Vaša chladnička



1. Polica v dverách chladiacej časti
2. Plniaca nádrž dávkovača vody
3. Časť pre vajíčka
4. Zásobník dávkovača vody
5. Polica pre fľaše
6. Posuvná odkladacia schránka
7. Nastaviteľné nohy
8. Časť hlbokého mrazenia
9. Časť rýchleho mrazenia
10. Zásobník na ľadové kocky a akumulovaný ľad
11. Zásobník na zeleninu
12. Oddelenia Nulového stupňa
13. Vnútorne osvetlenie
14. Sklenená polica v chladiacej časti
15. Tlačidlo pre Nastavenie teploty
16. Chladiaci priestor
17. Mraziaci priestor

**Nemusi byť súčasťou výbavy všetkých modelov**



**\*voliteľné:** Obrázky uvedené v tejto príručke sú uvádzané ako príklad a nemusia sa presne zhodovať s Vaším produktom. Ak váš výrobok neobsahuje príslušné časti, tieto informácie sa vzťahujú na ostatné modely.

## 3 Inštalácia

### 3.1. Správne miesto pre inštaláciu

Pre inštaláciu výrobku sa obráťte na autorizovaný servis. Pre prípravu výrobku pre inštaláciu vyhľadajte informácie v užívateľskej príručke a uistite sa, že sú k dispozícii požadované elektrické a vodovodné nástroje. Ak nie, pre usporiadanie týchto nástrojov podľa potreby sa obráťte na elektrikára a vodoinštalatéra.



**VAROVANIE:** Výrobca nenesie žiadnu zodpovednosť za škodu spôsobenú prácou vykonanou neoprávnenými osobami.



**VAROVANIE:** V priebehu inštalácie musí byť napájací kábel tohto výrobku odpojený. Ak tak neurobíte, môže to mať za následok smrť alebo vážne zranenie!



**VAROVANIE:** Ak je rozpätie dverí príliš úzke pre prenesenie výrobku, odmontujte dvere a otočte produkt na bok, ak to nefunguje, obráťte sa na autorizovaný servis.

- Pre zabránenie vibráciám umiestnite výrobok na rovný povrch.
- Umiestnite výrobok aspoň 30 cm od radiátorov, pecí a podobných tepelných zdrojov a aspoň 5 cm od elektrických rúr.
- Nevystavujte výrobok priamemu slnečnému žiareniu alebo ho neoponechávajte vo vlhkom prostredí.
- Výrobok pre svoje efektívne fungovanie vyžaduje dostatočnú cirkuláciu vzduchu.
- Pokiaľ bude výrobok umiestnený vo výklenku, nezabudnite nechať najmenej 5 cm odstup medzi produktom, stropom a stenami.
- Neinštalujte výrobok v prostredí s teplotami pod  $-5^{\circ}\text{C}$ .

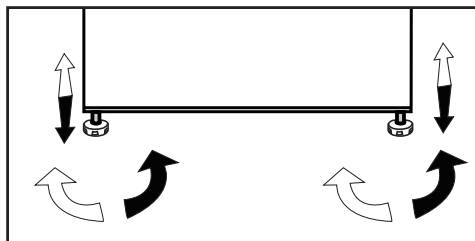
### 3.2. Pripojenie plastových klinov

Použite plastové kliny dodané s produktom pre zabezpečenie dostatočného priestoru pre cirkuláciu vzduchu medzi výrobkom a stenou.




1. Ak chcete pripojiť kliny, odstráňte skrutky na výrobku a použite skrutky dodané s klinmi.
2. Pripevnite 2 plastové kliny na kryt vetrania ako sú zobrazené na obrázku.

### 3.3. Nastavenie stojanov


Ak výrobok nie je v rovnovážnej polohe, nastavte predné nastaviteľné stojany ich otáčaním smerom doprava alebo doľava.



### 3.4. Pripojenie napájania

	<b>VAROVANIE:</b> Pre napájanie nepoužívajte rozšírené alebo združené zásuvky.
	<b>VAROVANIE:</b> Poškodený napájací kábel musí byť vymenený autorizovaným servisom.
	Pri umiestnení dvoch chladničiek v príľahlej pozícii, medzi dvoma jednotkami nechajte vzdialenosť najmenej 4 cm.

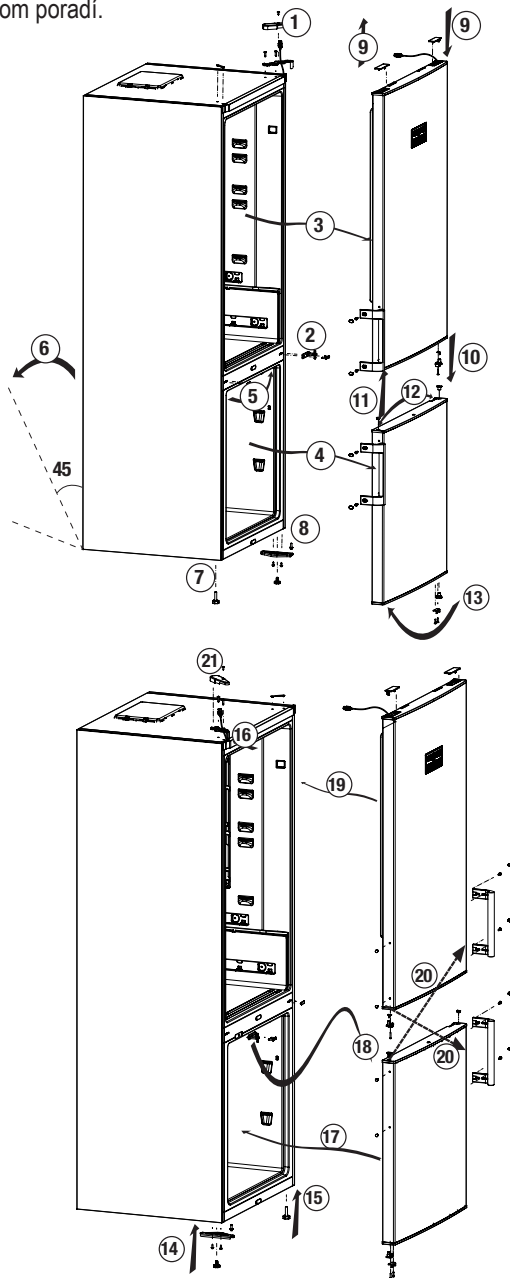
- Naša spoločnosť nenesie zodpovednosť za prípadné škody vzniknuté v dôsledku použitia bez uzemnenia a pripojenia napájania v nesúlade s vnútroštátnymi predpismi.
- Zásuvka napájacieho kábla musí byť ľahko prístupná aj po inštalácii.
- Medzi zásuvkou a chladničkou nepoužívajte rozvojku alebo predlžovací kábel.

	Výstraha pred horúcim povrchom Bočné steny vášho produktu sú vybavené chladivovým potrubím pre zlepšenie chladiaceho systému. Cez tieto oblasti môže prúdiť chladivo s vysokými teplotami, čo vedie k horúcim povrchom bočných stien. To je normálne a nepotrebuje žiadnu opravu. Dbajte na to, keď sa dotýkate týchto oblastí.
--	--

## Inštalácia

### 3.5. Obrátenie dverí

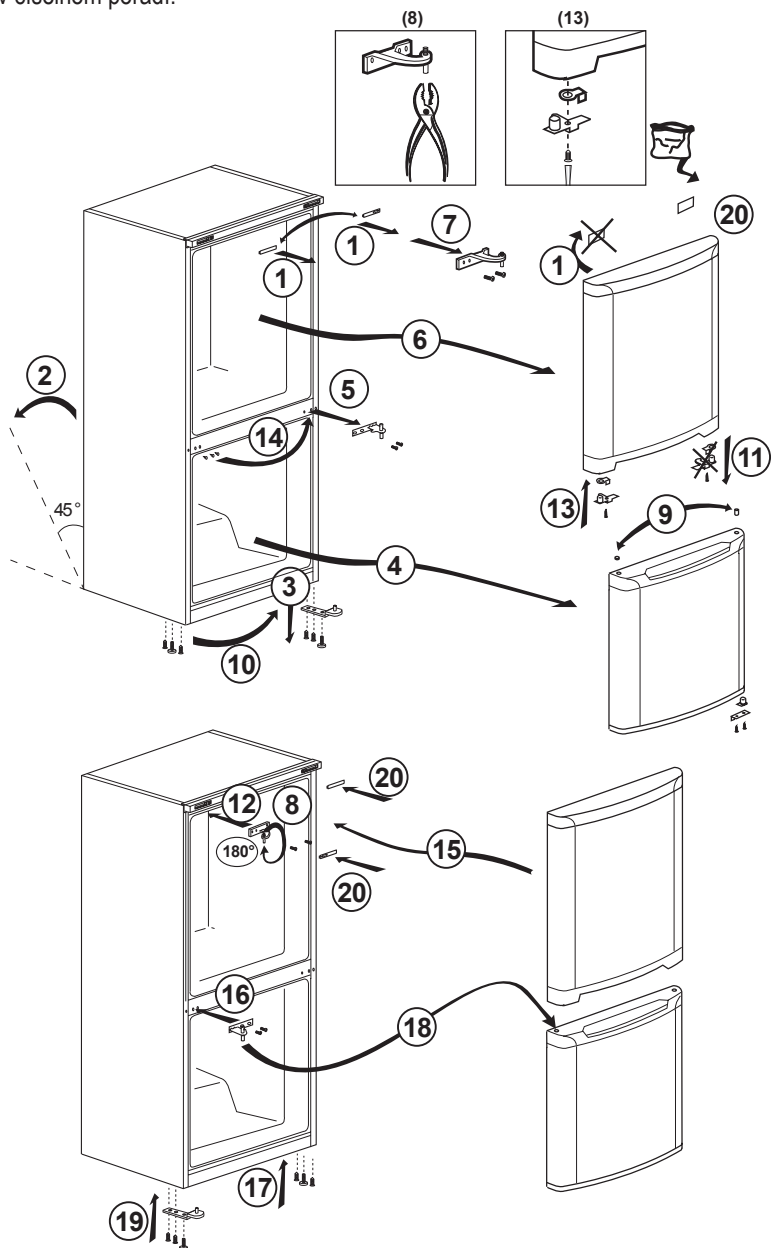
Postupujte v číselnom poradí.



## Inštalácia

### 3.6. Obrátenie dverí

Postupujte v číselnom poradí.



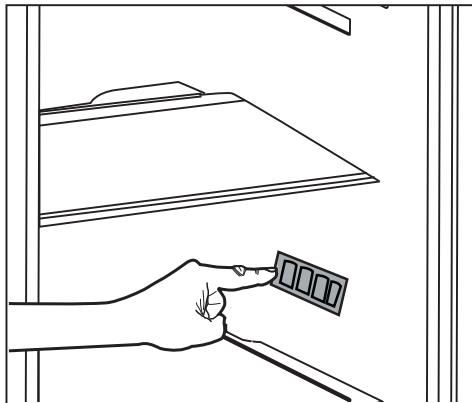
### 4.1. Čo urobiť pre úsporu energie



Prípojenie výrobku k elektronickým systémom pre úsporu energie je škodlivé, pretože môže dôjsť k poškodeniu výrobku.

- Nenechávajte dvere chladničky otvorené po dlhšiu dobu.
- Nevkladajte do chladničky horúce potraviny alebo nápoje.
- Nepreplňujte chladničku; blokovanie vnútorného toku vzduchu zníži chladiacu kapacitu.
- Aby ste mohli uchovávať maximálne množstvo potravín v chladnejšom priestore vašej chladničky, vyberte hornú zásuvku a položte ju na sklenenú policu. Deklarovaná spotreba energie chladničky bola určená po vybratí chladiča, zásobníka na ľad a hornej zásuvky, čo umožní vytvoriť maximálny skladovací priestor. Pri skladovaní dôrazne odporúčame použitie spodnej zásuvky. Pre najlepšiu spotrebu energie aktivujte funkciu úspory energie.
- Neblokujte prúdenie vzduchu tým, že umiestnite jedlo pred ventilátor chladiča. Pri umiestnení potravín je potrebné zabezpečiť minimálne 3 cm priestor pred ochrannými mrežami ventilátora.
- V závislosti na funkciách tohto výrobku; rozmrazovanie zmrazených potravín v chladnejšom priestore zaisť úsporu energie a zachovanie kvality potravín.
- Jedlo ukladajte pomocou použitia zásuviek v chladiacom priestore, s cieľom zabezpečenia úspory energie a ochrany potravín v lepších podmienkach.
- Balíky potravín nesmú byť v priamom kontakte s čidlom tepla, nachádzajúceho sa v chladiacom priestore. V prípade ak sa dotýkajú čidla, môže sa zvýšiť spotreba energie zariadenia.

- Uistite sa, že potraviny nie sú v kontakte so snímačom teploty priestoru chladničky popísaného nižšie.



### 4.2. Prvé uvedenie do prevádzky

Pred použitím chladničky sa uistite, že boli vykonané všetky nevyhnutné prípravy v súlade s pokynmi uvedenými v kapitolách "Bezpečnostné pokyny a životné prostredie" a "Inštalácia".

- Nechajte výrobok bežať bez jedla v jeho vnútri po dobu 6 hodín a neotvárajte dvere, ak to nie je nevyhnutné.



Keď sa kompresor zapne, budete počuť zvuk. Je normálne počuť zvuk, aj keď kompresor nie je aktívny, v dôsledku stlačenej kvapaliny a plynov v chladiacom systéme.



Predné hrany produktu sa môžu zahriať. To je normálne. Tieto oblasti sú navrhnuté tak, aby sa zahriali, s cieľom zabránenia kondenzácie.



Pri niektorých modeloch sa panel indikátora automaticky vypne po 5 minútach po zatvorení dverí. Znovu sa aktivujú keď sa dvere otvoria alebo po stlačení tlačidla.

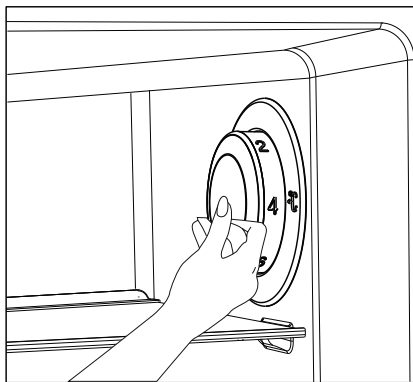
### 5.1. Tlačidlo pre Nastavenie teploty

Vnútrotná teplota chladničky sa môže meniť z nasledujúcich dôvodov:

- Sezónne teploty,
- Časté otváranie dverí a ponechanie ich v otvorenom stave po dlhšiu dobu.
- Uloženie jedál do chladničky bez ich vychladnutia na izbovú teplotu.
- Umiestnenie chladničky v miestnosti (napr. vystavenie slnečnému žiareniu).
- Vnútrotnú zmenu teploty v dôsledku týchto faktorov je možné upraviť pomocou tlačidla pre nastavenie.

Čísla okolo tlačidla pre nastavenie uvádzajú teplotné stupne v "°C".

Ak je okolitá teplota 20 °C, odporúčame používať nastavenie teploty chladničky na teplotu 4 °C. V prípade iných teplotách je možné túto hodnotu prispôsobiť.

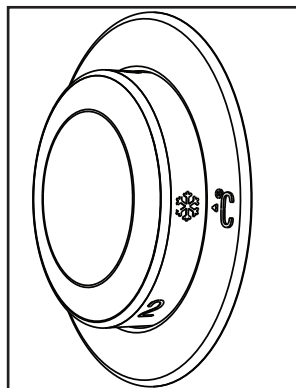


### 5.2. Rýchle zmrazovanie

Ak chcete zmraziť veľké množstvo čerstvých potravín, pred uložením potravín do rýchleho mraziaceho boxu prepnete tlačidlo pre nastavenie teploty (❄️).

Odporúča sa ponechať tlačidlo v tejto polohe po dobu 24 hodín pre zmrazenie maximálneho množstva potravín, ktoré je uvedené ako kapacita mrazenia. Venujte pozornosť tomu, aby ste pri skladovaní vzájomne nemiešali mrazené a čerstvé potraviny.

Nezabudnite prepnúť tlačidlo pre nastavenie teploty späť do pôvodnej polohy.



**May not be available in all models**

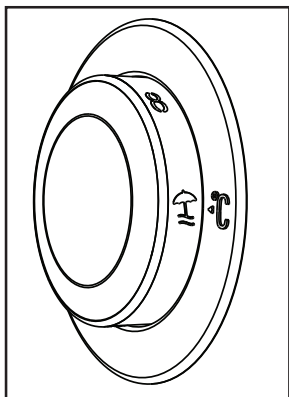
## Tlačidlo pre Nastavenie teploty

### 5.3. Funkcia Dovolenka

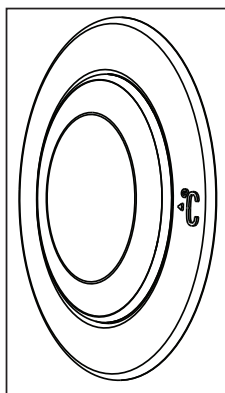
Ak sa dvere výrobku (☒) neotvorí po dobu najmenej 12 hodín po nastavení tlačidla nastavenia teploty na najvyššiu hodnotu, automaticky sa aktivuje funkcia Dovolenka.

Pre zrušenie funkcie je potrebné zmeniť nastavenie tlačidiel.

Keď je aktivovaná funkcia Dovolenka, neodporúča sa skladovať potraviny v chladiacom priestore.

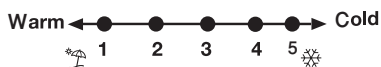


- Po dokončení nastavenia je možné ukryť tlačidlo nastavenia teploty jeho stlačením dovnútra.



### 5.4. Tlačidlo nastavenia termostatu

Prevádzková teplota je regulovaná ovládaním teploty.



1 = Nastavenie najnižšieho chladenia (Najteplejšie nastavenie).

4 = Nastavenie najvyššieho chladenia (Najchladnejšie nastavenie).

Priemerná teplota vo vnútri chladničky by mala byť okolo +5 °C.

Nastavenie zvolte podľa požadovanej teploty.

Uvedomte si, prosím, že v chladiacej oblasti budú odlišné teploty.

Najchladnejšia oblasť sa nachádza hneď nad priečnikom na zeleninu.

Teplota interiéru tiež závisí od teploty okolia, početnosti otvárania dverí a od množstva uložených potravín.

Časté otváranie dverí spôsobuje zvyšovanie vnútornej teploty.

Z tohto dôvodu sa odporúča dvere čím skôr opätovne zatvoriť.

### 5.5. Tlačidlo nastavenia termostatu

Vnútrotná teplota chladničky sa mení z nasledujúcich dôvodov;

- Sezónne teploty,
- Časté otváranie dverí a ponechávanie otvorených dverí po dlhú dobu .
- Jedlo vložené do chladničky bez vychladnutia na izbovú teplotu,
- Umiestnenie chladničky v miestnosti (napr. ak je vystavená slnečnému svetlu).
- Z týchto dôvodov môžete zmeniť vnútrotnú teplotu pomocou termostatu.
- Čísla okolo tlačidla termostatu označujú stupne chladenia.



## Tlačidlo pre Nastavenie teploty

- Ak je okolitá teplota vyššia než 32 °C, otočte tlačidlo termostatu do maximálnej polohy.
- Ak je okolitá teplota nižšia než 25 °C, otočte tlačidlo termostatu do minimálnej polohy.

## 5.6. Odmrazovanie

### Chladiaci priestor

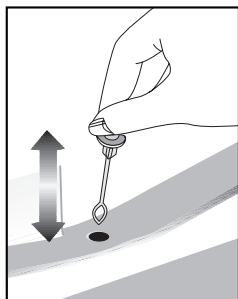
V priestore chladničky dochádza k plne automatickému odmraveniu. Kým sa priestor v chladničke ochladzuje, môžu sa vo vnútri chladničky objaviť vodné kvapky a námraza do veľkosti 7 – 8 mm. Takýto jav je normálny výsledok chladiaceho systému. Vytvorená námraza sa automaticky odstraňuje pri automatickom odmravení po určitých intervaloch vďaka automatickému odmravovaciemu systému v zadnej stene. Používateľ nemusí zoškrabovať námrazu alebo odstraňovať kvapky vody.

Voda pochádzajúca z odmravovania odtečie zo zberača vody do odparovača odkvapovou rúrou, kde sa sama odparí.

Priečinok hlbokého zmrazenia nevykonáva automatické odmravovanie, kvôli zabráneniu rozkladu zmrazeného jedla.

Priestor mrazničky rozmrazuje automaticky.

Pravidelne kontrolujte, či sa vypúšťací otvor neupcháva a vyčistite ho tyčkou v otvore, ak je to potrebné.

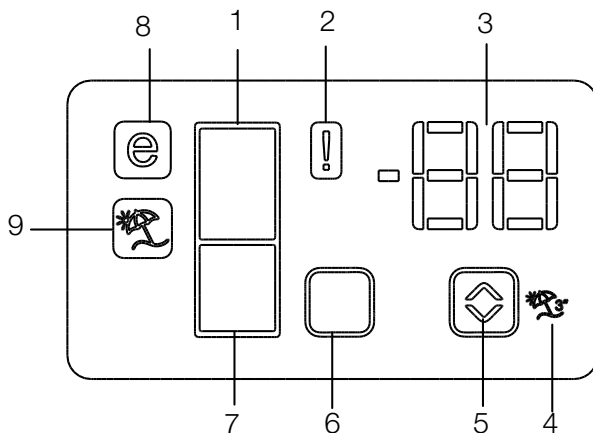


## Tlačidlo pre Nastavenie teploty

### 5.7. Indikačný panel

Indikačné panely sa môžu líšiť v závislosti od typu modelu.

Pri používaní vášho produktu vám pomôžu audio - vizuálne funkcie, nachádzajúce sa na indikačnom paneli.



1. Indikátor Chladiaceho oddielu
2. Indikátor Poruchového stavu
3. Indikátor teploty
4. Tlačidlo funkcie Dovolenka
5. Tlačidlo pre Nastavenie teploty
6. Tlačidlo pre voľbu Chladiaceho priestoru
7. Indikátor Mraziaceho priestoru
8. Indikátor Ekonomického režimu
9. Indikátor funkcie Dovolenka

**\*voliteľné**



**\*Voliteľné:** Údaje uvedené v tejto používateľskej príručke sú určené ako koncepty a nemusia byť v dokonalom súlade s Vaším výrobkom. Ak váš výrobok neobsahuje príslušné časti, tieto informácie sa vzťahujú na ostatné modely.

## Tlačidlo pre Nastavenie teploty

### 1. Indikátor chladiaceho oddielu

Pri nastavovaní teploty chladiaceho priestoru bude svetlo chladničky svietiť.

### 2. Indikátor Poruchového stavu

Tento indikátor sa aktivuje, ak vaša chladnička dostatočne nechladí alebo v prípade poruchy snímača. Keď je tento indikátor aktivovaný, na indikátore teploty mrazničky sa zobrazí písmeno "E" a na ukazovateli teploty chladničky sa zobrazia čísllice, ako napríklad "1,2,3 ...". Tieto čísla na ukazovateli slúžia na informovanie servisného personálu o poruche.

### 3. Indikátor teploty

Označuje teplotu mraziaceho a chladiaceho priestoru.

### 4. Tlačidlo funkcie Dovoľenka

Pre aktiváciu tejto funkcie stlačte tlačidlo Dovoľenka po dobu 3 sekúnd. Ak je aktivovaná funkcia Dovoľenka, na ukazovateli teploty chladničky sa zobrazí "- -" a v časti chladničky nebude aktívne chladenie. Keď je táto funkcia aktívna, neodporúča sa skladovať potraviny v chladiacom priestore. Ostatné časti budú naďalej ochladzovať v súlade s ich nastavenou teplotou.

Pre zrušenie tejto funkcie znova stlačte tlačidlo Dovoľenka.

### 5. Tlačidlo pre Nastavenie teploty

Mení teplotu príslušného priestoru medzi  $-24^{\circ}\text{C}$  ...  $-18^{\circ}\text{C}$  a  $8^{\circ}\text{C}$ ... $1^{\circ}\text{C}$ .

### 6. Tlačidlo pre voľbu Chladiaceho priestoru

Tlačidlo pre voľbu: Stlačte tlačidlo pre výber priestoru pre prepínanie medzi oddelením chladničky a mrazničky.

### 7. Indikátor Mraziaceho priestoru

Pri nastavovaní teploty mraziaceho priestoru bude svetlo chladničky svietiť.

### 8. Indikátor Ekonomického režimu

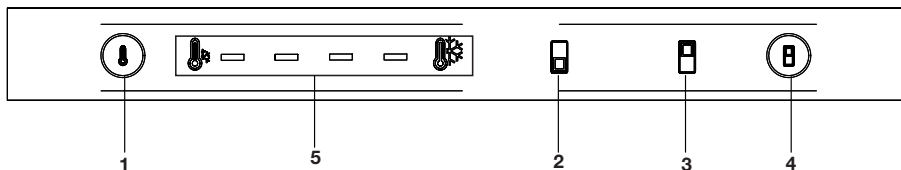
Signalizuje, že chladnička pracuje v úspornom režime. Tento displej sa aktivuje, ak je teplota mrazničky nastavená na  $-18^{\circ}\text{C}$ .

### 9. Indikátor funkcie Dovoľenka

Ukazuje, že je aktivovaná funkcia Dovoľenka.

## Tlačidlo pre Nastavenie teploty

### 5.8. Panel ukazovateľov



1. Tlačidlo pre zmenu hodnoty chladenia: Používa sa na nastavenie hodnoty chladenia chladničky a mrazničky. Ak stlačíte toto tlačidlo, keď je rozsvietený indikátor mrazničky (2), zmení sa chladenie v mrazničke. Ak stlačíte toto tlačidlo, keď je rozsvietený indikátor chladničky (3), zmení sa chladenia v chladničke.
2. Indikátor priečinka mrazničky: Keď je rozsvietený tento indikátor, súčasná hodnota chladenia v priečinku mrazničky sa zobrazí na indikátore chladenia (5). Stlačením tlačidla pre zmenu hodnoty chladenia (1) môžete zmeniť hodnotu chladenia v priečinku mrazničky.
3. Indikátor priečinka chladničky: Keď je rozsvietený tento indikátor, súčasná hodnota chladenia v priečinku chladničky sa zobrazí na indikátore chladenia (5). Stlačením tlačidla pre zmenu hodnoty chladenia (1) môžete zmeniť hodnotu chladenia v priečinku chladničky.
4. Tlačidlo výberu priečinka: Používa sa na prepínanie medzi priečinku chladničky a mrazničky.
5. Indikátor rýchleho chladenia: Zobrazuje sa na ňom hodnota chladenia zvoleného priečinka. Hodnota chladenia sa zväčšuje zľava doprava.

**Nemusí byť súčasťou výbavy všetkých modelov**

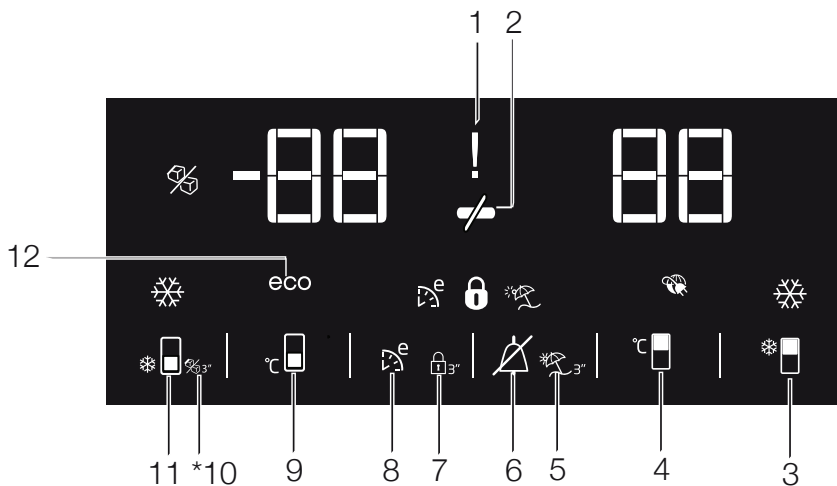


**\*Voliteľné:** Údaje uvedené v tejto používateľskej príručke sú určené ako koncepty a nemusia byť v dokonalom súlade s Vaším výrobkom. Ak váš výrobok neobsahuje príslušné časti, tieto informácie sa vzťahujú na ostatné modely.

## Tlačidlo pre Nastavenie teploty

### 5.9. Indikačný panel

Indikačný panel umožňuje nastaviť teplotu a ovládať ďalšie funkcie produktu bez otvorenia dverok produktu. Pre nastavenie funkcií stačí stlačiť nápisy na príslušných tlačidlách.



#### 1. Indikátor výpadku prúdu / vysokej teploty / poruchy

Tento indikátor (⚡) sa rozsvieti pri výpadku prúdu, vysokoteplotných poruchách a pri varovaní na poruchy. Na digitálnom displeji bud blikať najvyššia teplota, ktorú mraznička dosiahla počas trvalého výpadku napájania. Po kontrole potravín umiestnených v mraziacej časti (🔒), pre zrušenie upozornenia stlačte tlačidlo zrušenia alarmu.

#### 2. Funkcia úspory energie (vypnutý displej):

Ak sú dvere produktu zatvorené dlhú dobu, automaticky sa aktivuje funkcia úspory energie a rozsvieti sa symbol úspory energie.

(🔌) Keď je aktivovaná funkcia úspory energie, vypnú sa všetky symboly na displeji, okrem symbolu úspory energie. Ak je aktivovaná funkcia pre úsporu energie, ak stlačíte akékoľvek tlačidlo alebo otvoríte dvere, funkcia úspory energie sa zruší a symboly na displeji sa vrátia do normálu. Funkcia Úspora energie sa aktivuje pri expedícii z výroby, a nemôže byť zrušená.

#### 3. Funkcia Rýchleho chladenia

Toto tlačidlo má dve funkcie. Ak chcete aktivovať alebo deaktivovať funkciu rýchleho chladenia stlačte toto tlačidlo krátko. Indikátor Rýchleho chladenia sa vypne a produkt sa vráti k normálnemu nastaveniu. (🔌)



**\*Voliteľné:** Údaje uvedené v tejto používateľskej príručke sú určené ako koncepty a nemusia byť v dokonalom súlade s Vaším výrobkom. Ak váš výrobok neobsahuje príslušné časti, tieto informácie sa vzťahujú na ostatné modely.

## Tlačidlo pre Nastavenie teploty



Funkciu rýchleho chladenia použite, keď chcete rýchlo ochladiť potraviny umiestnené v chladničke. Ak chcete ochladiť veľké množstvo čerstvých potravín, aktivujte túto funkciu pred uložením potravín do produktu.



Ak ju nezrušíte, rýchle chladenie sa zruší automaticky po 8 hodinách alebo ak teplota v chladiacej časti klesne na požadovanú teplotu.



Ak opakovane stlačíte tlačidlo rýchleho chladenia s krátkymi intervalmi, aktivuje sa ochrana elektronického obvodu a kompresor sa nespustí okamžite.



Keď sa obnoví dodávka energie po výpadku napájania, táto funkcia sa neobnoví.

### 4. Tlačidlo nastavenia teploty chladiacej časti

Opakovane stlačte toto tlačidlo pre nastavenie teploty chladničky na 8, 7,6, 5,4,3, 2, 8, ..., . Stlačte toto tlačidlo pre nastavenie teploty v chladničke na požadovanú hodnotu. ( )

### 5. Funkcia Dovoľenka

Aby bolo možné aktivovať funkciu Dovoľenka, stlačte toto tlačidlo ( ) po dobu 3 sekúnd, a aktivuje sa indikátor režimu Dovoľenka ( ). Ak je aktivovaná funkcia Dovoľenka, na ukazovateli teploty chladničky sa zobrazí "- -" a v časti chladničky nebude aktívne chladenie. Keď je táto funkcia aktívna, neodporúča sa skladovať potraviny v chladiacom priestore. Ostatné časti budú naďalej ochladzovať v súlade s ich nastavenou teplotou.

Pre zrušenie tejto funkcie znova stlačte tlačidlo funkcie Dovoľenka.

### 6. Zrušenie alarmu:

V prípade alarmu výpadku prúdu/vysokej teploty, po kontrole potravín umiestnených v mraziacej časti ( ), pre zrušenie upozornenia stlačte tlačidlo zrušenia alarmu.

### 7. Zámok tlačidiel

Podržte stlačené tlačidlo Zámku tlačidiel ( ) súvisle po dobu 3 sekúnd. Rozsvieti sa Symbol Uzavretia tlačidiel

( ) a režim Zámku tlačidiel sa aktivuje. Ak je režim Zámok tlačidiel aktívny, tlačidlá nebudú fungovať. Opäť podržte stlačené tlačidlo Zámku tlačidiel ( ) súvisle po dobu 3 sekúnd. Symbol Zámku tlačidiel sa vypne a vypne sa tiež režim zámku tlačidiel.

Ak chcete zabrániť pozmeneniu nastavenia teploty v chladničke ( ), stlačte tlačidlo zámok tlačidiel.

### 8. Eco Fuzzy

Stlačte a podržte tlačidlo Eco Fuzzy po dobu 1 sekundy pre aktiváciu funkcie Eco Fuzzy. Chladnička začne pracovať v najprísnejšom ekonomickom režime najmenej 6 hodín neskôr a keď je funkcia aktívna, rozsvieti sa indikátor ekonomického režimu ( ). Stlačte a podržte tlačidlo Eco Fuzzy po dobu 3 sekúnd pre deaktiváciu funkcie Eco Fuzzy. Tento indikátor sa rozsvieti po 6 hodinách, keď bude funkcia Eco Fuzzy aktivovaná.

### 9. Tlačidlo nastavenia teploty mraziacej časti

Opakovane stlačte toto tlačidlo pre nastavenie teploty mrazničky na -18, -19, -20, -21, -22, -18, ..., . Stlačte toto tlačidlo pre nastavenie teploty v mrazničke na požadovanú hodnotu. ( )

## Tlačidlo pre Nastavenie teploty

### 10. Indikátor vypnutia Výrobníka ľadu Icematic

Označuje, či je Výrobník ľadu Icematic zapnutý alebo vypnutý. (☞) Ak svieti, výrobnik ľadu Icematic nie je v prevádzke. Pre opätovné spustenie výrobníka ľadu Icematic stlačte a podržte tlačidlo Zapnutia-Vypnutia po dobu 3 sekundy.



Ak je táto funkcia zvolená, prietok vody z vodnej nádrže sa zastaví. Avšak, ľad ktorý bol vyrobený predtým, je možné z výrobníka ľadu Icematic vybrať.

### 11. Tlačidlo Rýchleho mrazenia/ Tlačidlo Vypnutia-Zapnutia výrobníka ľadu Icematic

Stlačte toto tlačidlo pre aktiváciu alebo deaktiváciu funkcie rýchleho zmrazenia. Pri aktivácii tejto funkcie sa mrazničky ochladí na teplotu nižšiu, ako je nastavená hodnota. (☞) Pre zapnutie a vypnutie výrobníka ľadu Icematic ho stlačte a podržte po dobu 3 sekúnd.



Funkciu rýchleho mrazenia použite, keď chcete rýchlo zmraziť potraviny umiestnené v mrazničke. Ak chcete zmraziť veľké množstvo čerstvých potravín, aktivujte túto funkciu pred uložením potravín do produktu.



Ak ju nezrušíte, rýchle mrazenie sa zruší automaticky po 4 hodinách alebo ak teplota v mrazničke klesne na požadovanú teplotu.



Keď sa obnoví dodávka energie po výpadku napájania, táto funkcia sa neobnoví.

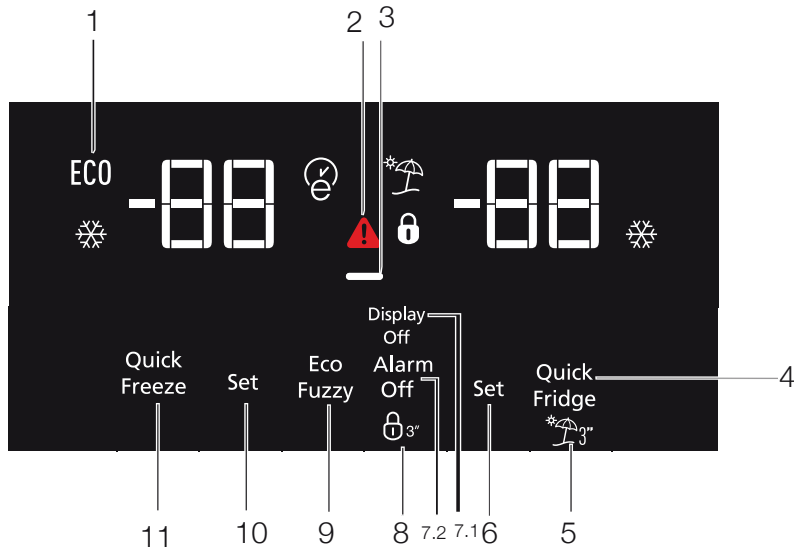
### 12. Indikátor ekonomického využitia

Označuje ak produkt beží v režime úspory energie. (eco) Tento ukazovateľ bude aktívny, keď je teplota mrazničky nastavená na -18 alebo je energeticky úsporné chladenie zapnuté prostredníctvom funkcie Eco-Extra.



Indikátor ekonomického použitia sa vypne, keď je zvolená funkcia rýchleho chladenia alebo rýchleho zmrazovania.

## Tlačidlo pre Nastavenie teploty



1. Ekonomické použitie
2. Alarm Vysoká teplota / Závada
3. Funkcia úspory energie (vypnutie displeja)
4. Rýchle chladenie
5. Funkcia Dovolenka
6. Nastavenie teploty v priestore chladničky
7. Úspora energie (vypnutie displeja) / Vypnutie alarmu
8. Zámok tlačidiel
9. Eco-fuzzy
10. Nastavenie teploty v priestore mrazničky
11. Rýchle mrazenie



**\*Voliteľné:** Údaje uvedené v tejto používateľskej príručke sú určené ako koncepty a nemusia byť v dokonalom súlade s Vaším výrobkom. Ak váš výrobok neobsahuje príslušné časti, tieto informácie sa vzťahujú na ostatné modely.




## Tlačidlo pre Nastavenie teploty

### 1. Ekonomické použitie

áto značka sa rozsvieti ak je teplota v priestore mrazničky nastavená na  $-18^{\circ}\text{C}$ , najúspornejší nastavenie. (ECO) Keď je vybraná funkcia rýchleho chladenia alebo rýchleho mrazenia, kontrolka ekonomického použitia zhasne.

### 2. Kontrolka výpadku napájania / vysokej teploty / výstrahy na vysokú teplotu / chybu:

Táto kontrolka () sa rozsvieti v prípade zlyhania teploty alebo spustenie chybových alarmov.


Táto kontrolka sa rozsvieti počas výpadku napájania, pri zlyhaní pri vysokých teplotách a upozornení na chybu. Počas pretrvávajúcej výpadkov napájania sa najvyššia teplota, ktoré mraznička dosiahne, rozblíka na digitálnom displeji. Po kontrole potravín v mrazničke stlačte tlačidlo vypnutia alarmu a upozornenie vymažte.

### 3. Funkcia úspory energie (vypnutie displeja)

Ak sú dvere produktu ponechané zatvorené dlhú dobu, automaticky sa aktivuje funkcia úspory energie a rozsvieti sa príslušný symbol. Keď je funkcia úspora energie aktívna, všetky ostatné symboly na displeji zhasnú. Keď je aktivovaná funkcia úspory energie, ak stlačíte akékoľvek tlačidlo alebo otvorte dvierka, režim úspory energie sa ukončí a ikony na displeji sa vrátia do normálu.


Funkcia úspory energie sa aktivuje počas doručenia z továrne a nemožno ju zrušiť.

### 4. Rýchle chladenie

Keď sa zapne funkcia rýchleho chladenia, rozsvieti sa kontrolka rýchleho chladenia () a na kontrolke teploty v priestore mrazničky sa zobrazí hodnota 1. Ďalším stlačením tlačidla rýchleho chladenia túto funkciu zrušíte.

Ukazovateľ rýchleho chladenia zhasne a vráti sa na normálne nastavenie. Funkcia rýchleho chladenia sa automaticky zruší po uplynutí 1 hodiny, ak nie je zrušená užívateľom. Pri chladení veľkého množstva čerstvých potravín stlačte tlačidlo rýchleho chladenia ešte než potraviny do chladničky vložíte.


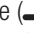

### 5. Funkcia Dovolenka

Pre aktiváciu funkcie Dovolenka stlačte na 3 sekundy tlačidlo rýchleho chladenia; to aktivuje kontrolku režimu Dovolenka (). Keď sa aktivuje funkcia Dovolenka, kontrolka teploty v priestore chladničky zobrazí popis "- " a v priestore chladenia sa neaktivuje žiadny proces chladenia. Táto funkcia nie je vhodná na uchovávanie potravín v priestore chladničky. Ostatné priestory zostanú vychladené na zodpovedajúce nastavenú teplotu. Ak chcete túto funkciu zrušiť, znova stlačte tlačidlo tejto funkcie.

### 6. Nastavenie teploty v priestore chladničky

Po stlačení tlačidla je možné teplotu v priestore chladničky nastaviť na 8,7,6,5,4,3,2 a 1.

#### 7.1 Úspora energie (vypnutie displeja)

Stlačenie tohto tlačidla () rozsvieti značku úspory energie () a aktivuje sa funkcia úspory energie. Aktivácia funkcie úspory energie vypne všetky ďalšie značky na displeji. Ak je aktívna funkcia úspory energie, stlačenie ľubovoľného tlačidla alebo otvorenie dverí funkciu úspory energie deaktivuje a signály na displeji sa vrátia do normálneho nastavenia. Opakované stlačenie tohto tlačidla () zhasne značku úspory energie a funkcie úspory energie sa deaktivuje.

#### 7.2 Vypnutie alarmu

V prípade upozornenia na výpadok napájania, vysokú teplotu, po kontrole potravín v

## Tlačidlo pre Nastavenie teploty

mrazničke stlačte tlačidlo vypnutia alarmu a varovanie vymažte.

### 8. zámok tlačidiel

Súčasne stlačte tlačidlo vypnutie displeja, po dobu 3 sekúnd. Rozsvieti sa značka zámku tlačidiel a zámok tlačidiel sa aktivuje; tlačidlá budú neaktívne do deaktivácie zámku tlačidiel. Tlačidlo vypnutia displeja znova stlačte po dobu 3 sekúnd. Značka zámku zhasne a režim zámku tlačidiel bude deaktivovaný. Aby ste predišli zmene nastavenia teploty chladničky, stlačte tlačidlo vypnutia displeja.

### 9. Eco-fuzzy

Ak chcete zapnúť funkciu Eco-fuzzy, na 1 sekundu stlačte a podržte tlačidlo Eco-fuzzy. Ak je táto funkcia aktívna, mraznička sa prepne do úsporného režimu minimálne po 6 hodinách a rozsvieti sa kontrolka ekonomického použitia.

Ak chcete funkciu Eco-fuzzy (E) deaktivovať, na 3 sekundy stlačte a podržte tlačidlo funkcie Eco-fuzzy.

Keď je aktivovaná funkcia Eco-fuzzy, kontrolka sa rozsvieti po uplynutí 6 hodín.

### 10. Nastavenie teploty v priestore mrazničky

Teplota v priestore mrazničky je nastaviteľná. Stlačenie tlačidla aktivuje možnosť nastavenia teploty v priestore mrazničky na -18, -19, -20, -21, -22, -23 a -24.

### 11. Rýchle mrazenie

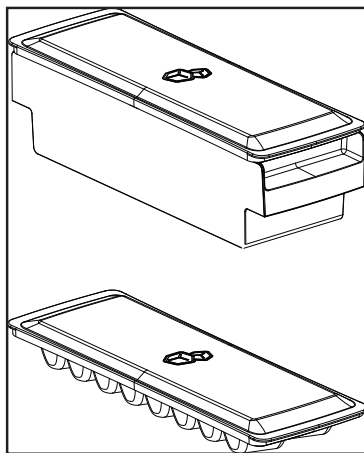
Rýchle mrazenie spustíte stlačením tlačidla; potom sa rozsvieti kontrolka rýchleho mrazenia (❄).

Keď sa zapne funkcia rýchleho chladenia, rozsvieti sa kontrolka rýchleho mrazenia a na kontrolke teploty v priestore mrazničky sa zobrazí hodnota -27. Túto funkciu zrušíte opakovaným stláčaním tlačidla Rýchle mrazenie (❄). Ukazovateľ rýchleho mrazenia zhasne a vráti sa na normálne nastavenie. Funkcia rýchleho mrazenia sa automaticky zruší po uplynutí 24 hodín, ak nie je zrušená užívateľom. Pri mrazení veľkého množstva čerstvých potravín stlačte tlačidlo rýchleho mrazenia ešte než potraviny do mrazničky vložíte.

### 5.10. Zásobník na ľad

#### (Voliteľné)

- Vyberte von nádobu na ľad z mrazničky.
- Naplňte nádobu na ľad vodou.
- Vložte nádobu na ľad do mrazničky.
- Ľad bude pripravený asi po dvoch hodinách. Vezmite nádobu na ľad z mrazničky a opatrne ju ohnite nad držiakom, ktorý budete podávať. Ľad ľahko vypadne do servirovacieho držiaka.



## Tlačidlo pre Nastavenie teploty

### 5.11. Držiak na vajička

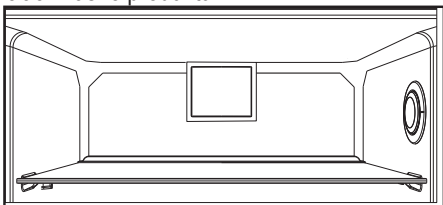
Držiak na vajička môžete ľubovoľne umiestniť na držiak vo dverách alebo v chladničke. Ak ste sa rozhodli dať ju na držiak v chladničke, odporúčame, aby ste použili nižšie police, nakoľko sú chladnejšie.



Nedávajte držiak na vajička do mrazničky.

### 5.12. Ventilátor

Ventilátor bol navrhnutý tak, aby zabezpečil cirkuláciu chladného vzduchu vo vnútri chladničky homogénne. Prevádzková doba ventilátora sa môže líšiť v závislosti na funkciách vášho produktu.



### 5.13. Zásobník na zeleninu

**(Voliteľné)**

Zásobník na zeleninu produktu je navrhnutý tak, aby zelenina zostala čerstvá pri zachovaní svojej vlhkosti. Za týmto účelom je celková cirkulácia chladného vzduchu v zásobníku na zeleninu intenzívnejšia.

### 5.14. Oddelenia Nulového stupňa

**(Voliteľné)**

Použite tento priestor pre udržanie lahôdok alebo mäsových výrobkov na okamžitú spotrebu pri nižších teplotách.

Oddelenia Nulového stupňa je najlepšie miesto, kde môžu byť uložené v ideálnych podmienkach skladovania potravy, ako sú mliečne výrobky, mäso, ryby a kurča. Neskladujte zeleninu a/alebo ovocie v tomto priestore.

### 5.15. Pohyblivý stojan vo dverách

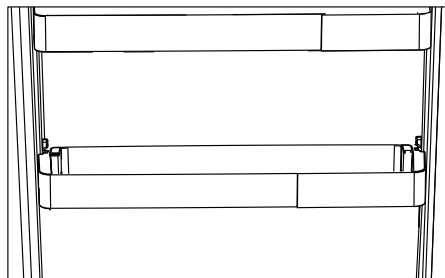
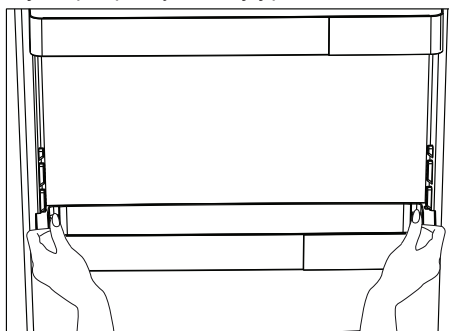
**(Voliteľné)**

Pohyblivý stojan vo dverách je možné upevniť do 3 rôznych polôh.

Pre presun stojana, rovnomerne stlačte bočné tlačidlá. So stojanom bude možné pohybovať.

Posuňte stojan smerom nahor alebo nadol.

Keď je stojan v požadovanej pozícii, uvoľnite tlačidlá. Po uvoľnení tlačidiel bude stojan opäť pevný na svojej pozícii.



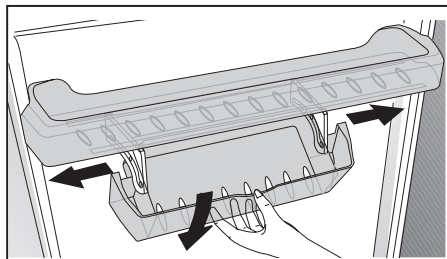
## Tlačidlo pre Nastavenie teploty

### 5.16. Posuvná odkladacia schránka

#### (Voliteľné)

Tento doplnok bol navrhnutý pre zvýšenie objemu využitia dverných stojanov.

Vďaka svojej schopnosti pohybovania sa do strán, vám umožní ľahko umiestniť dlhé fľaše, poháre alebo krabice, ktoré ste vložili do poličky pre fľaše nižšie.



### 5.17. Dezodorizačný modul

#### (FreshGuard)

#### (Voliteľné)

Dezodorizačným modulom sa rýchlo odstraňujú zápachy vo vašej chladničke skôr, ako preniknú do povrchov. Vďaka tomuto modulu, ktorý sa nachádza na stope priehradky na čerstvé potraviny, sa zápachy rozptýlia počas aktívneho presúvania vzduchu do zápachového filtra, potom sa vzduch prečistený filtrom opätovne vypúšťa do priehradky na čerstvé potraviny. Takto sa nežiaduce zápachy, ktoré môžu vzniknúť počas uskladnenia potravín v chladničke, odstraňujú skôr, ako preniknú do povrchov.

Dosahuje sa to vďaka ventilátoru, LED a pachovému filtru, ktoré sú zabudované v module. Pri dennom používaní sa dezodorizačný modul bude pravidelne automaticky spúšťať. Na zachovanie účinnosti sa odporúča dať si filter v dezodorizačnom module vymeniť autorizovaným servisným technikom každých 5 rokov. V dôsledku zabudovania ventilátora do modulu je zvuk, ktorý počuť pri prevádzke, bežný. Ak otvoríte dverka priehradky na čerstvé potraviny,

keď je modul v činnosti, ventilátor sa dočasne zastaví a po istom čase bude pokračovať, kde prestal, po opätovnom zatvorení dveriek. V prípade výpadku prúdu bude dezodorizačný modul pokračovať, kde prestal počas trvania celkovej prevádzky, po obnovení napájania. Informácia: Aromatické potraviny (napr. syr, olivy a lahôdky) sa odporúča uchovávať v ich balení a uzavreté, aby sa zamedzilo zápachom, ktoré môžu vzniknúť v dôsledku zmiešania pachov rôznych potravín. Okrem toho sa odporúča pokazené potraviny bezodkladne vybrať z chladničky, aby sa zabránilo pokazeniu ostatných potravín a zamedzilo zápachu.

## Tlačidlo pre Nastavenie teploty

### 5.18. Používanie druhého priečinka na zeleninu a ovocie;



**Obrázok 1.**

V druhom priečniku na zeleninu a ovocie na modeli K70560 sú 2 zarážky.



**Obrázok 2.**

Druhý priečnik vyzerá ako na Obrázku 2, keď je zatvorený.



**Obrázok 3.**

Otvorte dvere do uhla 90° a vytiahnite druhý priečnik na zeleninu a ovocie až po prvú zarážku, ako je znázornené na Obrázku 3.

V prípade, že je zásuvka viac otvorená, najprv otvorte dvere do uhla aspoň 135°.



Potom nadvihnite druhý priečnik na zeleninu a ovocie asi o 5 mm, takže sa uvoľní z prvej zarážky (ako je znázornené na Obrázku 4).



**Obrázok 4.**

Po nadvihnutí vytiahnite druhú zásuvku až po druhú zarážku, ako je znázornené na Obrázku 5.

**Obrázok 5.**

## Tlačidlo pre Nastavenie teploty

### 5.19. Zásobník na zeleninu s kontrolou vlhkosti

#### (Voliteľné)

Pomocou funkcie regulácie vlhkosti je vlhkosť zeleniny a ovocia pod kontrolou a zabezpečí sa tým dlhšia doba čerstvosti potravín.

Ako je to možné, odporúča sa skladovať listovú zeleninu, ako je hlávkový šalát a špenát a podobné zeleniny, náchylné na stratu vlhkosti nie na svojich koreňoch, ale vo vodorovnej polohe v zeleninovom koši.

Pri umiestňovaní zeleniny, uložte ťažkú a tvrdú zeleninu na dno a ľahkú a mäkkú na vrchol, s prihliadnutím na špecifické hmotnosti zeleniny.

Nenechávajte zeleninu na zásobníku v igelitových sáčkoch. Ponechanie v igelitových sáčkoch spôsobí, že zelenina zhnije v krátkej dobe. V situáciách, kde kontakt s ostatnou zeleninou nie je vhodný, použite obalový materiál, ako je papier, ktorý má určitú pórovitosť v súlade s hygienou.

Nedávajte plody, ktoré majú vysokú produkciu plynu etylénu, ako sú hrušky, marhule, broskyne a najmä jablká do spoločného zeleninového zásobníka s inou zeleninou a ovocím. Plyn etylén vychádzajúci z týchto plodov môže spôsobiť, že ostatná zelenina a ovocie budú zrieť rýchlejšie a začnú hniť v kratšom časovom období.

### 5.20. Automatický výrobnik ľadu (Voliteľné)

Automat ľad vám umožní ľahko vytvoriť ľad v chladničke. Za účelom získania ľadu z výrobníka ľadu, vyberte nádržku na vodu z chladiaceho priestoru, naplňte ju vodou a dajte ju naspäť.

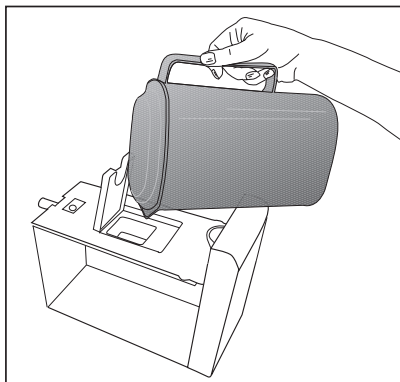
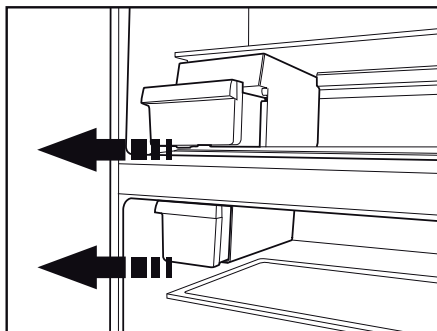
Prvý ľad bude vo výrobníku ľadu pripravený asi za 2 hodiny v chladiacom priestore.

Po umiestnení plnej vodnej nádrže, kým sa úplne nevyprázdni, môžete získať asi 60-70 kociek ľadu.

V prípade, že voda v nádrži bola dlhšie ako 2-3 týždne, vymeňte ju.



Pri produktoch s automatickým výrobníkom ľadu, pri výrobe ľadu môžete počuť zvuk. Tento zvuk je normálny a nie je známkou poruchy.



## Tlačidlo pre Nastavenie teploty

### 5.21. Icematic a držiak na skladovanie ľadu

\*voliteľné

#### Používanie výrobníka ľadu Icematic

Naplňte výrobník ľadu Icematic vodou a umiestnite ho na jeho miesto. Váš ľad bude pripravený asi po dvoch hodinách. Pre vybratie ľadu neodstraňujte Icematic z jeho miesta.

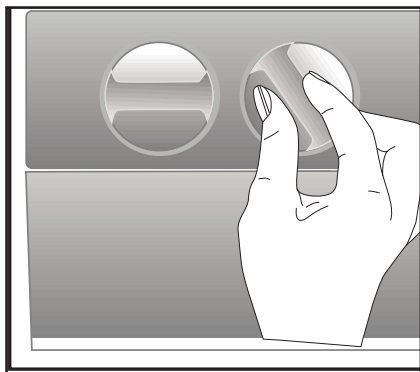
Otočte gombík na ľadovom zásobníku v smere hodinových ručičiek o 90 stupňov. Ľadové kocky v nádrži spadnú dolu do nižšie umiestneného držiaku ľadu.

Následne môžete vybrať držiak ľadu a podávať ľadové kocky.

Ak chcete, ľadové kocky môžete skladovať aj v držiaku na ľad.

#### Držiak na skladovanie ľadu

Držiak na skladovanie ľadu je určený len pre zbieranie kociek ľadu. Nedávajte do neho vodu. V opačnom prípade sa zlomí.



### 5.22. Používanie dávkovača na vodu

\*voliteľné



Je normálne, že prvých niekoľko pohárov vody odobraných z dávkovača vody bude obvykle teplých.

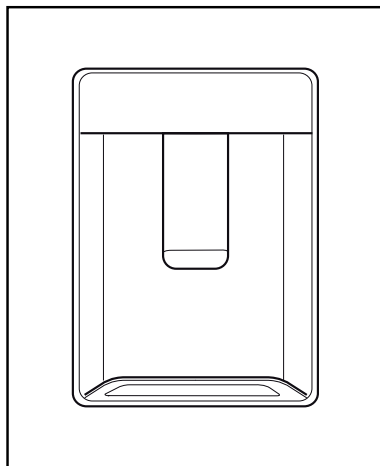


Ak sa dávkovač vody nepoužíval dlhšiu dobu, aby ste získali čistú vodu, prvé poháre vody vylejte.

1. Zatláčte pohárom o páku dávkovača vody. Ak používate mäkký plastový téglik, bude jednoduchšie páku stlačiť rukou.
2. Po naplnení pohára po požadovanú úroveň, uvoľnite páku.



Upozorňujeme, že z dávkovača vytečie toľko vody, ako ďaleko potlačíte páku. Keď hladina vody vo Vašej šálke / pohári stúpne, jemne znížte množstvo tlaku na páku, aby ste zabránili pretečeniu. Ak páku ľahko stlačíte, bude kvapkať voda; to je úplne normálne a nejde o poruchu.



## Tlačidlo pre Nastavenie teploty

### 5.23. Plnenie nádrže dávkovača na vodu

Plniaca nádrž Vodnej nádrže je umiestnená vo vnútri stojana dverí.

1. Otvorte kryt nádrže.
2. Naplňte nádrž čerstvou pitnou vodou.
3. Zatvorte kryt.



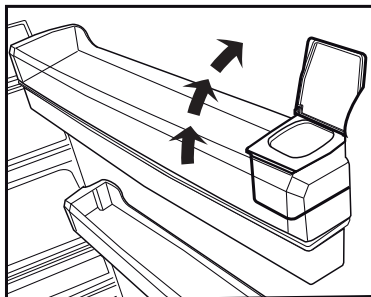
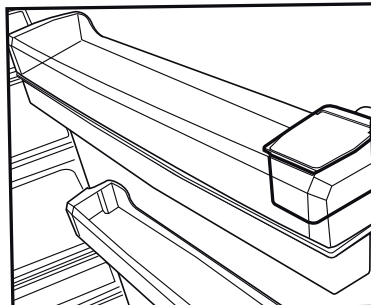
Neplňte nádrž na vodu s inou kvapalinou okrem vody, ako sú napríklad ovocné džúsy, sytené nápoje a alkoholické nápoje, ktoré nie sú vhodné pre použitie v dávkovači vody. V prípade použitia týchto druhov kvapalín sa dávkovač vody nenapraviteľne poškodí. Záruka sa nevzťahuje na takéto použitie. Niektoré chemické látky a prísady obsiahnuté v týchto druhov nápojov / kvapalín môžu poškodiť nádržku na vodu.



Používajte len čistú pitnú vodu.



Kapacita nádrže na vodu je 3 litre; neprepĺňajte ju.





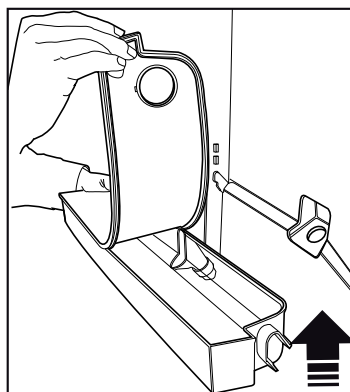
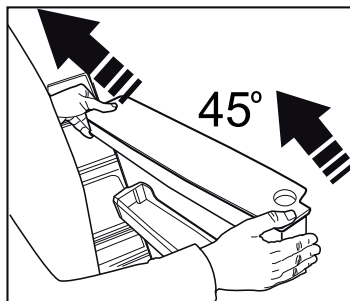
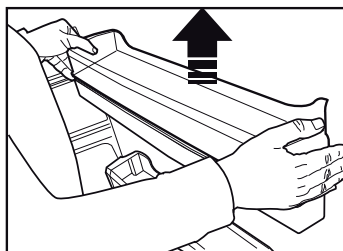
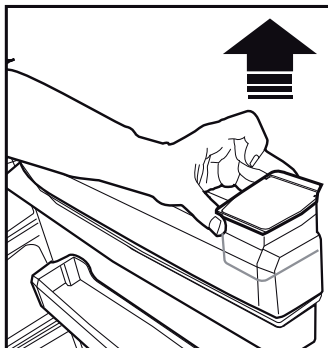
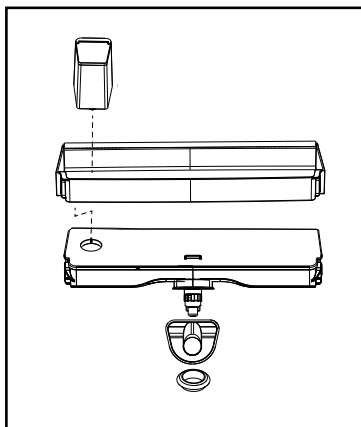
## Tlačidlo pre Nastavenie teploty

### 5.24. Čistenie nádrže na vodu

1. Vyberte nádrž na vodu vo vnútri rámu dverí.
2. Odstráňte rám dverí ich pridržením z oboch strán.
3. Chyťte nádržku na vodu z oboch strán a odstráňte ju pod uhlom 45 ° C.
4. Odstráňte kryt zásobníka na vodu a vyčistite nádrž.



Súčasti nádrže na vodu a dávkovač vody neumývajte v umývačke riadu.



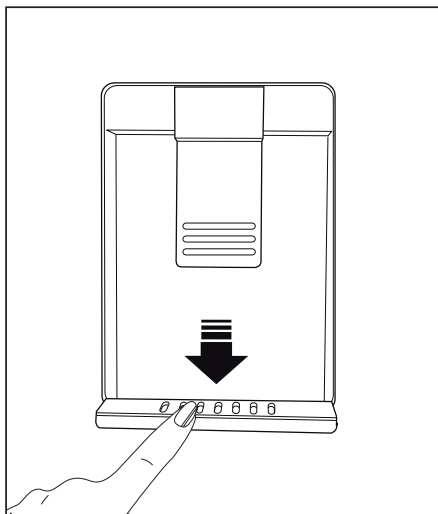
## Tlačidlo pre Nastavenie teploty

### 5.25. Odkvapkávacia miska

Voda, ktorá pri použití dávkovača vody vykvapkala, sa hromadí v odkvapkávacom zásobníku.

Odstráňte plastový filter, ako je znázornené na obrázku.

S čistou a suchou handričkou odstráňte nahromadenú vodu.



### 5.26. HerbBox/HerbFresh

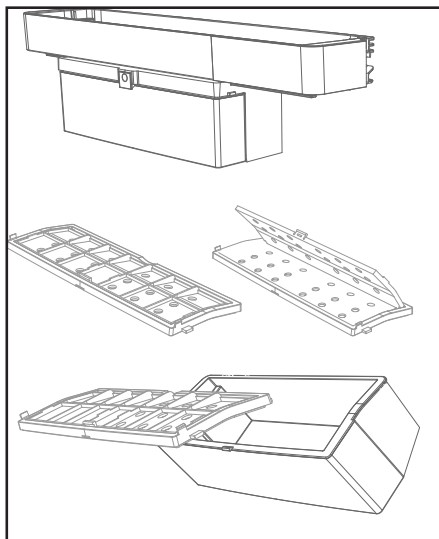
Vyberte filmový zásobník z HerbBox/HerbFresh+

Odstráňte film zo sáčku a vložte ho do filmového zásobníka, ako je znázornené na obrázku.

Opäť zatvorte zásobník a vložte ho späť do jednotky HerbBox/HerbFresh+

Časti HerbBox/HerbFresh+ sú obzvlášť vhodné pre skladovanie rôznych bylín, ktoré majú byť uchovávané v citlivých podmienkach. Môžete ukladať svoje nezabalené bylinky (petržlen, kôpor, atď.) do tejto časti horizontálne a udržať ich čerstvé oveľa dlhšiu dobu.

Film sa nahrádza každých šesť mesiacov.



## Tlačidlo pre Nastavenie teploty

### 5.27. Zmrazovanie čerstvých potravín

- Ak chcete zachovať kvalitu potravín, potraviny umiestnené v mrazničke musia byť zmrazené tak rýchlo, ako je to možné, z toho dôvodu použijete funkciu rýchleho zmrazenia.
- Zmrazenie potravín v čerstvom stave predĺži dobu ich skladovania v mrazničke.
- Zabalte potraviny do vzduchotesných balení a tesne ich uzatvorte.
- Uistite sa, že potraviny sú pred vložením do mrazničky zabalené. Miesto tradičného obalového papiera použijete krabice do mrazničky, staniol a papier odolný proti vlhkosti, igelitové vrecká alebo podobné obalové materiály.



Lad sa v mraziacej časti topí automaticky.

- Pred zmrazením označte každé balenie potravín napísaním dátumu na ich obal. To vám umožní určiť čerstvosť každého balenia pri každom otvorení mrazničky. Udržujte skoršie položky potravín v prednej časti, aby ste zabezpečili, že budú použité ako prvé.
- Zmrazené potraviny musia byť použité ihneď po rozmrazení a nemali by byť znovu zmrazené.
- Nezmrazujte veľké množstvo potravín naraz.

### 5.28. Odporúčania pre skladovanie zmrazených potravín

Chladiaci priestor musí byť nastavený na menej ako  $-18^{\circ}\text{C}$ .

1. Umiestnite potraviny do mrazničky čo najrýchlejšie, aby nedošlo k ich rozmrazeniu.
2. Pred zmrazením skontrolujte položku "Dátum spotreby" na obale, aby ste sa uistili, že ešte nevypršala.
3. Uistite sa, že balenie potravín nie je poškodené.

Nastavenie teploty Mraziaceho priestoru	Nastavenie teploty Chladiaceho priestoru	Podrobnosti
$-18^{\circ}\text{C}$	$4^{\circ}\text{C}$	Toto je predvolené, odporúčané nastavenie.
$-20, -22$ alebo $24^{\circ}\text{C}$	$4^{\circ}\text{C}$	Tieto nastavenia sa odporúčajú pri teplotách okolia nad $30^{\circ}\text{C}$ .
Quick Freeze - Rýchle mrazenie	$4^{\circ}\text{C}$	Použite, keď chcete zmraziť vaše potraviny krátkej dobe. Po ukončení procesu sa produkt vráti do svojej predchádzajúcej pozície.
$-18^{\circ}\text{C}$ alebo nižšie	$2^{\circ}\text{C}$	Použite toto nastavenie, ak si myslíte, že chladiaci priestor nie je dostatočne studený vzhľadom na teplotu prostredia alebo časté otváranie dverí.

## Tlačidlo pre Nastavenie teploty

### 5.29. Podrobnosti o mrazničke

Podľa noriem IEC 62552, mraznička musí mať schopnosť zmraziť 4,5 kg potravín na teplotu -18°C alebo nižšie do 24 hodín na každých 100 litrov objemu mraziaceho priestoru.

Potraviny môžu byť zachované po dlhšiu dobu iba pri teplote do teploty -18°C.

Potraviny môžete udržiavať čerstvé po dobu niekoľkých mesiacov (v mrazničke na alebo pod teplotou -18°C).

Potraviny ktoré majú byť zmrazené nesmú prísť do kontaktu s už zmrazenými potravinami vo vnútri mrazničky z dôvodu zabránenia ich čiastočnému rozmrazeniu.

Zeleninu uvarte a vodu odfiltrujte pre predĺženie doby zmrazeného skladovania.

Po filtrácii dajte jedlo do vzduchotesných balení a umiestnite ho v mrazničke. Banány, paradajky, hlávkový šalát, zeler, varené vajcia, zemiaky a podobné potraviny nezmrazujte.

V opačnom prípade tieto potraviny zhnijú a budú ovplyvnené ich nutričné hodnoty a kvalita jedenia. To, že hniloba ohrozuje aj ľudské zdravie, nie je otáznе.

### 5.30. Umiestnenie jedla

Police v mraziacej časti	Rôzny mrazený tovar ako sú mäso, ryby, zmrzlina, zelenina a pod.
Police v chladiacej časti	Potraviny v hrnci, tanieri a krabice s viečkami, vajcia (v krabiciach s viečkom)
Police v dverách chladiacej časti	Malé a balené potraviny alebo nápoje
Zásobník na zeleninu	Ovocie a zelenina
Časť pre čerstvé potraviny	Lahôdky (potraviny pre raňajky, mäsové výrobky, ktoré majú byť konzumované v krátkej dobe)

### 5.31. Upozornenie na otvorené dvere

#### (Voliteľné)

Ak dvere výrobku zostanú otvorené, po dobu aspoň 1 minúty, zaznie akustické upozornenie. Akustický upozornenie stíchne, keď sú dvere zatvorené alebo po stlačení ľubovoľného tlačidla na displeji (ak je k dispozícii).

Upozornenie na otvorené dvere je indikované užívateľovi tak akusticky, ako aj vizuálne. Ak alarm pokračuje po dobu 10 min, osvetlenie interiéru vypne.

### 5.32. Zmena smeru otvárania dverí

Smer otvárania dverí vašej chladničky môžete zmeniť v závislosti na jej mieste používania.

Keď tak potrebujete urobiť, obráťte sa na najbližší Autorizovaný servis.

Hore uvedené vysvetlenie je všeobecné vyhlásenie. O možnosti zmeny smeru otvárania dverí skontrolujte štítok s upozornením umiestnený vo vnútri obalu.

### 5.33. Vnútorňé osvetlenie

Vo vnútornom osvetlení sa používa LED lampa. V prípade akýchkoľvek problémov s touto lampou sa obráťte na autorizovaný servis.

Lampa/y, použité v tomto zariadení nie je možné použiť pre osvetlenie domu. Účel použitia tohto svetla je pomôcť užívateľovi umiestniť potraviny do chladničky / mrazničky bezpečne a pohodlne.

Pri pravidelnom čistení sa zvýši životnosť výrobku.



**VAROVANIE:** Pred čistením chladničky produkt najprv odpojte z elektrickej siete.

- Na čistenie nikdy nepoužívajte ostré alebo brúsne nástroje, mydlo, domáce čističlá, detergenty a voskové politúry.
- Rozpusťte jednu lyžičku karbonátu v pol litri vody. Namočte handričku do roztoku a dôkladne ju vyžmýkajte. Utrite vnútro spotrebiča s touto látkou a vysušte ho.
- Uistite sa, aby sa o telesa osvetlenia a iných elektrických predmetov nedostala žiadna voda.
- Očistite dvere pomocou vlhkej handričky. Ak chcete odstrániť police vo dverách a hlavné police, odstráňte všetok ich obsah. Vyberte police dverí ich posunutím smerom nahor. Po očistení, k uloženiu ich vložte smerom zhora nadol.
- Pre čistenie vonkajších povrchov a pochrómovaných súčastí výrobku nikdy nepoužívajte čistiace prostriedky ani vodu s obsahom chlóru. Chlór spôsobuje koróziu kovových povrchov.
- Pre zabránenie odstráneniu a deformácii nápisov na plastových dielach, nepoužívajte žiadne ostré, brúsne nástroje, mydlo, čistiace prostriedky pre domácnosť, čistiace prostriedky, petrolej, vykurovací olej, laky atď.. Na čistenie použite vlažnú vodu a mäkkú handričku a utrite ich do sucha.

### 6.1. Zabránenie vzniku nepríjemných pachov

Pri výrobe našich zariadení sa nepoužívajú materiály, ktoré môžu spôsobiť zápach. Avšak, nevhodné podmienky pre zachovanie potravín a zanedbanie čistenia vnútorného povrchu zariadenia v potrebnej miere môže spôsobiť problém zápachu.

Preto chladničku čistite karbonáto rozpusteným vo vode každých 15 dní.

- Potraviny uchovávajte v uzavretých nádobách. Mikroorganizmy šíriace sa z nekrytých nádob môžu spôsobiť nepríjemné pachy.
- Nikdy neskladujte jedlo, ktorým vypršala trvanlivosti a sú rozliate v chladničke.

### 6.2. Ochrana plastových povrchov

Okamžite očistite s teplou vodou, nakoľko olej nanosený na plastové povrchy môže spôsobiť poškodenie povrchu.

### 6.3. Dverové sklá

Zo skiel odstráňte ochrannú fóliu.

Na povrchu skla sa nachádza povlak. Tento povlak minimalizuje vznik škvŕn pomáha ľahko odstrániť prípadné nečistoty a škvŕny. Sklá, ktoré nie sú chránené takýmto povlakom môžu byť vystavené trvalým organickým alebo anorganickým nečistotám na báze vzduchu alebo vody, ako sú vodný kameň, minerálne soli, nespálené uhľovodíky, oxidy kovov a silikóny, ktoré ľahko a rýchlo spôsobujú škvŕny alebo materiálne škody. Udržiavanie skla v čistom stave sa stáva príliš ťažkým, napriek pravidelnému čisteniu. V dôsledku toho, vzhľad a transparentnosť skla sa zhoršuje. Drsné a žieravé metódy čistenia a zlúčeniny zintenzívňujú tieto vady a urýchľujú proces zhoršovania sa. Pre bežné čistiace účely použite čistiace prostriedky na vodnej báze, ktoré nie sú zásadité a korozívne.

Na čistenie použite nealkoholické a nekorozívne materiály, aby ste zachovali povlak po dlhú dobu. Sklá sú temperované pre zvýšenie ich odolnosti proti nárazom a lámaniu.

Na ich zadnej ploche bola tiež aplikovaná bezpečnostná fólia, ako ďalšie bezpečnostné opatrenie pre zabránenie poškodeniu ich okolia v prípade ich rozbitia.

\* Alkál je báza, ktorá pri rozpustení vo vode tvorí hydroxidové ióny (OH).

Kovy Li (lítium), Na (sodík), K (draslík) Rb (rubídium), Cs (cézium), a umelý a rádioaktívny Fr (Francium) sa nazývajú alkalické kovy.

## 7 Riešenie problémov

Než sa obrátite na servis, pozrite si nasledujúci zoznam. Môže Vám to ušetriť čas aj peniaze. Tento zoznam obsahuje časté sťažnosti, ktoré nie sú spojené s chybným spracovaním alebo poškodením materiálu. Niektoré funkcie uvedené v tomto dokumente sa nemusia vzťahovať na váš produkt.

### Chladnička nefunguje.

- Zástrčka nie je úplne nasadená. >>> Zapojte ju úplne do zásuvky.
- Poistka pripojená do zásuvky ktorá napája produkt alebo hlavná poistka je spálená. >>> Skontrolujte poistky.

### Kondenzácia na bočnej stene chladiaceho priestoru (MULTI ZÓNA, CHLADIACA, KONTROLNÁ a FLEXI ZÓNA).

- Prostredie je príliš chladné. >>> Neinštalujte výrobok v prostredí s teplotami pod  $-5^{\circ}\text{C}$ .
- Dvere sa otvárajú príliš často >>> Dbajte na to, aby ste dvere výrobku neotvárali príliš často.
- Prostredie je príliš vlhké. >>> Neinštalujte výrobok vo vlhkom prostredí.
- Potraviny obsahujúce tekutiny sú uchovávané v neuzavretých nádobách. >>> Uchovávajte potraviny, ktoré obsahujú tekutiny v uzavretých nádobách.
- Dvere výrobku boli ponechané otvorené. >>> Nenechávajte dvere chladničky otvorené po dlhšiu dobu.
- Termostat je nastavený na príliš nízku teplotu. >>> Nastavte termostat na vhodnú teplotu.

### Kompresor nepracuje.

- V prípade náhleho výpadku prúdu alebo vytiahnutia napájacieho kábla a po jeho opätovnom pripojení tlak plynu v chladiacom systéme výrobku nie je vyvážený, čo spustí tepelný istič kompresora. Produkt sa rešartuje po približne 6 minútach. Keď sa výrobok po uplynutí tejto doby nerešartuje, obráťte sa na servis.
- Je aktívne rozmrazovanie. >>> To je normálne pre chladničku s plne automatickým rozmrazovaním.
- Odmrazovania sa vykonáva pravidelne.
- Produkt nie je zapojený do elektrickej siete >>> Uistite sa, že napájací kábel je zapojený.
- Nastavenie teploty je nesprávne. >>> Zvoľte zodpovedajúce nastavenie teploty.
- Nie je prúd. >>> Produkt bude naďalej fungovať normálne po obnovení napájania.

### Prevádzkový hluk chladničky sa pri používaní zvyšuje.

- Prevádzkové výsledky tohto výrobku sa môžu líšiť v závislosti na zmenách teploty okolitého prostredia. To je normálne a nejedná sa o závalu.

### Chladnička beží príliš často alebo príliš dlho.

## Riešenie problémov

- Nový výrobok môže byť väčší ako ten predchádzajúci. Väčšia výroby budú pracovať po dlhšiu dobu.
- Teplota v miestnosti môže byť vysoká. >>> Výrobok bude v miestnosti s vyššou teplotou vypustený po dlhšiu dobu.
- Výrobok mohol byť zapojený len nedávno alebo v ňom boli umiestnené nové položky potravín. >>> Výrobok dosiahne nastavenú teplotu dlhšie, keď bol len práve zapojený alebo doň boli umiestnené nové potraviny. To je normálne.
- Do výrobku bolo v poslednej dobe umiestnené veľké množstvo teplého jedla. >>> Nepokladajte horúce jedlo do výrobku.
- Dvere boli často otvorené alebo zostali otvorené po dlhšiu dobu. >>> Teplý vzduch pohybuje sa vo vnútri spôsobí, že výrobok bude v prevádzke dlhšie. Neotvárajte dvere chladničky príliš často.
- Dvere mrazničky alebo chladničky mohli zostať pootvorené. >>> Skontrolujte, či sú dvere úplne zatvorené.
- Výrobok môže byť nastavený na príliš nízku teplotu. >>> Nastavte teplotu na vyšší stupeň a počkajte, až výrobok dosiahne nastavenú teplotu.
- Podložky dvier chladničky alebo mrazničky môžu byť špinavé, opotrebované, rozbité alebo nesprávne nasadené. >>> Vyčistite alebo vymeňte podložky. Poškodené / roztrhané podložky dverí spôsobia, že výrobok bude bežať dlhšiu dobu pre zachovanie aktuálnej teploty.

Teplota mrazenia je veľmi nízka, ale teplota chladiča je dostačujúca.

- Teplota priestoru mrazničky je nastavená na veľmi nízky stupeň. >>> Nastavte teplotu v mrazničke na vyšší stupeň a znovu skontrolujte.

Teplota chladenia je veľmi nízka, ale teplota mrazničky je dostačujúca.

- Teplota priestoru chladničky je nastavená na veľmi nízky stupeň. >>> Nastavte teplotu v mrazničke na vyšší stupeň a znovu skontrolujte.

Potraviny uchovávané v chladnejších zásuviek priestorov sú zmrazené.

- Teplota priestoru chladničky je nastavená na veľmi nízky stupeň. >>> Nastavte teplotu v mrazničke na vyšší stupeň a znovu skontrolujte.

Teplota v chladničke alebo v mrazničke je príliš vysoká.

- Teplota priestoru chladničky je nastavená na veľmi vysoký stupeň. >>> Nastavenie teploty chladiaceho priestoru má vplyv na teplotu v mraziacom priestore. Počkajte, až teplota príslušných častí dosiahne dostatočnú úroveň zmenou teploty chladiaceho alebo mraziaceho priestoru.
- Dvere boli často otvorené alebo zostali otvorené po dlhšiu dobu. >>> Neotvárajte dvere chladničky príliš často.
- Dvere môžu byť pootvorené. >>> Úplne zatvorte dvere.
- Výrobok mohol byť zapojený len nedávno alebo v ňom boli umiestnené nové položky potravín. >>> To je normálne. Výrobok dosiahne nastavenú teplotu dlhšie, keď bol len práve zapojený alebo doň boli umiestnené nové potraviny.
- Do výrobku bolo v poslednej dobe umiestnené veľké množstvo teplého jedla. >>> Nepokladajte horúce jedlo do výrobku.

Trasie sa alebo vydáva hluk.

- Podlaha nie je vo vodováhe alebo nie je odolná. >>> Ak sa výrobok trasie, keď sa pomaly pohybuje, nastavte stojany na vyrovnanie výrobku. >>> Uistite sa tiež, že podlaha je dostatočne odolná k tomu, aby uniesla produkt.
- Všetky položky umiestnené na výrobku môže spôsobiť hluk. >>> Odstráňte všetky položky umiestnené na výrobku.

Výrobok vytvára hluk tečúcej, striekajúcej kvapaliny a pod.

- Princíp fungovania tohto výrobku je založený na toku kvapalín a plynu. >>> To je normálne a nejedná sa o závalu.

Z výrobku znie zvuk ako vanúci vietor.

## Riešenie problémov

- Výrobok pre proces chladenia používa ventilátor. To je normálne a nejedná sa o závalu.
- Potraviny môžu byť v kontakte s hornou časťou zásobníka. >>> Preusporiadajte potraviny v šuplíku.

Na vnútorných stenách výrobku sa vytvoril kondenzát.

- Horúce alebo vlhké počasie zvýši nárazu a kondenzáciu. To je normálne a nejedná sa o závalu.
- Dvere boli často otvorené alebo zostali otvorené po dlhšiu dobu. >>> Neotvárajte dvere príliš často, ak zostali otvorené, zatvorte ich.
- Dvere môžu byť pootvorené. >>> Úplne zatvorte dvere.

Vytvára sa kondenzát na vonkajšej strane výrobku alebo medzi dverami.

- Okolité prostredie môže byť vlhké, je to úplne normálne vo vlhkom počasí. >>> Kondenzácia sa rozptýli, keď sa zníži vlhkosť.

Interiér zapácha.

- Produkt nie je pravidelne čistený. >>> Pravidelne čistite vnútro pomocou hubky, teplej vody a sýtenej vody.
- Niektoré balenia a obalové materiály môže spôsobiť zápach. >>> Používajte balenia a obalové materiály bez zápachu.
- Potraviny boli umiestnené v neuzavretých baleniach. >>> Uchovávajte potraviny v uzavretých baleniach. Mikroorganizmy sa môžu z neuzavretých potravín rozšíriť a spôsobiť zápach. Z výrobku odstráňte všetky potraviny so zašlým dátumom spotreby a pokazené potraviny.

Dvere sa nezatvárajú.

- Balíčky s potravinami môžu blokovať dvere. >>> Premiestnite predmety blokujúce dvere.
- Produkt nestojí v úplne zvislej polohe na zemi. >>> Nastavte stojany pre uvedenie výrobku do zvislej polohy.
- Podlaha nie je vo vodováhe alebo nie je odolná. >>> Uistite sa, že podlaha je vyvážená a dostatočne odolná k tomu, aby uniesla produkt.

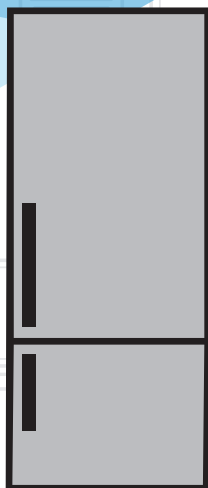
Zásobník na zeleninu sa zasekol.



**VAROVANIE:** Ak problém pretrváva aj po vykonaní pokynov v tejto časti, obráťte sa na svojho predajcu alebo na autorizovaný servis. Nepokúšajte sa opraviť produkt.



# Gefrierschrank Bedienungsanleitung



DE |

**beko**

## Bitte lesen Sie vor Inbetriebnahme des Gerätes diese Anleitung!

Sehr geschätzte Kundin, sehr geschätzter Kunde,





wir hoffen, dass Sie mit Ihrem Produkt, das sorgfältig in modernen Anlagen hergestellt und mit detaillierten Qualitätsprüfungen getestet wurde, optimale Ergebnisse erzielen.

Daher empfehlen wir Ihnen, diese Bedienungsanleitung vor Inbetriebnahme des Produktes aufmerksam zu lesen. Falls Sie das Gerät an jemand anderen weitergeben, vergessen Sie nicht, diese Bedienungsanleitung ebenfalls beizulegen.

## Die Anleitung hilft Ihnen, Ihr Gerät schnell und sicher zu bedienen.

- Bitte lesen Sie die Bedienungsanleitung aufmerksam, bevor Sie das Produkt aufstellen und bedienen.
- Halten Sie stets die zutreffenden Sicherheitshinweise ein.
- Bewahren Sie die Bedienungsanleitung zum künftigen Nachschlagen an einem leicht zugänglichen Ort auf.
- Bitte lesen Sie alle anderen mit dem Produkt bereitgestellten Dokumente.

Beachten Sie, dass diese Bedienungsanleitung auf verschiedene Produktmodelle zutreffen kann. Diese Anleitung weist ausdrücklich auf Unterschiede zwischen verschiedenen Modellen hin.

	Wichtige Informationen und nützliche Hinweise.
	Gefahr von Verletzungen und Sachschäden.
	Stromschlaggefahr.
	Die Verpackungsmaterialien des Gerätes wurden gemäß nationalen Umweltschutzbestimmungen aus recyclingfähigen Materialien hergestellt.

## **1 Wichtige Hinweise zu Sicherheit und Umwelt 3**

1.1. Allgemeine Hinweise zu Ihrer Sicherheit . . . . .	3
1.1.1 Kohlenwasserstoff-Warnung . . . . .	5
1.1.2 Bei Produkten mit Wasserspender/Eisbereiter . . . . .	6
1.2. Bestimmungsgemäßer Einsatz . . . . .	6
1.3. Sicherheit von Kindern . . . . .	6
1.4. Erfüllung der WEEE-Vorgaben zur Entsorgung von Altgeräten: . . . . .	7
1.5. Einhaltung von RoHS-Vorgaben: . . . . .	7
1.6. Verpackungsinformationen . . . . .	7

## **2 Ihr Kühlschrank 8**

### **3 Installation 9**

3.1. Der richtige Aufstellungsort. . . . .	9
3.2. Kunststoffkeile anbringen . . . . .	9
3.3. Füße einstellen. . . . .	9
3.4. Stromanschluss . . . . .	9
3.5. Türanschlag umkehren . . . . .	10
3.6. Türanschlag umkehren . . . . .	11

### **4 Vorbereitungen 12**

4.1. Maßnahmen zum Energiesparen . . . . .	12
4.2. Erste Inbetriebnahme . . . . .	12

### **5 Produkt verwenden 13**

5.1. Temperatureinstelltaste. . . . .	13
5.2. Schnellgefrieren . . . . .	13
5.3. Urlaubsfunktion . . . . .	13
5.4. Thermostateinstelltaste. . . . .	15
5.5. Abtauen. . . . .	15
5.6. Anzeigefeld . . . . .	16
5.7. Anzeigefeld . . . . .	17
5.8. Anzeigefeld . . . . .	19
5.9. Anzeigefeld . . . . .	22

5.10.Eisbehälter . . . . .	25
5.11.Eierhalter . . . . .	25
5.12.Lüfter. . . . .	25
5.13. Gemüsefach . . . . .	25
5.14.0-Grad-Fach . . . . .	25
5.15.Das zweite gemüsefach des produktes verwenden	26
5.16.Bewegliche Türablage. . . . .	27
5.17.Verschiebbarer Vorratsbehälter . . . . .	27
5.18.HerbBox/HerbFresh . . . . .	27
5.19.Feuchtigkeitskontrolliertes Gemüsefach. . . . .	28
5.20.Automatischer Eisbereiter . . . . .	28
5.21.Eisbereiter und Eisbehälter . . . . .	29
5.22.Wasserspender . . . . .	30
5.23.So benutzen Sie den Wasserspender. . . . .	30
5.24.Wassertank reinigen . . . . .	30
5.25.Tropfschale . . . . .	32
5.26.Frische Lebensmittel tiefkühlen. . . . .	33
5.27.Empfehlungen zur Lagerung gefrorener Lebensmittel. . . . .	33
5.28.Hinweise zum Tiefkühlbereich . . . . .	33
5.29.Lebensmittel einlagern . . . . .	34
5.30.Tür-offen-Alarm . . . . .	34
5.31.Wechseln des Türanschlags . . . . .	34
5.32.Innenbeleuchtung. . . . .	34

### **6 Wartung und Reinigung 35**

6.1. Unangenehme Gerüche verhindern . . . . .	35
6.2. Kunststoffflächen schützen . . . . .	35
6.3. Innenfläche reinigen . . . . .	35

### **6 Reinigung und Pflege 36**

6.4. Edelstahl-Außenflächen . . . . .	36
6.5. Produkte mit Glastüren reinigen . . . . .	36

### **7 Problemlösung 37**

# 1 Wichtige Hinweise zu Sicherheit und Umwelt

Dieses Kapitel enthält Sicherheitshinweise, die Ihnen dabei helfen, die Gefahr von Verletzungen oder Sachschäden zu verhindern. Bei Nichtbeachtung dieser Anweisungen erlöschen sämtliche Gewährleistungen.

## Bestimmungsgemäßer Einsatz

### ACHTUNG:

Stellen Sie sicher, dass die Entlüftungsöffnungen am Aufstellort des Gerätes nicht blockiert sind.

### ACHTUNG:

Um den Auftauvorgang zu beschleunigen, keine anderen mechanischen Geräte oder Geräte verwenden, die nicht vom Hersteller empfohlen sind.

### ACHTUNG:

Dem Kühlmittelkreislauf keine Schäden zufügen.

### ACHTUNG:

In den Lebensmittelaufbewahrungsfächern keine Geräte verwenden, die nicht vom Hersteller empfohlen sind.

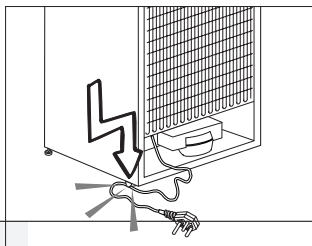


Dieses Gerät ist für die private Nutzung oder für den Gebrauch bei folgenden ähnliche Anwendungen konzipiert worden

- In Personalküchen in Geschäften, Büros und anderen Arbeitsumgebungen;
- In Bauernhöfen, Hotels, Motels und anderen Unterkünften, für den Gebrauch der Kunden;
- Umgebungen mit Übernachtung und Frühstück;
- Bei Catering und ähnliche Non-Retail-Anwendungen.

## 1.1. Allgemeine Hinweise zu Ihrer Sicherheit

- Personen mit körperlichen, sensorischen oder geistigen Behinderungen, oder die sich mit dem Gerät nicht auskennen, sollten es nicht nutzen. Kinder sollten nicht daran spielen oder hineinklettern.
- Die Nichteinhaltung der Anweisungen zum Gerät oder eine unkontrollierte Nutzung dieses könnte zu gefährlichen Situationen führen!
- Ziehen Sie den Netzstecker, falls während der Benutzung eine Störung auftritt.
- Falls das Produkt nicht richtig funktioniert, darf es erst nach Reparatur durch einen autorisierten Serviceanbieter in Betrieb genommen werden. Stromschlaggefahr!
- Schließen Sie das Gerät an eine geerdete Steckdose an, die mit einer Sicherung, die dem Wert auf dem Typenschild entspricht, ausgestattet ist. Lassen Sie das Produkt von einem qualifizierten Elektriker erden. Unser Unternehmen übernimmt keine Verantwortung für Schäden aufgrund einer nicht gemäß den örtlichen Bestimmungen geerdeten Steckdose.
- Ziehen Sie den Netzstecker, wenn Sie das Gerät nicht nutzen.
- Lassen Sie niemals Wasser direkt auf das Gerät gelangen; auch nicht zum Reinigen! Stromschlaggefahr!
- Berühren Sie den Netzstecker niemals mit feuchten oder gar nassen Händen!
- Trennen Sie das Gerät niemals durch Ziehen am Kabel vom Stromnetz. Greifen Sie beim Ziehen immer am Stecker.



## Hinweise zu Sicherheit und Umwelt

- Schließen Sie den Kühlschrank nicht an lose Steckdosen an.
- Verbinden Sie Ihren Kühlschrank nie mit Energiesparvorrichtungen. Solche Systeme können dem Gerät schaden.
- Sorgen Sie dafür, dass das Gerät bei Installation, Pflege, Reinigung und Reparaturen komplett vom Stromnetz getrennt wird.
- Überlassen Sie die Produktaufstellung und den elektrischen Anschluss immer einem **autorisierten Serviceanbieter**. Der Hersteller übernimmt keine Verantwortung für Schäden, die durch von nicht autorisierten Personen ausgeführten Arbeitsschritten verursacht werden.
- Verzehren Sie Speiseeis und Eiswürfel nicht unmittelbar nach der Entnahme aus dem Tiefkühlbereich! Andernfalls kann es zu Erfrierungen an den Lippen kommen.
- Berühren Sie gefrorene Lebensmittel nicht mit feuchten Händen! Die Lebensmittel können an den Händen festfrieren!
- Bewahren Sie Getränke in Flaschen und Dosen niemals im Tiefkühlbereich auf. Sie können platzen!
- Verwenden Sie zum Reinigen oder Abtauen des Kühlschranks niemals Dampf oder Dampfreiniger. Wenn Dampf mit spannungsführenden Teilen in Ihrem Kühlschrank in Berührung kommt, drohen Kurzschlüsse und Stromschläge!
- Nutzen Sie keine mechanischen oder anderen Hilfsmittel, um das Gerät abzutauen – es sei denn, solche Hilfsmittel werden ausdrücklich vom Hersteller empfohlen.
- Missbrauchen Sie niemals Teile Ihres Kühlschranks (z. B. Tür oder Schubladen) als Befestigungen oder Kletterhilfen. Mit anderen Worten: Stellen Sie sich niemals auf Teile Ihres Kühlschranks, hängen Sie sich nicht daran. Dies gilt natürlich auch für Kinder. Andernfalls kann das Gerät umkippen und beschädigt werden.
- Achten Sie darauf, den Kühlkreislauf keinesfalls mit Bohr- oder Schneidwerkzeugen zu beschädigen. Das Kühlmittel kann herausspritzen, wenn die Gaskanäle des Verdunsters, Rohr- und Schlauchleitungen oder Oberflächenversiegelungen beschädigt werden. Dies kann zu Hautreizungen und Augenverletzungen führen.
- Decken Sie keinerlei Belüftungsöffnungen des Kühlschranks ab.
- Lagern Sie hochprozentige alkoholische Getränke gut verschlossen und aufrecht.
- Benutzen Sie keine Sprays in der Nähe des Gerätes; es besteht eine gewisse Brand- und Explosionsgefahr!
- Bewahren Sie in dem Gerät niemals entflammbare oder explosive Produkte auf oder solche, die entflammbare oder explosive Gase (z. B. Spray) enthalten.
- Stellen Sie keine mit Flüssigkeiten gefüllten Gegenstände auf dem Produkt ab. Falls Wasser oder andere Flüssigkeiten an elektrische

## Hinweise zu Sicherheit und Umwelt

- Teile gelangen, kann es zu Stromschlägen oder Bränden kommen.
- Bewahren Sie Gegenstände, die eine präzise Temperatureinstellung benötigen (wie Impfstoffe, hitzeempfindliche Medikamente, wissenschaftliche Materialien usw.) nicht im Kühlschrank auf.
- Ziehen Sie den Netzstecker und entnehmen Sie die Lebensmittel, falls das Produkt voraussichtlich längere Zeit nicht benutzen.
- Falls der Kühlschrank über ein blaues Licht verfügt, blicken Sie nicht mit optischen Werkzeugen in dieses Licht.
- In Bezug auf die elektrische Sicherheit besteht Gefahr, wenn das Produkt Regen, Schnee, direkter Sonneneinstrahlung und Wind ausgesetzt wird.
- Bei Geräten mit mechanischer Temperaturregelung (Thermostat) warten Sie nach Unterbrechungen der Stromversorgung grundsätzlich mindestens 5 Minuten lang ab, bevor Sie den Netzstecker wieder einstecken.
- Überladen Sie den Kühlschrank nicht. Gegenstände im Kühlschrank könnten herunterfallen und Verletzungen oder Schäden verursachen, wenn die Tür geöffnet wird. Ähnliche Probleme können auftreten, wenn ein Gegenstand auf dem Produkt platziert wird.
- Falls das Gerät einen Türgriff hat, bewegen Sie es nicht durch Ziehen am Griff. Der Griff könnte sich lockern.

- Achten Sie darauf, dass Ihre Hände sowie andere Körperteile nicht zwischen die beweglichen Teile des Kühlschranks geraten.
- Stecken Sie weder Ihre Hand noch irgendwelche Gegenstände in den Eisbereiter, während er in Betrieb ist.

### 1.1.1 Kohlenwasserstoff-Warnung

- Falls das Kühlsystem Ihres Produktes R600a enthält:

Dieses Gas ist leicht entflammbar.

Achten Sie also darauf, Kühlkreislauf und Leitungen während Betrieb und Transport nicht zu beschädigen.

Halten Sie das Produkt bei Schäden von möglichen Feuerquellen fern und belüften Sie den Raum, in dem das Produkt aufgestellt ist.

	Halten Sie sich vom Gas fern, falls das Produkt beschädigt ist und offensichtlich Gas austritt. Es kann bei Hautkontakt Erfrierungen verursachen. (Einschließlich R134)
	Ignorieren Sie diese Warnung, falls das Kühlsystem Ihres Produktes R134a enthält.
	Die Art des im Produkt eingesetzten Gases wird auf dem Typenschild an der linken Innenwand des Kühlschranks angegeben.
	<b>WARNUNG:</b> Entsorgen Sie das Produkt keinesfalls durch Verbrennen.

## Hinweise zu Sicherheit und Umwelt

### 1.1.2 Bei Produkten mit Wasserspender/Eisbereiter

- Der Druck für die Kaltwasserzufuhr sollte maximal 90 psi (620 kPa) betragen. Wenn der Wasserdruck in Ihrem Haushalt 80 psi (550 kPa) übersteigt, verwenden Sie bitte ein Druckbegrenzungsventil in Ihrem Leitungssystem. Sollten Sie nicht wissen, wie der Wasserdruck gemessen wird, ziehen Sie bitte einen Fachinstallateur hinzu.
- Falls die Gefahr von Wasserschlägen in Ihrer Installation besteht, nutzen Sie immer eine Wasserschlag-Präventionsausrüstung in dieser Installation. Wenden Sie sich an einen professionellen Klempner, wenn Sie nicht sicher sind, ob bei Ihrer Installation die Gefahr eines Wasserschlags besteht.
- Nehmen Sie keine Installation am Warmwasserzulauf vor.
- Nutzen Sie ausschließlich Trinkwasser.
- Schützen Sie die Schläuche mit geeigneten Maßnahmen vor Frost. Der Wassertemperaturbereich muss zwischen 0,6 und 38 °C liegen.



#### **WARNUNG:**

Schließen Sie das Produkt niemals an einen Kaltwasseranschluss mit einem Druck von 550 kPa oder mehr an.

Einsatz und darf nur für seinen bestimmungsgemäßen Einsatzzweck verwendet werden.

- Es darf nur zur Aufbewahrung von Lebensmitteln genutzt werden.
- Der Hersteller übernimmt keine Verantwortung für Schäden aufgrund von unsachgemäßem Gebrauch oder Transport.
- Originalersatzteile sind ab Kaufdatum des Produktes 10 Jahre erhältlich.

### 1.3. Sicherheit von Kindern

- Wenn Sie ein Schloss an der Gerätetür haben, sollte der Schlüssel außerhalb der Reichweite von Kindern aufbewahrt werden.
- Kinder dürfen nicht mit dem Gerät spielen.



#### **GEFAHR:**

Bevor Sie Ihr Altgerät entsorgen:

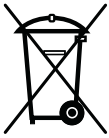
- Kinder könnten sich im Inneren des Gerätes einsperren.
- Entfernen Sie die Türen.
- Lassen Sie die Ablagen im Gerät, damit Kinder nicht so einfach in das Produkt gelangen.

### 1.2. Bestimmungsgemäßer Einsatz

- Dieses Gerät ist zur Nutzung im Haushalt vorgesehen. Es eignet sich nicht zum kommerziellen

# Hinweise zu Sicherheit und Umwelt

## 1.4. Erfüllung der WEEE-Vorgaben zur Entsorgung von Altgeräten:



Dieses Produkt erfüllt die Vorgaben der europäischen WEEE-Richtlinie (2012/19/EU). Das Gerät wurde mit einem Klassifizierungssymbol für elektrische und elektronische Altgeräte (WEEE) gekennzeichnet.

Dieses Gerät wurde aus hochwertigen Materialien hergestellt, die wiederverwendet und recycelt werden können. Entsorgen Sie das Gerät am Ende seiner Einsatzzeit daher nicht mit dem regulären Hausmüll oder anderen Abfällen. Bringen Sie das Gerät zu einer Sammelstelle zum Recycling von elektrischen und elektronischen Geräten. Ihre Stadtverwaltung informiert Sie gerne über geeignete Sammelstellen in Ihrer Nähe.

## 1.5. Einhaltung von RoHS-Vorgaben:

Das von Ihnen erworbene Gerät erfüllt die Anforderungen der europäischen RoHS-Richtlinie (2011/65/EU). Es enthält keine in der Richtlinie angegebenen gefährlichen oder unzulässigen Materialien.

## 1.6. Verpackungsinformationen

- Die Verpackungsmaterialien des Gerätes wurden gemäß nationalen Umweltschutzbestimmungen aus recyclingfähigen Materialien hergestellt. Entsorgen Sie Verpackungsmaterialien nicht mit dem normalen Hausmüll oder anderen Abfällen. Bringen Sie diese Materialien zu einer von Ihrer Stadtverwaltung vorgesehenen Recyclingstelle.

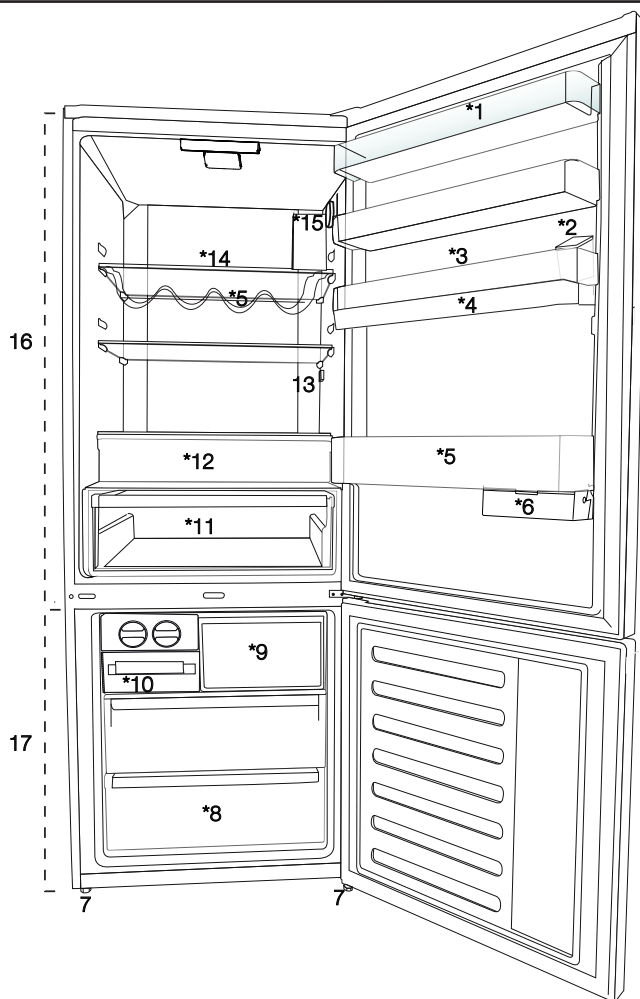
### GEFAHR:

#### Brand- oder Explosionsgefahr:

- Dieses Produkt nutzt ein entflammbares Kühlmittel.
- Tauen Sie den Kühlschrank nicht mit mechanischen Geräten ab.
- Verwenden Sie zur Reinigung keine Chemikalien.
- Durchstechen Sie die Kühlmittelleitung nicht.
- Falls die Kühlmittelleitung durchstochen wird, darf sie nur von autorisiertem Servicepersonal repariert werden.
- Bitte wenden Sie sich vor der Reinigung des Produktes an die Reparatur- / Bedienungsanleitung. Alle Sicherheitshinweise müssen befolgt werden.
- Entsorgen Sie das Produkt entsprechend den staatlichen oder örtlichen Vorschriften.







- |                                   |                             |
|-----------------------------------|-----------------------------|
| 1. Kühlbereich-Türablage          | 11. Gemüsefach              |
| 2. Wasserspender-Befüllung        | 12. 0-Grad-Fach             |
| 3. Eierhalter                     | 13. Innenbeleuchtung        |
| 4. Wasserspender-Tank             | 14. Kühlbereichglasablage   |
| 5. Flaschenablage                 | 15. Temperatureinstelltaste |
| 6. Verschiebbarer Vorratsbehälter | 16. Kühlbereich             |
| 7. Einstellbare Füße              | 17. Tiefkühlbereich         |
| 8. Tiefkühlbereich                |                             |
| 9. Schnellgefrierfach             |                             |
| 10. Eisbereiter und Eisbehälter   |                             |




**Trifft möglicherweise nicht auf alle Modelle zu**



**\* Optional:** Die Abbildungen in dieser Anleitung dienen lediglich der Veranschaulichung und müssen nicht absolut exakt mit Ihrem Produkt übereinstimmen. Falls Ihr Produkt nicht über die entsprechenden Teile verfügt, betreffen die Informationen andere Modelle.

### 3.1. Der richtige Aufstellungsort

Wenden Sie sich zur Aufstellung des Gerätes an den autorisierten Kundendienst. Bereiten Sie das Gerät auf die Aufstellung vor, indem Sie die Informationen in der Bedienungsanleitung beachten und sicherstellen, dass Strom- und Wasseranschlüsse wie erforderlich vorhanden sind. Falls nicht, wenden Sie sich zum Nachrüsten an einen Elektriker oder Klempner.

	<b>WARNUNG:</b> Der Hersteller haftet nicht für jegliche Schäden, die durch Arbeiten entstanden sind, die nicht von autorisierten Personen durchgeführt wurden.
	<b>WARNUNG:</b> Bei der Aufstellung muss das Gerät vollständig vom Stromnetz getrennt sein. Andernfalls drohen ernsthafte oder sogar tödliche Verletzungen!
	<b>WARNUNG:</b> Falls das Gerät nicht durch die Tür passt, entfernen Sie die Gerätetür und drehen Sie das Gerät auf die Seite; falls es dennoch nicht passt, wenden Sie sich an den autorisierten Kundendienst.

- Stellen Sie das Gerät auf einem flachen Untergrund auf, damit es weder wackelt noch kipzelt.
- Stellen Sie das Gerät mindestens 30 cm von Heizungen, Öfen und ähnlichen Wärmequellen auf; halten Sie einen Mindestabstand von 5 cm zu elektrischen Öfen ein.
- Setzen Sie das Gerät keinem direkten Sonnenlicht und keinen feuchten Umgebungen aus.
- Damit das Gerät effizient arbeitet, ist eine angemessene Luftzirkulation erforderlich.
- Falls Sie das Gerät in einer Nische aufstellen, achten Sie darauf, dass mindestens 5 cm zur Decke und zu den Wänden frei bleiben.
- Stellen Sie das Gerät nicht in Umgebungen mit Temperaturen unter  $-5\text{ °C}$  auf.

### 3.2. Kunststoffkeile anbringen

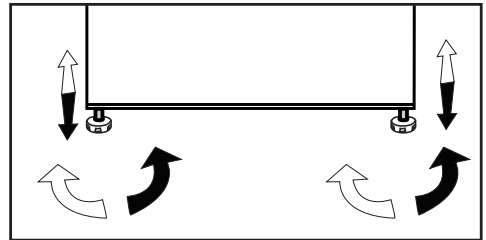
Sorgen Sie zur Gewährleistung einer angemessenen Luftzirkulation mit Hilfe der mitgelieferten Kunststoffkeile für genügend Platz zwischen dem Gerät und der Wand.

**1.** Zur Befestigung der Keile entfernen Sie die Schrauben am Produkt und verwenden die mit den Keilen gelieferten Schrauben.

**2.** Befestigen Sie die beiden Kunststoffkeile wie in der Abbildung gezeigt an der Abdeckung der Belüftungsöffnungen.

### 3.3. FüÙe einstellen


Falls das Produkt nicht exakt in Waage steht, passen Sie die vorderen einstellbaren FüÙe durch Drehen nach rechts oder links an.



### 3.4. Stromanschluss

	<b>WARNUNG:</b> Verwenden Sie keine Mehrfachsteckdosen oder Verlängerungskabel.
	<b>WARNUNG:</b> Beschädigte Netzkabel müssen vom autorisierten Kundendienst ausgetauscht werden.
	Wenn Sie zwei Kühlgeräte nebeneinander aufstellen, halten Sie einen Mindestabstand von 4 cm zwischen den Geräten ein.

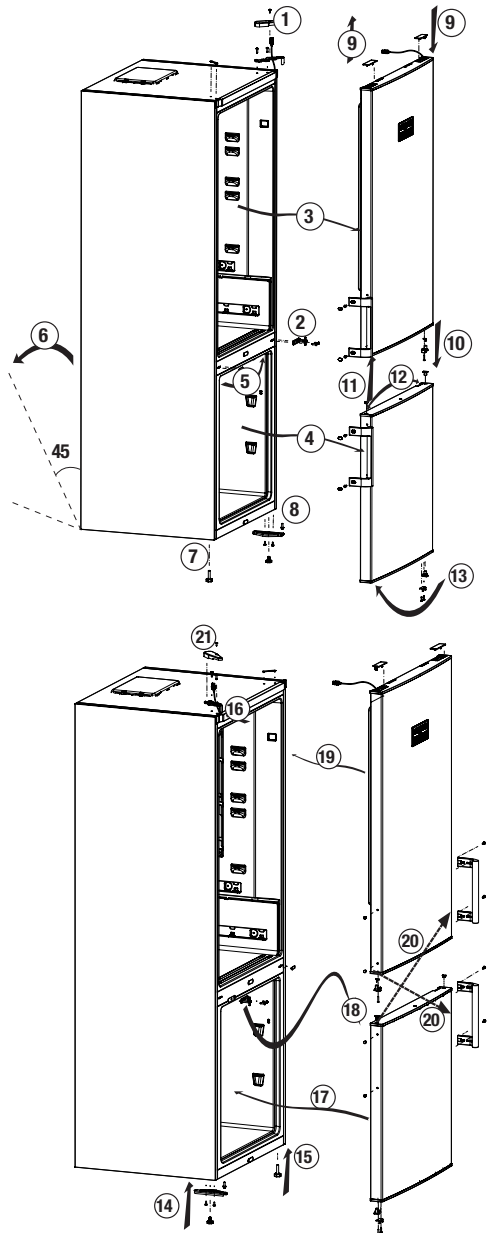
- Unser Unternehmen haftet nicht für jegliche Schäden, die durch eine Inbetriebnahme ohne Erdung oder einen nicht mit nationalen Richtlinien übereinstimmenden Stromanschluss verursacht werden.
- Der Netzstecker muss nach der Installation frei zugänglich bleiben.
- Verwenden Sie zwischen Steckdose und Kühlschrank keine Mehrfachsteckdose mit oder ohne Verlängerungskabel.

	<p>Achtung: Warnung vor heißen Oberflächen</p> <p>Die Seitenwände Ihres Geräts sind mit Kühlmittelleitungen für ein verbessertes Kühlsystem ausgestattet. Kühlmittel mit hohen Temperaturen können in diesen Bereichen 2der Seitenwände fließen.</p> <p>Das ist normal und erfordert keinerlei Reparatur oder Wartung. Bitte seien Sie vorsichtig, wenn Sie diese Bereiche berühren.</p>
---	--

# Installation

## 3.5. Türanschlag umkehren

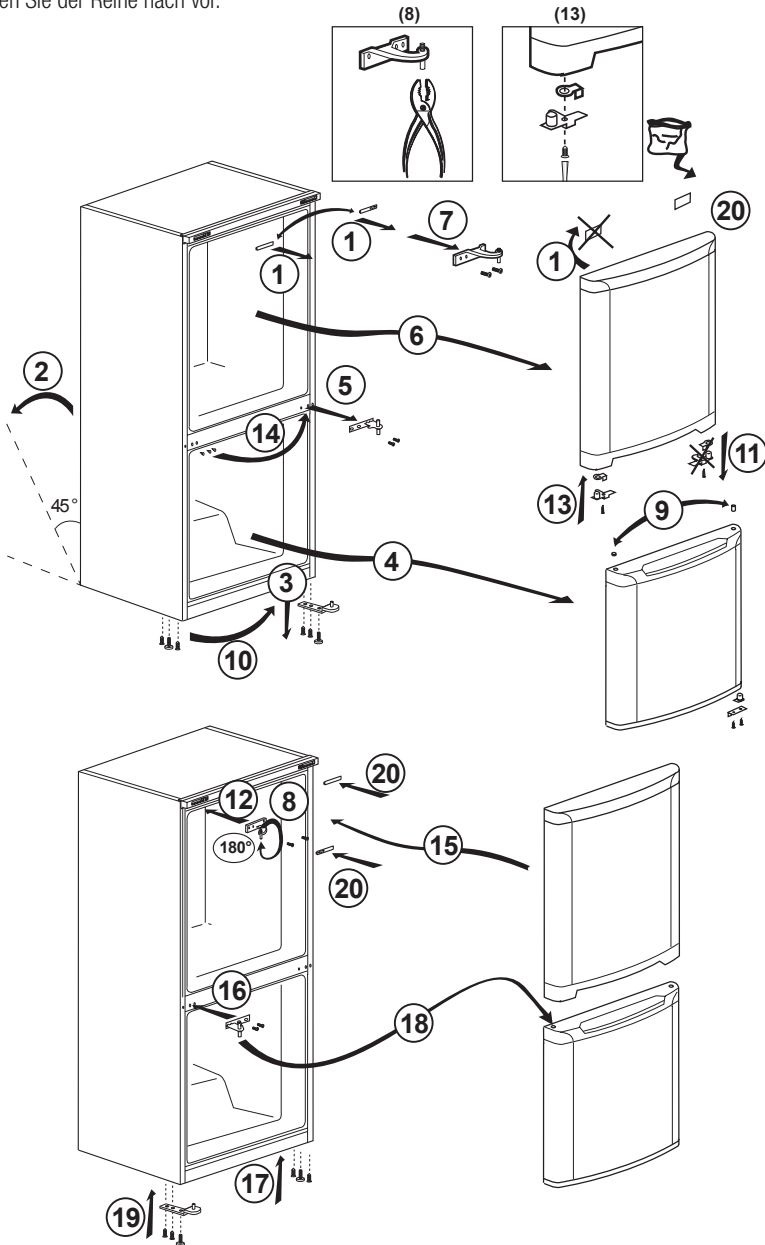
Gehen Sie der Reihe nach vor.



# Installation

## 3.6. Türanschlag umkehren

Gehen Sie der Reihe nach vor.



### 4.1. Maßnahmen zum Energiesparen



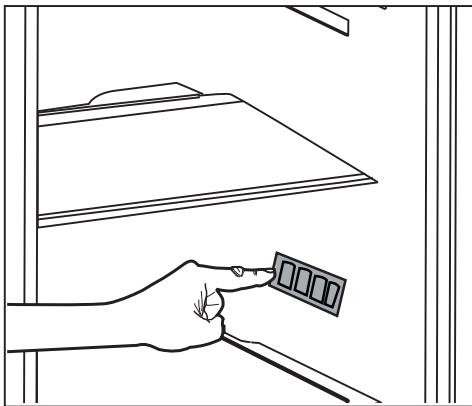
Der Anschluss des Gerätes an Energiesparsysteme birgt Risiken, da Schäden am Gerät auftreten können.

- Gerätetüren nicht längere Zeit offen stehen lassen.
- Keine warmen oder gar heißen Lebensmittel oder Getränke in den Kühlschrank geben.
- Kühlschrank nicht überladen; wird der interne Luftstrom blockiert, verringert sich die Kühlkapazität.
- Damit Sie die maximale Menge Lebensmittel im Kühlbereich Ihres Kühlschranks einlagern können, sollten Sie die oberen Schubladen herausnehmen und auf die Glasablage stellen. Der angegebene Energieverbrauch Ihres Kühlschranks wurde ohne Kühlbereich, Eisablage und obere Schubladen zur Erzielung maximalen Stauraums ermittelt. Beim Einlagern wird die Verwendung der unteren Schublade dringend empfohlen. Für optimalen Energieverbrauch sollte die Energiesparfunktion aktiviert werden.
- Platzieren Sie Lebensmittel nicht vor dem Lüfter, damit die Luftzirkulation nicht blockiert wird. Halten Sie beim Verstauen von Lebensmitteln einen Mindestabstand von 3 cm vor dem Schutzgitter des Lüfters ein.
- Je nach Produktmerkmalen können Sie durch Auftauen gefrorener Lebensmittel im Kühlbereich Energie sparen und die Qualität der Lebensmittel bewahren.
- Lebensmittel sollten zur Gewährleistung eines geringen Energieverbrauchs und zum Schutz der Lebensmittel unter besseren Bedingungen in den Schubladen im Kühlbereich verstaut werden.
- Verpackte Lebensmittel sollten den Wärmesensor im Kühlfach nicht berühren. Andernfalls kann sich der Energieverbrauch des Gerätes erhöhen.
- Achten Sie darauf, dass Lebensmittel nicht den nachstehend beschriebenen Temperatursensor im Kühlbereich berühren.

### 4.2. Erste Inbetriebnahme

Stellen Sie vor Inbetriebnahme Ihres Kühlschranks sicher, dass die erforderlichen Vorbereitungen entsprechend den Anweisungen in den Abschnitten „Hinweise zu Sicherheit und Umwelt“ und „Installation“ getroffen wurden.

- Lassen Sie den Kühlschrank etwa 6 Stunden lang leer arbeiten; verzichten Sie in dieser Zeit möglichst vollständig auf das Öffnen der Türen.



Beim Anspringen des Kompressors sind Geräusche zu hören. Es ist normal, dass das Gerät auch bei inaktivem Kompressor Geräusche macht; diese werden durch komprimierte Flüssigkeiten und Gase im Kühlsystem verursacht.



Die Vorderkanten des Kühlschranks können sich etwas erwärmen. Dies ist völlig normal. Diese Bereiche wärmen sich etwas auf, damit sich kein Kondenswasser bildet.



Bei einigen Modellen verdunkelt sich das Anzeigefeld automatisch 5 Minuten nach Schließen der Tür. Beim Öffnen der Tür oder bei Betätigung einer Taste wird es wieder aktiviert.

## 5 Produkt verwenden

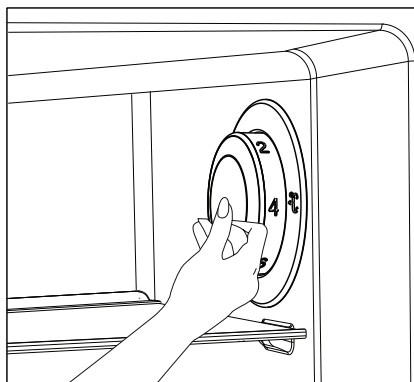
### 5.1. Temperatureinstelltaste

Die Innentemperatur Ihres Kühlschranks hängt teilweise von folgenden Einflüssen ab:


- Umgebungstemperatur
- Häufiges Öffnen der Tür, Offenstehen der Tür über längere Zeit
- Einlagern von Lebensmitteln, ohne diese zuvor auf Raumtemperatur abkühlen zu lassen.
- Platzierung des Kühlschranks innerhalb des Raumes (z. B. im direkten Sonnenlicht).
- Da die Innentemperatur aufgrund solcher Faktoren variieren kann, können Sie sie über den Temperatureinstellknopf anpassen.

Die Ziffern rund um den Einstellknopf zeigen die Temperatur in „°C“.

Falls die Umgebungstemperatur 20 °C beträgt, sollten Sie die Kühlschranktemperatur auf 4 °C anpassen. Bei anderen Umgebungstemperaturen kann dieser Wert angepasst werden.




### 5.2. Schnellgefrieren

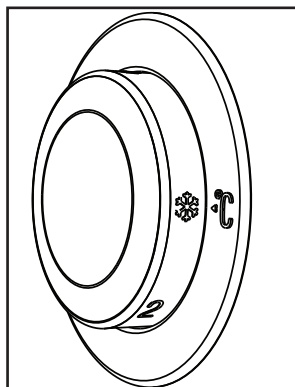
Wenn Sie große Mengen frischer Lebensmittel einfrieren möchten, stellen Sie den Temperatureinstellknopf auf die Position  ein, bevor Sie die Lebensmittel in den Tiefkühlbereich geben.

Wir empfehlen, den Knopf mindestens 24 Stunden lang in dieser Position zu belassen – so können Sie die maximale Menge an Gefriergut verarbeiten. Achten Sie vor allem darauf, gefrorene und frische Lebensmittel nicht zu vermischen.

Denken Sie daran, den Temperatureinstellknopf anschließend auf seine vorherige Position einzustellen.

### 5.3. Urlaubsfunktion

Falls die Gerätetüren (  ) mindestens 12 Stunden lang nach Anpassung des Temperatureinstellknopfs auf die höchste Position nicht geöffnet werden, wird automatisch die Urlaubsfunktion aktiviert.



**Trifft möglicherweise nicht auf alle Modelle zu**

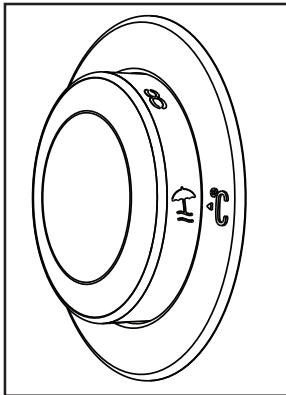


\* **Optional:** Die Abbildungen in dieser Anleitung dienen lediglich der Veranschaulichung und müssen nicht absolut exakt mit Ihrem Produkt übereinstimmen. Falls Ihr Produkt nicht über die entsprechenden Teile verfügt, betreffen die Informationen andere Modelle.

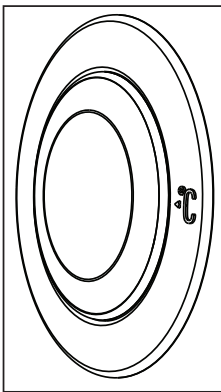
## Produkt verwenden

Zum Abbrechen der Funktion muss der Knopf auf eine andere Position eingestellt werden.

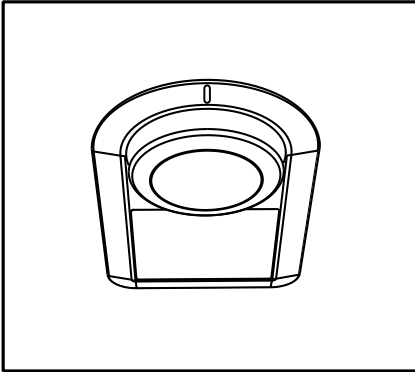
Wir raten davon ab, Lebensmittel bei aktiver Urlaubsfunktion im Kühlbereich aufzubewahren.



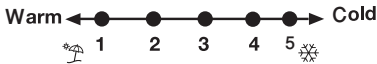
- Nach Abschluss der Einstellung können Sie den Temperatureinstellknopf durch Hineindrücken verbergen.



## Produkt verwenden



Die Betriebstemperatur wird über die Temperatursteuerung reguliert.



### 1=Schwächste Kühlung (wärmste Einstellung)

### 4=Stärkste Kühlung (kälteste Einstellung)

Die Durchschnittstemperatur im Inneren des Kühlschranks sollte bei etwa +5 °C liegen.

Bitte wählen Sie die der gewünschten Temperatur entsprechende Einstellung.

Bitte beachten Sie, dass im Kühlbereich unterschiedliche Temperaturen herrschen.

Der kälteste Bereich befindet sich unmittelbar über dem Gemüsefach.

Die Innentemperatur hängt auch von der Umgebungstemperatur ab, außerdem davon, wie oft die Tür geöffnet wird und wie viel Lebensmittel im Inneren gelagert werden.

Beim häufigen Öffnen der Tür steigt die Innentemperatur an.

Aus diesem Grund empfehlen wir, die Tür möglichst schnell wieder zu schließen.

### 5.4. Thermostateinstelltaste

Die Innentemperatur Ihres Kühlschranks hängt teilweise von folgenden Einflüssen ab:

- Umgebungstemperatur
- Häufigkeit der Türöffnungen, Offenstehen der Tür über längere Zeit

- Einlagern von Lebensmitteln, ohne diese zuvor auf Raumtemperatur abkühlen zu lassen
- Platzierung des Kühlschranks innerhalb des Raumes (z. B. im direkten Sonnenlicht).
- Zum Anpassen der Innentemperatur an solche Einflüsse benutzen Sie das Thermostat. Die Zahlen rund um die Thermostateinstelltaste zeigen die Kühlungsleistung an.
- Falls die Umgebungstemperatur mehr als 32 °C beträgt, wählen Sie die höchstmögliche Thermostateinstellung.
- Sofern die Umgebungstemperatur weniger als 25 °C beträgt, wählen Sie die geringste Thermostateinstellung.

### 5.5. Abtauen

#### Kühlbereich

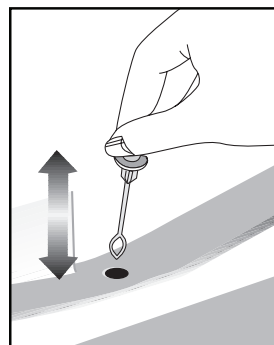
Der Kühlbereich taut vollautomatisch ab. Im Betrieb können sich Wassertropfen und eine 7 – 8 mm starke Eisschicht an der Innenwand des Kühlbereiches absetzen. Dies ist vollkommen normal und ein Nebeneffekt des Kühlsystems. Dank des automatischen Abtausystems an der Rückwand wird das Eis in bestimmten Abständen automatisch abgetaut. Weder Eis noch Wassertropfen müssen manuell entfernt werden.

Beim Abtauen läuft das Tauwasser in die Ablaufrinne und fließt anschließend zum Verdampfer – hier verdunstet das Wasser automatisch.

Der Tiefkühlbereich wird nicht automatisch abgetaut, da es ansonsten schnell zum Verderben gefrorener Lebensmittel kommen könnte.

Der Tiefkühlbereich taut automatisch ab.

Überzeugen Sie sich regelmäßig davon, dass der Ablauf nicht verstopft ist; beseitigen Sie eventuelle Verstopfungen mit dem Stäbchen.



**Trifft möglicherweise nicht auf alle Modelle zu**

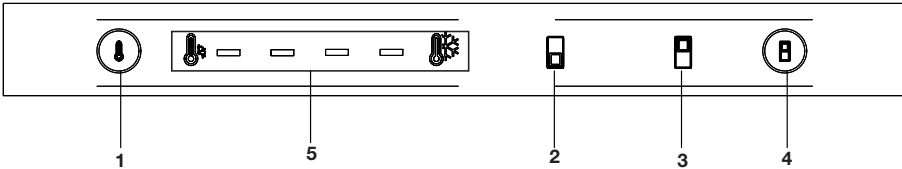


## Produkt verwenden

### 5.6. Anzeigefeld

Die Anzeigefelder können je nach Modell etwas anders ausfallen.

Audiovisuelle Funktionen am Anzeigefeld helfen Ihnen bei der Bedienung Ihres Gerätes.



1. Taste zur Änderung des Kühlwertes: Dient der Anpassung des Kühlwertes von Kühl- und Tiefkühlbereich. Wenn Sie diese Taste drücken, während die Tiefkühlbereichsanzeige (2) leuchtet, ändert sich die Kühlung des Tiefkühlbereichs. Wenn Sie diese Taste drücken, während die Kühlbereichsanzeige (3) leuchtet, ändert sich die Kühlung des Kühlbereichs.
2. Tiefkühlbereichsanzeige: Wenn diese Anzeige aktiv ist, wird der aktuelle Kühlwert des Tiefkühlbereichs an der Kühlanzeige (5) angezeigt. Sie können die Taste zum Ändern des Kühlwertes (1) drücken, um den Kühlwert des Tiefkühlbereichs zu ändern.
3. Kühlbereichsanzeige: Wenn diese Anzeige aktiv ist, wird der aktuelle Kühlwert des Kühlbereichs an der Kühlanzeige (5) angezeigt. Sie können die Taste zum Ändern des Kühlwertes (1) drücken, um den Kühlwert des Kühlbereichs zu ändern.
4. Kühlbereichsauswahl Taste: Dient der Auswahl von Kühl- und Tiefkühlbereich.
5. Kühlanzeige: Zeigt den Kühlwert des ausgewählten Bereichs. Kühlwert erhöht von links nach rechts.

### Trifft möglicherweise nicht auf alle Modelle zu



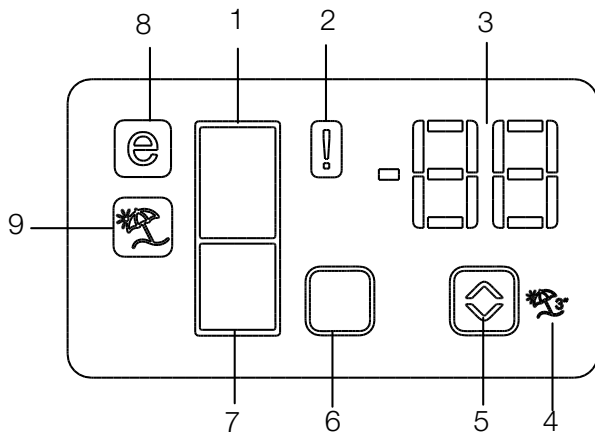
\* **Optional:** Die Abbildungen in dieser Anleitung sind skizzenhaft und stimmen möglicherweise nicht exakt mit Ihrem Produkt überein. Falls Ihr Produkt nicht über die entsprechenden Teile verfügt, betreffen die Informationen andere Modelle.

## Produkt verwenden

### 5.7. Anzeigefeld

Die Anzeigefelder können je nach Modell etwas anders ausfallen.

Audiovisuelle Funktionen am Anzeigefeld helfen Ihnen bei der Bedienung Ihres Gerätes.



1. Kühlbereichsanzeige
2. Fehlerstatusanzeige
3. Temperaturanzeige
4. Urlaubstaste
5. Temperatureinstelltaste
6. Kühlbereichsauswahl Taste
7. Tiefkühlbereichsanzeige
8. Energiesparmodusanzeige
9. Urlaubsfunktionanzeige

\* optional

**Trifft möglicherweise nicht auf alle Modelle zu**



\* **Optional:** Die Abbildungen in dieser Anleitung sind skizzenhaft und stimmen möglicherweise nicht exakt mit Ihrem Produkt überein. Falls Ihr Produkt nicht über die entsprechenden Teile verfügt, betreffen die Informationen andere Modelle.

## Produkt verwenden

### 1. Kühlbereichsanzeige

Die Kühlbereichsanzeige leuchtet beim Einstellen der Kühlbereichtemperatur auf.

### 2. Fehlerstatusanzeige

Falls der Kühlschrank nicht genügend kühlt oder ein Sensor ausfällt, wird diese Anzeige aktiv. Wenn diese Anzeige aktiv ist, zeigt die Tiefkühlbereichstemperaturanzeige „E“, die Kühlbereichstemperaturanzeige Zahlen an; z. B. 1, 2, 3, ... Diese Zahlen der Anzeige helfen Kundendienstmitarbeitern, einen Fehler einzugrenzen.

### 3. Temperaturanzeige

Zeigt Tiefkühl- und Kühlbereichtemperatur.

### 4. Urlaubstaste

Zum Aktivieren dieser Funktion halten Sie die Urlaubstaste 3 Sekunden lang gedrückt. Wenn die Urlaubsfunktion aktiv ist, erscheint „-“ in der Kühlbereichstemperaturanzeige; der Kühlbereich wird nun nicht mehr aktiv gekühlt. Wenn diese Funktion aktiv ist, sollten keine Lebensmittel im Kühlbereich aufbewahrt werden. Andere Bereiche werden entsprechend der eingestellten Temperatur weiterhin gekühlt.

Zum Aufheben dieser Funktion drücken Sie die

**Urlaubstaste** noch einmal.

### 5. Temperatureinstelltaste

Ändert die Temperatur des jeweiligen Bereiches zwischen -24 °C und -18 °C sowie 8 °C und 1 °C.

### 6. Kühlbereichsauswahlstaste

Auswahlstaste: Mit der Kühlbereichsauswahlstaste schalten Sie zwischen Kühlbereich und Tiefkühlbereich um.

### 7. Tiefkühlbereichsanzeige

Die Kühlbereichsanzeige leuchtet beim Einstellen der Tiefkühlbereichtemperatur auf.

### 8. Energiesparmodusanzeige

Zeigt an, dass das Kühlgerät besonders energiesparend arbeitet. Diese Anzeige wird aktiv, wenn die Tiefkühlbereichtemperatur auf -18 °C eingestellt ist.

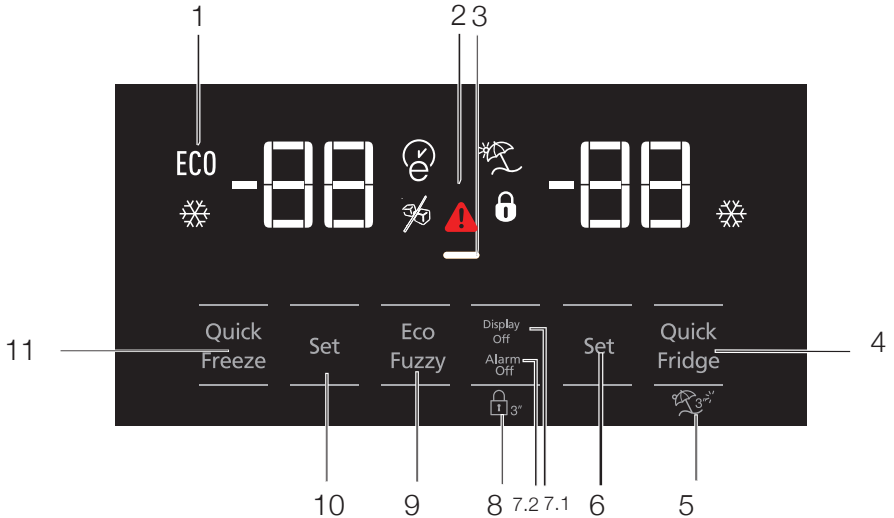
### 9. Urlaubsfunktionanzeige

Zeigt an, dass die Urlaubsfunktion aktiv ist.

## Produkt verwenden

### 5.8. Anzeigefeld

Das Anzeigefeld ermöglicht Ihnen die Einstellung der Temperatur und die Steuerung anderer Funktionen, ohne dass Sie die Tür des Produktes öffnen müssen. Drücken Sie einfach die Beschriftungen der entsprechenden Tasten zur Funktionseinstellung.



- 1- Ökonomischer Einsatz
- 2- Hohe Temperatur / Fehleralarm
- 3- Energiesparfunktion (Display aus)
- 4- Schnellkühlen
- 5- Urlaubsfunktion
- 6- Kühlbereichtemperatureinstellung
- 7- Energiesparen (Display aus)/ Alarm-Aus-Warnung
- 8- Bedienfeldsperre
- 9- Öko-Fuzzy
- 10- Tiefkühlbereichtemperatureinstellung
- 11- Schnellgefrieren

**Trifft möglicherweise nicht auf alle Modelle zu**



**\* Optional:** Die Abbildungen in dieser Anleitung dienen lediglich der Veranschaulichung und müssen nicht absolut exakt mit Ihrem Produkt übereinstimmen. Falls Ihr Produkt nicht über die entsprechenden Teile verfügt, betreffen die Informationen andere Modelle.

## Produkt verwenden

### 1. Ökonomischer Einsatz

Dieses Zeichen leuchtet auf, wenn die Temperatur des Tiefkühlbereichs auf -18 °C eingestellt ist; dies ist die ökonomischste Einstellung. (ECO) Die Öko-Anzeige erlischt, wenn Schnellkühlen oder Schnellgefrieren ausgewählt werden.

### 2. Hohe Temperatur / Fehleralarm

Diese Anzeige (⚠) leuchtet bei Temperaturfehlern oder Fehleralarmen auf.

Diese Anzeige leuchtet bei einem Stromausfall, zu hohen Innentemperaturen und sonstigen Fehler. Bei längeren Stromausfällen blinkt die höchste Temperatur, die der Tiefkühlbereich erreichen kann, in der digitalen Anzeige. Drücken Sie nach Kontrolle der Lebensmittel im Tiefkühlfach zum Aufheben des Alarms die Alarm-aus-Taste.

### 3. Energiesparfunktion (Display aus)

Falls die Gerätetüren lange Zeit geschlossen bleiben, wird die Energiesparfunktion automatisch aktiviert und das Energiesparsymbol leuchtet. Bei aktiver Energiesparfunktion erlöschen sämtliche Display-Symbole mit Ausnahme des Energiesparsymbols. Die Energiesparfunktion wird aufgehoben, sobald Tasten betätigt werden oder die Tür geöffnet wird. Das Display zeigt wieder die normalen Symbole. Die Energiesparfunktion wird während der Lieferung ab Werk aktiviert und kann nicht aufgehoben werden.

### 4. Schnellkühlen

Wenn die Schnellkühlfunktion eingeschaltet ist, leuchtet die Schnellkühlanzeige (❄) auf und die Temperaturanzeige des Kühlbereichs zeigt den Wert 1. Drücken Sie zum Abbrechen dieser Funktion erneut die Schnellkühl Taste. Die Schnellkühlanzeige erlischt, die normalen Einstellungen werden wiederhergestellt. Die Schnellkühlfunktion wird nach 1 Stunde automatisch abgebrochen, sofern sie nicht zuvor bereits manuell abgebrochen wurde. Zum Kühlen großer Mengen frischer Lebensmittel drücken Sie die Schnellkühl Taste, bevor Sie Lebensmittel in den Kühlbereich geben.

### 5. Urlaubsfunktion

Drücken Sie zum Aktivieren der Urlaubsfunktion 3 Sekunden die Taste (⏸); dadurch wird die Urlaubsmodusanzeige (🌴) aktiviert. Wenn die Urlaubsfunktion aktiv ist, zeigt die Temperaturanzeige des Kühlbereichs „-“ und der Kühlbereich wird nicht gekühlt. Diese Funktion ist nicht geeignet, um Lebensmittel im Kühlbereich aufzubewahren. Andere Bereiche werden entsprechend der für den jeweiligen Bereich eingestellten Temperatur weiterhin gekühlt. Zum Abbrechen dieser Funktion drücken Sie die **Urlaubstaste** noch einmal.

### 6. Kühlbereichtemperatureinstellung

Nach Betätigung der Taste kann die Kühlbereichtemperatur entsprechend auf 8, 7, 6, 5, 4, 3, 2 oder 1 eingestellt werden. (🔧)

#### 7. 1 Energiesparen (Display aus)

Bei Betätigung dieser Taste (⏻) leuchtet das Energiesparsymbol (🔌) auf und die Energiesparfunktion wird aktiviert. Mit Aktivierung der Energiesparfunktion werden alle anderen Symbole am Display abgeschaltet. Wird bei aktiver Energiesparfunktion eine Taste gedrückt oder die Tür geöffnet, schaltet sich die Energiesparfunktion aus und alle Displaysignale kehren in den Normalzustand zurück. Durch erneute Betätigung dieser Taste (⏻) werden das Energiesparsymbol und die Energiesparfunktion deaktiviert.

#### 7.2 Alarm-Aus-Warnung

Bei einem Stromausfall/Temperaturalarm drücken Sie nach Befüllen des Tiefkühlbereichs mit Lebensmitteln die Alarm-aus-Taste zum Aufheben der Warnung.


### 8. Bedienfeldsperre

Halten Sie die Bedienfeldsperre-Taste (🔒) 3 Sekunden lang gedrückt. Das Bedienfeldsperre-Symbol (🔒) leuchtet auf und die Bedienfeldsperre wird aktiviert. Die Tasten sind bei eingeschalteter Bedienfeldsperre inaktiv. Halten Sie die Bedienfeldsperre-Taste erneut 3 Sekunden lang gedrückt. Das Bedienfeldsperre-Symbol erlischt, die Bedienfeldsperre wird abgeschaltet.

Drücken Sie die **Bedienfeldsperre-Taste** (🔒), wenn Sie Änderungen an den Temperatureinstellungen die Kühlschranks verhindern möchten.

## Produkt verwenden

### 9. Öko-Fuzzy

Zum Aktivieren der Öko-Fuzzy-Funktion halten Sie die Öko-Fuzzy-Taste 1 Sekunde lang gedrückt. Wenn diese Funktion aktiv ist, wechselt der Tiefkühlbereich nach mindestens 6 Stunden in den Ökomodus, die Öko-Anzeige leuchtet auf. Zum Deaktivieren der Öko-Fuzzy-Funktion () halten Sie die Öko-Fuzzy-Taste erneut 3 Sekunden lang gedrückt.


Wenn die Öko-Fuzzy-Funktion aktiv ist, leuchtet die Anzeige nach 6 Stunden auf.

### 10. Tiefkühlbereichtemperatureinstellung

Die Temperatur im Tiefkühlbereich ist einstellbar. Mit der Taste kann die Temperatur des Tiefkühlbereichs auf -18, -19, -20, -21, -22, -23 oder -24 eingestellt werden. ()

### 11. Schnellgefrieren

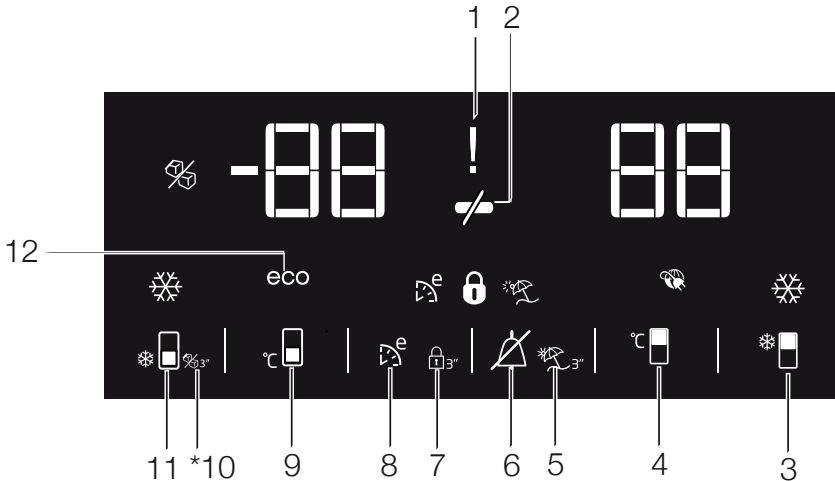
Drücken Sie zum Schnellgefrieren die Taste; dadurch wird die Schnellgefrieranzeige () aktiviert.

Wenn die Schnellgefrierfunktion eingeschaltet ist, leuchtet die Schnellgefrieranzeige auf und die Temperaturanzeige des Tiefkühlbereichs zeigt den Wert -27. Zum Aufheben dieser Funktion drücken Sie die Schnellgefrieranzeige () noch einmal. Die Schnellgefrieranzeige erlischt, die normalen Einstellungen werden wiederhergestellt. Die Schnellgefrierfunktion wird nach 24 Stunden automatisch abgebrochen, sofern sie nicht zuvor bereits manuell abgebrochen wurde. Zum Einfrieren großer Mengen frischer Lebensmittel drücken Sie die Schnellgefrieranzeige, bevor Sie Lebensmittel in den Tiefkühlbereich geben.

## Produkt verwenden

### 5.9. Anzeigefeld

Das Anzeigefeld ermöglicht Ihnen die Einstellung der Temperatur und die Steuerung anderer Funktionen, ohne dass Sie die Tür des Produktes öffnen müssen. Drücken Sie einfach die Beschriftungen der entsprechenden Tasten zur Funktionseinstellung.



#### 1. Stromausfall-/Hochtemperatur-/Fehler-Warnanzeige

Diese Anzeige (⚡) signalisiert einen Stromausfall, zu hohe Innentemperaturen und sonstige Fehler. Bei längeren Stromausfällen blinkt die höchste Temperatur, die der Tiefkühlbereich erreicht, im digitalen Display. Drücken Sie nach Prüfung der im Tiefkühlbereich (❄️) gelagerten Lebensmittel zum Löschen der Warnung die Alarm-aus-Taste.

#### 2. Energiesparfunktion (Display aus):

Wenn die Gerätetüren lange Zeit geschlossen bleiben, wird die Energiesparfunktion automatisch aktiviert und das Energiesparsymbol leuchtet auf. (🔌)

Bei aktiver Energiesparfunktion erlöschen sämtliche Display-Symbole mit Ausnahme des Energiesparsymbols. Die Energiesparfunktion wird

aufgehoben, sobald Tasten betätigt werden oder die Tür geöffnet wird. Das Display zeigt wieder die normalen Symbole.

Die Energiesparfunktion wird während der Lieferung ab Werk aktiviert und kann nicht aufgehoben werden.

#### 3. Schnellkühlen

Diese Taste erfüllt zwei Funktionen. Zum Ein- und Ausschalten der Schnellkühlfunktion drücken Sie die Taste einmal kurz. Die Schnellkühlenanzeige erlischt, der Kühlschrank arbeitet wieder mit normalen Einstellungen.



**Trifft möglicherweise nicht auf alle Modelle zu**



\* **Optional:** Die Abbildungen in dieser Anleitung sind skizzenhaft und stimmen möglicherweise nicht exakt mit Ihrem Produkt überein. Falls Ihr Produkt nicht über die entsprechenden Teile verfügt, betreffen die Informationen andere Modelle.

## Produkt verwenden



Die Schnellkühlfunktion nutzen Sie, wenn Sie Lebensmittel im Kühlbereich besonders schnell abkühlen möchten. Wenn Sie große Mengen frischer Lebensmittel kühlen möchten, sollten Sie diese Funktion vor dem Einlagern der Lebensmittel einschalten.



Sofern Sie diese Funktion nicht vorzeitig abschalten, wird das Schnellkühlen beendet, sobald die nötige Temperatur erreicht ist, spätestens jedoch nach 8 Stunden.



Sollten Sie die Schnellkühl Taste mehrmals innerhalb kurzer Zeit drücken, greift eine elektronische Schutzschaltung ein und sorgt dafür, dass der Kompressor nicht sofort anläuft.



Diese Funktion wird nach einem Stromausfall nicht automatisch wieder eingeschaltet.

### 4. Kühlbereichtemperatur-Einstelltaste

Durch mehrmaliges Drücken dieser Taste stellen Sie die Kühlbereichtemperatur auf 8 °, 7 °, 6 °, 5 °, 4 °, 3 °, 2 °, 8 °C ... ein. Mit dieser Taste stellen Sie die gewünschte Kühlbereichtemperatur ein.

### 5. Urlaubsfunktion

Drücken Sie zum Aktivieren der Urlaubsfunktion 3 Sekunden diese Taste ; dadurch wird die Urlaubsmodusanzeige aktiviert. Wenn die Urlaubsfunktion aktiv ist, erscheint „-“ in der Kühlbereichtemperaturanzeige; der Kühlbereich wird nun nicht mehr aktiv gekühlt. Wenn diese Funktion aktiv ist, sollten keine Lebensmittel im Kühlbereich aufbewahrt werden. Andere Bereiche werden entsprechend der eingestellten Temperatur weiterhin gekühlt.

Zum Aufheben dieser Funktion drücken Sie die **Urlaubsfunktionstaste** noch einmal.

### 6. Alarm-aus-Warnung:

Drücken Sie bei einem Alarm wegen Stromausfalls/ hoher Temperatur nach Prüfung der im Tiefkühlbereich gelagerten Lebensmittel zum Löschen der Warnung die Alarm-aus-Taste .

### 7. Tastensperre

Halten Sie die Tastensperre-Taste 3 Sekunden lang gedrückt. Das Tastensperre-Symbol leuchtet auf, die Tastensperre ist aktiv. Bei aktiver Tastensperre reagiert das Gerät nicht auf Tastenbetätigungen. Halten Sie die Tastensperre-Taste noch einmal 3 Sekunden lang gedrückt. Das Tastensperre-Symbol erlischt, die Tastensperre wird abgeschaltet.

Verwenden Sie die **Tastensperre**-Taste, wenn Sie Änderungen der Temperatureinstellung des Kühlschranks verhindern möchten ().

### 8. Öko-Fuzzy

Drücken und halten Sie die Öko-Fuzzy-Taste zum Aktivieren der Öko-Fuzzy-Funktion 1 Sekunde. Spätestens sechs Stunden später arbeitet Ihr Kühlgerät besonders ökonomisch; die Energiesparanzeige leuchtet . Drücken und halten Sie die Öko-Fuzzy-Taste zum Deaktivieren der Öko-Fuzzy-Funktion 3 Sekunden.

Diese Anzeige leuchtet nach 6 Stunden auf, wenn Öko-Fuzzy aktiv ist.

### 9. Tiefkühlbereichtemperatur-Einstelltaste

Durch mehrmaliges Drücken dieser Taste stellen Sie die Tiefkühlbereichtemperatur auf -18 °, -19 °, -20 °, -21 °, -22 °, -23 °, -24 °, -18 °C, ... ein. Mit dieser Taste stellen Sie die gewünschte Temperatur des Tiefkühlbereiches ein.

### 10. Eisbereiter-aus-Anzeige

Zeigt an, ob der Eisbereiter ein- oder ausgeschaltet ist. Bei der Einstellung Ein ist der Eisbereiter abgeschaltet. Zum Einschalten des Eisbereiters halten Sie die Ein-/Austaste 3 Sekunden lang gedrückt.



Bei der Auswahl dieser Funktion wird kein Wasser mehr aus dem Tank zugeführt. Bereits vorbereitetes Eis kann aber nach wie vor aus dem Eisbereiter entnommen werden.

### 11. Schnellgefrierfaste/Eisbereiter-ein/aus-Taste

Mit dieser Taste schalten Sie die Schnellgefrierfunktion ein und aus. Wenn diese Funktionen aktiv ist, wird der Tiefkühlbereich besonders stark (über die eingestellte Temperatur hinaus) gekühlt.



## Produkt verwenden

Zum Ein- und Ausschalten des Eisbereiters halten Sie die Taste 3 Sekunden lang gedrückt.



Die Schnellgefrierfunktion nutzen Sie, wenn Sie die Lebensmittel im Tiefkühlbereich besonders schnell abkühlen möchten. Wenn Sie große Mengen frischer Lebensmittel kühlen möchten, sollten Sie diese Funktion vor dem Einlagern der Lebensmittel einschalten.




Sofern Sie diese Funktion nicht vorzeitig abschalten, wird das Schnellgefrieren beendet, sobald die nötige Temperatur erreicht ist, spätestens jedoch nach 4 Stunden.



Diese Funktion wird nach einem Stromausfall nicht automatisch wieder eingeschaltet.

### 12. Energiesparanzeige

Zeigt an, dass das Gerät besonders energiesparend arbeitet.  Diese Anzeige leuchtet auf, wenn die Temperatur des Tiefkühlbereiches auf -18 °C eingestellt ist oder das Gerät mit der Öko-Extra-Funktion besonders ökonomisch arbeitet.



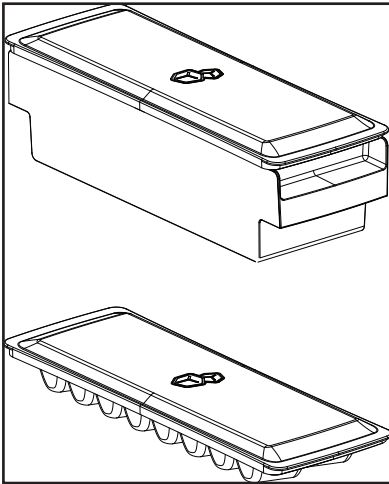
Die Energiesparanzeige erlischt, wenn Sie Schnellkühlen oder Schnellgefrieren zuschalten.

## Produkt verwenden

### 5.10. Eisbehälter

#### (optional)

- Nehmen Sie den Eisbehälter aus dem Tiefkühlbereich.
- Füllen Sie den Eisbehälter mit Trinkwasser.
- Geben Sie den Eisbehälter in den Tiefkühlbereich.
- Das Eis ist nach etwa zwei Stunden fertig. Nehmen Sie den Eisbehälter aus dem Tiefkühlbereich und biegen Sie ihn leicht über dem Gefäß, das Sie servieren möchten. Das Eis gelangt in den Behälter.



### 5.11. Eierhalter

Sie können den Eierhalter in der Tür oder auf der Ablage Ihrer Wahl platzieren. Falls Sie sich für die Ablagen entscheiden, sollten Sie tiefer gelegene Ablagen wählen, da es dort kühler ist.

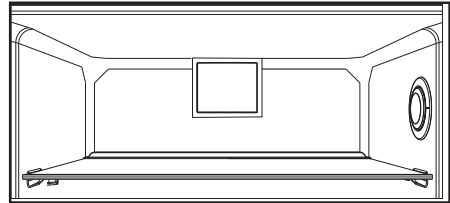


Geben Sie den Eierhalter nicht in den Tiefkühlbereich.

### 5.12. Lüfter

Der Lüfter wurde dazu entwickelt, die kalte Luft im Inneren Ihres Kühlschranks gleichmäßig zu verteilen. Je nach Modell und Bedarf arbeitet der Lüfter auf unterschiedliche Weise.

Während der Lüfter in einigen Produkten nur mit einem Kompressor arbeitet, ermittelt in anderen Modellen ein Kontrollsystem die Betriebszeit basierend auf den Kühlanforderungen.



### 5.13. Gemüsefach

#### (optional)

Das Gemüsefach des Produktes ist darauf ausgelegt, Gemüse durch Bewahren der Feuchtigkeit frisch zu halten. Aus diesem Grund wird die Gesamtzirkulation kalter Luft im Gemüsefach intensiviert.

### 5.14. 0-Grad-Fach

#### (optional)

Bewahren Sie in diesem Bereich Feinkost bei geringeren Temperaturen oder schnell verderbliche Fleischprodukte auf.

Das 0-Grad-Fach ist der kälteste Bereich, in dem Sie Lebensmittel, wie Milchprodukte, Fleisch, Fisch und Geflügel, bei idealen Lagerungsbedingungen aufbewahren können. Gemüse und/oder Obst gehören nicht in dieses Fach.

## Produkt verwenden

### 5.15. Das zweite Gemüsefach des Produktes verwenden

#### Abbildung 1.



Wie abgebildet gibt es im zweiten Gemüsefach des Produktmodells K70560 2 Stopper.



#### Abbildung 2.

Das zweite Gemüsefach sieht im geschlossenen Zustand wie in Abbildung 2 aus.



#### Abbildung 3.

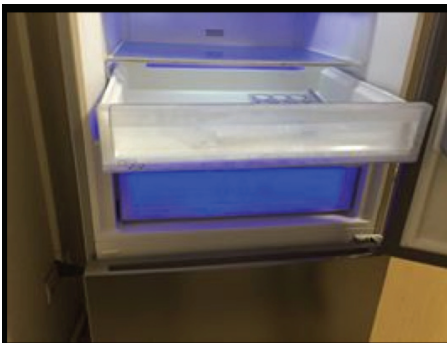
Ziehen Sie das zweite Gemüsefach wie in Abbildung 3 gezeigt bis zum ersten Stopper, wenn die Tür um 90 Grad geöffnet ist.

Falls die Schublade weiter geöffnet ist, öffnen Sie zunächst die Tür um mindestens 135 Grad. Anschließend heben Sie das zweite Gemüsefach wie in Abbildung 4 gezeigt um etwa 5 mm an, sodass es vom ersten Stopper befreit wird.



#### Abbildung 4.

Ziehen Sie die zweite Schublade nach dem Anheben wie in Abbildung 5 gezeigt bis zum zweiten Stopper nach oben.



#### Abbildung 5.

## Produkt verwenden

### 5.16. Bewegliche Türablage

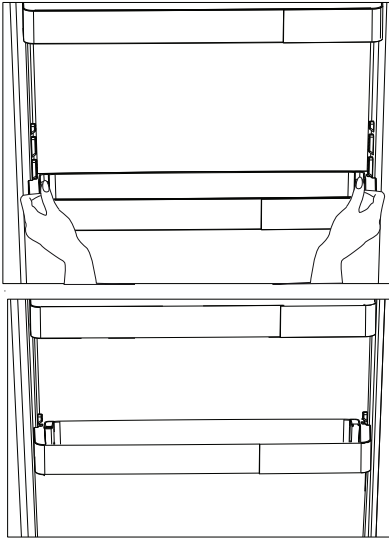
#### (optional)

Die bewegliche Türablage kann in 3 verschiedenen Positionen fixiert werden.

Zum Bewegen der Ablage drücken Sie die Tasten an der Seite gleichmäßig. Die Ablage wird beweglich.

Bewegen Sie die Ablage nach oben oder unten.

Wenn sich die Ablage in der gewünschten Position befindet, lassen Sie die Tasten los. Die Ablage wird wieder in der Position fixiert, in der Sie die Tasten losgelassen haben.

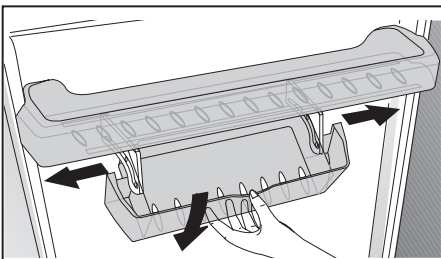


### 5.17. Verschiebbarer Vorratsbehälter

#### (optional)

Dieses Zubehör ist so konstruiert, dass das Volumen der Türablagen vergrößert wird.

Dank seiner Fähigkeit zur Seitwärtsbewegung können Sie mühelos lange Flaschen, Gläser oder Kartons im Flaschenhalter darunter verstauen.



### 5.18. HerbBox/HerbFresh

Das Foliengehäuse vom HerbBox/HerbFresh+ entfernen.

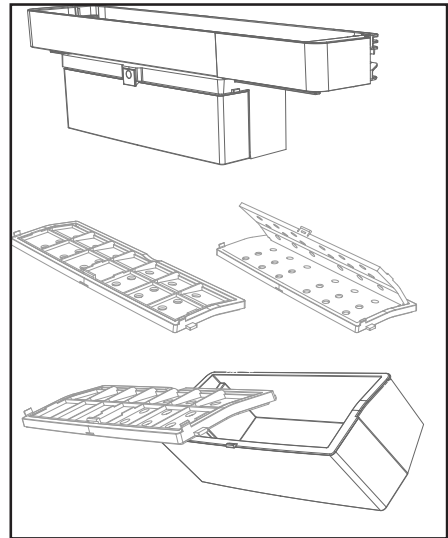
Nehmen Sie die Folie aus dem Beutel und legen Sie es wie auf der Abbildung angezeigt in das Foliengehäuse.

Schließen Sie das Gehäuse und legen Sie es wieder in die HerbBox/HerbFresh+.

Die HerbBox-HerbFresh+ Fächer sind besonders ideal für Kräuter, die in empfindlichen Bedingungen aufbewahrt werden müssen.

Ihr Grünzeug (Petersilie, Dill, usw.), das aus seinem Beutel ausgepackt wurde, können Sie in diesem Fach in horizontaler Position länger frisch aufbewahren.

Die Schicht wird alle sechs Monate ausgetauscht.



## Produkt verwenden

### 5.19. Feuchtigkeitskontrolliertes Gemüsefach

#### (optional)

Dank der Feuchtigkeitsregelung bleibt der Feuchtigkeitsgehalt von Gemüse und Obst unter Kontrolle, die Lebensmittel bleiben länger frisch.

Es wird empfohlen, Blattgemüse, wie Salat, Spinat und dergleichen, das zu Feuchtigkeitsverlust neigt, nicht auf den Wurzeln, sondern nach Möglichkeit in horizontaler Position im Gemüsefach aufzubewahren.

Beim Einlagern von Gemüse platzieren Sie schweres, hartes Gemüse im unteren Bereich und leichtes, weiches Gemüse darüber; achten Sie auf das jeweilige Gewicht der Lebensmittel.

Lassen Sie Gemüse nicht in Plastikbeuteln im Gemüsefach. Bleibt das Gemüse in Plastikbeuteln, kann es in kurzer Zeit verderben. Falls Kontakt mit anderem Gemüse vermieden werden soll, sollten Sie Verpackungsmaterialien wie Papier verwenden, die eine bestimmte Durchlässigkeit in Sachen Hygiene aufweisen.

Geben Sie Obst mit einer hohen Ethylenfreisetzung, wie Birnen, Aprikosen, Pfirsiche und bestimmte Apfelsorten, nicht mit anderem Obst und Gemüse in das Gemüsefach. Das von solchen Früchten freigesetzte Ethylen kann dazu führen, dass anderes Obst und Gemüse in kurzer Zeit reift und verdirbt.

### 5.20. Automatischer Eisbereiter

#### (optional)

Der automatische Eisbereiter ermöglicht Ihnen die einfache Bereitung von Eis in Ihrem Kühlschrank. Damit Sie Eis vom Eisbereiter erhalten, nehmen Sie den Wassertank aus dem Kühlbereich, füllen ihn mit Wasser und setzen ihn wieder ein.

Nach etwa zwei Stunden liegen die ersten Eiswürfel in der Eisbereiter-Schublade im Kühlbereich für Sie bereit.

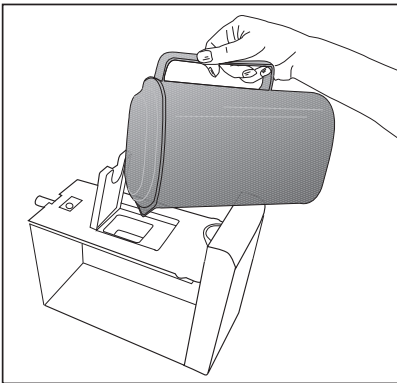
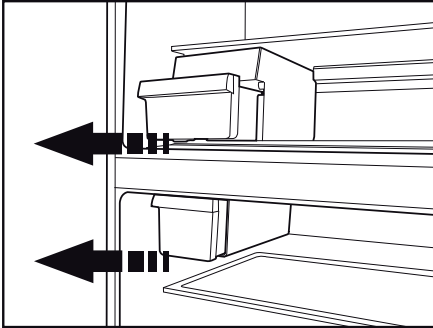
Nach Einsetzen des vollen Wassertanks erhalten Sie 60 bis 70 Eiswürfel, bis er vollständig leer ist.

Wenn das Wasser 2 bis 3 Wochen im Tank war, sollte es ausgewechselt werden.

## Produkt verwenden



In Produkten mit automatischem Eisbereiter hören Sie möglicherweise einen Ton beim Ausgießen von Eis. Dieser Ton ist völlig normal und keine Zeichen für einen Fehler.



### 5.21. Eisbereiter und Eisbehälter (optional)

#### Eisbereiter verwenden

Füllen Sie den Eisbereiter mit Wasser, setzen Sie ihn in seine Halterung. Ihr Eis ist nach etwa zwei Stunden fertig. Zum Entnehmen des Eises nehmen Sie den Eisbereiter nicht heraus.

Drehen Sie die Knöpfe daran um 90 ° im Uhrzeigersinn.

Die Eiswürfel fallen in den darunter liegenden Eiswürfelbehälter.

Sie können den Eisbehälter zum Servieren der Eiswürfel herausnehmen.

Wenn Sie möchten, können Sie das Eis auch im Eisbehälter aufbewahren.

#### Eisbehälter

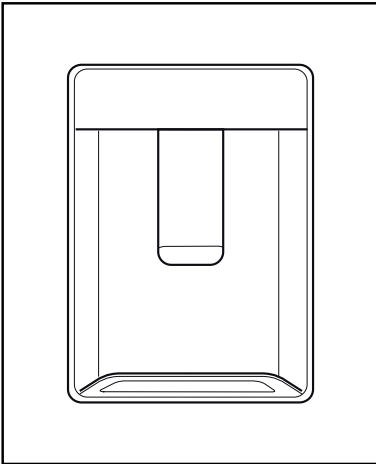
Der Eisbehälter dient ausschließlich zum Sammeln der Eiswürfel. Füllen Sie kein Wasser ein. Der Behälter wird sonst platzen.

## Produkt verwenden

### 5.22. Wasserspender

#### (bei bestimmten Modellen)

Der Wasserspender ist eine praktische Einrichtung, mit der Sie kühles Wasser zapfen können, ohne dabei die Tür Ihres Kühlschranks öffnen zu müssen. Da Sie die Tür des Gerätes nicht häufig öffnen müssen, sparen Sie eine Menge Energie.



#### 5.23. So benutzen Sie den Wasserspender

Drücken Sie mit dem Glas gegen den Hebel des Wasserspenders. Die Wasserausgabe stoppt, sobald der Hebel losgelassen wird.

Den schnellsten Durchfluss erreichen Sie, wenn Sie den Hebel komplett eindrücken. Denken Sie daran, dass die Stärke des Wasserdurchflusses davon abhängt, wie weit der Hebel eingedrückt wird.

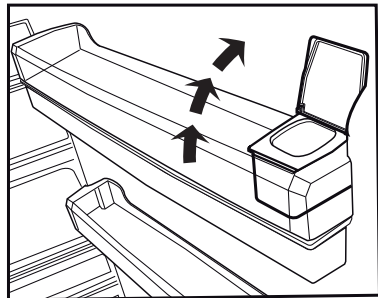
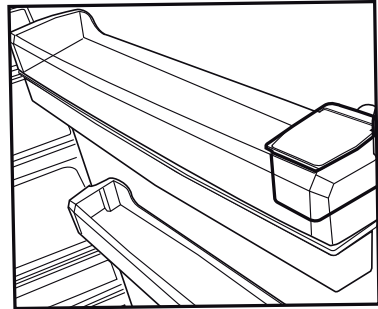
Geben Sie den Hebel langsam wieder frei, sobald das Glas fast vollständig gefüllt ist, damit nichts überläuft. Das Wasser tritt nur tropfenweise aus, wenn Sie den Hebel nur leicht betätigen; dies ist völlig normal.

#### Wasserbehälter füllen

Der Wassertank befindet sich an der Innenseite der Türablage. Öffnen Sie die Abdeckung des Behälters, füllen Sie Trinkwasser ein. Schließen Sie anschließend den Deckel.

#### Warnung!

- Füllen Sie den Wassertank nur mit sauberem Trinkwasser, nicht mit anderen Flüssigkeiten gleich welcher Art. Falls andere Flüssigkeiten eingefüllt werden, kann der Wasserspender irreparabel beschädigt werden. Solche



Beschädigungen werden nicht durch die Garantie abgedeckt. Viele Flüssigkeiten und Getränke enthalten Zusätze, die das Material des Wassertanks angreifen können.

- Nutzen Sie ausschließlich klares Trinkwasser.
- Die Kapazität des Wassertanks beträgt 3 Liter; füllen Sie nicht mehr hinein.
- Drücken Sie mit einem haltbaren Glas gegen den Hebel des Wasserspenders. Falls Sie Einwegbecher verwenden, betätigen Sie den Hebel mit dem Finger.

#### 5.24. Wassertank reinigen

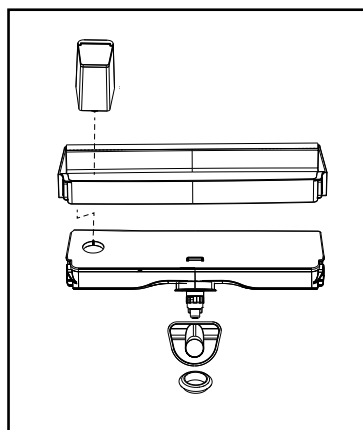
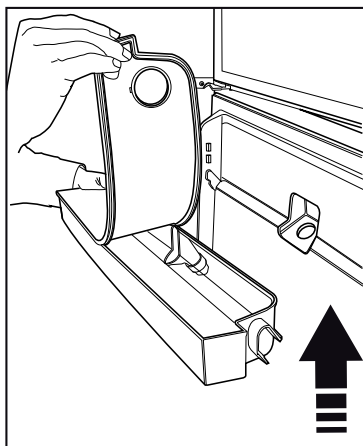
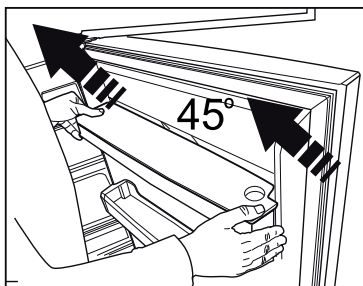
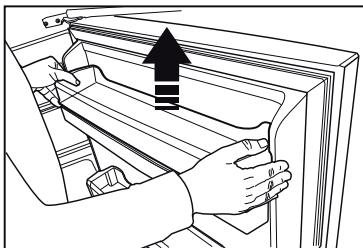
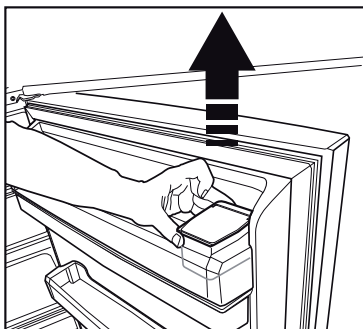
- Entfernen Sie den Füllbehälter auf der Innenseite der Türablage.
- Entfernen Sie die Türablage, indem Sie diese an beiden Seiten greifen.

## Produkt verwenden

- Greifen Sie den Wassertank an beiden Seiten und entfernen ihn in einem Winkel von 45 °C.
- Öffnen Sie die Abdeckung und reinigen den Wassertank.

### Wichtig:

Die Komponenten des Wasserspenders und des Wassertanks sollten nicht in der Spülmaschine gereinigt werden.





## Produkt verwenden

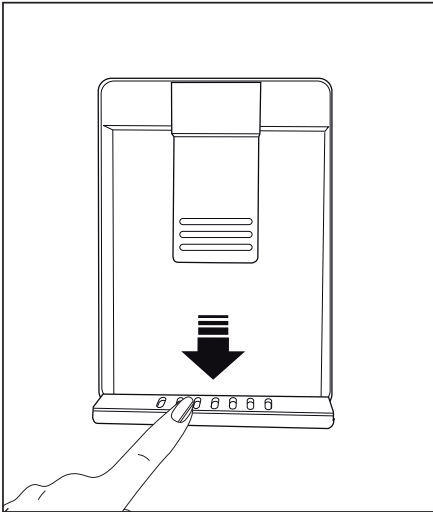
### 5.25. Tropfschale

Wasser, das bei der Nutzung des Wasserspenders heruntertropft, sammelt sich in der Tropfschale.

Nehmen Sie das Kunststoffsieb wie in der Abbildung gezeigt heraus.

Entfernen Sie angesammeltes Wasser mit einem sauberen, trockenen Tuch.

**Achtung:** Nur an Trinkwasserleitungen anschließen.



## Produkt verwenden

### 5.26. Frische Lebensmittel tiefkühlen

- Zur Gewährleistung der Lebensmittelqualität müssen im Tiefkühlbereich gelagerte Lebensmittel so schnell wie möglich eingefroren werden; nutzen Sie dazu die Schnellgefrierfunktion.
- Das Einfrieren frischer Lebensmittel verlängert die Aufbewahrungsdauer im Tiefkühlbereich.
- Verpacken Sie Lebensmittel in sicher verschlossenen luftdichten Behältern.
- Stellen Sie sicher, dass die Lebensmittel verpackt sind, bevor Sie sie in den Tiefkühlbereich geben. Verwenden Sie statt herkömmlichen Packpapiers tiefkühlgeeignete Behälter, Alufolie und feuchtigkeitsbeständiges Papier, Plastikbeutel oder ähnliche Verpackungsmaterialien.



Eis im Tiefkühlbereich taut automatisch.

- Beschriften Sie die Behälter vor dem Einfrieren mit dem Datum. Dadurch können Sie beim Öffnen des Tiefkühlbereichs stets die Frische der verpackten Lebensmittel prüfen. Bewahren Sie ältere Lebensmittel weiter vorne auf, damit sie zuerst verbraucht werden.

- Gefrorene Lebensmittel müssen unmittelbar nach dem Auftauen verbraucht und dürfen nicht wieder eingefroren werden.
- Frieren Sie nicht zu große Mengen auf einmal ein.

1. Geben Sie Lebensmittel so schnell wie möglich in den Tiefkühlbereich, damit sie nicht auftauen.
2. Prüfen Sie vor dem Einfrieren, ob das Verfallsdatum auf der Verpackung bereits abgelaufen ist.
3. Stellen Sie sicher, dass die Lebensmittelverpackung nicht beschädigt ist.

### 5.28. Hinweise zum Tiefkühlbereich

Gemäß den Standards IEC 62552 muss der Tiefkühlbereich über die Kapazität verfügen, 4,5 kg Lebensmittel bei -18 °C oder geringeren Temperaturen je 100 Liter Volumen des Tiefkühlbereichs in 24 Stunden einzufrieren.

Tiefkühlbereich temperatureinstellung	Kühlbereich temperatureinstellung	Details
-18 °C	4 °C	Dies ist die allgemein empfohlene Einstellung.
-20 °C, -22 °C oder -24 °C	4 °C	Diese Einstellungen empfehlen wir bei Umgebungstemperaturen über 30 °C.
Schnellgefrieren	4 °C	Diese Funktion nutzen Sie zum Einfrieren von Lebensmitteln in kurzer Zeit. Wenn der Vorgang endet, nimmt das Produkt wieder seine Position ein.
-18 °C und kälter	2 °C	Nutzen Sie diese Einstellungen, falls Sie meinen, dass der Kühlbereich aufgrund der Umgebungstemperatur oder zu häufigen Öffnens und Schließens der Tür nicht kalt genug wird.

### 5.27. Empfehlungen zur Lagerung gefrorener Lebensmittel

Der Bereich muss auf mindestens -18 °C eingestellt sein.

## Produkt verwenden

Lebensmittel können nur bei Temperaturen von -18 °C und darunter längere Zeit aufbewahrt werden.

Sie können Lebensmittel monatelang frisch halten (im Tiefkühlbereich bei oder unter 18 °C).

Lebensmittel, die eingefroren werden sollen, dürfen keine bereits eingefrorenen Lebensmittel berühren, da diese andernfalls antauen könnten.

Gekochtes Gemüse und gefiltertes Wasser können länger im Tiefkühlbereich aufbewahrt werden. Geben Sie die Lebensmittel nach dem Filtern in luftdichten Verpackungen in den Tiefkühlbereich. Bananen, Tomaten, Salat, Sellerie, gekochte Eier, Kartoffeln und ähnliche Lebensmittel sollten nicht eingefroren werden. Falls diese Lebensmittel verderben, werden nur Nährwert und Geschmack negativ beeinträchtigt. Es besteht keine Gefahr für die menschliche Gesundheit.

### 5.29. Lebensmittel einlagern

Tiefkühlbereich- Ablagen	Unterschiedliche gefrorene Lebensmittel wie Fleisch, Fisch, Speiseeis, Gemüse etc.
Kühlbereich- Ablagen	Lebensmittel in Töpfen, auf abgedeckten Tellern und in bedeckten Behältern, Eier (in abgedecktem Behälter)
Kühlbereich- Türablagen	Kleine und verpackte Lebensmittel oder Getränke
Gemüsefach	Obst und Gemüse
Frischlebensmittelbereich	Feinkost (Frühstücksprodukte, schnell verderbliche Fleischprodukte)

### 5.30. Tür-offen-Alarm

#### (optional)

Wenn die Gerätetür mindestens 1 Minute offen bleibt, wird ein akustischer Alarm ausgegeben.

Dieser akustische Alarm verstummt, sobald Sie die Tür schließen oder eine beliebige Taste am Display (sofern vorhanden) drücken.

Der Tür-offen-Alarm wird sowohl akustisch als auch visuell ausgegeben. Die Innenbeleuchtung schaltet sich aus, wenn die Warnung 10 Minuten lang anhält.

### 5.31. Wechseln des Türanschlags

Sie können den Türanschlag Ihres Kühlschranks je nach Aufstellungsort wechseln. Wenden Sie sich in diesem Fall an den autorisierten Kundendienst in Ihrer Nähe.

Die obige Erklärung ist allgemeiner Natur. Sie sollten das Warnschild in der Produktverpackung auf Möglichkeit zum Wechseln des Türanschlags prüfen.

### 5.32. Innenbeleuchtung

Die Innenbeleuchtung nutzt eine LED-Lampe.

Wenden Sie sich bei jeglichen Problemen mit dieser Lampe an den autorisierten Kundendienst.

Die in diesem Gerät verwendete(n) Lampe(n) können nicht zur Raumbelichtung verwendet werden. Der vorgesehene Zweck dieser Lampe dient dem sicheren und komfortablen Einlagern von Lebensmitteln im Kühl- / Tiefkühlbereich.

## 6 Wartung und Reinigung

Die Einsatzdauer des Produktes verlängert sich und häufige Probleme lassen nach, wenn das Produkt regelmäßig gereinigt wird.



**WARNUNG:** Schalten Sie das Gerät ab, bevor Sie es reinigen.



**WARNUNG:** Es wird empfohlen, den Kondensator alle sechs Monate mit Handschuhen zu reinigen. Sie dürfen keine Staubsauger verwenden.

- Verwenden Sie zu Reinigungszwecken niemals Benzin oder ähnliche Substanzen.
- Verwenden Sie zur Reinigung niemals scharfe Gegenstände, Seife, Haushaltsreiniger, Waschmittel oder Wachspolituren.
- Lösen Sie einen Teelöffel Natron in einem halben Liter Wasser auf. Tränken Sie ein Tuch mit der Lösung, wringen Sie das Tuch gut aus. Waschen Sie die Innenflächen des Kühlschranks gründlich mit diesem Tuch ab; anschließend gut trocknen.
- Achten Sie darauf, dass kein Wasser in das Lampengehäuse oder in andere elektrische Komponenten eindringt.
- Falls Sie den Kühlschrank längere Zeit nicht benutzen, ziehen Sie den Netzstecker, nehmen sämtliche Lebensmittel heraus, reinigen das Gerät und lassen die Tür offen stehen.
- Prüfen Sie die Türdichtungen regelmäßig auf Sauberkeit. Bei Bedarf reinigen.
- Nehmen Sie zum Entfernen der Tür- und Gehäuseablagen alle Gegenstände aus dem Produkt heraus.
- Ziehen Sie die Türablagen nach oben heraus. Setzen Sie die Ablagen nach der Reinigung wieder ein, indem Sie sie nach unten schieben.
- Reinigen Sie Außenflächen und verchromte Teile des Produktes niemals mit chlorhaltigen Reinigern oder Wasser. Chlor greift Metalloberflächen an.
- Bei Geräten ohne No-Frost-Einrichtung können Wassertropfen entstehen und sich mit der Zeit bis zu fingerbreite Eisschichten an Rückwand und Seiten des Tiefkühlfachs bilden. Niemals reinigen; niemals Öl oder andere Substanzen aufbringen.

- Verwenden Sie nur ein leicht angefeuchtetes Mikrofasertuch zum Reinigen der Geräteaußenflächen. Scheuerschwämme oder grobe Reinigungstücher könnten die Oberflächen verkratzen.

### 6.1. Unangenehme Gerüche verhindern

Bei der Herstellung Ihres Kühlschranks wurde darauf geachtet, dass keine Materialien verwendet werden, die unangenehme Gerüche verursachen können. Allerdings können Gerüche abgesondert werden, wenn Lebensmittel falsch aufbewahrt werden oder die Innenseite des Gerätes nicht wie erforderlich gereinigt wird. Dieses Problem können Sie mit folgenden Hinweisen vermeiden:

- Es ist wichtig, dass Kühlschrank sauber zu halten. Lebensmittelreste, Verschmutzungen usw. können Gerüche verursachen. Reinigen Sie den Kühlschrank daher alle 15 Tage mit etwas in Wasser aufgelöstem Natron. Verzichtern Sie grundsätzlich auf Reinigungsmittel und Seifen.
- Bewahren Sie Ihre Lebensmittel in geschlossenen Behältern auf. Mikroorganismen aus Behältern ohne Deckel können unangenehme Gerüche verursachen.
- Bewahren Sie keine abgelaufenen oder verdorbenen Lebensmittel in Ihrem Kühlschrank auf.

### 6.2. Kunststoffflächen schützen

Geben Sie keine Öle oder stark fetthaltige Speisen offen in Ihren Kühlschrank – dadurch können die Kunststoffflächen angegriffen werden. Sollten Kunststoffteile einmal mit Öl in Berührung kommen, reinigen Sie die entsprechenden Stellen möglichst sofort mit warmem Wasser.

### 6.3. Innenfläche reinigen

Reinigen Sie die Innenflächen und alle herausnehmbaren Teile mit einer milden Lösung aus Seife, Wasser und Karbonat. Gründlich abspülen und abtrocknen Achten Sie darauf, dass Wasser nicht mit Leuchtmitteln und Bedienfeld in Berührung kommt.



**ACHTUNG:**

Reinigen Sie die Innenflächen nicht mit Essig, Reinigungsalkohol oder anderen alkoholbasierten Reinigern.

#### 6.4. Edelstahl-Außenflächen

Verwenden Sie einen nicht scheuernden Edelstahl-Reiniger und tragen Sie ihn auf ein fusselfreies, weiches Tuch auf. Zum Polieren wischen Sie die Oberfläche vorsichtig mit einem feuchten Mikrofaser Tuch und einem trockenen Fensterleder ab. Folgen Sie immer den Strängen des Edelstahls.

#### 6.5. Produkte mit Glastüren reinigen

Entfernen Sie die Schutzfolie von den Scheiben. Die Oberfläche der Scheiben ist beschichtet. Diese Beschichtung minimiert Fleckenbildung und sorgt dafür, dass sich Flecken und Schmutz leicht entfernen lassen. Auf Scheiben, die nicht durch eine Beschichtung geschützt sind, können sich dauerhaft organische oder anorganische in Luft oder Wasser befindliche Verunreinigungen, wie Kalk, Mineralsalze, unverbrannte Kohlenwasserstoffe, Metalloxide und Silikone, ablagern, die innerhalb kurzer Zeit zu Flecken und Materialschäden führen. Trotz regelmäßiger Reinigung lässt sich das Glas nur mit großer Mühe sauber halten. Dadurch lassen Klarheit und Aussehen der Scheiben nach. Aggressive und scheuernde Reinigungsmittel und Methoden verstärken diese Mängel weiter und beschleunigen den Verschleiß.

\*Verwenden Sie zur regelmäßigen Reinigung Mittel auf Wasserbasis, die weder alkalisch noch scheuernd sind. Damit die Beschichtung lange hält, dürfen während der Reinigung keine alkalischen oder scheuernden Substanzen zum Einsatz kommen.

Die Scheiben wurden zur Erhöhung ihrer Stoß- und Bruchfestigkeit gehärtet.

Als zusätzliche Sicherheitsmaßnahme befindet sich auf der Rückseite der Scheiben eine Sicherheitsfolie, damit das Glas keine Schäden im Umfeld anrichtet, falls es bricht.

Bitte arbeiten Sie diese Liste durch, bevor Sie sich an den Kundendienst wenden. Das kann Ihnen Zeit und Geld sparen. Diese Liste enthält häufig aufgetretene Probleme, die nicht auf Material- oder Verarbeitungsfehler zurückzuführen sind. Nicht alle hier beschriebenen Funktionen sind bei jedem Modell verfügbar.

#### Der Kühlschrank schaltet sich nicht ein.

- Möglicherweise ist er nicht richtig angeschlossen. >>> Schließen Sie das Gerät richtig an.
- Die entsprechende Haussicherung ist herausgesprungen oder durchgebrannt. >>> Prüfen Sie die Sicherung.

#### Kondensation an den Seitenwänden des Kühlbereiches (Multizone, Kühlkontrolle und FlexiZone).

- Die Tür wurde häufig geöffnet/geschlossen. >>> Verzichten Sie auf häufiges Öffnen/Schließen der Kühlschranktür.
- Die Umgebung könnte zu feucht sein. >>> Installieren Sie das Kühlschrank nicht an sehr feuchten Orten.
- Lebensmittel mit hohem Feuchtigkeitsgehalt wurden in Behältern ohne Deckel in den Kühlschrank gegeben. >>> Geben Sie Lebensmittel mit hohem Feuchtigkeitsgehalt nicht in offenen Behältern in den Kühlschrank.
- Die Kühlschranktür steht offen. >>> Halten Sie die Kühlschranktüren nur möglichst kurz geöffnet.
- Das Thermostat wurde auf eine sehr niedrige Temperatur eingestellt. >>> Stellen Sie das Thermostat auf einen geeigneten Wert ein.

#### Der Kompressor arbeitet nicht.

- Eine Schutzschaltung stoppt den Kompressor bei kurzzeitigen Unterbrechungen der Stromversorgung und wenn das Gerät zu oft und schnell ein- und ausgeschaltet wird, um eine Überdruck des Kühlmittels im System zu vermeiden. Der Kühlschrank beginnt nach etwa sechs Minuten wieder zu arbeiten. Bitte wenden Sie sich an den autorisierten Kundendienst, falls Ihr Kühlschrank nach Ablauf dieser Zeit nicht wieder zu arbeiten beginnt.
- Das Kühlgerät wird abgetaut. >>> Dies ist bei einem Kühlschrank mit vollautomatischem Abtauen völlig normal. Das Gerät wird regelmäßig abgetaut.
- Der Kühlschrank ist nicht angeschlossen. >>> Achten Sie darauf, dass der Stecker in die Steckdose passt.
- Die Temperatureinstellungen stimmen nicht. >>> Wählen Sie den richtigen Temperaturwert.
- Es liegt ein Stromausfall vor. >>> Der Kühlschrank setzt seinen Betrieb fort, wenn die Stromversorgung wiederhergestellt ist.

#### Das Betriebsgeräusch nimmt zu, wenn der Kühlschrank arbeitet.

- Das Leistungsverhalten des Kühlgerätes kann sich je nach Umgebungstemperatur ändern. Dies ist völlig normal und keine Fehlfunktion.

#### Der Kühlschrank arbeitet sehr intensiv oder über eine sehr lange Zeit.

- Ihr neues Gerät ist vielleicht etwas größer als sein Vorgänger. Große Kühlgeräte arbeiten oft längere Zeit.
- Die Umgebungstemperatur ist eventuell sehr hoch. >>> Bei hohen Umgebungstemperaturen arbeitet das Gerät etwas länger.
- Der Kühlschrank wurde erst vor Kurzem in Betrieb genommen oder mit Lebensmitteln gefüllt. >>> Wenn das Gerät erst vor Kurzem in Betrieb genommen oder mit Lebensmitteln gefüllt wurde, dauert es etwas länger, bis die eingestellte Temperatur erreicht ist. Dies ist völlig normal.
- Kurz zuvor wurden größere Mengen warmer Speisen in den Kühlschrank gestellt. >>> Geben Sie keine warmen oder gar heißen Speisen in den Kühlschrank.
- Die Türen wurden häufig geöffnet oder längere Zeit nicht richtig geschlossen. >>> Der Kühlschrank muss länger arbeiten, weil warme Luft in den Innenraum eingedrungen ist. Vermeiden Sie häufiges Öffnen der Türen.
- Die Tür des Kühl- oder Tiefkühlbereichs war nur angelehnt. >>> Vergewissern Sie sich, dass die Türen richtig geschlossen wurden.
- Die Kühlschranktemperatur ist sehr niedrig eingestellt. >>> Stellen Sie die Kühlschranktemperatur höher ein. Warten Sie dann ab, bis diese Temperatur erreicht ist.
- Die Türdichtungen von Kühl- oder Gefrierbereich sind verschmutzt, verschlissen, beschädigt oder sitzen nicht richtig. >>> Reinigen oder ersetzen Sie die Dichtung. Beschädigte oder defekte Dichtungen führen dazu, dass der Kühlschrank länger arbeiten muss, um die Temperatur halten zu können.

#### Die Temperatur im Kühlbereich ist angemessen, während Temperatur im Tiefkühlbereich sehr niedrig ist.

# Problemlösung

- Die Tiefkühlbereichstemperatur ist sehr niedrig eingestellt. >>> Tiefkühlbereichstemperatur höher einstellen, Temperatur nach einer Weile prüfen.

## Die Temperatur im Tiefkühlbereich ist angemessen, während die Temperatur im Kühlbereich sehr niedrig ist.

- Die Kühltemperatur ist sehr niedrig eingestellt. >>> Stellen Sie die Kühltemperatur wärmer ein, prüfen Sie die Temperatur nach einer Weile.

## Im Kühlbereich gelagerte Lebensmittel frieren ein.

- Die Kühlbereichstemperatur ist sehr hoch eingestellt. >>> Kühlbereichstemperatur niedriger einstellen, Temperatur nach einer Weile prüfen.

## Die Temperatur im Kühl- oder Tiefkühlbereich ist sehr hoch.

- Die Kühlbereichstemperatur ist sehr hoch eingestellt. >>> Die Kühlbereichstemperatur wirkt sich auf die Temperatur des Tiefkühlbereichs aus. Stellen Sie den Kühl- oder Tiefkühlbereich auf eine geeignete Temperatur ein.
- Türen wurden häufig geöffnet oder längere Zeit nicht richtig geschlossen. >>> Verzichten Sie auf häufiges Öffnen der Türen.
- Die Tür wurde eventuell nicht richtig geschlossen. >>> Tür richtig schließen.
- Der Kühlschrank wurde erst vor Kurzem in Betrieb genommen oder mit Lebensmitteln gefüllt. >>> Dies ist normal. Wenn das Gerät erst vor Kurzem in Betrieb genommen oder mit Lebensmitteln gefüllt wurde, dauert es etwas länger, bis die eingestellte Temperatur erreicht ist.
- Kurz zuvor wurden größere Mengen warmer Speisen in den Kühlschrank gestellt. >>> Geben Sie keine warmen oder gar heißen Speisen in den Kühlschrank.

## Vibrationen oder Betriebsgeräusche.

- Der Boden ist nicht stabil oder gerade. >>> Falls der Kühlschrank bei Bewegung leicht wackelt, richten Sie ihn mit den Füßen aus. Achten Sie darauf, dass der Boden eben ist und das Gewicht des Kühlschranks problemlos tragen kann.
- Gegenstände, die auf dem Kühlschrank abgestellt wurden, können Geräusche verursachen. >>> Nehmen Sie die Gegenstände herunter.

## Fließ- oder Spritzgeräusche sind zu hören.

- Aus technischen Gründen bewegen sich Flüssigkeiten und Gase innerhalb des Gerätes. >>> Dies ist völlig normal und keine Fehlfunktion.

## Der Kühlschrank pfeift.

- Im Inneren befinden sich Gebläse zum Kühlen des Gerätes. Dies ist völlig normal und keine Fehlfunktion.

## Feuchtigkeit an den Kühlschrankinnenflächen.

- Bei heißen und feuchten Wetterlagen treten verstärkt Eisbildung und Kondensation auf. Dies ist völlig normal und keine Fehlfunktion.
- Türen wurden häufig geöffnet oder längere Zeit nicht richtig geschlossen. >>> Verzichten Sie auf häufiges Öffnen der Türen. Schließen Sie die Türen, falls sie offen sind.
- Eine Tür wurde eventuell nicht richtig geschlossen. >>> Tür richtig schließen.

## Feuchtigkeit sammelt sich an der Außenseite des Kühlschranks oder an den Türen an.

- Hohe Luftfeuchtigkeit. Dies ist bei feuchtem Wetter völlig normal. >>> Die Kondensation verschwindet, wenn der Feuchtigkeitsgehalt abnimmt.
- Externer Feuchtigkeitsniederschlag im Bereich zwischen den beiden Türen des Kühlschranks, wenn das Gerät selten benutzt wird. Dies ist völlig normal. Der Feuchtigkeitsniederschlag verschwindet bei häufiger Verwendung.

## Unangenehmer Geruch im Kühlschrank.

- Das Gerät wurde nicht regelmäßig gereinigt. Reinigen Sie das Innere des Kühlschranks mit einem Schwamm, den Sie mit lauwarmem oder kohlenensäurehaltigem Wasser angefeuchtet haben.
- Einige Behälter oder Verpackungsmaterialien können Gerüche verursachen. >>> Andere Behälter und Verpackungsmaterialien bzw. Produkte anderer Hersteller verwenden.
- Lebensmittel wurden in Behältern ohne Deckel in den Kühlschrank gegeben. >>> Lebensmittel in geschlossenen Behältern aufbewahren. Mikroorganismen aus Behältern ohne Deckel können unangenehme Gerüche verursachen.
- Nehmen Sie abgelaufene oder verdorbene Lebensmittel aus dem Kühlschrank.

## Die Tür kann nicht geschlossen werden.

- Lebensmittelpackungen verhindern ein vollständiges Schließen der Tür. >>> Entfernen Sie die Verpackungen, welche die Tür blockieren.
- Der Kühlschrank hat keinen stabilen Stand. >>> Passen Sie die Kühlschrankfüße so an, dass der Kühlschrank in Waage ist.
- Der Boden ist nicht eben oder nicht stabil genug. >>> Achten Sie darauf, dass der Boden eben ist und das Gewicht des Kühlschranks problemlos tragen kann.

# Problemlösung

## Das Gemüsefach klemmt.

- Lebensmittel könnten die obere Wand des Gemüsefachs berühren. >>> Verteilen Sie die Lebensmittel im Gemüsefach anders.

## Wenn die Geräteoberfläche heiß ist.

Die Bereiche zwischen den beiden Türen, an den Seitenflächen und hinten am Grill können im Betrieb sehr heiß werden. Dies ist völlig normal und weist nicht auf eine Fehlfunktion hin.

## Gebälse läuft weiter, wenn die Tür geöffnet wird.

Es ist normal, dass das Gebläse weiterläuft, wenn die Tür des Tiefkühlbereichs geöffnet wird.

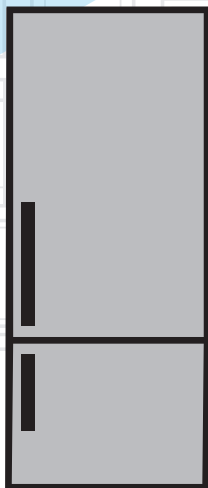


**WARNUNG:** Falls sich ein Problem nicht mit den Hinweisen in diesem Abschnitt lösen lassen sollte, wenden Sie sich bitte an Ihren Händler oder an den autorisierten Kundendienst. Versuchen Sie niemals, ein fehlerhaftes Produkt selbst zu reparieren.



# Chłodziarka

## Instrukcja użytkownika



PLI

**beko**

Drogi kliencie,

Chcemy, abyś mógł uzyskać optymalną efektywność naszego produktu, który został wyprodukowany w nowoczesnym zakładzie i przy drobiazgowej kontroli jakości.

W tym celu prosimy przeczytać całą instrukcję obsługi przed użyciem produktu i przechowywać ją do ewentualnego użycia w przyszłości. Jeśli ten produkt zostanie przekazany innej osobie, prosimy przekazać tę instrukcję wraz z produktem.

### **Instrukcja obsługi zapewnia szybkie i bezpieczne korzystanie z produktu.**

- Przed zainstalowaniem i rozpoczęciem korzystania z produktu należy przeczytać instrukcję obsługi.
- Należy zawsze przestrzegać mających zastosowanie instrukcji dotyczących bezpieczeństwa.
- Instrukcję obsługi należy mieć pod ręką, aby móc łatwo z niej korzystać.
- Prosimy przeczytać wszelkie inne dokumenty dostarczane wraz z produktem.

Należy pamiętać, że ta instrukcja obsługi może się odnosić do kilku modeli produktu. W instrukcji zostały wyraźnie określone różnice między modelami.

### **Symbole i uwagi**

**W tej instrukcji obsługi są używane następujące symbole:**

	Ważne informacje i przydatne wskazówki.
	Zagrożenie dla życia i majątku.
	Zagrożenie porażeniem elektrycznym.
	Opakowanie produktu jest wykonane z materiałów umożliwiających recykling zgodnie z krajowymi przepisami środowiskowymi.

## **1 Instrukcje dotyczące bezpieczeństwa i środowiska 3**

1.1. Bezpieczeństwo ogólne . . . . .	3
1.1.1 Ostrzeżenie HC . . . . .	4
1.1.2 Dla modeli z wodotryskiem . . . . .	5
1.2. Przeznaczenie . . . . .	5
1.3. Bezpieczeństwo dzieci . . . . .	5
1.4. Zgodność z dyrektywą WEEE i utylizacja odpadowego produktu . . . . .	5
1.5. Zgodność z dyrektywą RoHS . . . . .	6
1.6. Informacje o opakowaniu . . . . .	6

## **2 Oto Twoja chłodziarka 7**

### **3 Instalacja 8**

3.1. Odpowiednie miejsce na instalację . . . . .	8
3.2. Zakładanie klinów plastikowych . . . . .	8
3.3. Regulacja nóżek . . . . .	9
3.4. Połączenie elektryczne . . . . .	9
3.5. Przekładanie drzwi . . . . .	10
3.6. Przekładanie drzwi . . . . .	11

### **4 Przygotowanie 12**

4.1. Co zrobić, aby oszczędzać energię . . . . .	12
4.2. Pierwsze uruchomienie . . . . .	12

### **5 Użytkowanie chłodziarki 13**

5.1. Przycisk regulacji temperatury . . . . .	13
5.2. Szybkie zamrażanie . . . . .	13
5.4. Przycisk ustawiania termostatu . . . . .	14
5.3. Funkcja Vacation [Wakacje] . . . . .	14
5.5. Przycisk ustawiania termostatu . . . . .	15
5.6. Rozmrażanie . . . . .	15
5.7. Panel wskaźników . . . . .	16
5.8. Panel wskaźników . . . . .	17
5.9. Panel wskaźników . . . . .	22
5.10. Pojemnik na lód . . . . .	25
5.11. Pojemnik na jajka . . . . .	25
5.12. Wentylator . . . . .	25
5.13. Pojemnik na warzywa . . . . .	25

5.14. Komora o temperaturze zero . . . . .	25
5.15. Użycie drugiego pojemnika na świeże warzywa . . . . .	26
5.16. Ruchomy stelaż na drzwiach . . . . .	27
5.17. Pojemnik przesuwany . . . . .	27
5.18. Pochłaniacz zapachów . . . . .	27
5.19. Pojemnik na warzywa z kontrolą wilgotności	28
5.20. Automatyczna maszyna do lodu . . . . .	28
5.21. Kostkarka do lodu Icematic i pojemnik na lód . . . . .	29
5.22. Korzystanie z dozownika wody . . . . .	29
5.23. Napełnianie zbiornika dozownika wodą . . . . .	30
5.24. Czyszczenie zbiornika na wodę . . . . .	31
5.26. HerbBox/HerbFresh . . . . .	32
5.25. Tacka na krople . . . . .	32
5.27. Zamrażanie żywności świeżej . . . . .	33
5.28. Przechowywanie żywności mrożonej . . . . .	33
5.29. Informacje o komorze głębokiego zamrażania . . . . .	33
5.30. Rozmieszczenie żywności . . . . .	34
5.31. Alarm o otwartych drzwiach . . . . .	34
5.32. Zmiana kierunku otwierania drzwi . . . . .	34
5.33. Oświetlenie wewnętrzne . . . . .	34

### **6 Konserwacja i czyszczenie 35**

6.1. Jak unikać nieprzyjemnych zapachów . . . . .	35
6.2. Jak zabezpieczać powierzchnie plastikowe . . . . .	35
6.3. Szkło w drzwiach . . . . .	35

### **7 Rozwiązywanie problemów 36**

# 1 Instrukcje dotyczące bezpieczeństwa i środowiska

Ten rozdział zawiera instrukcje dotyczące bezpieczeństwa służące unikaniu obrażeń i szkód materialnych. Nieprzestrzeganie tych instrukcji spowoduje unieważnienie wszelkich typów gwarancji produktu.

## Zamierzone przeznaczenie

	<b>OSTRZEŻENIE:</b> Nie blokuj otworów wentylacyjnych urządzenia ani w zabudowie.
	<b>OSTRZEŻENIE:</b> Nie używaj urządzeń mechanicznych, ani innych środków do przyspieszenia procesu rozmrażania, poza tymi, które zaleca producent.
	<b>OSTRZEŻENIE:</b> Nie uszkudź obiegu chłodzącego.
	<b>OSTRZEŻENIE:</b> Nie używaj urządzeń elektrycznych w komorze do przechowywania żywności, chyba, że są rekomendowane przez producenta.

Urządzenie to jest przeznaczone do użytku domowego lub w podobnych miejscach, np.

- w kuchniach personelu sklepu, biur i innych środowisk pracy;
- gospodarstwa rolne, przez klientów hoteli, moteli i innych miejsc typu mieszkalnego
- pensjonaty;
- catering i podobne aplikacje niehandlo

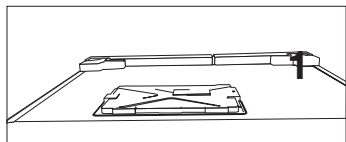
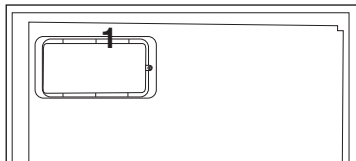
### 1.1. Bezpieczeństwo ogólne

- Produkt nie może być używany przez osoby z niepełnosprawnością fizyczną, czuciową i umysłową, bez

wystarczającej wiedzy i doświadczenia ani przez dzieci. Urządzenie może być używane przez takie osoby pod nadzorem i z użyciem wskazówek osoby odpowiedzialnej za ich bezpieczeństwo. Dzieciom nie wolno się bawić urządzeniem.

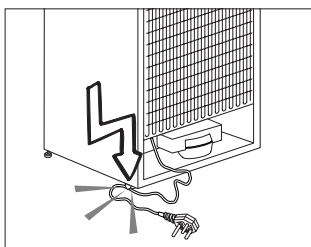
- W przypadku awarii urządzenia należy odłączyć od zasilania.
- Po odłączeniu należy odczekać przynajmniej 5 minut przed jego ponownym podłączeniem. Nieużywane urządzenie należy odłączyć od zasilania. Nie wolno dotykać wtyczki mokrymi rękami! Nie wolno ciągnąć za kabel, aby odłączyć zasilanie, zawsze należy trzymać za wtyk.
- Lodówki nie wolno podłączać do luźnego gniazda.
- Podczas instalacji, konserwacji, czyszczenia i naprawy produkt powinien być odłączony.
- Jeśli produkt nie będzie używany przez dłuższy czas, odłącz zasilanie i usuń całą żywność ze środka.
- Do czyszczenia lodówki i topienia lodu we wnętrzu nie wolno używać pary ani parowanych materiałów czyszczących. Para może trafić na powierzchnie elektryczne i spowodować zwarcie lub porażenie elektryczne!
- Nie wolno myć produktu, spryskując go lub polewając wodą! Zagrożenie porażeniem elektrycznym!
- Nigdy nie korzystaj z urządzenia, jeśli górna lub tylna jego część, zawierająca płytki obwodów drukowanych jest otwarta (osłona płytki obwodów drukowanych) (1).

## Instrukcje dotyczące bezpieczeństwa i środowiska



- W przypadku awarii nie wolno używać produktu, ponieważ może to spowodować porażenie elektryczne. Przed wykonaniem jakichkolwiek czynności należy skontaktować się z autoryzowanym serwisem.
- Produkt należy podłączyć do uziemionego gniazdka. Uziemienie musi być wykonane przez wykwalifikowanego elektryka.
- Jeśli produkt ma oświetlenie typu LED, w celu wymiany lub usunięcia problemu należy się skontaktować z autoryzowanym serwisem.
- Nie wolno dotykać zamrożonej żywności mokrymi rękami! Może ona przymarznąć do rąk!
- Do komory zamrażarki nie wolno wkładać płynów w butelkach ani w puszkach. Mogą one wybuchnąć!
- Płyny należy stawiać pionowo po dokładnym zamknięciu pokrywki.
- W pobliżu produktu nie wolno rozpryskiwać substancji łatwopalnych, ponieważ mogą się one zapalić lub wybuchnąć.
- W lodówce nie wolno przechowywać materiałów łatwopalnych ani produktów z gazem łatwopalnym (aerozoli itp.).

- Na produkcie nie wolno kłaść pojemników z płynem. Zalanie wodą części elektrycznej może spowodować porażenie elektryczne i pożar.
- Narażenie produktu na deszcz, śnieg, bezpośrednie promienie słoneczne i wiatr spowoduje zagrożenie elektryczne. Podczas przemieszczania produktu nie wolno ciągnąć za uchwyt drzwiowy. Uchwyt może nie wytrzymać.
- Należy uważać, aby uniknąć pochwylenia ręki lub innej części ciała przez ruchome części wewnątrz produktu.
- Nie wolno stawać ani opierać się o drzwi, szuflady ani podobne części lodówki. Spowoduje to przewrócenie produktu i uszkodzenie części.
- Należy uważać, aby nie przytrzasnąć kabla zasilania.



### 1.1.1 Ostrzeżenie HC

Jeśli produkt zawiera układ chłodzenia używający gazu R600a, należy uważać, aby nie uszkodzić układu chłodzenia i jego rurki podczas używania i przemieszczania produktu. Ten gaz jest łatwopalny. W razie uszkodzenia układu chłodzenia należy trzymać produkt z dala od źródeł ognia i natychmiast przewietrzyć pomieszczenie.

# Instrukcje dotyczące bezpieczeństwa i środowiska



Etykieta wewnątrz z lewej strony wskazuje typ gazu użyty w produkcie.

## 1.1.2 Dla modeli z wodotryskiem

- Maksymalnie dopuszczalne ciśnienie dla dopływu zimnej wody wynosi 620 kPa (90 psi). Jeśli ciśnienie wody w Państwa instalacji przekroczy 550 kPa (80 psi), należy zastosować zawór ograniczający ciśnienie w Państwa sieci wodociągowej. Jeśli nie wiedzą Państwo w jaki sposób sprawdzić ciśnienie wody, prosimy poprosić o pomoc profesjonalnego hydraulika.
- Jeśli w Państwa instalacji występuje ryzyko uderzenia wodnego, należy zawsze stosować wyposażenie zapobiegające przed uderzeniem wodnym. Jeśli nie mają Państwo pewności co do występowania efektu uderzenia wodnego w swojej instalacji, prosimy zasięgnąć porady u profesjonalnego hydraulika.
- Nie podłączając do dopływu ciepłej wody. Zachować środki ostrożności przed ryzykiem zamarznięcia przewodów. Temperatura robocza wody powinna mieścić się w zakresie od 0,6°C (33°F) do 38°C (100°F).
- Należy używać tylko wody pitnej.

## 1.2. Przeznaczenie

- Ten produkt jest przeznaczony do użytku domowego. Nie jest on przeznaczony do użytku komercyjnego.
- Produkt powinien być używany jedynie do przechowywania żywności i napojów.

- W lodówce nie wolno przechowywać produktów wymagających temperatur kontrolowanych (szczepionek, leków wrażliwych na ciepło, materiałów medycznych itd.).
- Producent nie bierze na siebie odpowiedzialności za jakiegokolwiek uszkodzenia spowodowane niepoprawnym użytkowaniem lub obsługą.
- Oryginalne części zamienne będą dostępne przez 10 lat od daty zakupu produktu.

## 1.3. Bezpieczeństwo dzieci

- Materiały opakowaniowe należy przechowywać poza zasięgiem dzieci.
- Nie wolno pozwalać dzieciom na zabawę produktem.
- Jeśli drzwi produktu mają zamek, klucz należy przechowywać poza zasięgiem dzieci.

## 1.4. Zgodność z dyrektywą WEEE i utylizacja odpadowego produktu

Ten produkt jest zgodny z Dyrektywą UE WEEE (2012/19/UE). Ten produkt ma symbol klasyfikacji zużytego sprzętu elektrycznego i elektronicznego (WEEE).



Ten produkt został wyprodukowany z części i materiałów wysokiej jakości, które nadają się do powtórnego użytku i recyklingu. Po zakończeniu okresu użytkowania nie wolno wyrzucać zużytego produktu wraz z normalnymi odpadami domowymi itp. Należy go dostarczyć do punktu odbioru w celu przeprowadzenia recyklingu sprzętu elektrycznego i elektronicznego. Informacje o tych punktach odbioru można uzyskać od władz lokalnych.

# Instrukcje dotyczące bezpieczeństwa i środowiska

---

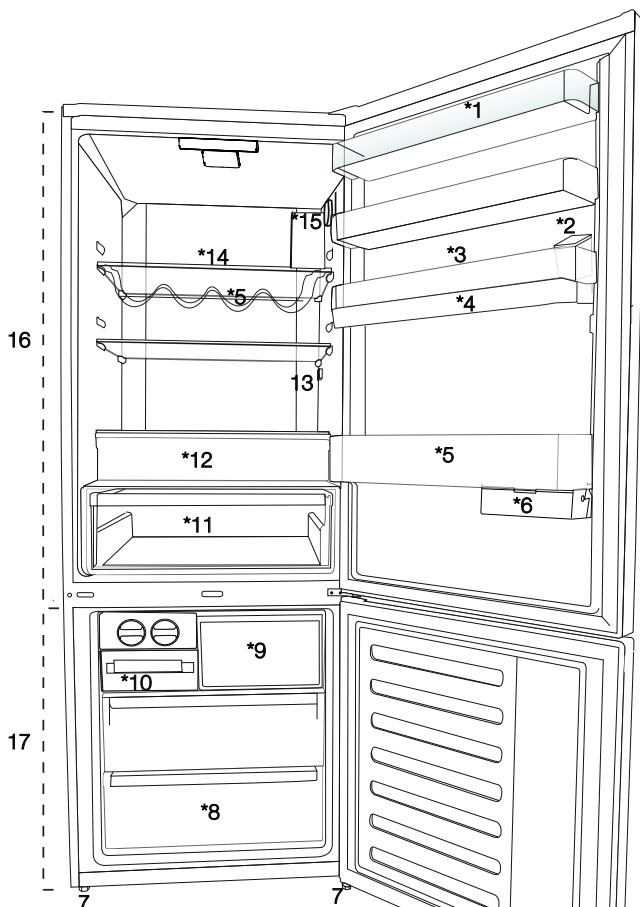
## 1.5. Zgodność z dyrektywą RoHS

- Ten produkt jest zgodny z Dyrektywą UE WEEE (2011/65/UE). Nie zawiera on szkodliwych ani zakazanych materiałów wymienionych w dyrektywie.

## 1.6. Informacje o opakowaniu

- Materiały opakowaniowe są wyprodukowane z materiałów nadających się do recyklingu zgodnie z krajowymi przepisami środowiskowymi. Materiałów opakowaniowych nie należy wyrzucać wraz z normalnymi odpadami domowymi itp. Należy je dostarczyć do punktów odbioru materiałów opakowaniowych wyznaczonych przez władze lokalne.

## 2 Oto Twoja chłodziarka



1. Półka w drzwiach komory chłodziarki
2. Zbiornik dozownika wody
3. Miejsce na jajka
4. Zbiornik dozownika wody
5. Półka na butelki
6. Pojemnik przesuwany
7. Regulowane nóżki
8. Komora głębokiego zamrażania
9. Komora szybkiego zamrażania
10. Tacka na kostki lodu & zapas kostek lodu
11. Pojemnik na warzywa
12. Komora o temperaturze zero
13. Oświetlenie wewnętrzne
14. Szklana półka komory chłodzenia
15. Przycisk regulacji temperatury
16. Komora chłodzenia
17. Komora zamrażalnika



**\*Opcjonalne:** Rysunki w tej instrukcji obsługi są tylko szkieletowe i mogą nie odpowiadać dokładnie posiadanemu produktowi. Jeśli posiadany produkt nie zawiera odpowiednich części, informacje dotyczą innych modeli.



### 3.1. Odpowiednie miejsce na instalację

W sprawie instalacji produktu skontaktuj się z autoryzowanym serwisem. Aby przygotować produkt do instalacji, zapoznaj się z informacjami w instrukcji użytkownika i sprawdź, czy zasilanie elektryczne i dopływ wody są zgodne z wymaganiami. Jeśli nie, skontaktuj się elektrykiem i hydraulikiem, aby dokonać stosownych zmian.



**OSTRZEŻENIE:** Producent nie bierze żadnej odpowiedzialności za szkody spowodowane pracami wykonywanymi przez osoby nieupoważnione.



**OSTRZEŻENIE:** Podczas instalacji kabel zasilający produktu musi być odłączony od sieci. W przeciwnym razie może to skutkować śmiercią lub poważnymi obrażeniami!



**OSTRZEŻENIE:** Jeśli drzwi są zbyt wąskie, aby przenieść przez nie produkt, zdejmij jego drzwiczki i obróć go na bok; jeśli to nie pomoże, skontaktuj się z autoryzowanym serwisem.

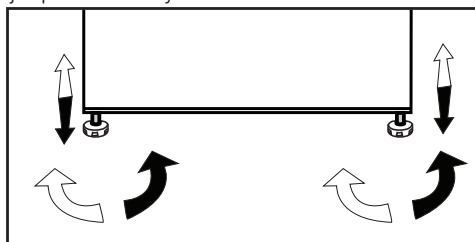
- Aby uniknąć wibracji, chłodziarkę należy ustawić na równej powierzchni.
- Zainstaluj produkty co najmniej 30 cm od podgrzewacza, piecyka i podobnych źródeł ciepła, oraz co najmniej 5 cm od kucharek elektrycznych.
- Nie narażaj produktu na bezpośrednie działanie promieni słonecznych ani nie trzymaj go w wilgotnym otoczeniu.
- Produkt wymaga odpowiedniej cyrkulacji powietrza, aby działać wydajnie.

- Jeśli chłodziarka ma stać we wnęce w ścianie, należy zwrócić uwagę, aby pozostawić co najmniej 5 cm odstępu od sufitu i ścian.
- Nie instaluj chłodziarki w miejscu, gdzie temperatura spada poniżej  $-5^{\circ}\text{C}$ .

### 3.2. Zakładanie klinów plastikowych

Użyj klinów plastikowych dostarczonych wraz z produktem, aby zapewnić wystarczająco dużo miejsca na cyrkulację powietrza między produktem a ścianą.

1. Aby założyć kliny, wyjmij śruby z produktu i użyj śrub dostarczonych w tej samej torebce, co kliny.
2. Włóż 2 plastikowe kliny w tylną płytę wentylacyjną, jak pokazano na rysunku.



## Instalacja

### 3.3. Regulacja nóżek

Jeśli produkt nie jest ustawiony równo, wyreguluj przednie regulowane nóżki, obracając je w prawo lub w lewo.

### 3.4. Połączenie elektryczne



**OSTRZEŻENIE:** Do podłączania zasilania nie używaj przedłużacza ani wtyczki wielokrotnej.



**OSTRZEŻENIE:** Wymianę uszkodzonego przewodu zasilającego należy zlecić autoryzowanemu serwisowi.



W przypadku umieszczenia dwóch chłodziarek obok siebie należy zostawić między nimi odstęp przynajmniej 4 cm.

- Nasza firma nie bierze odpowiedzialności za jakiegokolwiek szkody powstałe na skutek używania bez uziemienia i korzystania z połączenia elektrycznego niezgodnego z przepisami krajowymi.
- Po instalacji wtyczka zasilania musi być łatwo dostępna.
- Nie używaj wtyczki wielokrotnej bez przedłużacza ani z nim do połączenia gniazdka w ścianie z chłodziarką.

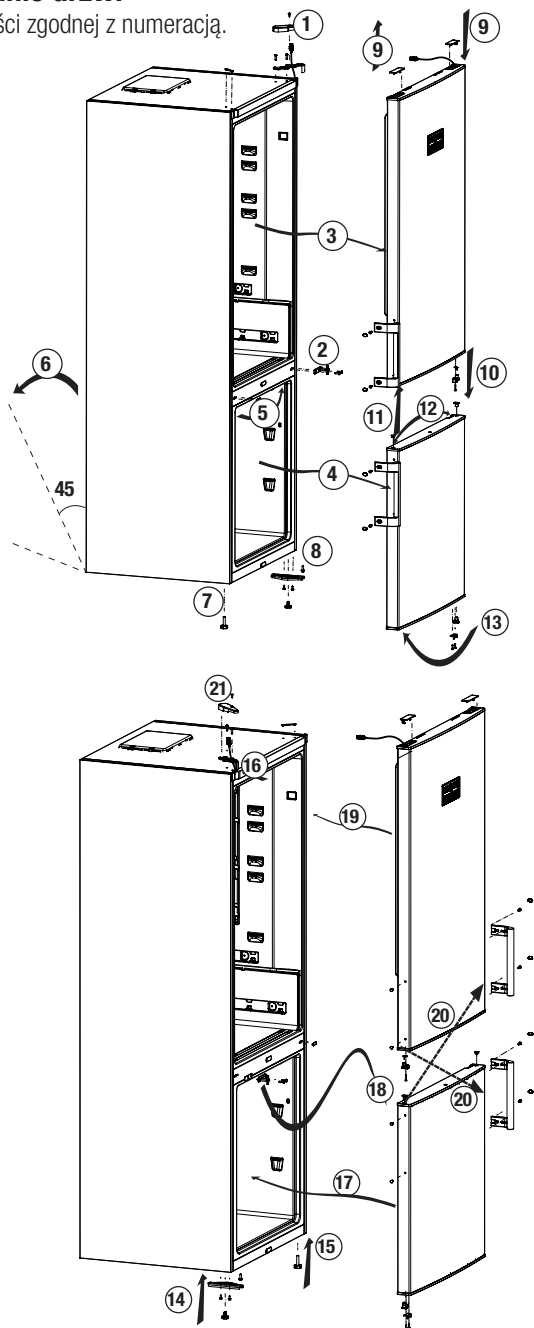


Ostrzeżenie o gorącej powierzchni  
W bocznych ściankach produktu poprowadzone są przewody z chłodziwem dla poprawy systemu chłodzenia. Czynnik chłodniczy w wysokich temperaturach może przepływać przez te obszary, co może bardzo rozgrzać powierzchnie ścianek bocznych. Jest to normalne i nie wymaga żadnego serwisowania. Proszę zachować ostrożność podczas dotykania tych obszarów.

# Instalacja

## 3.5. Przekładanie drzwi

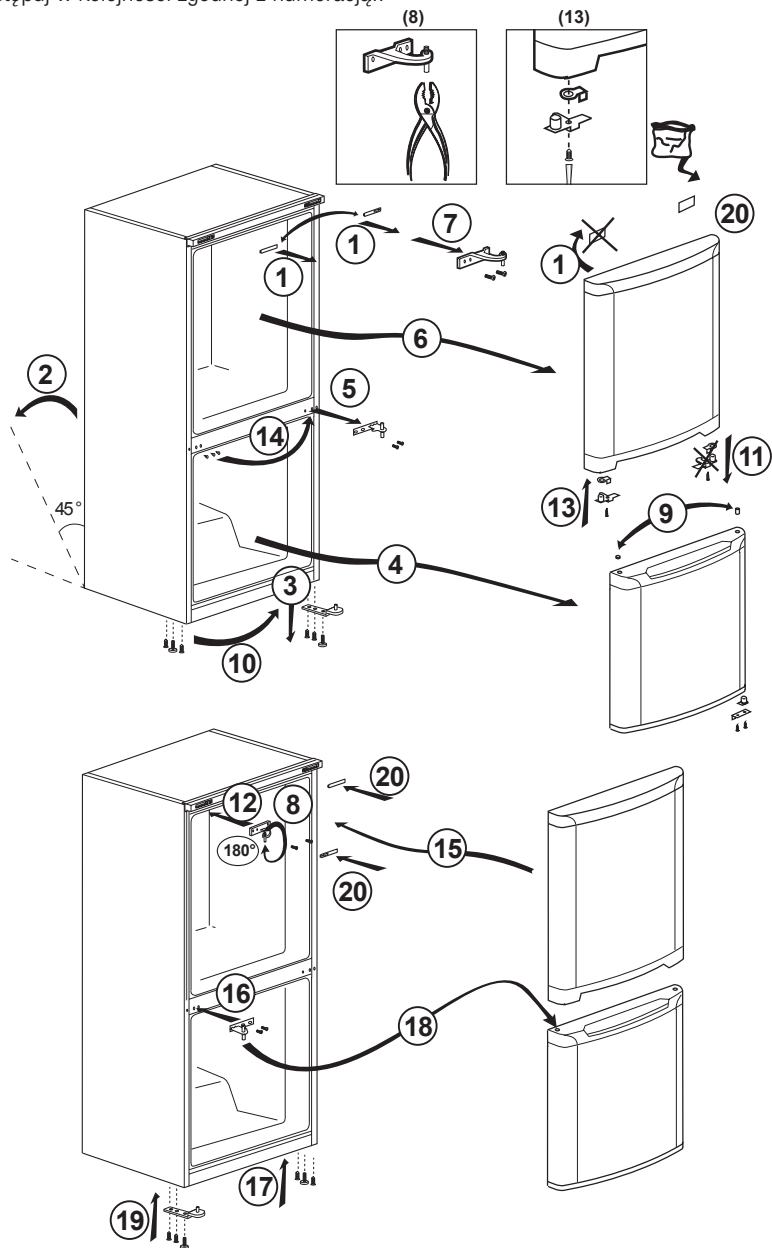
Postępuj w kolejności zgodnej z numeracją.



# Instalacja

## 3.6. Przekładanie drzwi

Postępuj w kolejności zgodnej z numeracją..

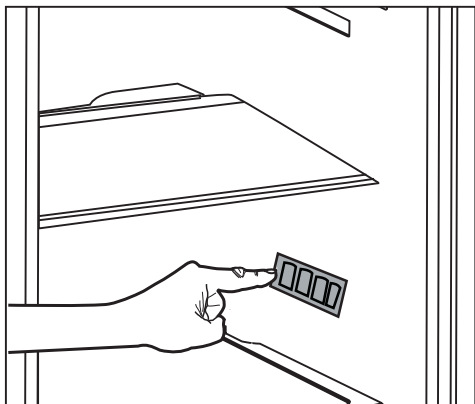


### 4.1. Co zrobić, aby oszczędzać energię



Podłączanie produktu do elektronicznych systemów oszczędzania energii jest niebezpieczne, ponieważ może uszkodzić produkt.

- Nie trzymaj chłodziarki otwartej przez dłuższy czas.
- Nie wkładaj gorącej żywności ani napojów do chłodziarki.
- Nie przepelniaj chłodziarki; zablokowanie wewnętrznego przepływu powietrza zmniejsza wydajność chłodzenia.
- Aby przechowywać maksymalną możliwą ilość żywności w komorze chłodzenia chłodziarki, należy wyjąć górne szuflady i umieścić żywność na półkach szklanych. Deklarowane zużycie energii chłodziarki zostało określone przy wyjęciu komory chłodzenia, tacki na lód i górnych szuflad w sposób, który umożliwi przechowywanie maksymalnej ilości żywności. Korzystanie z dolnej szuflady do przechowywania jest zdecydowanie zalecane. Należy włączyć funkcję oszczędzania energii w celu zoptymalizowania jej zużycia.
- Nie należy blokować przepływu powietrza, umieszczając żywność przed wentylatorem. Wkładając żywność, należy zachować minimum 3 cm odstępu od osłony wentylatora.
- W zależności od funkcji produktu; rozmrażanie zamrożonej żywności w komorze chłodzenia zapewni oszczędność energii i zachowanie jakości produktów spożywczych.
- Żywność należy przechowywać w szufladach w komorze chłodzenia, aby zapewnić oszczędność energii i lepsze warunki przechowywania.
- Pojemniki z żywnością nie powinny stykać się bezpośrednio z czujnikiem temperatury umieszczonym w komorze chłodzenia. Jeśli stykają się one z czujnikiem, zużycie energii przez urządzenie może wzrosnąć.
- Upewnij się, że żywność nie styka się z czujnikiem temperatury komory chłodzenia opisanym poniżej.



### 4.2. Pierwsze uruchomienie

Przed użyciem chłodziarki wykonaj odpowiednie przygotowania zgodnie z instrukcjami w sekcjach „Instrukcje dotyczące bezpieczeństwa i ochrony środowiska” i „Instalacja”.

- Zostaw produkt włączony bez żywności w środku na 6 godzin i nie otwieraj drzwi, jeśli nie jest to absolutnie konieczne.



Gdy zaczyna działać sprężarka, rozlega się dźwięk. Nawet jeśli sprężarka jest wyłączona, dźwięki są normalne z powodu skompresowanych cieczy i gazów w systemie chłodzenia.



Przednie krawędzie produktu mogą się nagrzewać. Jest to całkiem normalne. Te obszary zostały zaprojektowane, aby się nagrzewały w celu zapobiegnięcia kondensacji.



W niektórych modelach panel wskaźników wyłącza się automatycznie po 5 minutach od zamknięcia drzwi. Włącza się on ponownie w momencie otwarcia drzwi lub naciśnięcia dowolnego przycisku.

## 5 Użytkowanie chłodziarki

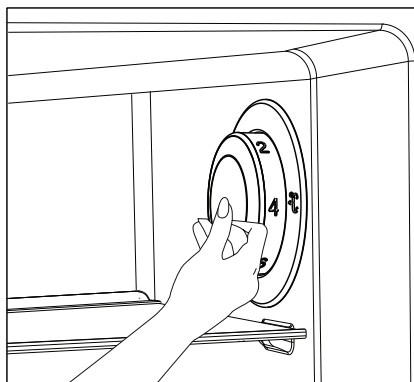
### 5.1. Przycisk regulacji temperatury

Temperatura wewnątrz lodówki zależy od następujących czynników:


- Różnice temperatur w różnych porach roku,
- Częste otwieranie drzwi i niezamykanie ich przez dłuższy czas.
- Wkładanie do lodówki żywności bez uprzedniego ochłodzenia jej do temperatury pokojowej.
- Ustawienie lodówki w pokoju (np. bezpośrednie oddziaływanie słońca).
- Temperaturę wewnątrz, zmieniającą się z tych powodów, można wyregulować za pomocą przycisku regulacji.

Liczby wokół przycisku regulacji oznaczają stopnie w „°C”.

Jeśli temperatura otoczenia wynosi 20°C, zaleca się ustawienie temperatury lodówki na 4°C. W przypadku innej temperatury otoczenia można dostosować.

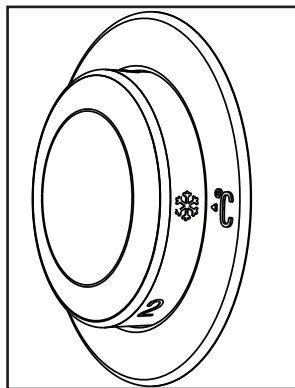


### 5.2. Szybkie zamrażanie

Jeśli chcesz zamrozić znaczne ilości świeżej żywności, ustaw przycisk regulacji w pozycję , przed włożeniem żywności do komory.

Aby zamrozić maksymalną ilość świeżej żywności podawaną jako zdolność zamrażania, stanowczo zaleca się ustawienie tego przycisku w pozycji „FAST FREEZE” [SZYBKE ZAMRAŻANIE] na co najmniej 24 godziny. Zwróć uwagę, aby nie pomieszać żywności zamrożonej i świeżej.

Pamiętaj, aby z powrotem przestawić przycisk regulacji temperatury w poprzednią pozycję.



**Opcja może nie być dostępna we wszystkich modelach**

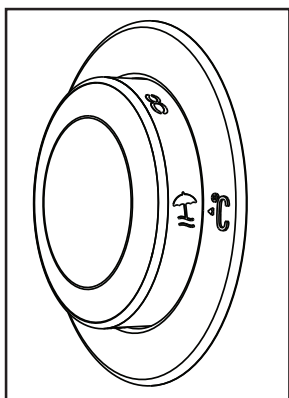
## Korzystanie z produktu

### 5.3. Funkcja Vacation [Wakacje]

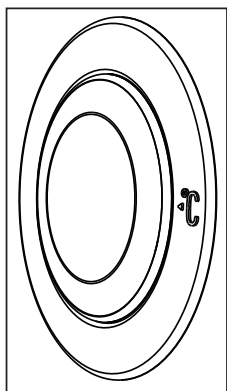
Jeśli drzwi chłodziarki nie zostaną (🔒) otwarte w ciągu co najmniej 12 godzin od ustawienia przycisku regulacji temperatury na najwyższą wartość, automatycznie włącza się funkcja Vacation.

Aby ją wyłączyć, należy zmienić ustawienie przycisku.

Nie zaleca się przechowywania żywności w komorze chłodzenia, gdy włączona jest funkcja Vacation.

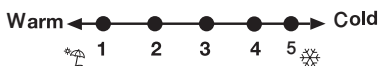
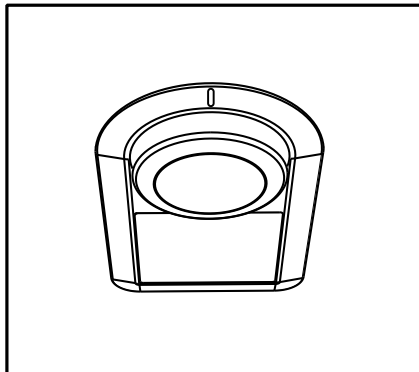


- Po zakończeniu wprowadzania ustawień, możesz ukryć przycisk regulacji temperatury, wciskając go do wewnątrz.



### 5.4. Przycisk ustawiania termostatu

Temperaturę roboczą reguluje się pokrętkiem temperatury.



**1 = Ustawienie najmniejszego chłodzenia (najcieplejsze).**

**4 = Ustawienie największego chłodzenia (najzimniejsze).**

Średnia temperatura we wnętrzu lodówki powinna wynosić ok  $+5^{\circ}\text{C}$ .

Prosimy wybrać ustawienia stosownie do temperatury, jaką chce się osiągnąć.

Należy pamiętać, że temperatury w obszarze chłodzenia będą się różnić.

Strefa najzimniejsza znajduje się bezpośrednio nad komorą na warzywa.

Temperatura we wnętrzu zależy także od temperatury otoczenia, częstotliwości otwierania drzwi oraz ilości przechowywanej w środku żywności.

Częste otwieranie drzwi powoduje wzrost temperatury we wnętrzu.

Z tego powodu zaleca się jak najszybsze zamykanie drzwi.

## Korzystanie z produktu

### 5.5. Przycisk ustawiania termostatu

Temperatura wewnątrz lodówki zmienia się z następujących powodów:

- różnice temperatur w różnych porach roku;
- częste otwieranie drzwi i pozostawianie otwartych drzwi przez długi czas;
- wkładanie do lodówki żywności przed schłodzeniem jej do temperatury pokojowej;
- umiejscowienie lodówki (np. narażanie na działanie promieni słonecznych).
- Zmieniającą się z tych powodów temperaturę wewnątrz lodówki można regulować przy pomocy termostatu.

Liczby wokół pokrętki termostatu wskazują intensywność chłodzenia.

- Jeżeli temperatura otoczenia jest wyższa niż 32°C, należy obrócić pokrętkę termostatu w położenie maksymalne.
- Jeżeli temperatura otoczenia jest niższa niż 25°C, należy obrócić pokrętkę termostatu w położenie minimalne.

### 5.6. Rozmrażanie

#### Komora chłodzenia

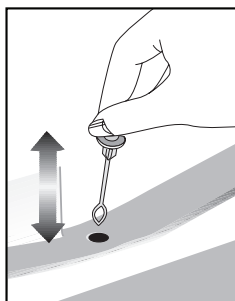
Komora chłodzenia rozmraża się w pełni automatycznie. Gdy lodówka się chłodzi, na tylnej ścianie wewnątrz komory chłodzenia mogą wystąpić krople wody i szron grubości 7-8 mm. Jest to zupełnie normalny skutek działania systemu chłodzącego. Osady szronu rozmrażają się w drodze automatycznego rozmrażania wykonywanego co pewien czas przez system automatycznego rozmrażania ściany tylnej. Użytkownik nie musi zadrapywać szronu ani wycierać kropli wody.

Woda z rozmrażania spływa rowkiem zbierania wody i dalej rurką ściekową do parownika, skąd sama odparowuje.

W komorze głębokiego zamrażania nie ma automatycznego rozmrażania, aby zapobiec psuciu się zamrożonej żywności.

Komora zamrażania rozmraża się automatycznie.

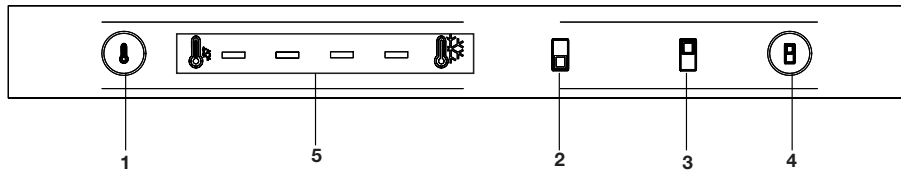
Należy regularnie sprawdzać, czy odpływ nie jest zatkany, a jeżeli to konieczne, wyczyścić go za pomocą patyczka.



**Opcja może nie być dostępna we wszystkich modelach**



### 5.7. Panel wskaźników



- 1.** Przycisk zmiany wartości chłodzenia: Stosuje się go do regulacji wartości chłodzenia komory chłodzenia i zamrażania. Po naciśnięciu tego przycisku, kiedy wskaźnik komory zamrażania (2) jest włączony, zmieni się poziom chłodzenia w komorze zamrażania. Po naciśnięciu tego przycisku, kiedy wskaźnik komory chłodzenia (3) jest włączony, zmieni się poziom chłodzenia w komorze chłodzenia.
- 2.** Wskaźnik temperatury w komorze zamrażania: Kiedy wskaźnik jest włączony, bieżąca wartość chłodzenia komory zamrażania będzie wyświetlana na wskaźniku chłodzenia (5). Można nacisnąć przycisk zmiany wartości chłodzenia (1), aby zmienić wartość chłodzenia w komorze zamrażania.
- 3.** Wskaźnik temperatury w komorze chłodzenia: Kiedy wskaźnik jest włączony, bieżąca wartość chłodzenia komory chłodzenia będzie wyświetlana na wskaźniku chłodzenia (5). Można nacisnąć przycisk zmiany wartości chłodzenia (1), aby zmienić wartość chłodzenia w komorze chłodzenia.
- 4.** Przycisk wyboru komory: Stosuje się go do wyboru komory chłodzenia i zamrażania.
- 5.** Wskaźnik chłodzenia: Pokazuje wartość chłodzenia w wybranej komorze. Wartość chłodzenia wzrasta od lewej do prawej strony.

**Opcja może nie być dostępna we wszystkich modelach**



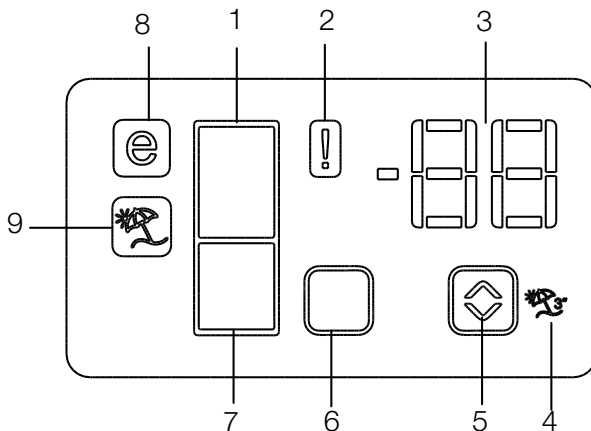
**\*Opcjonalne:** Rysunki w tej instrukcji obsługi są tylko szkicowe i mogą nie odpowiadać dokładnie posiadanemu produktowi. Jeśli posiadany produkt nie zawiera odpowiednich części, informacje dotyczą innych modeli.

## Korzystanie z produktu

### 5.8. Panel wskaźników

Panele wskaźników mogą się różnić w zależności od modelu produktu.

Funkcje dźwiękowe i optyczne panelu wskaźników pomagają korzystać z lodówki.



1. Wskaźnik komory chłodziarki
2. Wskaźnik stanu błędu
3. Wskaźnik temperatury
4. Przycisk funkcji wakacyjnej
5. Przycisk regulacji temperatury
6. Przycisk wyboru komory
7. Wskaźnik komory chłodziarki
8. Wskaźnik trybu oszczędzania
9. Wskaźnik funkcji wakacyjnej

**\*opcjonalne**

**Opcja może nie być dostępna we wszystkich modelach**



**\*Opcjonalne:** Rysunki w tej instrukcji obsługi są tylko szkicowe i mogą nie odpowiadać dokładnie posiadanemu produktowi. Jeśli posiadany produkt nie zawiera odpowiednich części, informacje dotyczą innych modeli.

## Korzystanie z produktu

### 1. Wskaźnik komory chłodziarki

Lampka komory chłodziarki włącza się podczas regulacji temperatury komory chłodziarki.

### 2. Wskaźnik stanu błędu

Ten czujnik się włącza, gdy lodówka nie chłodzi odpowiednio lub w przypadku awarii czujnika. Gdy wskaźnik jest aktywny, na wskaźniku temperatury komory zamrażarki będzie wyświetlana litera „B”, a na wskaźniku temperatury komory chłodziarki będą wyświetlane liczby „1, 2, 3...” itd. Liczby na wskaźniku służą do informowania przedstawicieli serwisu o błędzie.

### 3. Wskaźnik temperatury

Wskazuje temperaturę komory zamrażarki i chłodziarki.

### 4. Przycisk funkcji wakacyjnej

Aby uaktywnić tę funkcję, naciśnij i przytrzymaj przycisk Wakacje przez 3 sekundy. Gdy funkcja wakacyjna jest aktywna, wskaźnik temperatury komory chłodzenia będzie pokazywać znaki „- -” i w komorze chłodzenia nie będzie aktywny żaden proces chłodzenia. Ta funkcja nie nadaje się do przechowywania żywności w komorze chłodziarki. Inne komory pozostaną chłodzone z ustawioną odpowiednią temperaturą w każdej komorze.

Aby anulować tę funkcję, naciśnij ponownie przycisk Wakacje ().

### 5. Przycisk regulacji temperatury

Temperatura odpowiedniej komory wacha się w zakresie -24°C..... -18°C i 8°C...1°C.

### 6. Przycisk wyboru komory

Przycisk wyboru komory lodówki umożliwia przełączanie między komorą chłodziarki i zamrażarki.

### 7. Wskaźnik komory chłodziarki

Lampka komory zamrażarki włącza się podczas regulacji temperatury komory chłodziarki.

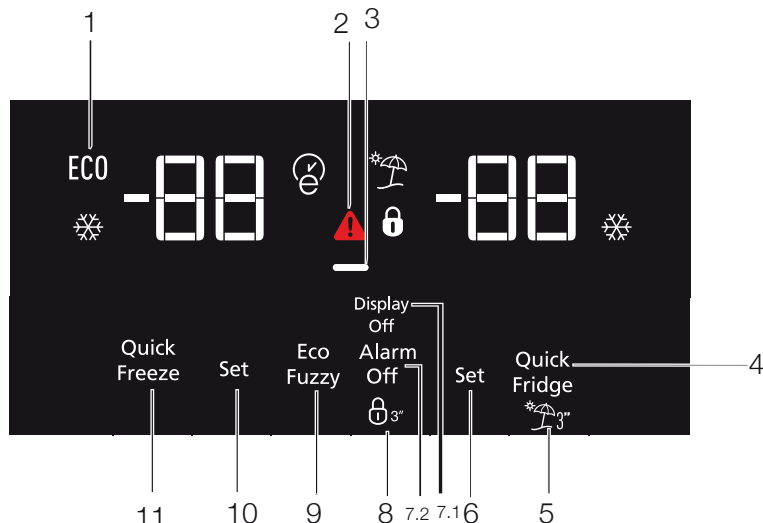
### 8. Wskaźnik trybu oszczędzania

Wskazuje, że lodówka pracuje w trybie oszczędzania energii. Ten wskaźnik będzie aktywny, gdy temperatura w komorze zamrażarki zostanie ustawiona na -18°C.

### 9. Wskaźnik funkcji wakacyjnej

Wskazuje uaktywnienie funkcji wakacyjnej.

## Korzystanie z produktu



### 1. Tryb „Economy” [Oszczędny]

Symbol ten zapala się, gdy zamrażalnik ustawiony jest na  $-18^{\circ}$ , jako najbardziej oszczędne ustawienie (ECO). Wskaźnik użytkownika oszczędnego gaśnie, gdy zostanie wybrana funkcja szybkiego chłodzenia lub szybkiego zamrażania.

### 2. Wskaźnik ostrzegawczy o awarii zasilania/ wysokiej temperaturze/ błędzie

Wskaźnik ten (▲) zapala się w razie awarii zasilania, zbyt wysokiej temperatury lub ostrzeżeń o błędach. Podczas długotrwałych przerw w zasilaniu, najwyższa temperatura w zamrażarce będzie migać na wyświetlaczu cyfrowym. Po sprawdzeniu produktów w komorze zamrażalnika naciśnij przycisk wyłączenia alarmu (—), aby skasować to ostrzeżenie.

### 3. Funkcja oszczędzania energii (wyświetlacz wyłączony)

Jeśli drzwiczki urządzenia są zamknięte przez dłuższy czas, funkcja oszczędzania energii uruchamia się automatycznie i zapala się symbol oszczędzania energii. Gdy czynna jest funkcja oszczędzania energii, gasną wszystkie inne symbole na wyświetlaczu oprócz symbolu oszczędzania energii. Funkcja oszczędzania energii wyłącza się za naciśnięciem dowolnego przycisku lub za otwarciem drzwiczek, a symbole na wyświetlaczu powracają do stanu normalnego.

### 4. Przycisk „Quick Cool” [Szybkie chłodzenie]

Wskaźnik szybkiego chłodzenia (❄) pali się, gdy włączona jest funkcja szybkiego chłodzenia, a wskaźnik temperatury w komorze chłodzenia wyświetla się jako 1. Aby wyłączyć tę funkcję, ponownie naciśnij przycisk „Quick cooling” [Szybkie chłodzenie]. Wskaźnik „Quick cooling” zgaśnie




**\*Opcjonalne:** Rysunki w tej instrukcji obsługi są tylko szkicowe i mogą nie odpowiadać dokładnie posiadanemu produktowi. Jeśli posiadany produkt nie zawiera odpowiednich części, informacje dotyczą innych modeli.


## Korzystanie z produktu

i chłodziarka powróci do swych normalnych ustawień. Funkcja szybkiego chłodzenia jest anulowana automatycznie po 1 godzinie, o ile nie zostanie wcześniej anulowana. Jeśli chcesz zamrozić znaczne ilości świeżej żywności, naciśnij przycisk „Quick Freeze” przed włożeniem jej do komory zamrażalnika.

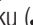

### 5. Funkcja Vacation [Wakacje]


Aby włączyć funkcję Vacation naciśnij i przez 3 sekundy przytrzymaj przycisk nr , a włączy się wskaźnik trybu Vacation. Gdy włączona jest funkcja Vacation, na wskaźniku temperatury w komorze chłodzenia wyświetla się „ - ” i komora ta nie jest aktywnie chłodzona. Gdy ta funkcja ta jest włączona, nie należy trzymać żywności w komorze chłodzenia. Inne komory będą nadal chłodzone odpowiednio do nastawionych w nich temperatur. Aby anulować tę funkcję, naciśnij ponownie przycisk **Vacation [Wakacje]**.

### 6. Regulacja temperatury w komorze chłodziarki

Naciśnięcie przycisku nr umożliwia ustawienie temperatury w komorze chłodzenia odpowiednio na 8,7,6,5,4,3,2 i 1 .

#### 7.1. Funkcji oszczędzania energii (wyświetlacz wyłączony):



Po naciśnięciu tego przycisku () zapala się symbol oszczędności energii () i uruchamia się funkcja oszczędzania energii. Gdy czynna jest funkcja oszczędzania energii, gasną wszystkie inne symbole na wyświetlaczu.


Funkcja oszczędzania energii wyłącza się za naciśnięciem dowolnego przycisku lub za otwarciem drzwiczek, a symbole na wyświetlaczu powracają do stanu normalnego. Za ponownym naciśnięciem tego przycisku () gaśnie symbol i wyłącza się funkcja oszczędzania energii.

#### 7.2. Ostrzeżenie o wyłączeniu alarmu:


W przypadku alarmu awarii zasilania/wysokiej temperatury, po sprawdzeniu produktów w komorze zamrażarki naciśnij przycisk wyłączenia alarmu, aby skasować to ostrzeżenie.

### 8. Blokada przycisków

Naciśnij przycisk blokady przycisków () na 3 sekundy. Zapali się ikonka blokady przycisków () i załączy się blokada. Przy załączonej blokadzie przyciski nie działają. Ponownie naciśnij przycisk Key Lock [Blokada przycisków] na 3 sekundy. Ikonka blokady przycisków zgaśnie i blokada wyłączy się.

Naciśnij przycisk **blokady przycisków**, jeśli chcesz uniemożliwić zmianę ustawień temperatury w chłodziarce ().

### 9. Eco fuzzy

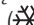
Naciśnij i przez 1 sekundę przytrzymaj przycisk eco fuzzy, aby uruchomić funkcję oszczędnego użytkowania eco fuzzy. Chłodziarka zostanie uruchomiona w najbardziej oszczędnym trybie co najmniej 6 godzin później, a gdy funkcja ta jest aktywna zapali się wskaźnik oszczędnego użytkowania (). Naciśnij i przez 3 sekundy przytrzymaj przycisk funkcji eco fuzzy, aby wyłączyć funkcję oszczędnego użytkowania eco fuzzy.


Wskaźnik ten zapala się po 6 godzinach, gdy jest włączona jest funkcja eco fuzzy.

### 10. Regulacja temperatury w komorze zamrażalnika

W tym miejscu można dokonać regulacji temperatury komory zamrażalnika. Po naciśnięciu przycisku nr 9 można nastawić temperaturę w komorze zamrażalnika na wartości -18, -19, -20, -21, -22, -23 i -24.

### 11. Szybkie zamrażanie

Naciśnij przycisk nr, aby włączyć szybkie zamrażanie; włączy się wskaźnik szybkiego zamrażania ().

Wskaźnik szybkiego zamrażania pali się, gdy włączona jest funkcja szybkiego zamrażania, a wskaźnik temperatury w komorze chłodzenia wyświetla się jako -27. Aby wyłączyć tę funkcję, ponownie naciśnij przycisk szybkiego zamrażania ().

## **Korzystanie z produktu**

---

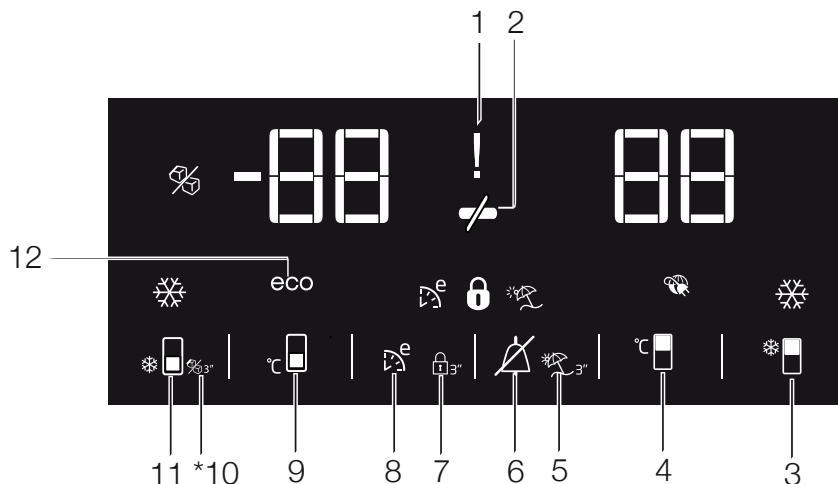
Wskaźnik „Quick freeze” zgaśnie i chłodziarka powróci do swych normalnych ustawień.

Funkcja szybkiego zamrażania jest anulowana automatycznie po 24 godzinach, o ile nie zostanie wcześniej anulowana. Aby zamrozić znaczne ilości świeżej żywności, naciśnij przycisk szybkiego zamrażania przed włożeniem jej do komory zamrażalnika.



## Korzystanie z produktu

### 5.9. Panel wskaźników


Panel wskaźników umożliwia nastawianie temperatury i sterowanie innymi funkcjami produktu bez otwierania drzwi. Po prostu naciśnij napisy na odpowiednich przyciskach, aby ustawić funkcje.



#### 1. Wskaźnik ostrzegawczy o awarii zasilania/ wysokiej temperaturze

Wskaźnik ten  zapala się w razie awarii zasilania, zbyt wysokiej temperatury lub ostrzeżeń o błędach. Podczas długotrwałych przerw w zasilaniu, najwyższa temperatura w zamrażarce będzie migać na wyświetlaczu cyfrowym. Po sprawdzeniu produktów w komorze zamrażalnika naciśnij przycisk wyłączenia alarmu  aby skasować to ostrzeżenie.

#### 2. Funkcji oszczędzania energii (wyświetlacz wyłączony)

Jeśli drzwiczki tego urządzenia są zamknięte przez dłuższy czas, funkcja oszczędzania energii uruchamia się automatycznie i zapala się symbol oszczędzania energii.  Gdy czynna jest funkcja oszczędzania energii, gasną wszystkie inne symbole na wyświetlaczu. Funkcja oszczędzania energii wyłącza się za naciśnięciem dowolnego przycisku lub za otwarciem drzwiczek, a symbole na wyświetlaczu powracają do stanu normalnego.




**\*Opcjonalne:** Rysunki w tej instrukcji obsługi są tylko szkicowe i mogą nie odpowiadać dokładnie posiadanemu produktowi. Jeśli posiadany produkt nie zawiera odpowiednich części, informacje dotyczą innych modeli.

## Korzystanie z produktu

Funkcja oszczędzania energii jest uruchamiana w czasie dostawy z fabryki i nie można jej skasować.

### 3. Funkcja szybkiego chłodzenia

Przycisk ma dwie funkcje. Aby włączyć lub wyłączyć funkcję szybkiego chłodzenia, naciśnij go krótko. Wskaźnik „Quick Cool” zgaśnie i ustawienia powrócą do normalnych wartości. (  )



Korzystaj z funkcji szybkiego chłodzenia, kiedy chcesz szybko schłodzić żywność umieszczoną w komorze chłodzenia. Jeśli schłodzona ma być znaczna ilość świeżej żywności, zaleca się uruchomienie tej funkcji przed włożeniem żywności do chłodziarki.



Jeśli nie wyłączysz szybkiego chłodzenia, funkcja ta wyłączy się automatycznie po 8 godzinach lub gdy temperatura w komorze chłodzenia osiągnie żądaną wartość.




Jeśli będziesz naciskać przycisk szybkiego zamrażania Quick Freeze kilkakrotnie co chwilę, uruchomi się elektroniczne zabezpieczenie i sprężarka nie zostanie bezwzględnie uruchomiona.

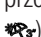



Funkcja ta nie zostanie wywołana przy przywróceniu zasilania po jego awaryjnym wyłączeniu.

### 4. Przycisk nastawienia temperatury w komorze chłodzenia


Naciśnij ten przycisk, aby nastawić temperaturę w komorze chłodzenia odpowiednio na 8, 7,6, 5,4,3, 2, 8... Naciśnij ten przycisk, aby nastawić żądaną temperaturę w komorze chłodzenia. (  )

### 5. Funkcja Vacation (Wakacje)



Aby wyłączyć funkcję Vacation naciśnij i przez 3 sekundy przytrzymaj ten przycisk (  ), a włączy się wskaźnik trybu Vacation (  ). Gdy czynna jest funkcja opróżniania, na wskaźniku temperatury w komorze chłodzenia wyświetla się " - ", i komora ta nie jest aktywnie chłodzona. Gdy ta funkcja ta jest załączona, nie należy trzymać żywności w komorze chłodzenia. Inne komory będą nadal chłodzone odpowiednio do nastawionych w nich temperaturach.

Aby wyłączyć tę funkcję, ponownie naciśnij przycisk **Vacation** .

### 6. Wyłączanie alarmu:

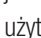
W przypadku alarmu awarii zasilania / wysokiej temperatury, po sprawdzeniu produktów w komorze zamrażarki naciśnij przycisk wyłączania alarmu (  ) aby skasować to ostrzeżenie.

### 7. Blokada przycisków

Naciśnij przycisk blokady przycisków [  ] na 3 sekundy. Symbol blokady przycisków Zapali się (  ) i włączy się tryb blokady przycisków. Przy załączonej blokadzie przyciski nie działają. Ponownie naciśnij przycisk Key Lock [Blokada przycisków] na 3 sekundy. Ikonka blokady przycisków zgaśnie i blokada wyłączy się.

Naciśnij przycisk **blokady przycisków**, jeśli chcesz uniemożliwić zmianę ustawień temperatury w chłodziarce (  ).

### 8. Eco fuzy

Naciśnij i przez 1 sekundę przytrzymaj przycisk eco fuzy, aby uruchomić funkcję oszczędnego użytkowania eco fuzy. Chłodziarka zostanie uruchomiona w najbardziej oszczędnym trybie co najmniej 6 godzin później, a gdy funkcja ta jest aktywna zapali się wskaźnik oszczędnego użytkowania (  ). Naciśnij i przez 3 sekundy




## Korzystanie z produktu


przytrzymaj przycisk funkcji eco fuzzy, aby wyłączyć funkcję oszczędnego użytkownika eco fuzzy.

Wskaźnik ten zapala się po 6 godzinach, gdy jest włączona jest funkcja eco fuzzy.

### 9. Przycisk nastawienia temperatury w komorze zamrażalnika.

Naciśnij ten przycisk, aby nastawić temperaturę w komorze zamrażalnika odpowiednio na -18, -19, -20, -21, -22, -23, -24 oraz -18. Naciśnij ten przycisk, aby nastawić żadaną temperaturę w komorze zamrażalnika. 


### 10. Wskaźnik wyłączenia Icematic

Wskazuje, czy kostkarka Icematic jest włączona czy wyłączona.  Jeśli jest aktywny, Icematic nie działa. Aby ponownie włączyć Icematic, naciśnij i przytrzymaj przez 3 sekundy przycisk wł. -wyl.



Kiedy wybrana jest ta funkcja, woda przestaje wypływać ze zbiornika. Jednak już zrobiony lód można wybrać z kostkarki Icematic.

### 11. Przycisk funkcji szybkiego zamrażania / włączania wyłączenia Icematic

Aby włączyć lub wyłączyć funkcję szybkiego zamrażania, naciśnij ten przycisk. Kiedy włączysz tę funkcję, komora zamrażalnika zostanie schłodzona do temperatury niższej niż ustawiona wartość. 

Aby włączyć lub wyłączyć kostkarkę Icematic, naciśnij ten przycisk i przytrzymaj go przez 3 sekundy.



Korzystaj z funkcji szybkiego chłodzenia, kiedy chcesz szybko schłodzić żywność umieszczoną w komorze chłodzenia. Jeśli schłodzona ma być znaczna ilość świeżej żywności, zaleca się uruchomienie tej funkcji przed włożeniem żywności do chłodziarki.




Jeśli nie wyłączysz szybkiego chłodzenia, funkcja ta wyłączy się automatycznie po 4 godzinach lub gdy temperatura w komorze chłodzenia osiągnie żadaną wartość.



Funkcja ta nie zostanie wywołana przy przywróceniu zasilania po jego awaryjnym wyłączeniu.

### 12. Wskaźnik oszczędnego użytkownika

Wskazuje, że produkt działa w trybie oszczędzania energii.  Wskaźnik ten będzie aktywny, jeśli temperaturę komory zamrażania nastawiono na -18 stopni lub zgodnie z funkcją Eco-Extra chłodzenie przebiega w trybie ergooszczędnym.



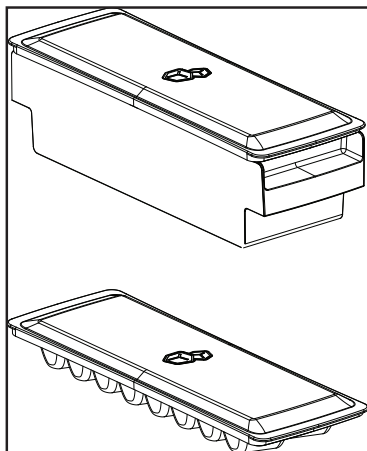
Wskaźnik użytkownika oszczędnego gaśnie, gdy zostanie wybrana funkcja szybkiego chłodzenia lub szybkiego zamrażania.

## Korzystanie z produktu

### 5.10. Pojemnik na lód

#### (Opcja)

- Wyjmij pojemnik na lód z komory zamrażalnika.
- Wypełnij pojemnik na lód wodą.
- Włóż pojemnik na lód do komory zamrażalnika.
- Lód będzie gotowy za ok. dwie godziny. Wyjmij pojemnik na lód z komory zamrażalnika i zegnij go lekko nad pojemnikiem, w którym zamierzasz go podać. Lód łatwo wypadnie do pojemnika.



### 5.11. Pojemnik na jajka

Pojemnik na jajka możesz umieścić na drzwiach lub w głównej komorze. Jeśli zdecydujesz się go umieścić w głównej komorze, zaleca się korzystanie z dolnych półek, ponieważ jest tam chłodniej.

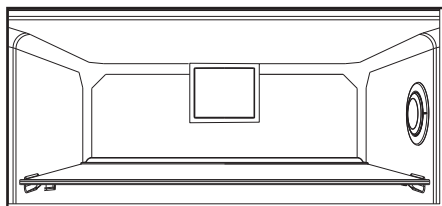


Nie wkładaj pojemnika na jajka do komory zamrażalnika.

### 5.12. Wentylator

Wentylator został zaprojektowany, aby równomiernie rozprowadzać chłodne powietrze we wnętrzu chłodziarki. Czas działania wentylatora może się różnić w zależności od własności chłodziarki.

W niektórych chłodziarkach wentylator działa tylko wtedy, kiedy sprężarka, w innych system sterowania określa czas działania w zależności od zapotrzebowania.



### 5.13. Pojemnik na warzywa

#### (Opcja)

Pojemnik na warzywa został zaprojektowany, aby utrzymać świeżość warzyw poprzez zachowanie wilgotności. W tym celu ogólna cyrkulacja zimnego powietrza jest intensywniejsza w tym pojemniku.

### 5.14. Komora o temperaturze zero

#### (Opcja)

Używaj tej komory, aby przechowywać delikaty w niższych temperaturach lub produkty mięsne do szybkiego spożycia. Komora o temperaturze zero to najchłodniejsze miejsce, gdzie możesz przechowywać artykuły spożywcze takie jak nabiał, mięso, ryby i drób w idealnych warunkach. W tej komorze nie należy przechowywać warzyw ani owoców.

## Korzystanie z produktu

### 5.15. Użycie drugiego pojemnika na świeże warzywa.



**Rysunek 1.**

Jak pokazano na rysunku, w drugiej komorze na świeże warzywa w modelu K70560 znajdują się 2 blokady.



**Rysunek 2.**

Zamknięty drugi pojemnik na świeże warzywa wygląda tak, jak pokazano na rysunku 2.



**Rysunek 3.**

Przy otwartych pod kątem 90° drzwiach wysunąć drugi pojemnik na świeże warzywa do pierwszej blokady, jak pokazano na rysunku 3.



W przypadku większego wysunięcia szuflady należy najpierw otworzyć drzwi przynajmniej pod kątem 135°. Następnie, jak pokazano na rysunku 4, podnieść drugi pojemnik na świeże warzywa na ok. 5 mm, aby zwolnić pierwszą blokadę.



**Rysunek 4.**

Po podniesieniu wysunąć drugą szufladę do drugiej blokady, jak pokazano na rysunku 5.

**Rysunek 5.**

## Korzystanie z produktu

### 5.16. Ruchomy stelaż na drzwiach

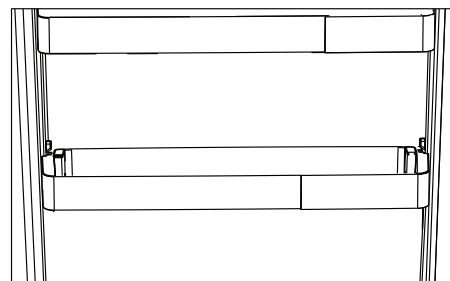
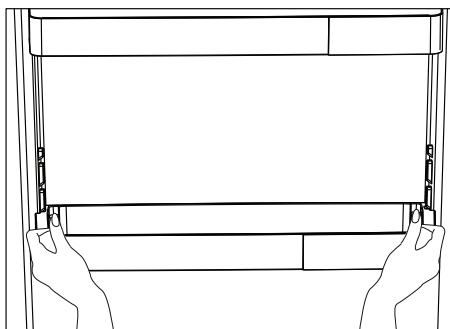
#### (Opcja)

Ruchomy stelaż na drzwiach można zamocować w 3 różnych pozycjach.

Aby przesunąć stelaż, naciśnij jednocześnie przyciski z boku. Stelaż można przesunąć.

Przesuń stelaż w górę lub w dół.

Kiedy stelaż znajdzie się w żądanej pozycji, zwolnij przyciski. Stelaż zostanie zamocowany w pozycji, w jakiej zwolnisz przyciski.

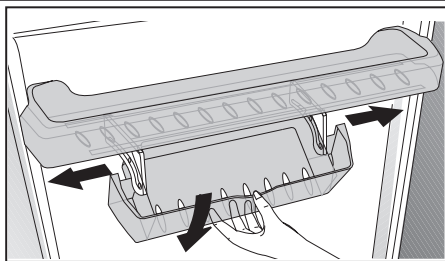


### 5.17. Pojemnik przesuwany

#### (Opcja)

Ten element wyposażenia został zaprojektowany, aby zwiększyć używalność stelaży na drzwiach.

Dzięki możliwości przesuwania na boki, ułatwia on ułożenie długiej butelki, słoika lub pudełek, które wkładasz w uchwyt na butelki poniżej.



### 5.18. Pochłaniacz zapachów

#### (FreshGuard) \* opcja

Pochłaniacz zapachów błyskawicznie usuwa z lodówki nieprzyjemne zapachy, zanim przenikną do powierzchni. Urządzenie znajduje się na suficie komory na świeżej żywności. Dzięki niemu nieprzyjemne zapachy zostają zneutralizowane podczas aktywnego przepływu powietrza przez filtr zapachowy. Po oczyszczeniu powietrze wraca do komory na świeżą żywność. Dzięki temu nieprzyjemne zapachy pochodzące z żywności przechowywanej w lodówce zostają usunięte, zanim przenikną do powierzchni.

Jest to możliwe dzięki wentylatorowi, diodzie LED oraz filtrowi zapachowemu – wszystkie te elementy stanowią integralną część pochłaniacza zapachów. Podczas codziennego użytkowania pochłaniacz zapachów okresowo włącza się automatycznie. Aby zapewnić skuteczne działanie wyrobu, zaleca się wymianę filtra zapachowego przez autoryzowany serwis co 5 lat. Ponieważ pochłaniacz zapachów jest wyposażony w wentylator, podczas pracy emituje hałas – jest to normalne zjawisko. W przypadku gdy drzwi komory na świeżą żywność zostaną otwarte podczas pracy pochłaniacza, wentylator wstrzyma działanie, a po zamknięciu drzwi wznowi pracę po pewnym czasie. W przypadku awarii zasilania pochłaniacz wznowi pracę po przywróceniu zasilania na tym samym etapie cyklu działania, na którym została ona przerwana.

## Corystanie z produktu

Informacja: Zaleca się przechowywanie żywności o silnym zapachu (takiej jak sery, oliwki i wyroby garmażeryjne) w zamkniętym opakowaniu, aby uniknąć nieprzyjemnej woni powstałej na skutek wymieszania zapachów różnych produktów. Ponadto zaleca się szybkie wyjmowanie z lodówki zepsutych produktów, aby zapobiec nieprzyjemnym zapachom oraz zepsuciu innych artykułów.

### 5.19. Pojemnik na warzywa z kontrolą wilgotności

#### (Opcja)

Funkcja kontroli wilgotności umożliwia zachowanie odpowiedniej wilgotności warzyw i owoców oraz zapewnia dłuższą świeżość żywności.

Zaleca się w miarę możliwości przechowywanie w pojemniku warzyw liściastych, jak sałata, szpinak itp. w pozycji poziomej, a nie opartych o korzeń, ze względu na utratę wilgotności.

Układając warzywa, ciężkie i twarde należy układać na dole, a lekkie i miękkie na górze, biorąc pod uwagę konkretną wagę warzyw.

Nie zostawiać w pojemniku warzyw w plastikowych torebkach. Zostawienie ich w plastikowej torebce spowoduje, że szybko zgniją. W sytuacjach, kiedy styczność z innymi warzywami jest niezalecana, używaj materiałów opakowaniowych takich jak papier, które mają pewną porowatość pozwalającą zachować higienę.

Nie wkładaj owoców, które wydzielają dużo gazowego etylenu, jak gruszki, morele, brzoskwinie, a przede wszystkim jabłka, do tego samego pojemnika na warzywa, co inne warzywa i owoce. Gazowy etylen wydobywający się z tych owoców może spowodować szybsze dojrzewanie i gnicie pozostałych warzyw i owoców.

### 5.20. Automatyczna maszyna do lodu

#### (Opcja)

Automatyczna maszyna do lodu umożliwia łatwe wytwarzanie lodu w chłodziarce. Aby wytworzyć lód za pomocą maszyny do lodu, wyjmij zbiornik wody z komory chłodzenia, napełnij go wodą i włóż z powrotem.

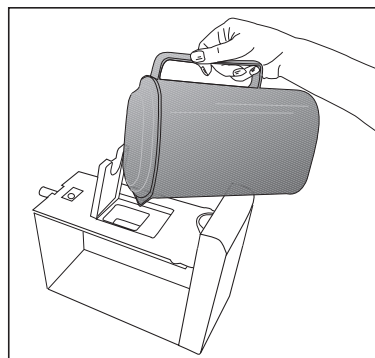
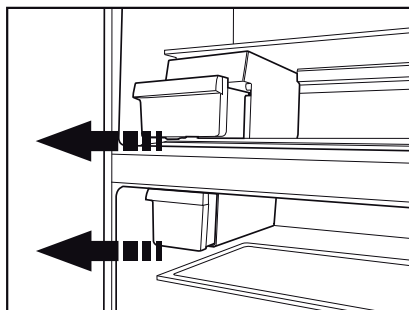
Pierwszy lód powstanie po dwóch godzinach w szufladzie na lód znajdującej się w komorze chłodzenia.

Po włożeniu pełnego zbiornika wody możesz uzyskać z niego 60-70 kostek lodu.

Jeśli woda w zbiorniku stała przez 2-3 tygodnie, należy ją wymienić.



W przypadku produktów z automatyczną maszyną do lodu możesz słyszeć dźwięk podczas wysypywania lodu. Jest to zupełnie normalne i nie świadczy o awarii.



## Korzystanie z produktu

### 5.21. Kostkarka do lodu Icematic i pojemnik na lód

#### \*opcja

#### Obsługa kostkarki do lodu Icematic

Napełnij Icematic wodą i włóż do obudowy. Lód będzie gotowy za ok. dwie godziny. Nie wyjmuj Icematic z obudowy, aby wyjąć lód.

Obróć pokrętkę na zbiornikach lodu zgodnie z ruchem wskazówek zegara o 90 stopni.

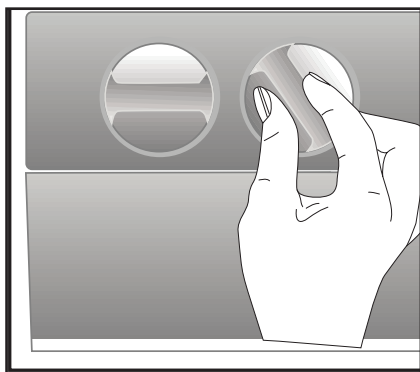
Kostki lodu w zbiornikach wypadną do pojemnika na lód pod nimi.

Teraz możesz wyjąć pojemnik na lód i podać kostki lodu.

Jeśli chcesz, możesz trzymać kostki lodu w tym pojemniku.

#### Pojemnik na lód

Pojemnik na lód służy wyłącznie do gromadzenia kostek lodu. Nie wlewaj do niego wody. W przeciwnym razie ulegnie uszkodzeniu.



### 5.22. Korzystanie z dozownika wody

#### \*opcja



Pierwsze kilka szklanek wody z dozownika mogą być ciepłe i jest to całkiem normalne.

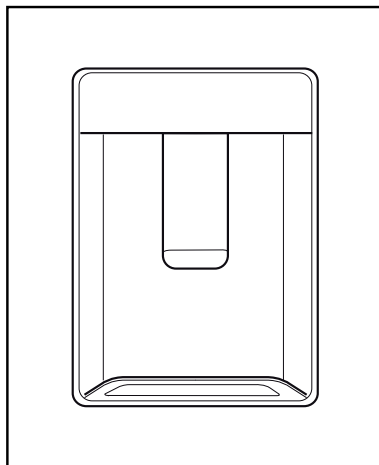


Jeżeli dozownika wody nie używa się przez dłuższy czas, wylewa się pierwsze kilka szklanek wody, aby uzyskać wodę świeżą.

1. Naciśnij szklanką dźwignię dozownika wody. Jeśli korzystasz z miękkiego plastikowego kubka, naciśnięcie dźwigni ręką będzie łatwiejsze.
2. Po napełnieniu kubka do żądanego poziomu puść dźwignię.



Prosimy zwrócić uwagę, że ilość wody wypływającej z dozownika zależy od tego, jak bardzo wciśnięto dźwignię. W miarę jak podnosi się poziom wody w kubku lub szklance delikatnie zmniejszaj nacisk na dźwignię, aby uniknąć przelania się wody. Jeśli lekko naciśnąc ramię, woda kapie, co jest całkiem normalne i nie świadczy o awarii.



## Korzystanie z produktu

### 5.23. Napełnianie zbiornika dozownika wodą

Zbiornik wody mieści się w stelażu na drzwiach.

1. Otwórz pokrywę zbiornika.
2. Napełnij zbiornik świeżą wodą pitną.
3. Zamknij pokrywkę.



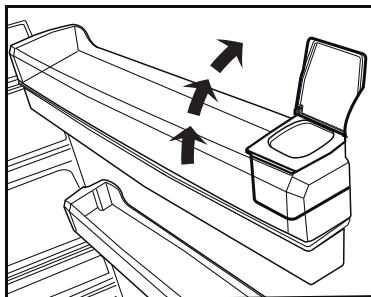
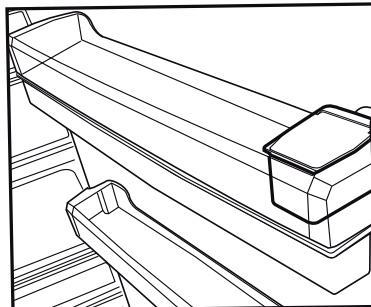
Nie napełniaj zbiornika na wodę innym płynem niż woda, np. sokiem owocowym, napojem gazowanym, czy napojem alkoholowym, które nie nadają się do stosowania w zbiorniku na wodę. Użycie płynu tego rodzaju spowoduje trwałe uszkodzenie dozownika. Użytkowania takiego nie obejmuje gwarancja. Pewne zawarte w takich płynach substancje chemiczne i dodatki mogą uszkodzić zbiornik na wodę.



Używaj tylko świeżej, czystej wody pitnej.



Pojemność zbiornika na wodę wynosi 3 litry, nie należy jej przekraczać.



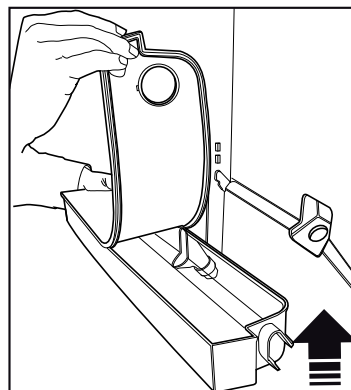
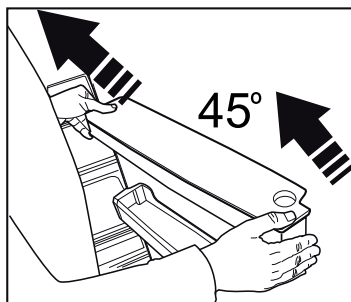
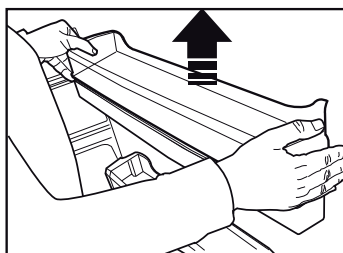
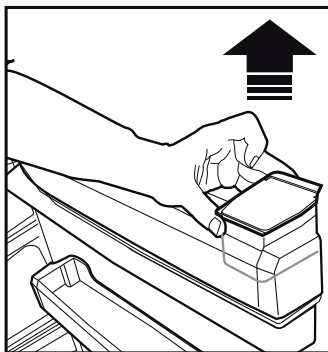
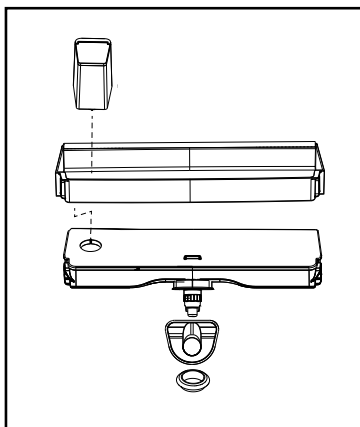
## Korzystanie z produktu

### 5.24. Czyszczenie zbiornika na wodę

1. Wyjmij zbiornik na wodę ze stelaża na drzwiach.
2. Wyjmij stelaż na drzwiach, trzymając go z obu stron.
3. Chwyć zbiornik na wodę z obu stron i wyjmij go pod kątem 45°C.
4. Zdejmij pokrywę zbiornika na wodę i wyczyść go.



Elementów zbiornika i dozownika nie należy myć w zmywarkach do naczyń.





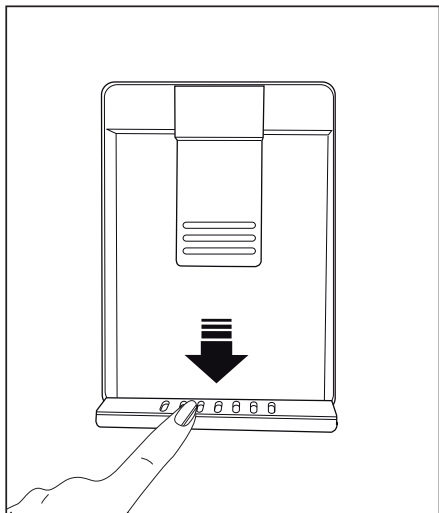
## Korzystanie z produktu

### 5.25. Tacka na krople

Woda, która kapie przy korzystaniu z dozownika zbiera się w tacce na krople.

Wyjmij plastikowy filtr tak jak pokazano na rysunku.

Wytrzyj zebraną wodę za pomocą czystej i suchej ściereczki.



### 5.26. HerbBox/HerbFresh

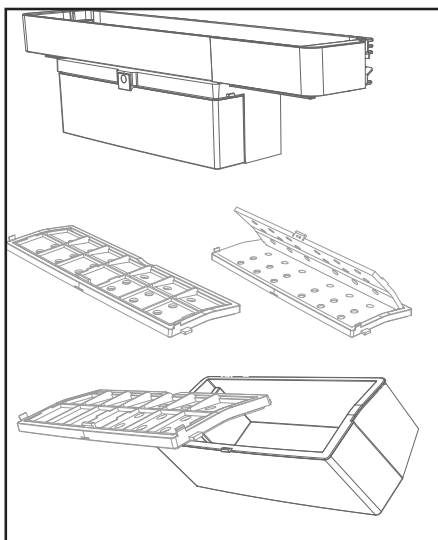
Wyjmij woreczek foliowy z pojemnika HerbBox/HerbFresh+.

Wyjmij folię z woreczka i włóż do ją do osłony tak, jak pokazano na ilustracji.

Zamknij pojemnik i umieść go w części HerbBox/HerbFresh+.

HerbBox/HerbFresh+ jest idealne do przechowywania różnorodnych, delikatnych ziół, wymagających odpowiednich warunków. W pojemniku tym możesz przechowywać na poziomie zioła wyjęte z opakowań (pietruska, koperek, itp.), co zapewni im świeżość przez znacznie dłuższy okres.

Folię należy wymieniać co pół roku.



## Korzystanie z produktu

### 5.27. Zamrażanie żywności świeżej

- Aby zachować jakość żywności, produkty spożywcze włożone do komory zamrażalnika powinny zostać zamrożone jak najszybciej. W tym celu użyj funkcji szybkiego zamrażania.
- Zamrażanie świeżych produktów spożywczych przedłuż ich czas przechowywania w komorze zamrażalnika.
- Zapakuj produkty spożywcze w hermetyczne opakowania i dobrze zamknij.
- Sprawdź, czy produkty są zapakowane przed włożeniem ich do zamrażalnika. Użyj pojemników do zamrażalnika, folii aluminiowej, papieru pergaminowego, woreczków plastikowych lub podobnych materiałów opakowaniowych zamiast tradycyjnego papieru do pakowania.
- Oznacz każde opakowanie przed zamrożeniem, pisząc na nim datę. Pozwoli Ci to określić świeżość każdego opakowania za każdym otwarciem zamrażalnika. Przechowuj wcześniej włożone produkty spożywcze z przodu, aby zostały użyte pierwsze.
- Zamrożone produkty należy zużyć zaraz po rozmrożeniu i nie wolno ich zamrażać ponownie.
- Nie należy zamrażać dużych ilości żywności na raz.



Lód w komorze zamrażania jest rozmrażany automatycznie.

Regulacja temperatury w komorze zamrażalnika.	Regulacja temperatury w komorze chłodzenia.	Informacje
-18°C	4°C	To domyślne, zalecane ustawienie.
-20, -22 lub -24°C	4°C	Te ustawienia są zalecane, jeśli temperatura otoczenia przekracza 30°C.
Quick Freeze	4°C	Funkcji tej używa się do szybkiego zamrażania żywności. Kiedy ten proces się zakończy, chłodziarka wróci do poprzedniego ustawienia.
-18°C lub zimniej	2°C	Użyj tych ustawień, jeśli uważasz, że w komorze chłodzenia nie jest dostatecznie zimno z powodu temperatury otoczenia lub częstego otwierania drzwiczek.

### 5.28. Przechowywanie żywności mrożonej

Temperatura komory musi być ustawiona na co najmniej -18°C.

1. Zamrożone produkty należy wkładać do zamrażalnika możliwie jak najszybciej, aby uniknąć rozmrożenia.
2. Przed zamrożeniem sprawdź datę ważności na opakowaniu, aby mieć pewność, że jest ona aktualna.

3. Sprawdź, że opakowanie żywności nie jest uszkodzone.

### 5.29. Informacje o komorze głębokiego zamrażania

Zgodnie ze standardem IEC 62552 zamrażalnik musi mieć zdolność zamrożenia 4,5 kg żywności w temperaturze -18°C lub niższej w ciągu 24 godzin na każde 100 litrów objętości komory zamrażalnika.

## Corzystanie z produktu

Produkty spożywcze można przechowywać przez dłuższy czas tylko w temperaturze  $-18^{\circ}\text{C}$  lub niższej.

Możesz zachować świeżość żywności przez kilka miesięcy (w komorze głębokiego zamrażania w temperaturze  $-18^{\circ}\text{C}$  lub niższej). Produkty spożywcze, które mają zostać zamrożone, nie mogą się stykać z już zamrożonymi produktami, aby uniknąć ich częściowego rozmrożenia.

Ugotuj warzywa i filtruj wodę, aby przedłużyć czas przechowywania. Umieść żywność w hermetycznych opakowaniach po filtrowaniu i umieść w zamrażalniku. Banany, pomidory, sałata, seler, gotowane jajka, ziemniaki i podobne artykuły nie powinny być zamrażane. Jeśli te artykuły zepsują się, wpłynie to negatywnie tylko na wartości odżywcze i smak. Zepsucie zagrażające zdrowiu ludzkiemu nie wchodzi w grę.

### 5.30. Rozmieszczenie żywności

Półki w komorze zamrażalnika	Różne mrozonki, np. mięso, ryby, lody, warzywa itp.
Półki komory chłodzenia	Produkty spożywcze w garnkach, na przykrytych talerzach, zamkniętych pudełkach, jajka (w zamkniętym pudełku)
Półki na drzwiach komory chłodzenia	Małe i zapakowane produkty spożywcze oraz napoje
Pojemnik na warzywa	Owoce i warzywa
Komora na żywność świeżą	Delikatesy (produkty śniadaniowe, produkty mięsne do szybkiego spożycia)

### 5.31. Alarm o otwartych drzwiach (Opcja)

Jeśli drzwi chłodziarki będą otwarte przez co najmniej minutę, rozlegnie się słyszalny alarm. Alarm ten wyłączy się po zamknięciu drzwi lub naciśnięciu dowolnego przycisku na wyświetlaczu (jeśli dostępny).

Alarm o otwartych drzwiach jest prezentowany użytkownikowi słyszalnie i wizualnie. Oświetlenie wewnętrzne wyłączy się, jeśli ostrzeżenie będzie trwało 10 min.

### 5.32. Zmiana kierunku otwierania drzwi

Możesz zmienić kierunek otwierania chłodziarki, w zależności od miejsca użytkowania. Jeśli musisz to zrobić, skontaktuj się z najbliższym autoryzowanym serwisem. Powyższe wyjaśnienie to stwierdzenie ogólne. Aby uzyskać informacje o możliwości zmiany kierunku otwierania drzwi, sprawdź etykietę ostrzegawczą wewnątrz opakowania produktu.

### 5.33. Oświetlenie wewnętrzne

Oświetlenie wewnętrzne korzysta z lampek typu LED. W przypadku problemów z lampką skontaktuj się z autoryzowanym serwisem. Lampek używanych w tym urządzeniu nie można użyć do oświetlania domu. Zgodne z przeznaczeniem użycie tej lampki to pomoc użytkownikowi w bezpiecznym i wygodnym umieszczeniu żywności w chłodziarce/ zamrażalniku.

## 6 Konserwacja i czyszczenie

Czas eksploatacji urządzenia wydłuża się, jeśli jest ono regularnie czyszczone.



**OSTRZEŻENIE:** Przed czyszczeniem chłodziarki odłącz ją od prądu.

- Do czyszczenia nie wolno stosować żadnych ostrych ani szorstkich narzędzi, mydła, domowych środków czystości, detergentów, ani wosku do polerowania.
- Rozpuść łyżeczkę węglanu w pół litrze wody. Namoczyć ściereczkę w roztworze i dokładnie ją wyźmij. Przetrzyj wnętrze chłodziarki tą ściereczką i dokładnie wytrzyj do sucha.
- Dbaj, aby do obudowy lampki i innych urządzeń elektrycznych nie dostała się woda.
- Wyczyść drzwi wilgotną ściereczką. Aby wyjąć półki z drzwi i wnętrza chłodziarki, opróżnij je z całej zawartości. Wyjmij półki z drzwi, przesuwając je w górę. Po oczyszczeniu, wsuń je od góry do dołu, aby włożyć na miejsce.
- Do czyszczenia powierzchni zewnętrznych i chromowanych części produktu nie należy używać ani środków czyszczących, ani wody z zawartością chloru. Chlor powoduje korozję takich powierzchni metalowych.
- Nie używaj ostrych ani szorstkich narzędzi, mydła, domowych środków czystości, detergentów, nafty, oleju napędowego, lakieru itp., aby zapobiec odpadnięciu i odkształceniu plastikowych części. Do czyszczenia użyj letniej wody i miękkiej ściereczki, a następnie wytrzyj do sucha.

### 6.1. Jak unikać nieprzyjemnych zapachów

Do wyrobu chłodziarek nie używa się materiałów powodujące zapachy. Jednak w wyniku niewłaściwego przechowywania żywności i nieczyszczenia wnętrza chłodziarki mogą powstawać nieprzyjemne zapachy.

A zatem co 15 dni czyść chłodziarkę roztworem węglanu w wodzie.

- Żywność przechowuje się w zamkniętych pojemnikach. Wydostające się z odkrytych pojemników mikroorganizmy mogą powodować nieprzyjemne zapachy.

- W chłodziarce nie wolno przechowywać żywności zepsutej ani takiej, której termin przydatności do spożycia upłynął.

### 6.2. Jak zabezpieczać powierzchnie plastykowe.

Wymyć od razu ciepłą wodą, ponieważ olej może spowodować uszkodzenie plastikowej powierzchni.

### 6.3. Szkło w drzwiach

Zdejmij folię ochronną ze szkła.

Na powierzchni szkła znajduje się pokrycie.

To pokrycie ogranicza możliwość powstawania plam i ułatwia usuwanie ewentualnych plam i zabrudzeń. Szkło niechronione takim pokryciem może ulec trwałemu zabrudzeniu organicznymi lub nieorganicznymi związkami opartymi na powietrzu lub wodzie, jak kamień, sole mineralne, niespalone węglowodory, tlenki metali i silikony, które łatwo i szybko powodują powstanie plam i szkody materialne. Utrzymanie szkła w czystości staje się zbyt trudne pomimo regularnego czyszczenia. W konsekwencji pogarsza się wygląd i zmniejsza przezroczystość szkła. Ostre i szorstkie metody i środki czyszczące zwiększą te problemy i przyspieszą proces niszczenia.

Należy używać niezasadowych i łagodnych środków czyszczących opartych na wodzie.

Do czyszczenia należy używać niezasadowych i łagodnych środków czyszczących, aby wydłużyć trwałość tej powłoki.

Szkło to hartuje się, aby zwiększyć odporność na uderzenie i pęknięcie.

Na jego tylne powierzchnie nakłada się także folie ochronne jako dodatkowe zabezpieczenie w celu zapobieżenia szkodom w otoczeniu w przypadku jego pośluzczenia.

\* Zasady to podstawa do tworzenia jonów wodorotlenku (OH<sup>-</sup>) po rozpuszczeniu w wodzie. Li (lit), Na (sód), K (potas) Rb (rubid), Cs (cez) oraz sztuczny i radioaktywny Fr (frans) są nazywane METALAMI ALKALICZNYMI.

Przed skontaktowaniem się z serwisem należy sprawdzić tę listę. Umożliwi to zaoszczędzenie czasu i pieniędzy. Ta lista zawiera często spotykane problemy niezwiązane z wadami jakości wykonania lub materiałów. Pewne wymienione tutaj funkcje mogą nie dotyczyć posiadanego produktu.

#### **Lodówka nie działa.**

- Wtyk zasilania nie jest włożony do końca.  
>>> Dociśnij go do końca w gniazdku.
- Bezpiecznik podłączony do gniazda zasilającego produkt lub bezpiecznik główny jest przepalony. >>> Sprawdź bezpieczniki.

#### **Kondensacja na bocznej ścianie komory chłodziarki (WIELOSTREFOWE, CHŁODZENIE, KONTROLA I STREFA ELASTYCZNA).**

- Drzwi są za często otwierane >>> Należy pamiętać, aby nie otwierać drzwi produktu za często.
- Środowisko jest za wilgotne. >>> Produktu nie należy instalować w wilgotnych środowiskach.
- Żywność zawierająca płyny jest przechowywana w nieszczelnych opakowaniach. >>> Żywność zawierająca płyny należy przechowywać w zamkniętych opakowaniach.
- Drzwi produktu pozostały otwarte. >>> Nie wolno pozostawiać otwartych drzwi produktu przez długi czas.
- Termostat jest ustawiony na za niską temperaturę. >>> Ustaw termostat na odpowiednią temperaturę.

#### **Sprężarka nie działa.**

- W przypadku nagłej awarii zasilania lub wyciągnięcia kabla zasilającego z gniazda i podłączenia go z powrotem ciśnienie gazu w układzie chłodzenia produktu jest nierównoważone, co wyzwała zabezpieczenie termiczne sprężarki. Produkt ponownie się uruchomi po około 6 minutach. Jeśli produkt nie uruchomi się po tym czasie, skontaktuj się z serwisem.
- Odmrażanie jest aktywne. >>> To jest normalne w przypadku produktu z całkowicie zautomatyzowanym odmrażaniem. Odmrażanie odbywa się okresowo.
- Produkt nie jest podłączony. >>> Upewnij się, że kabel zasilania jest podłączony.
- Nastawa temperatury jest niepoprawna. >>> Wybierz poprawną nastawę temperatury.
- Brak zasilania. >>> Po przywróceniu zasilania produkt będzie kontynuował normalną pracę.

#### **Hałas pracy lodówki zwiększa się podczas używania.**

- Wydajność robocza produktu może się zmieniać w zależności od zmian temperatury otoczenia. To jest sytuacja normalna, a nie awaria.

#### **Lodówka włącza się za często lub na zbyt długo.**

## Rozwiązywanie problemów

- Nowy produkt może być większy niż poprzedni. Większe produkty pracują dłużej.
- Temperatura w pomieszczeniu może być wysoka. >>> Produkt będzie normalnie działał przez dłuższy czas przy wyższej temperaturze w pomieszczeniu.
- Produkt mógł zostać niedawno podłączony lub do środka została włożona nowa porcja żywności. >>> Produkt będzie potrzebował więcej czasu na osiągnięcie ustawionej temperatury, jeśli został niedawno podłączony lub do środka została włożona nowa porcja żywności. To jest normalne.
- Do produktu włożono ostatnio dużą ilość gorącej żywności. >>> Do produktu nie wolno wkładać gorącej żywności.
- Drzwi były często otwierane lub były otwarte przez dłuższy czas. >>> Ciepłe powietrze przedostające się do środka spowoduje wydłużenie pracy produktu. Nie należy za często otwierać drzwi.
- Drzwi zamrażarki lub chłodziarki mogą być uchylone. >>> Sprawdź, czy drzwi są całkowicie zamknięte.
- Produkt może mieć ustawioną za niską temperaturę. >>> Ustaw wyższą temperaturę i poczekaj aż produkt ją osiągnie.
- Uszczelka drzwi chłodziarki lub zamrażarki może być zabrudzona, zużyta, uszkodzona lub niepoprawnie ułożona. >>> Oczyszczyć lub wymieść uszczelkę. Uszkodzona/podarta uszczelka drzwi spowoduje wydłużenie działania produktu w celu utrzymania bieżącej temperatury.

### **Temperatura zamrażarki jest bardzo niska, ale temperatura chłodziarki jest odpowiednia.**

- Temperatura komory zamrażarki jest ustawiona bardzo nisko. >>> Ustaw wyższą temperaturę komory zamrażarki i sprawdź ponownie.

### **Temperatura chłodziarki jest bardzo niska, ale temperatura zamrażarki jest odpowiednia.**

- Temperatura komory chłodziarki jest ustawiona bardzo nisko. >>> Ustaw wyższą temperaturę komory chłodziarki i sprawdź ponownie.

### **Żywność przechowywana w szufladach komory chłodziarki jest zamrznięta.**

- Temperatura komory chłodziarki jest ustawiona bardzo nisko. >>> Ustaw wyższą temperaturę komory zamrażarki i sprawdź ponownie.

### **Temperatura chłodziarki lub zamrażarki jest za wysoka.**

- Temperatura komory chłodziarki jest ustawiona bardzo wysoko. >>> Nastawa temperatury komory chłodziarki wpływa na temperaturę komory zamrażarki. Zmień temperaturę komory chłodziarki lub zamrażarki i poczekaj aż odpowiednia komora osiągnie ustawiony poziom temperatury.
- Drzwi były często otwierane lub były otwarte przez dłuższy czas. >>> Nie należy za często otwierać drzwi.
- Drzwi mogą być uchylone. >>> Całkowicie zamknij drzwi.
- Produkt mógł zostać niedawno podłączony lub do środka została włożona nowa porcja żywności. >>> To jest normalne. Produkt będzie potrzebował więcej czasu na osiągnięcie ustawionej temperatury, jeśli został niedawno podłączony lub do środka została włożona nowa porcja żywności.
- Do produktu włożono ostatnio dużą ilość gorącej żywności. >>> Do produktu nie wolno wkładać gorącej żywności.

### **Wstrząsy lub hałas.**

## Rozwiązywanie problemów

- Podłoże nie jest poziome lub wytrzymałe. >>> Jeśli produkt się kołysze podczas powolnego przemieszczania, wyreguluj nóżki w celu zrównoważenia produktu. Upewnij się też, że podłoże jest wystarczająco wytrzymałe i uniesie produkt.

- Wszelkie przedmioty umieszczone na produkcie mogą powodować hałas. >>> Zdejmij wszelkie przedmioty umieszczone na produkcie.

### **Produkt wytwarza dźwięki przepływającego płynu, rozpryskiwania itd.**

- Zasada działania produktu obejmuje przepływ płynu i gazu. >>> To jest sytuacja normalna, a nie awaria.

### **Z produktu słychać odgłos dmuchającego wiatru.**

- Produkt używa wentylatora w procesie chłodzenia. To jest sytuacja normalna, a nie awaria.

### **Na wewnętrznych ściankach produktu występuje kondensacja.**

- Gorąca lub zimna pogoda zwiększy zalodzenie i kondensację. To jest sytuacja normalna, a nie awaria.
- Drzwi były często otwierane lub były otwarte przez dłuższy czas. >>> Nie należy otwierać drzwi za często, a jeśli są otwarte należy je zamknąć.
- Drzwi mogą być uchylone. >>> Całkowicie zamknij drzwi.

### **Na powierzchni zewnętrznej lub między drzwiami produktu występuje kondensacja.**

- Pogoda może być wilgotna i to zjawisko jest normalne w takich warunkach. >>> Po zmniejszeniu wilgotności kondensacja zniknie.

### **Nieprzyjemny zapach we wnętrzu.**

- Produkt nie jest regularnie czyszczony. >>> Czyść wnętrze regularnie za pomocą gąbki, ciepłej wody i wody z węglanem.
- Niektóre pojemniki i opakowania mogą wywoływać nieprzyjemne zapachy. >>> Należy używać pojemników i opakowań z materiałów niewydzielających zapachów.
- Żywność została umieszczona w nieszczelnych opakowaniach. >>> Żywność należy przechowywać w zamkniętych opakowaniach. Drobnoustroje mogą się rozprzestrzeniać z niezamkniętych opakowań i powodować nieprzyjemne zapachy.
- Z produktu należy usunąć żywność przeterminowaną i zepsutą żywność.

### **Drzwi się nie zamykają.**

- Opakowania żywności mogą blokować drzwi. >>> Przesuń przedmioty blokujące drzwi.
- Produkt nie stoi całkowicie pionowo na ziemi. >>> Wyreguluj nóżki, aby zrównoważyć produkt.
- Podłoże nie jest poziome lub wytrzymałe. >>> Upewnij się, że podłoże jest poziome i wystarczająco wytrzymałe oraz uniesie produkt.

### **Zaciął się pojemnik na warzywa.**

- Żywność może się stykać z górną częścią szuflady. >>> Zmień ułożenie żywności w szufladzie.

### **Jeśli powierzchnia produktu jest gorąca.**

- Podczas pracy produktu obszar między drzwiczkami, panele boczne i tylny ruszt mogą osiągać wysoką temperaturę. Jest to normalne zjawisko i nie oznacza konieczności dokonywania naprawy!



**OSTRZEŻENIE:** Jeśli problem nie zniknie po wykonaniu instrukcji podanych w tym rozdziale, skontaktuj się ze sprzedawcą lub autoryzowanym serwisem. Nie próbuj naprawiać produktu.



58 0940 0000/AJ

2/4

SK-DE-PL

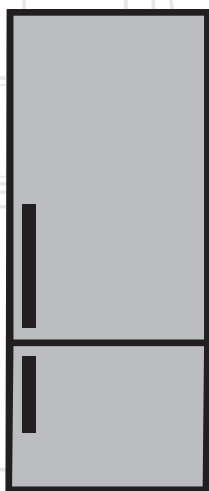


[www.beko.com](http://www.beko.com)



# Refrigerator

User manual



RCNE560E30ZXP

RCNE560E30DZXP

RCNE560I30DXB

RCNE560E30DZXB

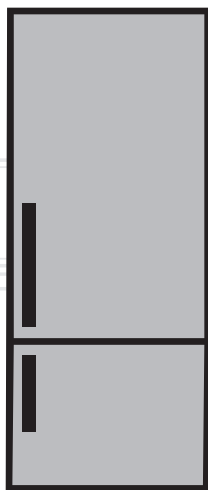
RCNE560E30ZXB

FR IES |

**beko**

# Réfrigérateur

Manuel d'utilisation



FR |

**beko**

## **Veillez d'abord lire ce manuel d'utilisation !**

Chère cliente, cher client,

Nous aimerions que vous soyez entièrement satisfait de notre appareil, fabriqué dans des infrastructures modernes et ayant fait l'objet d'un contrôle de qualité minutieux.

À cet effet, veuillez lire en intégralité le manuel d'utilisation avant d'utiliser cet appareil, et conservez-le pour références ultérieures. Si vous offrez cet appareil à une autre personne, remettez-lui également le manuel d'utilisation.

### **Le manuel d'utilisation garantit l'utilisation rapide et sécurisée du réfrigérateur.**

- Veuillez lire le manuel d'utilisation avant d'installer et d'utiliser le réfrigérateur,
- Respectez toujours les instructions de sécurité en vigueur,
- Tenez le manuel d'utilisation à portée pour références ultérieures,
- Veuillez lire tous les autres documents fournis avec l'appareil,

Veillez noter que ce manuel d'utilisation peut se rapporter à plusieurs modèles de cet appareil. Le manuel indique clairement toutes les différences entre les modèles.

Symboles et commentaires

Les symboles suivants sont utilisés dans le manuel d'utilisation :

	Informations importantes et renseignements utiles,
	Avertissement relatif aux conditions dangereuses pour la vie et la propriété,
	Risque d'électrocution,
	L'emballage de l'appareil a été fabriqué à partir de matériaux recyclables, conformément à la législation nationale en matière d'environnement,

**1 Consignes importantes relatives à la sécurité et à l'environnement 3**

1.1. Sécurité générale . . . . . 3  
 1.1.1 Mise en garde concernant les hydrocarbures 5  
 1.1.2 Pour les appareils avec distributeur d'eau/machine à glaçons . . . . . 6  
 1.2. Utilisation préconisée. . . . . 6  
 1.3. Sécurité des enfants . . . . . 6  
 1.4. Conformité avec la directive DEEE et mise au rebut de l'appareil usagé : . . . . . 7  
 1.5. Conformité avec la directive LdSD : . . . . . 7  
 1.6. Informations relatives à l'emballage . . . . . 7

**2 Votre réfrigérateur 9**

**3 Installation 10**

3.1. Lieu idéal d'installation . . . . . 10  
 3.2. Fixation des cales en plastique. . . . . 10  
 3.3. Réglage des pieds. . . . . 10  
 3.4. Branchement électrique . . . . . 11  
 3.5. Réversibilité des portes . . . . . 12  
 3.6. Réversibilité des portes . . . . . 13

**4 Préparation 14**

4.1. Moyens d'économiser l'énergie . . . . . 14  
 4.2. Première utilisation . . . . . 14

**5 Utilisation de l'appareil 15**

5.1. Bouton de réglage de température. . . . . 15  
 5.2. Congélation rapide . . . . . 15  
 5.4. Bouton de réglage du thermostat. . . . . 16  
 5.3. Fonction Vacances . . . . . 16  
 5.5. Décongélation. . . . . 17  
 5.6. Bandeau indicateur . . . . . 18  
 5.7. Bandeau indicateur . . . . . 19  
 5.8. Bandeau indicateur . . . . . 21  
 5.9. Seau à glace . . . . . 27  
 5.10. Support d'œufs . . . . . 27  
 5.11. Ventilateur . . . . . 27  
 5.12. Bac à légumes . . . . . 27  
 5.13. Compartiment zéro degré. . . . . 27

5.14. Éclairage bleu . . . . . 27  
 5.15. Utilisation du deuxième bac à légumes de l'appareil; . . . . . 28  
 5.16. Balconnet de porte amovible . . . . . 29  
 5.17. Boîte de stockage coulissante . . . . . 29  
 5.18. Bac à légumes à humidité contrôlée. . . . . 30  
 5.19. Module de désodorisation . . . . . 30  
 5.20. Machine à glace automatique . . . . . 31  
 5.21. Distributeur et récipient de conservation de glaçons . . . . . 32  
 (dans certains modèles) . . . . . 32  
 5.22. Distributeur d'eau . . . . . 33  
 5.23. Utilisation du distributeur . . . . . 33  
 5.24. Nettoyer le réservoir d'eau . . . . . 34  
 5.25. Bac à eau . . . . . 35  
 5.26. Congélation des produits frais. . . . . 36  
 5.27. Recommandations relatives à la conservation des aliments congelés . . . . . 36  
 5.28. Informations relatives au congélateur . . . . . 37  
 5.29. Disposition des denrées . . . . . 37  
 5.30. Alerte ouverture de porte . . . . . 37  
 5.31. Inversion de la direction d'ouverture de la porte . . . . . 37  
 5.32. Éclairage interne . . . . . 37

**6 Entretien et nettoyage 38**

6.1. Prévention des mauvaises odeurs . . . . . 38  
 6.2. Protection des surfaces en plastique. . . . . 39  
 6.3. Nettoyage de la surface intérieure . . . . . 39  
 6.4. Surfaces extérieures en acier inoxydable . . . . . 39  
 6.5. Nettoyage d'appareils avec portes en verre 39






**6 Entretien et nettoyage 39**

**7 Dépannage 40**

# 1 Consignes importantes relatives à la sécurité et à l'environnement

Cette section comporte des informations de sécurité qui vous aideront à éviter les risques de blessures ou de dommages matériels. Le non-respect de ces instructions entraîne l'annulation de la garantie des appareils.

## Utilisation Préconisée

	<b>AVERTISSEMENT:</b> Assurez-vous que les trous d'aération ne sont pas fermés quand le dispositif est dans son boîtier ou est installé à sa place.
	<b>AVERTISSEMENT:</b> Ne pas utiliser tout dispositif mécanique ou un autre dispositif hors des recommandations du fabricant pour accélérer le processus de décongeler.
	<b>AVERTISSEMENT:</b> Ne pas endommager le circuit de fluide du réfrigérateur.
	<b>AVERTISSEMENT:</b> Ne pas utiliser des appareils électriques non prévus par le fabricant dans les compartiments de conservation des aliments.
	<b>AVERTISSEMENT:</b> Ne conservez pas de substances explosives comme des aérosols avec un liquide inflammable dans cet appareil.

Ce dispositif est conçu pour l'usage domestique ou les applications similaires suivantes :

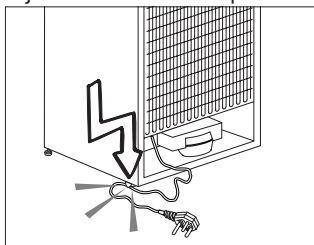
- Pour être utilisé dans la cuisine de personnel dans les magasins, bureaux et autres environnements de travail ;
- Pour être utilisé par les clients dans les maisons de campagne et hôtels et les autres environnements d'hébergement ;
- Dans des environnements de type de pension de famille
- Dans des applications similaires n'ayant pas de service alimentaire et non détaillants

## 1.1. Sécurité générale

- Les personnes présentant un handicap physique, sensoriel ou mental ou encore celles manquant d'expérience ou de connaissances appropriées, ou les enfants doivent éviter d'utiliser, de se rapprocher, de jouer ou de rentrer à l'intérieur de ce produit.
- L'utilisation non contrôlée et le non-respect des consignes énoncées ci-dessus constituent un réel danger !
- Débranchez l'appareil si une panne survient alors qu'il est en cours d'utilisation.
- En cas de dysfonctionnement, n'utilisez pas l'appareil jusqu'à ce qu'il soit réparé par un agent de service agréé. Risque de choc électrique !
- Branchez l'appareil à une prise mise à la terre, protégée par un fusible conforme aux valeurs figurant sur la plaque signalétique. Faites appel à un électricien qualifié pour la mise à la terre de l'appareil. Notre société ne peut pas être tenue pour responsable des dommages résultant de la non utilisation du produit avec une prise mise à la terre conformément aux réglementations locales.
- Débranchez l'appareil lorsque vous ne l'utilisez pas.

## Instructions en matière de sécurité et d'environnement

- N'aspergez pas l'appareil et n'y versez pas de l'eau lorsque vous le lavez! Risque de choc électrique !
- Ne touchez jamais la prise avec des mains mouillées !
- Ne débranchez jamais l'appareil en tirant sur le câble. Débranchez-le toujours en le tenant par la fiche.



- Évitez de brancher le réfrigérateur lorsque la prise de courant est mal fixée.
- Ne branchez jamais votre réfrigérateur à des systèmes d'économies d'énergie. Ces systèmes présentent des risques pour votre appareil.
- Débranchez l'appareil pendant les procédures d'installation, d'entretien, du nettoyage et de réparation.
- Contactez toujours un **Agent de service agréé** pour l'installation de l'appareil et la réalisation des branchements électriques. Le fabricant décline toute responsabilité pour les dommages causés par la réalisation de ces procédures par des personnes non autorisées.
- Ne mangez pas de cônes de crème glacée ou des glaçons immédiatement après les avoir sortis du compartiment de congélation ! Cela pourrait provoquer des engelures dans votre bouche !
- Ne touchez pas les aliments congelés avec les mains mouillées ! Ils peuvent coller à vos mains !
- Ne posez pas de boissons en bouteilles ou en cannettes dans le congélateur. Elles risquent d'exploser !
- N'utilisez jamais de vapeur ni de matériel de nettoyage à vapeur pour nettoyer ou décongeler le réfrigérateur. Tout contact entre la vapeur et les éléments sous tension de votre réfrigérateur peut entraîner un court-circuit ou un choc électrique !
- Pour accélérer le processus de décongélation, n'utilisez pas d'outils mécaniques ou de dispositifs autres que ceux recommandés par le fabricant.
- N'utilisez jamais les pièces de votre réfrigérateur telles que la porte et le tiroir, comme un support ou une marche. Une telle utilisation de l'appareil peut l'emmener à balancer ou endommager ses parties.
- Évitez d'endommager les pièces où circule le liquide réfrigérant avec des outils de perforation ou de coupe. Le liquide réfrigérant qui pourrait s'échapper si les canalisations de gaz de l'évaporateur, les rallonges de tuyau ou les revêtements de surface étaient percés, peut irriter la peau et provoquer des blessures aux yeux.
- Ne laissez aucun objet couvrir ou obstruer les orifices de ventilation du réfrigérateur.
- Placez les boissons alcoolisées verticalement, dans des récipients convenablement fermés.

## Instructions en matière de sécurité et d'environnement

- N'utilisez pas de pulvérisateur à gaz à proximité de l'appareil car cela pourrait causer un incendie ou une explosion !
- Les articles inflammables ou les produits contenant des gaz inflammables (par ex. : aérosols) ainsi que les matériaux explosifs ne doivent jamais être conservés dans l'appareil.
- Ne placez pas de récipient contenant de liquides au-dessus de l'appareil. Les projections d'eau sur les pièces électriques peuvent causer un choc électrique ou un risque d'incendie.
- Évitez de ranger les éléments qui nécessitent un réglage précis de la température (tels que les vaccins, les médicaments sensibles à la chaleur, les outils scientifiques, etc.) dans le réfrigérateur.
- Si vous n'allez pas utiliser l'appareil pendant une longue période, débranchez-le et retirez tous les aliments l'intérieur.
- Si le réfrigérateur émet une lumière bleue, ne la regardez pas en utilisant des outils optiques.
- L'exposition du produit à la pluie, la neige, le soleil ou le vent présente des risques en matière de sécurité électrique.
- Avec des appareils équipés de commandes mécaniques (thermostat), patientez 5 minutes avant de rebrancher l'appareil après l'avoir débranché.
- Ne surchargez pas le réfrigérateur. Les objets dans le réfrigérateur peuvent tomber lorsque vous ouvrez la porte, causant des blessures et des dommages. Des problèmes similaires peuvent survenir si vous placez des objets au-dessus de l'appareil.
- Si l'appareil possède une poignée de porte, ne tirez pas dessus pour déplacer l'appareil. La poignée peut se desserrer.
- Soyez prudent pour ne pas coincer vos doigts ou toute autre partie de votre corps dans les pièces mobiles du réfrigérateur.
- Ne placez pas vos doigts ou tout autre corps étranger dans la machine à glace lorsqu'elle est en marche.

### 1.1.1 Mise en garde concernant les hydrocarbures

- Si le système de refroidissement de votre appareil contient du R600a : Ce gaz est inflammable. Par conséquent, veillez à ne pas endommager le système de refroidissement ou la tuyauterie pendant l'utilisation et le transport. En cas de dommage, tenez l'appareil à l'écart de potentielles sources de feu, susceptibles de l'enflammer et aérez la pièce dans laquelle est installé l'appareil.



Si l'appareil est endommagé et vous voyez une fuite de gaz, tenez-vous à l'écart du gaz. Au contact de la peau, il peut entraîner des engelures. (notamment le R134)

## Instructions en matière de sécurité et d'environnement

	Ignorez cet avertissement si le système de refroidissement de votre appareil contient du R134a.
	Le type de gaz utilisé dans l'appareil est mentionné sur la plaque signalétique située sur la paroi gauche à l'intérieur du réfrigérateur.
	<b>AVERTISSEMENT :</b> Ne jetez jamais l'appareil dans du feu pour sa mise au rebut.

### 1.1.2 Pour les appareils avec distributeur d'eau/machine à glaçons

- La pression de l'eau froide à l'entrée ne doit pas excéder 90 psi (620 kPa). Si votre pression d'eau dépasse 80 psi (550 kPa), utilisez une soupape de limitation de pression sur votre réseau de conduite. Si vous ne savez pas comment vérifiez la pression de l'eau, demandez l'assistance d'un plombier professionnel.
- En cas de risque d'impact causé par d'eau dans votre installation, utilisez toujours un dispositif de protection anti coup de bélier. Contactez un plombier professionnel si vous n'êtes pas certain(e) que votre installation présente un risque d'effet coup de bélier.
- Ne procédez pas à l'installation de l'arrivée d'eau chaude.
- Prenez les mesures nécessaires contre le risque de gel des tuyaux.
- Utilisez uniquement de l'eau potable.

- La plage de température de fonctionnement est de 0.6 °C (33 °F) au minimum et 38 °C (100 °F) au maximum.

	<b>AVERTISSEMENT :</b> Ne branchez jamais l'appareil à un réseau d'eau froide, lorsque la pression est supérieure ou égale à 550kPa (80 psi).
---	--

### 1.2. Utilisation préconisée

- Cet appareil est destiné à un usage ménager. Il n'est pas indiqué pour une utilisation à des fins commerciales et ne doit pas être utilisé à des fins autres que celles prévues.
- Il ne doit être utilisé que pour conserver des aliments.
- Le fabricant n'assume aucune responsabilité pour les dommages résultant de l'utilisation et du transport inappropriés.
- Les pièces de rechange d'origine seront disponibles jusqu'à 10 ans après la date d'achat de l'appareil.

### 1.3. Sécurité des enfants

- En cas de verrou sur la porte de l'appareil, gardez la clé hors de la portée des enfants.
- Ne laissez pas les enfants jouer avec l'appareil.



## Instructions en matière de sécurité et d'environnement



**DANGER :**  
Avant de mettre au rebut votre ancien réfrigérateur ou congélateur :

- Les enfants peuvent s'y enfermer.
- Retirez les portes.
- Laissez les étagères pour éviter que les enfants accèdent facilement à l'intérieur de l'appareil.

### 1.4. Conformité avec la directive DEEE et mise au rebut de l'appareil usagé :



Ce produit est conforme à la directive européenne concernant les appareils électriques et électroniques (2012/19 UE). Il porte un symbole de classification pour la mise au rebut des équipements électriques et

électroniques (DEEE). Cet appareil a été fabriqué avec des pièces et du matériel de qualité supérieure susceptibles d'être réutilisés et adaptés au recyclage. Par conséquent, évitez de mettre l'appareil au rebut aux côtés des ordures ménagères à la fin de sa durée de vie. Transportez-le vers un point de collecte destiné au recyclage des équipements électriques et électroniques. Consultez les autorités de votre localité pour plus d'informations sur ces points de collecte.

### 1.5. Conformité avec la directive LdSD :

L'appareil que vous avez acheté est conforme à la Directive LdSD de L'Union européenne (2011/65/UE). Il ne comporte pas les matières dangereuses et interdites mentionnées dans la Directive.

### 1.6. Informations relatives à l'emballage

- Les matériaux d'emballage de cet appareil sont fabriqués à partir de matériaux recyclables, conformément à notre réglementation nationale en matière d'environnement. Ne jetez pas les matériaux d'emballage avec les ordures ménagères normales ou d'autres types de déchets. Transportez ces matériaux vers un point de collecte prévu par les autorités locales.

## Instructions en matière de sécurité et d'environnement

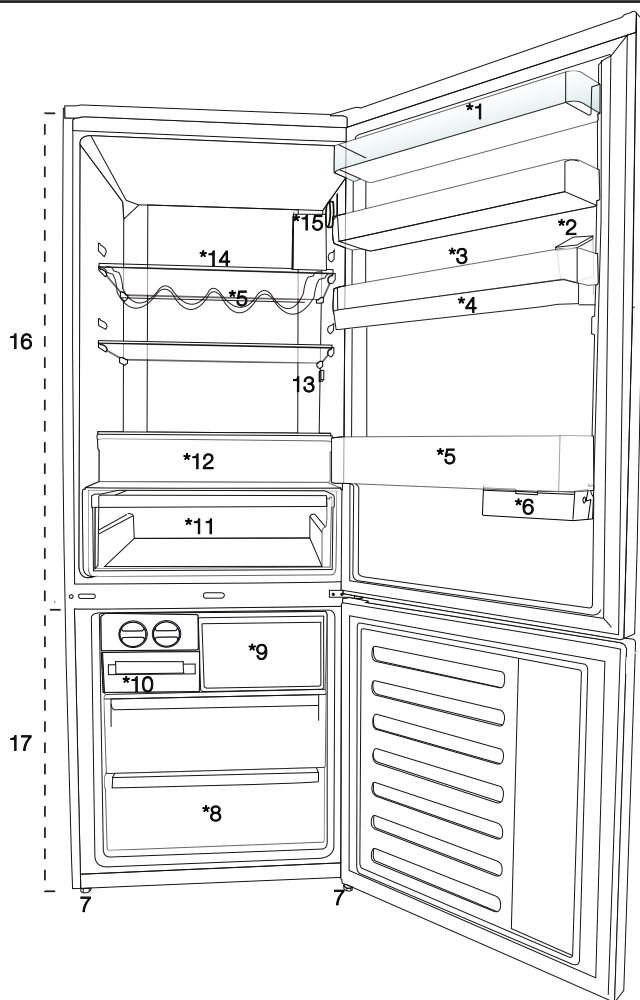


### **DANGER :**

#### **Risque d'incendie ou d'explosion :**

- Cet appareil utilise un réfrigérant inflammable.
- N'utilisez pas d'objets mécaniques pour dégivrer le réfrigérateur.
- N'utilisez pas de produits chimiques pour le nettoyage.
- Évitez de percer le conduit du réfrigérant.
- Si le conduit du réfrigérant est percé, faites-le uniquement réparer par un agent de service agréé.
- Veuillez consulter le Manuel d'utilisation/de réparation avant de nettoyer l'appareil. Veuillez respecter toutes les précautions de sécurité.
- Éliminez votre appareil dans le respect de la réglementation fédérale ou locale.

## 2 Votre réfrigérateur



1. Balconnet de la porte du compartiment réfrigérateur
2. Opercule du réservoir d'eau
3. Réservoir du distributeur d'eau
4. Bac à Oeufs
5. Clayette range-bouteilles
6. Boîte de stockage coulissante
7. Pieds réglables
8. Compartiment congélation rapide
9. Compartiment de congélation rapide
10. Bac à glaçons et banque de glace
11. Bac à légumes
12. Compartiment zéro degré
13. Éclairage intérieur
14. Balconnet de la vitre du compartiment réfrigérateur
15. Bouton de réglage de température
16. Compartiment réfrigérateur
17. Compartiment congélateur



**\*En option :** Les images présentées dans ce manuel sont fournies à titre indicatif et elles peuvent ne pas correspondre exactement à votre appareil. Si votre appareil ne dispose pas des parties citées, alors l'information s'applique à d'autres modèles.

### 3.1. Lieu idéal d'installation

Contactez le service agréé pour l'installation de votre réfrigérateur. Pour préparer l'installation du réfrigérateur, lisez attentivement les instructions du manuel d'utilisation et assurez-vous que les équipements électriques et d'approvisionnement d'eau sont installés convenablement. Si non, contactez un électricien et un plombier pour effectuer les réparations nécessaires.



**AVERTISSEMENT :** Le fabricant ne sera pas tenu responsable en cas de problèmes causés par des travaux effectués par des personnes non autorisées.



**AVERTISSEMENT :** Débranchez le câble d'alimentation du réfrigérateur pendant l'installation. Le non-respect de cette consigne peut entraîner la mort ou des blessures graves !



**AVERTISSEMENT :** Si le cadre de la porte est trop étroit pour laisser passer l'appareil, retirez la porte et faites passer l'appareil sur les côtés ; si cela ne fonctionne pas, contactez le service agréé.

- Placez l'appareil sur une surface plane pour éviter les vibrations.
- Placez le produit à 30 cm du chauffage, de la cuisinière et des autres sources de chaleur similaires et à au moins 5 cm des fours électriques.
- N'exposez pas le produit directement à lumière du soleil et ne le laissez pas dans des environnements humides.
- Le bon fonctionnement de votre réfrigérateur nécessite la bonne circulation de l'air.
- Si le réfrigérateur est placé dans un encastrement mural, assurez-vous de laisser un espace d'au moins 5 cm avec le plafond et le mur.
- Ne placez pas le réfrigérateur dans des environnements avec des températures inférieures à -5 °C.

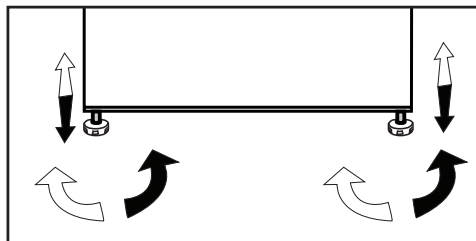
### 3.2. Fixation des cales en plastique

Utilisez les cales en plastiques fournies avec le réfrigérateur pour créer une circulation d'air suffisante entre le réfrigérateur et le mur.

1. Pour fixer les cales, retirez les vis du réfrigérateur et utilisez celles fournies avec les cales,
2. Fixez 2 cales en plastique sur le couvercle de ventilation tel qu'illustré par l'image.

### 3.3. Réglage des pieds

Si le réfrigérateur n'est pas équilibré, réglez les pieds avant en les tournant vers la gauche ou la droite.



## Installation

### 3.4. Branchement électrique

	<b>AVERTISSEMENT</b> : Ne branchez pas le réfrigérateur sur une rallonge ou une multiprise.
	<b>AVERTISSEMENT</b> : Les câbles d'alimentation endommagés doivent être remplacés par le service agréé.
	Lorsque deux réfrigérateurs sont installés côte à côte, ils doivent être séparés par au moins 4 cm.

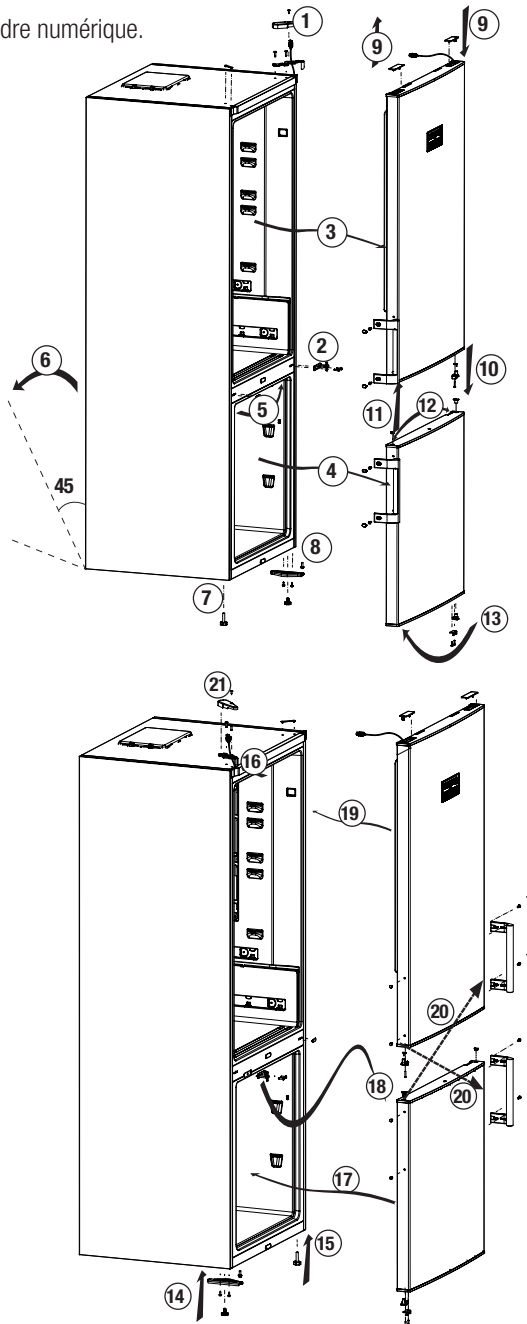
- Notre entreprise ne sera pas tenue responsable de tout dommage résultant de l'utilisation de l'appareil sans prise de mise à la terre ou branchement électrique conforme à la norme nationale en vigueur.
- Gardez la fiche du câble d'alimentation à portée de main après l'installation.
- N'utilisez pas de fiches multiples avec ou sans câble d'extension entre la prise murale et le réfrigérateur.

	<b>AVERTISSEMENT</b> :Relatif à la surface chaude Les parois latérales de votre appareil sont équipées de conduits frigorifiques visant à améliorer le système de refroidissement. Le réfrigérant porté à des températures élevées peut jaillir à travers ces zones, entraînant ainsi le réchauffement des parois latérales. Ce phénomène est normal et ne nécessite aucun entretien. Soyez prudent au moment de toucher à ces zones.
--	--

## Installation

### 3.5. Réversibilité des portes

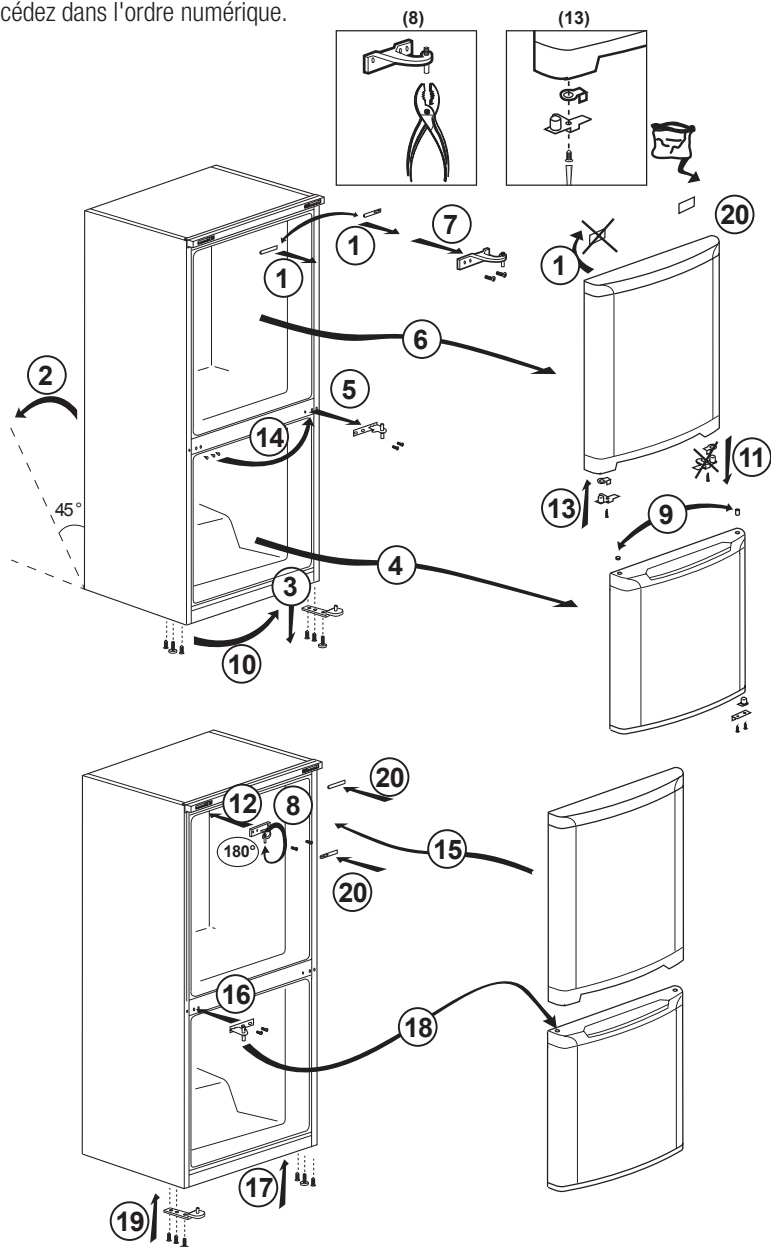
Procédez dans l'ordre numérique.



## Installation

### 3.6. Réversibilité des portes

Procédez dans l'ordre numérique.



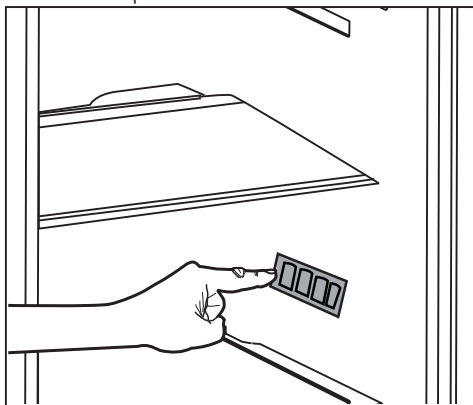
## 4.1. Moyens d'économiser l'énergie



Il est dangereux de connecter l'appareil aux systèmes électroniques d'économie d'énergie, ils pourraient l'endommager.

- Ne laissez pas la porte du réfrigérateur ouverte longtemps.
- Ne conservez pas des aliments ou des boissons chauds dans le réfrigérateur.
- Ne surchargez pas le réfrigérateur, l'obstruction du flux d'air interne réduira la capacité de réfrigération.
- Pour stocker une quantité maximale d'aliments dans le compartiment réfrigérateur, retirez les tiroirs supérieurs et placez-les sur l'étagère pour verres. La consommation énergétique définie de votre réfrigérateur est déterminée lorsque vous retirez le refroidisseur, le bac à glaçons et les tiroirs supérieurs d'une manière qui permettra un chargement maximal. Il est fortement recommandé d'utiliser le tiroir inférieur lors du chargement. Activez la fonction Économie d'énergie pour une meilleure consommation énergétique.
- Évitez de bloquer le flux d'air en plaçant les aliments devant le ventilateur du refroidisseur. Laissez un espace de 3 cm devant la grille de protection du ventilateur lors du chargement des aliments.
- Selon les caractéristiques de l'appareil, le dégivrage des aliments congelés dans le compartiment réfrigérateur assurera l'économie d'énergie et la préservation de la qualité des aliments.
- Placez les aliments dans les étagères à l'intérieur du compartiment réfrigérateur afin de réaliser des économies d'énergie et de conserver les aliments dans un meilleur environnement.
- Veillez à ce que les emballages d'aliments ne soient pas en contact direct avec le capteur de chaleur situé dans le compartiment réfrigérateur. Dans le cas contraire, la consommation énergétique de votre appareil pourrait augmenter.

- Veuillez-vous assurer que les aliments ne sont pas en contact direct avec le capteur de température du compartiment réfrigérateur décrit ci-après.



## 4.2. Première utilisation

Avant d'utiliser votre réfrigérateur, assurez-vous que les installations nécessaires sont conformes aux instructions des sections « Instructions en matière de sécurité et d'environnement » et « Installation ».

- Laissez l'appareil vide en marche pendant 6 heures, et ne l'ouvrez pas sauf en cas de nécessité absolue.



Un son retentit à l'activation du compresseur. Il est également normal d'entendre ce son lorsque le compresseur est inactif, en raison des liquides et des gaz comprimés présents dans le système de réfrigération.



Les bords avant du réfrigérateur peuvent chauffer. Ce phénomène est normal. Ces parties doivent en principe être chaudes afin d'éviter la condensation.



Dans certains modèles, le panneau indicateur se met automatiquement en veilleuse 5 minutes après la fermeture de la porte. Ce panneau s'active à nouveau lorsque la porte est ouverte ou lorsqu'on appuie sur un bouton.



## 5 Utilisation de l'appareil

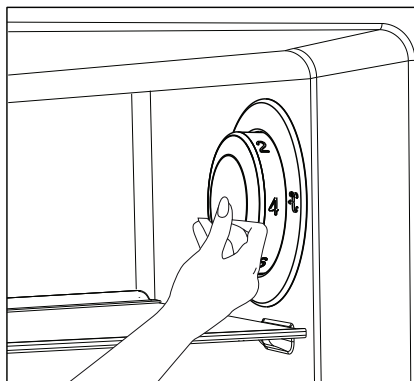
### 5.1. Bouton de réglage de température

La température interne de votre réfrigérateur varie selon les raisons suivantes :

- Températures saisonnières,
- les portes sont ouvertes fréquemment et restent longtemps ouvertes,
- les aliments sont introduits dans le réfrigérateur sans réduction de la température à la température ambiante,
- l'emplacement du réfrigérateur dans la pièce (par ex. exposition à la lumière directe du soleil).
- La variation de la température interne en raison de ces facteurs peut être réglée via le bouton de réglage de la température.

Les chiffres autour du bouton de réglage indiquent les degrés de température comme « °C ».

Si la température ambiante est de 20 °C, il est recommandé de régler la température du réfrigérateur à 4 °C. Sous d'autres températures ambiantes, cette valeur peut être personnalisée.

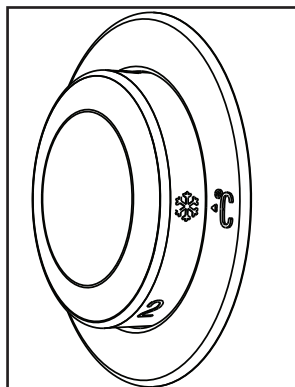


### 5.2. Congélation rapide

Si vous souhaitez congeler de grandes quantités d'aliments frais, placez le bouton de réglage de la température sur la position (❄️) avant d'introduire les aliments dans le compartiment de congélation rapide.

Nous vous recommandons de laisser le bouton à cette position pendant au moins 24 heures pour congeler une quantité maximale d'aliments correspondant à la capacité de congélation stipulée. Veillez surtout à ne pas mélanger les aliments congelés et les aliments frais.

Assurez-vous de placer le bouton de réglage de température à sa position initiale.



## Utilisation de l'appareil

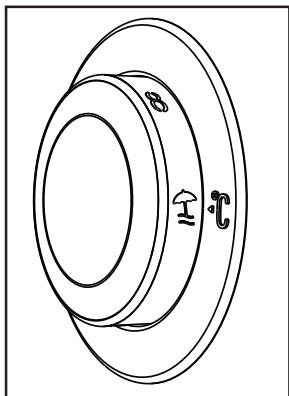
### 5.3. Fonction Vacances

Si les portes de votre réfrigérateur ne sont pas

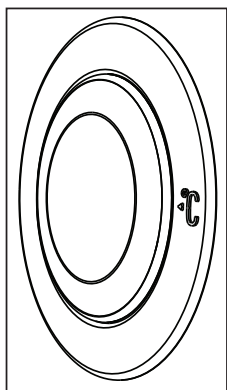
(🔒) ouvertes pendant au moins 12 heures après l'ajustement du bouton de réglage de la température à la position la plus élevée, la fonction Vacances est automatiquement activée.

Les paramètres du bouton peuvent être modifiés afin d'annuler cette fonction.

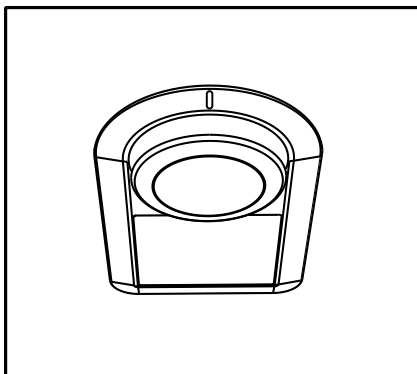
Il n'est pas recommandé de conserver les aliments dans le compartiment réfrigérateur lorsque cette fonction est activée.



- Une fois le réglage terminé, vous pouvez dissimuler le bouton de réglage de la température en l'appuyant à l'intérieur.



### 5.4. Bouton de réglage du thermostat



La température de fonctionnement est réglée à l'aide de la commande de température.



**1 = Réglage de réfrigération le plus faible (Réglage le plus chaud).**

**4 = Réglage de réfrigération le plus fort (Réglage le plus froid).**

La température médiane à l'intérieur du réfrigérateur doit être proche de +5 °C. Veuillez choisir le réglage en fonction de la température désirée.

Vous remarquerez qu'il y a plusieurs températures différentes dans la zone de réfrigération.

La zone la plus froide est située directement au-dessous du bac à légumes.

La température intérieure est également fonction de la température ambiante, la fréquence d'ouverture de la porte et la quantité de denrées stockées à l'intérieur.

Si la porte est ouverte fréquemment, la température intérieure monte.

Pour cette raison, il est recommandé de refermer la porte aussitôt que possible après utilisation.

## Utilisation de l'appareil

La température intérieure de votre réfrigérateur change pour les raisons suivantes:

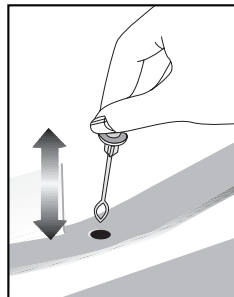
Températures saisonnières,

Ouverture fréquente de la porte et porte laissée ouverte pendant de longues périodes,

Denrées introduites dans le réfrigérateur sans réduction à la température ambiante.

Emplacement du réfrigérateur dans la pièce (par ex. exposition à la lumière directe du soleil)

Vous pouvez régler les différentes températures intérieures dues à de telles raisons en utilisant le thermostat. Les numéros entourant le bouton du thermostat indiquent le niveau de refroidissement.



### 5.5. Décongélation

#### Compartiment réfrigérateur

Le compartiment réfrigérateur se dégivre automatiquement. De l'eau s'écoule et une couche de givre pouvant atteindre 7-8 mm peut se former sur la paroi arrière interne du compartiment du réfrigérateur pendant le processus de refroidissement. Cette formation est normale, provoquée par le système de refroidissement. La formation de givre peut être supprimée par le dégivrage automatique qui s'active régulièrement grâce au système de dégivrage de la paroi arrière. L'utilisateur n'a pas besoin d'éliminer le givre ou les gouttes d'eau manuellement.

L'eau générée par le dégivrage s'écoule dans la rainure de collecte de l'eau et passe dans l'évaporateur par le tuyau de vidange où elle s'évapore.

Le compartiment du surgélateur ne réalise pas de dégivrage automatique pour empêcher la détérioration des denrées congelées.

Le compartiment congélateur se dégivre automatiquement.

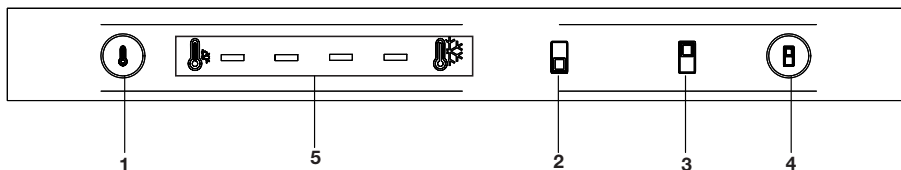
Vérifiez régulièrement le tuyau de vidange pour vous assurer qu'il n'est pas obstrué et débouchez-le en introduisant un bâton dans le trou si nécessaire.

## Utilisation de l'appareil

### 5.6. Bandeau indicateur

Les bandeaux indicateur peuvent varier en fonction du modèle de l'appareil.

Les fonctions sonores et visuelles sur le panneau indicateur vous aident dans l'utilisation de votre réfrigérateur.



- 1.** Bouton de modification de la valeur de réfrigération : Il est utilisé pour ajuster la valeur de réfrigération des compartiments du réfrigérateur et du congélateur. Si vous appuyez sur cette touche alors que le voyant du compartiment congélateur (2) est allumé, la réfrigération du compartiment congélateur changera. Si vous appuyez sur cette touche alors que le voyant du compartiment réfrigérateur (3) est allumé, la réfrigération du compartiment réfrigérateur changera.
- 2.** Indicateur du compartiment congélateur  
Lorsque cet indicateur est allumé, la valeur de réfrigération actuelle du congélateur s'affiche sur l'indicateur de valeur de température (5). Vous pouvez appuyer sur la touche de modification de la valeur de réfrigération (1) pour modifier la valeur de réfrigération du compartiment congélateur.
- 3.** Indicateur du compartiment réfrigérateur :  
Lorsque cet indicateur est allumé, la valeur de réfrigération actuelle du réfrigérateur s'affiche sur l'indicateur de valeur de température (5). Vous pouvez appuyer sur la touche de modification de la valeur de réfrigération (1) pour modifier la valeur de réfrigération du compartiment réfrigérateur.
- 4.** Bouton de sélection de compartiments : Il est utilisé pour sélectionner les compartiments réfrigérateur et congélateur.
- 5.** Indicateur de réfrigération : Affiche la valeur de réfrigération du compartiment sélectionné. Valeur de réfrigération augmentée de gauche à droite.



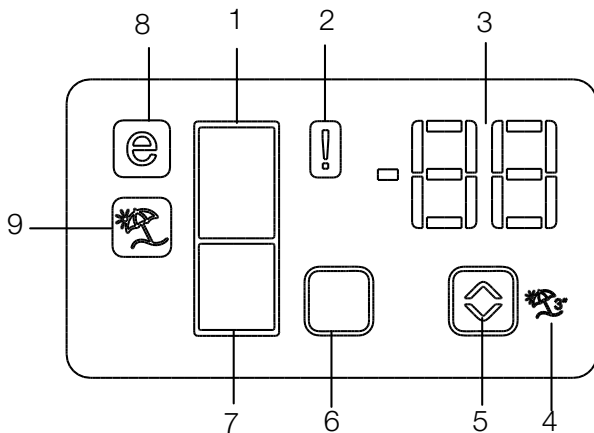
**\*en option :** Les chiffres présentés dans ce guide sont à titre indicatif et peuvent ne pas correspondre à votre appareil. Si votre appareil ne dispose pas des parties citées, alors l'information s'applique à d'autres modèles.

## Utilisation de l'appareil

### 5.7. Bandeau indicateur

Les bandeaux indicateur peuvent varier en fonction du modèle de l'appareil.

Les fonctions sonores et visuelles sur le panneau indicateur vous aident dans l'utilisation de votre réfrigérateur.



1. Indicateur du compartiment réfrigérateur
2. Indicateur d'état de dysfonctionnement
3. Indicateur de température
4. Bouton de la fonction Vacances
5. Bouton de réglage de la température
6. Bouton de sélection du compartiment
7. Indicateur du compartiment congélateur
8. Indicateur mode Économie
9. Indicateur de Fonction Vacances

**\*en option**



**\*en option :** Les chiffres présentés dans ce guide sont à titre indicatif et peuvent ne pas correspondre à votre appareil. Si votre appareil ne dispose pas des parties citées, alors l'information s'applique à d'autres modèles.

## Utilisation de l'appareil

### 1. Indicateur du compartiment réfrigérateur

La lampe du compartiment réfrigérateur s'allume lorsque la température de ce compartiment est réglée.

### 2. Indicateur d'état de dysfonctionnement

Si la capacité de votre réfrigérateur à refroidir est insuffisante ou en cas de dysfonctionnement du capteur, cet indicateur est activé. Lorsque cet indicateur est activé, "E" s'affiche sur l'indicateur de température du compartiment congélateur, et les nombres tels que "1,2,3..." s'affichent sur l'indicateur de température du compartiment réfrigérateur. Ces numéros sur l'indicateur renseignent le personnel d'entretien sur le dysfonctionnement.

### 3. Indicateur de température

Indique la température du compartiment congélateur, réfrigérateur.

### 4. Bouton de la fonction Vacances

Appuyez sur le bouton Vacances pendant 3 secondes pour activer cette fonction.

Si la fonction Vacances est activée, "- -" s'affiche sur l'indicateur de température du compartiment réfrigérateur et aucun refroidissement actif n'est sélectionné sur le compartiment réfrigérateur. Il n'est pas adapté de conserver les denrées dans le compartiment réfrigérateur lorsque cette fonction est activée. D'autres compartiments continuent à se refroidir conformément à leur température réglée.

Pour annuler cette fonction, appuyez à nouveau sur le bouton **Vacances**.

### 5. Bouton de réglage de la température

Modifie la température du compartiment concerné entre - 24 °C, -18 °C et 8 °C.1 °C.

### 6. Bouton de sélection du compartiment

Bouton de sélection : Appuyez sur le bouton de sélection du compartiment pour basculer entre les compartiments réfrigérateur et congélateur.

### 7. Indicateur du compartiment congélateur

La lampe du compartiment congélateur s'allume lorsque la température du compartiment congélateur est réglée.

### 8. Indicateur mode Économie

Indique que le réfrigérateur fonctionne en mode d'économie d'énergie. Cet écran sera actif si la température du compartiment congélateur est réglée sur -18°C.

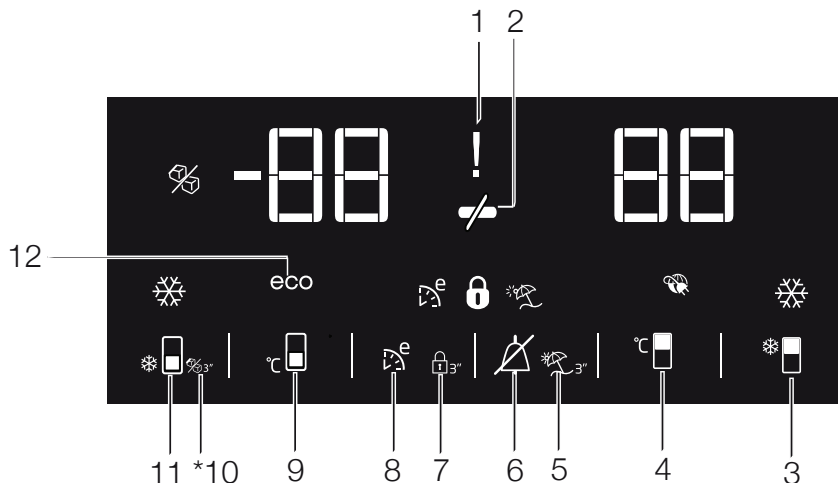
### 9. Indicateur de Fonction Vacances

Indique que la fonction Vacances est activée.

## Utilisation de l'appareil

### 5.8. Bandeau indicateur

Le panneau indicateur vous permet de régler la température et de contrôler les autres fonctions liées à votre appareil sans ouvrir la porte du réfrigérateur. Appuyez simplement sur les inscriptions des boutons appropriés pour effectuer le réglage des fonctions.



#### 1. Indicateur de Coupure de courant / Température élevée / d'avertissement d'erreur

Cet indicateur (⏏) s'allume en cas de coupure de courant, d'échecs de température élevée et de messages d'erreur. Pendant les coupures de courant prolongées, le niveau de température le plus élevé atteint par le compartiment congélateur clignote sur l'affichage numérique. Après avoir vérifié les aliments situés dans le compartiment congélateur (❄), appuyez sur le bouton de désactivation d'alarme pour supprimer le message d'erreur.

#### 2. Fonction Économie d'énergie (Arrêt de l'affichage) :

Si les portes du réfrigérateur restent fermées pendant longtemps, la fonction Économie d'énergie s'active automatiquement et le symbole d'économie d'énergie s'allume. (⏏)

Si la fonction Économie d'énergie est active, tous les symboles de l'écran hormis celui de l'Économie d'énergie s'éteignent. Lorsque la fonction Économie d'énergie est active, si vous appuyez sur un bouton quelconque ou ouvrez la porte, cette fonction se désactive et les symboles affichés redeviennent normaux.



**\*en option :** Les chiffres présentés dans ce guide sont à titre indicatif et peuvent ne pas correspondre à votre appareil. Si votre appareil ne dispose pas des parties citées, alors l'information s'applique à d'autres modèles.

## Utilisation de l'appareil

La fonction Économie d'énergie est activée à la sortie du réfrigérateur de l'usine et ne peut être annulée.

### 3. Fonction de réfrigération rapide

Ce bouton est doté de deux fonctions. Appuyez brièvement sur ce bouton pour activer ou désactiver la fonction de refroidissement rapide. L'indicateur de refroidissement rapide s'éteint et l'appareil retourne à son réglage normal. (🔌)



Utilisez la fonction de refroidissement rapide lorsque vous souhaitez refroidir rapidement les aliments placés dans le compartiment réfrigérateur. Si vous souhaitez refroidir de grandes quantités d'aliments frais, nous vous recommandons d'activer cette fonction au préalable.



Après 8 heures de temps où lorsque le compartiment réfrigérateur atteint la température souhaitée, la fonction de refroidissement rapide s'annule automatiquement si vous ne le faites pas.



Si vous appuyez sur le bouton de refroidissement rapide de façon répétée à des intervalles courts, alors le système de protection du circuit électronique s'activera et le compresseur ne démarrera pas automatiquement.



Cette fonction n'est pas reprise lorsque le courant est rétabli après une panne de courant.

### 4. Bouton de réglage de la température du compartiment réfrigérateur

Appuyez sur ce bouton pour régler la température du compartiment réfrigérateur à 8, 7, 6, 5, 4, 3, 2, 8 respectivement. Appuyez sur ce bouton pour définir la température souhaitée pour le compartiment du réfrigérateur. (🔌)

### 5. Fonction Vacances

Pour activer la fonction Vacances, il suffit d'appuyer sur ce bouton (🌴) pendant 3 secondes, et l'indicateur du mode Vacances (🌴) s'active. Si la fonction Vacances est activée, " - - " s'affiche sur l'indicateur de température du compartiment réfrigérateur et aucun refroidissement actif n'est sélectionné sur le compartiment réfrigérateur. Il n'est pas adapté de conserver les denrées dans le compartiment réfrigérateur lorsque cette fonction est activée. D'autres compartiments doivent continuer à se refroidir conformément à leur température réglée.

Pour désactiver cette fonction, appuyez à nouveau sur le bouton de la **fonction Vacances**.

### 6. Avertissement de désactivation d'alarme :

En cas d'alarme de coupure de courant / température élevée, après avoir vérifié les aliments stockés dans le compartiment congélateur, appuyez sur le bouton de désactivation d'alarme (🔌) pour supprimer le message d'avertissement.

### 7. Key lock (Verrouillage des commandes)


Appuyez simultanément sur le bouton Key lock (🔒) pendant 3 secondes. Symbole de verrouillage des commandes (🔒) s'allume et le mode Verrouillage des commandes est activé. Les boutons ne fonctionneront pas si le mode Verrouillage des commandes est actif. Appuyez simultanément sur le bouton Key lock pendant 3 secondes à nouveau. Le symbole de verrouillage des commandes s'éteint et le mode Verrouillage des commandes est désactivé.

Appuyez sur le bouton **key lock** si vous souhaitez éviter toute modification du réglage de température du réfrigérateur (🔒).




## Utilisation de l'appareil

### 8. Eco fuzzy


Appuyez et maintenez enfoncé le bouton Eco fuzzy pendant 1 seconde pour activer la fonction Eco fuzzy. Le réfrigérateur commence à fonctionner dans le mode le plus économique au moins 6 heures plus tard, et l'indicateur d'utilisation économique s'allume une fois que la fonction est active . Appuyez et maintenez enfoncé le bouton Eco fuzzy pendant 3 secondes pour désactiver la fonction Eco fuzzy.

Ce témoin s'allume après 6 heures lorsque le bouton Eco fuzzy est activé.

### 9. Bouton de réglage de la température du compartiment de congélation

Appuyez sur ce bouton pour régler la température du compartiment de congélation à -18,-19,-20,-21,-22,-23,-24, -18... respectivement. Appuyez sur ce bouton pour définir la valeur de température souhaitée pour le compartiment du congélateur. 


### 10. Indicateur du distributeur de glaçons désactivé

Indique si le distributeur de glaçons est activé ou non.  Si l'indicateur est activé, alors le distributeur de glaçons ne fonctionne pas. Pour activer le distributeur de glaçons à nouveau, maintenez le bouton Marche-Arrêt enfoncé pendant 3 secondes.



L'arrivée d'eau du réservoir à eau sera arrêtée en sélectionnant cette fonction. Toutefois, les glaçons déjà formés peut être retirés du distributeur.

### 11. Bouton de la fonction congélation rapide / Bouton Marche-Arrêt du distributeur de glaçons

Appuyez sur ce bouton pour activer ou désactiver la fonction de congélation rapide. Lorsque vous activez la fonction, le compartiment congélateur sera refroidi à une température inférieure à la valeur de consigne. 

Pour activer et désactiver le distributeur de glaçons, maintenez le bouton enfoncé pendant 3 secondes.



Utilisez la fonction de congélation rapide lorsque vous souhaitez congeler rapidement les aliments placés dans le compartiment réfrigérateur. Si vous souhaitez congeler de grandes quantités d'aliments, nous vous recommandons d'activer cette fonction au préalable.




Après 4 heures de temps ou lorsque le compartiment réfrigérateur atteint la température souhaitée, la fonction de congélation rapide s'annulera automatiquement si vous ne le faites pas.



Cette fonction n'est pas reprise lorsque le courant est rétabli après une panne de courant.

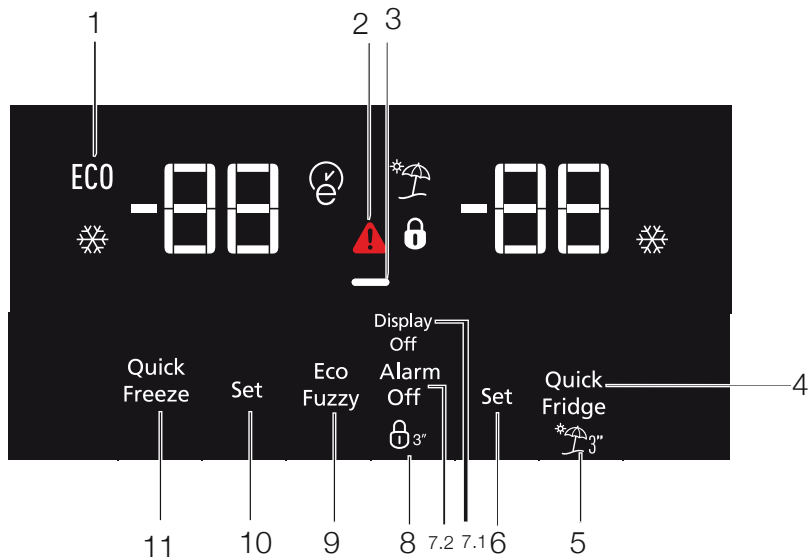
### 12. Voyant d'économie d'énergie

Indique que le réfrigérateur fonctionne en mode d'économie d'énergie.  Cet indicateur est activé si la température du compartiment congélateur est réglée sur -18 ou si le refroidissement à économie d'énergie est réalisé suite à l'activation de la fonction Eco Extra.



Le voyant d'économie d'énergie s'éteint lorsque la fonction de réfrigération rapide ou de congélation rapide est sélectionnée.

## Utilisation de l'appareil



### 1. Économie

Ce symbole s'allume lorsque le compartiment congélateur est réglé sur  $-18^{\circ}\text{C}$  comme la valeur de réglage la plus économique (ECO). Le voyant d'économie d'énergie s'éteint lorsque les fonctions de réfrigération rapide ou de congélation rapide sont sélectionnées.

### 2. Température élevée / voyant d'avertissement d'erreur

Ce voyant (⚠) s'allume en cas de défaut de température élevée et d'avertissements d'erreur.

### 3. Fonction Économie d'énergie (Arrêt de l'affichage)

Si les portes de l'appareil restent fermées pendant longtemps, la fonction Économie d'énergie s'active automatiquement et le symbole d'Économie d'énergie s'allume. Si la fonction Économie d'énergie est active, tous les symboles de l'écran hormis celui de l'Économie d'énergie s'éteindront. Lorsque la Fonction Économie d'énergie est active, si vous appuyez sur un bouton quelconque ou ouvrez la porte, cette fonction sera désactivée et les symboles qui se trouvent à l'écran redeviendront normaux.



**\*en option** : Les chiffres présentés dans ce guide sont à titre indicatif et peuvent ne pas correspondre à votre appareil. Si votre appareil ne dispose pas des parties citées, alors l'information s'applique à d'autres modèles.


## Utilisation de l'appareil

La fonction Économie d'énergie est activée à la sortie de l'appareil de l'usine et ne peut être annulée.


### 4. Congélation rapide

Appuyez sur le bouton no.(4) pour l'opération de congélation rapide. Le voyant de congélation rapide

() s'allume.

Le voyant de congélation rapide s'allume lorsque la fonction de congélation rapide est activée et le voyant de température du compartiment réfrigérateur affiche -27. Pour annuler cette fonction, appuyez à nouveau sur le bouton Congélation rapide (). L'indicateur de congélation rapide s'éteindra et le réfrigérateur retournera à son réglage normal. Après 24 heures, la fonction de congélation rapide s'annule automatiquement si vous ne l'avez pas fait avant. Si vous souhaitez congeler de grandes quantités de produits frais, appuyez sur le bouton Congélation rapide avant d'introduire ces produits dans le compartiment de congélation.

### 5. Fonction Vacances


Pour activer la fonction Vacances, appuyez sur le bouton no (4) () pendant 3 secondes.

Le voyant du mode Vacances s'allume.


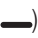

Si la fonction Vacances est activée, " - - " s'affiche sur l'indicateur de température du compartiment réfrigérateur et aucun refroidissement actif n'est sélectionné sur le compartiment réfrigérateur. Il n'est pas adapté de conserver les denrées dans le compartiment réfrigérateur lorsque cette fonction est activée. D'autres compartiments doivent continuer à se refroidir conformément à leur température réglée.

Annulez cette fonction en appuyant à nouveau sur le bouton **Fonction Vacances**.

### 6. Réglage de la température du compartiment réfrigérateur

Lorsque vous appuyez sur le bouton no (6), vous pourrez régler la température du compartiment réfrigérateur respectivement sur 8, 7, 6, 5, 4, 3, 2 et 1 ().

### 7.1 Fonction Économie d'énergie (Arrêt de l'affichage)

Le symbole d'économie d'énergie () s'allume et la fonction Économie d'énergie s'active lorsque vous appuyez sur ce bouton (). Si la fonction Économie d'énergie est active, tous les symboles de l'écran hormis celui de l'Économie d'énergie s'éteindront. Lorsque la Fonction Économie d'énergie est active, si vous appuyez sur un bouton quelconque ou ouvrez la porte, cette fonction sera désactivée et les symboles qui se trouvent à l'écran redeviendront normaux. Le symbole d'économie d'énergie s'éteint et la fonction Économie d'énergie est désactivée lorsque vous appuyez à nouveau sur ce bouton ().

### 7.2 Avertissement d'alarme désactivée

En cas de coupure d'électricité/d'alarme de température élevée, appuyez sur le bouton d'alarme désactivée pour annuler l'alarme, après avoir inspecté les aliments placés dans le compartiment congélateur.

## Utilisation de l'appareil

### 8. Verrouillage des commandes

Appuyez simultanément sur le bouton de verrouillage des commandes (🔒) pendant 3 secondes. Symbole de verrouillage des touches

(🔒) s'allume et le mode verrouillage des commandes est activé. Les boutons ne fonctionneront pas si le mode Verrouillage des commandes est actif. Appuyez simultanément sur le bouton Key lock pendant 3 secondes à nouveau. Lorsque l'icône de verrouillage des commandes s'éteint, le mode Verrouillage des commandes est désactivé.

Appuyez sur le bouton **Verrouillage des commandes** si vous souhaitez éviter toute modification du réglage de la température du réfrigérateur (🔒).

### 9. Eco fuzzy

Appuyez et maintenez enfoncé le bouton Eco fuzzy pendant 1 seconde pour activer la fonction Eco fuzzy. Le réfrigérateur commence à fonctionner dans le mode le plus économique au moins 6 heures plus tard et le voyant d'utilisation économique s'allume lorsque la fonction est activée. (🌿). Appuyez et maintenez enfoncé le bouton Eco fuzzy pendant 3 secondes pour désactiver la fonction Eco fuzzy.

Ce témoin s'allume après 6 heures lorsque le bouton Eco fuzzy est activé.

### 10. Réglage de température du compartiment congélateur

C'est ici que s'effectue le réglage de la température du compartiment congélateur. Appuyez sur le bouton no.10 pour régler la température du compartiment congélateur respectivement sur -18, -19, -20, -21, -22, -23 et -24.

### 11. Refroidissement rapide

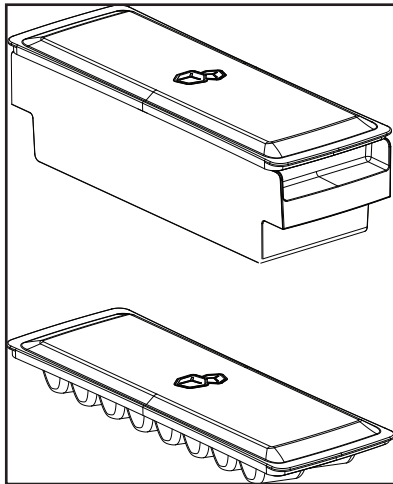
Le voyant de refroidissement rapide (❄️) s'allume lorsque la fonction de refroidissement rapide est activée et le voyant de température du compartiment réfrigérateur affiche 1. Pour annuler cette fonction, appuyez à nouveau sur le bouton Refroidissement rapide. L'indicateur de refroidissement rapide s'éteindra et le réfrigérateur retournera à son réglage normal. Après 1 heure, la fonction de refroidissement rapide s'annule automatiquement si vous ne l'avez pas fait avant. Si vous souhaitez introduire de grandes quantités de produits frais dans le réfrigérateur, appuyez sur le bouton Refroidissement rapide avant d'introduire ces produits dans le compartiment réfrigérateur.

## Utilisation de l'appareil

### 5.9. Seau à glace

#### (En option)

- Retirez le seau à glace du compartiment congélateur.
- Remplissez-le d'eau.
- Remplacez le seau à glace dans le compartiment congélateur.
- Les glaçons seront prêts après environ deux heures. Retirez le seau à glace du compartiment congélateur et tordez-le légèrement au-dessus du support dans lequel vous souhaitez servir les glaçons. Les glaçons se verseront donc facilement dans le support dans lequel vous souhaitez les servir.



### 5.10. Support d'œufs

Vous pouvez placer le support d'œufs sur la porte ou l'étagère de votre choix. Si vous décidez de le placer sur l'étagère, il est recommandé de le placer sur les étagères inférieures car elles sont plus froides.

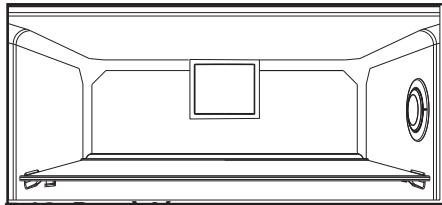


Évitez de placer le support d'œufs dans le compartiment congélateur.

### 5.11. Ventilateur

Le ventilateur a été conçu pour faire circuler de manière homogène l'air froid à l'intérieur de votre réfrigérateur. La durée de fonctionnement du ventilateur varie en fonction des propriétés de votre appareil.

Dans certains réfrigérateurs, le ventilateur fonctionne uniquement avec compresseur, dans d'autres systèmes de commande, il permet de déterminer la durée de fonctionnement basée sur le besoin de refroidissement.



### 5.12. Bac à légumes

#### (En option)

Le bac à légumes du réfrigérateur est conçu pour conserver les légumes frais en préservant l'humidité. Pour cela, la circulation de la totalité de l'air froid est intensifiée dans le bac à légumes.

### 5.13. Compartiment zéro degré

#### (En option)

Utilisez ce compartiment pour conserver de l'épicerie fine à des températures faibles, ou des produits carnés destinés à une consommation immédiate.

Le compartiment Zéro degré est l'endroit le plus froid où vous pouvez conserver les aliments tels que les produits laitiers, la viande, le poisson et la volaille dans des conditions idéales. Les légumes et/ou fruits ne doivent pas être conservés dans ce compartiment.

### 5.14. Éclairage bleu

#### (En option)

Les denrées conservées dans les bacs à légumes sont éclairées par une lumière bleue qui, grâce aux effets de sa longueur d'onde, permet aux fruits et légumes de continuer la photosynthèse et ainsi de conserver leur fraîcheur et leur teneur en vitamines.

## Utilisation de l'appareil

### 5.15.Utilisation du deuxième bac à légumes de l'appareil;



#### Schéma 1.

Comme illustré dans le schéma, 2 butées sont prévues dans le deuxième bac à légumes du modèle K70560.



#### Schéma 2.

Le deuxième bac à légumes se présente comme dans le schéma 2 lorsqu'il est fermé.



#### Schéma 3.

Lorsque la porte est ouverte à 90°, tirez le deuxième bac à légumes jusqu'à la première butée, comme illustré dans le schéma 3.

Si le tiroir présente un plus grand angle d'ouverture, avant toute chose, ouvrez la porte au minimum à 135 degrés. Ensuite, comme illustré dans le schéma 4, levez le deuxième bac à légumes d'environ 5 mm de sorte à le dégager de la première butée.



#### Schéma 4.

Après avoir levé le deuxième bac à légumes, tirez le deuxième tiroir jusqu'à la deuxième butée, comme illustré dans le schéma 5.



#### Schéma 5.

## Utilisation de l'appareil

### 5.16. Balconnet de porte amovible

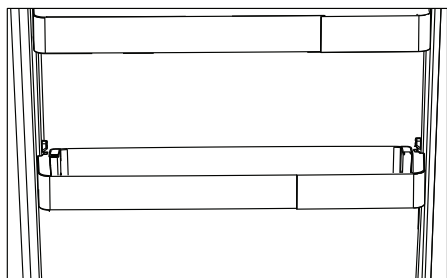
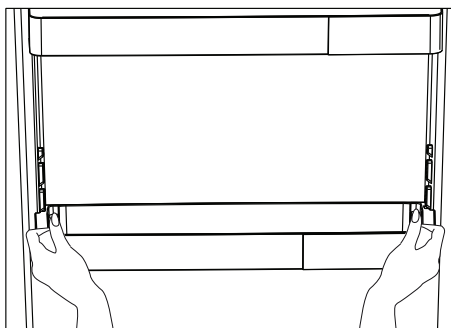
#### (En option)

Le balconnet de porte amovible peut être fixé de 3 manières différentes.

Pour déplacer le balconnet, appuyez uniformément sur les boutons situés sur le côté. Ainsi, le balconnet est amovible.

Déplacez le balconnet vers le haut ou vers le bas.

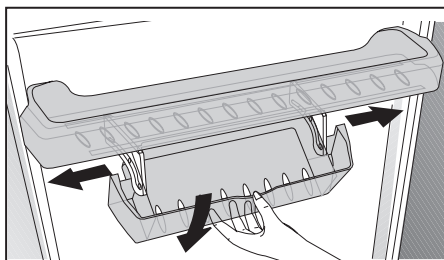
Une fois que ce dernier se trouve dans la position de votre choix, relâchez les boutons. Assurez-vous que le balconnet est fixé à nouveau à la position initiale.



### 5.17. Boîte de stockage coulissante (En option)

Cet accessoire a été conçu dans le but de renforcer les capacités des balconnets de porte.

Grâce à sa capacité à se déplacer latéralement, elle vous permet de disposer facilement de longues bouteilles, des bocaux ou des boîtes que vous placez dans le range-bouteilles inférieur.



## Utilisation de l'appareil

### 5.18. Bac à légumes à humidité contrôlée

#### (En option)

Grâce à la fonction de contrôle de l'humidité, la quantité d'humidité de légumes et de fruits est maintenue sous contrôle. Cette fonction assure également une période de fraîcheur prolongée pour les aliments.

Il est recommandé de ne pas conserver les légumes à feuilles vertes, tels que les feuilles de laitue, les épinards, ainsi que les légumes similaires générant une perte d'humidité, sur leurs racines, mais en position horizontale dans le bac à légumes, autant que possible.

Lorsque vous stockez les légumes, placez les légumes lourds et durs au fond du bac et les légumes légers et doux au-dessus, en tenant compte des poids spécifiques de légumes.

Ne placez pas les légumes dans le bac à légumes lorsqu'ils sont encore dans les sacs en plastique. Lorsque vous les laissez dans les sacs en plastique, ces légumes pourrissent en un laps de temps. En cas de mélange de légumes non recommandé, utilisez des matériaux d'emballage tels que le papier qui possède une certaine porosité en termes d'hygiène.

Évitez de placer des fruits qui ont une production de gaz à haute teneur en éthylène tels que la poire, l'abricot, la pêche et en particulier la pomme dans le même bac à légumes que d'autres légumes et fruits. Le gaz d'éthylène provenant de ces fruits pourrait accélérer la maturité d'autres légumes et fruits qui pourraient pourrir en un laps de temps.

### 5.19. Module de désodorisation

#### (FreshGuard) \*en option

Le module de désodorisation élimine rapidement les mauvaises odeurs dans votre réfrigérateur avant qu'elles ne pénètrent dans

les surfaces. Grâce à ce module placé sur le plafond du compartiment des aliments frais, les mauvaises odeurs se dissolvent pendant que l'air circule de manière active sur le filtre anti-odeurs, puis l'air qui a été nettoyé par le filtre est réintroduit dans le compartiment des aliments frais. De cette façon, les odeurs indésirables qui peuvent apparaître lors de la conservation des aliments dans le réfrigérateur sont éliminées avant qu'elles ne pénètrent dans les surfaces.

Cela grâce au ventilateur, à la LED et au filtre anti-odeurs intégré dans le module. Utilisé au quotidien, le module de désodorisation s'allume automatiquement sur une base périodique. Pour assurer un fonctionnement efficace, il est recommandé de faire changer le filtre placé dans le module de désodorisation par le prestataire de service agréé tous les 5 ans. Le bruit que vous entendez pendant le fonctionnement est normal et dû au ventilateur intégré dans le module. Si vous ouvrez la porte du compartiment d'aliments frais pendant que le module est actif, le ventilateur se met temporairement en pause et reprend là où il s'était arrêté quelques secondes après la fermeture de la porte. En cas de panne de courant, le module de désodorisation reprend là où il s'est arrêté une fois le courant rétabli.

Info : Il est recommandé de conserver les aliments aromatiques (tels que les fromages, les olives et les plats de charcuterie) dans leur emballage et scellés pour éviter les mauvaises odeurs qui peuvent se produire lorsque les odeurs de divers aliments se mélangent. En outre, il est recommandé de sortir rapidement les aliments avariés du réfrigérateur pour éviter que les autres aliments ne se détériorent et éviter les mauvaises odeurs.



## Utilisation de l'appareil

### 5.20.Machine à glace automatique

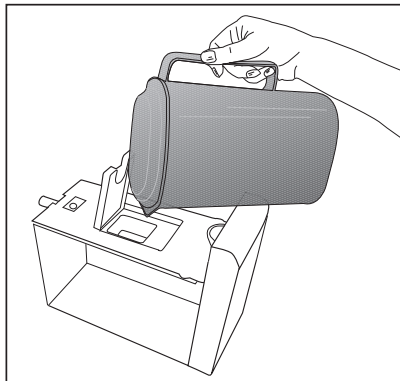
#### (En option)

La machine à glace automatique vous permet de faire facilement des glaçons dans votre réfrigérateur. Pour obtenir des glaçons à partir de la machine à glace, retirez le réservoir d'eau du compartiment réfrigérateur, remplissez-le d'eau et remplacez-le.

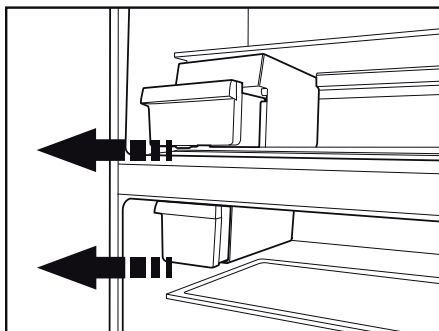
Les premiers glaçons seront prêts dans environ 2 heures dans le tiroir à glace situé dans le compartiment réfrigérateur.

Après avoir placé le réservoir rempli, vous pouvez obtenir environ 60 à 70 cubes de glace jusqu'à ce qu'il soit entièrement vide.

Si l'eau contenue dans le réservoir date de 2 à 3 semaines, veuillez la remplacer.



Dans les réfrigérateurs équipés de machine à glace automatique, vous pourriez entendre un son lorsque vous versez la glace. Ce phénomène est tout à fait normal et ne constitue nullement un signe de dysfonctionnement.



## Utilisation de l'appareil

### 5.21. Distributeur et récipient de conservation de glaçons (dans certains modèles)

#### Utilisation du distributeur

Remplissez le distributeur de glaçons avec de l'eau et remettez-le à sa place. Vos glaçons seront prêts dans environ deux heures. Ne pas retirer le distributeur de glaçons de son logement pour prendre de la glace.

Tournez les molettes des réservoirs à glaçons dans le sens des aiguilles d'une montre, de manière à former un angle de 90 degrés.

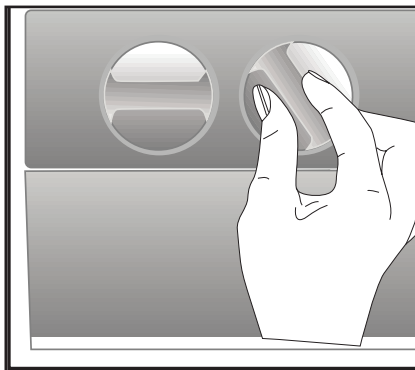
Les glaçons contenus dans les réservoirs tomberont dans le récipient de conservation de glaçons situé en dessous.

Vous pouvez alors sortir le récipient de conservation de glaçons et servir les glaçons.

Si vous le désirez, vous pouvez laisser les glaçons dans leur récipient de conservation.

#### Récipient de conservation de glaçons

Le récipient de conservation de glaçons sert simplement à accumuler les glaçons. Ne versez pas d'eau à l'intérieur. Cela peut le casser.

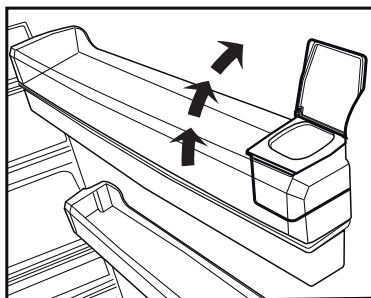
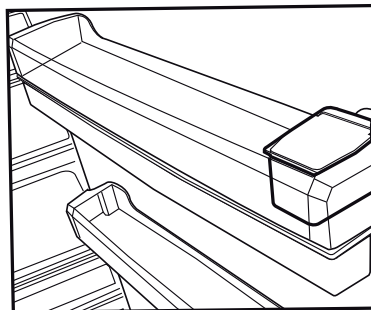
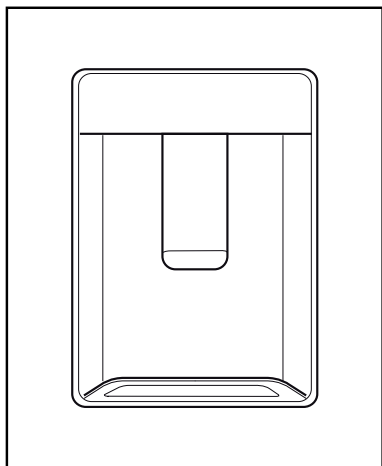


## Utilisation de l'appareil

### 5.22. Distributeur d'eau

#### \*en option

Cette fontaine est très important pour obtenir de l'eau fraîche sans avoir à ouvrir la porte de votre réfrigérateur. Comme vous n'aurez pas à ouvrir fréquemment la porte de votre réfrigérateur, cela vous permettra d'économiser de l'énergie.



### 5.23. Utilisation du distributeur

Appuyez sur le bouton de la fontaine avec votre verre. La fontaine cessera de fonctionner lorsque vous aurez relâché le bouton.

Pendant le fonctionnement de la fontaine, vous pouvez obtenir une quantité maximale en appuyant à fond sur le bouton. N'oubliez pas que la quantité de liquide obtenue est fonction du degré d'appui que vous exercez sur le bouton.

A mesure que le niveau d'eau de votre tasse / verre augmente, réduisez doucement la quantité de pression du bouton pour éviter tout risque de débordement. Si vous appuyez légèrement sur le bouton, l'eau s'écoulera ; ce phénomène est tout à fait normal et n'est pas un dysfonctionnement.

#### Remplir le réservoir d'eau de la fontaine frigorigère

Le réservoir d'approvisionnement en eau se trouve dans le balconnet de la porte. Vous pouvez ouvrir le couvercle du réservoir et remplir celui-ci d'eau potable. Refermez ensuite le couvercle.

#### Avertissement !

- Ne remplissez pas le réservoir avec un liquide autre que de l'eau des boissons gazeuses, alcooliques, jus de fruits ou autres ne sont pas adaptés pour être utilisés avec le distributeur d'eau. Si de tels liquides sont utilisés, le distributeur connaîtra un dysfonctionnement et peut être profondément endommagé. La garantie ne couvre pas de telles utilisations. Certaines substances chimiques et certains additifs contenus dans de telles boissons / breuvages peuvent également endommager le réservoir d'eau.

## Utilisation de l'appareil

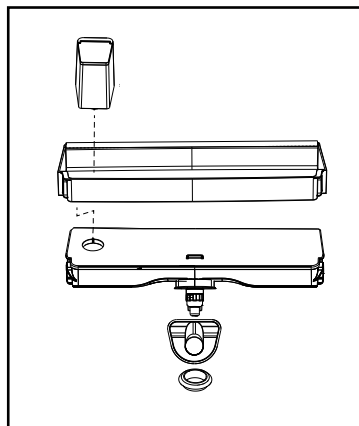
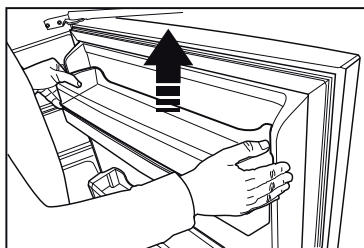
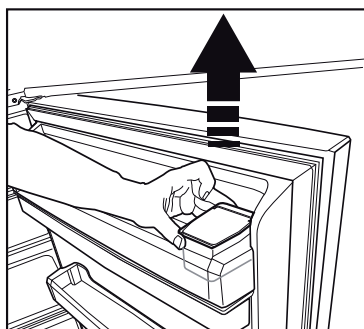
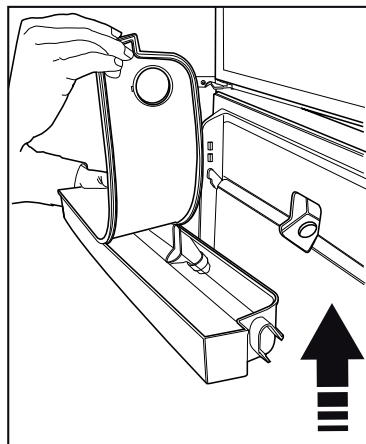
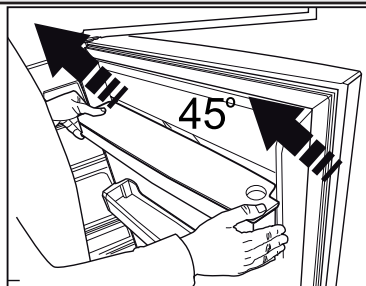
- Utilisez uniquement de l'eau potable propre.
- La capacité du réservoir est de 3 litres; ne dépassez pas la limite.
- Appuyez sur le bouton de la fontaine avec votre verre. Si vous utilisez une tasse jetable, poussez le bouton avec vos doigts à partir de l'arrière de la tasse.

### 5.24. Nettoyer le réservoir d'eau

- Retirez le réservoir d'approvisionnement en eau du balconnet de la porte.
- Retirez le balconnet de la porte en le tenant par les deux côtés.
- Tenez le réservoir par ses deux côtés et retirez-le selon un angle de 45 degrés.
- Retirez le couvercle afin de nettoyer le réservoir.

#### Important :

Le réservoir d'eau et les composants du distributeur d'eau ne peuvent pas être passés au lave-vaisselle.



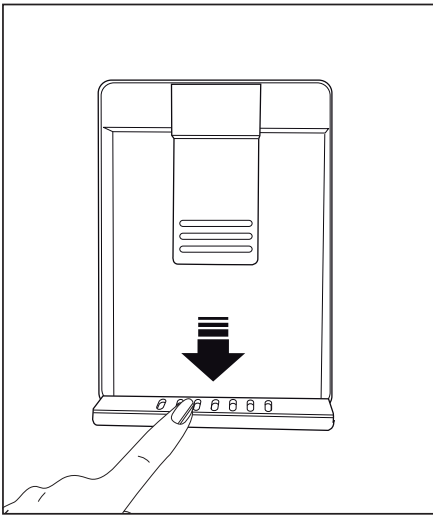
## Utilisation de l'appareil

### 5.25. Bac à eau

L'eau qui s'écoule lors de l'utilisation du distributeur d'eau s'accumule dans le bac de dégivrage.

Retirez la crépine en plastique comme sur le schéma.

Essuyez l'excédent d'eau à l'aide d'un chiffon propre et sec.



## Utilisation de l'appareil

### 5.26. Congélation des produits frais

- Pour conserver la qualité des aliments, les denrées placées dans le compartiment congélateur doivent être congelées le plus rapidement possible, à l'aide de la fonction de congélation rapide.
- Le fait de congeler les denrées à l'état frais prolongera la durée de conservation dans le compartiment congélateur.
- Emballez les aliments dans des emballages sous vide et scellez-les correctement.
- Assurez-vous que les aliments sont emballés avant de les placer dans le congélateur. Utilisez des récipients pour congélateur, du papier aluminium et du papier résistant à l'humidité, des sacs en plastique ou du matériel d'emballage similaire au lieu d'un papier d'emballage ordinaire.



La glace contenue dans le compartiment congélateur dégèle automatiquement.

- Marquez chaque emballage en y écrivant la date avant de le placer au congélateur. Ceci vous permettra de déterminer la fraîcheur de chaque paquet lors des ouvertures du congélateur. Mettez les aliments les plus anciens à l'avant pour vous assurer qu'ils sont utilisés en premier.
- Les aliments congelés doivent être utilisés immédiatement après le dégivrage et ne doivent pas être congelés à nouveau.
- Ne retirez pas de grandes quantités d'aliments au même moment.

### 5.27. Recommandations relatives à la conservation des aliments congelés

Le compartiment doit être réglé à  $-18^{\circ}\text{C}$  minimum.

1. Placez les aliments dans le congélateur le plus rapidement possible pour éviter leur dégivrage.
2. Avant de les faire dégivrer, vérifiez la « date d'expiration » sur l'emballage pour vous assurer de l'état des aliments.
3. Assurez-vous que l'emballage de l'aliment n'est pas endommagé.

Réglage de la température du compartiment congélateur	Réglage de la température du compartiment réfrigérateur	Détails
$-18^{\circ}\text{C}$	$4^{\circ}\text{C}$	Ceci est le paramètre par défaut recommandé.
$-20, -22$ ou $-24^{\circ}\text{C}$	$4^{\circ}\text{C}$	Ces réglages sont recommandés pour des températures ambiantes excédant $30^{\circ}\text{C}$ .
Congélation rapide	$4^{\circ}\text{C}$	Cet indicateur est utilisé lorsque vous souhaitez congeler vos aliments pendant une courte période. Une fois le processus terminé, l'appareil retourne à son réglage initial.
Inférieure ou égale à $-18^{\circ}\text{C}$	$2^{\circ}\text{C}$	Utilisez ces réglages si vous estimez que le compartiment réfrigérateur n'est pas assez frais à cause de la température ambiante ou de l'ouverture fréquente de la porte.

## Utilisation de l'appareil

### 5.28. Informations relatives au congélateur

Selon la norme CEI 62552, le congélateur doit être doté d'une capacité de congélation des aliments de 4,5 kg à une température inférieure ou égale à -18 °C en 24 heures pour chaque 100 litres du volume du compartiment congélateur.

Les aliments peuvent être préservés pour des périodes prolongées uniquement à des températures inférieures ou égales à -18 °C.

Vous pouvez garder les aliments frais pendant des mois (dans le congélateur à des températures inférieures ou égales à 18 °C). Les aliments à congeler ne doivent pas être en contact avec ceux déjà congelés pour éviter un dégivrage partiel.

Faites bouillir les légumes et filtrer l'eau pour prolonger la durée de conservation à l'état congelé. Placez les aliments dans des conditionnements hermétiques après filtrage et placez-les dans le congélateur. Les bananes, les tomates, les feuilles de laitue, le céleri, les oeufs durs, les pommes de terre et les aliments similaires ne doivent pas être congelés. Lorsque les aliments pourrissent, seules les valeurs nutritionnelles et les qualités alimentaires sont négativement affectées. Il ne s'agit pas d'un aliment détérioré susceptible de constituer un danger pour la santé humaine.

### 5.29. Disposition des denrées

Étagères du compartiment congélateur	Vous pouvez congeler différents aliments comme de la viande, du poisson, des crèmes glacées, des légumes, etc.
Étagères du compartiment réfrigérateur	Les aliments contenus dans des casseroles, des plats couverts, des gamelles et les œufs (dans des gamelles)

Balconnets de la porte du compartiment réfrigérateur	Aliments emballés et de petite taille ou des boissons
Bac à légumes	Fruits et légumes
Compartiment des aliments frais	Épicerie fine (aliments pour petit déjeuner, produits carnés à consommer à court terme)

### 5.30. Alerte ouverture de porte (En option)

Un signal sonore est émis si la porte de l'appareil reste ouverte pendant au moins 1 minute. Le signal sonore s'arrête à la fermeture de la porte ou lorsqu'on appuie sur bouton de l'écran (si disponible).

Ce signal destiné à l'utilisateur est à la fois audible et visuel. Le voyant intérieur s'allume si le signal d'avertissement est émis pendant 10 minutes.

### 5.31. Inversion de la direction d'ouverture de la porte

Vous pouvez inverser le sens d'ouverture de votre réfrigérateur, en fonction de son emplacement. Lorsque vous souhaitez effectuer cette opération, contactez le service agréé le plus proche.

L'explication ci-dessus est une déclaration générale. Veuillez vérifier l'étiquette d'avertissement située à l'intérieur de l'emballage de votre appareil, au sujet de l'inversion de la direction de la porte.

### 5.32. Éclairage interne

L'éclairage interne utilise une lampe de type DEL. Contactez le service agréé pour tout problème lié à cette lampe.

N'utilisez pas l'ampoule de cet appareil pour l'éclairage des maisons. Cette ampoule a été conçue pour permettre à l'utilisateur de placer les aliments dans le réfrigérateur / congélateur en toute sécurité et confortablement.

## 6 Entretien et nettoyage

Nettoyez régulièrement l'appareil afin de prolonger sa durée de vie et réduire les problèmes fréquemment rencontrés.



**AVERTISSEMENT :** Éteignez l'appareil avant de le nettoyer.



**AVERTISSEMENT :** Il est recommandé de nettoyer le condenseur tous les six mois avec des gants. Vous ne devez pas utiliser d'aspirateur.

- N'utilisez jamais d'essence, de benzène ou de matériaux similaires pour le nettoyage.
- N'utilisez jamais d'ustensiles abrasifs tranchants, de savon, de produit de nettoyage domestique, de détergent et de cirage pour effectuer le nettoyage.
- Dissolvez une cuillerée à café de carbonate dans un demi-litre d'eau. Trempez un chiffon dans cette solution et essorez-le complètement. Nettoyez soigneusement l'intérieur du réfrigérateur avec ce chiffon et séchez ensuite à l'aide d'un chiffon sec.
- Ne laissez pas de l'eau pénétrer dans le logement de lampe ou dans toute autre pièce électrique.
- Si vous n'utilisez pas le réfrigérateur pendant une période prolongée, débranchez-le, retirez-y tous les aliments, nettoyez-le et laissez la porte entrouverte.
- Vérifiez régulièrement que les joints des portes sont propres. Si tel n'est pas le cas, nettoyez-les.
- Retirez tous les aliments de l'appareil avant de retirer la porte et les étagères.
- Retirez les balconnets en les tirant vers le haut. Faites glisser les balconnets vers le bas pour les réinstaller après le nettoyage.
- N'utilisez jamais de produits de nettoyage chlorés ou d'eau pour nettoyer les surfaces extérieures ou les parties du produit recouvertes de chrome. Le chlore entraîne l'abrasion de ces surfaces métalliques.
- Pour des appareils qui ne sont pas de la marque No Frost, des gouttes d'eau et une couche de givre pouvant atteindre la largeur d'un doigt se forment sur la paroi arrière du compartiment réfrigérateur. Ne les nettoyez pas et évitez d'y utiliser de l'huile ou des produits similaires.
- Utilisez uniquement des tissus en microfibras légèrement mouillés pour nettoyer la surface externe de l'appareil. Les éponges et autres tissus de nettoyage sont susceptibles de rayer la surface.

### 6.1. Prévention des mauvaises odeurs

Les matériaux susceptibles d'être à l'origine d'une odeur ne sont pas utilisés dans la fabrication de nos réfrigérateurs. Toutefois, des odeurs peuvent se dégager si les aliments sont mal rangés ou si la surface interne de l'appareil n'est pas nettoyée comme il se doit. Veuillez tenir compte des points suivants pour éviter ce problème :

- Il est important de garder le réfrigérateur propre. Les résidus d'aliments, les taches, etc. peuvent être à l'origine des odeurs. Pour cette raison, nettoyez votre réfrigérateur avec du carbonate dissout dans de l'eau tous les 15 jours. N'utilisez jamais de détergent ou de savon.
- Conservez vos aliments dans des récipients fermés. Les micro-organismes émis par les récipients sans couvercle peuvent provoquer des odeurs désagréables.
- Ne gardez jamais les aliments périmés ou abîmés dans votre réfrigérateur.



## 6.2. Protection des surfaces en plastique.

Ne placez pas d'huiles ou de plats huileux dans le réfrigérateur dans des récipients non fermés, car les graisses peuvent endommager les surfaces en plastique du réfrigérateur. Si de l'huile est répandue ou étalée sur les surfaces en plastique, nettoyez et rincez immédiatement la partie concernée de la surface à l'eau tiède.

## 6.3. Nettoyage de la surface intérieure

Pour nettoyer les surfaces intérieures et toutes les parties amovibles, lavez-les avec une solution douce contenant du savon, de l'eau et du carbonate. Rincez et séchez complètement. Empêchez l'eau de toucher les dispositifs d'éclairage et le panneau de commande.



### ATTENTION :

N'utilisez pas de vinaigre, d'alcool à friction ou d'autres produits de nettoyage à base d'alcool sur les surfaces intérieures.

## 6.4. Surfaces extérieures en acier inoxydable

Utilisez un produit de nettoyage en acier inoxydable non abrasif et appliquez-le avec un chiffon doux et non pelucheux. Pour le polissage, essuyez avec douceur la surface avec un chiffon humide en microfibres et utilisez du cuir sec. Suivez toujours les fils d'acier inoxydable.

## 6.5. Nettoyage d'appareils avec portes en verre

Enlevez le film protecteur qui recouvre la vitre. Il y a un revêtement sur la surface de la vitre. Ce revêtement minimise la formation de taches et garantit un nettoyage facile des taches et des salissures. Les vitres non protégées par un tel revêtement peuvent être exposées à un colmatage persistant de polluants transportés par l'eau ou par l'air et d'origine organique ou inorganique comme le calcaire, les sels minéraux, les hydrocarbures non brûlés, les oxydes métalliques et les silicones qui peuvent facilement et rapidement former des taches ou entraîner ainsi des dégâts matériels. Malgré un lavage régulier, la vitre devient très difficile à nettoyer, mais reste nettoyable. En conséquence, la clarté et la bonne apparence du verre en pâtit. Les composés et méthodes de nettoyage durs et abrasifs augmentent encore ces défauts et accélèrent le processus de détérioration.

\*Les produits de nettoyage non alcalins, non abrasifs et à base d'eau doivent être utilisés pour les procédures de nettoyage usuelles.

Pour que le revêtement ait une longue durée de vie, les substances alcalines ou abrasives ne doivent pas être utilisées lors des opérations de nettoyage.

Ces vitres ont été soumises à un processus de trempe pour augmenter leur résistance aux chocs et à la rupture.

Comme mesure de sécurité supplémentaire, les surfaces arrière des verres sont recouvertes d'un film de sécurité pour s'assurer qu'ils ne nuisent pas à l'environnement en cas de rupture.

Vérifiez la liste suivante avant de contacter le service après-vente. Cela vous permet de gagner du temps et de l'argent. Cette liste contient les problèmes fréquemment rencontrés qui ne sont pas le résultat d'un défaut de fabrication ou d'une mauvaise utilisation des matériaux. Il se peut que votre appareil ne présente pas certaines des caractéristiques décrites ici.

#### **Le réfrigérateur ne fonctionne pas.**

- Il peut ne pas être branché comme il se doit. >>>Branchez l'appareil correctement.
- Le fusible de la prise à laquelle votre réfrigérateur est branché ou le fusible principal a peut-être sauté. >>>Vérifiez le fusible.

#### **Condensation sur la paroi intérieure du compartiment réfrigérateur. (MULTI ZONE, COOL CONTROL et FLEXI ZONE).**

- La porte peut avoir été ouverte/fermée fréquemment. Évitez d'ouvrir/de fermer la porte du réfrigérateur fréquemment.
- L'environnement peut être trop humide. >>>N'installez pas le réfrigérateur à des endroits très humides.
- Les aliments contenant du liquide peuvent avoir été placés au réfrigérateur dans des récipients sans couvercle. >>>Assurez-vous que des aliments contenant du liquide rangés dans des récipients non fermés ne soient pas placés pas dans le réfrigérateur.
- La porte du réfrigérateur peut avoir été laissée entrouverte. >>>Ne gardez pas longtemps les portes de votre réfrigérateur ouvertes.
- Le thermostat peut avoir été réglé à un niveau très froid. >>>Réglez le thermostat à un niveau approprié.

#### **Le compresseur ne fonctionne pas.**

- Le dispositif de protection thermique du compresseur sautera en cas de coupures soudaines du courant ou de débranchement intempestif, en effet la pression du liquide réfrigérant du système de refroidissement ne sera pas équilibrée. Le réfrigérateur recommence à fonctionner normalement après 6 minutes environ. Si le réfrigérateur ne démarre pas à la fin de cette période, veuillez appeler le prestataire de services agréé.
- Le congélateur est en mode dégivrage. >>>Ceci est normal pour un réfrigérateur qui effectue le dégivrage entièrement automatique. Le cycle de dégivrage est effectué périodiquement.
- Le réfrigérateur ne doit pas être branché. >>>Assurez-vous que la fiche est bien insérée dans la prise.
- Les réglages de température peuvent être incorrects. >>>Sélectionnez la valeur de température correcte.
- Panne de courant possible. >>>Le réfrigérateur commence à fonctionner normalement une fois que l'alimentation est rétablie.

#### **Le niveau sonore augmente lorsque le réfrigérateur est en marche.**

- Les performances de fonctionnement du réfrigérateur peuvent varier en fonction des variations de température ambiante. Cela est normal et n'est pas un défaut.

#### **Le réfrigérateur fonctionne fréquemment ou pendant de longues périodes.**

# Dépannage

- Votre nouveau réfrigérateur est peut-être plus grand que l'ancien. Les grands réfrigérateurs durent plus longtemps.
- La température de la pièce est probablement élevée. >>>Il est normal que l'appareil fonctionne plus longtemps dans des environnements chauds.
- Il se peut que le réfrigérateur ait été branché ou chargé d'aliments. >>>Il faut plus de temps à l'appareil pour atteindre la température réglée lorsqu'il vient d'être branché ou chargé. Ce phénomène est normal.
- De grandes quantités d'aliments chauds ont peut-être été mises au réfrigérateur récemment. >>>Ne placez pas les aliments chauds dans le réfrigérateur.
- Les portes peuvent avoir été ouvertes fréquemment ou laissées entrouvertes depuis longtemps. >>>L'air chaud qui pénètre dans le réfrigérateur le fait fonctionner plus longtemps. N'ouvrez pas les portes fréquemment.
- Les portes des compartiments congélateur et réfrigérateur ont été laissées entrouvertes. >>>Assurez-vous que les portes sont bien fermées.
- L'appareil peut être réglé à une température très basse. >>> Réglez la température du réfrigérateur à un degré plus chaud et patientez que l'appareil atteigne ce niveau de température.
- Le joint de porte du réfrigérateur ou du compartiment congélateur peut être sale, usé, brisé ou mal fixé. >>> Nettoyez ou remplacez le joint. Tout joint endommagé/brisé fait fonctionner le réfrigérateur pendant une période de temps plus longue afin de conserver la température actuelle.

## **La température du réfrigérateur est adéquate, mais la température du congélateur est très basse.**

- La température du compartiment congélateur peut être réglée à une valeur très basse.>>> Réglez la température du compartiment congélateur à une valeur supérieure et vérifiez.

## **La température du congélateur est adéquate, mais la température du réfrigérateur est très basse.**

- Le réfrigérateur est réglé à une température très basse. >>> Réglez la température du réfrigérateur à un degré supérieur et vérifiez.

## **Les denrées conservées dans les tiroirs du compartiment de réfrigération sont congelées.**

- La température du compartiment réfrigérateur peut être réglée à une valeur très élevée.>>> Réglez la température du compartiment réfrigérateur à une valeur inférieure et vérifiez.

## **La température dans le réfrigérateur ou le congélateur est très élevée.**

- La température du compartiment réfrigérateur peut être réglée à une température très élevée. >>>Le réglage du compartiment réfrigérant a un effet sur la température du congélateur. Modifiez la température du réfrigérateur ou du compartiment congélateur jusqu'à ce que la température du réfrigérateur ou du compartiment congélateur atteigne un niveau adéquat.
- Les portes peuvent avoir été ouvertes fréquemment ou laissées entrouvertes depuis longtemps. >>>N'ouvrez pas les portes fréquemment.
- La porte a peut-être été laissée entrouverte. >>>Fermez complètement la porte.
- Le réfrigérateur était peut-être tout simplement branché ou chargé d'aliment. >>>Ce phénomène est normal. Il faut plus de temps à l'appareil pour atteindre la température réglée lorsqu'il vient d'être branché ou chargé.
- De grandes quantités d'aliments chauds ont peut-être été mises au réfrigérateur récemment. >>>Ne placez pas les aliments chauds dans le réfrigérateur.

## **Vibrations ou bruits.**

# Dépannage

- Le plancher peut ne pas être stable ou de niveau. >>>Si le réfrigérateur vibre légèrement, ajustez l'alimentation pour l'équilibrer. Assurez-vous que le sol est de niveau et capable de supporter le poids du réfrigérateur.
- Les objets placés sur le réfrigérateur peuvent causer du bruit. >>>Retirez tout objet placé sur le réfrigérateur.

## **Le réfrigérateur produit des bruits semblables à de l'eau qui coule ou à la pulvérisation d'un liquide.**

- Les écoulements de liquide et de gaz surviennent conformément aux principes de fonctionnement du réfrigérateur. >>>Ce phénomène est normal et n'est pas considéré comme un défaut.

## **Le réfrigérateur émet un sifflement.**

- Votre appareil est doté de ventilateurs qui servent à le refroidir. Cela est normal et n'est pas un défaut.

## **L'humidité s'accumule sur les parois intérieures du réfrigérateur.**

- Un temps chaud et humide augmente la formation de givre et de condensation. Cela est normal et n'est pas un défaut.
- Les portes peuvent avoir été ouvertes fréquemment ou laissées entrouvertes depuis longtemps. >>>N'ouvrez pas les portes fréquemment. Fermez les portes, si elles sont ouvertes.
- La porte a peut-être été laissée entrouverte. >>>Fermez complètement la porte.

## **L'humidité est présente sur la surface extérieure du réfrigérateur ou entre les portes.**

- L'air peut être humide. C'est tout à fait normal par temps humide. >>>La condensation disparaît une fois que le taux d'humidité diminue.
- L'espace présent entre deux portes du réfrigérateur peut présenter de l'humidité si vous utilisez rarement votre appareil. Ce phénomène est normal. Cette humidité disparaît en cas d'utilisation fréquente du réfrigérateur.

## **L'intérieur du réfrigérateur dégage une mauvaise odeur.**

- L'appareil n'a peut-être pas été nettoyé régulièrement. Nettoyez l'intérieur du réfrigérateur avec une éponge, de l'eau tiède ou de l'eau gazeuse.
- Certains récipients ou matériaux d'emballage peuvent provoquer des odeurs. >>>Utilisez un autre récipient ou du matériel d'emballage d'une autre marque.
- Les aliments peuvent avoir été mis au réfrigérateur dans des récipients sans couvercle. >>>Conservez les aliments dans des récipients fermés. Les micro-organismes émis par les récipients sans couvercle peuvent provoquer des odeurs désagréables.
- Sortez les aliments périmés ou abîmés du réfrigérateur.

## **Il est impossible de fermer la porte.**

- Des récipients peuvent empêcher la porte de se fermer. >>> Repérez les emballages qui obstruent la porte.
- Le réfrigérateur peut être instable sur le sol. >>>Ajustez les pieds du réfrigérateur au besoin pour le garder en équilibre.
- Le plancher peut ne pas être de niveau ou solide. >>>Assurez-vous que le plancher est de niveau et qu'il peut supporter le poids du réfrigérateur.

## **Les bacs à légumes sont coincés.**

- Les aliments peuvent toucher la paroi supérieure du bac à légumes. >>>Réorganisez les aliments dans le bac à légumes.

## **Si la surface de l'appareil est chaude**

Vous pouvez observer une élévation de la température entre les deux portes, sur les panneaux latéraux et au niveau de la grille arrière pendant le fonctionnement de l'appareil. Ce phénomène est normal et ne nécessite aucune opération d'entretien !

## **Le ventilateur continue de fonctionner lorsque la porte est ouverte.**

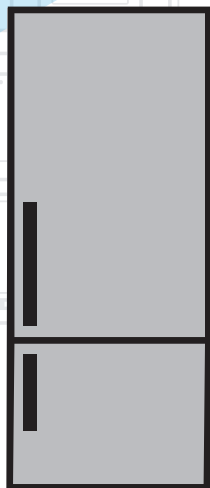
Le ventilateur peut continuer de fonctionner lorsque la porte du congélateur est ouverte.



**AVERTISSEMENT :** Si vous ne parvenez pas à résoudre le problème même après avoir suivi les instructions données dans cette section, contactez votre revendeur ou le prestataire de services agréé. N'essayez jamais de réparer un appareil défectueux.

# Refrigerador

Manual del usuario



ES |

**beko**

## Lea este manual de usuario antes de utilizar el aparato.

Estimado cliente:

Esperamos que este aparato, que ha sido fabricado en plantas dotadas de la más avanzada tecnología y sometido a los más estrictos procedimientos de control de calidad, le preste un servicio eficaz.

Por lo tanto, lea detenidamente este manual de instrucciones antes de utilizar el aparato y guardar el manual como referencia. Si entrega el aparato a otro propietario, no olvide incluir el manual de usuario.

### El manual del usuario le ayudará a usar el aparato de manera rápida y segura.

- Lea el manual antes de instalar y poner en funcionamiento el aparato.
- Asegúrese de haber leído las instrucciones de seguridad.
- Conserve el manual en un sitio de fácil acceso, ya que podría necesitarlo en el futuro.
- Lea los otros documentos incluidos con el producto.

Recuerde que este manual de usuario también es aplicable a otros modelos. Las diferencias entre los modelos se identificarán en el manual.

### Explicación de los símbolos

#### En este manual se utilizan los siguientes símbolos:

	Información importante o consejos de utilidad.
	Existe un riesgo de lesiones y de daños a la propiedad.
	Existe riesgo de descargas eléctricas.
	El embalaje del aparato se fabrica con materiales reciclables, de acuerdo con nuestro Reglamento Nacional sobre Medio Ambiente.

# Contenidos

## 1. Instrucciones de seguridad y medio ambiente 3

- 1.1. Seguridad general ..... 3
- 1.1.2 Para los modelos con dispensador de agua ..... 5
- 1.2. Uso previsto ..... 5
- 1.3. Seguridad para niños ..... 6
- 1.4. En cumplimiento de la Directiva RAEE, y la eliminación del aparato ..... 6
- 1.5. En cumplimiento de la Directiva RoHS6
- 1.6. Información sobre el paquete ..... 6

## 2 Familiarizarse con el electrodoméstico 7

### 3 Instalación 8

- 3.1. Lugar adecuado para la instalación. .8
- 3.2. Instalación de las cuñas de plástico .8
- 3.3. Ajuste de los pies ..... 9
- 3.4. Conexión eléctrica ..... 9
- 3.5. Inversión de las puertas ..... 10
- 3.6. Inversión de las puertas ..... 11

### 4 Preparación 12

- 4.1. Consejos para el ahorro de energía 12
- 4.2. Uso inicial ..... 12

### 5 Manejo del aparato 14

- 5.1. Botón de ajuste de la temperatura .14
- 5.2. Congelación rápida ..... 14
- 5.3. Función de vacaciones ..... 15
- 5.4. Botón de ajuste del termostato ... 16
- 5.5. Botón de ajuste del termostato ... 16
- 5.6. Deshielo ..... 17
- 5.7. Panel indicador ..... 18
- 5.8. Panel indicador ..... 19
- 5.9. Panel indicador ..... 21
- 5.10. Panel indicador ..... 24
- 5.11. Mover el estante de la puerta ..... 27
- 5.12. Contenedor de almacenamiento deslizable ..... 27
- 5.13. Módulo desodorante ..... 28

- 5.14. Cubitera ..... 29
- 5.15. Luz azul ..... 29
- 5.16. HerbBox/HerbFresh (Cajón para hierbas/Hierbas frescas) ..... 29
- 5.17. Huevera ..... 29
- 5.18. Uso del segundo cajón de frutas y verduras; ..... 30
- 5.19. Ventilador ..... 31
- 5.20. Cajón de frutas y verduras ..... 31
- 5.21. Compartimento de enfriamiento ... 31
- 5.22. Icematic automático ..... 32
- 5.23. Compartimento para verduras con control de humedad ..... 32
- 5.24. Icematic y caja de almacenamiento de hielo ..... 33
- 5.25. Uso del dispensador de agua ..... 33
- 5.26. Uso del dispensador de agua ..... 34
- 5.27. Llenar el depósito del dispensador de agua ..... 35
- 5.28. Limpieza del depósito de agua ... 35
- 5.29. Bandeja de goteo ..... 36
- 5.30. Congelación de alimentos frescos. 37
- 5.31. Recomendaciones para la conservación de alimentos congelados ..... 38
- 5.32. Información sobre la congelación. . 38
- 5.33. Colocar los alimentos ..... 38
- 5.34. Aviso de puerta abierta ..... 39
- 5.35. Cambio de la dirección de apertura de la puerta ..... 39
- 5.36. Lámpara de iluminación ..... 39

## 6 Mantenimiento y limpieza 40

- 6.1. Cómo evitar malos olores ..... 40
- 6.2. Protección de las superficies de plástico ..... 40
- 6.3. Vidrios de las puertas ..... 41

## 7 Resolución de problemas 42

# 1 Instrucciones de seguridad y medio ambiente

Esta sección proporciona las instrucciones de seguridad necesarias para evitar el riesgo de lesión y daños materiales. El incumplimiento de estas instrucciones puede invalidar cualquier tipo de garantía del aparato.

## Finalidad prevista



### ADVERTENCIA:

Asegúrese de que cuando el dispositivo está en su custodia o durante su montaje en el alojamiento, los orificios de ventilación no están cerrados.



### ADVERTENCIA:

Con el fin de acelerar la operación de derretimiento del hielo, no utilice cualquier dispositivo o aparato mecánico que no es recomendado por el fabricante



### ADVERTENCIA:

No dañe el circuito de fluido refrigerante.



### ADVERTENCIA:

No utilice dispositivos eléctricos que no estén recomendados por el fabricante en los compartimentos del dispositivo para la conservación de alimentos.

Este dispositivo está diseñado para ser utilizado en el hogar o en las siguientes aplicaciones similares:

- Con el fin de ser utilizado en las cocinas para el personal de las tiendas, oficinas y otros lugares de trabajo;
- Con el fin de ser utilizado por los clientes en casas de campo y hoteles, moteles y otros lugares de alojamiento:
  - en entornos tales pensiones;
  - en lugares similares que no ofrecen servicios de restauración y no es al por menor.

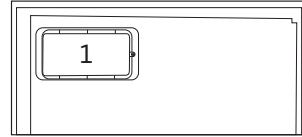
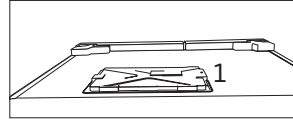
## 1.1. Seguridad general

- Este aparato no debe ser utilizado por personas con discapacidades físicas, sensoriales y mentales, sin el conocimiento y la experiencia suficiente o por los niños. El aparato solo puede ser utilizado por estas personas bajo la supervisión y la instrucción de una persona responsable de su seguridad. A los niños no se les debe permitir jugar con este dispositivo.



# Instrucciones para la seguridad y el medio ambiente

- En caso de mal funcionamiento, desconecte el dispositivo.
- Después de desconectar, espere por lo menos 5 minutos antes de conectar de nuevo. Desenchufe el aparato cuando no esté en uso. ¡No toque el enchufe con las manos mojadas! No tire del cable para enchufar para sacarlo de la toma de la pared, hágalo tomándolo de la cabeza del enchufe.
- No enchufe el refrigerador si la toma de corriente está floja.
- Desenchufe el aparato durante la instalación, el mantenimiento, limpieza y reparación.
- Si el aparato no se utiliza durante un tiempo, desenchufe el aparato y elimine cualquier alimento en el interior.
- No utilice vapor ni materiales de limpieza al vapor para la limpieza del refrigerador y el derretimiento del hielo en el interior. ¡El vapor podría contactar las zonas electrificadas y causar un cortocircuito o una descarga eléctrica!
- ¡No lave el aparato rociando ni vertiendo agua sobre él! ¡Riesgo de descarga eléctrica!
- Nunca utilice el producto si la sección situada en la parte superior o posterior del producto que tiene las placas de circuitos impresos electrónicos en el interior está abierta (cubierta de la placa del circuito electrónico impreso) (1).

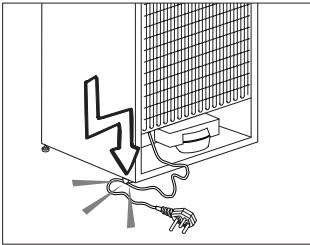


- En caso de mal funcionamiento, no utilice el aparato, ya que puede causar una descarga eléctrica. Póngase en contacto con el servicio técnico autorizado antes de hacer cualquier cosa.
- Conecte el aparato a una toma de tierra. La puesta a tierra debe ser realizada por un electricista calificado.
- Si el aparato tiene un LED de iluminación y requiere sustituirlo, póngase en contacto con el servicio técnico autorizado para sustituirlo o en caso de cualquier problema.
- ¡No toque la comida congelada con las manos mojadas! ¡Se podría adherir a sus manos!
- No coloque líquidos en botellas ni latas en el compartimento del congelador. ¡Podrían estallar!
- Coloque los líquidos en posición vertical después de cerrar bien la tapa.
- No rocíe sustancias inflamables cerca del aparato, ya que podría quemarse o explotar.
- No guarde materiales ni aparatos con gases inflamables (sprays, etc.) en el refrigerador.
- No ponga recipientes que contengan líquido encima del aparato. Salpicar agua en una parte electrificada podría provocar

# Instrucciones para la seguridad y el medio ambiente

descargas eléctricas y riesgos de incendio.

- La exposición del aparato a la lluvia, la nieve, la luz directa del sol y el viento causarán un peligro eléctrico. Cuando traslade el aparato, no tire sujetando la manija de la puerta. El mango se podría salir.
- Tenga cuidado de no atrapar ninguna parte de sus manos o de su cuerpo en cualquiera de las partes móviles en el interior del aparato.
- No se pare ni se apoye en las puertas, cajones y partes similares de la nevera. Esto causará que el aparato se caiga hacia y dañe sus partes.
- Tenga cuidado de no tropezar con el cable de alimentación.



## 1.1.1 Aviso HC

Si el aparato dispone de un sistema de refrigeración que utilizan gas R600a, tenga cuidado de no dañar el sistema de refrigeración y su tubería mientras se utiliza o mueva el aparato. Este gas es inflamable. Si el sistema de refrigeración está dañado, mantenga el

aparato alejado de fuentes de incendio y ventile la habitación inmediatamente.



La etiqueta en la parte interior izquierda indica el tipo de gas utilizado en el aparato.

## 1.1.2 Para los modelos con dispensador de agua

- La presión en la entrada de agua fría será a un máximo de 90 psi (620 kPa). Si la presión del agua es superior a 80 psi (550 kPa), utilice una válvula limitadora de presión en el sistema de red. Si usted no sabe cómo controlar la presión del agua, pida la ayuda de un plomero profesional. Si hay riesgo de golpe de ariete en la instalación, siempre utilice un equipo de prevención contra golpes de ariete en la instalación. Consulte a un fontanero profesional si no está seguro de que no hay un efecto del golpe de ariete en la instalación.
- No instale en la entrada de agua caliente. Tome precauciones contra el riesgo de congelación en las mangueras. El intervalo de funcionamiento de la temperatura del agua debe ser un mínimo de 33°F (0.6°C) y un máximo de 100°F (38°C).
- Solo use agua potable apta para beber.

## 1.2. Uso previsto

- Este aparato está diseñado para uso en el hogar. No es adecuado para un uso comercial.
- El aparato debe utilizarse para solamente para almacenar alimentos y bebidas.
- No guarde aparatos sensibles que requieran temperatura controlada (vacunas, medicamentos sensibles)

# Instrucciones para la seguridad y el medio ambiente

al calor, equipos médicos, etc.) en el refrigerador.

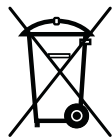
- El fabricante no asume ninguna responsabilidad por los daños debidos al mal uso o mal manejo.
- Se proporcionarán piezas de recambio originales durante 10 años, después de la fecha de compra del producto.

## 1.3. Seguridad para niños

- Guarde los materiales de embalaje fuera del alcance de los niños.
- A los niños no se les debe permitir jugar con el aparato.
- Si la puerta del aparato usa una cerradura, guarde la llave fuera del alcance de los niños.

## 1.4. En cumplimiento de la Directiva RAEE, y la eliminación del aparato

Este aparato cumple con la Directiva WEEE (RAEE) de la UE (2012/19/EU). Este aparato lleva el símbolo de clasificación de los equipos eléctricos y electrónicos (WEEE/RAEE).



Este aparato ha sido fabricado con piezas y materiales de alta calidad que pueden ser reutilizados y son aptos para el reciclaje.

No deseche el aparato de junto con los desechos domésticos normales al

final de su vida útil. Llévelo al centro de recolección para reciclaje de aparatos eléctricos y electrónicos. Consulte a las autoridades locales para obtener información acerca de estos centros de acopio.

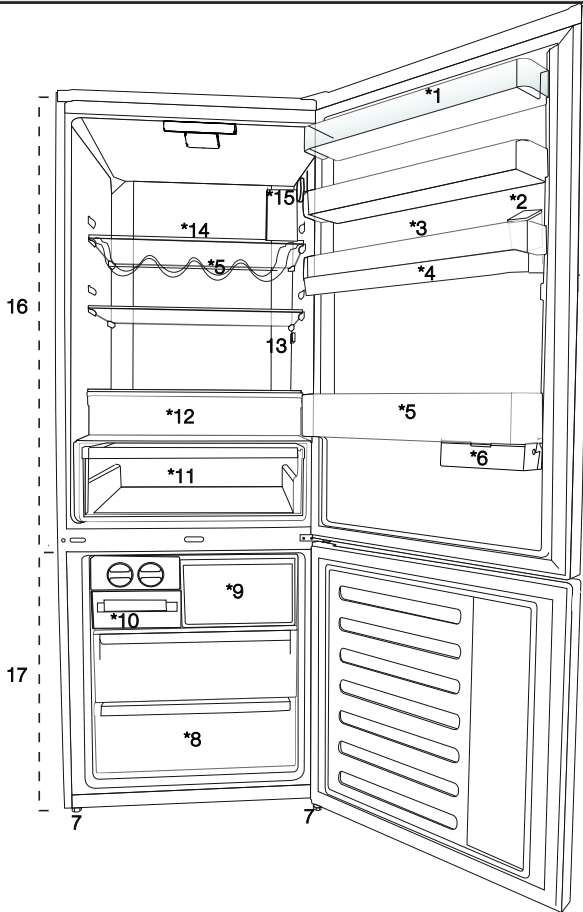
## 1.5. En cumplimiento de la Directiva RoHS

- El producto que ha adquirido es conforme con la directiva de la UE sobre la restricción de sustancias peligrosas (RoHS) (2011/65/UE). No contiene ninguno de los materiales nocivos o prohibidos especificados en la directiva.

## 1.6. Información sobre el paquete

- Los materiales de embalaje del aparato son fabricados a partir de materiales reciclables, de acuerdo con nuestra Reglamentación Nacional para el Medio Ambiente. No se deshaga de los materiales de embalaje junto con los desechos domésticos o de otro tipo. Llévelos a los puntos de recolección de material de embalaje designados por las autoridades locales.

## 2 Familiarizarse con el electrodoméstico



1. Estante de la puerta del compartimento refrigerador
2. Contenedor de llenado del dispensador de agua
3. Huevera
4. Depósito del dispensador de agua
5. Estante para botellas
6. Contenedor de almacenamiento deslizante
7. Pies ajustables
8. Compartimento congelador
9. Compartimento de congelación rápida
10. Cubitera y compartimento para hielo
11. Cajón de verdura
12. Compartimento de cero grados
13. Luz interior
14. Estante de vidrio del compartimento refrigerador
15. Botón de ajuste de la temperatura
16. Compartimento refrigerador
17. Compartimento congelador



Las ilustraciones de este manual se proporcionan a modo de ejemplo y podrían no corresponderse exactamente con su aparato. Si determinadas partes no están presentes en el aparato que usted ha adquirido, indica que la figura corresponde a otro modelo.

## 3 Instalación

### 3.1. Lugar adecuado para la instalación

Contacte con un Servicio Técnico autorizado para la instalación del aparato. Para tener el aparato a punto para la instalación, vea la información en la guía de usuario y asegúrese de que las herramientas eléctricas y de agua sean las adecuadas. Si no lo son, llame a un electricista y a un fontanero para que hagan las modificaciones necesarias.



**ADVERTENCIA:** El fabricante no se responsabiliza de ningún daño causado por el trabajo llevado a cabo por personas no autorizadas.



**ADVERTENCIA:** El aparato debe estar desenchufado durante la instalación. ¡No hacerlo podría causar la muerte o lesiones graves!



**ADVERTENCIA:** Si la extensión de la puerta es demasiado estrecha para permitir el paso del aparato, retire la puerta y gire el aparato de lado; si esto no funciona, contacte con el servicio técnico autorizado.

- Coloque el aparato sobre una superficie lisa para evitar sacudidas.
- Instale el aparato a una distancia no inferior de 30 cm de radiadores, estufas y fuentes de calor similares y una distancia no inferior a 5 cm de cualquier horno eléctrico.

- No exponga el aparato directamente a la luz solar en ambientes húmedos.
- El producto requiere una circulación de aire adecuada para funcionar de manera eficiente.
- Si va a colocar el aparato en un hueco de la pared, no olvide dejar una distancia mínima de 5 cm con respecto al techo y las paredes.
- No instale el aparato en ambientes con una temperatura por debajo de -5°C.

### 3.2. Instalación de las cuñas de plástico

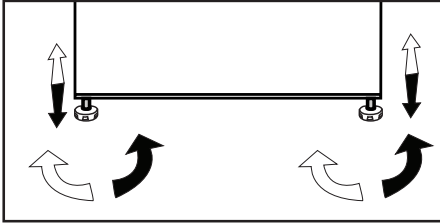
Use las cuñas de plástico incluidas con el aparato para que haya suficiente espacio para la circulación de aire entre el producto y el techo.

1. Para ello, retire los tornillos del aparato y utilice los tornillos que encontrará en la bolsa de las cuñas.

## Instalación

### 3.3. Ajuste de los pies

Si el aparato no queda equilibrado tras su instalación, ajuste las pies frontales girándolos de la derecha a la izquierda.



### 3.4. Conexión eléctrica



**ADVERTENCIA:** No utilice cables de extensión ni ladrones para realizar la conexión eléctrica.



**ADVERTENCIA:** Deje en manos de un servicio técnico autorizado la sustitución de un cable de alimentación dañado.



En caso de que vaya a instalar dos frigoríficos uno al lado del otro, debe dejar una separación no inferior a 4 cm entre ellos.

- Nuestra empresa no se hará responsable de daños provocados por el uso del aparato sin una toma de tierra conforme a las normativas nacionales.
- Tras la instalación, el enchufe del cable de alimentación debe quedar al alcance de la mano.
- No use cables de extensión ni múltiples tomacorrientes sin cable entre el aparato y la toma de pared.

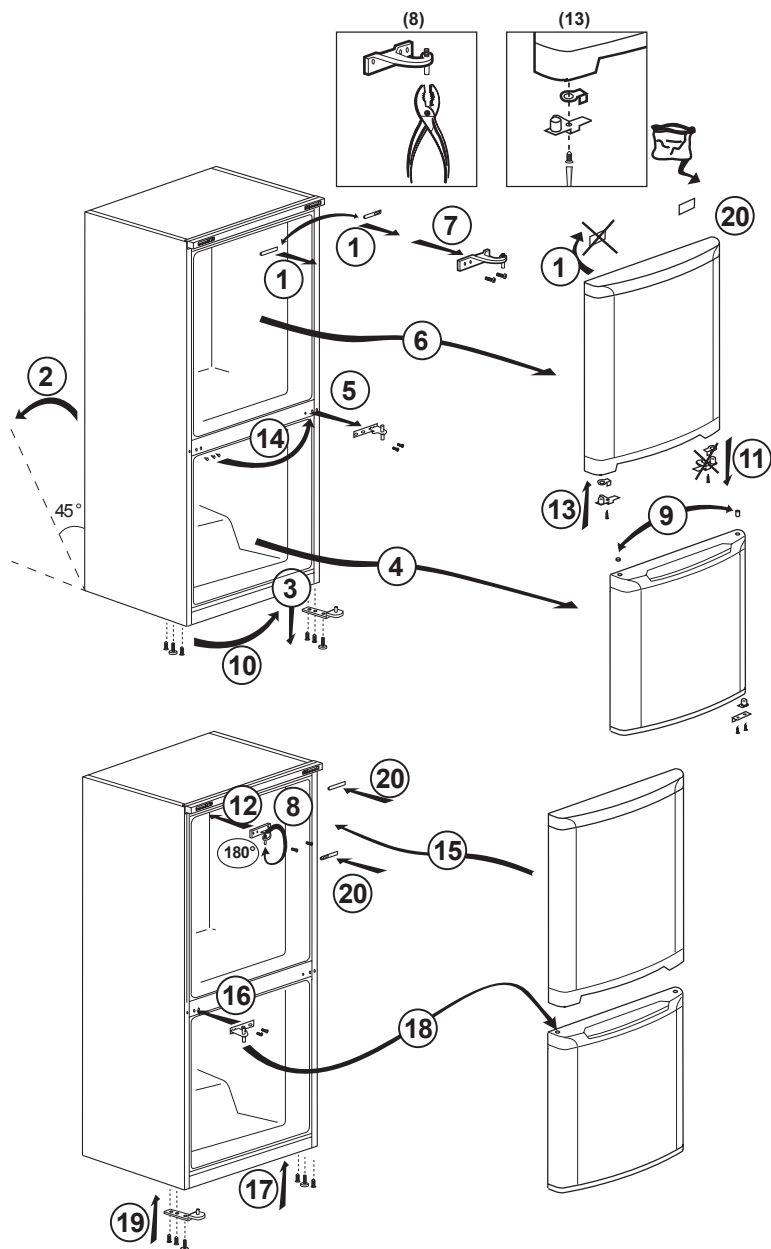


**Advertencia de superficie caliente**  
Las paredes laterales de su producto están equipadas con tubos de refrigerante para mejorar el sistema de refrigeración. El refrigerante con altas temperaturas puede fluir a través de estas áreas, lo que resulta en superficies calientes en las paredes laterales. Esto es normal y no necesita ningún mantenimiento. Por favor, tenga cuidado al tocar estas áreas.

## Instalación

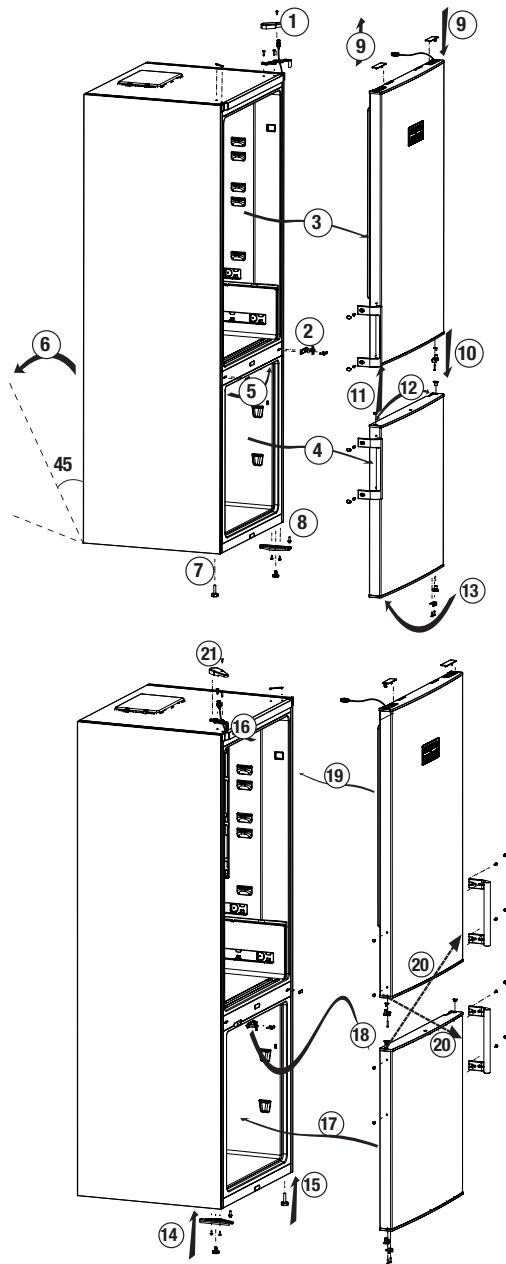
### 3.5. Inversión de las puertas

Proceder en orden numérico.



## 3.6. Inversión de las puertas

Proceder en orden numérico.





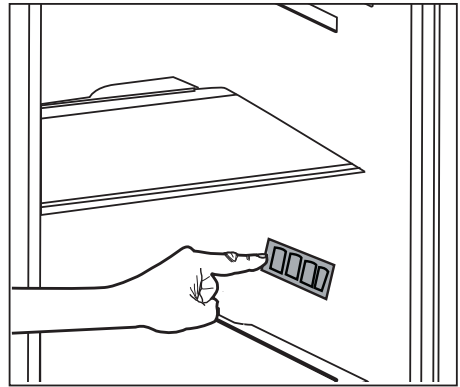
### 4.1. Consejos para el ahorro de energía



El aparato podría sufrir daños si se conecta a sistemas de ahorro de energía, por lo que es arriesgado.

- No deje las puertas del frigorífico abiertas durante periodos largos de tiempo.
- No introduzca alimentos o bebidas calientes en el frigorífico.
- No sobrecargue el frigorífico, pues se reducirá la capacidad de enfriamiento si se obstaculiza la circulación del aire en el interior.
- Para poder almacenar la máxima cantidad de alimentos en el compartimento del congelador, debe retirar el icematic, ubicado allí y que puede ser retirado con la mano. El volumen neto y el consumo energético especificados en la placa de datos del frigorífico se miden y se prueban retirando el frigorífico. No retire los estantes de dentro del compartimento del congelador de la puerta del compartimento del congelador. Úselos siempre, pues facilitan el uso del aparato y ayudan al consumo energético eficiente.
- No bloquee el flujo de aire colocando alimentos a los lados del ventilador del compartimento del congelador. Deje una distancia mínima de 3 cm a los lados de las paredes de la cobertura de protección del ventilador.
- Use siempre los canastos/cajones que se suministran con el compartimento del congelador para obtener un menor consumo de energía y mejores condiciones de almacenamiento.
- El contacto de los alimentos con el sensor de temperatura en el compartimento congelador puede elevar el consumo de energía del

electrodoméstico. Por lo tanto, se debe evitar todo contacto con el/los sensor/es.



- Según las características del electrodoméstico, descongele alimentos congelados en el compartimento del frigorífico para obtener un ahorro energético y conservar la calidad de los alimentos.
- No deje que los alimentos entren en contacto con el sensor de temperatura del compartimento del frigorífico que aparece en la imagen de más arriba.

### 4.2. Uso inicial

Antes de empezar a utilizar el frigorífico, compruebe que se hayan realizado todas las preparaciones indicadas en las secciones "Instrucciones importantes sobre seguridad" e "Instalación".

- Mantenga el aparato en funcionamiento durante 6 horas sin alimentos en su interior y no abra la puerta si no es estrictamente necesario.



Se oye un ruido cada vez que el compresor se pone en funcionamiento. Los líquidos y los gases contenidos en el sistema de refrigeración pueden también generar ruidos, incluso aunque el compresor no esté funcionando, lo cual es normal.



Es posible que las aristas delanteras del aparato se noten calientes al tacto. Esto es normal. Estas zonas deben permanecer calientes para evitar la condensación.



En algunos modelos, el panel de instrumentos se apaga automáticamente 5 minutos después de que la puerta se haya cerrado. Se reactivará cuando la puerta se abra o cuando se pulse cualquier tecla.

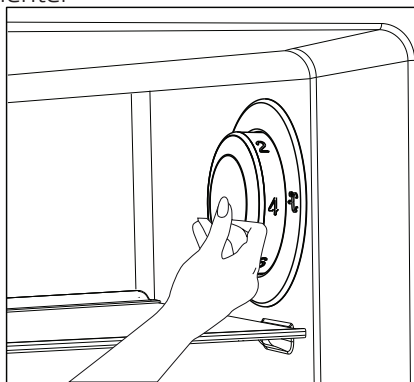
### 5.1. Botón de ajuste de la temperatura

La temperatura interior del frigorífico cambia debido a los siguientes motivos;

- Temperatura de la estación.
- Abrir la puerta con frecuencia y dejarla abierta durante mucho tiempo.
- Introducir en el frigorífico alimentos sin esperar que su temperatura alcance la temperatura ambiente
- La ubicación del frigorífico en la estancia (por ejemplo, que esté expuesto a la luz solar)
- Puede ajustar las variaciones de la temperatura interior debidas, por ejemplo, a la utilización del botón de ajuste.

Los números alrededor del mando de control indican los valores de temperatura en "°C".

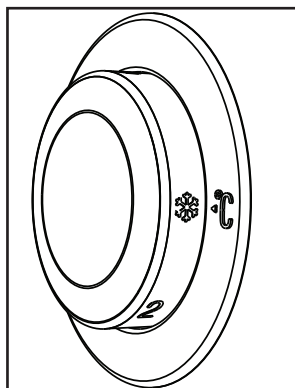
Si la temperatura ambiente es de 25°C, le recomendamos que use el mando de control del frigorífico a 4°C. Puede aumentar o disminuir este valor como sea necesario en otras temperaturas ambiente.



### 5.2. Congelación rápida

Si va a congelar grandes cantidades de alimentos frescos, ponga el mando de control en la posición de (❄) máx. 24 horas antes de depositar los alimentos en el compartimento de congelación rápida.

Se recomienda encarecidamente mantener el mando de control en la posición MAX durante por lo menos 24 horas para congelar la cantidad máxima de alimentos correspondiente a la capacidad de congelación. Ponga especial cuidado en no mezclar alimentos frescos y alimentos ya congelados.



## Funcionamiento del aparato

Recuerde volver a situar el mando del termostato en su posición previa una vez los alimentos se hayan congelado.

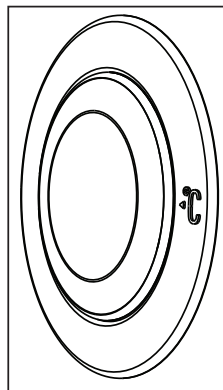
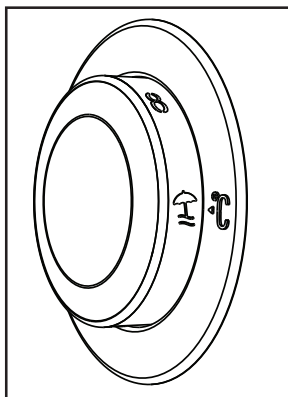
### 5.3. Función de vacaciones

Si las puertas del aparato no se abren durante 12 horas tras poner el termostato en la posición de máximo calor, la función de vacaciones se activará automáticamente.

Para cancelar la función, cambie los ajustes del mando.

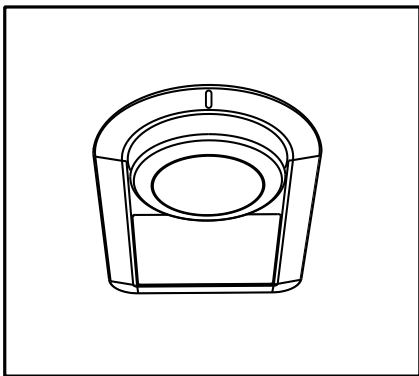
No se recomienda almacenar alimentos en el compartimento de más frío cuando la función de vacaciones esté activa.

- Cuando el ajuste haya finalizado, podrá pulsar el termostato y esconderlo.

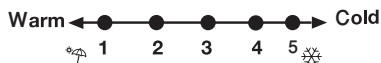


## Funcionamiento del aparato

### 5.4. Botón de ajuste del termostato



La temperatura de funcionamiento se regula mediante el mando de control de temperatura.



1=El ajuste de enfriamiento más bajo (el ajuste más caliente).

4=El ajuste de enfriamiento más alto (el ajuste más frío).

La temperatura media en el interior del frigorífico debería ser de unos +5 °C.

Seleccione el ajuste en función de la temperatura deseada.

Tenga en cuenta que habrá diferentes temperaturas en el área de refrigeración.

La zona más fría se encuentra situada justo encima del compartimento de las verduras.

La temperatura interior depende asimismo de la temperatura ambiente, la frecuencia de apertura de la puerta y la cantidad de alimentos almacenados.

Una apertura frecuente de la puerta provoca un aumento de la temperatura del interior.

Por este motivo, se recomienda cerrar la puerta lo antes posible después de cada uso.

### 5.5. Botón de ajuste del termostato

La temperatura interior del frigorífico cambia debido a los siguientes motivos;

- Temperaturas estacionales,
- Apertura frecuente de la puerta y dejar la puerta abierta durante largos períodos de tiempo,
- Alimentos introducidos en el frigorífico sin refrigeración a temperatura ambiente,
- La ubicación del frigorífico en la estancia (p.ej. exposición a la luz solar).
- Por estas razones, puede ajustar la temperatura interior variable utilizando el termostato. Los números alrededor del botón del termostato indican los grados de refrigeración.

**May not be available in all models**

## Funcionamiento del aparato

- Si la temperatura ambiente es superior a 32°C, gire el botón del termostato a la posición máxima.
- Si la temperatura ambiente es inferior a 25°C, gire el botón del termostato a la posición mínima.

### 5.6. Deshielo

#### Compartimento frigorífico

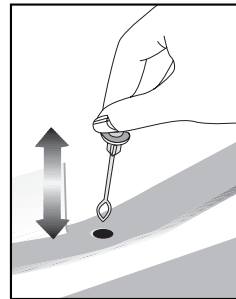
El compartimento frigorífico realiza un deshielo totalmente automático. Se pueden producir gotas de agua y una capa de hielo de hasta 7-8 mm en la pared trasera del compartimento del refrigerador durante su enfriamiento. Esto es normal, como resultado del sistema de enfriamiento. La escarcha se elimina con un desescarche automático en ciertos intervalos de tiempo, gracias al sistema de desescarche automático de la pared trasero. El usuario no tendrá que raspar la capa de hielo o eliminar las gotas de agua.

El agua resultante del deshielo pasa por la ranura de recogida de agua y fluye al evaporador a través del tubo de drenaje, donde se evapora.

Para evitar la descomposición de los alimentos congelados, el compartimento fondo de descongelación no descongela automáticamente.

El compartimento del congelador se deshiela de manera automática.

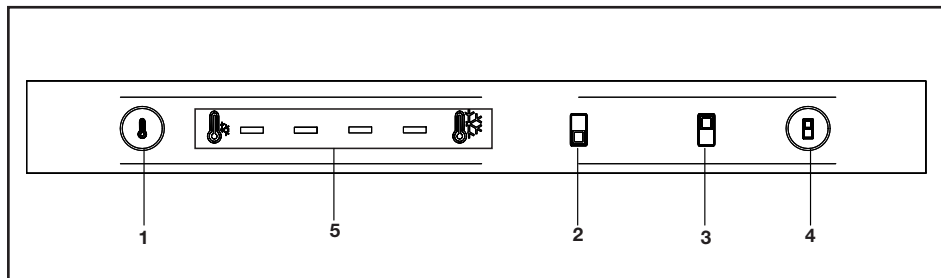
Compruebe regularmente si el tubo de desagüe está obstruido o no y límpielo introduciendo un palillo en el orificio, si es necesario.



## Funcionamiento del aparato

### 5.7. Panel indicador

Los paneles indicadores pueden variar dependiendo del modelo de aparato. Las funciones audiovisuales del panel indicador le ayudan a utilizar el aparato.



1. Tecla para cambiar el valor de congelación: Se utiliza para ajustar el valor de congelación de los compartimentos de refrigerífico y congelador. Si pulsa esta tecla mientras el indicador del congelador (2) está encendido, cambiará la congelación del congelador. Si pulsa esta tecla mientras el indicador del compartimento del refrigerífico (3) está encendido, cambiará la congelación del compartimento del refrigerífico.
2. Indicador del compartimento del congelador: Cuando este indicador está encendido, el valor de congelación actual del compartimento del congelador se mostrará en el indicador de congelación (5). Puede pulsar la tecla para cambiar el valor de congelación (1) para cambiar el valor de congelación del compartimento de congelación del congelador.
3. Indicador del compartimento del refrigerífico: Cuando este indicador está encendido, el valor de congelación actual del compartimento del refrigerífico se mostrará en el indicador de congelación (5). Puede pulsar la tecla para cambiar el valor de congelación (1) para cambiar el valor de congelación del compartimento del refrigerífico.
4. Tecla de selección de compartimentos: Se utiliza para seleccionar los compartimentos del refrigerífico y congelador.
5. Indicador de congelación: Muestra el valor de congelación del compartimento seleccionado. El valor de congelación aumenta de izquierda a derecha.

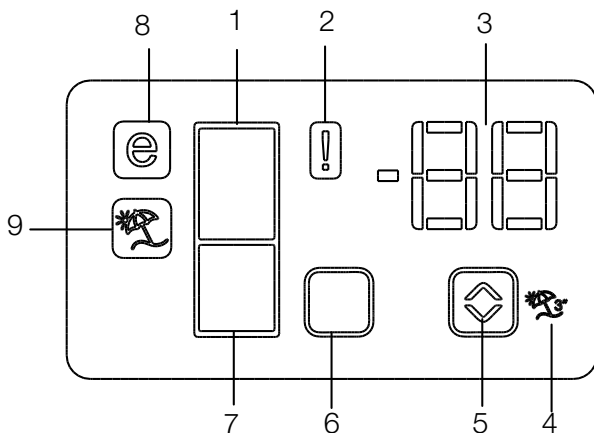


**\*opcional:** Las ilustraciones de este manual se proporcionan a modo de ejemplo y podrían no corresponderse exactamente con su aparato. Si determinadas partes no están presentes en el aparato que usted ha adquirido, indica que la figura corresponde a otro modelo.

## Funcionamiento del aparato

### 5.8. Panel indicador

Los paneles indicadores pueden variar dependiendo del modelo de aparato. Las funciones audiovisuales del panel indicador le ayudan a utilizar el aparato.



1. Indicador del compartimento congelador
2. Indicador de error
3. Indicador de temperatura
4. Botón del modo vacaciones
5. Botón de ajuste de la temperatura
6. Botón de selección de compartimento
7. Indicador del compartimento frigorífico
8. Indicador del modo ahorro
9. Indicador de la función de vacaciones

**\*opcional**



**\*opcional:** Las ilustraciones de este manual se proporcionan a modo de ejemplo y podrían no corresponderse exactamente con su aparato. Si determinadas partes no están presentes en el aparato que usted ha adquirido, indica que la figura corresponde a otro modelo.



## Funcionamiento del aparato

### 1. Indicador del compartimento congelador

La luz del compartimento frigorífico se enciende al ajustar la temperatura del compartimento congelador.

### 2. Indicador de error

Este indicador se activa si su frigorífico no enfría o suficiente o en caso de fallo de un sensor. Cuando este indicador se active, el indicador de la temperatura del compartimento congelador mostrará "E" y el indicador de temperatura del compartimento frigorífico mostrará números, por ejemplo "1,2,3...". Estos números proporcionan al personal de mantenimiento información acerca del error.

### 3. Indicador de temperatura

Indicador de temperatura del compartimento frigorífico y congelador.

### 4. Botón del modo vacaciones

Pulse el botón de vacaciones durante 3 segundos para activar esta función. Cuando la función de vacaciones está activa, aparece "- -" en el indicador de temperatura del compartimento frigorífico y este compartimento no enfría. Cuando esta función está activa no es adecuado conservar alimentos en el compartimento frigorífico. El resto de compartimentos seguirán refrigerados a la temperatura ajustada para ellos. Para cancelar esta función, pulse de nuevo el botón **Vacaciones**.

### 5. Botón de ajuste de la temperatura

Cambia la temperatura del compartimento correspondiente en un rango de entre -24 °C... -18 °C y 8 °C...1 °C.

### 6. Botón de selección de compartimento

Botón de selección: Pulse el botón de selección de compartimento para alternar entre el compartimento frigorífico y el compartimento congelador.

### 7. Indicador del compartimento frigorífico

La luz del compartimento frigorífico se enciende al ajustar la temperatura del compartimento frigorífico.

### 8. Indicador del modo ahorro

Indica que el frigorífico opera en el modo de ahorro de energía. Este indicador estará activo si la temperatura del compartimento congelador se fija en -18 °C.

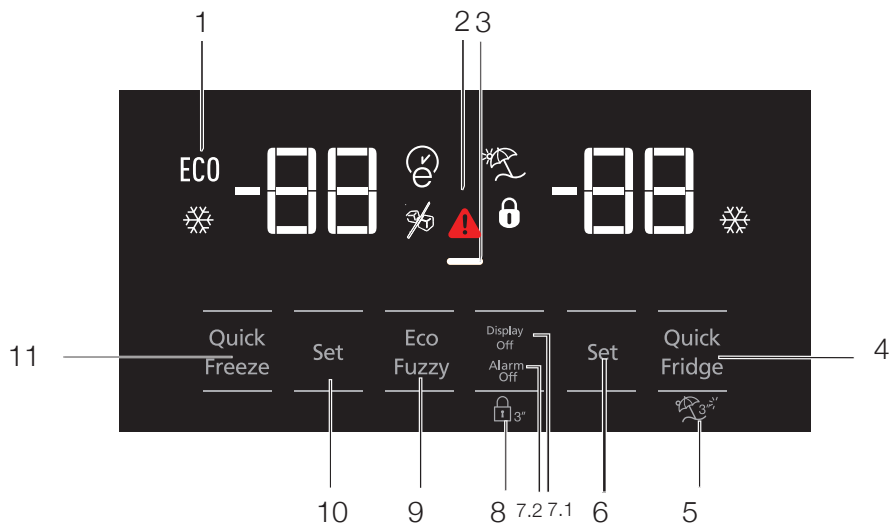
### 9. Indicador de la función de vacaciones

Indica que la función de vacaciones está activa.

## Funcionamiento del aparato

### 5.9. Panel indicador

El panel indicador le permite ajustar la temperatura y controlar as otras funciones relacionadas con el aparato sin abrir sus puertas. Basta con pulsar las inscripciones en los botones correspondientes para los ajustes de la función.



#### 1. Uso en Economía

Esta señal se iluminará cuando el congelador esté ajustado a  $-18^{\circ}\text{C}$ , la configuración más económica. (ECO) El indicador de uso económico se apagará cuando se seleccione la función de enfriamiento rápido o congelación rápida.

#### 2. Alta temperatura / alerta de falla

Este indicador (🚨) se encenderá en caso de fallos de temperatura o alertas de falla. Este indicador se ilumina durante un apagón, fallos de alta temperatura y avisos de errores.

Durante apagones prolongados, parpadeará en el visor la temperatura más alta registrada que alcance el compartimento del congelado. Después de comprobar los alimentos ubicados en el compartimento del congelador, pulse el botón de apagado de la alarma para aclarar la advertencia.

#### 3. Función de ahorro de energía (visor apagado)

Si las puertas de la nevera se mantienen cerradas durante un tiempo largo, la función de ahorro de




**\*opcional:** Las ilustraciones de este manual se proporcionan a modo de ejemplo y podrían no corresponderse exactamente con su aparato. Si determinadas partes no están presentes en el aparato que usted ha adquirido, indica que la figura corresponde a otro modelo.



## Funcionamiento del aparato

energía se activa automáticamente y el símbolo de ahorro de energía se ilumina. Si la función de ahorro de energía está activa, todos los símbolos del visor se apagarán excepto el símbolo de energía. Cuando el modo de ahorro de energía está activo, si se pulsa cualquier botón o se abre la puerta, la función de ahorro de energía se cancelará y los símbolos en el visor volverán a su estado normal. La función de ahorro de energía se activará durante la entrega desde la batería y no se puede cancelar.

### 4. Enfriamiento rápido

Cuando la función de enfriamiento rápido está activada, el indicador de enfriamiento rápido se iluminará () y el indicador de temperatura del compartimento de enfriamiento mostrará el valor 1. Pulse el botón de enfriamiento rápido de nuevo para cancelar esta función. El indicador de enfriamiento rápido se apagará y volverá a modo normal. La función de enfriamiento rápido se cancelará automáticamente después de 1 hora, a menos que sea cancelada por el usuario. Para enfriar una gran cantidad de alimentos frescos, pulse el botón de enfriamiento rápido antes de colocar los alimentos en el compartimento de refrigeración.


### 5. Función de vacaciones

Para activar la función de vacaciones, pulse el botón por () 3 segundos, esto activará el indicador de modo de vacaciones () ). Cuando la función de vacaciones está activa, el indicador de temperatura del compartimento


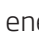
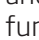
enfriador muestra la inscripción "- -" y ningún proceso de enfriamiento estará activo en el compartimento de enfriamiento. Esta función no es adecuada para mantener los alimentos en el compartimento de enfriamiento. Otros compartimentos permanecerán enfriados con la temperatura correspondiente fijada para cada compartimento.

**Pulse el botón vacation/vacaciones de nuevo para cancelar esta función.**

### 6. Ajuste de la temperatura del compartimento del enfriador

Después de pulsar el botón, la temperatura del compartimento enfriador se puede configurar para 8,7,6,5,4,3,2 y 1 respectivamente. ()

#### 7. 1 Ahorro de energía (pantalla apagada)

Al pulsar este botón () se encenderá la señal de ahorro de energía () y la función de ahorro de energía se activará. Al activar la función de ahorro de energía se apagarán todas las demás indicaciones de la pantalla. Cuando la función de ahorro de energía está activada, al pulsar cualquier tecla o abrir la puerta se desactivará la función de ahorro de energía y las señales de visualización volverán a la normalidad. Al pulsar este botón () de nuevo, se apagará la señal de ahorro de energía y se desactivará la función de ahorro de energía.

#### 7. 2 Aviso de desconexión de la alarma

En caso de apagón/alarma de alta temperatura, pulse el botón de desconexión de alarma para eliminar

## Funcionamiento del aparato

el aviso después de comprobar los alimentos en el compartimento del congelador.

### 8. Bloqueo del teclado

Pulse el botón de bloqueo del teclado (Ⓜ) simultáneamente durante 3 segundos. La señal de bloqueo del teclado (Ⓜ) se iluminará y el bloqueo del teclado será activado. Los botones estarán inactivos cuando se activa el bloqueo del teclado. Pulse el botón de bloqueo del teclado de nuevo simultáneamente durante 3 segundos. La señal de bloqueo del teclado se apagará y el modo de bloqueo del teclado se desactivará. Pulse el botón keypad lock/bloqueo del teclado (Ⓜ) para evitar el cambio de los ajustes de temperatura del frigorífico.

### 9. Eco-fuzzy

Para activar la función eco-fuzzy, presione y mantenga presionado el botón eco-fuzzy durante 1 segundo. Cuando esta función está activa, el congelador cambia al modo económico después de al menos 6 horas y el indicador de uso de económica se iluminará. Para desactivar la función (Ⓜ) eco-fuzzy, mantenga pulsado el botón de función eco-fuzzy durante 3 segundos.

El indicador se encenderá después de 6 horas cuando la función eco-fuzzy está activa.

### 10. Ajuste de la temperatura del compartimento del congelador

La temperatura en el compartimento del congelador es ajustable. Al pulsar el botón de número (9) permitirá que

la temperatura del compartimento del congelador se establezca a -18, -19, -20, -21, -22, -23 y -24. (Ⓜ)

### 11. Congelación rápida

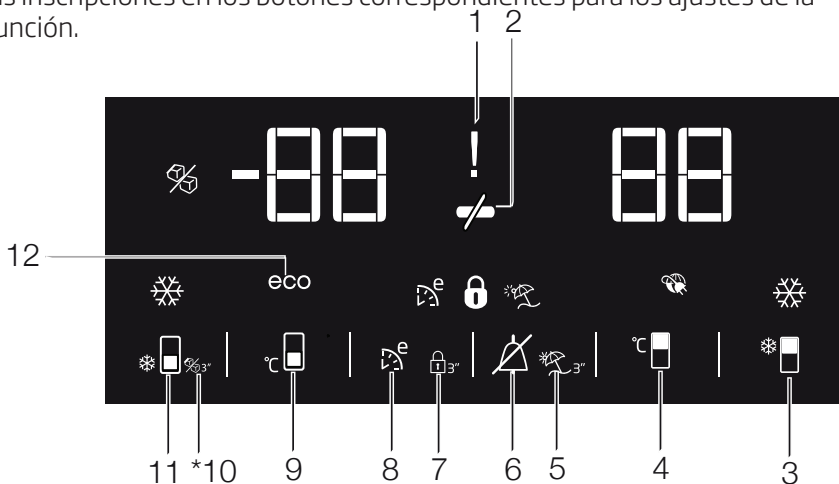
Para la congelación rápida, presione el botón, lo que activará el indicador de congelación rápida (❄).

Cuando la función de congelamiento rápido está activada, el indicador de congelamiento rápido se iluminará (❄) y el indicador de temperatura del compartimento de congelamiento mostrará el valor -27. Pulse el botón Rapid freeze/Enfriamiento rápido de nuevo para cancelar esta función. El indicador de congelación rápida se apagará y volverá a modo normal. La función de congelación rápida se cancela automáticamente después de 24 horas, si no es cancelada por el usuario. Para congelar una gran cantidad de alimentos frescos, pulse el botón de congelación rápida antes de colocar los alimentos en el congelador.

## Funcionamiento del aparato

### 5.10. Panel indicador

El panel indicador le permite ajustar la temperatura y controlar as otras funciones relacionadas con el aparato sin abrir sus puertas. Basta con pulsar las inscripciones en los botones correspondientes para los ajustes de la función.



#### 1. Apagón/Temperatura alta / luz de advertencia de error

Esta luz (1) se ilumina durante un apagón, fallos de alta temperatura y avisos de errores. Durante apagones prolongados, parpadeará en el visor la temperatura más alta registrada que alcance el compartimento del congelado Después de comprobar los alimentos ubicados en el congelador (2), pulse el botón de apagado para aclarar la advertencia.

#### 2. Función de ahorro de energía (pantalla apagada):

Si las puertas de la nevera se mantienen cerradas durante un tiempo largo, la función de ahorro se activa automáticamente y el símbolo de ahorro de energía se ilumina. (3)

Si la función de ahorro de energía está activa, todos los símbolos de la pantalla se apagarán excepto el símbolo de ahorro de energía. Cuando el modo de ahorro de energía está activo, si se pulsa cualquier botón o se abre la puerta, la función de ahorro de energía se cancelará y los símbolos en la pantalla volverán a su estado normal.




**\*opcional:** Las ilustraciones de este manual se proporcionan a modo de ejemplo y podrían no corresponderse exactamente con su aparato. Si determinadas partes no están presentes en el aparato que usted ha adquirido, indica que la figura corresponde a otro modelo.

## Funcionamiento del aparato

La función de ahorro de energía se activará durante la entrega desde la fábrica y no se puede cancelar.

### 3. Función de refrigeración rápida

El botón tiene dos funciones. Pulse brevemente este botón para activar o desactivar la función de enfriamiento rápido. La luz de refrigeración rápida y el aparato volverán a su configuración habitual. (  )



Use la función de enfriamiento rápido cuando desee enfriar con rapidez los alimentos depositados en el compartimento frigorífico. Si desea enfriar grandes cantidades de alimentos frescos, active esta función antes de depositar los alimentos en el aparato.



Si no cancela manualmente la función, esta se cancelará automáticamente transcurridas ocho horas o bien una vez el compartimento frigorífico alcance la temperatura deseada.




Si pulsa el botón de enfriamiento rápido repetidamente a intervalos breves, se activará la protección del circuito electrónico y el compresor no se pondrá en marcha inmediatamente.





En caso de corte del fluido eléctrico, esta función no se activará automáticamente al restablecerse el suministro eléctrico.

### 4. Botón de ajuste de la temperatura del compartimento frigorífico

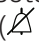
Pulse este botón para ajustar la temperatura del compartimento frigorífico a 8, 7, 6, 5, 4, 3, 2 y 8... respectivamente. Pulse este botón para ajustar la temperatura que desee para el compartimento frigorífico. (  )

### 5. Función de Vacaciones:


Para activar la función de vacaciones, pulse este botón (  ) durante 3 segundos, y la luz del modo de vacaciones (  ) se activará. Cuando la función de vacaciones está activa, aparece "- -" en el indicador de temperatura del compartimento frigorífico y este compartimento no enfría. Cuando esta función está activa no es adecuado conservar alimentos en el compartimento frigorífico. El resto de compartimentos seguirán refrigerados a la temperatura ajustada para ellos.

Para cancelar esta función, pulse de nuevo el botón de la **función de Vacaciones**.


### 6. Aviso de desconexión de la alarma:

En caso de apagón/alarma de alta temperatura, pulse el botón de desconexión de alarma (  ) para eliminar el aviso después de comprobar los alimentos en el compartimento del congelador.

### 7. Bloqueo de teclas


Pulse el botón de bloqueo de teclas (  ) simultáneamente durante 3 segundos. Símbolo de bloqueo de teclas

## Funcionamiento del aparato

() se iluminará y el modo de bloqueo de teclas se activará. Los botones no funcionarán si el modo de bloqueo de teclas está activo. Pulse el botón de bloqueo de teclas simultáneamente durante 3 segundos. El indicador de bloqueo de teclas se apagará y el modo de bloqueo de teclas se cancelará.


Pulse el botón de **bloqueo de teclas** para evitar modificar los ajustes de temperatura del frigorífico ()

### 8. Eco fuzzy


Pulse el botón Eco-Fuzzy y manténgalo pulsado durante 1 segundo para activar la función eco fuzzy. El frigorífico comenzará a funcionar en el modo más económico durante un mínimo de 6 horas y el indicador de uso económico se iluminará cuando esta función esté activa. () . Pulse y mantenga pulsado el botón Eco-Fuzzy y manténgalo pulsado durante 3 segundos para activar la función eco fuzzy.

Esta luz se iluminará después de 6 horas cuando la función eco fuzzy esté activada.

### 9. Botón de ajuste de la temperatura del compartimento congelador

Pulse este botón para ajustar la temperatura del compartimento congelador a -18, -19, -20, -21, -22, -23, -24, -18... respectivamente. Pulse este botón para ajustar la temperatura del compartimento del frigorífico al valor deseado. ()


### 10. Indicador de apagado del Icematic

Indica si el Icematic está encendido o apagado. () Si está encendido, entonces significa que el icematic no está en funcionamiento. Para activar de nuevo el Icematic, mantenga pulsado el botón de activación/desactivación durante 3 segundos.



El flujo de agua desde el depósito se detendrá al seleccionar esta función. No obstante, podrá seguir extrayendo del Icematic el hielo ya fabricado.

### 11. Función de congelado rápido/ botón de encendido-apagado del icematic.

Pulse brevemente este botón para activar o desactivar la función de enfriamiento rápido. Cuando active la función, el compartimento congelador se enfriará hasta alcanzar una temperatura inferior al valor fijado. ()

Para activar o desactivar el Icematic, mantenga el botón pulsado durante 3 segundos.



Use la función de congelación rápida cuando desee congelar con rapidez los alimentos depositados en el compartimento frigorífico. Si desea enfriar grandes cantidades de alimentos frescos, active esta función antes de depositar los alimentos en el aparato.

## Funcionamiento del aparato



Si no cancela manualmente la función de congelación rápida, ésta se cancelará automáticamente transcurridas cuatro horas o bien una vez el compartimento frigorífico alcance la temperatura deseada.



En caso de corte del fluido eléctrico, esta función no se activará automáticamente al restablecerse el suministro eléctrico.

### 12. Indicador del modo ahorro

Indica que el aparato está funcionando en el modo de eficiencia energética. **(eco)** Esta luz estará activada si la temperatura del compartimento del frigorífico está ajustada a -18 o si el enfriamiento eficiente se está llevando a cabo con la función Eco-Extra.



El indicador de uso económico se desactiva al seleccionar las funciones de enfriamiento rápido o congelación rápida.

### 5.11. Mover el estante de la puerta

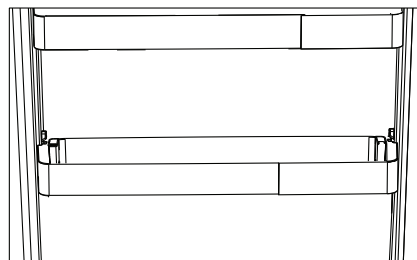
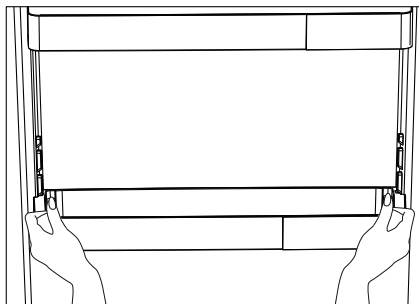
**(Característica opcional)**

La estantería móvil de la puerta puede fijarse en 3 posiciones diferentes.

Pulse los botones que se muestran a los lados de la misma manera para mover la estantería. La estantería debe ser móvil.

Mueva el estante hacia arriba o hacia abajo.

Suelte los botones cuando la estantería esté en la posición deseada. Debe fijar la estantería en la posición donde suelte los botones.

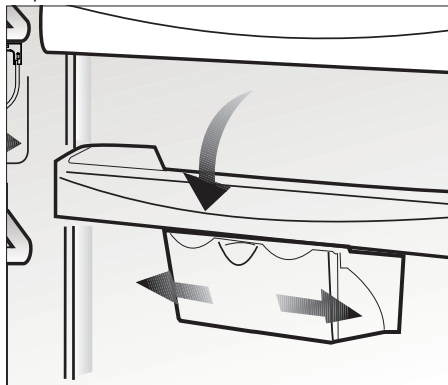


### 5.12. Contenedor de almacenamiento deslizable

**(Característica opcional)**

Este accesorio está diseñado para incrementar el volumen útil de los estantes de las puertas.

Le permite colocar con facilidad las botellas, jarras y conservas de mayor altura en el botellero inferior gracias a su capacidad para desplazarse a izquierda o derecha.





## Funcionamiento del aparato

### 5.13. Módulo desodorante

#### (FreshGuard) \*opcional

El módulo de desodorización elimina rápidamente los malos olores de su frigorífico antes de que penetren en las superficies. Gracias a este módulo, que se coloca en el techo del compartimento de alimentos frescos, los malos olores se disuelven mientras el aire pasa activamente por el filtro de olores y, a continuación, el aire que ha sido limpiado por el filtro vuelve a salir al compartimento de alimentos frescos. De esta manera, los olores no deseados que pueden surgir durante el almacenamiento de los alimentos en el frigorífico se eliminan antes de que penetren en las superficies.

Esto se consigue gracias al ventilador, al LED y al filtro de olores integrado en el módulo. En el uso diario, el módulo de desodorización se encenderá automáticamente de forma periódica. Para mantener un rendimiento eficiente, se recomienda que el proveedor de servicios autorizado coloque el filtro en el módulo de desodorización cada 5 años. Debido al ventilador integrado en el módulo, se oye normalmente el ruido durante el funcionamiento. Si abre la puerta del compartimento de alimentos frescos mientras el módulo está activo, el ventilador se detendrá temporalmente y se reanudará en el punto en el que se detuvo al cabo de algún tiempo una vez cerrada la puerta nuevamente.

En caso de fallo de alimentación, el módulo de desodorización se reiniciará en el punto en el que se haya interrumpido en la duración total de funcionamiento una vez que se restablezca la alimentación.

Info: Se recomienda almacenar los alimentos aromáticos (como quesos, aceitunas y alimentos selectos) en sus envases y sellados para evitar los malos olores que pueden resultar al mezclarse los olores de diversos alimentos. Además, se recomienda sacar los alimentos en mal estado del frigorífico rápidamente para evitar que los demás alimentos se estropeen, así como los malos olores.

## **Funcionamiento del aparato**

### **5.14. Cubitera**

#### **\*opcional**

- Retire la cubitera del compartimento congelador.
- Llene la cubitera con agua.
- Coloque la cubitera en el compartimento congelador.
- El hielo estará listo en unas dos horas aproximadamente. Retire la cubitera del compartimento congelador y dóblelo ligeramente encima de la bandeja donde lo vaya a servir. El hielo se verterá fácilmente en la bandeja para servir.

### **5.15. Luz azul**

#### **(Característica opcional)**

Este accesorio está diseñado para incrementar el volumen útil de los estantes de las puertas.

Le permite colocar con facilidad las botellas, jarras y conservas de mayor altura en el botellero inferior gracias a su capacidad para desplazarse a izquierda o derecha.

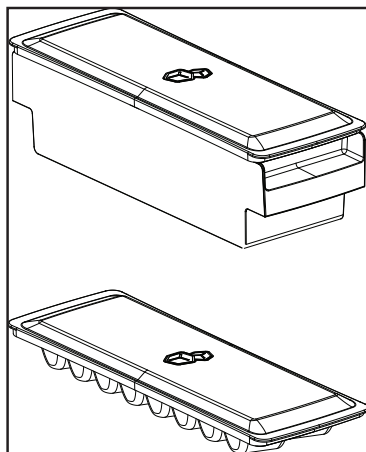
### **5.16. HerbBox/ HerbFresh (Cajón para hierbas/ Hierbas frescas)**

Retire el contenedor de película plástica del HerbBox/HerbFresh+ Saque la película plástica de la bolsa y póngala en el recipiente para la película plástica como se muestra en la imagen.

Vuelva a sellar el recipiente y vuelva a colocarlo en la unidad HerbBox/HerbFresh+.

Las secciones del HerbBox-HerbFresh+ son especialmente ideales para el almacenamiento de diversas hierbas que deben mantenerse en condiciones delicadas. Usted puede almacenar sus hierbas sin empaque (perejil, eneldo, etc) en esta sección horizontalmente y mantenerlas frescas durante un período mucho más largo.

La película deberá ser sustituida cada seis meses.



### **5.17. Huevera**

Puede instalar la huevera en la puerta o el estante que desee. Si va a colocarlo en los estantes del cuerpo, se recomienda usar los estantes inferiores más fríos.



No ponga la huevera en el compartimento congelador

## Funcionamiento del aparato

### 5.18. Uso del segundo cajón de frutas y verduras;



**Figura 1.**

Como se muestra en la figura, hay 2 toques en el segundo cajón de frutas y verduras del modelo K70560.



**Figura 2.**

El segundo cajón de frutas y verduras se asemeja al de la figura 2 al cerrarse.

**Figura 3.**

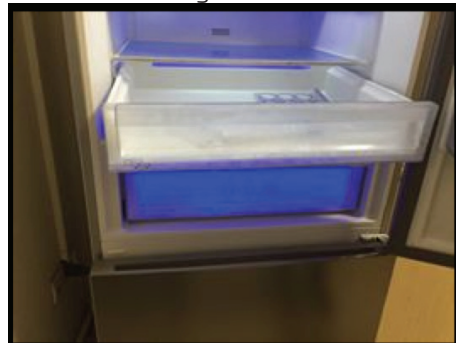
Con la puerta abierta 90°, tire del segundo cajón de frutas y verdura hasta el primer tope, tal y como se muestra en la figura 3.

En el caso de que el cajón esté más abierto, en primer lugar, abra la puerta por lo menos 135°. A continuación, como se muestra en la figura 4, levante el segundo cajón de frutas y verdura durante unos 5 mm de modo que quede desbloqueado del primer tope.



**Figura 4.**

Después de la elevación, tire del segundo cajón de frutas y verduras hasta el segundo tope, tal y como se muestra en la Figura 5.



**Figura 5.**

## Funcionamiento del aparato

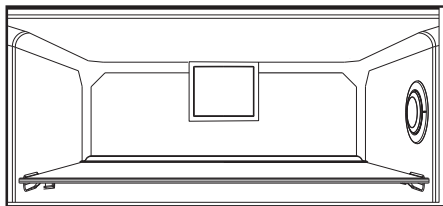
### 5.19. Ventilador

El ventilador turbo está diseñado para garantizar una distribución y circulación homogéneas del aire frío en el interior del su frigorífico. El tiempo de funcionamiento puede variar según las propiedades del electrodoméstico.

En algunos modelos, el ventilador funciona únicamente cuando lo hace el compresor, mientras que en otros el sistema de control determina su tiempo de funcionamiento de acuerdo con las necesidades de enfriamiento.

### 5.20. Cajón de frutas y verduras

El cajón de frutas y verduras de su aparato está especialmente diseñado para mantener la frescura de sus vegetales sin que pierdan su humedad. Con este fin, alrededor del cajón de frutas y verduras se intensifica la circulación de aire frío.



### 5.21. Compartimento de enfriamiento

#### (Característica opcional)

Use este compartimento para almacenar delicatessen que deban almacenarse a temperaturas más bajas o productos cárnicos que vaya a consumir dentro de poco tiempo.

El compartimento refrigerador es el lugar más frío del frigorífico, donde podrá almacenar productos lácteos, carnes, pescado y carne de ave de corral en las mejores condiciones. No almacene frutas ni verduras en este compartimento.

## Funcionamiento del aparato

### 5.22. Icematic automático

(Característica opcional)

El Icematic automático le permite fabricar hielo en el frigorífico fácilmente. Retire el depósito del agua del compartimento frigorífico, llénelo de agua y vuélvalo a colocar para obtener hielo del sistema Icematic.

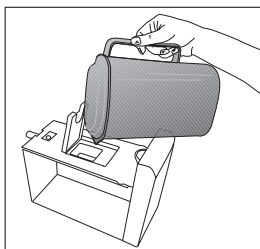
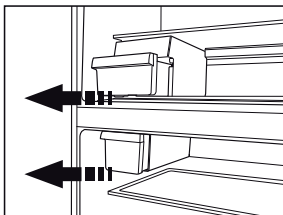
Los primeros cubitos estarán disponibles al cabo de unas dos horas en la cubitera del sistema Icematic ubicada en el compartimento congelador.

Si llena por completo el depósito de agua, podrá obtener aproximadamente entre 60 y 70 cubitos de hielo.

Cambie el agua del depósito de agua si ha estado allí durante 2-3 semanas.



Para los productos que tienen el Icematic automático, se puede oír cuando se esté formando el hielo. Este sonido es normal y en ningún caso indica un fallo.



### 5.23. Compartimento para verduras con control de humedad

(FreSHelf)

(Característica opcional)

Los niveles de humedad de las frutas y de las verduras se mantienen bajo control con la función del cajón de frutas y verduras con control de humedad y se garantiza que los alimentos se mantengan frescos por más tiempo.

Le recomendamos colocar las verduras de hoja, tales como lechuga, espinaca y aquellas hortalizas sensibles a la pérdida de humedad, en posición horizontal en la medida de lo posible, dentro del cajón, no sobre sus raíces en posición vertical.

Mientras se guardan las frutas y verduras, tenga en cuenta su peso específico. Las frutas y verduras más duras y pesadas deben colocarse en el fondo del cajón y aquellas más blandas y livianas deben ubicarse arriba.

Nunca deje las hortalizas dentro del cajón de frutas y verduras en sus bolsas. Si las hortalizas se dejan dentro de sus bolsas, se descompondrán en un breve período de tiempo. En caso de que no desee que las frutas y verduras estén en contacto entre sí por cuestiones de higiene, utilice un papel perforado, espuma u otros materiales de embalaje similares en lugar de una bolsa. No coloque juntos peras, albaricoques, melocotones, etc. y manzanas, en particular, en el mismo cajón que otras frutas y verduras, ya que tienen un alto nivel de generación de gas etileno. El gas etileno emitido por estas frutas puede ocasionar que las otras frutas maduren más rápido y se echen a perder en poco tiempo.

## Funcionamiento del aparato

### 5.24. Icematic y caja de almacenamiento de hielo

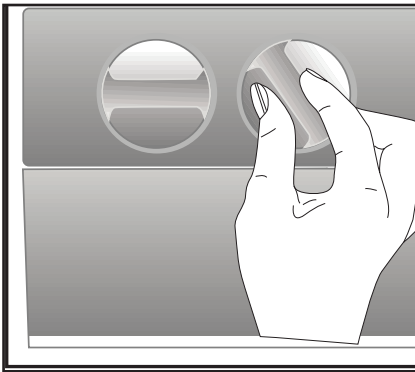
#### (Opcional)

Llene el icematic con agua y póngalo en marcha. El hielo estará listo después de aproximadamente dos horas. No retire la icematic para tomar el hielo.

Gire los botones de las cámaras de hielo a mano derecha al 90°, el hielo caerá en la caja de almacenamiento de hielo de abajo. A continuación, puede quitar la caja de almacenamiento de hielo y servir el hielo.



La caja de almacenamiento del hielo está destinada para el almacenamiento de hielo solamente. No llene con agua. Si lo hace, hará que se rompa.



### 5.25. Uso del dispensador de agua

#### \*opcional



Es normal que los primeros vasos de agua servidos por el dispensador estén calientes.



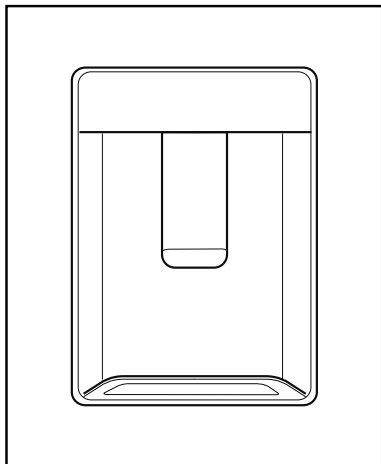
Si no se usa el dispensador de agua durante un periodo de tiempo prolongado, no consuma los primeros vasos de agua.

1. Presione la palanca del dispensador de agua con el vaso. Si está usando un vaso blando de plástico, le será más fácil empujar la palanca con la mano.
2. Una vez haya llenado el vaso hasta el nivel que desee, suelte la palanca.



Tenga en cuenta que el caudal de agua que suministra el dispensador depende del recorrido de la palanca. A medida que el nivel del agua en su copa o vaso llegue al borde, reduzca suavemente la presión ejercida sobre la palanca con el fin de evitar el rebosamiento. Si presiona la palanca levemente el agua goteará, es bastante normal, no se trata de un fallo.

## Funcionamiento del aparato



### 5.26. Uso del dispensador de agua

\*opcional

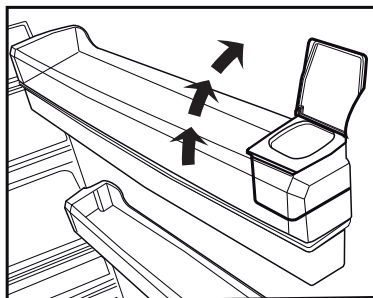
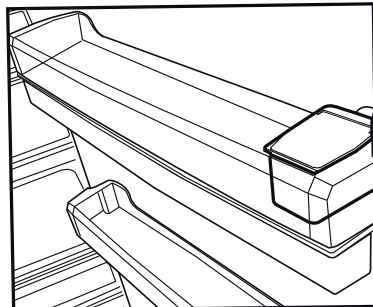


Es normal que los primeros vasos de agua servidos por el dispensador estén calientes.



Si no se usa el dispensador de agua durante un periodo de tiempo prolongado, no consuma los primeros vasos de agua.

1. Presione la palanca del dispensador de agua con el vaso. Si está usando un vaso blando de plástico, le será más fácil empujar la palanca con la mano.
2. Una vez haya llenado el vaso hasta el nivel que desee, suelte la palanca.



Tenga en cuenta que el caudal de agua que suministra el dispensador depende del recorrido de la palanca. A medida que el nivel del agua en su copa o vaso llegue al borde, reduzca suavemente la presión ejercida sobre la palanca con el fin de evitar el rebosamiento. Si presiona la palanca levemente el agua goteará, es bastante normal, no se trata de un fallo.

## Funcionamiento del aparato

### 5.27. Llenar el depósito del dispensador de agua

El depósito de agua se encuentra dentro de la bandeja de la puerta.

1. Abra la tapa del depósito.
2. Llene el depósito con agua potable.
3. Cierre la cubierta.



No vierta en el depósito de agua ningún otro líquido que no sea agua; la bebidas tales como los zumos de frutas, bebidas carbonatadas o bebidas alcohólicas no son adecuadas para el dispensador de agua. El dispensador de agua quedará dañado de forma irreparable si se utilizan dichos líquidos. La garantía no cubre estos usos. Algunas sustancias químicas y aditivos que contienen esos tipos de bebidas/líquidos pueden dañar el depósito de agua.



Utilice únicamente agua potable limpia.



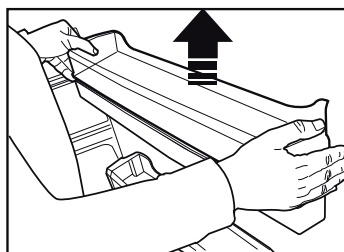
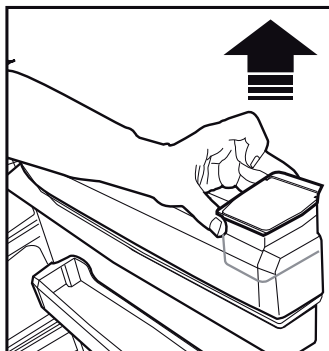
La capacidad del depósito de agua es de 3 litros, no lo llene excesivamente.

### 5.28. Limpieza del depósito de agua

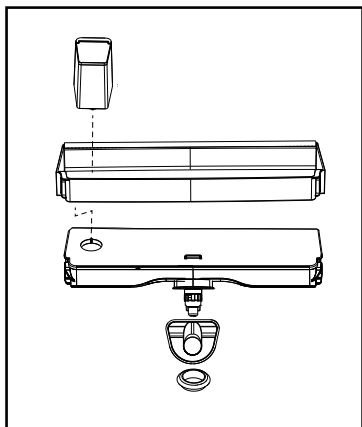
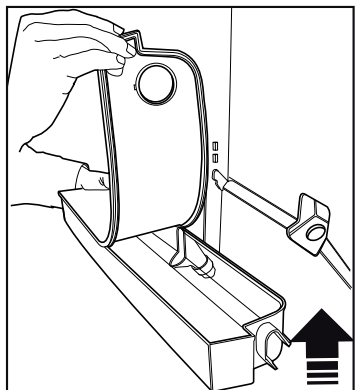
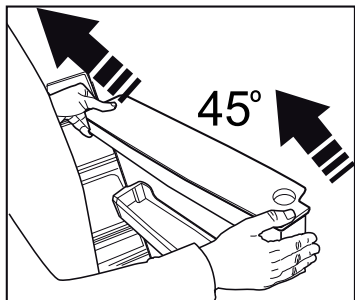
1. Retire el depósito de llenado de agua del interior de la rejilla de la puerta.
2. Retire la rejilla de la puerta sujetando por ambos lados.
3. Sujete el depósito de agua por ambos lados y retírelo en un ángulo de 45°C.
4. Retire la tapa del depósito y limpie el depósito.



Los componentes del depósito de agua y del dispensador de agua no deben lavarse en el lavavajillas.





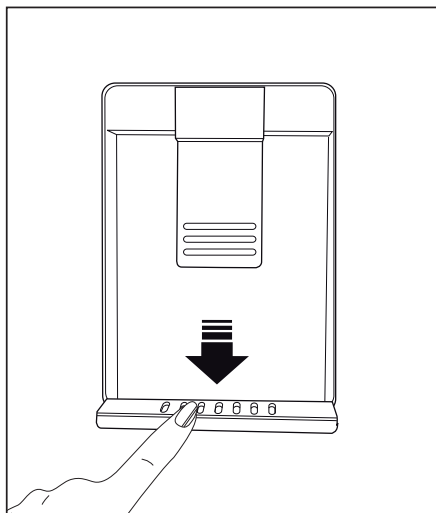


### 5.29. Bandeja de goteo

El agua que gotea durante el uso del dispensador de agua se acumula en la bandeja de derramamiento.

Retire el filtro de plástico tal y como se muestra en la figura.

Enjuague el agua acumulada con un trapo limpio y seco.



## Funcionamiento del aparato

### 5.30. Congelación de alimentos frescos

- Para preservar la calidad de los alimentos, debe congelarlos tan pronto como sea posible cuando los coloque en el compartimento congelador. Utilice la función de congelación rápida para esta finalidad.
- Puede guardar los alimentos durante más tiempo en el compartimento congelador cuando los congele cuando estén frescos.
- Envuelva los alimentos que vaya a congelar y cierre el envase para que quede hermético.
- Asegúrese de envolver bien los alimentos antes de colocarlos en el congelador. Use contenedores para congelador, láminas y papeles antihumedad, bolsas de plástico y otros materiales de embalaje en vez de papeles de embalaje tradicionales.

- Etiquete cada paquete de alimentos con la fecha antes de congelarlos. De esta manera, podrá distinguir el frescor de cada paquete de alimentos cada vez que abra el congelador. Guarde los alimentos congelados en la parte frontal del compartimento para asegurar que se consuman primero.



El compartimento del congelador se deshuela de manera automática.

- Consuma inmediatamente los alimentos recién descongelados, y no los vuelva a congelar.
- No congele cantidades demasiado grandes de una sola vez.

Ajuste del compartimento congelador	Ajuste del compartimento frigorífico	Comentarios
-18°C/4°F	4°C/40°F	Estos son los valores de uso recomendados.
-20/-4°F,-22/ -6°F o -24°C/-11°F	4°C/40°F	Se recomiendan estos valores cuando la temperatura ambiente rebase los 30 °C.
Congelación rápida	4°C/40°F	Se utiliza para congelar los alimentos rápidamente. El aparato volverá a su modo de funcionamiento previo una vez finalizado el proceso.
-18°C/4°F o más frío	2°C/37°F	Utilice estos ajustes si cree que el compartimento frigorífico no está suficientemente frío debido a las altas temperaturas ambientales o por la frecuente apertura y cierre de la puerta.

## Funcionamiento del aparato

### 5.31. Recomendaciones para la conservación de alimentos congelados

El compartimento no debe estar a más de  $-18^{\circ}\text{C}$ .

1. Coloque los paquetes de alimentos congelados en el congelador lo antes posible tras su compra sin dejar que se descongelen.
2. Compruebe si las fechas de consumo preferente y caducidad de los envases han vencido o no antes de congelarlos.
3. Asegúrese de que el envase de comida no esté dañado.

### 5.32. Información sobre la congelación

Los alimentos sólo pueden conservarse durante periodos prolongados de tiempo a temperaturas de  $-18^{\circ}\text{C}$  o menos.

Los alimentos frescos pueden conservarse durante muchos meses en el congelador a temperaturas de  $-18^{\circ}\text{C}$  o menos.

### 5.33. Colocar los alimentos

Estantes del compartimento congelador	Alimentos congelados diversos tales como carnes, pescados, helados, verduras, etc.
Estantes del compartimento frigorífico	Alimentos en cazuelas, platos cubiertos y recipientes cerrados, huevos (en recipientes cerrados)
Estantes de la puerta del compartimento frigorífico	Alimentos o bebidas en envases pequeños
Cajón de frutas y verduras	Verduras y frutas

No deje que los alimentos entren en contacto con alimentos previamente congelados, con el fin de evitar que éstos puedan descongelarse parcialmente.

Hierva las verduras y drene el agua para almacenarla durante más tiempo ya que estarán congeladas. Después de descargar el agua, colóquelos en paquetes herméticos y colóquelos dentro del congelador. Alimentos tales como plátanos, tomates, lechuga, huevos duros y patatas hervidas saladas no son aptas para la congelación. Cuando estos alimentos estén congelados, su valor nutricional y sabor pueden verse afectados negativamente. Esto podría crear un riesgo para la salud humana.

## Funcionamiento del aparato

Compartimento de alimentos frescos	Las delicatessen (comida de desayuno, productos cárnicos que vayan a consumirse en poco tiempo)
------------------------------------	---

### 5.34. Aviso de puerta abierta

#### (Característica opcional)

El frigorífico emitirá una señal acústica de aviso cuando la puerta del aparato permanezca abierta más de un 1 minuto. Está advertencia quedará silenciada cuando se cierre la puerta o se pulse cualquiera de los botones de la pantalla (si los hay).

La advertencia de puerta abierta se da tanto en forma visual como acústica. Si la advertencia prosigue durante 10 minutos, las luces interiores se apagarán.

### 5.35. Cambio de la dirección de apertura de la puerta

Puede cambiar la dirección de apertura de la puerta de su frigorífico en función del lugar en donde lo use. Si es necesario, or favor, llame al servicio técnico más cercado.

La descripción anterior es una información acerca del cambio de la dirección de la puerta, deberá consultar la etiqueta de advertencia del lado interior de la puerta.

### 5.36. Lámpara de iluminación

Las luces LED se usan como lámparas de iluminación. Contacte con un servicio técnico autorizado en caso de que haya algún problema con este tipo de luz.

La(s) luz(ces) usadas en este aparato no son aptas para la iluminación de las habitaciones del hogar. El fin previsto de la luz es ayudar al usuario a colocar alimentos en el frigorífico/congelador de una manera segura y cómoda.

La vida útil del aparato aumentará si lo limpia regularmente.



**ADVERTENCIA:** Desenchufe primero el aparato antes de limpiarlo.

- No utilice nunca para la limpieza herramientas afiladas o abrasivas, jabones, limpiadores domésticos, detergentes ni ceras abrillantadoras.
- Disuelva una cucharadita de bicarbonato en medio cuarto de agua. Empape un trapo en la solución y escúrralo totalmente. Limpie el interior del aparato con este paño y luego séquelo totalmente.
- Asegúrese de que no penetre agua en el alojamiento de la lámpara ni otros elementos eléctricos.
- Utilice un paño húmedo para limpiar la puerta. Para retirar la puerta y los estantes, retire todos sus contenidos. Retire los estantes de la puerta tirando de ellos hacia arriba. Tras limpiarlos, deslícelos de arriba hacia abajo para su colocación.
- Nunca use agentes de limpieza o agua que contengan cloro para limpiar las superficies exteriores y los cromados del producto. ya que el cloro corroe dichas superficies metálicas.
- No use herramientas afiladas o abrasivas, jabón, agentes de limpieza domésticos detergentes, queroseno, gasolina, barniz, etc. para eliminar las huellas dactilares de las piezas de plástico. Use agua tibia un un paño suave para limpiarlo, y luego séquelo.

### **6.1. Cómo evitar malos olores**

Nuestros electrodomésticos no se fabrican con materiales que puedan producir olores. Sin embargo, una conservación inadecuada de los alimentos y la falta de limpieza de la superficie interior del electrodoméstico pueden dar lugar a un problema de olores.

Por lo tanto, limpie el frigorífico con bicarbonato disuelto en agua cada 15 días.

- Conserve los alimentos en recipientes cerrados. Los microorganismos que proliferan en los envases no cubiertos pueden causar malos olores.
- Retire del frigorífico los alimentos cuya fecha de caducidad haya vencido y estén en mal estado.

### **6.2. Protección de las superficies de plástico**

Límpielos con agua caliente inmediatamente, puesto que el aceite podría dañar las superficies de plástico.

### 6.3. Vidrios de las puertas

Retire la lámina protectora de los vidrios.

Hay una capa que reduce al mínimo la formación de manchas y ayuda a eliminarlas con facilidad, así como la suciedad que pueda depositarse.

Los vidrios que no disponen de este recubrimiento de protección pueden verse sometidos a la acción persistente de sustancias orgánicas o inorgánicas presentes en el aire o el agua como por ejemplo cal, sales minerales, hidrocarburos sin quemar, óxidos de metal y siliconas que pueden causar con facilidad y rapidez manchas o daños materiales. Resulta muy difícil mantener el vidrio siempre limpio, a pesar de la limpieza regular. En consecuencia, el aspecto y la transparencia del vidrio se deteriora. Los métodos y productos de limpieza fuertes y corrosivos intensificarán estos efectos y acelerarán el proceso de deterioro.

Limpie siempre los vidrios con productos de limpieza con base acuosa que no sean alcalinos ni corrosivos.

Utilice siempre productos no alcalinos ni corrosivos para la limpieza, a fin de prolongar al máximo la vida útil de este recubrimiento.

Son vidrios templados para incrementar su resistencia frente a impactos y roturas.

La superficie posterior de los vidrios cuenta con una película de seguridad que evita que cause daños a los objetos circundantes en caso de rotura.

## 7 Resolución de problemas

Consulte la siguiente lista antes de llamar al servicio técnico. Si lo hace podrá ahorrar tiempo y dinero. La lista incluye las quejas más comunes que no tienen relación con un problema de fabricación ni con el material usado. Puede que ciertas características mencionadas aquí no sean de aplicación a este aparato.

### El frigorífico no funciona.

- El enchufe de alimentación no está colocada correctamente. >>> Enchúfelo para colocarlo correctamente en la toma de alimentación.
- El fusible conectado a la toma de corriente del aparato o el fusible principal están fundidos. >>> Compruebe los fusibles.

### Condensación en la pared lateral del compartimento frigorífico (MULTIZONA, CONTROL DE FRÍO y FLEXI ZONA).

- El ambiente es demasiado frío. >>> No instale el aparato en ambientes con una temperatura por debajo de -5°C.
- La puerta se abre con demasiada frecuencia >>> Intente no abrir la puerta tan a menudo.
- El ambiente es demasiado húmedo. >>> No instale el aparato en ambientes demasiado húmedos.
- Los alimentos que contengan líquidos están guardados en recipientes no sellados. >>> Guarde los alimentos que contengan líquidos en recipientes sellados.
- La puerta del aparato se ha dejado abierta. >>> No deje la puerta del aparato abierta durante mucho tiempo.
- El termostato está ajustado a un nivel muy bajo. >>> Ajuste el termostato a una temperatura adecuado.

### El compresor no funciona.

- En caso de que haya un apagón repentino o de desenchufar el cable y enchufarlo de nuevo, la presión de gas del sistema de refrigeración del aparato no estará equilibrada, lo que accionará la protección térmica del compresor. El aparato se reiniciará aproximadamente al cabo de 6 minutos. Si el aparato no se reinicia después de este período, contacte con el servicio técnico.
- La descongelación está todavía activo. >>> Esto es normal en un congelador con descongelación automática. La descongelación se realiza periódicamente.
- El aparato no está enchufado. >>> Asegúrese de que el cable de alimentación está enchufado.
- El ajuste de temperatura es incorrecto. >>> Seleccione el ajuste de temperatura adecuado.
- Se ha cortado el suministro eléctrico. >>> El aparato seguirá funcionando con normalidad una vez que el suministro se haya restablecido.

### El ruido de funcionamiento del frigorífico aumenta durante su uso.

- Tales valores variarán en función de las fluctuaciones de la temperatura ambiente. Esto es perfectamente normal, y no constituye una avería.

### El frigorífico está mucho tiempo funcionando o se enciende con demasiada frecuencia.

## Resolución de problemas

- Puede que su nuevo aparato sea más grande que el que tenía anteriormente. Los aparatos más grandes funcionarán durante más tiempo.
- Puede que la temperatura ambiente sea alta. >>> El aparato funcionará normalmente durante largos períodos de tiempo con una temperatura ambiente más alta.
- Puede que el aparato se haya enchufado recientemente o que se haya colocado un nuevo alimento en su interior. >>> El aparato tardará más en alcanzar la temperatura cuando haya sido enchufado recientemente o cuando se coloque un nuevo alimento en su interior. Esto es normal.
- Puede que se haya colocado grandes cantidades de alimentos calientes en el aparato. >>> No coloque alimentos calientes en el aparato.
- Las puertas se han abierto demasiado a menudo o se dejan abiertas durante largos períodos de tiempo. >>> El aire circulante en el interior hará que el aparato funcione durante más tiempo. No abra las puertas con demasiada frecuencia.
- Puede que el congelador o la puerta del congelador esté entreabierta. >>> Compruebe que las puertas estén totalmente cerrados.
- Puede que el aparato esté configurado con una temperatura demasiado baja. >>> Fíjela la temperatura a un grado más alto y espere a que el aparato alcance la temperatura establecida.
- Es posible que la junta de la puerta del compartimento frigorífico o congelador esté sucia, desgastada, rota o no asentada correctamente. >>> Limpie o sustituya la junta. Una junta de puerta rota / dañada hará que el aparato funcione durante más tiempo para preservar la temperatura actual.

### **La temperatura del frigorífico es muy baja, pero la del congelador es adecuada.**

- La temperatura del compartimento congelador está fijada a un grado muy bajo. >>> Fíjela a un grado más alto y compruébelo de nuevo.

### **La temperatura del frigorífico es muy baja, mientras que la del congelador es adecuada.**

- La temperatura del compartimento congelador está fijada a un grado muy bajo. >>> Fíjela a un grado más alto y compruébelo de nuevo.

### **Los alimentos depositados en los cajones del compartimento frigorífico están congelados.**

- La temperatura del compartimento congelador está fijada a un grado muy bajo. >>> Fíjela a un grado más alto y compruébelo de nuevo.

### **La temperatura del congelador o del frigorífico es demasiado alta.**



# Resolución de problemas

- La temperatura del compartimento congelador está fijada a un grado muy bajo. >>> La temperatura del compartimento refrigerador incide en la temperatura del compartimento congelador. Cambie las temperaturas del frigorífico o el congelador y espere hasta que la temperatura de los compartimentos correspondientes estén a un nivel adecuado.
- Las puertas se han abierto demasiado a menudo o se dejan abiertas durante largos períodos de tiempo. >>> No abra las puertas con demasiada frecuencia.
- Puede que la puerta esté entreabierta. >>> Cierre la puerta totalmente.
- Puede que el aparato se haya enchufado recientemente o que se haya colocado un nuevo alimento en su interior. >>> Esto es normal. El aparato tardará más en alcanzar la temperatura cuando haya sido enchufado recientemente o cuando se coloque un nuevo alimento en su interior.
- Puede que se haya colocado grandes cantidades de alimentos calientes en el aparato. >>> No coloque alimentos calientes en el aparato.

## **Sacudidas o ruidos.**

- El suelo no está nivelado o estable. >>> Si el aparato vibra, ajuste los pies para equilibrarlo. Compruebe además que el suelo sea lo suficientemente firme para soportar el aparato.
- Cualquier elemento colocado en el aparato puede provocar ruidos >>> Retire cualquier elementos colocado en el producto.

## **El aparato emite ruido del líquido en circulación, pulverización, etc.**

- Los líquidos y gases fluyen en función de los principios de funcionamiento del frigorífico. >>> Esto es normal y no es una avería.

## **El aparato emite un ruido de soplido de viento.**

- El aparato usa un ventilador para el proceso de refrigeración. Esto es perfectamente normal, y no constituye una avería.

## **Hay condensación en las paredes internas del aparato.**

- El tiempo cálido y húmedo favorece la formación de hielo y la condensación. Esto es perfectamente normal, y no constituye una avería.
- Las puertas se han abierto demasiado a menudo o se dejan abiertas durante largos períodos de tiempo. >>> No abra las puertas con demasiada frecuencia. Si las abre, ciérrelas.
- Puede que la puerta esté entreabierta. >>> Cierre la puerta totalmente.

## **Hay condensación en el exterior del aparato o entre sus puertas.**

- Puede que haya humedad en el aire; es algo bastante normal en climas húmedos. >>> Cuando el grado de humedad descienda, la condensación desaparecerá.

# Resolución de problemas

## El interior huele mal.

- El producto no se limpia regularmente. >>> Limpie el interior regularmente con una esponja, agua caliente y bicarbonato.
- Ciertos recipientes y materiales de embalaje pueden causar mal olor. >>> Utilice recipientes y materiales de embalaje libres de malos olores.
- Los alimentos están guardados en recipientes no sellados. >>> Guarde los alimentos en recipientes sellados. Los microorganismos pueden propagarse fuera de los recipientes de alimentos y causar olores desagradables.
- Retire cualquier alimentos caducado o descompuesto del aparato.

## La puerta no cierra.

- Puede que los paquetes de comida estén bloqueando la puerta. >>> Recoloque los elementos que estén bloqueando la puerta.
- El aparato no está colocado en el suelo en una posición totalmente vertical. >>> Ajuste los soportes para equilibrar el aparato.
- El suelo no está equilibrado o no es sólido. >>> Compruebe además que el suelo esté nivelado y que sea capaz de soportar el peso del frigorífico.

## El cajón de las verduras está atascado.

- Puede que los alimentos estén en contacto con la sección superior del cajón. >>> Reorganice los alimentos del cajón.



**ADVERTENCIA:** Si el problema persiste después de seguir las instrucciones en este apartado, contacte con un distribuidor o con el servicio técnico autorizado. No intente reparar el aparato.



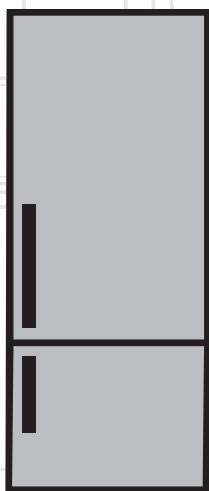
58 0940 0000/AJ  
3/4  
FR-ES



[www.beko.com](http://www.beko.com)

# Refrigerator

User manual



RCNE560E30ZXP

RCNE560E30DZXP

RCNE560I30DXB

RCNE560E30DZXB

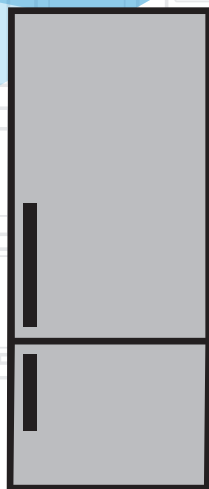
RCNE560E30ZXB

PTI

**beko**

# Frigorífico

Manual do Utilizador



PT |

**beko**

Caro Cliente,

Gostaríamos que aproveitasse a óptima eficiência do nosso produto, fabricado em modernas instalações segundo controlos de qualidade meticulosos.

Para este propósito, ler integralmente o guia do utilizador antes de utilizar o produto e manter o guia como fonte de referência. Se ceder este produto a outra pessoa, fornecer este guia em conjunto com o produto.

### **O guia do utilizador assegura a utilização rápida e segura do produto.**

- Ler o guia do utilizador antes de instalar e operar com o produto.
- Observar sempre as instruções de segurança aplicáveis.
- Manter o guia do utilizador em local de fácil acesso para uso futuro.
- Ler quaisquer outros documentos fornecidos com o produto.

Ter em mente que este guia do utilizador é aplicável a vários modelos do produto. O guia indica claramente quaisquer variações de modelos diferentes.

### **Símbolos e Observações**

**No guia do utilizador são usados os símbolos seguintes:**

	Informações importantes e dicas úteis.
	Risco de vida e do equipamento.
	Risco de choque eléctrico.
	A embalagem do produto é feita com materiais recicláveis, de acordo com a Legislação Ambiental Nacional.

## **1 Instruções de segurança e ambientais** **3**

- 1.1. Segurança geral . . . . . 3
- 1.1.1 Advertência HC . . . . . 4
- 1.1.2 Para modelos com dispensador de água 5
- 1.2. Utilização prevista . . . . . 5
- 1.3. Segurança das crianças . . . . . 5
- 1.4. Em conformidade com a Directiva REEE e Eliminação de Resíduos . . . . . 5
- 1.5. Em conformidade com a Directiva RSP. 5
- 1.6. Informação da embalagem . . . . . 6

## **2 O seu aparelho** **7**

### **3 Instalação** **8**

- 3.1. Local de instalação apropriado . . . . . 8
- 3.2. Instalar os calços de plástico . . . . . 8
- 3.3. Ajustar os pés . . . . . 8
- 3.4. Ligação elétrica . . . . . 9
- 3.5. Inverter as portas . . . . . 10
- 3.6. Inverter as portas . . . . . 11

### **4 Preparação** **12**

- 4.1. Coisas a serem feitas para poupar energia . . . . . 12
- 4.2. Uso inicial . . . . . 12

### **5 Operar com o produto** **13**

- 5.1. Botão de definição de temperatura . . 13
- 5.2. Congelar rápido . . . . . 13
- 5.3. Função férias . . . . . 14
- 5.4. Botão de ajuste do termóstato . . . . . 14
- 5.5. Botão de ajuste do termóstato . . . . . 15
- 5.6. Descongelação . . . . . 15
- 5.7. Painel indicador . . . . . 16
- 5.8. Painel indicador . . . . . 17
- 5.9. Painel indicador . . . . . 19
- 5.10. Painel indicador . . . . . 22
- 5.11. Icematic e caixa de armazenamento de gelo (Opcional). . . . . 24

- 5.12. Recipiente para o gelo . . . . . 25
- 5.13. Suporte para ovos. . . . . 25
- 5.14. Ventilador. . . . . 25
- 5.15. Gaveta para vegetais . . . . . 25
- 5.16. Compartimento refrigerador . . . . . 25
- 5.17. Usar a segunda gaveta para frutos e legumes do produto; . . . . . 26
- 5.18. Mover a prateleira da porta . . . . . 27
- 5.19. HerbBox/HerbFresh. . . . . 27
- 5.20. Recipiente de armazenamento deslizante . . . . . 28
- 5.21. Luz azul . . . . . 28
- 5.22. Módulo desodorizador. . . . . 28
- 5.23. Gaveta de vegetais com humidade controlada . . . . . 29
- 5.24. Icematic automático . . . . . 29
- 5.25. Utilizar a fonte de água fresca . . . . . 30
- 5.26. Utilizar a fonte de água fresca . . . . . 30
- 5.27. Encher o depósito do dispensador de água . . . . . 31
- 5.28. Limpar o depósito de água . . . . . 31
- 5.29. Tabuleiro para gotas de água. . . . . 32
- 5.30. Congelar alimentos frescos . . . . . 33
- 5.31. Recomendações para preservar alimentos congelados. . . . . 34
- 5.32. Informação do congelador . . . . . 34
- 5.33. Colocar alimentos. . . . . 34
- 5.34. Botão para abrir a porta . . . . . 34
- 5.35. Mudar a direção da abertura da porta 34
- 5.36. Lâmpada de iluminação . . . . . 34

### **6 Manutenção e limpeza** **35**

- 6.1. Evitar maus odores . . . . . 35
- 6.2. Proteger superfícies de plástico . . . . 35
- 6.3. Vidros da Porta . . . . . 35

### **7. Resolução de problemas** **36**

Esta secção fornece as instruções de segurança necessárias para prevenir risco de lesões e danos materiais. O não cumprimento destas instruções invalidará todos os tipos de garantia do produto.

### 1.1. Segurança geral

#### **AVISO:**

Manter as aberturas de ventilação, na caixa de proteção do aparelho ou na estrutura embutida, sem obstruções.

#### **ADVERTÊNCIA:**

Não usar dispositivos mecânicos nem outros meios para acelerar o processo de descongelação, exceto os recomendados pelo fabricante.



#### **AVISO:**

Não danificar o circuito de refrigeração.

#### **ADVERTÊNCIA:**

Não usar aparelhos eléctricos no interior dos compartimentos de armazenamento de alimentos do aparelho, a menos que sejam do tipo recomendado pelo fabricante.

Este aparelho é destinado a ser usado em uso doméstico e aplicações similares como

- zonas de cozinha em estabelecimentos comerciais, escritórios ou outros ambientes laborais;
- casas rurais e pelos clientes em hotéis, motéis e outros ambientes de tipo residencial;
- ambientes de tipo alojamento e pequeno almoço;
- utilizações de refeições e outros não-retalhistas similares.

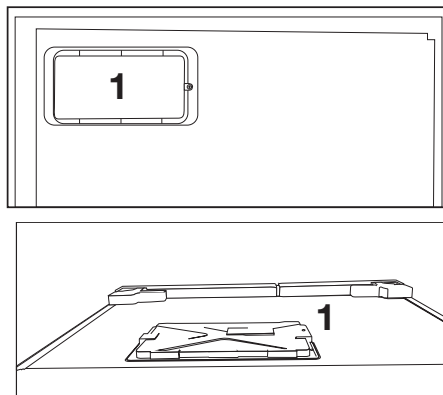
- Este produto não deve ser usado por pessoas com deficiências físicas, sensoriais e mentais, sem conhecimento e experiência

suficiente ou por crianças. O dispositivo apenas pode ser usado por estas pessoas sob supervisão e instrução de uma pessoa responsável pela sua segurança. As crianças não devem ser autorizadas a brincar com este aparelho.

- Em caso de mau funcionamento, desligue o aparelho.
- Depois de desligar, aguarde pelo menos 5 minutos antes de ligar novamente. Desligar o produto quando não está em uso. Não tocar na ficha com as mãos molhadas! Não puxar pelo cabo para desligar, segurar sempre pela ficha.
- Não ligar o frigorífico se a tomada estiver solta.
- Desligar o produto durante a instalação, manutenção, limpeza e reparação.
- Se o produto não for usado por uns tempos, desligar o produto e retirar quaisquer alimentos do interior.
- Não utilizar materiais de limpeza a vapor ou vapor para limpar o frigorífico e derreter o gelo no interior. O vapor pode entrar em contacto com as áreas electrificadas e causar curto-circuito ou choque eléctrico!
- Não lavar o produto pulverizando-o ou deitando água sobre o mesmo! Perigo de choque eléctrico!
- Nunca usar o produto se a secção localizada na parte superior ou traseira do seu produto com placas de circuitos impressos electrónicos no interior estiver aberta (tampa da placa de circuito electrónico impresso) (1).

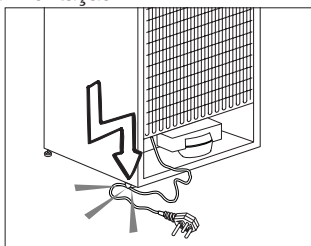


## Instruções de segurança e ambientais



- Em caso de mau funcionamento, não usar o produto, porque pode provocar um choque eléctrico. Contactar a assistência autorizada antes de fazer alguma coisa.
- Ligar o produto a uma tomada com ligação à terra. A ligação à terra deve ser feita por um electricista qualificado.
- Se o produto tem luz tipo LED, contactar a assistência autorizada para substituir ou em caso de quaisquer problemas.
- Não tocar em alimentos congelados com as mãos molhadas! Podem aderir às suas mãos!
- Não colocar líquidos em garrafas e latas no compartimento de congelação. Podem explodir!
- Colocar os líquidos em posição vertical depois de fechar a tampa firmemente.
- Não pulverizar substâncias inflamáveis perto do produto, podem incendiar ou explodir.
- Não manter no frigorífico materiais inflamáveis e produtos com gás inflamável (sprays, etc.).
- Não colocar recipientes com líquidos em cima do produto. Pulverizar água sobre as partes eléctricas pode causar choque eléctrico e risco de incêndio.

- Expor o produto à chuva, neve, sol e vento pode causar perigo eléctrico. Quando recolocar o produto, não puxar pelo puxador da porta. O puxador pode soltar-se.
- Ter cuidado para evitar prender qualquer parte das suas mãos ou corpo em alguma das partes móveis dentro do produto.
- Não pisar ou apoiar-se nas portas, gavetas e peças similares do frigorífico. Isto pode causar avaria do produto e danificar as partes.
- Ter cuidado para não prender o cabo de alimentação.



### 1.1.1 Advertência HC

Se o produto inclui um sistema de refrigeração com gás R600a, ter cuidado para não danificar o sistema de arrefecimento e a sua tubagem durante a utilização e movimentação do produto. O gás é inflamável. Se o sistema de refrigeração estiver danificado, manter o produto longe de fontes de ignição e ventilar imediatamente o espaço onde o frigorífico se encontra.



A etiqueta no lado esquerdo interior indica o tipo de gás usado no produto.

## Instruções de segurança e ambientais

### 1.1.2 Para modelos com dispensador de água

- A pressão para a entrada de água fria deve ser no máximo de 90 psi (620 kPa). Se a sua pressão de água exceder 80 psi (550 kPa, utilize uma válvula limitadora de pressão no seu sistema de alimentação. Se não sabe como verificar a sua pressão de água, deve solicitar a ajuda de um canalizador profissional.
- Se existir o risco de o golpe de ariete afetar a sua instalação, deve utilizar sempre um equipamento de prevenção do golpe de ariete na sua instalação. Deve consultar os canalizadores profissionais se não tiver a certeza se existe o efeito de golpe de ariete na sua instalação.
- Não instalar na entrada de água quente. Deve tomar precauções relativamente ao risco de congelamento nas tubagens. O intervalo de funcionamento de temperatura da água deve ser 33°F (0,6°C) de mínimo e 100°F (38°C) de máximo.
- Usar apenas água potável.

### 1.2. Utilização prevista

- Este produto é concebido para utilização doméstica. Não está previsto para utilização comercial.
- O produto deve ser utilizado apenas para armazenar alimentos e bebidas.
- Não manter no frigorífico produtos sensíveis que requerem temperaturas controladas (vacinas, medicamentos sensíveis ao calor, equipamentos médicos, etc.).
- O fabricante não assume responsabilidades por qualquer dano devido a uso indevido ou inadequado.
- O tempo de vida do produto é de 10 anos. As peças sobresselentes

necessárias ao funcionamento do produto estarão disponíveis durante o referido período de tempo.

### 1.3. Segurança das crianças

- Manter os materiais de embalagem fora do alcance das crianças.
- Não permitir que as crianças brinquem com o produto.
- Se a porta do produto incluir uma fechadura, manter a chave fora do alcance das crianças.

### 1.4. Em conformidade com a Directiva REEE e Eliminação de Resíduos

Este produto está em conformidade com a Directiva UE REEE (2012/19/UE). Este produto tem um símbolo de classificação de resíduos de equipamentos eléctricos e electrónicos (REEE).



Este produto foi fabricado com peças de alta qualidade e materiais que podem ser reutilizados e são adequados para reciclagem. Não eliminar os resíduos como resíduos domésticos normais ou outros no fim da vida útil. Colocar no centro de recolha para a reciclagem de equipamentos eléctricos e electrónicos. Consultar as autoridades locais para indicação destes centros de recolha.

### 1.5. Em conformidade com a Directiva RSP

- Este produto está em conformidade com a Directiva UE REEE (2011/65/UE). Não contém materiais nocivos e proibidos especificados na Directiva.

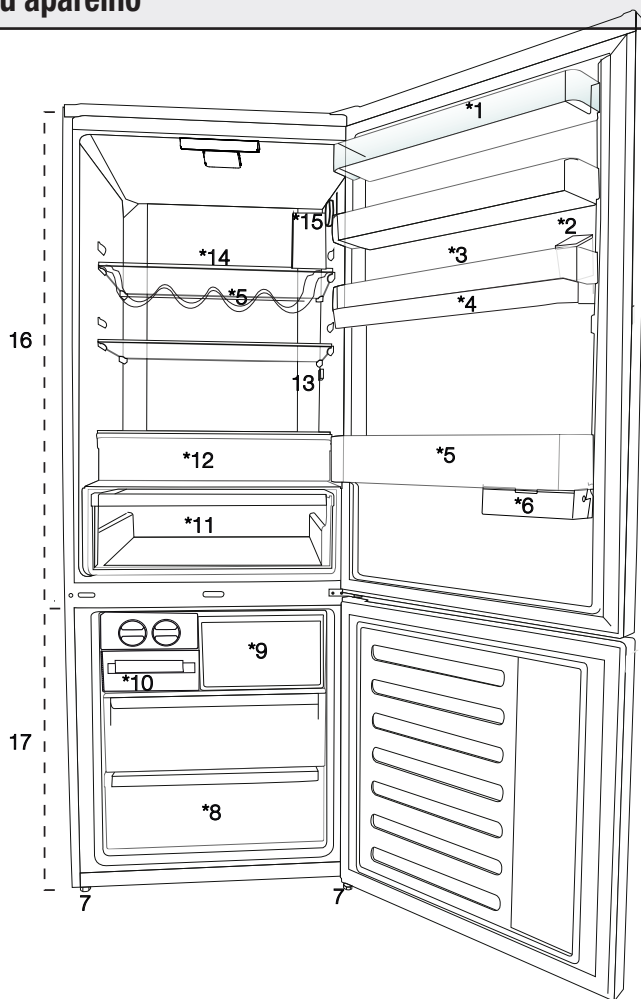
## Instruções de segurança e ambientais

---

### 1.6. Informação da embalagem

- Os materiais de embalagem do produto são fabricados com materiais recicláveis de acordo com os nossos Regulamentos Ambientais Nacionais. Não eliminar os materiais de embalagem junto com lixos domésticos ou outros. Colocar nos pontos de recolha de material de embalagem designados pelas autoridades locais.

## 2 0 seu aparelho



1. Prateleira da porta do compartimento do frigorífico
2. Reservatório de enchimento do dispensador de água
3. Secção dos ovos
4. Reservatório do dispensador de água
5. Prateleira para garrafas
6. Recipiente deslizante para armazenamento
7. Pés ajustáveis
8. Compartimento do congelador
9. Compartimento de congelação rápida
10. Tabuleiro para cubos de gelo e banco de gelo
11. Recipiente para vegetais
12. Compartimento zero graus
13. Luz interior
14. Prateleira de vidro do compartimento do frigorífico
15. Botão de ajuste da temperatura
16. Compartimento do frigorífico
17. Compartimento do congelador



**\*opcional:** As figuras neste manual do utilizador são dadas como um exemplo e podem não coincidir exatamente com o produto. Se as partes relevantes não estão disponíveis no produto que comprou, a figura aplica-se a outros modelos.

### 3.1. Local de instalação apropriado

Contactar uma Assistência Autorizada para a instalação do produto. De modo a preparar o produto para utilização, consultar a informação no manual do utilizador e assegurar que a instalação elétrica e a instalação de água são apropriadas. Se não, chamar um electricista e técnico qualificados para realizarem quaisquer arranjos necessários.

	<b>ADVERTÊNCIA:</b> O fabricante não será responsabilizado por danos que possam surgir a partir de procedimentos realizados por pessoas não autorizadas.
	<b>ADVERTÊNCIA:</b> O produto não deve ser ligado à tomada durante a instalação. Caso contrário, há o risco de morte ou lesão grave!
	<b>ADVERTÊNCIA:</b> Se o afastamento da porta da divisão onde o produto deve ser colocado for tão apertado impeça a passagem do produto, remover a porta da divisão e passar o produto pela porta girando-o para o seu lado; se isto não funcionar, contactar a assistência autorizada.

- Colocar o produto numa superfície de chão plana para evitar sacudidelas.
- Instalar o produto afastado pelo menos 30 cm de fontes de calor tais como fogões, núcleos de aquecedores e fornos e pelo menos a 5 cm de fornos elétricos.
- O produto não deve ser exposto à luz solar direta e mantido em locais húmidos.
- Deve ser proporcionada ventilação de ar apropriada à volta do seu produto de modo a alcançar um funcionamento eficiente. Se o produto for colocado num encaixe na parede, ter em atenção para deixar pelo menos 5 cm de distância ao teto e paredes laterais.
- Não instalar o produto em locais onde a temperatura desça abaixo de -5°C.

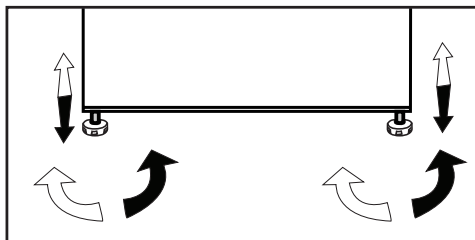
### 3.2. Instalar os calços de plástico

Os calços de plástico fornecidos com o produto são usados para criar a distância para a circulação de ar entre o produto e a parede de trás.

1. Para instalar os calços, retirar os parafusos no produto e usar os parafusos fornecidos em conjunto com os calços.
2. Inserir os 2 calços de plástico na tampa de ventilação de trás como mostrado na figura.


### 3.3. Ajustar os pés

Se o produto ficar desequilibrado depois da instalação, ajustar os pés da frente rodando-os para a esquerda ou direita.



## Instalação

### 3.4. Ligação elétrica

	<b>ADVERTÊNCIA:</b> Não fazer ligações através de cabos de extensão ou fichas múltiplas.
	<b>ADVERTÊNCIA:</b> O cabo de alimentação danificado deve ser substituído pelo Agente de Assistência Autorizado.
	Se dois refrigeradores são para ser instalados lado a lado, deve haver pelo menos 4 cm de distância entre eles.

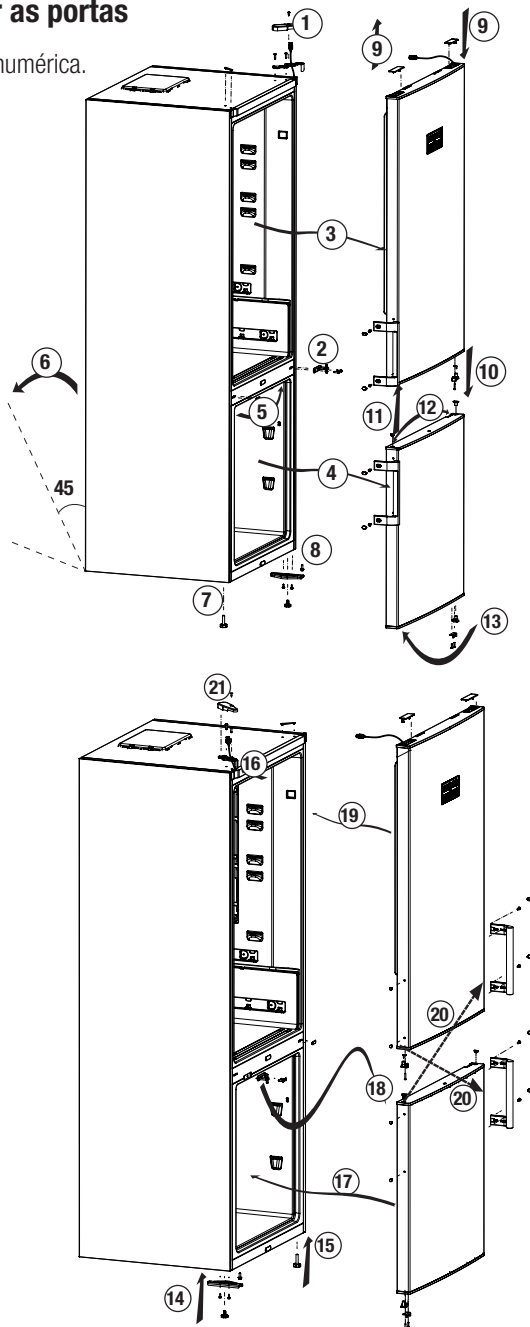
- A nossa empresa não será responsável por quaisquer danos que possam ocorrer quando o produto for usado sem ligação à terra e elétrica em conformidade com os regulamentos nacionais.
- A ficha do cabo de alimentação deve ser de fácil acesso após a instalação.
- Sem cabos de extensão ou tomadas múltiplas sem cabo entre o seu produto e a tomada da parede.

	<b>ADVERTÊNCIA:</b> Advertência de Superfície Quente As paredes laterais do seu produto são equipadas com tubos refrigerantes para melhorar o sistema de refrigeração. O refrigerante com altas temperaturas pode fluir através destas áreas, resultando em superfícies quentes nas paredes laterais. Isto é normal e não exige qualquer reparação. Deve ter cuidado quando tocar nestas áreas.
---	--

## Instalação

### 3.5. Inverter as portas

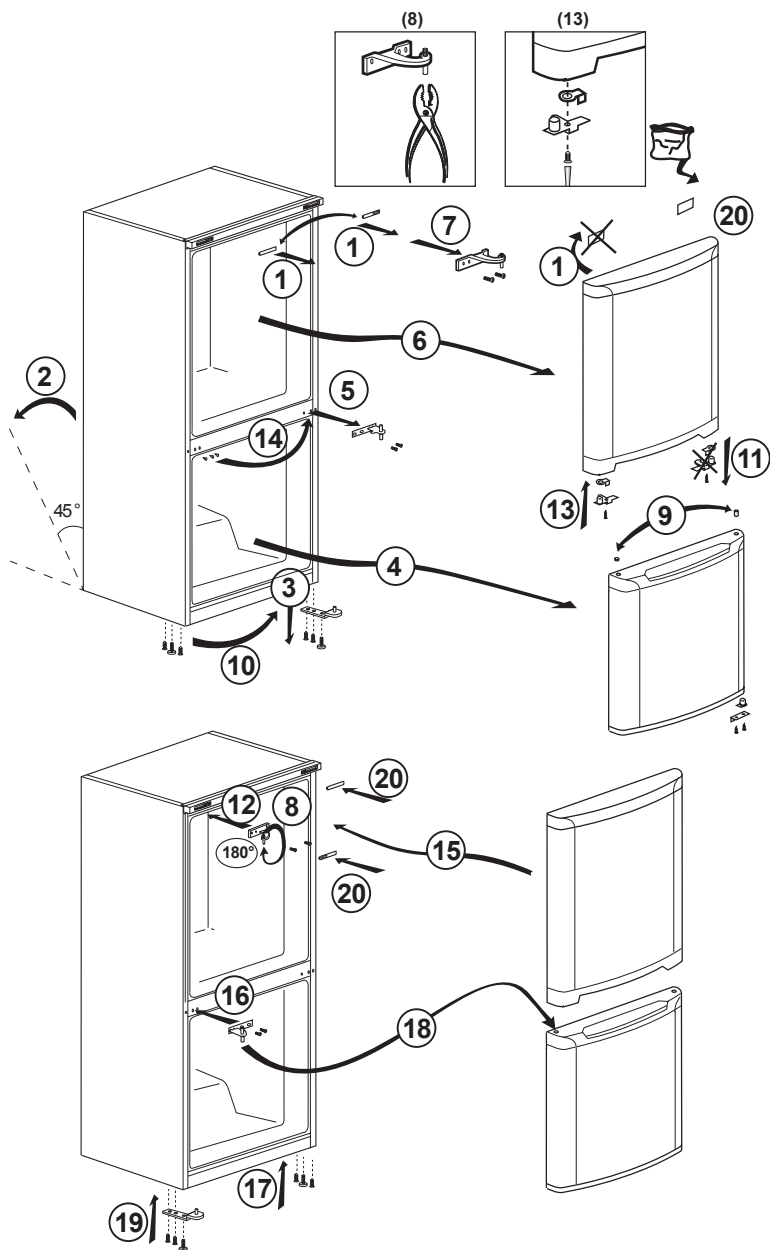
Seguir a ordem numérica.



## Instalação

### 3.6. Inverter as portas

Seguir a ordem numérica.





## 4 Preparação

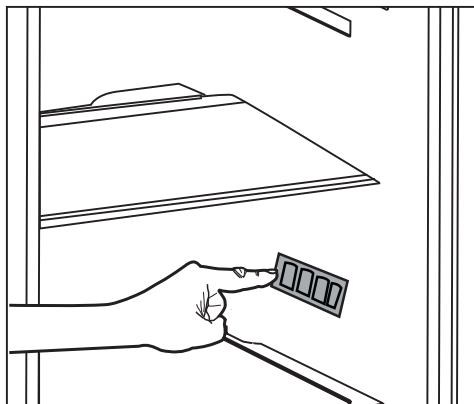
### 4.1. Coisas a serem feitas para poupar energia



Ligar o produto a sistemas eletrónicos de poupança de energia é arriscado pois podem danificar o produto.

- Não deixar as portas do seu frigorífico abertas por muito tempo.
- Não colocar alimentos ou bebidas quentes no seu frigorífico.
- Não sobrecarregar o frigorífico, a capacidade de arrefecimento falhará quando a circulação de ar interior for impedida.
- De modo a armazenar a quantidade máxima de alimentos no compartimento frigorífico, o Icematic, disponível no compartimento congelador e facilmente removível à mão, deverá ser retirado. Os valores declarados de volume líquido e consumo de energia declarados na placa de dados de energia do seu frigorífico são medidos e testados retirando o Icematic. Não retirar as prateleiras do interior do compartimento congelador e na porta do compartimento congelador não devem ser removidas e devem ser sempre usadas pois proporcionam facilidade de utilização e eficiência no consumo de energia.
- O fluxo de ar não deve ser bloqueado colocando alimentos nas laterais do ventilador do compartimento do congelador. Deve ser disponibilizada uma distância mínima de 3 cm nas laterais da tampa protetora do ventilador.
- Os cestos/gavetas que são fornecidos com o compartimento para os frescos têm de ser sempre utilizados para um menor consumo de energia e para melhores condições de armazenamento.
- O contacto dos alimentos com o sensor de temperatura no compartimento do congelador pode aumentar o consumo de energia do aparelho. Assim deve ser evitado qualquer contacto com o(s) sensor(es).
- Dependendo das características de seu produto, o descongelamento de alimentos congelados no compartimento frigorífico irá proporcionar a poupança de energia e preservar a qualidade dos alimentos.

- Não permitir o contacto de alimentos com o sensor de temperatura do compartimento frigorífico exibido na figura abaixo.



### 4.2. Uso inicial

Antes de começar a usar o seu frigorífico, assegurar que todos os preparativos são feitos de acordo com as instruções nas secções "Instruções de segurança e ambientais" e "Instalação".

- Pôr o produto a trabalhar sem quaisquer alimentos durante 6 horas e não abrir a porta, a menos que absolutamente necessário.



Ouvirá um ruído quando o compressor arrancar. Os líquidos e gases vedados no sistema de refrigeração podem também dar origem a ruídos, mesmo se o compressor não estiver a funcionar o que é perfeitamente normal.



As extremidades dianteiras do produto podem ficar quentes. Isto é normal. Estas áreas são concebidas para aquecer para evitar a condensação.

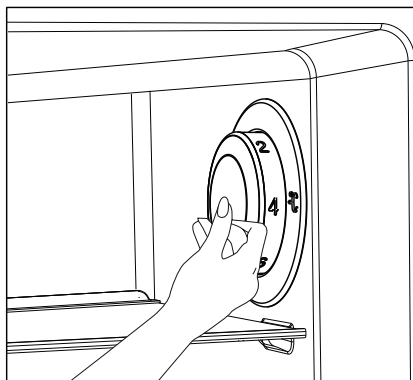


Em alguns modelos, o painel de instrumentos desliga automaticamente 5 minutos depois de a porta ser fechada. Será reativado quando a porta for aberta ou premida qualquer tecla.

### 5.1. Botão de definição de temperatura

A temperatura interior do seu frigorífico altera-se pelas seguintes razões:

- Temperaturas sazonais,
- Abertura frequente da porta e deixar a porta aberta por períodos longos,
- Alimentos postos no frigorífico sem arrefecer à temperatura da divisão,
- Localização do frigorífico na divisão (p.ex. exposto à luz solar).
- Deve ajustar a variação da temperatura interior devido a tais razões usando o botão de definição.
- Os números à volta do botão de controlo indicam os valores da temperatura em “°C”.
- Se a temperatura ambiente for 25°C, recomendamos que use o botão de controlo de temperatura do seu frigorífico a 4°C. Este valor deve ser aumentado ou diminuído se necessário noutras temperaturas de ambiente.

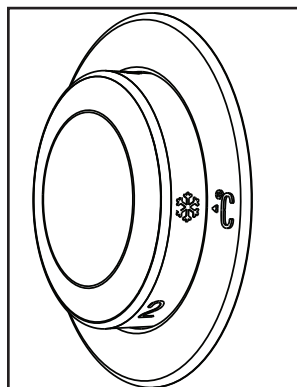


### 5.2. Congelar rápido

Se foram congeladas grandes quantidades de alimentos frescos, ajustar o botão de controlo de temperatura para (❄️) máx. 24 horas antes de pôr os alimentos frescos no compartimento de congelamento rápido.

É fortemente recomendado manter o botão nesta posição pelos menos 24 horas para congelar a quantidade máxima de alimentos frescos declarados como capacidade de congelamento. Ter especial cuidado para não misturar alimentos congelados e alimentos frescos.

Lembrar de rodar o botão controlo de temperatura de volta à sua posição anterior, uma vez os alimentos congelados.



**\*Opcional:** As figuras neste manual do utilizador são esquemáticas e podem não coincidir exatamente com o produto. Se as partes sujeitas não estão incluídas no produto que comprou, então essas partes são válidas para outros modelos.

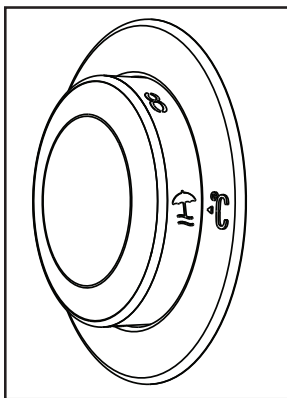
## Operar com o produto

### 5.3. Função férias

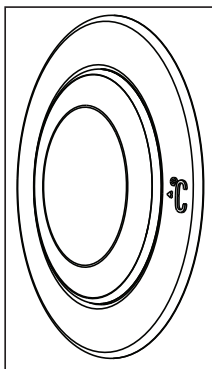
Se as portas do produto não forem abertos durante 12 horas após o botão de controlo de temperatura ser mudado para o posição mais quente, então a função de férias será ativada automaticamente.

Para cancelar a função, mudar a definição do botão.

Não é recomendado armazenar alimentos no compartimento frigorífico quando a função de férias está ativa.

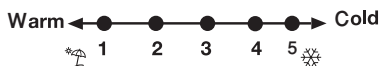
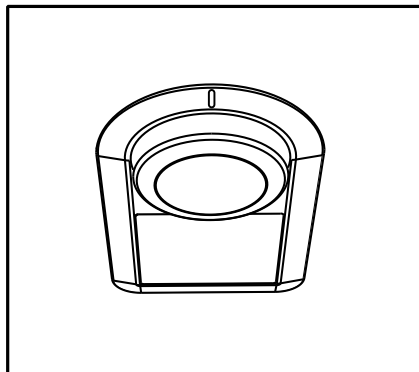


- Quando a operação de definição estiver concluída, deve premir o botão de controlo de temperatura e escondê-lo.



### 5.4. Botão de ajuste do termóstato

A temperatura de funcionamento é regulada pelo respetivo controlo.



**1 = Definição de arrefecimento mais baixa (Definição mais quente).**

**4 = Definição de arrefecimento mais elevada (Definição mais fria)**

A temperatura média dentro do frigorífico deve ser cerca de +5°C.

Escolha a definição de acordo com a temperatura pretendida.

Note que existem temperaturas diferentes na área de arrefecimento.

A área mais fria está imediatamente acima do compartimento para vegetais.

A temperatura interior também depende da temperatura ambiente, da frequência com que a porta é aberta e da quantidade de alimentos mantidos no interior do equipamento.

A abertura frequente da porta faz subir a temperatura interior.

**Poderá não estar disponível em todos os modelos**

## Operar com o produto

Assim, recomendamos o fecho da porta o mais rapidamente possível após a utilização.

### 5.5. Botão de ajuste do termóstato

A temperatura interior do seu frigorífico altera-se pelas seguintes razões:

- Temperaturas sazonais,
- Abertura frequente da porta e porta aberta durante longos períodos,
- Alimentos guardados no frigorífico sem que estejam arrefecidos até a temperatura ambiente,
- A localização do frigorífico na divisão da casa (p. ex.: exposição à luz solar).
- Deve ajustar a variação da temperatura interior devido a esses motivos, usando o termóstato. Os números em volta do botão do termóstato indicam os graus de arrefecimento.
- Se a temperatura ambiente estiver mais alta do que 32 °C, rode o botão do termóstato até a posição máxima.
- Se a temperatura ambiente for inferior a 25 °C, rode o botão do termóstato para a posição mínima.

### 5.6. Descongelação

#### Compartimento do frigorífico

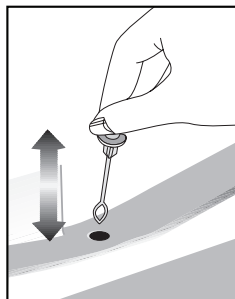
O compartimento do frigorífico executa descongelação totalmente automática. Podem ocorrer, no interior da parede posterior do compartimento do frigorífico, gotas de água e uma congelação até 7-8 mm enquanto o seu frigorífico arrefece. Tal formação é normal como resultado do sistema de arrefecimento. A formação de gelo é descongelada ao executar a descongelação automática a intervalos determinados, graças ao sistema de descongelação automática da parede posterior. Não é necessário ao utilizador raspar o gelo ou retirar as gotas de água.

A água resultante da descongelação passa do sulco de recolha da água e corre para dentro do evaporador através do tubo de drenagem e evapora-se aqui por si mesma.

O compartimento de Congelação profunda (Deep freezer) não realiza a descongelação automática para evitar a deterioração dos alimentos congelados.

O compartimento do congelador descongela-se automaticamente.

Verifique regularmente para ver se o tubo de descarga está entupido ou não e limpe-o com a vareta no orifício, quando necessário.

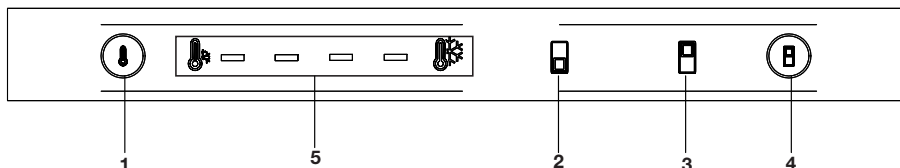


**Poderá não estar disponível em todos os modelos**

## Operar com o produto

### 5.7. Painel indicador

Os painéis indicadores podem variar de acordo com o modelo do produto. As funções áudio e vídeo do painel indicador irão ajudar na utilização do produto.



- 1. Botão para alteração do valor de arrefecimento:** É utilizado para ajustar o valor de arrefecimento do frigorífico e dos compartimentos do congelador. Se pressionar este botão enquanto o indicador do compartimento do congelador (2) está ligado, o arrefecimento do compartimento do congelador muda. Se pressionar este botão enquanto o indicador do compartimento do frigorífico (3) está ligado, o arrefecimento do compartimento do frigorífico muda.
- 2. Indicador do compartimento do congelador:** Quando este indicador está ligado, o valor atual de arrefecimento do compartimento do congelador é apresentado no indicador de arrefecimento (5). Pode pressionar o botão para alteração do valor de arrefecimento (1) para alterar o valor de arrefecimento do compartimento do congelador.
- 3. Indicador do compartimento do frigorífico:** Quando este indicador está ligado, o valor atual de arrefecimento do compartimento do frigorífico é apresentado no indicador de arrefecimento (5). Pode pressionar o botão para alteração do valor de arrefecimento (1) para alterar o valor de arrefecimento do compartimento do frigorífico.
- 4. Botão de seleção de compartimento:** É utilizado para selecionar os compartimentos do frigorífico e congelador.
- 5. Indicador de arrefecimento:** Apresenta o valor de arrefecimento do compartimento selecionado. Valor de arrefecimento aumentado da esquerda para a direita.



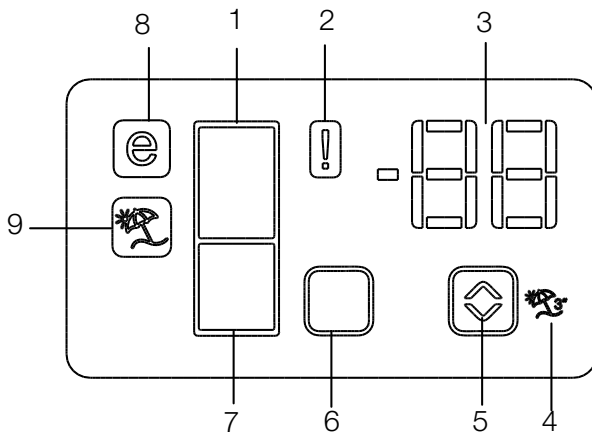
**\*Opcional:** As figuras neste manual do utilizador são esquemáticas e podem não coincidir exatamente com o produto. Se as partes sujeitas não estão incluídas no produto que comprou, então essas partes são válidas para outros modelos.

## Operar com o produto

### 5.8. Painel indicador

Os painéis indicadores podem variar de acordo com o modelo do produto.

As funções áudio e vídeo do painel indicador irão ajudar na utilização do produto.



1. Indicador do compartimento congelador
2. Indicador do estado do erro
3. Indicador da temperatura
4. Botão da função férias
5. Botão de definição de temperatura
6. Botão de seleção de compartimento
7. Indicador do compartimento frigorífico
8. Indicador do modo económico
9. Indicador da função férias

**\*opcional**

**Poderá não estar disponível em todos os modelos**



**\*Opcional:** As figuras neste manual do utilizador são esquemáticas e podem não coincidir exatamente com o produto. Se as partes sujeitas não estão incluídas no produto que comprou, então essas partes são válidas para outros modelos.

## Operar com o produto

### 1. Indicador do compartimento congelador

A luz do compartimento do frigorífico ilumina-se quando a temperatura do compartimento congelador é definida.

### 2. Indicador do estado do erro

Se o frigorífico não produz frio suficiente ou no caso de falha do sensor, este indicador é ativado. Quando o indicador é ativado, é exibido "E" no indicador de temperatura do compartimento congelador, e números como "1,2,3..." são exibidos no indicador de temperatura do compartimento frigorífico. Estes números no indicador servem para informar o pessoal da assistência sobre o erro.

### 3. Indicador da temperatura

Indica congelador, temperatura do compartimento frigorífico.

### 4. Botão da função férias

Premir o botão férias durante 3 segundos para ativar esta função. Quando a função férias é ativada, "- -" é exibido no indicador de temperatura do compartimento frigorífico e não é realizado arrefecimento ativo no compartimento frigorífico. Não é adequado manter os alimentos no compartimento do frigorífico quando esta função é ativada. Outros compartimentos continuarão a ser arrefecidos conforme a temperatura definida.

Para cancelar esta função premir de novo o botão **Férias**.

### 5. Botão de definição de temperatura

Altera a temperatura do compartimento relevante entre -24°C... -18°C e 8°C...1°C.

### 6. Botão de seleção de compartimento

Botão de seleção: Premir o botão de seleção do compartimento para alterar entre compartimentos frigorífico e congelador.

### 7. Indicador do compartimento frigorífico

A luz do compartimento do frigorífico ilumina-se quando a temperatura do compartimento frigorífico é definida.

### 8. Indicador do modo económico

Indica que o frigorífico funciona em modo de poupança de energia. Este visor será ativado se a temperatura do compartimento congelador for definida para -18°C.

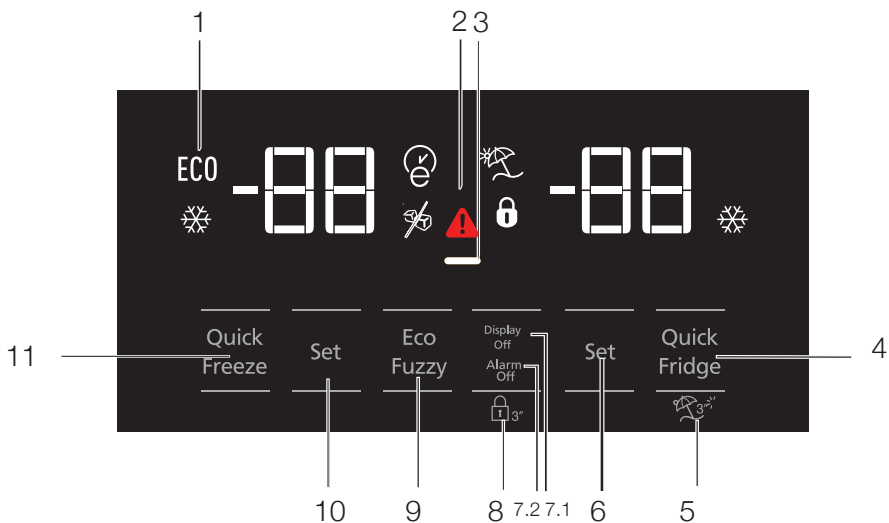
### 9. Indicador da função férias

Indica que férias está ativada.

## Operar com o produto

### 5.9. Painel indicador

O painel indicador permite-lhe definir a temperatura e controlar as outras funções relativas ao produto sem abrir a porta do produto. Premir apenas as inscrições nos botões relevantes para definições de função.



#### 1. Economia

Este sinal acende quando o compartimento de congelamento está definido para  $-18^{\circ}\text{C}$  o valor de definição mais económico (ECO). O Indicador de utilização económica desliga quando são selecionadas as funções de frio ou congelamento rápido.

#### 2. Temperatura elevada / indicador de advertência de erro

Este indicador (⚠) ilumina-se durante a temperatura elevada e advertências de erro.

#### 3. Frio rápido

O indicador de frio rápido (❄) ilumina-se quando a função de frio rápido é ativada e o valor do indicador de temperatura do

compartimento frigorífico é exibido como 1. Para cancelar esta função premir de novo o botão Frio rápido. O indicador de Frio rápido desligará e o frigorífico voltará às definições normais. A função de frio rápido é cancelada automaticamente após 1 hora se não a cancelar antes. Para refrigerar uma grande quantidade de alimentos frescos, premir o botão frio rápido antes de colocar os alimentos no compartimento frigorífico.

#### 4. Função férias

De modo a ativar a função férias, premir o botão n.º. (4) (🌴) durante 3 segundos, e o indicador de modo de férias ativa. Quando

**Poderá não estar disponível em todos os modelos**



**\*Opcional:** As figuras neste manual do utilizador são esquemáticas e podem não coincidir exatamente com o produto. Se as partes sujeitas não estão incluídas no produto que comprou, então essas partes são válidas para outros modelos.




## Operar com o produto


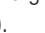
a função férias é ativada, “- -” é exibido no indicador de temperatura do compartimento frigorífico e não é realizado arrefecimento ativo no compartimento frigorífico. Não é adequado manter os alimentos no compartimento do frigorífico quando esta função é ativada. Outros compartimentos continuarão a ser arrefecidos conforme a temperatura definida.


Para cancelar esta função premir de novo o botão de **função Férias**.

### 5. Definição de temperatura do compartimento frigorífico

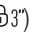
Quando o botão nº. (5) é premido, pode definir a temperatura do compartimento frigorífico para 8,7,6,5,4,3,2 e 1 respetivamente (  ).


### 6. Poupança de energia (visor desligado):

O símbolo de poupança de energia (  ) ilumina-se e a função de poupança de energia é ativada quando premir este botão (  ).


Quando a função de poupança de energia é ativada, todos os símbolos no visor que não o símbolo de poupança de energia apagar-se-ão. Quando a função de poupança de energia é ativada, se qualquer botão for premido ou a porta for aberta, a função de poupança de energia será cancelada e os símbolos no visor voltarão ao normal. O símbolo de poupança de energia desliga-se e a função de poupança de energia é desativada quando premir este botão (  ) de novo.

### 7. Bloqueio de teclas

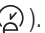
Premir o botão de bloqueio de teclas (  ) simultaneamente durante 3 segundos. Símbolo de bloqueio de teclas

(  ) acenderá e o modo de bloqueio de teclas será ativado. Os botões não funcionarão se o modo de bloqueio de teclas está ativado. Premir o botão de bloqueio de teclas

simultaneamente durante 3 segundos. O símbolo de bloqueio de teclas desliga e o modo de bloqueio de teclas será desligado.

Premir o botão **bloqueio de teclas** se quer evitar alteração da definição de temperatura do frigorífico (  ).

### 8. Eco-inteligente


Premir e manter premido o botão eco-inteligente durante 1 segundo para ativar a função eco-inteligente. O frigorífico começará a funcionar no modo mais económico, pelo menos mais 6 horas e o indicador de uso económico será ligado quando a função está ativa (  ). Premir e manter premido o botão da função eco-inteligente durante 3 segundo para desativar a função eco-inteligente.

Este indicador ilumina-se após 6 horas quando eco-inteligente é ativada.

### 9. Definição de temperatura do compartimento congelador

A definição de temperatura do compartimento congelador é realizada aqui. Quando o botão nº. 9 é premido, pode definir a temperatura do compartimento congelador para -18,-19,-20,2 e -22 respetivamente.


### 10. Congelar rápido

Premir o botão nº. (10) para a operação de congelar rápido, o indicador de congelar rápido (  ) será ativado.

O indicador de congelar rápido ilumina-se quando a função de congelar rápido é ativada e o valor do indicador de temperatura do compartimento frigorífico é exibido como -27.

## Operar com o produto

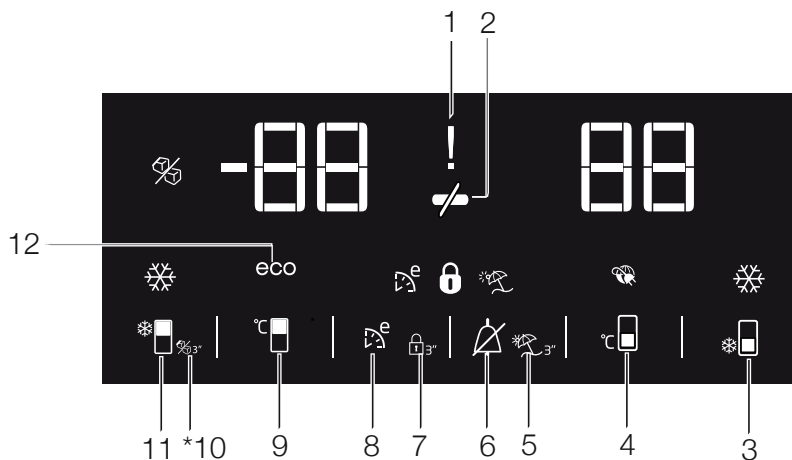
---

Para cancelar esta função premir de novo o botão congelar rápido (). O indicador de congelar rápido desligará e o frigorífico voltará às definições normais. A função de congelar rápido é cancelada automaticamente após 24 hora se não a cancelar antes. Para congelar uma grande quantidade de alimentos frescos, premir o botão congelar rápido antes de colocar os alimentos no compartimento congelador.

## Operar com o produto

### 5.10. Painel indicador

O painel indicador permite-lhe definir a temperatura e controlar as outras funções relativas ao produto sem abrir a porta do produto. Premir apenas as inscrições nos botões relevantes para definições de função.



#### 1. Indicador de falha de energia / temperatura elevada / aviso de erro

Este indicador (🔌) acende-se durante falhas de energia, falhas devidas a alta temperatura e avisos de erro. Durante falhas de energia continuadas, a temperatura mais alta que o compartimento do congelador alcançará piscará no mostrador digital. Depois de verificar os alimentos localizados no compartimento do congelador (🔌) pressione o botão de desligar o alarme para eliminar o aviso.

#### 2. Função de poupança de energia (visor desligado)

Se as portas do produto forem mantidas fechadas durante muito tempo, a função de poupança de energia é automaticamente ativada e o símbolo respetivo de poupança de energia ficará aceso. (🔌)

Quando é ativada a função de poupança de energia, todos os símbolos no visor, para além do símbolo de poupança de energia, se desligarão. Quando a função de poupança de

energia é ativada, se nenhum botão for pressionado ou se a porta estiver aberta, a função de economia de energia será cancelada e os símbolos no visor irão voltar ao normal.

A função de poupança de energia é ativada durante a entrega da fábrica e não pode ser cancelada.





#### 3. Função de refrigeração rápida

O botão tem duas funções. Prima este botão rapidamente para ativar ou desativar a função Quick Cool (Refrigeração Rápida). O indicador "Quick Cool" desligar-se-á e o produto voltará às suas definições normais. (🔌)



**\*Opcional:** As figuras neste manual do utilizador são esquemáticas e podem não coincidir exatamente com o produto. Se as partes sujeitas não estão incluídas no produto que comprou, então essas partes são válidas para outros modelos.

## Operar com o produto

	Use a função de arrefecimento rápido quando quiser arrefecer rapidamente os alimentos colocados no compartimento do frigorífico. Se quiser refrigerar grandes quantidades de alimentos frescos, ative esta função antes de colocar os alimentos no frigorífico.
	Se não a cancelar, a refrigeração rápida cancelar-se-á automaticamente após 8 horas ou quando o compartimento do frigorífico atingir a temperatura pretendida.
	Se premir o botão de arrefecimento rápido repetidamente em curtos intervalos, a proteção do circuito eletrónico será ativada e o compressor não arrancará imediatamente.
	Esta função não é reativada quando a energia é restabelecida após alguma falha elétrica.

### 4. Botão de definição da temperatura do compartimento do refrigerador

Prima este botão para ajustar a temperatura do compartimento do frigorífico para 8, 7, 6, 5, 4, 3, 2, 8... respetivamente. Prima este botão para definir a temperatura pretendida para o compartimento do frigorífico (🔧).

### 5. Função “Vacation” (Férias)

Para ativar a função de férias, mantenha premido este botão (🌴) durante 3 segundos e o indicador de modo de férias (🌴) será ativado. Se a função de férias estiver ativa, aparecerá “- -” no indicador de temperatura do compartimento do frigorífico e não será realizado qualquer arrefecimento ativo no compartimento do frigorífico. Não é adequado manter os alimentos no compartimento do refrigerador quando esta função está ativada. Os outros compartimentos continuarão a ser arrefecidos, de acordo com a temperatura que têm definida.

Para cancelar esta função prima novamente o botão da função Vacation (Férias)

### 6. Aviso de alarme desligado:

Em caso de alarme de falha de energia/ temperatura elevada, depois de verificar os alimentos localizados na no compartimento do congelador pressione o botão de desligar (🔊) para eliminar o aviso.

### 7. Bloqueio de teclas

Prima o botão de bloqueio de teclas (🔒) continuamente durante 3 segundos. O símbolo de bloqueio de teclas

(🔒) irá acender-se e o modo de bloqueio de teclas será ativado. Os botões não funcionarão se o modo de Bloqueio de teclas estiver ativo. Prima o botão de bloqueio de teclas continuamente durante 3 segundos. O ícone de bloqueio de teclas apagar-se-á e o modo de bloqueio de tecla ficará inativo.

Pressione o botão de bloqueio de teclas se quiser evitar que se altere a definição de temperatura do frigorífico (🔒).

### 8. Eco Fuzzy

Pressione e mantenha em baixo o botão Eco Fuzzy durante 1 segundo para ativar a função Eco Fuzzy. Logo a seguir, o frigorífico começará a funcionar no modo mais económico, pelo menos 6 horas depois e o indicador de utilização económica acenderá enquanto a função estiver ativa (🌿). Pressione e mantenha em baixo o botão Eco Fuzzy durante 3 segundos para desativar a função Eco Fuzzy. Este indicador é iluminado após 6 horas quando a função Eco Fuzzy é ativada.

### 9. Botão de definição da temperatura do compartimento do congelador

Prima este botão para ajustar a temperatura do compartimento do congelador para -18,-19, -20,-21,-22,-23, -24,-18... respetivamente. Prima este botão para definir a temperatura pretendida para o compartimento do congelador. (🔧)

### 10. Indicador Icematic off (desligado)

Indica se a função Icematic está ligada ou desligada. (🌊) Se estiver ligada, a função


## Operar com o produto

Icematic não está em operação. Para fazer funcionar o Icematic de novo, pressione e segure o botão On-Off (Ligar/Desligar) durante 3 segundos.



O fluxo de água do reservatório de água será interrompido quando está função for selecionada. No entanto, o gelo já existente pode ser tirado do Icematic.

### 11. Botão da função “Quick Freeze” / Botão Icematic ligado ou desligado

Prima este botão para ativar ou desativar a função de congelamento rápida. Quanto ativar a função, o compartimento do congelador será arrefecido até uma temperatura mais baixa do que o valor definido. 

Para ligar e desligar o Icematic pressione-o e segure-o durante 3 segundos.



Use a função de congelamento rápido quando quiser congelar rapidamente os alimentos colocados no compartimento do frigorífico. Se quiser congelar grandes quantidades de alimentos frescos, ative esta função antes de colocar os alimentos no frigorífico.



Se não a cancelar, a Congelação Rápida cancelar-se-á automaticamente após 4 horas ou quando o compartimento do frigorífico atingir a temperatura pretendida.



Esta função não é reativada quando a energia é restabelecida após alguma falha elétrica.

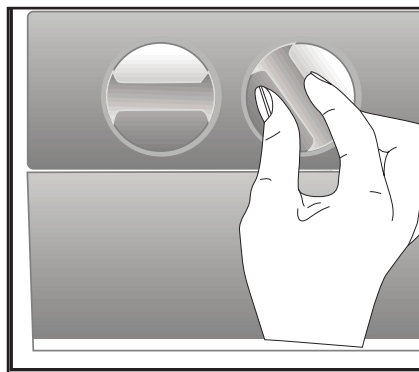
### 5.11. Icematic e caixa de armazenamento de gelo (Opcional)

Encher o icematic com água e colocar no lugar. O gelo estará pronto aproximadamente duas horas depois. Não retirar o icematic para tirar o gelo.

Rodar os botões nas câmaras de gelo do lado direito em 90°, o gelo cairá para a caixa de armazenamento de gelo por baixo. Pode depois retirar a caixa de armazenamento de gelo e servir o gelo.



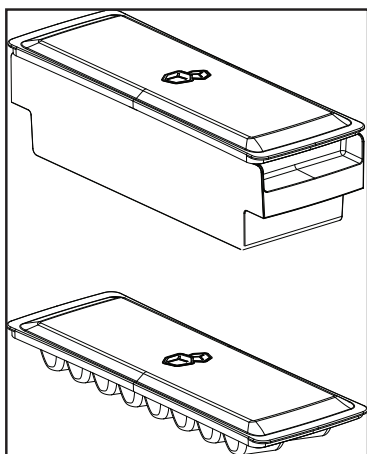
A caixa de armazenamento de gelo é concebida apenas para armazenar gelo. Não encher com água. Isto pode fazer com que se parta.



## Operar com o produto

### 5.12. Recipiente para o gelo

- Remover o depósito do gelo do compartimento de congelamento.
- Encher o depósito com água.
- Colocar o depósito do gelo do compartimento de congelamento. Duas horas mais tarde, o gelo está pronto para usar.
- Remover o depósito do gelo do compartimento de congelamento e dobrá-lo sobre uma placa de serviço. Os cubos de gelo cairão com facilidade para a placa de serviço.



### 5.13. Suporte para ovos

Pode instalar o suporte para ovos na porta pretendida ou na estrutura da prateleira. Se for colocado na estrutura de prateleiras então as prateleiras de refrigeração inferiores são as recomendadas.

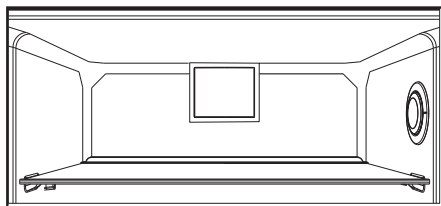


Colocar o depósito do gelo do compartimento de congelamento.

### 5.14. Ventilador

O ventilador tem a finalidade de assegurar uma distribuição homogénea e circulação do ar frio no interior do seu frigorífico. O tempo de funcionamento do ventilador pode variar dependendo das propriedades do seu produto.

Enquanto o ventilador está a funcionar apenas com o compressor nalguns produtos, o sistema de controlo determina o seu tempo de funcionamento em alguns produtos de acordo com os requisitos de refrigeração.



### 5.15. Gaveta para vegetais

A gaveta para vegetais do produto destina-se especialmente a manter os vegetais frescos sem que percam a respetiva humidade. Para este efeito, a circulação de ar frio é intensificada de um modo geral em volta da gaveta para vegetais.

### 5.16. Compartimento refrigerador

**(Esta característica é opcional)**

Usar este compartimento para armazenar produtos delicados que devem ser armazenados a temperaturas baixas ou produtos de carne que devem ser consumidos num curto espaço de tempo. O compartimento refrigerador é o local mais fresco do seu frigorífico onde pode manter os produtos lácteos, carne, peixe e aves nas condições ideais de armazenamento. As frutas e os vegetais não devem ser armazenados neste compartimento.

## Operar com o produto

### 5.17. Usar a segunda gaveta para frutos e legumes do produto;



**Figura 1.**

Conforme mostra a figura, existem 2 retentores na segunda gaveta para frutos e legumes do modelo K70560 do produto.



**Figura 2.**

A segunda gaveta para frutos e legumes fica como na Figura 2 quando fechada.

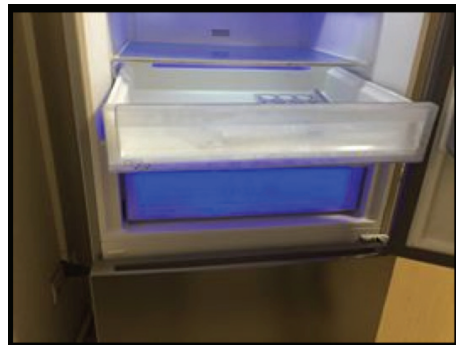


**Figura 3.**

Com a porta aberta a 90°, puxe a segunda gaveta para frutos e legumes até ao primeiro retentor conforme mostra a Figura 3.



Se a gaveta estiver mais aberta, antes de tudo, abra a porta pelo menos a 135°. Depois, conforme mostra a Figura 4, levante a segunda gaveta para frutos e legumes cerca de 5 mm para a libertar do primeiro retentor.



**Figura 4.**

Após levantar, puxe a segunda gaveta até ao segundo retentor, conforme mostra a Figura 5.

**Figura 5.**

## Operar com o produto

### 5.18.Mover a prateleira da porta

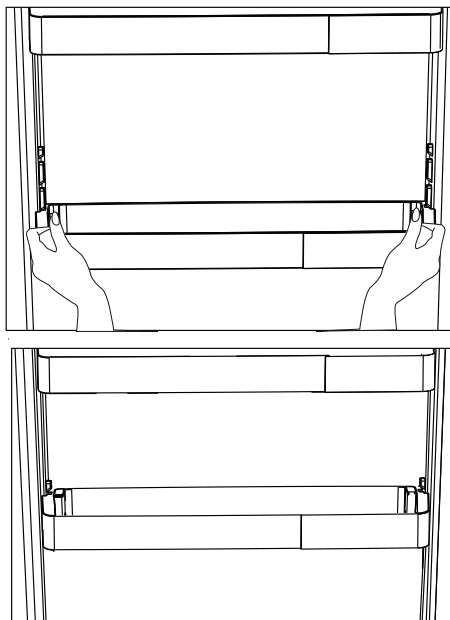
**(Esta característica é opcional)**

Ao mover a prateleira da porta pode fixá-la em 3 posições diferentes.

Premir os botões mostrados nas partes laterais simultaneamente de modo a mover a prateleira. A prateleira deve ser amovível.

Mover a prateleira para cima ou para baixo.

Soltar os botões quando tiver a prateleira na posição desejada. A prateleira deve ser fixada na posição depois de libertar os botões.



### 5.19.HerbBox/HerbFresh

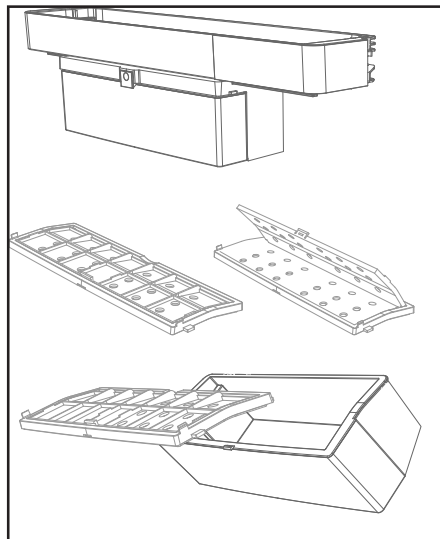
Remover o recipiente da película da HerbBox/HerbFresh+

Remover a película do saco e colocá-la no recipiente da película conforme mostrado na figura.

Fechar novamente o recipiente e voltar a colocá-lo no compartimento HerbBox/HerbFresh+.

Os compartimentos HerbBox/HerbFresh+ são ideais para o armazenamento das várias ervas aromáticas que são supostas serem guardadas em condições delicadas. Pode armazenar as suas ervas aromáticas não embaladas (salsa, endro, etc.) neste compartimento na posição horizontal e poderá assim mantê-las frescas durante muito mais tempo.

A película deve ser substituída em cada seis meses.



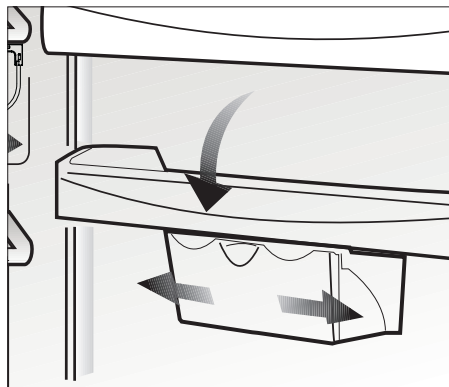


## Operar com o produto

### 5.20. Recipiente de armazenamento deslizante

#### (Esta característica é opcional)

Este acessório é concebido para aumentar o volume de utilização das prateleiras da porta. Permite-lhe com facilidade colocar garrafas mais altas e latas na prateleira de garrafas mais baixas graças à possibilidade de a mover para a direita ou para a esquerda.



### 5.21. Luz azul

#### (Esta característica é opcional)

Este acessório é concebido para aumentar o volume de utilização das prateleiras da porta. Permite-lhe com facilidade colocar garrafas mais altas e latas na prateleira de garrafas mais baixas graças à possibilidade de a mover para a direita ou para a esquerda.

### 5.22. Módulo desodorizador

#### (FreshGuard) \*opcional

O módulo desodorizador elimina rapidamente os maus cheiros do seu frigorífico antes que eles penetrem nas superfícies. Graças a este módulo, que é colocado no teto do compartimento de alimentos frescos, os maus odores dissolvem-se enquanto o ar está a ser passado ativamente no filtro de odores, depois o ar que foi limpo pelo filtro é reemitido para o compartimento de alimentos frescos. Desta forma, os odores indesejados que podem surgir durante o armazenamento dos alimentos no frigorífico são eliminados antes de penetrarem nas superfícies.

Isto é conseguido graças à ventoinha, ao LED e ao filtro de odores integrados no módulo. No uso diário, o módulo desodorizador será ligado automaticamente numa base periódica. Para manter um desempenho eficiente, recomenda-se solicitar ao prestador de assistência técnica autorizado que faça a manutenção do filtro no módulo do desodorizador a cada 5 anos. Devido à ventoinha integrada no módulo, o ruído que ouvirá durante o funcionamento é normal. Se abrir a porta do compartimento de alimentos frescos enquanto o módulo estiver ativo, a ventoinha fará uma pausa temporária e continuará de onde parou algum tempo depois da porta se novamente fechada. Em caso de falha de energia, o módulo do desodorizador retomará de onde parou na duração total de funcionamento quando a energia voltar.

Info: Recomenda-se armazenar alimentos aromáticos (como queijo, azeitonas e alimentos de charcutaria) nas suas embalagens e seladas para evitar odores desagradáveis que podem resultar quando se misturam odores de vários alimentos. Além disso, recomenda-se retirar rapidamente os alimentos estragados do frigorífico para evitar que os outros alimentos fiquem estragados e para se evitar os maus odores.

## Operar com o produto

### 5.23. Gaveta de vegetais com humidade controlada

(FreSHelf)

**(Esta característica é opcional)**

As taxas de humidade dos vegetais e da fruta são mantidas sob controlo com a função de gaveta de vegetais com humidade controlada e os alimentos mantêm-se frescos durante mais tempo.

Recomendamos que coloque os vegetais de folhas como a alface, espinafres e os vegetais que são sensíveis à perda de humidade, na posição horizontal tanto quanto possível dentro da gaveta para vegetais, e não sobre as raízes na posição vertical.

Enquanto os vegetais estão a ser colocados, a gravidade específica dos mesmos deve ser tida em conta. Os vegetais pesados e rijos devem ser colocados na parte de baixo da gaveta para vegetais e os mais leves e macios devem ser colocados por cima.

Nunca deixar os vegetais dentro da gaveta dentro dos sacos. Se os vegetais forem deixados dentro dos sacos respetivos, isso dará origem à decomposição dos mesmos num curto período de tempo. No caso de não se pretender o contacto com outros vegetais por razões de higiene, deve usar papel perfurado ou outro tipo de materiais de embalagem semelhantes em vez do saco. Não colocar juntos peras, alperces, pêsegos, etc. e maçãs em especial as quais têm um elevado nível de geração de gás etileno na mesma gaveta de vegetais com outros vegetais e fruta. O gás etileno que é produzido por estes frutos pode dar origem a que outros frutos amadureçam mais rapidamente e entrem em decomposição num curto espaço de tempo.

### 5.24. Icematic automático

**(Esta característica é opcional)**

O Icematic automático permite-lhe fazer gelo com facilidade no frigorífico. Remover o depósito de água no compartimento do frigorífico, encher com água e instalá-lo novamente para obter gelo a partir do Icematic.

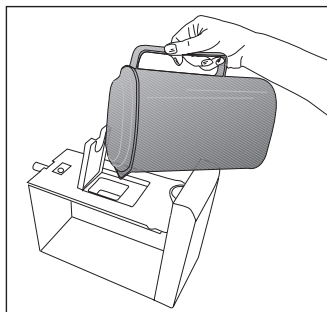
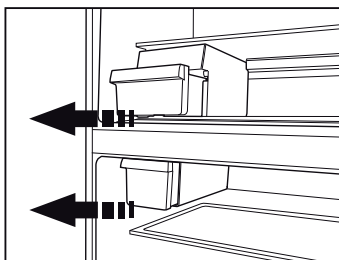
Os primeiros cubos de gelo estarão prontos em aproximadamente 2 horas, na gaveta do Icematic localizada no compartimento do congelador.

Se encher totalmente com água, tem possibilidade de obter aproximadamente 60-70 cubos de gelo.

Substituir a água no depósito da mesma se esta tiver sido colocada no mesmo há cerca de 2-3 semanas.





Para os produtos com Icematic automático, pode ser ouvido um som durante a queda do gelo. Este som é normal e não indício de qualquer erro.




## Operar com o produto

### 5.25.Utilizar a fonte de água fresca

\*opcional



	É normal que a água dos primeiros copos retirados do dispensador esteja quente.
	Se o dispensador de água não for usado durante muito tempo, eliminar os primeiros copos de água para obter água limpa.

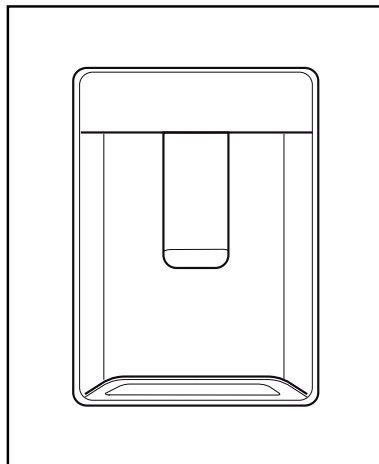
1. Empurrar a alavanca do dispensador de água com o seu copo. Se estiver a usar um copo de plástico macio, empurrar a alavanca com a mão para ser mais fácil.
2. Depois de encher o copo até ao nível pretendido, soltar a alavanca.

	Deve notar que a quantidade do fluxo de água do dispensador depende da velocidade com que solta a alavanca. À medida que o nível de água na sua taça/copo aumenta, reduzir suavemente a quantidade de pressão na alavanca para evitar derramamento. Se pressionar ligeiramente a alavanca, a água pingará, isto é muito normal e não é uma avaria.
---	--


### 5.26.Utilizar a fonte de água fresca

\*opcional

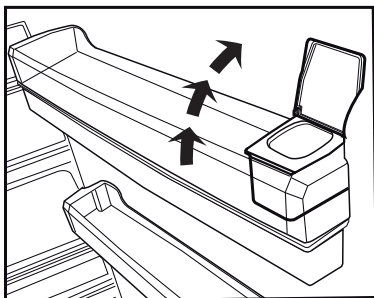
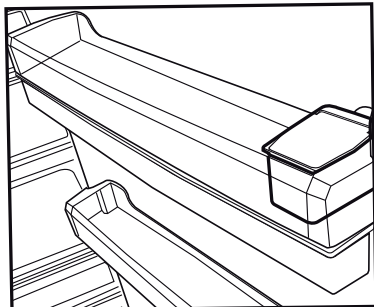
	É normal que a água dos primeiros copos retirados do dispensador esteja quente.
	Se o dispensador de água não for usado durante muito tempo, eliminar os primeiros copos de água para obter água limpa.



1. Empurrar a alavanca do dispensador de água com o seu copo. Se estiver a usar um copo de plástico macio, empurrar a alavanca com a mão para ser mais fácil.
2. Depois de encher o copo até ao nível pretendido, soltar a alavanca.

	Deve notar que a quantidade do fluxo de água do dispensador depende da velocidade com que solta a alavanca. À medida que o nível de água na sua taça/copo aumenta, reduzir suavemente a quantidade de pressão na alavanca para evitar derramamento. Se pressionar ligeiramente a alavanca, a água pingará, isto é muito normal e não é uma avaria.
---	--

## Operar com o produto



### 5.27. Encher o depósito do dispensador de água

O reservatório para enchimento do depósito de água está localizado no interior da estrutura da porta.

1. Abrir a tampa do depósito.
2. Encher o depósito com água potável fresca.
3. Fechar a tampa.



Não encher o depósito de água com qualquer outro líquido exceto água, como sumos de fruta, bebidas gasosas ou bebidas alcoólicas que não são adequadas para usar no dispensador de água. O dispensador de água ficará irremediavelmente danificado se forem usados estes tipos de líquidos. A garantia não cobre estas utilizações. Algumas substâncias químicas e aditivos contido neste tipo de bebidas/líquidos podem danificar o depósito da água.



Usar apenas água potável.



A capacidade do depósito de água é de 3 litros, não encher demasiado.

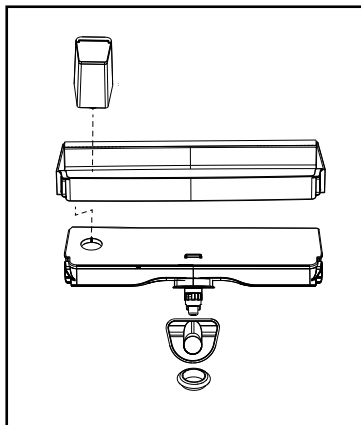
### 5.28. Limpar o depósito de água

1. Remover o reservatório de enchimento de água no interior da estrutura da porta.
2. Remover a estrutura da porta segurando em ambos os lados.
3. Segurar o depósito de água de ambos os lados e removê-lo com um ângulo de 45°C.
4. Remover a tampa do depósito de água e limpar o mesmo.



Os componentes do depósito de água e do dispensador de água não podem ser lavados na máquinas de lavar loiça.

## Operar com o produto

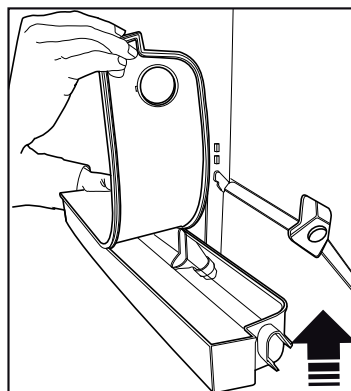
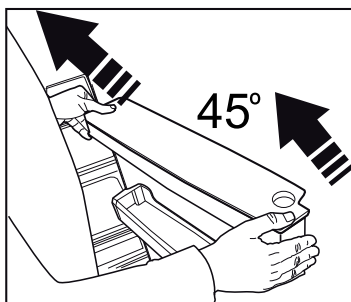
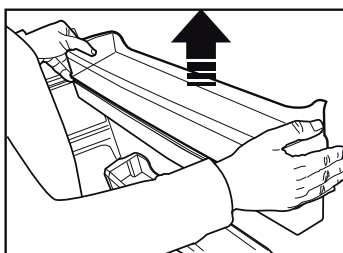
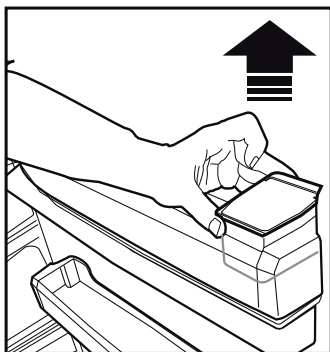
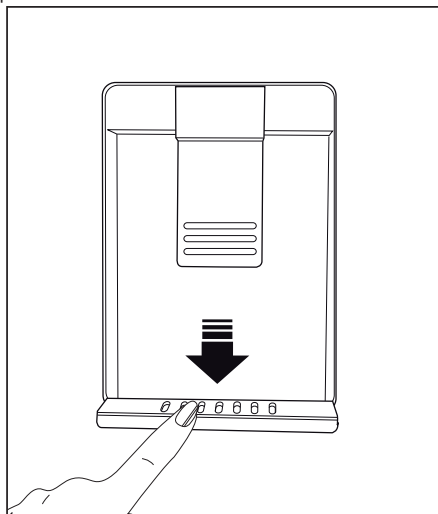


### 5.29. Tabuleiro para gotas de água

A água que pinga enquanto está a usar o dispensador de água acumula-se no tabuleiro para os pingos de água.

Remover o filtro de plástico conforme mostrado na figura.

Com um pano limpo e seco, remover a água que ficou acumulada.



## Operar com o produto

### 5.30. Congelar alimentos frescos

- De modo a preservar a qualidade dos alimentos, estes devem ser congelados tão rapidamente quanto possível quando é colocado no compartimento do congelador, usar a função de congelamento rápido para este efeito.
  - Pode armazenar os alimentos durante mais tempo no compartimento do congelador quando os congela quando ainda estão frescos.
  - Embalar os alimentos a serem congelados e fechar a embalagem de modo a que não haja entrada de ar.
  - Assegurar que embala os seus alimentos antes de os colocar no congelador. Usar recipientes para congelamento, papel de alumínio e papel à prova de humidade, sacos de plástico ou materiais de embalagem semelhantes, em vez do papel de embalagem tradicional.
  - Etiquetar cada uma das embalagens adicionando a data antes de congelar. Pode distinguir a frescura de cada embalagem de alimentos de cada vez que abre o congelador. Armazenar os alimentos congelados na parte frontal do compartimento para assegurar que são os primeiros a serem utilizados.
- Os alimentos congelados têm de ser usados imediatamente depois de terem sido descongelados e não devem ser congelados novamente.
  - Não congelar grandes quantidades de alimentos de uma só vez.



O compartimento do congelador descongela automaticamente.

Definições do Compartimento Congelador	Definições do compartimento frigorífico	Observações
-18°C	4°C	Esta é a definição normal recomendada.
-20,-22 ou -24°C	4°C	Estas definições são recomendadas para temperaturas ambientes excedendo 30°C.
Congelamento Rápido	4°C	Usar quando pretender congelar os seus alimentos num curto espaço de tempo. O seu produto voltará ao modo anterior quando o processo termina.
-18°C ou mais frio	2°C	Usar estas definições se achar que o compartimento do seu frigorífico não estiver suficientemente frio devido às condições ambientais quentes ou à abertura e fecho frequente da porta.

## Operar com o produto

### 5.31. Recomendações para preservar alimentos congelados

O compartimento deve estar colocado a  $-18^{\circ}\text{C}$  no mínimo.

1. Colocar as embalagens no congelador o mais rapidamente possível depois da compra sem permitir que descongelem.
2. Verificar se as datas de “Usar por” e “Validade” na embalagem já estão expiradas ou não antes de o congelar.
3. Assegurar que a embalagem dos alimentos não está danificada.

### 5.32. Informação do congelador

De acordo com as normas IEC 62552, o produto deve congelar pelo menos 4,5 kg de alimentos a  $25^{\circ}\text{C}$  de temperatura ambiente para  $-18^{\circ}\text{C}$  ou mais baixa em 24 horas por cada 100 litros de volume do congelador.

É possível preservar os alimentos durante um longo período de tempo apenas a  $-18^{\circ}\text{C}$  ou temperaturas mais baixas.

Pode manter a frescura dos alimentos durante muitos meses (a  $-18^{\circ}\text{C}$  ou temperaturas mais baixas na congelação profunda).

Os alimentos a serem congelados não devem entrar em contacto com itens anteriormente congelados para evitar que fiquem parcialmente descongelados. Ferver os vegetais e esvaziar a respetiva água de modo a guardar os vegetais congelados durante um longo período de tempo. Depois de esvaziar a respetiva água, colocá-los em embalagens de vácuo e colocar as mesmas dentro do congelador. Alimentos como as bananas, tomates, alface, aipo, ovos cozidos, batatas não são adequados para congelar. Quando estes alimentos são congelados, somente é afetado negativamente o seu valor nutricional e o seu sabor. Não devem deteriorados de modo que não criem situações de risco para a saúde humana.

### 5.33. Colocar alimentos

Prateleiras do compartimento congelador	Vários produtos congelados, incluindo carne, peixe, gelado, vegetais, etc.
Prateleiras do compartimento refrigerador	Alimentos em frigideiras, pratos com tampa e recipientes fechados, ovos (em recipiente fechado)
Prateleiras da porta do compartimento do frigorífico	Alimentos pequenos e embalados ou bebidas
Gaveta para vegetais	Vegetais e fruta
Compartimento de alimentos frescos	Charcutaria (pequeno almoço, produtos de carne a serem consumidos a curto prazo)

### 5.34. Botão para abrir a porta

#### (Esta característica é opcional)

O aviso de abertura da porta é dado ao utilizador tanto visual como acusticamente. Se o aviso continuar durante 10 minutos, as luzes no interior desligar-se-ão.

### 5.35. Mudar a direção da abertura da porta

A direção da abertura da porta do seu refrigerador pode ser alterada conforme o local em que o está a utilizar. Se isto for necessário, deve contactar o Serviço Autorizado mais próximo.

A descrição acima é uma informação geral. Para informação sobre como alterar a direção da abertura da porta, deve consultar o rótulo de advertência localizado no lado de dentro da porta.

### 5.36. Lâmpada de iluminação

As lâmpadas LED são usadas como lâmpadas de iluminação. Contactar o serviço autorizado no caso de surgir algum problema com este tipo de luz. A(s) lâmpada(s) usada(s) neste aparelho não são adequadas para iluminação de salas domésticas. O fim adequado desta lâmpada é ajudar o utilizador a colocar produtos alimentares no frigorífico/ congelador de forma segura e confortável.

## 6 Manutenção e limpeza

A vida útil do produto aumenta se este for limpo regularmente.



**ADVERTÊNCIA:** Desligar em primeiro lugar o produto antes de limpar o frigorífico.

- Nunca usar para a limpeza utensílios afiados e abrasivos, detergente, soluções de limpeza doméstica, cera para polir.
- Dissolver uma colher de chá de carbonato em meio litro de água. Embeber um pano com a solução e torcê-lo totalmente. Limpar o interior do aparelho com este pano e secar totalmente.
- Assegurar que não entra água no compartimento da lâmpada e de outros itens elétricos.
- Limpar a porta usando um pano húmido. Para remover a porta e a estrutura das prateleiras, remover todo o seu conteúdo. Remover as prateleiras da porta movendo-as para cima. Depois de limpar, desligar as mesmas do topo para a base para as instalar.
- Nunca usar soluções de limpeza ou água que contenha lexívia para limpar as superfícies exteriores e as partes cromadas do produto. A lexívia dá origem a corrosão nas referidas superfícies metálicas.

### 6.1. Evitar maus odores

Os materiais que podem causar odores não são usados na produção dos nossos equipamentos. No entanto, devido a condições deficientes de conservação de alimentos e à não limpeza da superfície interior do aparelho conforme é necessário, isso pode dar origem ao problema do odor.

Portanto, limpar o frigorífico com carbonato dissolvido em água em cada duas semanas.

- Manter os alimentos em recipientes fechados. Os microorganismos espalham-se a partir dos recipientes não tapados e podem dar origem a odores desagradáveis.
- Nunca guardar alimentos no frigorífico com a data de validade ultrapassada ou se estiverem estragados.

### 6.2. Proteger superfícies de plástico

Limpar imediatamente com água morna dado o óleo poder causar danos na superfície quando é derramado sobre superfícies plásticas.

### 6.3. Vidros da Porta

Retirar toda a película de proteção dos vidros.

Há um revestimento nas superfícies de vidro. Este revestimento minimiza a formação de manchas e ajuda a remover as possíveis manchas e sujidade com facilidade. Os vidros que não estão protegidos com o referido revestimento podem estar sujeitos à pressão persistente de sujidade orgânica ou inorgânica baseada em água ou ar como o calcário, sais minerais, hidrocarbonetos não queimados, óxidos de metal e silicões que podem fácil e rapidamente causar manchas ou danos no material. Manter o vidro limpo torna-se muito difícil apesar da limpeza regular. Consequentemente, o aspeto e a transparência do vidro deteriora-se. Métodos e compostos de limpeza abrasivos e corrosivos intensificarão estes defeitos e acelerarão o processo de deterioração.

Têm de ser usados produtos de limpeza baseados em água que não são alcalinos e corrosivos para a limpeza regular.

Têm de ser usados materiais não alcalinos e não corrosivos para a limpeza de modo que a vida útil deste revestimento dure durante um longo período de tempo. Estes vidros são temperados para aumentar a sua durabilidade contra impactos e quebra. É igualmente aplicada uma película de segurança nas respetivas superfícies traseiras como medida suplementar de modo a impedir que causem danos à sua volta no caso de uma quebra.

“Álcali é uma base que forma os iões de hidróxido (OH<sup>-</sup>) quando é dissolvido na água.

Li (Lítio), Na (Sódio), K (Potássio) Rb (Rubídio), Cs (Césio) e metais artificiais e radioativos Fr (Fân-sium) são designados por METAIS ALCALINOS.



Verificar a lista antes de contactar a assistência. Fazer isto poupa-lhe tempo e dinheiro. Esta lista inclui queixas frequentes que não estão relacionadas com o fabrico ou materiais defeituosos. Certas características mencionadas neste documento podem não ser aplicáveis ao seu produto.

O frigorífico não está a funcionar.

- A ficha de alimentação não está totalmente ajustada. >>> Ligá-la para a ajustar completamente à tomada.
- O fusível ligado à tomada de ligação do produto ou o fusível principal está queimado. >>> Verificar os fusíveis.

Condensação na parede lateral do compartimento refrigerador (ZONA MÚLTIPLA, ZONA DE FRESCOS, CONTROLO e FLEXIVEL).

- A porta é aberta com muita frequência >>> Ter cuidado para não abrir a porta do produto tão frequentemente.
- O ambiente está demasiado húmido. >>>> Não instalar o produto em ambientes húmidos.
- Alimentos contendo líquidos estão colocados em recipientes não fechados. >>> Manter os alimentos contendo líquidos em recipientes fechados.
- A porta do produto foi deixada aberta. >>> Não manter a porta do produto aberta por períodos longos.
- O termostato está definido para temperatura demasiado baixa. >>> Definir o termostato para temperatura adequada.

O compressor não está a funcionar.

- Em caso de falta de energia repentina ou retirar a ficha de alimentação e colocar de novo, a pressão do gás no sistema de refrigeração do produto não é equilibrada, o que desencadeia a salvaguarda térmica do compressor. O produto voltará a ligar-se depois de aproximadamente 6 minutos. Se o produto não se voltar a ligar depois deste período, contactar a assistência.
- Descongelação está activa. >>> Isto é normal para um produto de descongelação totalmente automática. A descongelação é executada periodicamente.
- O produto não está ligado. >>> Assegurar que o cabo de alimentação está ligado.
- A definição de temperatura é incorrecta. >>> Seleccionar a definição de temperatura adequada.
- Não há energia. >>> O produto continuará a funcionar normalmente assim que a energia seja restabelecida.

O ruído de funcionamento do frigorífico aumenta durante a utilização.

- O desempenho de funcionamento do produto pode variar dependendo das variações de temperatura do ambiente. Isto é normal e não é um mau funcionamento.

O frigorífico funciona muito frequentemente ou por muito tempo.

## Resolução de problemas

- O novo produto pode ser maior do que o anterior. Produtos maiores funcionam por períodos mais longos.
- A temperatura da sala pode ser elevada. >>> O produto funcionará normalmente por períodos mais longos com temperaturas de sala mais elevadas.
- O produto foi ligado recentemente ou foi colocado no interior um novo alimento. >>> O produto levará mais tempo a atingir a temperatura definida quando recentemente ligado ou quando é colocado um novo alimento no interior. Isto é normal.
- Grandes quantidades de alimentos quentes podem ter sido colocadas recentemente no produto. >>> Não colocar alimentos quentes no produto.
- As portas foram abertas frequentemente ou deixadas abertas por períodos longos. >>> O ar quente que se move no interior fará o produto funcionar mais tempo. Não abrir as portas com demasiada frequência.
- A porta do congelador ou refrigerador pode estar entreaberta. >>> Verificar se as portas estão completamente fechadas.
- O produto pode estar definido para temperatura demasiado baixa. >>> Definir a temperatura para um grau mais elevado e aguardar que o produto atinja a temperatura ajustada.
- A junta da porta do congelador ou refrigerador pode estar suja, desgastada, partida ou não ajustada adequadamente. >>> Limpar ou substituir a junta. A junta da porta danificada / cortada fará o produto funcionar por períodos mais longos para preservar a temperatura actual.

A temperatura do congelador está muito baixa, mas a temperatura do refrigerador é adequada.

- A temperatura do compartimento de congelação está definida para um grau muito baixo. >>> Definir a temperatura do compartimento de congelação para um grau mais elevado e verificar de novo.

A temperatura do refrigerador está muito baixa, mas a temperatura do congelador é adequada.

- A temperatura do compartimento de refrigeração está definida para um grau muito baixo. >>> Definir a temperatura do compartimento de refrigeração para um grau mais elevado e verificar de novo.

Os alimentos guardados em gavetas do compartimento de refrigeração estão congelados.

- A temperatura do compartimento de refrigeração está definida para um grau muito baixo. >>> Definir a temperatura do compartimento de congelação para um grau mais elevado e verificar de novo.

A temperatura no refrigerador ou congelador é demasiado elevada.

- A temperatura do compartimento de refrigeração está definida para um grau muito elevado. >>> A definição de temperatura do compartimento de refrigeração influencia a temperatura do compartimento de congelação. Altere a temperatura do compartimento de refrigeração ou congelação e espere até que os referidos compartimentos atinjam o nível de temperatura ajustado.
- As portas foram abertas frequentemente ou deixadas abertas por períodos longos. >>> Não abrir as portas com demasiada frequência.
- A porta pode estar entreaberta. >>> Fechar completamente a porta.
- O produto foi ligado recentemente ou foi colocado no interior um novo alimento. >>> Isto é normal. O produto levará mais tempo a atingir a temperatura definida quando recentemente ligado ou um novo alimento é colocado no interior.
- Grandes quantidades de alimentos quentes podem ter sido colocadas recentemente no produto. >>> Não colocar alimentos quentes no produto.

Vibração ou ruído.

## Resolução de problemas

- O chão não está nivelado ou não é resistente. >>> Se o produto vibra quando movido lentamente, ajustar os pés para equilibrar o produto. Assegurar também que o chão é suficientemente resistente para suportar o produto.
- Alguns itens colocados no produto podem causar ruídos. >>> Retirar alguns itens colocados no produto.

O produto está a fazer ruído de líquido a fluir, pulverização, etc.

- Os princípios de funcionamento do produto incluem fluídos líquidos e gasosos. >>> Isto é normal e não um mau funcionamento.

Há som de vento a soprar proveniente do produto.

- O produto usa uma ventoinha no processo de refrigeração. Isto é normal e não é um mau funcionamento.

Há condensação nas paredes internas do produto.

- Meio ambiente quente ou húmido aumentará a formação de gelo e condensação. Isto é normal e não é um mau funcionamento.
- As portas foram abertas frequentemente ou deixadas abertas por períodos longos. Não abrir as portas com demasiada frequência; se aberta, fechar a porta.
- A porta pode estar entreaberta. >>> Fechar completamente a porta.

Há condensação no exterior do produto ou entre as portas.

- O meio ambiente pode estar húmido, isto é perfeitamente normal com tempo húmido. >>> A condensação dissipa quando a humidade diminuir.

O interior cheira mal.

- O produto não é limpo regularmente. >>> Limpar o interior regularmente usando uma esponja, água quente e água com carbonato.
- Alguns recipientes e materiais de embalagem podem provocar odores. >>> Usar recipientes e materiais de embalagem isentos de odor.
- Os alimentos foram colocados em recipientes não vedados. >>> Manter os alimentos em recipientes fechados. Os microrganismos podem disseminar-se dos alimentos não fechados e causar mau cheiro.
- Retirar quaisquer alimentos fora de prazo e estragados do frigorífico.

A porta não está a fechar.

- Embalagens de alimentos podem bloquear a porta. >>> Recolocar quaisquer itens que bloqueiem as portas.
- O produto não está colocado em posição vertical no chão. >>> Ajustar os pés para equilibrar o produto.
- O chão não está nivelado ou não é resistente. >>> Assegurar que o chão é nivelado e suficientemente resistente para suportar o produto.

A gaveta para vegetais está presa.

- Os alimentos podem estar em contacto com a secção superior da gaveta. >>> Reorganizar os alimentos na gaveta.

Se a superfície do produto estiver quente.

- Podem notar-se temperaturas elevadas entre as duas portas, nos painéis laterais e na grelha traseira quando o produto está a funcionar. Esta situação é normal e não exige serviço de manutenção!



**RECOMENDAÇÕES:** Se os problemas persistirem depois de seguir as instruções nesta secção, contactar o seu vendedor ou uma Assistência Autorizada. Não tentar reparar o produto.



58 0940 0000/AJ  
4/4  
PT



[www.beko.com](http://www.beko.com)