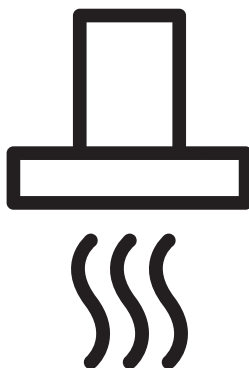




Cooker Hood

User Manual



HCA62641BH - HCA62641WH

EN - DE - FR



01M-8891873200-2223-08
01M-8891863200-2223-08

CONTENTS

ENGLISH	3-17
DEUTSCH	18-35
FRANÇAIS	36-51

Please read this user manual first!

Dear Valued Customer,

Thank you for preferring this Beko appliance. We hope that you get the best results from your appliance which has been manufactured with high quality and state-of-the-art technology. For this reason, please read this entire user manual and all other accompanying documents carefully before using the appliance and keep it as a reference for future use. If you handover the appliance to someone else, give the user manual as well. Follow the instructions by paying attention to all the information and warnings in the user manual.

Remember that this user manual may also apply to other models. Differences between models are explicitly described in the manual.

Meanings of the Symbols

Following symbols are used in various sections of this user manual:



Important information and useful hints about usage.



WARNING: Warnings against dangerous situations concerning the security of life and property.



WARNING: Warning for danger of fire.



WARNING: Warning for electric shock.

1 Important safety and environmental instructions

1.1 General safety

Important Safety Instructions Read Carefully And Keep For Future Reference This section contains safety instructions that will help protect from risk of fire, electric shock, exposure to leak microwave energy, personal injury or property damage. Failure to follow these instructions shall void any warranty.

- Beko products comply with the applicable safety standards; therefore, in case of any damage on the appliance or power cable, it should be repaired or replaced by the dealer, service center or a specialist and authorized service alike to avoid any danger. Faulty or unqualified repair work may be dangerous and cause risk to the user.
- This appliance is intended to be used in household and similar applications such as:
 - Staff kitchen areas in shops, offices and other working environments;
 - Farm houses
 - By clients in hotels, and other residential type environments;
 - Bed and Breakfast type environments.
- Operate the appliance for its intended purpose only as described in this manual.
- The manufacturer cannot be held liable for damages resulting from improper installation or misuse of the product.
- This appliance can be used by children aged from 8 years and above and persons with reduced physical, sensory or mental capabilities or lack of experience and knowledge if they have been given supervision or instruction concerning use of the appliance in a safe way and understand the hazards involved.
- Children shall not be allowed play with the appliance. Cleaning and user maintenance shall not be made by children without supervision.
- The minimum distance between the supporting surface for the cooking vessels on the hob and the lowest part of your product must be at least 50 cm.

1 Important safety and environmental instructions

- If the instructions for installation for the gas hob specify a greater distance, this has to be taken into account.
 - Make sure that your mains power supply complies with the information supplied on the rating plate of the appliance.
 - Never use the appliance if the power cable or the appliance itself is damaged.
 - Prevent damage to the power cable by not squeezing, bending, or rubbing it on sharp edges. Keep the power cable away from hot surfaces and naked flame.
 - Use the appliance with a grounded outlet only.
- WARNING:** Do not connect the appliance to the mains until the installation is fully complete.
- Place the appliance in a way so that the plug is always accessible.
 - Do not touch the lamps if they have operated for a long time. They can burn your hands since they will be hot.
 - Follow the regulations set out by competent authorities on discharge of the exhaust air (this warning is not applicable for use without flue).
 - Operate your appliance after putting a pot, pan etc. on the hob. Otherwise, high heat may cause deformation in some parts of your product.
 - Turn off the hob before taking the pot, pan etc. from it.
 - Do not leave hot oil on the hob. Pans with hot oil may cause self combustion.
 - Pay attention to your curtains and covers since oil may catch fire while cooking food such as fries.
 - Grease filter must be cleaned at least monthly. Carbon filter must be replaced at least every 3 months.
 - Product shall be cleaned accordance with user manual. If cleaning was not carried out in accordance with user manual, there may be fire risk.
 - Do not use non-fire-resistant filtering materials instead of the current filter.
 - Only use the original parts or parts recommended by the man-

1 Important safety and environmental instructions

ufacturer.

- Do not operate the product without the filter and do not remove the filters while the product is running.
- In the event of be started any flame, de-energize your product and cooking appliances.
- In the event of be started any flame, cover the flame and never use water to extinguish.
- Unplug the appliance before each cleaning and when the appliance is not in use.
- The negative pressure in the environment should not exceed 4 Pa (4x10 bar) while the hood for electric hob and appliances running on another type of energy but electricity operate simultaneously.
- In the environment where the appliance is being used, the exhaust of devices running on fuel oil or gas, such as room heater must be absolutely isolated or device must be hermetical type.
- When connecting the flue, use pipes with a diameter of 120 or 150 mm. Pipe connection must be as short as possible and have

as few elbows as possible.

- Danger of choking! Keep all the packaging materials away from children.

CAUTION: Accessible parts may become hot when used with cooking appliances.

- The product outlet must not be connected to air channels that include other smoke.
- The ventilation in the room may be insufficient when the hood for electric hob is used simultaneously with the devices operating on gas or other fuels (this may not apply to appliances that only discharge the air back into the room).
- Objects placed on the product may fall. Do not place any objects on the product.
- Do not flambe under the your product.

WARNING: Before installing the Hood, remove the protective films.

- Never leave high naked flames under the hood when it is in operation
- Deep fat fryers must be continuously monitored during use:

1 Important safety and environmental instructions

overheated oil can burst into flames.

1.2 Compliance with the WEEE Directive and Disposing of the Waste Product:

This product complies with EU WEEE Directive (2012/19/EU). This product bears a classification symbol for waste electrical and electronic equipment (WEEE).



This symbol indicates that this product shall not be disposed with other household wastes at the end of its service life. Used device must be returned to official collection point for recycling

of electrical and electronic devices. To find these collection systems please contact to your local authorities or retailer where the product was purchased. Each household performs important role in recovering and recycling of old appliance. Appropriate disposal of used appliance helps prevent potential negative consequences for the environment and human health.

1.3 Compliance with RoHS Directive

The product you have purchased complies with EU RoHS Directive (2011/65/EU). It does not contain harmful and prohibited materials specified in the Directive.

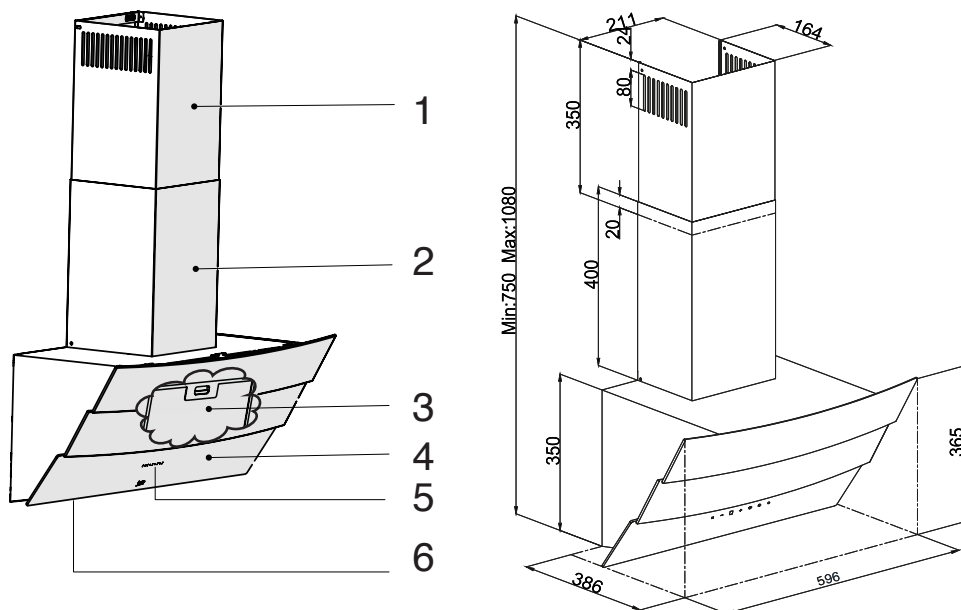
1.4 Package Information



Packaging materials of the product are manufactured from recyclable materials in accordance with our National Environment Regulations. Do not dispose of the packaging materials together with the domestic or other wastes. Take them to the packaging material collection points designated by the local authorities.

2 General appearance

2.1 Overview







1. Inner chimney
2. Outer chimney
3. Grease filter (Behind glass cover)
4. Glass cover
5. Control panel
6. Lighting

2.2 Technical Data

Model	HCA62641BH HCA62641WH
Supply voltage & Frequency	220-240V ~ 50 Hz
Lamp Power	2 x 3 W
Motor Power	210 W
Flow rate – 3. Level	638 m ³ /h
Insulation Class of Motor	Class F
Insulation Class	Class I

3 Operation of the appliance

3.1 Controlling the Appliance

			
A	B	C	D
KEY	FUNCTION		
A : Light On / Off	You may illuminate the cooking area by pressing this button. Re-press the button to turn off the lamp.		
B : 1. Stage Button	Operates the appliance on 1st speed. When you press this button again to turn off the appliance, the screen speed stage turns off.		
C : 2. Stage Button	Operates the appliance on 2nd speed. When you press this button again to turn off the appliance, the screen speed stage turns off.		
D : 3rd Stage Button	Operates the appliance on 3rd speed. When you press this button again to turn off the appliance, the screen speed stage turns off.		

3.2 Energy efficient usage

- When using your appliance, adjust the speed settings according to vapour and odour intensity, in order to save energy.
- Use low speeds (1-2) under normal conditions, and high speed (3) for intense odour and vapour.
- The lamps on the hood are placed for illuminating the cooking area.
- Using them for environmental lighting shall cause unnecessary energy expenditure and insufficient lighting.

3.3 Operating the hood

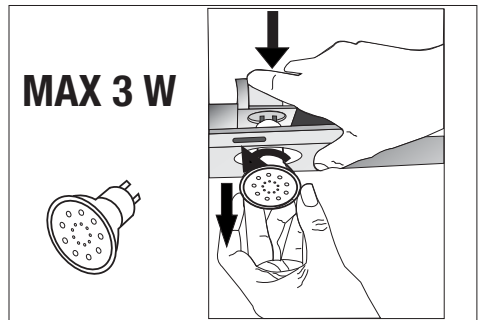
- Your appliance contains a motor that has various speeds.
- For better performance, we recommend using low speeds under normal conditions and high speeds in cases of strong odours and intense vapour.

- You can start your appliance by pressing on the desired speed setting button. (B, C, D).
- You may illuminate the cooking area by pressing the lamp (A).

3.4 Automatic stop


Your appliance has Automatic Stop feature, enabling it to ventilate for a bit more and remove the unwanted odours and vapour inside the environment and turn off automatically after the cooking is done. To enable Automatic Stop feature, press the any speed stage button (B, C, D) on the control panel for longer than 2 seconds; the 15-minute timer function shall be activated. When the automatic stop feature is active, pressing the same speed button shall disable the automatic stop function and the appliance's motor shall stop. This feature is disabled when you switch between different speed stages. If you want the appliance to stop automatically, you need to enable the automatic stop feature again.

3.5 Replacement of Lamp



Make the electrical connections of the appliance. Your appliance uses 3W spot LED lamp. For replacing the lamps, push downwards on the holder from its behind, turn it counter-clockwise, and take it out downwards. Apply the above operation in reverse to install new lamps.

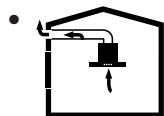
3 Operation of the appliance

Bulb	
Bulb Power	3 W
Holder / Socket	GZ 10
Bulb Voltage	220 - 240 V
Size	53 x 50 mm
ILCOS Code	DR/F3-220-240-GZ10-50-53
Luminous flux	260 lm
Correlated colour temperature	3000 K

- Replace Grease filter.

This product contains a light source of energy efficiency class “F”.

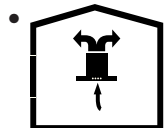
3.6 Operation with chimney connection



Vapour is extracted through the flue duct, which is fastened to the connection head on the hood.

- The diameter of the flue duct must be the same as the connection ring. In horizontal settings, the pipe has to have a slight upward slope (around 10°) so that the air can exit the room easily.

3.7 Operation without chimney connection



Air is filtered through the carbon filter and recirculated in the room. Carbon filter is used when it is impossible to use a flue in the house.

- In flueless use, remove the flaps inside the flue adapter.
- Remove the Grease filter. To install the carbon filter, fit the filter to the tabs by centring it on the plastic piece on both sides of the fan body, tighten it by turning right or left.

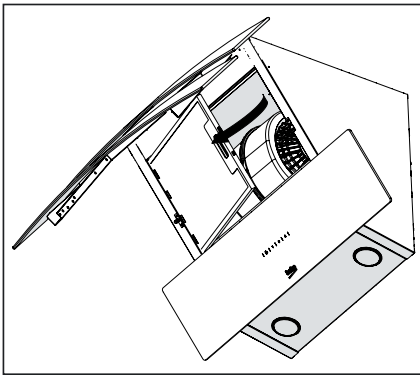
4 Cleaning and maintenance



Before cleaning and maintenance, unplug the product or turn off the switch.

4.1 Cleaning of the grease filter

This filter retains the oil particles in the air. Grease filter may change colour as they are washed; this is normal and does not require replacing your grease filter.



- Push the grease filter lock forward.
- Then pull it slightly down and pull it out. Otherwise, you can bend the filter. Wash and rinse Grease filter with liquid detergent and replace grease filter to their sockets by by carrying out the steps specified above in reverse order. This filter retains the oil particles in the air.



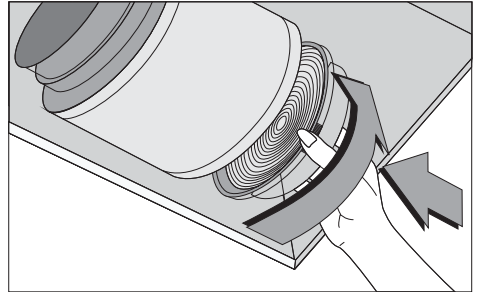
You may wash your grease filter in the dishwasher.



CAUTION: In case of normal use, clean your filter once in a month.

4.2 Replacement of carbon filters

Odour removing filters contain charcoal (Active carbon). Grease filter must be installed in the product, regardless of whether or not carbon filters are used.



- Remove the grease filter.
- To remove the carbon filter, remove the carbon filter from its housing by rotating it counter-clockwise from the tab.
- Install the new carbon filter.
- Install the grease filter.

CAUTION



- Carbon filter shall never be washed.
- Replace carbon filters once every 3 months.
- You can obtain the carbon filter from the authorized services.

5 Installation of appliance



WARNING: Before starting the installation, read the safety information on user manual.

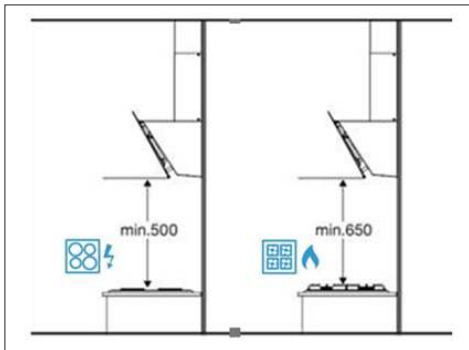


WARNING: Failure to install with screws and stabilizers in accordance with these instructions may result in electric shock.

For the installation of the hood, please contact the nearest Authorized Service.

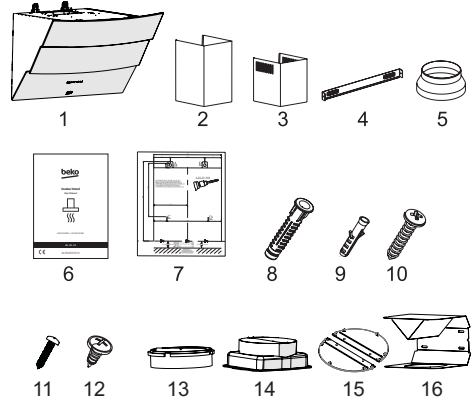
It is the customer's responsibility to prepare the location and electrical installation of the hood.

5.1 Position of the appliance



- In all cooker hood types, the installation distance on Gas hob and Electric hob is min 650 mm. For **inclined cooker hoods** only, the installation distance on the **electric hob** is min 500 mm.
- Distance must be measured from the surface of grate for gas cookers, from surface of glass for electric cookers.

5.2 Installation Accessories



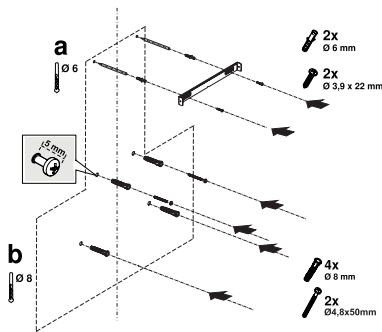
1. Product
2. Outer chimney
3. Inner chimney
4. Flue Connection Plate
5. Ø150/120mm Flue Adapter
6. User Manual
7. Assembly Pattern
8. 4x Ø8mm Plastic Dowel
9. 6x Ø6mm Plastic Dowel
10. 4x 4.8x50 Wall Mount Screw
11. 6x 3.9x22 Flue Connection Plate Screw
12. 4x 3.5x9.5 Flue Connection Screw
13. Ø120mm Flue Adapter
14. Ø150mm Plastic Flue Adapter (Option)
15. Metal Chimney Clamp
16. Air Baffle

The information required to make the location suitable for the installation of the hood is given below.

5 Installation of appliance

5.3 Wall Mounting

- Wall must be flat, straight and have the sufficient bearing capacity.
- Depth of drilling holes must comply with the length of bolts.
- The bolts and dowels provided are suitable for brick walls. For other construction material (e.g. drywall, plate, porous concrete), suitable fixing dowels and nuts shall be used.



(Figure 1)

CAUTION: Before drilling, ensure that there are no power, gas or water pipes in the close proximity of the drilling locations.

Draw a mid location line from the ceiling perpendicular to the lower edge of the hood.

Paste the installing template provided within the accessories on the surface where the hood is to be mounted. In doing this operation, observe the mounting height of the hood.

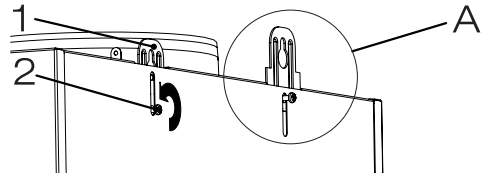
There is a tab in the middle of the Chimney connection plate. Place the middle point of this tab on the line that is drawn perpendicular to the wall. In doing this operation, adjust the hood according to the maximum height. Mark the holes where the Chimney connection plate will be mounted with the help of a pen (Figure 1/a).

Drill the marked points with $\varnothing 6\text{mm}$ drill and insert 2 plastic dowels in the drilled holes (Figure 1/a).

Fix the chimney connection plate to the wall with 3,9x22 screws (Figure 1/a).

To assemble the hood body, you can use the $\varnothing 8\text{mm}$ drill bit to drill points A, B, C, D on the assembly template, and insert 4.8x50mm plastic dowels at these points. (Figure 1/b).

2 piece 4.8x50 suspension screw with a clearance of 5 mm between the screw head and the wall (Figure 1/b).



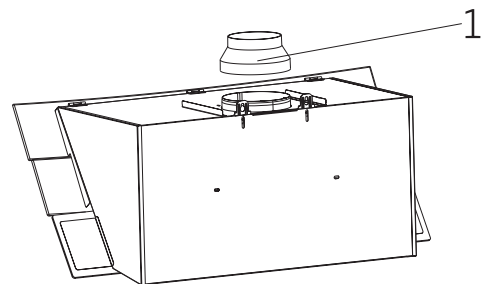
(Figure 2)

1. Hanger Plate

2. Hanging Plate Connection Screw

In order to install your hood to the wall, loosen the screws on the hanger plates mounted on the motor cabin and pull them up, and then fasten again (Figure 2/A).

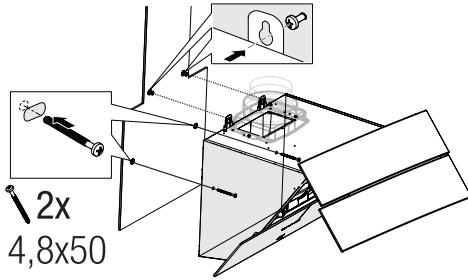
Turn on the suction glass of the hood and remove the grease filter.



(Figure 3)

If the air outlet is to be connected to the air discharge duct smaller than 150mm, install the 150 / 120mm plastic flue adapter (Figure 3).

5 Installation of appliance

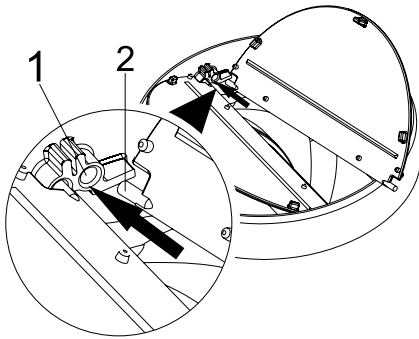


(Figure 4)

Hold the cooker hood by its body and place it on the mounting screws on the wall and tighten the screws (Figure 4).

Secure the cooker hood with two 4.8x50 screws to the wall through the mounting hole on the interior of the appliance (Figure 4).

5.4 Connecting to Chimney



(Figure 5)

1. Flap Pin Socket

2. Flap Pin

Insert the plastic pin (Figure 5/area no. 2) on the pin socket on the motor exhaust (Figure 5/area no.1). Then bend the flap lightly to insert the other pin on the flap and insert the other pin to its socket (Figure 5).

If you are going to use the \varnothing 120/150 mm plastic Chimney adapter, connect one end of the pipe to

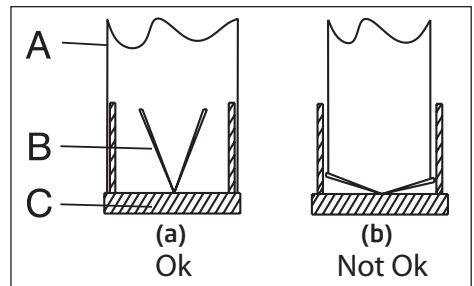
this adapter, if you are not going to use it, to the direct output on the product. Connect the other end of the pipe to your chimney. Check that these two connections are tight enough so they will not come out when the appliance runs on full power. Ensure that the flaps inside the chimney work when tightened with clamp. Connect the chimney connection duct outside the adapter (Figure 6/a). If the connection duct is fitted inside the adapter, suction of air shall not occur as the Chimney flap that prevents the return of air will remain closed (Figure 6/b). The length of the pipe connection as well as the number of elbows must be as minimum as possible.

A : Chimney exit pipe

B : Chimney Clamps

C: Plastic Chimney

The valves are closed then the appliance is not operating and prevent possible outside odour and dust from entering inside.



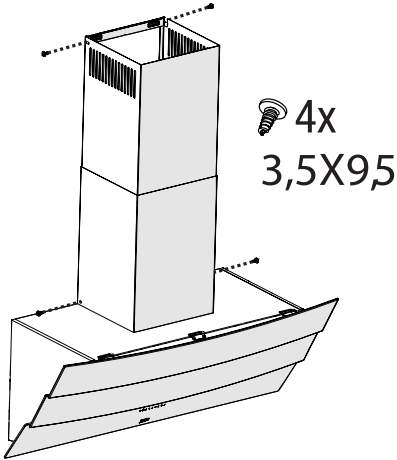
(Figure 6)

5.5 Installation of the Hood to the chimney

Make the electrical connection of your hood before starting the installation of the chimney. Slip the chimney plates around the body. Screw the chimney to the chimney fastening plates available on the motor cabin. (Figure 7).

5 Installation of appliance

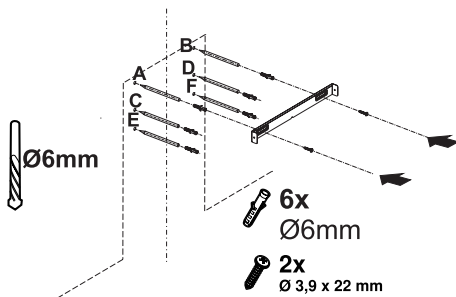
Install the chimney to the chimney fastening plate that is secured to the wall from its upper outer edges (Figure 7).



(Figure 7)

5.6 Installation of air baffle

While using with the carbon filter, air baffle is provided with your appliance with the aim of re-releasing the air which is cleaned with carbon filter from the perforated located on the chimney. Assemble the air baffle as below.



(Figure 8)

There is a tab in the middle of the chimney connection plate. Place the middle point of this tab on the line that is drawn perpendicular to the wall.

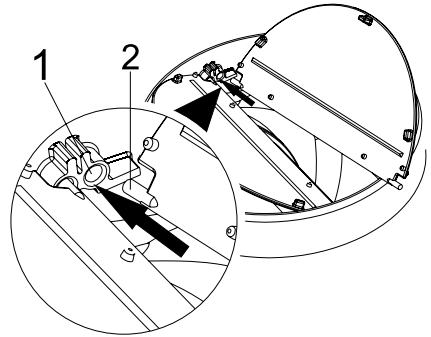
Align horizontally and mark the holes where the connection plate will be mounted via a pen (Figure 8/A, B).

Drill the marked points with $\text{Ø}6\text{mm}$ drill and insert two $\text{Ø}6\text{mm}$ plastic dowels in the drilled holes (Figure 8/A, B).

Fix the chimney connection plate to the wall with 3.9x22 screws (Figure 8/A, B).

For the assembly air baffle, drill points C, D, E, F with a $\text{Ø}6\text{mm}$ drill bit and tap the $\text{Ø}6\text{mm}$ plastic dowels (Figure 8).

Assemble cooker hood's body (Figure 4).



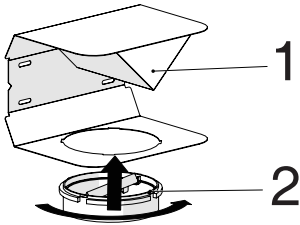
(Figure 9)

1. Flap Pin Socket

2. Flap Pin

Attach the flue flaps to the plastic flue adapter in the package content as follows. Insert the plastic pin (Figure 9/area no. 2) on the pin socket on the motor exhaust (Figure 9/area no.1). Then bend the flap lightly to insert the other pin on the flap and insert the other pin to its socket (Figure 9).

5 Installation of appliance

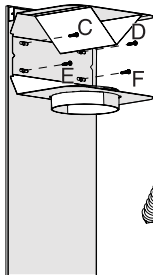


(Figure 10)

1. Air Baffle

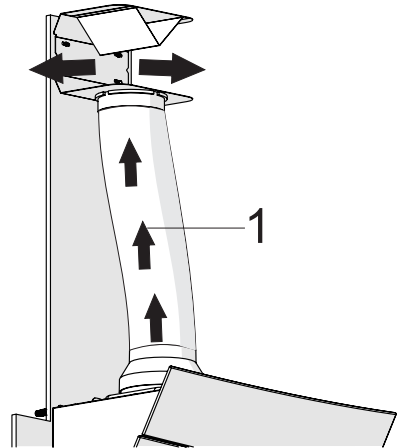
2. Plastic Chimney

Attach the plastic chimney adapter, which is included in the package, in the direction of the air baffle. Lock the chimney adapter by turning it in the direction of the arrow (Figure 10).



(Figure 11)

Assemble the air baffle group with 3.9 x 22 screws from point C, D, E, F that you have already prepared (Figure 11).



(Figure 12)

1. Aluminium Air Outlet Pipe

Make the air outlet pipe assembly (Figure 12).



Since twists and bends in the aluminium pipe will lead to reduction in the air suction power, avoid using twists and bends as much as possible.

Install the chimney plates of the hood (Figure 7)

6 Troubleshooting

Troubleshooting	Root cause	Help
Appliance is not working.	Check your fuses.	Fuse may be blown, inspect and restore it.
Appliance is not working.	Check the electrical connection.	Mains voltage shall be between 220 and 240 V.
Appliance is not working.	Check the electrical connection.	Check if other appliance in your kitchen operate.
Illumination light does not operate.	Check the electrical connection.	Mains voltage shall be between 220 and 240 V.
Illumination light does not operate.	Inspect the lamp switch.	Lamp switch shall be at "on" position.
Illumination light does not operate.	Inspect the lamps.	The lamps of the appliance shall illuminate.
Air inlet of the appliance is inadequate.	Inspect the aluminium filter.	Under normal operating conditions, Grease filter shall be cleaned at least once in a month.
Air inlet of the appliance is inadequate.	Check the air discharge chimney.	The air discharge chimney shall be at "on" position.
Air inlet of the appliance is inadequate.	Inspect the carbon filter.	The filters of the appliances with carbon filters shall be replaced once in every 3 months under normal conditions.

Bitte lesen Sie zunächst diese Anleitung!

Sehr geehrte Kundin, sehr geehrter Kunde,


Vielen Dank, dass Sie sich für dieses Gerät der Marke Beko entschieden haben. Wir sind überzeugt, dass Sie mit diesem Gerät, das mit den höchsten Qualitätsanforderungen und modernster Technologie hergestellt wurde, beste Ergebnisse erzielen werden. Bitte lesen Sie die gesamte Bedienungsanleitung und alle anderen Begleitdokumente aufmerksam, bevor Sie das Gerät verwenden; bewahren Sie sie zum künftigen Nachschlagen sicher auf. Wenn Sie das Gerät an jemanden weitergeben, händigen Sie ihm bitte auch diese Anleitung aus. Befolgen Sie die Anweisungen, indem Sie alle Informationen und Warnhinweise in der Bedienungsanleitung beachten.

Bitte denken Sie daran, dass diese Bedienungsanleitung eventuell für mehrere Modelle geschrieben wurde. Unterschiede zwischen den Modellen werden in der Anleitung klar und deutlich beschrieben.

Bedeutung der Symbole

Folgende Symbole werden in den verschiedenen Abschnitten dieser Anleitung verwendet:

	Wichtige Informationen und nützliche Hinweise zur Verwendung.
--	---

	WARNUNG: Warnhinweise zu gefährlichen Situationen im Hinblick auf die Sicherheit von Leib, Leben und Eigentum.
--	---

	Warnung vor Brandgefahr.
--	--------------------------

	Warnung vor Stromschlägen.
--	----------------------------

1 Wichtige Sicherheits- und Umwelanweisungen

1.1 Allgemeine Sicherheit

Wichtige Sicherheitsanweisungen sorgfältig lesen und zum künftigen Nachschlagen aufbewahren

Dieser Abschnitt enthält Sicherheitsanweisungen, die beim Schutz vor Personen- und Sachschäden, Bränden, Stromschlägen und dem Austreten von Mikrowellenenergie helfen. Bei Nichtbeachtung dieser Anweisungen erlischt die Gewährleistung.

- Beko-Produkte stimmen mit geltenden Sicherheitsstandards überein; daher sollten Gerät oder Netzkabel zur Vermeidung von Gefahren im Falle von Schäden durch den Händler, ein Kundencenter oder einen spezialisierten, autorisierten Serviceanbieter repariert oder ersetzt werden. Fehlerhafte oder unqualifizierte Reparaturen können Gefahren und Risiken für den Benutzer verursachen.
- Dieses Gerät ist für den Einsatz in Haushalten und ähnlichen Bereichen vorgesehen, wie:

- In Betriebsküchen, Läden, Büros und anderen Arbeitsumgebungen;
 - Bauernhöfen;
 - Von Gästen in Hotels und anderen Wohnumgebungen;
 - Pensionen und Jugendherbergen.
- Das Gerät darf nur für seinen in dieser Anleitung beschriebenen vorgesehenen Zweck verwendet werden.
 - Der Hersteller haftet nicht für Schäden, die auf unsachgemäße Installation oder fehlerhaften Gebrauch zurückzuführen sind.
 - Das Gerät darf nur dann von Kindern ab 8 Jahren und Personen mit körperlichen oder geistigen Einschränkungen genutzt werden, wenn diese beaufsichtigt werden oder gründlich über den richtigen und sicheren Umgang mit dem Gerät aufgeklärt wurden und sich sämtlicher möglicher Gefahren bewusst sind.
 - Kinder dürfen nicht mit dem Gerät spielen. Reinigungs- und Wartungsarbeiten dürfen nicht unbeaufsichtigt von Kindern aus-

1 Wichtige Sicherheits- und Umwelanweisungen

geführt werden.

- Der Abstand zwischen der Stützfläche für Kochgeschirr auf dem Kochfeld und dem niedrigsten Teil der Abzugshaube muss mindestens 50 cm betragen.
 - Falls die Anweisungen zur Installation eines Gasherdes einen größeren Abstand angeben, ist dieser einzuhalten.
 - Stellen Sie sicher, dass Ihre Stromversorgung mit den Angaben am Typenschild des Gerätes übereinstimmt.
 - Benutzen Sie das Gerät niemals, wenn das Netzkabel oder das Gerät selbst beschädigt ist.
 - Vermeiden Sie Schäden am Netzkabel, indem Sie es nicht quetschen, knicken oder über scharfe Kanten ziehen. Halten Sie das Netzkabel von heißen Oberflächen und offener Flamme fern.
 - Verwenden Sie das Gerät nur mit einer geerdeten Steckdose.
- WARNUNG:** Schließen Sie das Gerät erst nach vollständig abgeschlossener Installation an das Stromnetz an.
- Stellen Sie das Gerät so auf, dass der Netzstecker immer zugänglich ist.
 - Berühren Sie die Lampen nicht, falls sie lange Zeit in Betrieb waren. Sie könnten sich die Finger verbrennen, da die Lampen heiß werden.
 - Befolgen Sie die von zuständigen Behörden festgelegten Richtlinien zum Abführen von Abluft (diese Warnung ist bei Einsatz ohne Abzug nicht zutreffend).
 - Nehmen Sie Ihr Gerät erst in Betrieb, nachdem Sie ein Kochgeschirr auf das Kochfeld gestellt haben. Andernfalls könnte hohe Hitze zur Verformung von Teilen Ihres Geräts führen.
 - Schalten Sie die Kochfelder ab, bevor Sie das Kochgeschirr herunternehmen.
 - Lassen Sie kein heißes Öl auf das Kochfeld gelangen. Kochgeschirr mit heißem Öl kann sich selbst entzünden.
 - Achten Sie auf Vorhänge und Abdeckungen, da Öl beim Zubereiten von Lebensmitteln, wie Pommes frites, Feuer fangen kann.

1 Wichtige Sicherheits- und Umwelanweisungen

- Der Fettfilter muss mindestens einmal im Monat ersetzt werden. Der Kohlefilter muss mindestens alle 3 Monate ersetzt werden.
 - Das Produkt muss entsprechend der Bedienungsanleitung gereinigt werden. Falls die Reinigung nicht entsprechend der Bedienungsanleitung durchgeführt wird, besteht Brandgefahr.
 - Verwenden Sie kein nicht feuerbeständiges Filtermaterial anstelle des aktuellen Filters.
 - Verwenden Sie nur Originalteile und vom Hersteller empfohlene Teile.
 - Verwenden Sie das Gerät nicht ohne Filter. Entfernen Sie die Filter nicht, während das Gerät läuft.
 - Sollte sich etwas entzünden, unterbrechen Sie als erstes sofort die Energieversorgung.
 - Ersticken Sie ein Feuer mit einer geeigneten Decke oder ähnlich, verwenden Sie zum Löschen niemals Wasser.
 - Trennen Sie das Gerät vor jeder Reinigung und bei Nichtbenutzung von der Stromversorgung.
 - Der Unterdruck in der Umgebung darf 4 Pa (4 x 10 bar) nicht überschreiten, während die Dunstabzugshaube für das elektrische Kochfeld und Geräte mit einer anderen Energiequelle als Strom gleichzeitig laufen.
 - Falls sich ein mit Heizöl oder Brenngasen betriebenes Gerät, z. B. Heizungen, in der Nähe der Dunstabzugshaube befindet, muss die Abluft dieses Gerätes vollständig getrennt abgeführt werden oder es muss hermetisch sein.
 - Verwenden Sie zum Anschluss des Abzugs Rohre mit einem Durchmesser von 120 oder 150 mm. Der Rohranschluss muss möglichst kurz sein und sollte möglichst wenige Biegungen aufweisen.
 - **Verschluckungsgefahr!** Halten Sie alle Verpackungsmaterialien von Kindern fern.
- ACHTUNG:** Zugängliche Teile können bei Verwendung mit Kochgeräten heiß werden.
- Der Auslass des Produktes darf

1 Wichtige Sicherheits- und Umwelanweisungen

nicht an Luftkanäle angeschlossen werden, die auch andere Abluft abführen.

- Die Belüftung im Raum reicht möglicherweise nicht aus, wenn die Abzugshaube für das elektrische Kochfeld gemeinsam mit Geräten, die mit Gas oder anderen Kraftstoffen laufen, betrieben wird (dies trifft möglicherweise nicht auf Geräte zu, die Luft zurück in den Raum abgeben).
- Auf dem Produkt platzierte Gegenstände könnten herunterfallen. Stellen Sie keine Gegenstände auf das Produkt.
- Flambieren Sie nicht unter dem Gerät.

WARNUNG: Entfernen Sie vor Installation der Dunstabzugshaube die Schutzfolien.

- Achten Sie darauf, dass niemals hohe offene Flammen unter der Dunstabzugshaube entstehen, wenn diese in Betrieb ist.
- Fritteusen müssen während der Benutzung kontinuierlich überwacht werden; überhitztes Öl kann Feuer fangen.

1.2 Ihre Pflichten als Endnutzer



Dieses Produkt erfüllt die Vorgaben der EU-WEEE-Direktive (2012/19/EU). Das Produkt wurde mit einem Klassifizierungssymbol für elektrische und elektronische Altgeräte (WEEE) gekennzeichnet.

Dieses Elektro- bzw. Elektronikgerät ist mit einer durchgestrichenen Abfalltonne auf Rädern gekennzeichnet. Das Gerät darf deshalb nur getrennt vom unsortierten Siedlungsabfall gesammelt und zurückgenommen werden. Es darf somit nicht in den Hausmüll gegeben werden. Das Gerät kann z.B. bei einer kommunalen Sammelstelle oder ggf. bei einem Vertreiber (siehe unten zu deren Rücknahmepflichten in Deutschland) abgegeben werden.

Das gilt auch für alle Bauteile, Unterbaugruppen und Verbrauchsmaterialien des zu entsorgenden Altgeräts.

Bevor das Altgerät entsorgt werden darf, müssen alle Altbatterien und Altakkumulatoren vom Altgerät getrennt werden, die nicht vom Altgerät umschlossen sind. Das gleiche gilt für Lampen, die zerstörungsfrei aus dem Altgerät entnommen werden können. Der Endnutzer ist zudem selbst dafür verantwortlich, personenbezogene Daten auf dem Altgerät zu löschen.

Die ordnungsgemäße Entsorgung gebrauchter Geräte trägt dazu bei, mögliche negative Folgen für die Umwelt und die menschliche Gesundheit zu vermeiden.

1.3 Hinweise zum Recycling



Helfen Sie mit, alle Materialien zu recyceln, die mit diesem Symbol gekennzeichnet sind. Entsorgen Sie solche Materialien, insbesondere Verpackungen, nicht im Hausmüll, sondern über

1 Wichtige Sicherheits- und Umwelanweisungen

die bereitgestellten Recyclingbehälter oder die entsprechenden örtlichen Sammelsysteme.

Recyceln Sie zum Umwelt- und Gesundheitsschutz elektrische und elektronische Geräte.

1.4 Rücknahmepflichten der Vertreiber

Wer auf mindestens 400 m² Verkaufsfläche Elektro- und Elektronikgeräte vertreibt oder diese gewerblich an Endnutzer abgibt, ist verpflichtet, bei Abgabe eines neuen Gerätes, ein Altgerät des Endnutzers der gleichen Geräteart, das im Wesentlichen die gleichen Funktionen wie das neue Gerät erfüllt, am Ort der Abgabe oder in unmittelbarer Nähe, unentgeltlich zurückzunehmen. Das gilt auch für Vertreiber von Lebensmitteln mit einer Gesamtverkaufsfläche von mindestens 800 m², die mehrmals im Kalenderjahr oder dauerhaft Elektro- und Elektronikgeräte anbieten und auf dem Markt bereitstellen. Solche Vertreiber müssen zudem auf Verlangen des Endnutzers Altgeräte, die in keiner äußeren Abmessung größer als 25 cm sind, (kleine Elektrogeräte) im Einzelhandelsgeschäft oder in unmittelbarer Nähe hierzu unentgeltlich zurückzunehmen; die Rücknahme darf in diesem Fall nicht an den Kauf eines Elektro- oder Elektronikgerätes verknüpft, kann aber auf drei Altgeräte pro Geräteart beschränkt werden.

Ort der Abgabe ist auch der private Haushalt, wenn das neue Elektro- oder Elektronikgerät dorthin geliefert wird; in diesem Fall ist die Abholung des Altgerätes für den Endnutzer kostenlos.

Die vorstehenden Pflichten gelten auch für den Vertrieb unter Verwendung von Fernkommunikationsmitteln, wenn die Vertreiber Lager- und Versandflächen für Elektro- und Elektronikgeräte bzw. Gesamtlager und Versandflächen für Lebensmittel beinhalten, die den oben genannten Verkaufsflächen ent-

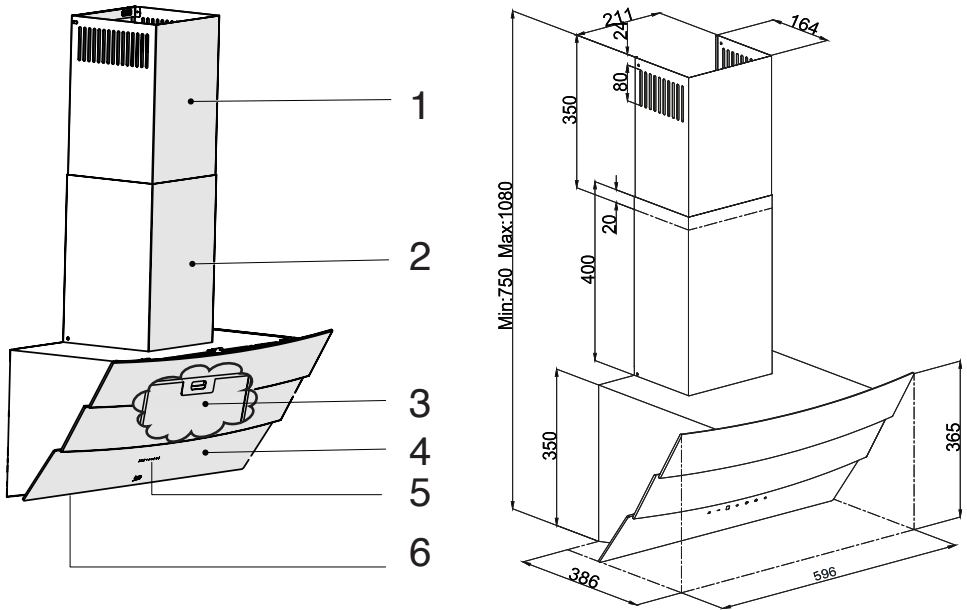
sprechen. Die unentgeltliche Abholung von Elektro- und Elektronikgeräten ist dann aber auf Wärmeüberträger (z.B. Kühlschrank), Bildschirme, Monitore und Geräte, die Bildschirme mit einer Oberfläche von mehr als 100 cm² enthalten und Geräte beschränkt, bei denen mindestens eine der äußeren Abmessungen mehr

1.5 Einhaltung von RoHS-Vorgaben

Das von Ihnen erworbene Produkt erfüllt die Vorgaben der EU-RoHS Richtlinie (2011/65/EU). Es enthält keine in der Richtlinie angegebenen gefährlichen und unzulässigen Materialien.

2 Allgemeines Erscheinungsbild

2.1 Übersicht



1. Innerer Abluftkanal
2. Äußerer Abluftkanal
3. Aluminium Oil Filters (Behind Glass Cover)
4. Glasdeckel
5. Kontroll-Baugruppe
6. Lampe

2.2 Technische Daten

Modell	HCA62641BH HCA62641WH
Versorgungsspannung	220-240V ~ 50 Hz
Lampenleistung	2 x 3 W
Motorleistung	210 W
Fließrate – 3. Stufe	638 m ³ /h
Isolationsklasse des Motors	Klasse F
Isolationsklasse	Klasse I

3 Bedienung des gerätes

3.1 Steuerung des Geräts

	1	2	3
A	B	C	D
SCHLÜSSEL	FUNKTION		
A : Ein-/Aus des Lichts	Durch Drücken dieser Taste können Sie die Kochstelle beleuchten. Drücken Sie die Ein/Aus-Taste erneut, um die Lampe auszuschalten.		
B : 1. Bühne Taste	Betreibt das Gerät mit der 1. Geschwindigkeit. Wenn Sie diese Taste erneut drücken, um das Gerät auszuschalten, wird die Bildschirm-Geschwindigkeitsstufe ausgeschaltet.		
C : 2. Bühne Taste	Betreibt das Gerät mit 2. Geschwindigkeit. Wenn Sie diese Taste erneut drücken, um das Gerät auszuschalten, wird die Bildschirm-Geschwindigkeitsstufe ausgeschaltet.		
D : Bühne 3. Taste	Betreibt das Gerät mit der 3. Geschwindigkeit. Wenn Sie diese Taste erneut drücken, um das Gerät auszuschalten, wird die Bildschirm-Geschwindigkeitsstufe ausgeschaltet.		

3.2 Energieeffiziente Nutzung

- Wenn Sie Ihr Gerät benutzen, passen Sie die Geschwindigkeitseinstellungen je nach Dampf- und Geruchsintensität an, um Energie zu sparen.
- Verwenden Sie niedrige Geschwindigkeiten (1-2) unter normalen Bedingungen und hohe Geschwindigkeiten (3) für intensive Gerüche und Dämpfe.
- Die Lampen der Abzugshaube sind so angebracht, dass sie den Herdbereich beleuchten.
- Ihr Nutzung für die Beleuchtung der Küche kann zu unnötigen zusätzlichen Stromkosten führen, ohne dass die Raumbelichtung ausreichend wäre.

3.3 Bedienung der Abzugshaube

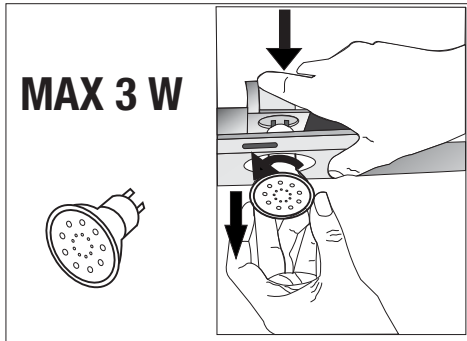
- Ihr Gerät enthält einen Motor, der verschiedene Geschwindigkeiten hat.
- Für eine bessere Leistung empfehlen wir niedrige Geschwindigkeiten unter normalen Bedingungen und hohe Geschwindigkeiten bei starken Gerüchen und intensiven Dämpfen.
- Sie können Ihr Gerät starten, indem Sie auf die Taste für die gewünschte Geschwindigkeitseinstellung drücken. (B, C, D)
- Sie können die Kochstelle beleuchten, indem Sie die Lampe (A) drücken.

3.4 Automatisches Anhalten

Ihr Gerät verfügt über eine automatische Abschaltfunktion, die es ihm ermöglicht, etwas mehr zu lüften und die unerwünschten Gerüche und Dämpfe aus der Umgebung zu entfernen und sich nach Beendigung des Garvorgangs automatisch auszuschalten. Um die automatische Abschaltfunktion zu aktivieren, drücken Sie eine beliebige Geschwindigkeitsstufentaste (B, C, D) auf dem Bedienfeld länger als 2 Sekunden; die 15-Minuten-Timerfunktion muss aktiviert werden. Wenn die automatische Abschaltfunktion aktiv ist, wird durch Drücken der gleichen Geschwindigkeitstaste die automatische Abschaltfunktion deaktiviert und der Motor des Geräts angehalten. Diese Funktion ist deaktiviert, wenn Sie zwischen verschiedenen Geschwindigkeitsstufen wechseln. Wenn Sie möchten, dass das Gerät automatisch stoppt, müssen Sie die automatische Abschaltfunktion wieder aktivieren.

3 Bedienung des gerätes

3.5 Leuchtmitteltausch

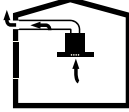


Stellen Sie die elektrischen Anschlüsse des Geräts her. Ihr Gerät verwendet eine 3W LED-Punktlichtleuchte. Zum Auswechseln der Lampen drücken Sie die Fassung von hinten nach unten, drehen Sie sie gegen den Uhrzeigersinn und nehmen Sie sie nach unten heraus. Wenden Sie den obigen Vorgang in umgekehrter Reihenfolge an, um neue Lampen einzubauen.

Glühbirne	
Leistung der Lampe	3 W
Halter / Sockel	GZ 10
Die Spannung der Glühbirne	220 - 240 V
Größe	53 x 50 mm
PIN-Code	DR/F3-220-240-GZ10-50-53
Lichtstrom	260 lm
Korrelierte Farbtemperatur	3000 K

Dieses Produkt enthält eine Lichtquelle der Energieeffizienzklasse "F".

3.6 Verwendung mit Abluftkanalanschluss

-  Der Dampf wird durch das Abluftrohr, der am Anschlusskopf der Abzugshaube auf dem Herd befestigt ist, abgesaugt.
- Der Durchmesser des Abluftrohrs muss dem Durchmesser des Anschlussrings entsprechen. Bei horizontaler Anordnung muss das Rohr ein leichtes Gefälle (ca. 10°) nach oben haben, damit die Luft leicht aus dem Raum austreten kann.

3.7 Verwendung ohne Abluftkanalanschluss

-  Die Luft wird durch den Kohlefilter gefiltert und im Raum recirculiert. Der Kohlefilter wird verwendet, wenn es unmöglich ist, einen Rauchabzug im Haus zu benutzen.
- Im rauchgaslosen Betrieb sind die Klappen im Inneren des Rauchgasadapters zu entfernen.
- Entfernen Sie den Fettfilter. Zum Einbau des Kohlefilters den Filter auf die Laschen aufsetzen, indem Sie ihn auf dem Kunststoffteil auf beiden Seiten des Gebläsegehäuses zentrieren. durch Rechts- oder Linksdrehung festziehen.
- Fettfilter ersetzen.

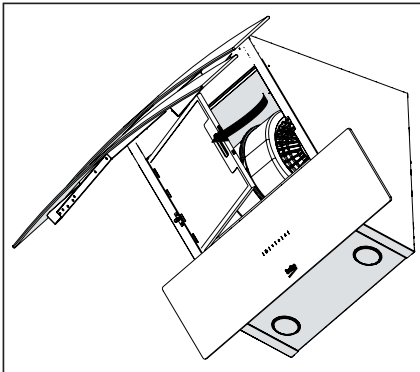
4 Reinigung und Instandhaltung



Ziehen Sie vor der Reinigung und Wartung den Netzstecker oder schalten Sie den Schalter aus.

4.1 Reinigung des Aluminium-Ölfilters

Dieser Filter hält die Ölpartikel in der Luft zurück. Aluminium-Ölfiler können sich beim Waschen verfärben; dies ist normal und erfordert keinen Austausch Ihrer Aluminium-Ölfiler.



- Drücken Sie den Aluminium-Ölfiltersverschluss nach vorne.
- Ziehen Sie ihn dann leicht nach unten und ziehen Sie ihn heraus. Andernfalls können Sie den Filter verbiegen. Waschen und spülen Sie Aluminiumölfiler mit flüssigem Reinigungsmittel und ersetzen Sie Aluminiumölfiler bis zu ihren Sitz, indem Sie die oben angegebenen Schritte in umgekehrter Reihenfolge durchführen. Dieser Filter hält die Ölpartikel in der Luft zurück.



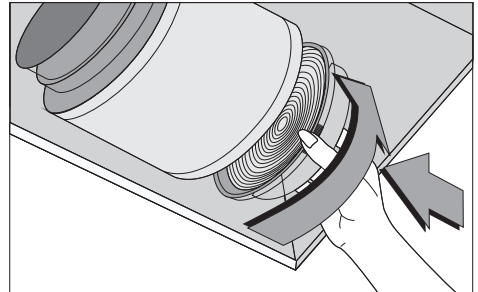
Sie können Ihre Aluminium-Ölfiler in der Spülmaschine waschen.



VORSICHT: Reinigen Sie Ihren Aluminium-Ölfiler bei normalem Gebrauch einmal im Monat.

4.2 Austausch des Kohlefilters

Geruchsbeseitigende Filter enthalten Holzkohle (Aktivkohle). Das Gerät muss stets mit eingesetzten Fettfiltern betrieben werden, unabhängig davon, ob ein Aktivkohlefilter verwendet wird oder nicht.



- Entfernen Sie die Aluminium-Ölfiler.
- Um den Kohlefilter zu entfernen, nehmen Sie den Kohlefilter aus seinem Gehäuse heraus, indem Sie ihn gegen den Uhrzeigersinn aus der Lasche drehen.
- Installieren Sie den neuen Kohlefilter.
- Installieren Sie den Aluminium-Ölfiler.

VORSICHT



- Kohlefilter dürfen niemals gewaschen werden.
- Ersetzen Sie die Kohlefilter einmal alle 3 Monate.
- Sie können den Kohlefilter bei den autorisierten Diensten beziehen.

5 Installation des Geräts



WARNUNG: Lesen Sie vor Beginn der Installation die Sicherheitshinweise im Benutzerhandbuch.

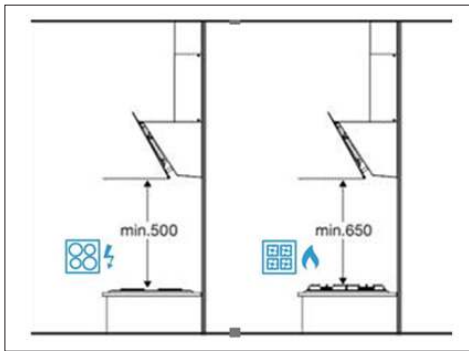


WARNUNG: Wird die Installation mit Schrauben und Stabilisatoren nicht in Übereinstimmung mit diesen Anweisungen durchgeführt, kann dies zu einem elektrischen Schlag führen.

Für die Installation der Abzugshaube wenden Sie sich bitte an den nächstgelegenen autorisierten Service.

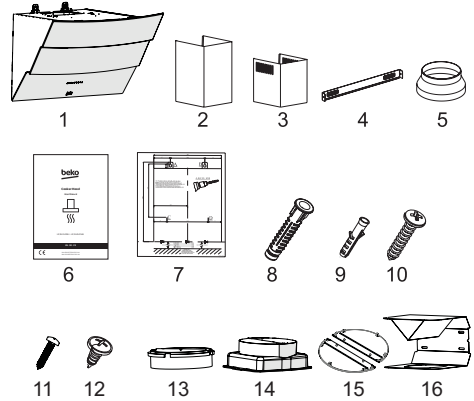
Es liegt in der Verantwortung des Kunden, den Standort und die elektrische Installation der Abzugshaube vorzubereiten.

5.1 Positionierung des Geräts



- Bei allen Dunstabzugshauben beträgt der Installationsabstand bei Gas- und Elektrokochfeldern mindestens 650 mm. Nur bei **schrägen Dunstabzugshauben** beträgt der Installationsabstand über dem **Elektrokochofeld** mindestens 500 mm.
- Der Abstand muss bei Gasherden von der Oberfläche des Rostes, bei Elektroherden von der Oberfläche des Glases gemessen werden.

5.2 Installations-Zubehör



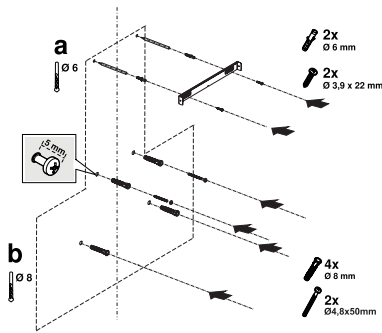
1. Produkt
2. Äußerer Abluftkanal
3. Innerer Abluftkanal
4. Verbindungsplatte des Abluftkanals
5. Ø150/120mm Abluftkanaladapter
6. Bedienungsanleitung
7. Montageschema
8. 4x Ø8mm Kunststoffdübel
9. 6x Ø6mm Kunststoffdübel
10. 4x 4.8x50 Schraube für die Wandmontage
11. 6x 3,9x22 Schraube für Verbindungsplatte des Rauchabzugs
12. 4x 3.5x9.5 Verbindungsschrauben für Abluftkanal
13. Ø120mm Abluftkanaladapter
14. Ø150mm Kunststoffabluftkanaladapter (Option)
15. Schornsteinschelle aus Metall
16. Luftleitblech

Die Informationen, die erforderlich sind, um den Standort für die Installation der Abzugshaube geeignet zu machen, sind nachstehend aufgeführt.

5 Installation des Geräts

5.3 Wandmontage

- Die Wand muss eben und gerade sein sowie über ausreichende Tragkraft verfügen.
- Die Tiefe der Bohrung muss der Schraubenlänge entsprechen.
- Die mitgelieferten Bolzen und Dübel sind für Ziegelwände geeignet. Für andere Baustoffe (z.B. Trockenbauwände, Platten, Porenbeton) sind geeignete Befestigungsdübel und Muttern zu verwenden.



(Abbildung 1)



VORSICHT: Stellen Sie vor dem Bohren sicher, dass sich keine Strom-, Gas- oder Wasserleitungen in der Nähe der Bohrstellen befinden.

Zeichnen Sie eine mittlere Positionslinie von der Decke senkrecht zur Unterkante der Abzugshaube. Kleben Sie die im Zubehör mitgelieferte Installationsschablone auf die Oberfläche, an der die Abzugshaube montiert werden soll. Beachten Sie bei diesem Vorgang die Montagehöhe der Abzugshaube.

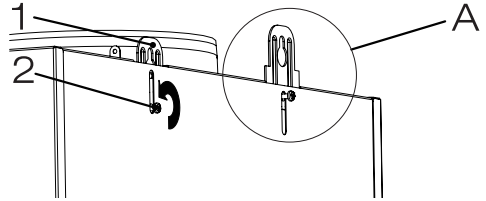
In der Mitte der Abluftkanalplatte befindet sich eine Lasche. Platzieren Sie den Mittelpunkt dieser Registerkarte auf der Linie, die senkrecht zur Wand gezeichnet wird. Dabei ist die Abzugshaube entsprechend der maximalen Höhe einzustellen. Markieren Sie mit Hilfe eines Stifts die Löcher, an

denen die Abluftkanalplatte montiert werden soll (Abbildung 1/a).

Bohren Sie die markierten Punkte mit einem Ø6mm-Bohrer und setzen Sie 2 Kunststoffdübel in die gebohrten Löcher ein (Abbildung 1/a). Befestigen Sie die Abluftkanalplatte mit Stück Schrauben 3.9x22 an der Wand (Abbildung 1/a).

Zur Montage der Abzugshaube können Sie mit dem Ø8-mm-Bohrer die Punkte A, B, C, D auf der Montageschablone bohren und an diesen Punkten 4,8x50-mm-Kunststoffdübel einsetzen. (Abbildung 1/b).

2 Stück 4,8x50 Hängeschraube mit einem Spiel von 5 mm zwischen Schraubenkopf und Wand (Abbildung 1/b).



(Abbildung 2)

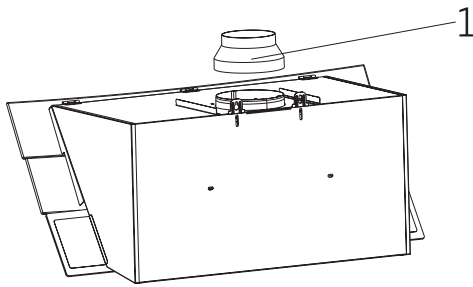
1. Montageplatte

2. Verbindungsschraube für Hängeplatte

Um Ihre Abzugshaube an der Wand zu montieren, lösen Sie die Schrauben an den Aufhängeplatten, die an der Motorkabine angebracht sind, und ziehen Sie diese nach oben und befestigen Sie sie dann wieder (Abbildung 2/A).

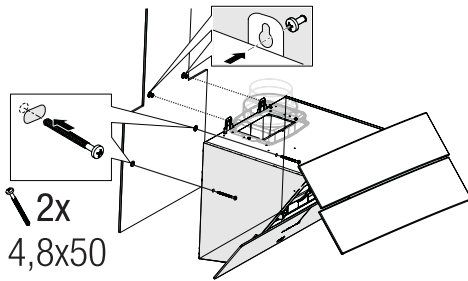
Schalten Sie das Absaugglas der Abzugshaube ein und entfernen Sie den Aluminium-Ölfilter.

5 Installation des Geräts



(Abbildung 3)

Wenn der Luftauslass an den Luftaustrittskanal angeschlossen werden soll, der kleiner als 150 mm ist, installieren Sie den Kunststoffabzugadapter 150/120 mm (Abbildung 3).

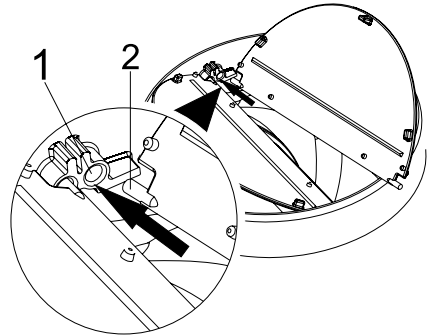


(Abbildung 4)

Halten Sie die Abzugshaube an ihrem Körper fest, setzen Sie sie auf die Befestigungsschrauben an der Wand und ziehen Sie die Schrauben fest (Abbildung 4).

Befestigen Sie die Abzugshaube mit einer Schraube 4,8x50 an der Wand durch das Montageloch auf der Innenseite des Geräts (Abbildung 4).

5.4 Verbindung zum Abluftkanal



(Abbildung 5)

1. Klappenstift Buchse

2. Klappenstift

Stecken Sie den Kunststoffstift (Abbildung 5/Bereich Nr.2) auf die Stiftaufnahme am Motorauslass (Abbildung 5/Bereich Nr.1). Biegen Sie dann die Klappe leicht, um den anderen Stift auf der Klappe einzuführen, und führen Sie den anderen Stift in seine Fassung ein (Abbildung 5).

Wenn Sie den \varnothing 120/150 mm Kunststoff-Abluftkanal adapter verwenden wollen, schließen Sie ein Ende des Rohrs an diesen Adapter an, wenn Sie ihn nicht verwenden wollen, an den direkten Ausgang am Produkt. Schließen Sie das andere Ende des Rohrs an Ihren Abluftkanal an. Prüfen Sie, ob diese beiden Anschlüsse fest genug sind, damit sie sich nicht lösen, wenn das Gerät mit voller Leistung läuft. Stellen Sie sicher, dass die Klappen im Inneren des Kamins funktionieren, wenn sie mit der Klemme festgezogen werden. Schließen Sie den Abluftkanal außerhalb des Adapters an (Abbildung 6/a). Wenn der Abluftkanal im Innern des Adapters angebracht ist, darf keine Luft angesaugt werden, da die Abgasklappe, die die Rückführung der Luft verhindert, geschlossen bleibt (Abbildung 6/b).

5 Installation des Geräts

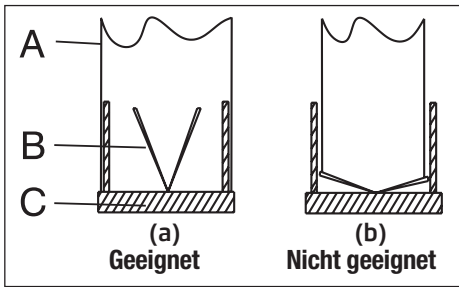
Die Länge der Rohrleitung und Zahl der Bogenstücke sollten dabei so gering wie möglich sein.

A : Abluftkanal Ausgangsrohr

B : Abluftkanal Klemmen

C: Kunststoff abluftkanal

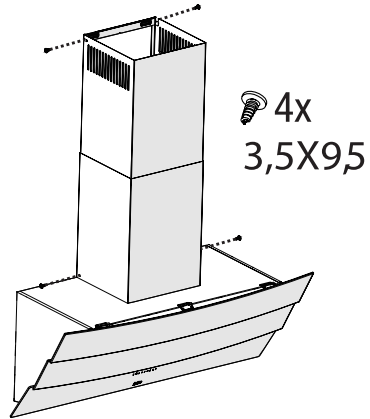
Die Ventile sind dann geschlossen, wenn das Gerät nicht in Betrieb ist, und verhindern, dass möglicher Außengeruch und Staub ins Innere gelangen.



(Abbildung 6)

5.5 Einbau der Abzugshaube in den Abluftkanal

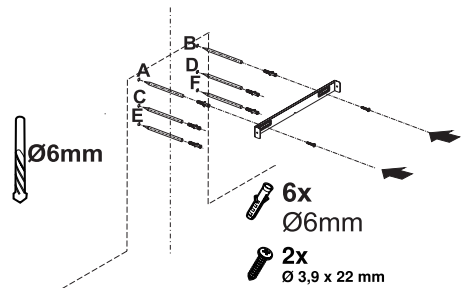
Stellen Sie den elektrischen Anschluss Ihrer Abzugshaube her, bevor Sie mit der Installation des Abluftkanal. Schieben Sie die Abluftkanal Platten um den Körper. Schrauben Sie den Abluftkanal an die an der Motorkabine vorhandenen Abluftkanalbefestigungsplatten. (Abbildung 7). Installieren Sie den Abluftkanal an der Schornsteinbefestigungsplatte, die von den oberen Außenkanten an der Wand befestigt ist (Abbildung 7).



(Abbildung 7)

5.6 Einbau eines Luftleitblechs

Bei der Verwendung mit dem Kohlefilter wird ein Luftleitblech mit Ihrem Gerät mitgeliefert, um die mit dem Kohlefilter gereinigte Luft wieder aus der am Abluftkanal befindlichen Perforation freizusetzen. Montieren Sie das Luftleitblech wie unten beschrieben.



(Abbildung 8)

In der Mitte der Abluftkanal platte befindet sich eine Lasche. Platzieren Sie den Mittelpunkt dieser Registerkarte auf der Linie, die senkrecht zur Wand gezeichnet wird. Richten Sie sie horizontal aus und markieren Sie mit einem Stift die Löcher, an denen die Anschlussplatte montiert werden soll (Abbildung 8/A, B).

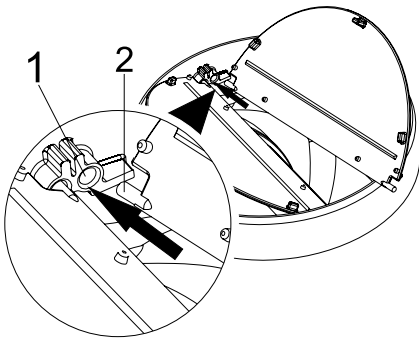
5 Installation des Geräts

Bohren Sie die markierten Punkte mit einem Ø6mm-Bohrer und setzen Sie zwei Ø6mm-Kunststoffdübel in die gebohrten Löcher ein (Abbildung 8/A, B).

Befestigen Sie die Abluftkanalplatte mit Stück Schrauben 3.9x22 an der Wand (Abbildung 8/A, B).

Für die Montage des Luftleitblechs bohren Sie die Punkte C, D, E, F mit einem Ø6 mm Bohrer und schlagen Sie die Ø6 mm Kunststoffdübel ein (Abbildung 8).

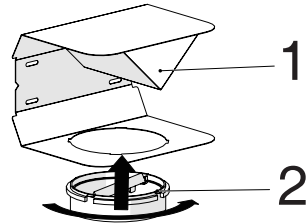
Bauen Sie den Körper der Abzugshaube zusammen (Abbildung 4).



(Abbildung 9)

1. Klappenstift Buchse
2. Klappenstift

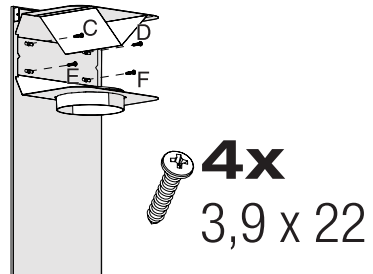
Befestigen Sie die Abzugsklappen wie folgt am Kunststoff-Abgasadapter im Verpackungsinhalt. Stecken Sie den Kunststoffstift (Abbildung 9/Bereich Nr. 2) auf die Stiftaufnahme am Motorauslass (Abbildung 9/Bereich Nr. 1). Biegen Sie dann die Klappe leicht, um den anderen Stift auf der Klappe einzuführen, und führen Sie den anderen Stift in seine Fassung ein (Abbildung 9).



(Abbildung 10)

1. Luftleitblech
2. Kunststoff Abluftkanal

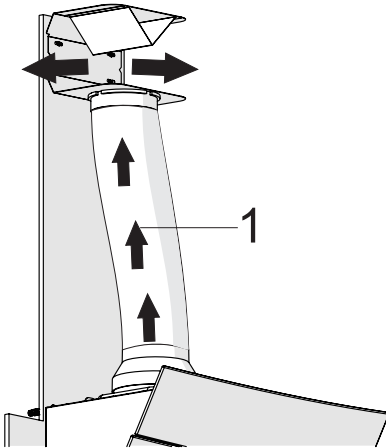
Befestigen Sie den im Paket enthaltenen Kunststoff Abluftkanaladapter in Richtung des Luftleitblechs. Verriegeln Sie den Abluftkanaladapter, indem Sie ihn in Pfeilrichtung drehen (Abbildung 10).



(Abbildung 11)

Montieren Sie die Luftleitblechgruppe mit 3,9 x 22 Schrauben von Punkt C, D, E, F aus, die Sie bereits vorbereitet haben (Abbildung 11).

5 Installation des Geräts



(Abbildung 12)

1. Aluminium-Luftaustrittsrohr

Stellen Sie die Luftauslassrohrbaugruppe her (Abbildung 12).



Da Verdrehungen und Biegung im Aluminiumrohr zur Verminderung der Ansaugleistung führen, sind diese soweit wie möglich zu vermeiden.

Installieren Sie die Abluftkanalplatten der Abzugshaube (Abbildung 7)

6 Fehlerbehebung

Fehlerbehebung	Grund	Hilfe
Das Produkt funktioniert nicht.	Überprüfen Sie Ihre Sicherung	Ihre Sicherung könnte geschlossen sein, sorgen Sie dafür, dass sie funktioniert.
Das Produkt funktioniert nicht.	Überprüfen Sie die elektrische Verbindung.	Die Netzspannung sollte zwischen 220-240V liegen.
Das Produkt funktioniert nicht.	Überprüfen Sie die elektrische Verbindung.	Überprüfen Sie, ob die anderen Produkte in Ihrer Küche funktionieren oder nicht.
Die Beleuchtung Lampe funktioniert nicht.	Überprüfen Sie die elektrische Verbindung.	Die Netzspannung sollte zwischen 220-240V liegen.
Die Beleuchtung Lampe funktioniert nicht.	Überprüfen Sie den Lampen schalter.	Der Lampenschalter sollte sich in der Position "Ein/on" befinden.
Die Beleuchtung Lampe funktioniert nicht.	Überprüfen Sie die Lampen.	Die Lampen des Produkts sollten nicht defekt sein.
Die Luftzufuhr des Produkts ist schlecht.	Prüfen Sie den Aluminiumfilter.	Der Aluminium-Ölfilter sollte unter normalen Bedingungen mindestens einmal im Monat gereinigt werden.
Die Luftzufuhr des Produkts ist schlecht.	Überprüfen Sie den Abluftkamin.	Der Entlüftungskanal sollte sich in der "Ein" Stellung befinden.
Die Luftzufuhr des Produkts ist schlecht.	Überprüfen Sie den Kohlefilter.	Bei Produkten mit Kohlefilter sollte der Filter normalerweise alle 3 Monate gewechselt werden.

Garantiebedingungen

Anschrift:

Beko Grundig Deutschland GmbH
Thomas-Edison-Platz 3
D-63263 Neu-Isenburg

Kundendienst-Tel.: 06102-86 86 891

Fax: 01805-414 400 *

E-Mail: Kundendienst@beko.com

Ersatzteile-Tel.: 01805-242 515 *

Fax: 01805-345 001*

E-Mail: ersatzteile@beko.com

Sehr geehrte Kundin, sehr geehrter Kunde,

wir gratulieren Ihnen zum neuen Gerät der Marke Beko und wünschen Ihnen viel Freude daran. Sollten Sie dennoch einmal einen Grund zu einer Reklamation erkennen, dann wenden Sie sich bitte an unseren Kundendienst. Geben Sie im Falle einer Störung Ihre genaue Anschrift, Telefonnummer und den GERÄTETYP (vom Typenschild des Gerätes) an.

Hinweis für Kühl- und Gefriergeräte, Achtung!

Um voll funktionsfähig zu sein, benötigt Ihr Gerät nach dem Transport ca. 24 Stunden, in denen sich das Kühlmittel stabilisiert. Sofern es nicht vermeidbar ist und Sie das Gerät sofort nach Aufstellung mit Gefriergut bestücken wollen, müssen Sie damit rechnen, dass die rote Lampe bis zur Stabilisierung des Kühlkreislaufs aufleuchtet. Die Kühlleistung beginnt jedoch vom Augenblick des Anschlusses an sich auf zu bauen.

Die Garantiezeit beträgt 24 Monate ab Kaufdatum.

Bedingungen:

Dieses Gerät wurde nach den modernsten Methoden hergestellt und geprüft. Der Hersteller leistet unabhängig von der gesetzlichen Gewährleistungsverpflichtung des Verkäufers / Händlers für die Dauer von 24 Monaten, gerechnet vom Tag des Kaufes, Garantie für einwandfreies Material und fehlerfreie Fertigung.

Der Garantieanspruch erlischt bei Eingriffen durch den Käufer oder durch Dritte, die vom Hersteller nicht für den Service autorisiert sind oder wenn das Gerät zu gewerblichen Zwecken eingesetzt wird. Schäden die durch unsachgemäße Behandlung oder Bedienung, durch falsches Aufstellen oder Aufbewahren, durch unsachgemäßen Anschluss, oder fehlerhafte Installationen sowie durch höhere Gewalt oder sonstige äußere Einflüsse entstehen, fallen nicht unter die Gewährleistung.

Abhilfemöglichkeiten:

Wir behalten uns vor, bei Reklamationen die defekten Teile auszubessern oder zu ersetzen oder das Gerät auszutauschen. Ausgetauschte Teile oder ausgetauschte Geräte gehen in unser Eigentum über. Nur wenn durch Nachbesserung(en) oder Umtausch des Gerätes die herstellerseitig vorgesehene Nutzung endgültig nicht zu erreichen sein sollte, kann der Käufer aus Gewährleistung innerhalb von 24 Monaten, gerechnet vom Tag des Kaufes, Herabsetzung des Kaufpreises oder Aufhebung des Kaufvertrages verlangen. Nachbesserungen verlängern nicht die Gewährleistungszeit. Schadenersatzansprüche, auch hinsichtlich Folgeschäden, sind, soweit sie nicht auf Vorsatz oder grober Fahrlässigkeit beruhen, ausgeschlossen.

Bei unnötiger oder unberechtigter Beanspruchung des Kundendienstes berechnet dieser Zeit- und Wegeentgelt. Reklamationen sind unmittelbar nach Feststellung zu melden. Der Garantieanspruch ist vom Käufer, durch Vorlage der Kaufquittung, nachzuweisen. Bei Nicht-vorlage ist die Reparatur kostenpflichtig. Eine Rückerstattung – nach späterer Einsendung der Kaufquittung – kann nur innerhalb von einem Monat nach Rechnungsdatum gewährt werden.

Diese Garantiezusage ist gültig innerhalb der Bundesrepublik Deutschland

***) 0,14 EUR/Min. aus dem Festnetz der T-Com; Mobilfunk max. 0,42 EUR/Min. (nur für Deutschland)**

Avant toute chose, veuillez lire ce manuel d'utilisation !

Chère cliente, cher client,

Merci d'avoir choisi cet appareil Beko. Nous espérons que cet appareil, fabriqué dans des installations modernes et soumis à un processus de contrôle qualité rigoureux, vous offre les meilleures performances possible. C'est pourquoi nous vous recommandons, avant d'utiliser l'appareil, de lire attentivement et complètement ce manuel d'utilisation ainsi que tous les autres documents fournis et de les conserver soigneusement pour une utilisation future. Si vous cédez l'appareil à quelqu'un d'autre, remettez-lui également le manuel d'utilisation. Suivez les instructions en accordant une attention particulière à toutes les informations et les avertissements contenus dans le manuel d'utilisation.

Notez que ce manuel d'utilisation peut également s'appliquer à d'autres modèles. Les différences entre les modèles sont clairement décrites dans le manuel.

Signification des symboles

Les pictogrammes suivants sont repris tout au long de ce manuel :

	Informations importantes et conseils utiles concernant l'utilisation de l'appareil.
--	---

	AVERTISSEMENT: Avertissement sur les situations dangereuses concernant la sécurité des biens et des personnes.
--	---

	AVERTISSEMENT: Avertissement contre le risque d'incendie.
---	--

	AVERTISSEMENT: Avertissement contre le risque d'électrocution.
--	---

	FR ÉLÉMENTS PAPIER	
--	----------------------------------	---

	FR Cet appareil et ses accessoires se recyclent	REPRISE À LA LIVRAISON	OU	À DÉPOSER EN MAGASIN	OU	À DÉPOSER EN DÉCHÈTERIE
---	---	---------------------------	----	-------------------------	----	----------------------------

Points de collecte sur www.quefairedemesdechets.fr
Privilégiez la réparation ou le don de votre appareil !

1 Instructions importantes en matière de sécurité et d'environnement

1.1 Consignes générales de sécurité

Consignes de sécurité importantes
- Lire attentivement et conserver pour référence ultérieure

Cette section contient les consignes de sécurité qui aident à se prémunir contre les risques d'incendie, d'électrocution, d'exposition aux fuites d'énergie à micro-ondes, de dommages corporels ou de dégâts matériels. Le non-respect de ces instructions entraînera l'annulation de toute garantie.

- Les produits Beko sont conformes aux normes de sécurité applicables. Par conséquent, en cas de dommage sur l'appareil ou son câble d'alimentation, le faire réparer ou remplacer par le revendeur, le centre SAV, un spécialiste ou des services habilités afin de prévenir tout danger. Des réparations défectueuses et non professionnelles peuvent être sources de danger et de risque pour l'utilisateur.
- Cet appareil est conçu pour un usage domestique et des utilisations similaires comme :
 - dans les coins cuisine du personnel dans les magasins, bureaux, et autres environnements de travail ;
 - les fermes
 - Par les clients des hôtels et autres types d'environnements résidentiels ;
 - et dans les chambres d'hôte.
- Utiliser l'appareil uniquement aux fins pour lesquelles il a été conçu, comme décrit dans les présentes instructions.
- Le fabricant n'est pas responsable des dommages résultant d'une mauvaise installation ou d'une mauvaise utilisation du produit.
- Cet appareil peut être utilisé par des enfants de 8 ans minimum, des personnes à capacités physiques, sensorielles ou mentales réduites et des personnes manquant d'expérience ou de connaissances suffisantes en la matière, à condition qu'elles

1 Instructions importantes en matière de sécurité et d'environnement

aient été préparées à un maniement sécurisé de l'appareil et qu'elles aient pleinement conscience des risques encourus.

- Les enfants n'ont pas le droit de jouer avec l'appareil. Le nettoyage et l'entretien de l'appareil ne doivent pas être effectués par des enfants laissés sans surveillance.
- La distance minimale entre la surface d'appui des récipients de cuisson sur la plaque de cuisson et la partie la plus basse de votre produit doit être d'au moins 50 cm.
- Si des instructions relatives à l'installation de la plaque à gaz exigent plus de distance, prenez-les en compte.
- S'assurer que la source d'alimentation électrique est conforme aux informations spécifiées sur la plaque signalétique de l'appareil.
- Ne jamais utiliser l'appareil si le câble d'alimentation ou l'appareil lui-même est endommagé.
- Pour éviter d'endommager le

câble d'alimentation, éviter de l'aplatir, de le plier ou même de le frotter contre des bords coupants. Éloigner le câble d'alimentation de toute surface brûlante et des flammes.

- Utilisez l'appareil uniquement avec une prise de terre.

AVERTISSEMENT: Ne branchez pas l'appareil sur le secteur avant la fin de l'installation.

- Placer l'appareil de sorte que la prise soit toujours accessible.
- Ne touchez pas les lampes si elles ont été utilisées pendant une longue période. Elles sont chaudes et risqueraient donc de provoquer des brûlures aux mains.
- Respectez la réglementation des autorités compétentes en matière d'évacuation de l'air évacué (cette mise en garde ne s'applique pas à l'utilisation sans conduit).
- Faites fonctionner votre appareil après avoir posé une casserole, une poêle, etc. sur la plaque de cuisson. Autrement, la tempéra-

1 Instructions importantes en matière de sécurité et d'environnement

ture élevée peut provoquer la déformation de certaines pièces de votre produit.

- Éteignez la plaque de cuisson avant d'en retirer la casserole, la poêle, etc.
- Ne laissez pas d'huile chaude sur la plaque de cuisson. Les casseroles contenant de l'huile chaude peuvent s'enflammer.
- Faites attention à vos rideaux et à vos couvertures, car l'huile peut prendre feu pendant la cuisson de certains aliments, comme les frites.
- Le filtre à graisse doit être remplacé au moins une fois par mois. Le filtre à charbon doit être remplacé au moins tous les 3 mois.
- Le produit doit être nettoyé conformément au manuel d'utilisation. Si le nettoyage n'a pas été effectué conformément au manuel d'utilisation, il peut y avoir un risque d'incendie.
- N'utilisez pas de matériaux filtrants ignifuges à la place des filtres actuels.
- Utilisez uniquement des pièces d'origine ou pièces recommandées par le fabricant.
- N'utilisez jamais l'appareil sans le filtre et ne retirez pas les filtres lorsque l'appareil est en marche.
- En cas d'apparition d'une flamme, éteignez votre produit et vos appareils de cuisson.
- En cas d'apparition d'une flamme, couvrez la flamme et n'utilisez jamais d'eau pour l'éteindre.
- Débranchez l'appareil avant chaque nettoyage et lorsque l'appareil n'est pas en cours d'utilisation.
- La pression négative dans l'environnement ne doit pas dépasser 4 Pa (4 x 10 bars) lorsque la hotte de la table de cuisson électrique et les appareils fonctionnant avec un autre type d'énergie que l'électricité fonctionnent simultanément.
- Dans l'environnement dans lequel l'appareil est utilisé, les gaz résiduels des appareils fonctionnant au fioul ou au gaz, tels que le chauffage de la pièce,

1 Instructions importantes en matière de sécurité et d'environnement

doivent être totalement isolés ou l'appareil doit être de type étanche.

- Pour le raccordement du conduit, utilisez des tuyaux d'un diamètre de 120 ou 150 mm. Le raccordement du tuyau doit être aussi court que possible et avoir le minimum de coudes que possible.
- Risque d'étranglement ! Conservez tous les emballages hors de portée des enfants.

ATTENTION: Les pièces accessibles peuvent devenir chaudes lorsqu'elles sont utilisées avec des appareils de cuisson.

- Ne connectez pas la prise du produit aux canaux d'air qui contiennent d'autres fumées.
- La ventilation de la pièce peut être insuffisante lorsque la hotte de la table de cuisson électrique est utilisée en même temps que les appareils fonctionnant au gaz ou avec d'autres combustibles (ceci peut ne pas s'appliquer aux appareils qui rejettent uniquement l'air dans la pièce).

- Les objets placés sur le produit peuvent tomber. Ne posez aucun objet sur le produit.

- Ne brûlez rien sous votre produit.

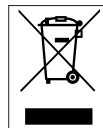
AVERTISSEMENT: Retirez les films protecteurs avant d'installer la hotte.

- Ne laissez jamais des grandes flammes nues sous la hotte lorsqu'elle est en fonctionnement.

- Gardez les friteuses en permanence sous surveillance pendant l'utilisation : de l'huile surchauffée peut prendre feu.

1.2 Conformité avec la Directive DEEE et Mise au rebut des appareils usagés :

Cet appareil est conforme à la directive DEEE. (2012/19/UE). Cet appareil porte le symbole de classification pour les déchets des équipements électriques et électroniques (DEEE).



Ce symbole indique que ce produit ne doit pas être jeté avec les déchets ménagers à la fin de sa vie utile. Les appareils usagés doivent être retournés au point de collecte officiel pour le recyclage des appareils électriques et électroniques. Pour trouver ces systèmes de collecte, veuillez contacter les autorités locales ou le détaillant auprès duquel vous avez acheté le produit. Chaque ménage joue un rôle important dans la récupération et le recyclage des appareils ménagers usagés. L'élimination appropriée des appareils usagés

1 Instructions importantes en matière de sécurité et d'environnement

aide à prévenir les conséquences négatives potentielles pour l'environnement et la santé humaine.

1.3 Conformité avec la directive RoHS

L'appareil que vous avez acheté est conforme à la Directive RoHS de l'UE (2011/65/UE). Il ne contient pas de matières dangereuses et interdites spécifiées dans la directive.

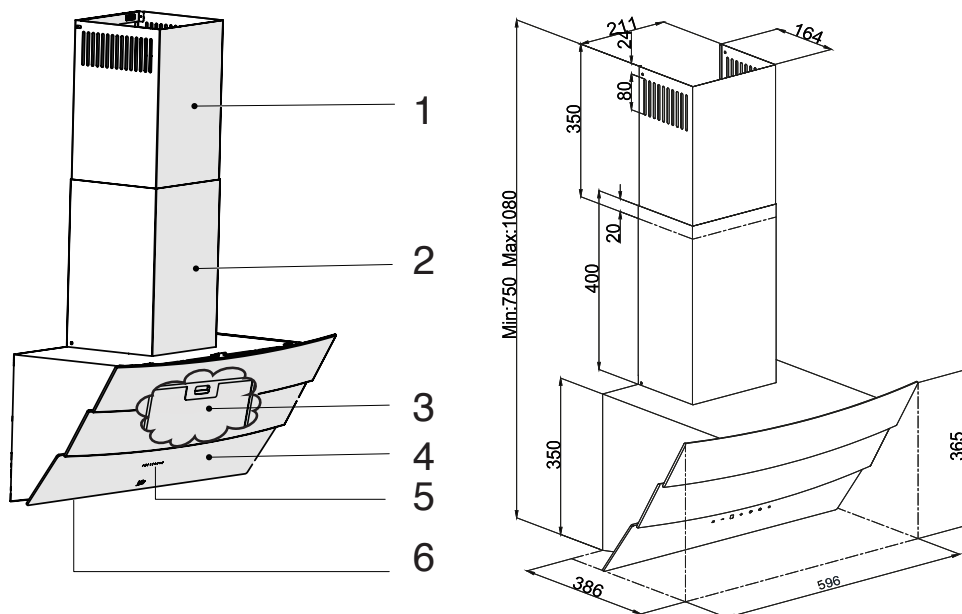
1.4 Informations concernant l'emballage



Les matériaux d'emballage du produit sont fabriqués à partir de matériaux recyclables conformément à notre réglementation nationale sur la protection de l'environnement. Ne jetez pas les matériaux d'emballage avec les déchets domestiques et autres déchets. Déposez-les dans l'un des points de collecte de matériaux d'emballage prévus par l'autorité locale.

2 Apparence générale

2.1 Vue d'ensemble



1. Conduit interne
2. Conduit externe
3. Filtres à huile en aluminium (derrière couvercle en verre)
4. Couvercle en verre
5. Assemblée de contrôle
6. Lampe

2.2 Données techniques

Modèle	HCA92641WH HCA92641BH
Tension d'alimentation	220-240V ~ 50 Hz
Puissance de l'ampoule	2 x 3 W
Puissance du moteur	210 W
Débit - 3 Niveau	648 m ³ /h
Moteur de classe d'isolation	Class F
Classe d'isolation	Classe I

3 Fonctionnement de l'appareil

3.1 Contrôle de l'appareil

	
TOUCHE	FONCTION
A : Lumière Allumée/Éteinte	Vous pouvez éclairer la zone de cuisson en appuyant sur ce bouton. Appuyez à nouveau sur ce bouton pour éteindre la lampe.
B : 1 Bouton gradué	Fait fonctionner l'appareil en 1 ^e vitesse. Lorsque vous appuyez à nouveau sur ce bouton pour éteindre l'appareil, la phase de vitesse de l'écran s'éteint.
C : 2 Bouton gradué	Fait fonctionner l'appareil en 2 ^e vitesse. Lorsque vous appuyez à nouveau sur ce bouton pour éteindre l'appareil, la phase de vitesse de l'écran s'éteint.
D : Bouton de la 3^e étape	Fait fonctionner l'appareil en 3 ^e vitesse. Lorsque vous appuyez à nouveau sur ce bouton pour éteindre l'appareil, la phase de vitesse de l'écran s'éteint.

3.2 Fonctionnement efficace en termes d'économies d'énergie Utilisation

- Lorsque vous utilisez votre appareil, réglez la vitesse en fonction de l'intensité de la vapeur et de l'odeur afin d'économiser de l'énergie.
- Utilisez les vitesses basses (1-2) dans des conditions normales, et les vitesses élevées (3) pour les odeurs et vapeurs intenses.
- Les lampes situées sur la hotte sont destinées à l'éclairage de la zone de cuisson.
- L'utilisation de ces lampes pour l'éclairage de la pièce entraîne une consommation d'énergie inutile et un éclairage insuffisant.

3.3 Instructions d'utilisation

- Votre appareil contient un moteur qui a des vitesses différentes.
- Pour de meilleures performances, nous recommandons d'utiliser des vitesses basses dans des conditions normales et des vitesses élevées en cas fortes odeurs et de vapeur intense.
- Vous pouvez démarrer votre appareil en appuyant sur le bouton de réglage de la vitesse souhaitée. (B, C, D)
- Vous pouvez éclairer la zone de cuisson en appuyant sur la lampe (A).

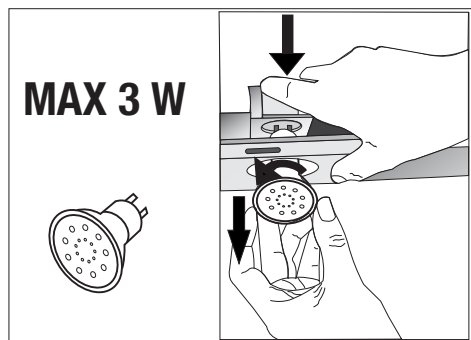
3.4 Arrêt automatique

Votre appareil est doté d'une fonction d'arrêt automatique, qui lui permet de ventiler un peu plus et d'éliminer les odeurs et les vapeurs indésirables dans l'environnement et de s'éteindre automatiquement une fois la cuisson terminée. Pour activer la fonction d'arrêt automatique, appuyez sur le bouton de n'importe quelle étape de vitesse (B, C, D) sur le panneau de contrôle pendant plus de 2 secondes ; la fonction de minuterie de 15 minutes sera activée. Lorsque la fonction d'arrêt automatique est activée, le fait d'appuyer sur le même bouton de vitesse désactive la fonction d'arrêt automatique et le moteur de l'appareil s'arrête. Cette fonction est désactivée lorsque vous passez d'une vitesse à l'autre.

Si vous souhaitez que l'appareil s'arrête automatiquement, vous devez réactiver la fonction d'arrêt automatique.

3 Fonctionnement de l'appareil

3.5 Remplacement de la lampe



Effectuez les branchements électriques de l'appareil. Votre appareil utilise une lampe LED à spot de 3W. Pour remplacer la lampe, il faut pousser vers le bas sur le support par l'arrière, la tourner dans le sens inverse des aiguilles d'une montre et la sortir vers le bas. Appliquez l'opération ci-dessus en sens inverse pour installer de nouvelles lampes.

Ampoule	
Puissance de l'ampoule	3 W
Support / Prise	GZ 10
Voltage de l'ampoule	220 / 240 V
Taille	53 x 50 mm
Code ILCOS	DR/F3-220-240-GZ10-50-53
Flux lumineux	260 lm
Température de couleur corrélée	3000 K

Ce produit contient une source lumineuse de classe d'efficacité énergétique "F".

3.6 Opération avec raccordement au conduit de fumée

-  La vapeur est extraite par le conduit de fumée, qui est fixé à la tête de raccordement sur la hotte.
- Le diamètre du conduit de fumées doit être le même que celui de la bague de raccordement. En position horizontale, le tuyau doit avoir une légère pente ascendante (environ 10°) afin que l'air puisse sortir facilement de la pièce.

3.7 Fonctionnement sans raccordement au réseau d'évacuation des fumées

-  L'air est filtré par le filtre à charbon et recirculé dans la pièce. Le filtre à charbon est utilisé lorsqu'il est impossible d'utiliser un conduit de fumée dans la maison.
- En cas d'utilisation sans conduit, retirez les rabats à l'intérieur de l'adaptateur de conduit.
- Retirez le filtre à huile. Pour installer le filtre à charbon, fixez le filtre sur les languettes en le centrant sur la pièce en plastique des deux côtés du corps du ventilateur. Resserrez-le en tournant à droite ou à gauche.
- Remplacez le filtre à huile en aluminium.

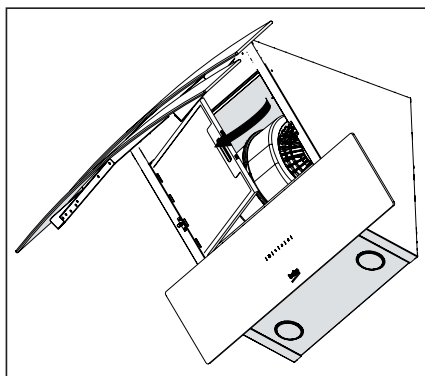
4 Nettoyage et entretien



Avant de procéder au nettoyage et à l'entretien, débranchez le produit ou éteignez l'interrupteur.

4.1 Nettoyage du filtre à huile en aluminium

Ce filtre retient les particules d'huile dans l'air. Les filtres à huile en aluminium peuvent changer de couleur au fur et à mesure qu'ils sont lavés ; c'est normal et cela ne nécessite pas le remplacement de vos filtres à huile en aluminium.



- Poussez le verrou du filtre à huile en aluminium vers l'avant.
- Puis tirez-le légèrement vers le bas et retirez-le. Sinon, vous pouvez plier le filtre. Lavez et rincez les filtres à huile en aluminium avec un détergent liquide et remplacez les filtres à huile en aluminium par leurs douilles en effectuant les étapes indiquées ci-dessus dans l'ordre inverse. Ce filtre retient les particules d'huile dans l'air.



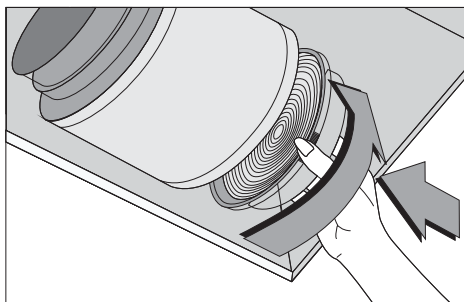
Vous pouvez laver vos filtres à huile en aluminium dans le lave-vaisselle.



ATTENTION: En cas d'utilisation normale, nettoyez votre filtre une fois par mois.

4.2 Remplacement des filtres à carbone

Les filtres désodorisants contiennent du charbon de bois (charbon actif). Des filtres à graisse doivent être installés dans le produit, que des filtres à charbon soient utilisés ou non.



- Retirez le filtre à huile en aluminium.
- Pour retirer le filtre à charbon, retirez le filtre à charbon de son logement en le faisant tourner dans le sens inverse des aiguilles d'une montre à partir de la languette.
- Installez le nouveau filtre à charbon.
- Installez le filtre à huile en aluminium.

ATTENTION



- Le filtre à charbon ne doit jamais être lavé.
- Remplacez les filtres à charbon une fois tous les trois mois.
- Vous pouvez obtenir un filtre à charbon actif auprès des services autorisés.

5 Installation de l'appareil



ATTENTION: Avant de commencer l'installation, lisez les informations de sécurité figurant dans le manuel d'utilisation.

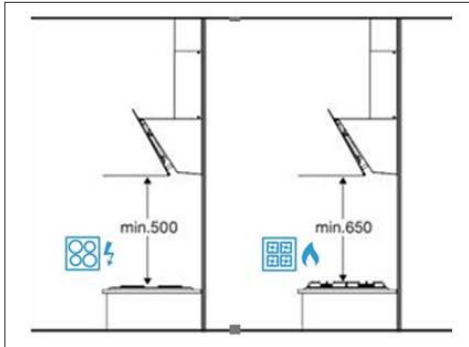


ATTENTION: Si l'installation n'est pas effectuée avec des vis et des stabilisateurs conformément à ces instructions, elle peut entraîner un choc électrique.

Pour l'installation de la hotte, veuillez contacter le Service Autorisé le plus proche.

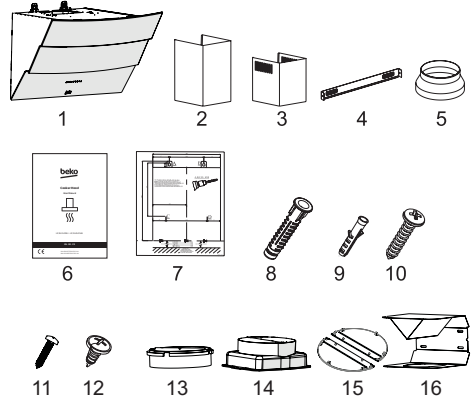
Il est de la responsabilité du client de préparer l'emplacement et l'installation électrique de la hotte.

5.1 Position de l'appareil



- Pour tous les types de hottes de cuisine, la distance d'installation sur les plaques de cuisson au gaz et électriques est de 650 mm au minimum. Pour les **hottes inclinées** uniquement, la distance d'installation sur la **plaque de cuisson électrique** est d'au moins 500 mm.
- La distance doit être mesurée à partir de la surface de la grille pour les cuisinières à gaz, à partir de la surface du verre pour les cuisinières électriques.

5.2 Accessoires d'installation



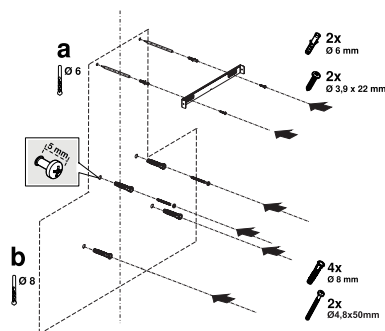
1. Produit
2. Conduit externe
3. Conduit interne
4. Plaque de connexion du conduit
5. Adaptateur de conduit 150/120mm de diamètre
6. Manuel d'utilisation
7. Schéma d'assemblage
8. 4 chevilles en plastique 8 mm de diamètre
9. Cheville en plastique 6 x 6 mm de diamètre
10. Vis de fixation murale 4 x 4,8 x 50
11. Vis plate de connexion de conduit 6 x 3,9 x 22
12. Vis de Connexion de Conduit 4 x 3,5 x 9,5
13. Adaptateur de conduit Ø120mm
14. Adaptateur en Plastic de conduit 150 de diamètre (En option)
15. Pince métallique pour cheminée
16. Déflecteur d'air

Les informations nécessaires pour rendre l'emplacement approprié pour l'installation de la hotte sont données ci-dessous.

5 Installation de l'appareil

5.3 Montage mural

- Le mur doit être plat, droit et avoir une capacité de charge suffisante.
- La profondeur des trous percés doit correspondre à la longueur des boulons.
- Les boulons et chevilles fournis conviennent aux murs en briques. Pour les autres matériaux de construction (par ex. cloisons sèches, plaques, béton poreux), des chevilles et écrous de fixation appropriés doivent être utilisés.



(Figure 1)



ATTENTION: Avant de forer, assurez-vous qu'il n'y a pas de conduites d'électricité, de gaz ou d'eau à proximité des lieux de forage.

Tracez une ligne médiane à partir du plafond perpendiculairement au bord inférieur de la hotte.

Collez le gabarit d'installation fourni dans les accessoires sur la surface où la hotte doit être montée. Lors de cette opération, respectez la hauteur de montage de la hotte.

Il y a une languette au milieu de la plaque de raccordement du conduit de fumée. Placez le point central de cet onglet sur la ligne tracée perpendiculairement au mur. Lors de cette opération, ajustez la hotte en fonction de la hauteur maximale.

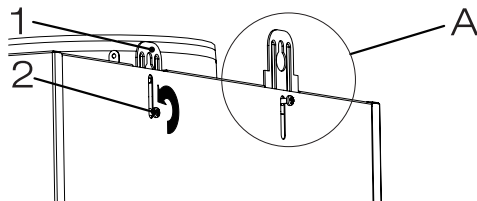
Marquez à l'aide d'un stylo les trous où sera montée la plaque de raccordement du conduit de fumée (Figure 1/a).

Percez les points marqués avec une mèche de $\varnothing 6$ mm et insérez 2 chevilles en plastique dans les trous percés (Figure 1/a).

Fixez la plaque de raccordement au mur avec des vis 3,9 x 22 (Figure 1/a).

Pour assembler le corps du capot, vous pouvez utiliser un foret de $\varnothing 8$ mm pour percer les points A, B, C, D sur le gabarit d'assemblage, et insérer des chevilles en plastique de 4,8 x 50 mm à ces points. (Figure 1/b).

Vis de suspension 2 pièces 4,8 x 50 avec un jeu de 5 mm entre la tête de la vis et le mur (Figure 1/b).



(Figure 2)

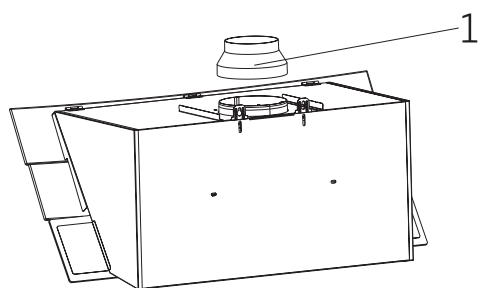
1. Plaque de suspension

2. Vis de Connexion de la Plaque de Suspension

Pour installer votre hotte au mur, il faut desserrer les vis des plaques de suspension montées sur la cabine du moteur et les tirer vers le haut, puis les fixer à nouveau (Figure 2/A).

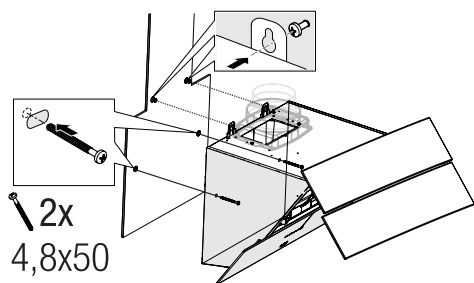
Allumez la vitre d'aspiration de la hotte et retirez le filtre à huile en aluminium.

5 Installation de l'appareil



(Figure 3)

Si la sortie d'air doit être raccordée au conduit d'évacuation d'air de moins de 150 mm, installez l'adaptateur de conduit en plastique de 150/120 mm (Figure 3).

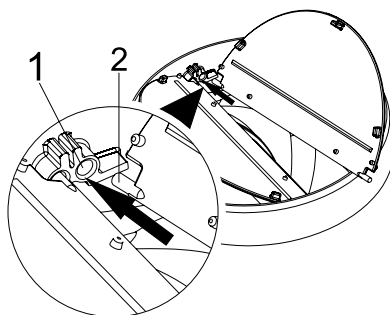


(Figure 4)

Tenez la hotte par son corps et placez-la sur les vis de fixation au mur et serrez les vis (Figure 4).

Fixez la hotte à l'aide de deux vis 4,8 x 50 au mur par le trou de montage à l'intérieur de l'appareil (Figure 4).

5.4 Connexion au conduit



(Figure 5)

1. Douille à clapet

2. Goupille à rabat

Insérez la broche en plastique (Figure 5/zone n° 2) sur la douille de la broche sur l'échappement du moteur (Figure 5/zone n° 1). Ensuite, pliez légèrement le rabat pour insérer l'autre broche sur le rabat et insérez l'autre broche dans sa douille (Figure 5).

Si vous allez utiliser l'adaptateur de conduit de fumée en plastique de Ø 120/150 mm, connectez une extrémité du tuyau à cet adaptateur, si vous ne l'utilisez pas, à la sortie directe sur le produit. Raccordez l'autre extrémité du tuyau à votre conduit de fumée. Vérifiez que ces deux connexions sont suffisamment serrées pour qu'elles ne sortent pas lorsque l'appareil fonctionne à pleine puissance. Assurez-vous que les rabats à l'intérieur du conduit fonctionnent lorsqu'ils sont serrés avec un collier de serrage. Raccordez le conduit de raccordement de la cheminée à l'extérieur de l'adaptateur (Figure 6/a). Si le conduit de raccordement est monté à l'intérieur de l'adaptateur, l'aspiration d'air ne doit pas se produire car le clapet de cheminée qui empêche le retour d'air restera fermé (Figure 6/b). La longueur de la connexion de tuyaux, tout comme le nombre de coudes, doit être la plus petite possible.

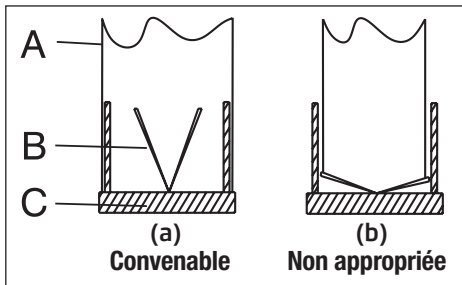
5 Installation de l'appareil

A : Tuyau de sortie de fumées

B : Colliers de serrage

C : Conduit en Plastique

Les vannes sont fermées, puis l'appareil ne fonctionne plus et empêchent l'éventuelle odeur extérieure et la poussière de pénétrer à l'intérieur.

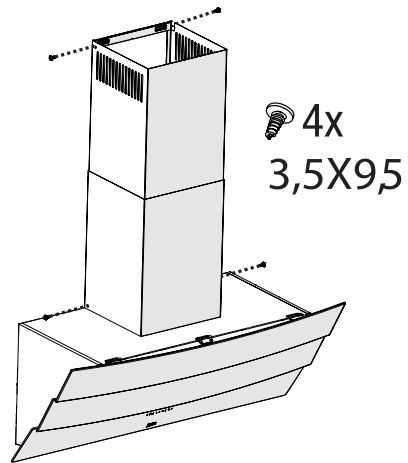


(Figure 6)

5.5 Installation de la hotte sur le conduit

Effectuez le raccordement électrique de votre hotte avant de commencer l'installation du conduit de fumée. Faites glisser les plaques de cheminée autour du corps. Vissez le conduit aux plaques de fixation du conduit disponibles sur la cabine du moteur. (Figure 7).

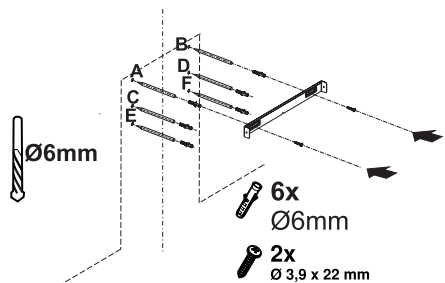
Installez le conduit sur la plaque de fixation du conduit qui est fixée au mur par ses bords extérieurs supérieurs (Figure 7).



(Figure 7)

5.6 Installation d'un déflecteur d'air

Lors de l'utilisation avec le filtre à charbon, un déflecteur d'air est fourni avec votre appareil dans le but de relâcher l'air qui est nettoyé avec le filtre à charbon de la perforation située sur le conduit de fumée. Montez le déflecteur d'air comme ci-dessous.



(Figure 8)

Il y a une languette au milieu de la plaque de raccordement du conduit de fumée. Placez le point central de cet onglet sur la ligne tracée perpendiculairement au mur. Alignez horizontalement et marquez les trous où la plaque de connexion sera montée à l'aide d'un stylo (Figure 8/A, B).

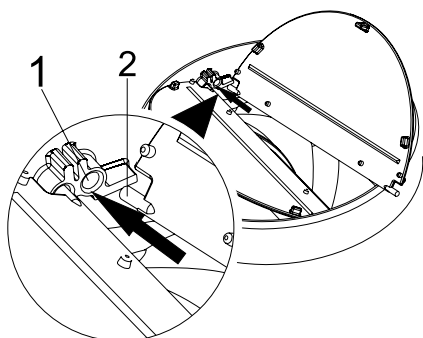
5 Installation de l'appareil

Percez les points marqués avec une mèche de $\varnothing 6$ mm et insérez deux chevilles en plastique de $\varnothing 6$ mm dans les trous percés (Figure 8/A, B).

Fixez la plaque de raccordement au mur avec des vis 3,9 x 22 (Figure 8 A, B).

Pour le montage du déflecteur d'air, percez les points C, D, E, F avec un foret de $\varnothing 6$ mm et tapez sur les chevilles en plastique de $\varnothing 6$ mm (Figure 8).

Assembler le corps de la hotte (Figure 4).

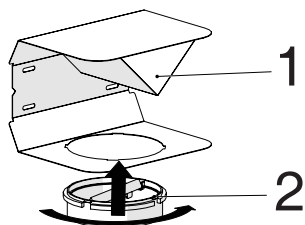


(Figure 9)

1. Douille à clapet

2. Goupille à rabat

Fixez les volets de cheminée à l'adaptateur de conduit en plastique dans le contenu de l'emballage comme suit. Insérez la broche en plastique (Figure 9/zone n° 2) sur la douille de la broche sur l'échappement du moteur (Figure 9/zone n° 1). Ensuite, pliez légèrement le rabat pour insérer l'autre broche sur le rabat et insérez l'autre broche dans sa douille (Figure 9)

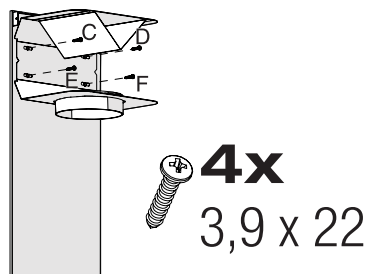


(Figure 10)

1. Déflecteur d'air

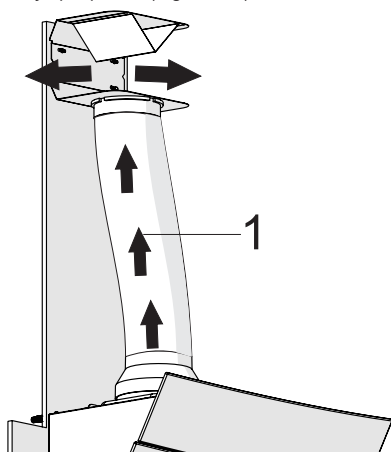
2. Conduit en Plastique

Fixez l'adaptateur de conduit de fumée en plastique, qui est inclus dans l'emballage, dans la direction du déflecteur d'air. Verrouillez l'adaptateur de conduit de fumée en le tournant dans le sens de la flèche (Figure 10).



(Figure 11)

Assemblez le groupe de déflecteurs d'air avec des vis 3,9 x 22 à partir des points C, D, E, F que vous avez déjà préparés (Figure 11).



(Figure 12)

1. Tuyau de sortie d'air en aluminium

Faites le montage du tuyau de sortie d'air (Figure 12).

5 Installation de l'appareil



Vu que la torsion et le pliage du tuyau en aluminium peuvent causer la réduction de la puissance d'aspiration de l'air, évitez de les utiliser autant que possible.

Installez les plaques de la hotte (Figure 7)

6 Dépannage

Dépannage	Problème	Solution
L'appareil ne fonctionne pas.	Vérifiez le fusible.	Il se peut que votre fusible soit coupé ; remettez-le en marche.
L'appareil ne fonctionne pas.	Vérifiez le branchement.	La tension du secteur doit être comprise entre 220 et 240 V.
L'appareil ne fonctionne pas.	Vérifiez le branchement.	Vérifiez si les autres appareils de votre cuisine fonctionnent ou pas.
L'ampoule ne fonctionne pas.	Vérifiez le branchement.	La tension du secteur doit être comprise entre 220 et 240 V.
L'ampoule ne fonctionne pas.	Vérifiez l'interrupteur de l'ampoule.	L'interrupteur de l'ampoule doit être en position « Allumé ».
L'ampoule ne fonctionne pas.	Vérifiez les ampoules.	Les ampoules de l'appareil ne doivent pas être défectueuses.
L'appareil n'aspire pas l'air correctement.	Vérifiez le filtre en aluminium.	L'aluminium du filtre doit être nettoyé au moins une fois par mois en conditions d'utilisation normales.
L'appareil n'aspire pas l'air correctement.	Vérifiez l'évent d'aération.	L'évent d'aération doit être en position « Marche ».
L'appareil n'aspire pas l'air correctement.	Vérifiez le filtre à charbon.	Pour les appareils dotés d'un filtre à charbon, celui-ci doit normalement être remplacé tous les 3 mois.

Arçelik A.Ş.
Karaağaç Caddesi No: 2-6, 34445,
Sütlüce, İstanbul, Türkiye

www.beko.com