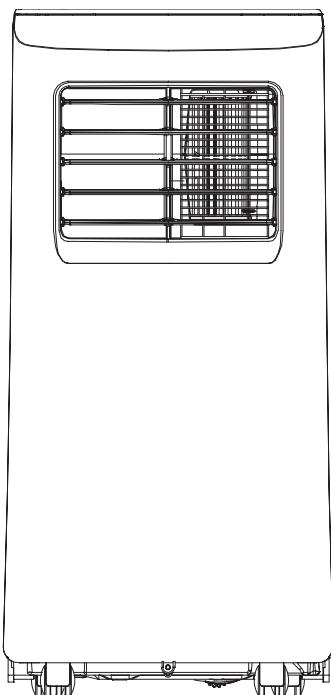


# Local air conditioner

## User Manual



BS207C

EN | FR | NL | DE

07M-8500143200-5220-02

**beko**

# CONTENTS

---

ENGLISH	4-39
FRANÇAIS	41-78
NEDERLANDS	80-118
DEUTSCH	120-158

# Please read this user manual first!

Dear Customer,

Thank you for preferring a Beko product. We hope that you get the best results from your product which has been manufactured with high quality and state-of-the-art technology. Therefore, please read this entire user manual and all other accompanying documents carefully before using the product and keep it as a reference for future use. If you handover the product to someone else, give the user manual as well. Follow all warnings and information in the user manual.

## Meanings of the symbols


Following symbols are used in the various section of this manual:

	Important information or useful hints about usage.
--	--


	Warning for hazardous situations with regard to life and property.
--	--


	Warning to actions that must never perform.
--	---


	Warning for electric shock.
---	-----------------------------

	Warning for hot surfaces.
--	---------------------------

	Do not cover it.
--	------------------

	This symbol shows that the operation manual should be read carefully.
---	---

	This symbol shows that a service personnel should be handling this equipment with reference to the installation manual.
---	---

	This symbol shows that this appliance used a flammable refrigerant. If the refrigerant is leaked and exposed to an external ignition source, there is a risk of fire.
--	---



This product has been produced in environmentally friendly, modern facilities

# CONTENTS

<b>1 Safety instructions</b>	<b>5</b>
<b>2 Features and components</b>	<b>21</b>
2.1 Features.....	21
2.2 Components .....	21
<b>3 Control setting</b>	<b>23</b>
3.1 Control panel operation instructions.....	23
3.2 Operation instructions of remote control .....	24
<b>4 Protection function</b>	<b>26</b>
<b>5 Installation and adjustment</b>	<b>27</b>
5.1 Installation.....	27
<b>6 Drainage instructions</b>	<b>30</b>
<b>7 Maintenance</b>	<b>32</b>
7.1 Clean the surface .....	32
7.2 Clean the filter screen.....	32
7.3 Clean the upper filter screen frame .....	32
<b>8 Unit Storage</b>	<b>33</b>
<b>9 Troubleshooting</b>	<b>34</b>
<b>10 Addendum</b>	<b>36</b>
<b>11 Installation instructions</b>	<b>37</b>
11.1 F-Gas instruction.....	37
<b>12 Specifications</b>	<b>38</b>

The refrigerant used in mobile air conditioners is the environmentally friendly hydrocarbon R290. This refrigerant is odorless, and compared to the alternative refrigerant, the R290 is an ozone-free refrigerant, and its effect is very low.

Please read the instructions before use and repair.

The drawings provided in this manual may not be the same as the physical objects. Please refer to the physical objects.

V2012007

# 1 Safety instructions

## Warning matters:

- Do not use means to accelerate the defrosting process or to clean, other than those recommended by the manufacturer.
- The appliance shall be stored in a room without continuously operating ignition sources (for example: open flames, an operating gas appliance or an operating electric heater.)
- Do not pierce or burn.
- Be aware that refrigerants may not contain an odour.
- Appliance shall be installed, operated and stored in a room with a floor area larger than 7 m<sup>2</sup>
- The appliance must be kept free from obstruction to ensure proper function and mitigate safety hazards.
- Servicing shall be performed only as recommended by the manufacturer.
- The appliance shall be stored in a well-ventilated area where the room size corresponds to the room area as specified for operation.
- Any person who is involved with working on or breaking into a refrigerant circuit should hold a current valid certificate from an industry-accredited assessment authority, which authorises their competence to handle refrigerants safely in accordance with an industry recognised assessment specification.
- Servicing shall only be performed as recommended by the equipment manufacturer. Maintenance and repair requiring the assistance of other skilled personnel shall be carried out under the supervision of the person competent in the use of flammable refrigerants.

## 1 Safety instructions

- All working procedure that affects safety means shall only be carried by competent persons.

### Note:

- The air conditioning is only suitable for indoor use, and is not suitable for other applications.
- Follow local grid interconnection rules while installing the air conditioning and ensure that it is properly grounded. If you have any question on electrical installation, follow the instructions of the manufacturer, and if necessary, ask a professional electrician to install it.
- Place the machine in a flat and dry place and keep a distance of above 50cm between the machine and the surrounding objects or walls.
- After the air conditioning is installed, ensure that the power plug is intact and firmly plugged into the power outlet, and place the power cord orderly to prevent someone from being tripped or pulling out the plug.
- Do not put any object into the air inlet and outlet of the air conditioning. Keep the air inlet and outlet free from obstructions.
- When drainage pipes are installed, ensure that the drainage pipes are properly connected, and are not distorted or bended.
- While adjusting the upper and lower wind-guide strips of the air outlet, pluck it with hands gently to avoid damaging wind-guide strips.



## 1 Safety instructions

### Note:

- When moving the machine, make sure that it is in an upright position.
- The machine should stay away from gasoline, flammable gas, stoves and other heat sources.
- Don't disassemble, overhaul and modify the machine arbitrarily, otherwise it will cause a machine malfunction or even bring harm to persons and properties. To avoid danger, if a machine failure occurs, ask the manufacturer or professionals to repair it.
- Do not install and use the air conditioning in the bathroom or other humid environments.
- Do not pull the plug to turn off the machine.
- Do not place cups or other objects on the body to prevent water or other liquids from spilling into the air conditioning.
- Do not use insecticide sprays or other flammable substances near the air conditioning.
- Do not wipe or wash the air conditioning with chemical solvents such as gasoline and alcohol. When you need to clean the air conditioning, you must disconnect the power supply, and clean it with a half-wet soft cloth. If the machine is really dirty, scrub with a mild detergent.



# 1 Safety instructions

## Note:

- This appliance can be used by children aged from 8 years and above if they have been given supervision or instruction concerning use of the appliance in a safe way and understand the hazards involved. Cleaning and user maintenance shall not be made by children unless they are aged from 8 years and above and supervised. Keep the appliance and its cord out of reach of children aged less than 8 years.
- If the supply cord is damaged, it must be replaced by the manufacturer, its service agent or similarly qualified persons in order to avoid a hazard.
- The appliance shall be installed in accordance with national wiring regulations.
- Do not operate your air conditioner in a wet room such as a bathroom or laundry room.
- This appliance is not intended for use by persons (including children) with reduced physical, sensory or mental capabilities, or lack of experience and knowledge, unless they have been given supervision or instruction concerning use of the appliance by a person responsible for their safety.
- Children should be supervised to ensure that they do not play with the appliance.





# 1 Safety instructions



- Warning Do not use manuals to accelerate the defrosting process or to clean, other than those recommended by the manufacturer. The appliance shall be stored in a room without continuously operation ignition sources (for example: open flames, an operation gas appliance or an operating electric heater.) Do not pierce or burn. Be aware that refrigerants may not contain an odour.
- The appliance shall state the insulation of a residual current device (RCD) having rated residual operating current not exceeding 30mA.
- This appliance is intended to be used in household and similar applications such as
  - Staff kitchen areas in shops, offices and other working environments;
  - farm houses;
  - by clients in hotels, motels and other residential type environments;
  - bed and breakfast type environments;

## Transportation, marking and storage for units

- Transport of equipment containing flammable refrigerants  
Compliance with the transport regulations
- Marking of equipment using signs  
Compliance with local regulations
- Disposal of equipment using flammable refrigerants  
Compliance with national regulations

# 1 Safety instructions

- Storage of equipment/appliances

The storage of equipment should be in accordance with the manufacturer's instructions.

- Storage of packed (unsold) equipment

Storage package protection should be constructed such that mechanical damage to the equipment inside the package will not cause a leak of the refrigerant charge.

The maximum number of pieces of equipment permitted to be stored together will be determined by local regulations.

## 1. Information on servicing

### 1) Checks to the area

Prior to beginning work on systems containing flammable refrigerants, safety checks are necessary to ensure that the risk of ignition is minimised. For repair to the refrigerating system, the following precautions shall be complied with prior to conducting work on the system.

### 2) Work procedure

Work shall be undertaken under a controlled procedure so as to minimise the risk of a flammable gas or vapour being present while the work is being performed.

### 3) General work area

All maintenance staff and others working in the local area shall be instructed on the nature of work being carried out. Work in confined spaces shall be avoided. The area around the workspace shall be sectioned off. Ensure that the conditions within the area have been made safe by control of flammable material.

## 1 Safety instructions

### 4) Checking for presence of refrigerant

The area shall be checked with an appropriate refrigerant detector prior to and during work, to ensure the technician is aware of potentially flammable atmospheres. Ensure that the leak detection equipment being used is suitable for use with flammable refrigerants, i.e. non-sparking, adequately sealed or intrinsically safe.

### 5) Presence of fire extinguisher

If any hot work is to be conducted on the refrigeration equipment or any associated parts, appropriate fire extinguishing equipment shall be available to hand. Have a dry powder or CO<sub>2</sub> fire extinguisher adjacent to the charging area.

### 6) No ignition sources

No person carrying out work in relation to a refrigeration system which involves exposing any pipe work that contains or has contained flammable refrigerant shall use any sources of ignition in such a manner that it may lead to the risk of fire or explosion. All possible ignition sources, including cigarette smoking, should be kept sufficiently far away from the site of installation, repairing, removing and disposal, during which flammable refrigerant can possibly be released to the surrounding space. Prior to work taking place, the area around the equipment is to be surveyed to make sure that there are no flammable hazards or ignition risks. "No Smoking" signs shall be displayed.

### 7) Ventilated area

Ensure that the area is in the open or that it is adequately ventilated before breaking into the system or conducting any hot work. A

## 1 Safety instructions

degree of ventilation shall continue during the period that the work is carried out. The ventilation should safely disperse any released refrigerant and preferably expel it externally into the atmosphere.

### 8) Checks to the refrigeration equipment

Where electrical components are being changed, they shall be fit for the purpose and to the correct specification. At all times the manufacturer's maintenance and service guidelines shall be followed. If in doubt consult the manufacturer's technical department for assistance.

The following checks shall be applied to installations using flammable refrigerants:

- The charge size is in accordance with the room size within which the refrigerant containing parts are installed;
- The ventilation machinery and outlets are operating adequately and are not obstructed;
- If an indirect refrigerating circuit is being used, the secondary circuit shall be checked for the presence of refrigerant;
- Marking to the equipment continues to be visible and legible. Markings and signs that are illegible shall be corrected;
- Refrigeration pipe or components are installed in a position where they are unlikely to be exposed to any substance which may corrode refrigerant containing components, unless the components are constructed of materials which are inherently resistant to being corroded or are suitably protected against being so corroded.

# 1 Safety instructions

## 9) Checks to electrical devices

Repair and maintenance to electrical components shall include initial safety checks and component inspection procedures. If a fault exists that could compromise safety, then no electrical supply shall be connected to the circuit until it is satisfactorily dealt with. If the fault cannot be corrected immediately but it is necessary to continue operation, an adequate temporary solution shall be used. This shall be reported to the owner of the equipment so all parties are advised.

### **Initial safety checks shall include:**

- That capacitors are discharged: this shall be done in a safe manner to avoid possibility of sparking;
- That there no live electrical components and wiring are exposed while charging, recovering or purging the system;
- That there is continuity of earth bonding.

## **2.Repairs to sealed components**

1) During repairs to sealed components, all electrical supplies shall be disconnected from the equipment being worked upon prior to any removal of sealed covers, etc. If it is absolutely necessary to have an electrical supply to equipment during servicing, then a permanently operating form of leak detection shall be located at the most critical point to warn of a potentially hazardous situation.

2) Particular attention shall be paid to the following to ensure that by working on electrical components, the casing is not altered in such a way that the level of protection is affected.

# 1 Safety instructions

This shall include damage to cables, excessive number of connections, terminals not made to original specification, damage to seals, incorrect fitting of glands, etc.

Ensure that apparatus is mounted securely.

Ensure that seals or sealing materials have not degraded such that they no longer serve the purpose of preventing the ingress of flammable atmospheres. Replacement parts shall be in accordance with the manufacturer's specifications.



**Note:** The use of silicon sealant may inhibit the effectiveness of some types of leak detection equipment. Intrinsically safe components do not have to be isolated prior to working on them.

## 3.Repair to intrinsically safe components

Do not apply any permanent inductive or capacitance loads to the circuit without ensuring that this will not exceed the permissible voltage and current permitted for the equipment in use.

Intrinsically safe components are the only types that can be worked on while live in the presence of a flammable atmosphere. The test apparatus shall be at the correct rating.

Replace components only with parts specified by the manufacturer. Other parts may result in the ignition of refrigerant in the atmosphere from a leak.

## 4.Cabling

Check that cabling will not be subject to wear, corrosion, excessive pressure, vibration, sharp edges or any other adverse environmental

## 1 Safety instructions

effects. The check shall also take into account the effects of aging or continual vibration from sources such as compressors or fans.

### **5. Detection of flammable refrigerants**

Under no circumstances shall potential sources of ignition be used in the searching for or detection of refrigerant leaks. A halide torch (or any other detector using a naked flame) shall not be used.

### **6. Leak detection methods**

The following leak detection methods are deemed acceptable for systems containing flammable refrigerants.

Electronic leak detectors shall be used to detect flammable refrigerants, but the sensitivity may not be adequate, or may need re-calibration. (Detection equipment shall be calibrated in a refrigerant-free area.) Ensure that the detector is not a potential source of ignition and is suitable for the refrigerant used. Leak detection equipment shall be set at a percentage of the LFL of the refrigerant and shall be calibrated to the refrigerant employed and the appropriate percentage of gas (25 % maximum) is confirmed.

Leak detection fluids are suitable for use with most refrigerants but the use of detergents containing chlorine shall be avoided as the chlorine may react with the refrigerant and corrode the copper pipe-work.

If a leak is suspected, all naked flames shall be removed/ extinguished. If a leakage of refrigerant is found which requires brazing, all of the refrigerant shall be recovered from the system, or isolated (by means of shut off valves) in a part of the system remote

## 1 Safety instructions

from the leak. Oxygen free nitrogen (OFN) shall then be purged through the system both before and during the brazing process.

### 7. Removal and evacuation

When breaking into the refrigerant circuit to make repairs - or for any other purpose - conventional procedures shall be used. However, it is important that best practice is followed since flammability is a consideration. The following procedure shall be adhered to:

- Remove refrigerant;
- Purge the circuit with inert gas;
- Evacuate;
- Purge again with inert gas;
- Open the circuit by cutting or brazing.

The refrigerant charge shall be recovered into the correct recovery cylinders. The system shall be "flushed" with OFN to render the unit safe. This process may need to be repeated several times. Compressed air or oxygen shall not be used for this task.

Flushing shall be achieved by breaking the vacuum in the system with OFN and continuing to fill until the working pressure is achieved, then venting to atmosphere, and finally pulling down to a vacuum. This process shall be repeated until no refrigerant is within the system. When the final OFN charge is used, the system shall be vented down to atmospheric pressure to enable work to take place. This operation is absolutely vital if brazing operations on the pipe-work are to take place.



## **1** Safety instructions

Ensure that the outlet for the vacuum pump is not close to any ignition sources and there is ventilation available.

### **8.Charging procedures**

In addition to conventional charging procedures, the following requirements shall be followed.

- Ensure that contamination of different refrigerants does not occur when using charging equipment. Hoses or lines shall be as short as possible to minimise the amount of refrigerant contained in them.
- Cylinders shall be kept upright.
- Ensure that the refrigeration system is earthed prior to charging the system with refrigerant.
- Label the system when charging is complete (if not already).
- Extreme care shall be taken not to overfill the refrigeration system.

Prior to recharging the system it shall be pressure tested with OFN. The system shall be leak tested on completion of charging but prior to commissioning. A follow up leak test shall be carried out prior to leaving the site.

### **9.Decommissioning**

Before carrying out this procedure, it is essential that the technician is completely familiar with the equipment and all its detail. It is recommended good practice that all refrigerants are recovered safely. Prior to the task being carried out, an oil and refrigerant sample shall be taken in case analysis is required prior to re-use of

# 1 Safety instructions

reclaimed refrigerant. It is essential that electrical power is available before the task is commenced.

- 1) Become familiar with the equipment and its operation.
- 2) Isolate system electrically.
- 3) Before attempting the procedure ensure that:
  - Mechanical handling equipment is available, if required, for handling refrigerant cylinders;
  - All personal protective equipment is available and being used correctly;
  - The recovery process is supervised at all times by a competent person;
  - Recovery equipment and cylinders conform to the appropriate standards.
- 4) Pump down refrigerant system, if possible.
- 5) If a vacuum is not possible, make a manifold so that refrigerant can be removed from various parts of the system.
- 6) Make sure that cylinder is situated on the scales before recovery takes place.
- 7) Start the recovery machine and operate in accordance with manufacturer's instructions.
- 8) Do not overfill cylinders. (No more than 80 % volume liquid charge).
- 9) Do not exceed the maximum working pressure of the cylinder, even temporarily.

## **1** Safety instructions

- 10) When the cylinders have been filled correctly and the process completed, make sure that the cylinders and the equipment are removed from site promptly and all isolation valves on the equipment are closed off.
- 11) Recovered refrigerant shall not be charged into another refrigeration system unless it has been cleaned and checked.

### **10. Labelling**

Equipment shall be labelled stating that it has been de-commissioned and emptied of refrigerant. The label shall be dated and signed. Ensure that there are labels on the equipment stating the equipment contains flammable refrigerant.

### **11. Recovery**

When removing refrigerant from a system, either for servicing or decommissioning, it is recommended good practice that all refrigerants are removed safely.

When transferring refrigerant into cylinders, ensure that only appropriate refrigerant recovery cylinders are employed. Ensure that the correct number of cylinders for holding the total system charge is available. All cylinders to be used are designated for the recovered refrigerant and labelled for that refrigerant (i.e. special cylinders for the recovery of refrigerant). Cylinders shall be complete with pressure relief valve and associated shut-off valves in good working order. Empty recovery cylinders are evacuated and, if possible, cooled before recovery occurs.

## 1 Safety instructions

The recovery equipment shall be in good working order with a set of instructions concerning the equipment that is at hand and shall be suitable for the recovery of flammable refrigerants. In addition, a set of calibrated weighing scales shall be available and in good working order. Hoses shall be complete with leak-free disconnect couplings and in good condition. Before using the recovery machine, check that it is in satisfactory working order, has been properly maintained and that any associated electrical components are sealed to prevent ignition in the event of a refrigerant release. Consult manufacturer if in doubt.

The recovered refrigerant shall be returned to the refrigerant supplier in the correct recovery cylinder, and the relevant Waste Transfer Note arranged. Do not mix refrigerants in recovery units and especially not in cylinders.

If compressors or compressor oils are to be removed, ensure that they have been evacuated to an acceptable level to make certain that flammable refrigerant does not remain within the lubricant. The evacuation process shall be carried out prior to returning the compressor to the suppliers. Only electric heating to the compressor body shall be employed to accelerate this process. When oil is drained from a system, it shall be carried out safely.

### Fuse parameters of the machine

Type: 5ET or SMT

Voltage: 250V

Current: 3.15 A

## 2 Features and components

### 2.1 Features

Brand new appearance, compact structure, smooth line, simple and generous shape.

Functions of refrigeration, dehumidification, air supply and continuous drainage

Outdoor interface is set high to facility assembly and keep the smooth flow of the heat pipe.

LED displays the control panel, beautiful and fashionable, with high-quality remote control. It adopts a user-friendly remote control design.

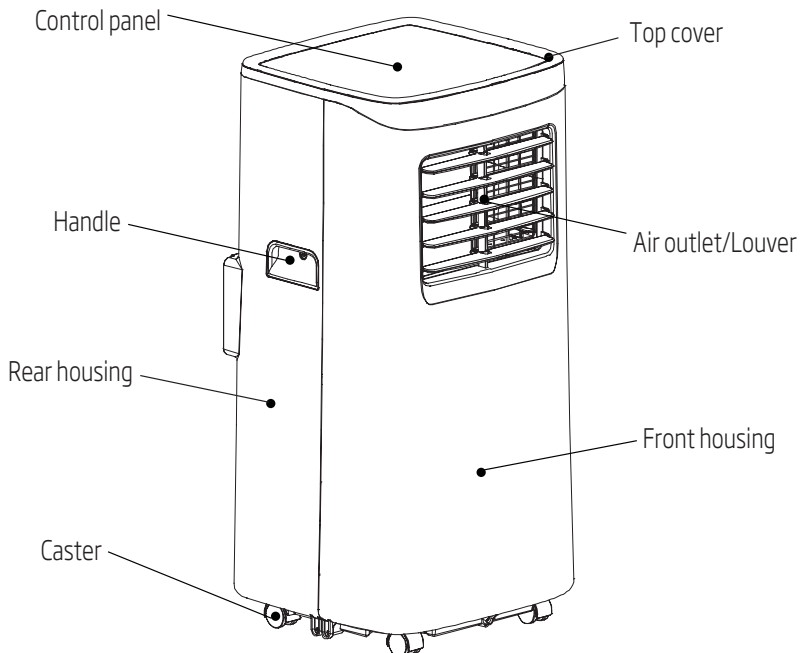
Air filtration capability.

Timing switch function.

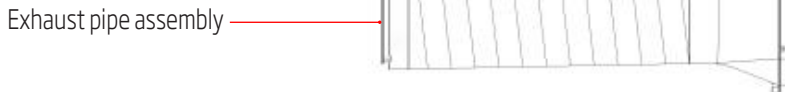
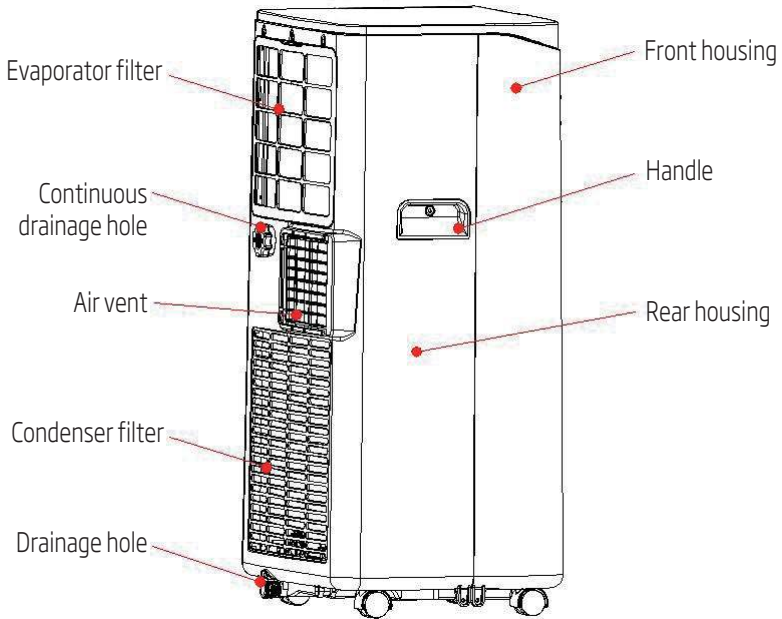
Protection function of automatically restarting the compressor after three minutes, a variety of other protection functions.

The Max operation temperature for the air conditioner Cooling: 35/24°C; Temperature operation range: 7-35°C.

### 2.2 Components



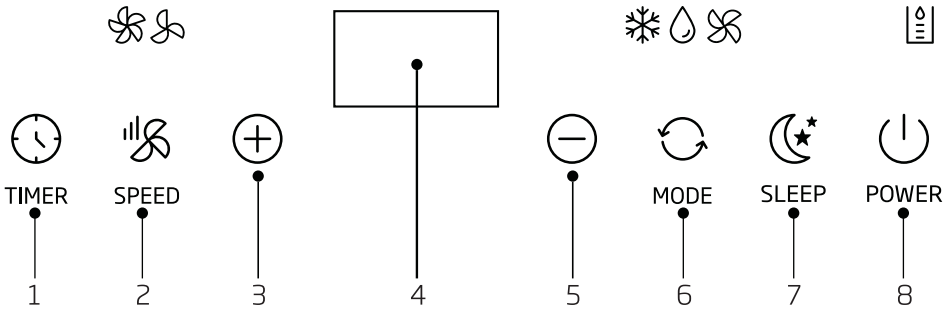
## 2 Features and components



## 3 Control setting

### 3.1 Control panel operation instructions

#### Operation interface



1. Timer key
2. Fan speed selection key
3. Up key
4. Display window
5. Down key
6. Mode selection key
7. Sleep key
8. Power key

1. When the machine is powered on for the first time, the buzzer will play power-on music, and then the machine will get into standby status.
2. **Power Key:** press the key to turn on and turn off the machine. In the case of power on, press the key to turn off the machine; in the case of power off, press the key to turn on the machine.
3. **Mode Selection Key:** In the case of power on, press the key to switch between cooling → dehumidifying → fan mode.
4. **Up Key and Down Key:** press the two keys to change the setting temperature or setting time, operate as follows:  
While setting temperature, press up key or down key to select the required temperature (not available in fan or dehumidifying mode).  
While setting time, press up key or down key to select the required time.

## 3 Control setting

### 5. Wind Speed Selection Key:

In cooling and fan mode, press the key to select high,low wind speed operation. But limited by anti-cold conditions, under certain conditions, it may not run according to the set wind speed.

In dehumidifying mode, pressing the key is invalid, and the fan will forcibly choose low wind speed operation.

### 6. Timing Key:

In the case of power on, press the key to close timing; in the case of power off, press the key to open timing.

Press the key, when the timing symbol flashes, press up and down key to select the required timing value.

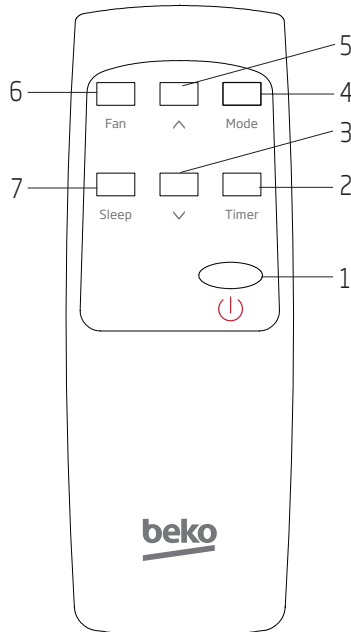
Timing values can be set in 1-24 hours and the timing value is adjusted up or down by one hour.

### 7. Sleep Mode:

In the cooling Mode, Press the UP and Fan Key to turn on the sleep mode, then the unit will work on Energy-Saving and quiet type.

## 3.2 Operation instructions of remote control




The remote control Panel is as follows:





## 3 Control setting

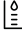
Instructions of key operation of the high-quality remote control are as follows:

1. Power: press the  key to turn on or turn off the machine.
2. Timer: press the Timer key to set timing.
3. Down: press the  key to reduce temperature and timing set value.
4. Mode: press the Mode key to switch between cooling, fan, dehumidifying mode.
5. Up: press the  key to increase temperature and timing set value.
6. Fan: press the Fan key to select high, low wind speed.
7. Sleep mode: press the Sleep key to turn on the sleep mode.

**1. Frost Protection Function**

In cooling, dehumidifying or economic power saving mode, if the temperature of the exhaust pipe is too low, the machine will automatically enter protection status; if the temperature of the exhaust pipe rises to a certain temperature, it can automatically revert to normal operation.

**2. Overflow Protection Function**

When water in the water pan exceeds the warning level, the machine will automatically sound an alarm, and the “” indicator light will flash. At this point, you need to move the drainage pipe connecting the machine or the water outlet to sewer or other drainage area to empty the water (details see *Drainage Instructions* at the end of this chapter). After the water is emptied, the machine will automatically return to the original state.

**3. Protection Function of the Compressor**

To increase the service life of the compressor, it has a 3-minute delay booting protection function after the compressor is turned off.

## 5 Installation and adjustment

### 5.1 Installation



**Warning:** before using the mobile air conditioning, keep it upright for at least two hours.

The air conditioning can be easily moved in the room. In the moving process, ensure that the air conditioning is in the upright position and the air conditioning should be placed on a flat surface. Do not install and use the air conditioning in the bathroom or other humid environments.

1. Install the heat pipe assembly (as shown in Fig. 1)

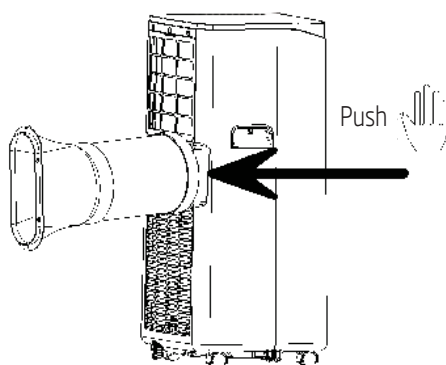


Fig. 1

- 1) Take out the outer connector assembly and the exhaust pipe assembly, and remove the plastic bags;
  - 2) Insert the heat pipe assembly (the end of the exhaust joint) into the back panel vent slot (push to the left) and complete the assembly (as shown in fig. 1).
2. Installation of window sealing plate components
- 1) Half open the window, and mount the window sealing plate assembly to the window (as shown in Fig. 2 and Fig. 3). Components can be placed in horizontal and vertical direction.
  - 2) Pull various components of the window sealing plate assembly open, adjust their opening distance to bring both ends of the assembly into contact with the window frame, and fix various components of the assembly.

## 5 Installation and adjustment

### Note:



1. The flat end of the exhaust pipe joints must be snapped into place.
2. The pipe cannot be distorted nor has substantial turning (greater than 45°). Keep the ventilation of the exhaust pipe not blocked.

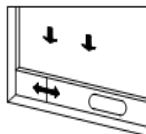


Fig. 2

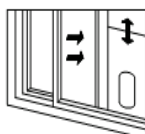


Fig. 3

### 3. Install the body

- 1) Move the machine with installed heat pipe and fittings before the window, and the distance between the body and walls or other objects shall be least 50 cm (as shown in Fig. 4).

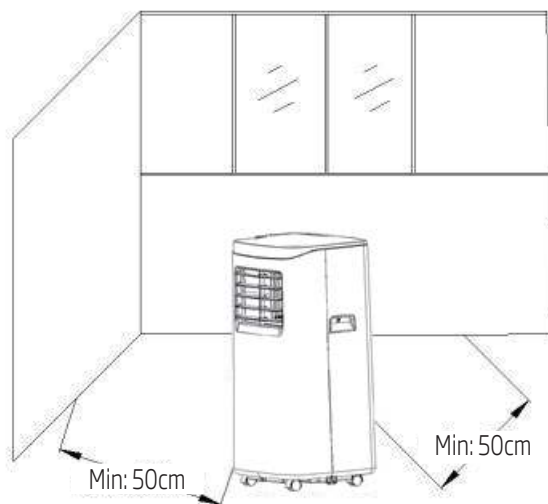


Fig. 4

- 2) Elongate the exhaust pipe and snap the flat end of the exhaust pipe joints into the hole of the window sealing plate assembly (as shown in Fig. 5 and Fig. 6).

## 5 Installation and adjustment

### Note:



1. The flat end of the exhaust pipe joints must be snapped into place.
2. The pipe cannot be distorted nor has substantial turning (greater than 45°). Keep the ventilation of the exhaust pipe not blocked.

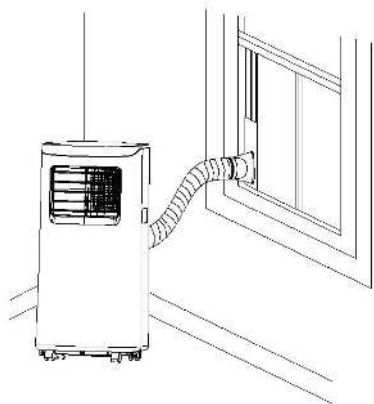


Fig. 5

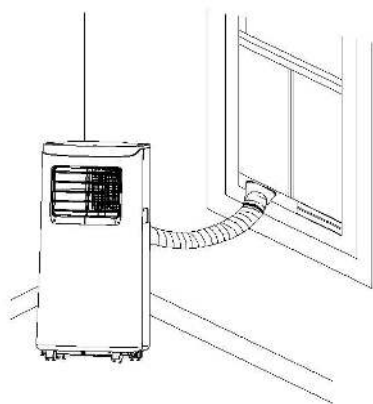


Fig. 6

### Important notice:



The length of the exhaust hose shall be 280~1,500mm, and this length is based on the specifications of the air conditioning. Do not use extension tubes or replace it with other different hoses, or this may cause a malfunction. Exhaust host must be not blocked; otherwise it may cause overheating.

## 6 Drainage instructions

This machine has two drainage methods: manual drainage and continuous drainage.

1. Manual drainage:

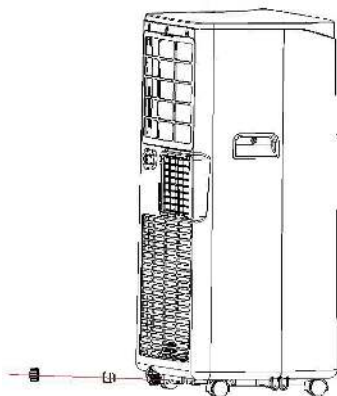
- 1) When the machine stops after the water is full, turn off the machine power and unplug the power plug.



**Note:** Please move the machine carefully, so as not to spill the water in the water pan at the bottom of the body.

2) Place the water container below the side water outlet behind the body.

- 3) Unscrew the drainage cover and unplug the water plug, the water will automatically flow into the water container.



**Note:**



1. Keep the drainage cover and the water plug properly.
2. During drainage, the body can be tilted slightly backwards.
3. If the water container cannot hold all the water, before the water container is full, stuff the water outlet with the water plug as soon as possible to prevent water from flowing to the floor or the carpet.
4. When the water is discharged, stuff the water plug, and tighten the drainage cover.

## 6 Drainage instructions

2. Continuous drainage, as shown in figure:

- 1) Unscrew the drainage cover, and unplug the water plug.
- 2) Set the drainage pipe into the water outlet.
- 3) Connect the drainage pipe to the bucket.

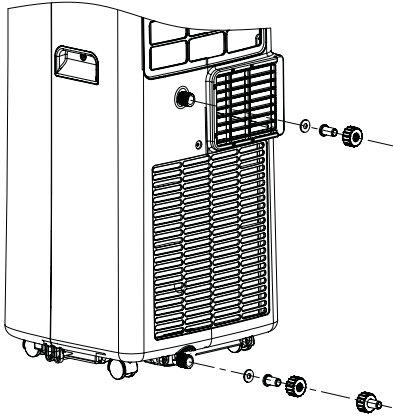


Fig.1

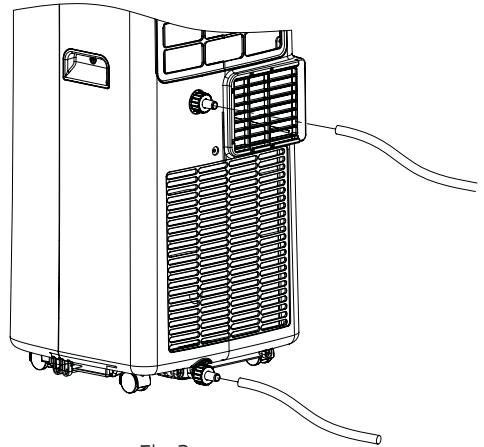


Fig.2

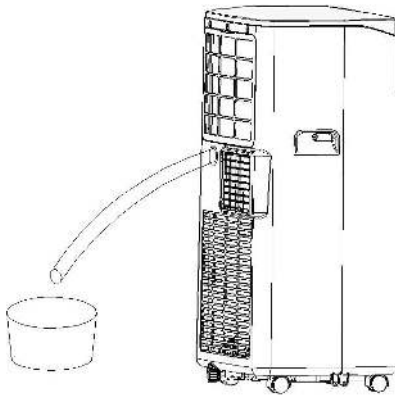


Fig.3

## 7 Maintenance

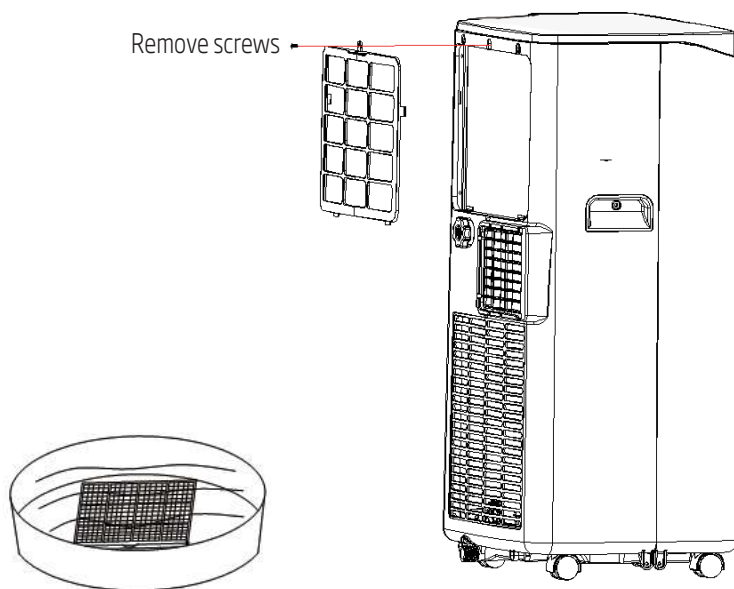
**Cleaning:** before cleaning and maintenance, turn off the machine and unplug the plug.

### 7.1 Clean the surface

Clean with surface of machine with a wet soft cloth. Don't use chemicals, such as benzene, alcohol, gasoline, etc; otherwise, the surface of the air conditioning will be damaged or even the whole machine will be damaged.

### 7.2 Clean the filter screen

If the filter screen is clogged with dust, and the effectiveness of the air conditioning is reduced, be sure to clean the filter screen once every two weeks.



### 7.3 Clean the upper filter screen frame

1. Unscrew one screw fixed by evaporator filter net and back shell with screwdriver, and take out evaporator filter net.
2. Put the evaporator filter screen into warm water with neutral detergent (about 40°C / 104°F) and dry it in the shade after rinsing clean.



## 8 Unit Storage

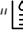
1. Unscrew the drainage cover, unplug the water plug, and discharge the water in the water pan into other water containers or directly tilt the body to discharge the water into other containers.
2. Turn on the machine, adjust it to low-wind ventilation mode, and maintain this state until the drainage pipe becomes dry, so as to keep the inside of the body in a dry state and prevent it from mildewing.
3. Turn off the machine, unplug the power plug, and wrap the power cord around the wrapping post; install the water plug and the drainage cover.
4. Remove the exhaust pipe and keep it properly.
5. Cover the air conditioning with a plastic bag. Put the air conditioning in a dry place, keep it out of the reach of children, and take dust control measures.
6. Remove batteries of the remote control and keep them properly.



**Note:** Ensure that the body is placed in a dry place and keep all machine components properly.

## 9 Troubleshooting

Do not repair or disassemble the air conditioning by yourself. Unqualified repair will lead to failure of the warranty card, and may cause damage to users or their properties.

Problems	Reasons	Solutions
The air conditioning does not work.	There is no electricity.	Turn it on after connecting it to a socket with electricity.
	The overflow indicator “  ” light up.	Discharge the water inside.
	The ambient temperature is too low or too high	Recommend to use the machine in at the temperature of 7-35°C (44-95°F).
	In cooling mode, the room temperature is lower than the set temperature;	Change the set temperature.
	In dehumidification mode, the ambient temperature is low.	The machine is placed in a room with an ambient temperature of greater than 17°C (62°F).
The cooling effect is not good	There is direct sunlight.	Pull the Curtain.
	Doors or windows are open; there are a lot of people; or in cooling mode, there are other sources of heat.	Close doors and windows, and add new air conditioning.
	The filter screen is dirty.	Clean or replace the filter screen.
	The air inlet or outlet is blocked.	Clear obstructions.
Big noise	The air conditioning is not placed on a flat surface.	Put the air conditioning on a flat and hard place (to reduce noise).
Compressor does not work.	Overheat protection starts.	Wait for 3 minutes until the temperature is lowered, and then restart the machine.
The remote control does not work.	The distance between the machine and the remote control is too far.	Let the remote control get close to the air conditioning, and make sure that the remote control directly faces to the direction of the remote control receiver.
	The remote control is not aligned with the direction of the remote control receiver.	
	Batteries are dead.	Replace batteries.

## 9 Troubleshooting

Problems	Reasons	Solutions
Displays 'E1'.	The room temperature sensor is abnormal.	Check the room temperature sensor and related circuitry.
Displays 'E2'.	The pipe temperature sensor is abnormal.	Check the pipe temperature sensor and related circuitry.

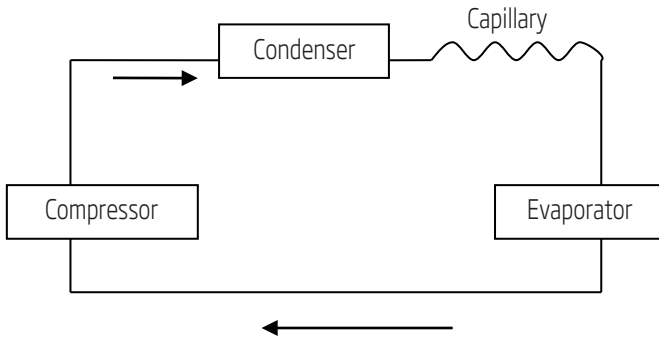


**Note:** If problems not listed in the table occur or recommended solutions do not work, please contact the professional service organization.

## 10 Addendum

### Schematic diagram for air conditioning

(The specific technical parameters of the machine shall be subject to the nameplate on the product)



Treatment: Don't put the abandoned machine with other unsorted waste together. Such waste shall be placed separately for other special use.



This product complies with EU WEEE Directive (2012/19/EU). This product bears a classification symbol for waste electrical and electronic equipment (WEEE).

This symbol indicates that this product shall not be disposed with other household wastes at the end of its service life. Used device must be returned to official collection point for recycling of electrical and electronic devices. To find these collection systems please contact to your local authorities or retailer where the product was purchased. Each household performs important role in recovering and recycling of old appliance. Appropriate disposal of used appliance helps prevent potential negative consequences for the environment and human health.

# 11 Installation instructions

## 11.1 F-Gas instruction

This product contains fluorinated greenhouse gases.

The fluorinated greenhouse gases are contained in hermetically sealed equipment.

Installs, services, maintains, repairs, checks for leaks or decommissions equipment and product recycling should be carried out by natural persons that hold relevant certificates.

If the system has a leakage detection system installed, leakage checks should be performed at least every 12 months, make sure system operate properly.

If product must be performed leakage checks, it should specify Inspection cycle, establish and save records of leakage checks.



**Note:** For hermetically sealed equipment, local air conditioner, window air conditioner and dehumidifier, if CO<sub>2</sub> equivalent of fluorinated greenhouse gases is less than 10 tonnes, it should not perform leakage checks.

## 12 Specifications

Beko Model Name	BS207C
Brand	Beko
Refrigerant	R290
Total Refrigerant Amount (g)	130
Climate Class	T1
Heating Type	-
Control Type	Remote Control
Cooling Capacity (Btu/h)	6500
Cooling Capacity (W)	1905
Energy Efficiency Cooling (W/W)	2.6
Energy Level-Cooling	A
Cooling Power Input (W)	732
Voltage/Frequency (V/Hz)	220-240V~50Hz
Cooling Running Current (A)	3.2
Noise Power Level (dBA) (Sound Power)	65/-/-
Air flow volume ( m <sup>3</sup> /h )	300
Moisture removal (lt/h)	0.8
Working Temperature Range at Cooling (°C)	16-35
Unit Size (WxHxD) mm	305×678×328
Net Weight (kg)	19

1. Specification are standard values calculate based on rated operation conditions. They will vary in difference work condition.
2. Our company has quick technical improvements. There will be no prior notice for any change of technical data. Please read nameplate on the air-conditioner.
3. Rated value is tested under 35/24(In.)35/24(Out).



# Veillez d'abord lire ce manuel d'utilisation !

Chère cliente, cher client,

Nous vous remercions d'avoir acheté un produit Beko. Nous espérons que ce produit vous apportera entière satisfaction. Tous nos produits sont fabriqués dans une usine moderne et font l'objet d'un contrôle de qualité minutieux. À cet effet, veuillez lire en intégralité le présent manuel avant d'utiliser cet appareil et conservez-le soigneusement pour une utilisation ultérieure. Si vous remettez le produit à un autre utilisateur, remettez-le-lui avec le manuel de l'utilisateur. Veillez à bien respecter les consignes et les instructions figurants dans le manuel d'utilisation.


## Signification des pictogrammes

Vous trouverez les symboles suivants dans ce manuel d'utilisation :

	Informations importantes et conseils utiles concernant l'utilisation de l'appareil.
--	---

	Ce symbole indique qu'il faut lire attentivement le manuel d'utilisation.
---	---

	<b>DANGER</b> : Avertissement à propos des situations dangereuses qui pourraient entraîner des blessures ou des dégâts matériels.
--	---

	Ce symbole indique qu'un technicien doit manipuler cet équipement en suivant les instructions du manuel d'installation.
---	---

	Avertissement relatif aux actions à ne jamais effectuer.
--	--

	Ce symbole indique que cet appareil utilise un réfrigérant inflammable. Si le réfrigérant a fui et est exposé à une source d'allumage externe, il y a un risque d'incendie.
--	---

	Risque d'électrocution.
---	-------------------------

	Attention ! Surfaces chaudes !
--	--------------------------------

	Ne pas couvrir.
--	-----------------



Ce produit a été fabriqué dans le respect de l'environnement et dans des installations modernes.



# Tables des matières

<b>1</b>	<b>Consignes de sécurité</b>	<b>42</b>
<b>2</b>	<b>Caractéristiques et composants</b>	<b>60</b>
2.1	Caractéristiques .....	60
2.2	Composants.....	60
<b>3</b>	<b>Réglage des paramètres</b>	<b>62</b>
3.1	Instructions de fonctionnement du panneau de commande .....	62
3.2	Instructions de la télécommande .....	63
<b>4</b>	<b>Fonction de protection</b>	<b>65</b>
<b>5</b>	<b>Installation et mise en place</b>	<b>66</b>
5.1	Installation.....	66
<b>6</b>	<b>Instructions de vidange</b>	<b>69</b>
<b>7</b>	<b>Entretien</b>	<b>71</b>
7.1	Nettoyage de la surface .....	71
7.2	Nettoyage du filtre.....	71
7.3	Nettoyage du châssis du filtre supérieur .....	71
<b>8</b>	<b>Rangement de l'appareil</b>	<b>72</b>
<b>9</b>	<b>Dépannage</b>	<b>73</b>
<b>10</b>	<b>Annexe</b>	<b>75</b>
<b>11</b>	<b>Instructions d'installation</b>	<b>76</b>
11.1	Consignes de la F-Gaz.....	76
<b>12</b>	<b>Spécifications</b>	<b>77</b>

Le réfrigérant utilisé dans les climatiseurs mobiles est le R290, un gaz respectueux de l'environnement. Ce réfrigérant est inodore, et contrairement à d'autres réfrigérants, le R290 est sans ozone et a un effet très faible sur la couche d'ozone.

Veuillez lire les instructions avant d'utiliser ou de réparer l'appareil.

Les schémas fournis dans ce manuel ne sont pas forcément identiques au produit réel. Reportez-vous aux produits réels.

# 1 Consignes de sécurité

## Avertissements :

- N'utilisez aucun moyen pour accélérer le processus de dégivrage ou pour nettoyer l'appareil autres que ceux recommandés par le fabricant.
- L'appareil doit être entreposé dans une salle sans sources d'allumage fonctionnant en continu (par exemple : des flammes nues, un appareil à gaz ou un appareil de chauffage électrique).
- Ne pas percer ni brûler.
- Sachez que les réfrigérants peuvent être inodores.
- L'appareil doit être installé, utilisé et entreposé dans une salle dont la surface est supérieure à 7 m<sup>2</sup>.
- Il faut dégager l'appareil de tout obstacle afin d'assurer son bon fonctionnement et d'atténuer les risques pour la sécurité.
- L'entretien doit être réalisé conformément aux recommandations du fabricant.
- L'appareil doit être entreposé dans une salle bien aérée dont la taille correspond à la taille spécifiée pour son fonctionnement.
- Toute personne qui travaille sur un circuit de refroidissement ou l'ouvre doit être titulaire d'un certificat valable et en cours de validité délivré par une autorité d'évaluation agréée par l'industrie, attestant de sa compétence à manipuler les réfrigérants en toute sécurité, conformément à une norme d'évaluation reconnue par l'industrie.
- L'entretien doit être effectué selon les recommandations du fabricant de l'équipement. La maintenance et la réparation nécessitant l'assistance d'autres techniciens qualifiés doivent être réalisées sous la supervision de la personne compétente en utilisation de réfrigérants inflammables.
- Toute procédure opérationnelle ayant trait aux mesures de sécurité de l'appareil doit être réalisée par une personne compétente exclusivement.

### Remarque :

- Le climatiseur est exclusivement destiné à un usage intérieur, il n'est pas adapté à d'autres applications.
- Respectez les règles d'interconnexion de votre réseau local lors de l'installation du climatiseur et assurez-vous que l'appareil soit correctement mis à la terre. Pour toute question à propos de l'installation électrique, suivez les instructions du fabricant, et si nécessaire, demandez à un électricien qualifié d'installer l'appareil.
- Placez l'appareil sur une surface plate et sèche en respectant une distance minimum de 50 cm entre l'appareil et les objets ou les parois environnants.
- Après avoir installé le climatiseur, assurez-vous que la prise d'alimentation est intacte et fermement branchée dans la prise murale, puis disposez le cordon d'alimentation de manière à éviter qu'une personne trébuche ou le débranche par inadvertance.
- Ne placez aucun objet dans l'entrée ou la sortie d'air du climatiseur. Gardez l'entrée et la sortie d'air libre de toute obstruction.
- Lorsque les tuyaux de vidange sont installés, assurez-vous qu'ils soient correctement branchés et qu'ils ne sont pas tordus ou pliés.
- Pour ajuster et retirer les événements supérieurs et inférieurs de la sortie d'air, saisissez-les délicatement pour éviter de les endommager.



### Remarque :

- Lors du déplacement de l'appareil, veillez à ce qu'il reste debout.
- L'appareil doit être maintenu à distance de tout carburant, gaz inflammable, four et autres sources de chaleur.
- Ne tentez pas de démonter, rénover ou modifier l'appareil de manière hasardeuse, car cela pourrait causer un dysfonctionnement de l'appareil, voire mettre en danger les biens matériels ou les personnes. Pour éviter tout danger, en cas de défaillance de l'appareil, sollicitez l'aide du fabricant ou d'un professionnel pour le réparer.
- Ne pas installer ou utiliser le climatiseur dans une salle de bains ou dans un autre endroit humide.
- Ne débranchez pas la prise pour éteindre l'appareil.
- Pour éviter tout déversement d'eau ou d'un autre liquide dans le climatiseur, veillez à ne placer aucun verre ou autre contenant sur l'appareil.
- N'utilisez pas d'insecticide en aérosol ou d'autres substances inflammables à proximité du climatiseur.
- Ne tentez pas d'essuyer ou de laver le climatiseur à l'aide de solvants chimiques tels que de l'essence ou de l'alcool. Lorsque vous souhaitez nettoyer le climatiseur, débranchez l'alimentation puis nettoyez l'appareil avec un chiffon doux semi-humide. Si l'appareil est particulièrement sale, frottez-le à l'aide d'un détergent doux.



### Remarque :

- Cet appareil peut être utilisé par des enfants âgés d'au moins 8 ans et par des personnes ayant des capacités physiques, sensorielles ou mentales réduites ou dénuées d'expérience ou de connaissance, s'ils (si elles) sont correctement surveillé (es) ou si des instructions relatives à l'utilisation de l'appareil en toute sécurité leur ont été données et si les risques encourus ont été appréhendés. Les enfants ne doivent pas jouer avec l'appareil. Le nettoyage et l'entretien par l'utilisateur doivent pas être effectués par des enfants sans surveillance.
- Si le cordon d'alimentation est endommagé, il doit être remplacé par le constructeur, une personne mandatée pour faire le SAV ou toute autre personne qualifiée afin d'éviter toute mise en danger.
- Cet appareil doit être installé conformément aux réglementations nationales en matière de câblage.
- Ne faites pas fonctionner votre climatiseur dans un local humide tel qu'une salle de bain ou une buanderie.
- Il faut surveiller les enfants afin que ces derniers ne jouent pas avec l'appareil.



## 1 Consignes de sécurité



- Avertissement : N'utilisez aucun moyen pour accélérer le processus de dégivrage ou pour nettoyer l'appareil autres que ceux recommandés par le fabricant. L'appareil doit être conservé dans une pièce sans sources d'allumage en fonctionnement continu (par exemple : flammes nues, appareil à gaz ou radiateur électrique en fonctionnement.) Ne pas percer ni brûler. Sachez que les réfrigérants peuvent être inodores.
- L'appareil indiquera l'isolement d'un disjoncteur différentiel à courant résiduel nominal ne dépassant pas 30 mA.
- Cet appareil est destiné à un usage domestique et n'est pas destiné aux utilisations suivantes :
  - coin cuisine dédié aux employés dans une boutique, un bureau et tout autre environnement de travail ;
  - fermes ;
  - clients d'hôtels, motels et autres environnements de type résidentiel ;
  - environnements de type bed-and-breakfast ;

### Transport, marquage et entreposage des unités

- Transport d'équipements contenant des réfrigérants inflammables  
Conformité avec la réglementation de transport
- Marquage de l'équipement avec des panneaux  
Conformité avec la réglementation nationale

## 1 Consignes de sécurité

- Mise au rebut d'un équipement utilisant des réfrigérants inflammables  
Conformité avec la réglementation nationale
- Entreposage d'équipements/appareils  
L'entreposage d'équipements doit être conforme aux indications du constructeur.
- Entreposage d'équipements emballés (non vendus)  
Une protection de l'emballage d'entreposage doit être réalisée de façon à ce que des dommages mécaniques à l'équipement situé à l'intérieur de l'emballage ne cause pas une fuite de la charge de réfrigérant.  
Le nombre de pièces maximum de l'équipement autorisé à être entreposé ensemble sera déterminé par la réglementation locale.

### 1. Informations sur l'entretien

#### 1) Vérifications dans la zone

Avant de commencer un travail sur des systèmes contenant des réfrigérants inflammables, il faut faire des vérifications de sécurité afin de s'assurer que le risque d'allumage est réduit au minimum. Pour une réparation du système de réfrigérant, il faut prendre les précautions suivantes avant de procéder à un travail sur le système.

#### 2) Procédure de travail

Les travaux doivent être entrepris dans le cadre d'une procédure contrôlée afin de réduire au minimum le risque que des gaz ou des vapeurs inflammables soient encore présents pendant que le travail est effectué.

## 1 Consignes de sécurité

### 3) Zone de travail générale

Tout le personnel de maintenance et les autres personnes travaillant dans la zone locale doivent avoir reçu des instructions sur la nature du travail réalisé. Évitez de travailler dans des espaces confinés. La zone autour de l'espace de travail doit être délimitée. Vérifiez que les conditions à l'intérieur de cette zone ont été sécurisées par contrôle de matériaux inflammables.

### 4) Vérification de la présence de réfrigérant

La zone doit être vérifiée avec un détecteur de réfrigérant approprié avant et pendant le travail, afin que le technicien soit assuré d'être conscient d'atmosphères potentiellement inflammables. Assurez-vous que le matériel utilisé pour détecter les fuites convient à une utilisation avec des réfrigérants inflammables, c'est-à-dire sans étincelles, étanchéifié de façon adéquate ou intrinsèquement sûr.

### 5) Présence d'un extincteur d'incendie

Si un travail à chaud est mené sur l'équipement de réfrigération ou des pièces associées, un équipement d'extinction d'incendie approprié doit être à portée de main. Vous devez avoir un extincteur à poudre ou à CO<sub>2</sub> adjacent à la zone de chargement.

### 6) Pas de sources d'allumage

Personne n'effectuant un travail lié à un système de réfrigération impliquant l'exposition de tuyauterie contenant ou ayant contenu un réfrigérant inflammable ne doit utiliser de sources d'allumage de façon à ce que cela puisse provoquer un risque d'incendie ou d'explosion. Toutes les sources d'allumage possibles, y compris la fumée de cigarette, doivent rester à une distance suffisante du



## 1 Consignes de sécurité

site d'installation, de réparation, d'enlèvement et de mise au rebut, durant lesquels un réfrigérant inflammable peut potentiellement être libéré dans l'espace environnant. Avant le début du travail, la zone autour de l'équipement doit être étudiée pour s'assurer qu'il n'y a pas de danger inflammable ni de risque d'allumage. Des pancartes « Interdiction de fumer » doivent être installées.

### 7) Zone aérée

Vérifiez que la zone est en plein air ou aérée correctement avant d'ouvrir le système ou d'effectuer un travail à chaud. Un certain niveau d'aération doit se poursuivre pendant la réalisation du travail. La ventilation doit disperser en toute sécurité tout réfrigérant libéré et de préférence l'expulser de façon externe dans l'atmosphère.

### 8) Vérifications sur l'équipement de réfrigération

Si des composants électriques sont en cours de changement, ils doivent convenir à cet usage et à la bonne spécification. Les instructions de maintenance et d'entretien du fabricant doivent toujours être suivies. En cas de doute, adressez-vous au service technique du fabricant.

Les vérifications suivantes doivent être appliquées aux installations utilisant des réfrigérants inflammables :

- La taille de charge dépend de la taille de la salle dans laquelle les pièces contenant du réfrigérant sont installées ;
- La machinerie et les sorties de ventilation fonctionnent de façon adéquate et ne sont pas obstruées ;
- Si un circuit de refroidissement indirect est utilisé, la présence de réfrigérant sera recherchée au niveau du circuit secondaire ;

## 1 Consignes de sécurité

- Le marquage apposé sur l'équipement doit rester visible et lisible. Corrigez le marquage et les panneaux illisibles ;
- Le tuyau de réfrigération ou les composants du système sont installés dans une position où ils sont susceptibles d'être exposés à des substances pouvant corroder les composants qui contiennent du réfrigérant, sauf si les composants sont constitués de matériaux résistants à la corrosion ou correctement protégés contre la corrosion.

### 9) Vérifications sur les dispositifs électriques

Les réparations et la maintenance des composants électriques doivent inclure des vérifications de sécurité initiales et des procédures d'inspection des composants. S'il y a une défaillance pouvant compromettre la sécurité, alors aucune alimentation électrique ne doit être raccordée au circuit tant que ce problème n'est pas résolu de façon satisfaisante. Si le défaut ne peut pas être corrigé dans l'immédiat mais qu'il faut continuer les opérations, une solution adaptée sera utilisée provisoirement. Cela doit être signalé au propriétaire de l'équipement de façon à ce que toutes les parties soient informées.

### **Initialement, il faut vérifier pour des raisons de sécurité :**

- que les condensateurs sont déchargés : cela doit être fait de manière sûre afin d'éviter la possibilité d'étincelles
- qu'aucun composant ou câble électriques sous tension ne sont exposés pendant la charge, la récupération ou la purge du système ;
- qu'il n'y a pas de continuité de la liaison à la terre.

### 2.Réparations sur les composants hermétiques

- 1) Lors des réparations de composants hermétiques, toutes les alimentations électriques doivent être déconnectées de l'équipement sur lequel les techniciens travaillent avant le démontage de couvercles hermétiques, etc. Étant donné qu'il faut absolument avoir une alimentation électrique sur l'équipement durant l'entretien, une forme opérationnelle permanente de détection de fuite doit être située au point le plus critique pour signaler une situation potentiellement dangereuse.
- 2) Soyez particulièrement attentif à ce qui suit pour s'assurer qu'un travail sur des composants électriques n'altérerait pas le boîtier d'une façon qui affecterait le niveau de protection.

Cela doit inclure des dommages aux câbles, un nombre excessif de connexions, des bornes qui ne sont pas faites selon la spécification d'origine, des dommages aux joints, une fixation incorrecte des presse-étoupes, etc.

Vérifiez que cet appareillage est monté fermement.

Vérifiez que les joints ou les matériaux isolants ne se sont pas dégradés à un tel point qu'ils ne servent plus à empêcher la pénétration d'atmosphères inflammables. Les pièces de rechange doivent être conformes aux spécifications du fabricant.

## 1 Consignes de sécurité



**Remarque :** L'utilisation de produit d'étanchéité en silicone peut inhiber l'efficacité de certains types de matériel de détection des fuites. Les composants intrinsèquement sûrs n'ont pas besoin d'être isolés avant que quelqu'un travaille dessus.

### 3. Réparation des composants de sécurité intrinsèque

N'appliquez pas de charges inductives ou capacitives permanentes au circuit sans vous assurer que cela ne dépassera pas la tension permise et l'intensité permise pour l'équipement en utilisation.

Les composants intrinsèquement sûrs sont les seuls types sur lesquels quelqu'un peut travailler quand ils sont sous tension en présence d'une atmosphère inflammable. L'appareillage d'essai doit avoir les bonnes caractéristiques nominales.

Remplacez les composants uniquement par des pièces spécifiées par le fabricant. D'autres pièces peuvent provoquer l'allumage du réfrigérant dans l'atmosphère à partir d'une fuite.

### 4. Câblage

Vérifiez que le câblage ne sera pas sujet à l'usure, la corrosion, une pression excessive, des vibrations, des bords coupants ou d'autres intempéries. La vérification doit également prendre en compte les effets du vieillissement ou des vibrations constantes de sources telles que des compresseurs ou des ventilateurs.

### 5. Détection de réfrigérants inflammables

Sous aucun prétexte, des sources d'allumage potentielles ne doivent être utilisées dans la recherche ou pour la détection de

## 1 Consignes de sécurité

fuites de réfrigérant. N'utilisez pas une lampe haloïde (ou un autre détecteur utilisant une flamme nue).

### 6. Méthodes de détection des fuites

Les méthodes de détection de fuite suivantes sont jugées acceptables pour des systèmes contenant des réfrigérants inflammables.

Des dispositifs électroniques de détection de fuite seront utilisés pour détecter les réfrigérants inflammables, toutefois la sensibilité de l'appareil pourrait ne pas être adaptée, ou il faudrait éventuellement réétalonner l'appareil. (L'équipement de détection sera étalonné dans une zone exempte de réfrigérant.) Assurez-vous que le détecteur n'est pas une source potentielle d'inflammation et qu'il est adapté au type de réfrigérant utilisé. Le matériel de détection de fuite doit être réglé à un pourcentage du LFL du réfrigérant et doit être étalonné selon le réfrigérant employé et le pourcentage approprié de gaz (25 % maximum) est confirmé.

Des liquides de détection de fuite conviennent à une utilisation avec la plupart des réfrigérants, mais il faut éviter d'utiliser de détergents contenant du chlorure, car le chlorure peut réagir avec le réfrigérant et corroder la tuyauterie en cuivre.

En cas de suspicion de fuite, toutes les flammes nues doivent être éliminées/éteintes. Si une fuite de réfrigérant est décelée et nécessite un brasage, tout le réfrigérant doit être récupéré hors du système, ou isolé (par des vannes d'arrêt) dans une partie du système loin de la fuite. De l'azote exempt d'oxygène (OFN) doit ensuite être utilisé pour purger le système avant et pendant le procédé de brasage.

### 7. Enlèvement et évacuation

Lorsque vous ouvrez le circuit de réfrigérant pour effectuer des réparations – ou pour toute autre raison – les procédures conventionnelles doivent être appliquées. Il est néanmoins important de suivre les bonnes pratiques étant donné que l'inflammabilité est à prendre en compte. Observez la procédure suivante :

- enlever le réfrigérant ;
- purger le circuit avec du gaz inerte ;
- évacuer ;
- purger à nouveau avec du gaz inerte ;
- ouvrir le circuit par coupe ou brasage.

La charge de réfrigérant doit être recouverte dans les bonnes bouteilles de récupération. Le système doit être rincé avec de l'azote exempt d'oxygène pour rendre l'unité sûre. Ce procédé devra peut-être être répété plusieurs fois. N'utilisez pas d'oxygène ni d'air comprimé pour cette tâche.

Le rinçage doit être accompli en rompant le vide dans le système avec de l'azote exempt d'oxygène et en continuant de remplir jusqu'à atteindre la pression opérationnelle, puis en éventant à l'atmosphère, et enfin en créant un vide. Ce procédé doit être répété jusqu'à ce qu'il ne reste plus de réfrigérant dans le système. Quand la charge finale d'azote exempt d'oxygène est utilisée, le système doit être aéré à la pression atmosphérique pour permettre la réalisation du travail. Cette opération est absolument vitale s'il faut effectuer des opérations de brasage de la tuyauterie.

## 1 Consignes de sécurité

Vérifiez que la sortie pour la pompe à vide n'est pas fermée pour aucune source d'allumage et vérifiez si une ventilation est disponible.

### 8. Procédure de chargement

En plus des procédures de chargement conventionnelles, les exigences suivantes doivent être suivies :

- Vérifiez que la contamination des différents réfrigérants ne se produit pas lors de l'utilisation d'équipement de chargement. Les tuyaux ou les lignes doivent être aussi courtes que possible afin de réduire au minimum la quantité de réfrigérant qu'elles contiennent.
- Les bouteilles doivent rester debout.
- Vérifiez que le système de réfrigération est mis à la terre avant de charger le système avec du réfrigérant.
- Étiquetez le système lorsque le chargement est terminé (si ce n'est pas déjà fait).
- Soyez extrêmement prudent pour que le système de réfrigération ne déborde pas.

Avant de recharger le système, testez sa pression avec de l'azote exempt d'oxygène. Faites un essai d'étanchéité sur le système à la fin du chargement et avant la mise en service. Un essai d'étanchéité de suivi doit être effectué avant de quitter le site.

### 9. Mise hors service

Avant d'effectuer cette procédure, il est essentiel que le technicien soit complètement familiarisé avec l'équipement et tous ses détails. Il est recommandé et de bonne pratique de récupérer tous les réfrigérants en toute sécurité. Avant de réaliser l'opération, un échantillon d'huile et de réfrigérant sera prélevé lorsqu'une analyse est requise avant de réutiliser le réfrigérant récupéré. Il est essentiel qu'une alimentation électrique soit disponible avant de commencer la tâche.

- 1) Familiarisez-vous avec l'équipement et son fonctionnement.
- 2) Isolez le système électriquement
- 3) Avant d'entreprendre la procédure, vérifiez que :
  - Un matériel de maintenance mécanique est disponible, si nécessaire, pour manipuler les bouteilles de réfrigérant ;
  - Tous les équipements de protection individuelle sont disponibles et utilisés correctement ;
  - Le procédé de récupération est supervisé en permanence par une personne compétente ;
  - Le matériel de récupération et les bouteilles sont conformes aux normes appropriées.
- 4) Videz le réfrigérant du système par pompage, si possible.
- 5) Si une aspiration n'est pas possible, faites un collecteur afin de pouvoir enlever le réfrigérant de diverses pièces du système.



## 1 Consignes de sécurité

- 6) Vérifiez que la bouteille se situe sur la balance avant de commencer la récupération.
- 7) Démarrez la machine de récupération et utilisez-la conformément aux instructions du fabricant.
- 8) Ne remplissez pas excessivement les bouteilles. (Pas plus de 80 % du volume de chargement de liquide).
- 9) Ne dépassez pas la pression opérationnelle maximale de la bouteille, même temporairement.
- 10) Une fois que les bouteilles sont remplies correctement et que le procédé est terminé, vérifiez que les bouteilles et l'équipement sont enlevés du site rapidement et que toutes les vannes d'isolement sur l'équipement sont fermées.
- 11) Le réfrigérant récupéré ne doit pas être chargé dans un autre système de réfrigération, à moins qu'il n'ait été nettoyé et inspecté.

### 10.Étiquetage

L'équipement doit être étiqueté en énonçant qu'il a été mis hors service et vidé de son réfrigérant. L'étiquette doit être datée et signée. Vérifiez qu'il y a des étiquettes sur l'équipement qui énoncent que l'équipement contient un réfrigérant inflammable.

### 11.Récupération

En enlevant le réfrigérant d'un système, soit pour l'entretien soit pour la mise hors service, il est recommandé et de bonne pratique que tous les réfrigérants soient enlevés en toute sécurité.

## 1 Consignes de sécurité

En transférant du réfrigérant dans des bouteilles, vérifiez que seules des bouteilles de récupération de réfrigérant appropriées sont employées. Vérifiez que le bon nombre de bouteilles pour contenir la charge totale du système sont disponibles. Toutes les bouteilles à utiliser sont conçues pour le réfrigérant récupéré et étiquetées pour ce réfrigérant (c'est-à-dire des bouteilles spéciales pour la récupération de réfrigérant). Les bouteilles doivent être complètes avec un clapet de décharge et des vannes d'isolement associées en bon état de marche. Les bouteilles de récupération vides sont évacuées et, si possible, refroidies avant une opération de récupération.

Le matériel de récupération doit être en bon état de marche avec un ensemble d'instructions concernant l'équipement qui est à portée de main et doit convenir à la récupération de réfrigérants inflammables. De plus, un ensemble de balances étalonnées doit être disponible et en bon état de marche. Les tuyaux doivent être complets avec des raccords sans fuite et en bon état. Avant d'utiliser la machine de récupération, vérifiez qu'elle est dans un état de marche satisfaisant, qu'elle a été correctement entretenue et que tous les composants électriques associés sont étanchéifiés afin de prévenir l'allumage en cas de libération du réfrigérant. Consultez le fabricant en cas de doute.

Le réfrigérant récupéré doit être retourné au fournisseur de réfrigérant dans la bonne bouteille de récupération, et le bordereau de transfert des déchets approprié arrangé. Ne mélangez pas des réfrigérants dans des unités de récupération et surtout pas dans des bouteilles.

## **1** Consignes de sécurité

Si des compresseurs ou des huiles de compresseur doivent être enlevés, assurez-vous qu'ils ont été évacués à un niveau acceptable pour être certain qu'un réfrigérant inflammable ne reste pas dans le lubrifiant. Le procédé d'évacuation doit être effectué avant de retourner le compresseur aux fournisseurs. Seul un chauffage électrique pour le compresseur doit être employé pour accélérer le procédé. Quand de l'huile est drainée hors d'un système, cela doit être réalisé en toute sécurité.

### **Paramètres des fusibles de l'appareil**

Type : 5ET ou SMT

Tension : 250 V

Courant : 3,15 A

## 2 Caractéristiques et composants

### 2.1 Caractéristiques

Apparence totalement nouvelle, structure compacte, ligne épurée.

Offre les fonctions de climatisation, ventilation et fonction déshumidificateur.

L'interface extérieure est disposée en hauteur pour faciliter le montage et préserver un flux homogène dans le tuyau de chauffe.

Superbe panneau d'affichage avec voyants lumineux et télécommande facile à utiliser.

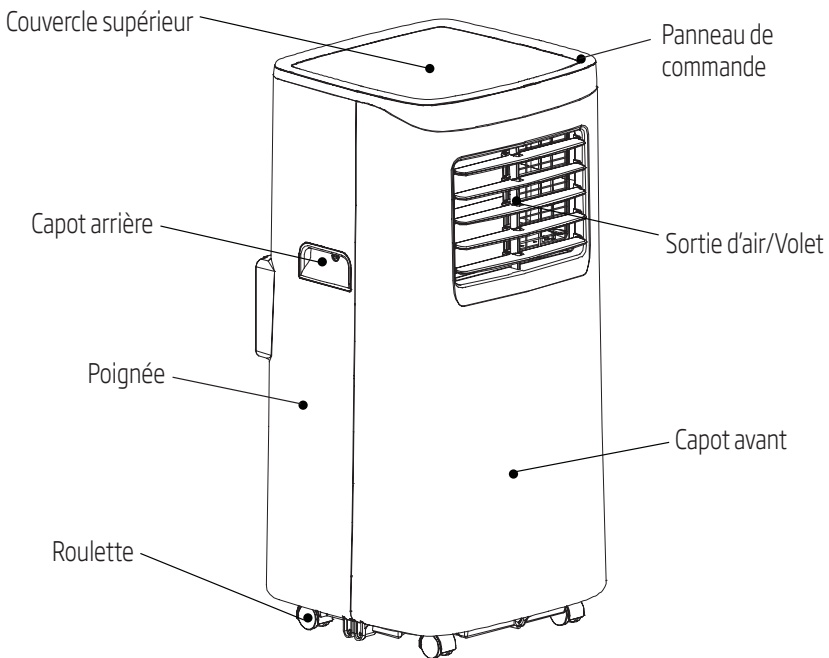
Capacité de filtration de l'air.

Fonction de minuterie.

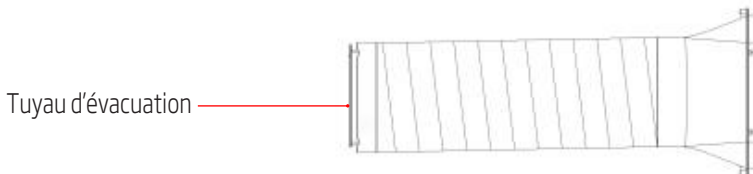
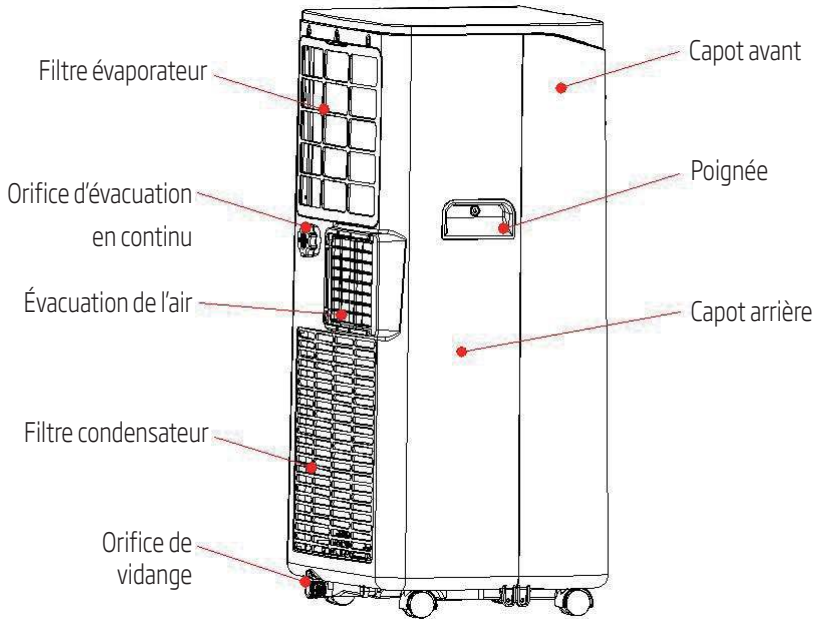
Fonction de protection qui redémarre automatiquement le compresseur après trois minutes, d'autres fonctions de protection sont disponibles.

Température de fonctionnement maximale pour la fonction climatisation : 35/24 °C ; plage de température en fonctionnement : 7-35 °C.

### 2.2 Composants



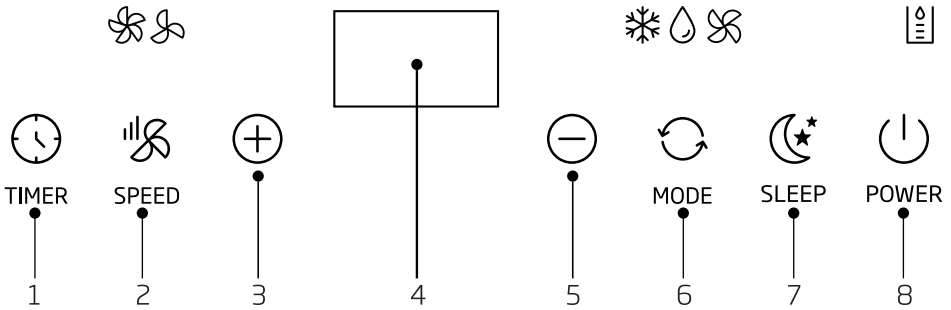
## 2 Caractéristiques et composants



## 3 Réglage des paramètres

### 3.1 Instructions de fonctionnement du panneau de commande

#### Interface de fonctionnement



1. Touche Timer (Minuteur)
  2. Touche de sélection de la vitesse de ventilateur
  3. Touche Up (Haut)
  4. Fenêtre d'affichage
  5. Touche Down (Bas)
  6. Touche de sélection du mode
  7. Touche Sommeil
  8. Touche Power (Marche/Arrêt)
1. Lorsque l'appareil est allumé pour la première fois, vous entendrez la tonalité de démarrage, puis l'appareil se mettra en veille.
  2. **Touche Marche/Arrêt** : appuyez sur cette touche pour allumer et éteindre l'appareil. Lorsque l'appareil est allumé, appuyez sur cette touche pour éteindre l'appareil ; si l'appareil est éteint, appuyez sur cette touche pour allumer l'appareil.
  3. **Touche de Sélection du mode** : Lorsque l'appareil est allumé, appuyez sur cette touche pour commuter entre les modes Cooling (Refroidissement) → Fan (Ventilation) → Dehumidifying (Déshumidification).
  4. **Touche Haut et touche Bas** : appuyez sur ces deux touches pour modifier le réglage de la température ou de la minuterie en procédant comme suit :  
Pour régler la température, appuyez sur la touche Haut ou Bas afin de sélectionner la température souhaitée (cette fonction n'est pas disponible dans les modes ventilation ou déshumidification).  
Pour régler la minuterie, appuyez sur la touche Haut ou Bas afin de sélectionner la durée souhaitée.
  5. **Touche de Sélection de la vitesse de ventilation** :  
En mode refroidissement et ventilation, appuyez sur cette touche pour sélectionner une vitesse de ventilation élevée ou faible. Dans certaines conditions, il est possible que l'appareil ne fonctionne pas de manière conforme à la vitesse de ventilation réglée.  
En mode déshumidification, cette touche est invalide, le ventilateur fonctionnera automatiquement à la vitesse de ventilation faible.

## 3 Réglage des paramètres

### 6. Touche de Minuterie :

Lorsque l'appareil est allumé, appuyez sur cette touche pour désactiver la minuterie ; si l'appareil est éteint, appuyez sur cette touche pour activer la minuterie.

Appuyez sur la touche, puis lorsque le symbole de minuterie clignote, appuyez sur les touches Haut et Bas afin de sélectionner la durée désirée.

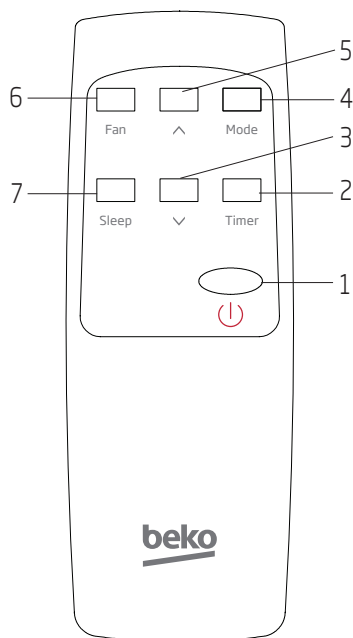
La durée peut être réglée entre 1 et 24 heures, la valeur de la minuterie est ajustée à la hausse ou à la baisse par incréments d'une heure.

### 7. Mode Sleep (sommeil) :

En mode refroidissement, appuyez sur la touche Haut et Ventilation pour activer le mode Sommeil, l'appareil fonctionnera alors de manière silencieuse en mode Économie d'énergie.




## 3.2 Instructions de la télécommande

La télécommande se présente ainsi :



## 3 Réglage des paramètres

Instructions de fonctionnement de la télécommande :

1. Touche Power (Marche/Arrêt) : Appuyez sur la touche  pour allumer ou éteindre l'appareil.
2. Minuterie : appuyez sur la touche pour régler la minuterie.
3. Bas : appuyez sur la touche  pour réduire la température et la durée souhaitée.
4. Mode : appuyez sur la touche pour commuter entre les modes refroidissement, ventilation et déshumidification.
5. Haut : appuyez sur la touche  pour augmenter la température et la durée souhaitée.
6. Ventilation : appuyez sur la touche pour sélectionner la vitesse de ventilation élevée ou faible.
7. Mode Sleep (Sommeil) : Appuyez sur la touche pour activer le mode Sommeil.



## 4 Fonction de protection

### 1. Fonction de protection contre le gel

En mode refroidissement, déshumidification ou économie d'énergie, si la température du tuyau d'évacuation est trop basse, l'appareil sera automatiquement dans un état de protection ; si la température du tuyau d'évacuation augmente jusqu'à une certaine température, l'appareil pourra automatiquement reprendre son fonctionnement normal.

### 2. Fonction de protection anti-débordement

Lorsque le niveau d'eau du réservoir dépasse le seuil d'avertissement, l'appareil émet automatiquement une alarme, et le voyant « Plein » clignote. Dans ce cas, vous devez déplacer le tuyau de vidange reliant l'appareil ou la sortie d'eau à l'égout ou à toute autre évacuation afin de vider l'eau (pour les détails, consultez les *instructions de vidange* à la fin de ce chapitre). Une fois l'eau vidée, l'appareil revient automatiquement à son état d'origine.

### 3. Dégivrage automatique (les modèles avec pompe à chaleur disposent de cette fonction).

L'appareil est doté d'une fonction de dégivrage automatique. Le dégivrage peut être actionné en inversant la vanne à quatre voies.

### 4. Fonction de protection du compresseur

Pour augmenter la durée de vie utile du compresseur, celui-ci est doté d'une fonction de protection au démarrage avec un délai de 3 minutes après l'arrêt du compresseur.

## 5 Installation et mise en place

### 5.1 Installation



**Avertissement :** avant d'utiliser le climatiseur mobile, laissez-le reposer en position verticale pendant au moins deux heures.

Le climatiseur est facile à déplacer dans une pièce. Pendant le déplacement de l'appareil, assurez-vous qu'il reste parfaitement à la verticale, il doit être placé sur une surface plane. Ne pas installer ou utiliser le climatiseur dans une salle de bains ou dans un autre endroit humide.

1. Installez le tuyau d'évacuation (comme illustré dans la Fig. 1)

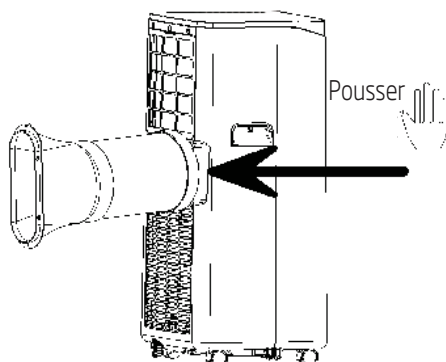


Fig. 1

- 1) Retirez l'ensemble du connecteur extérieur et l'ensemble du tuyau d'évacuation, ainsi que les sachets en plastique ;
- 2) Insérez l'ensemble du tuyau d'évacuation (l'extrémité du joint d'évacuation) dans la fente de l'évent sur la paroi arrière (poussez vers la gauche) et terminez le montage (comme illustré dans la Fig. 1).
2. Installation des différents éléments de l'ensemble de plaque pour fenêtre coulissante
  - 1) Entrouvrez la fenêtre et installez l'ensemble de plaque pour fenêtre sur la fenêtre coulissante (comme illustré dans les Fig. 2 et Fig. 3). Les éléments peuvent être positionnés à l'horizontale ou à la verticale.
  - 2) Déployez les différents éléments de l'ensemble de plaque sur la fenêtre coulissante, ajustez le niveau d'ouverture du dispositif de sorte que les deux extrémités de l'ensemble soient au contact de l'encadrement de la fenêtre, et fixez les différents éléments de l'ensemble.

## 5 Installation et mise en place

### Remarque :



1. L'extrémité plate des raccords du tuyau d'évacuation doit être emboîtée.
2. Le tuyau ne doit pas être tordu ou présenter un rayon de courbure excessif (supérieur à 45°). Veillez à ne jamais obstruer le tuyau d'évacuation.

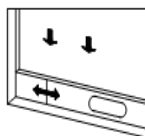


Fig. 2

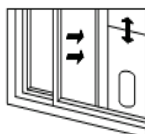


Fig. 3

### 3. Installez l'appareil

- 1) Déplacez l'appareil, muni de son tuyau d'évacuation et des raccords, pour l'installer devant la fenêtre, en respectant une distance d'au moins 50 cm entre l'appareil et les murs ou tout autre objet (comme illustré dans la Fig. 4).

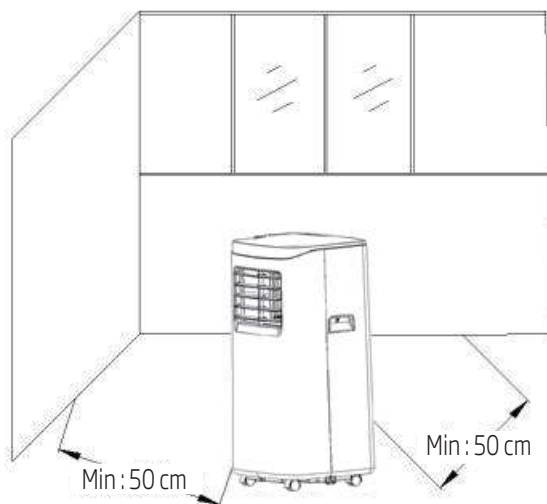


Fig. 4

- 2) Déployez le tuyau d'évacuation et emboîtez l'extrémité plate des raccords du tuyau d'évacuation dans l'orifice de l'ensemble de plaque sur la fenêtre coulissante (comme illustré dans la Fig. 5 et la Fig. 6).

## 5 Installation et mise en place

### Remarque :



1. L'extrémité plate des raccords du tuyau d'évacuation doit être emboîtée.
2. Le tuyau ne doit pas être tordu ou présenter un rayon de courbure excessif (supérieur à 45°). Veillez à ne jamais obstruer le tuyau d'évacuation.

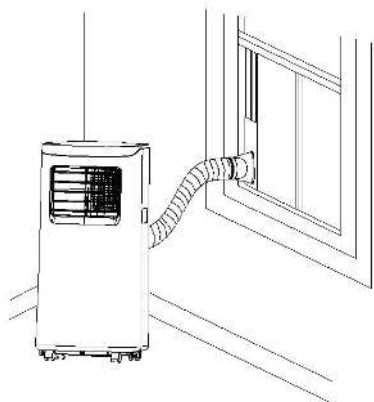


Fig. 5

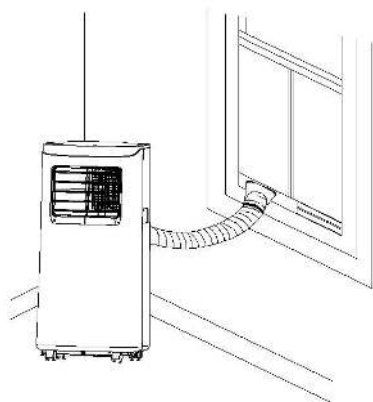


Fig. 6

### Remarques importantes :



La longueur du tuyau d'évacuation doit être comprise entre 28 et 150 cm, en fonction des spécifications du climatiseur. N'utilisez pas de tuyaux de rallonge et ne remplacez pas le tuyau d'origine par d'autres tuyaux, car cela pourrait entraîner un dysfonctionnement de l'appareil. Le tuyau d'évacuation ne doit pas être obstrué, car cela pourrait provoquer une surchauffe.

## 6 Instructions de vidange

Cet appareil offre deux méthodes d'évacuation : évacuation manuelle et évacuation continue.

1. Vidange manuelle :

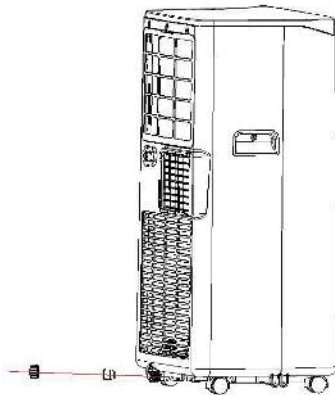
1) Lorsque l'appareil s'arrête car le réservoir contient trop d'eau, éteignez l'appareil et débranchez la prise d'alimentation.



**Remarque :** Déplacez l'appareil avec précaution, de manière à ne pas renverser l'eau contenue dans le réservoir au fond de l'appareil.

2) Placez un récipient d'eau sous la sortie d'eau latérale, derrière l'appareil.

3) Dévissez le cache de vidange et retirez le bouchon d'eau, l'eau s'écoule automatiquement dans le récipient d'eau.



### Remarque :

1. Conservez en lieu sûr le cache de l'orifice de vidange et le bouchon d'eau.
2. Pour faciliter la vidange, il est possible de légèrement incliner l'appareil en arrière.
3. Si le récipient d'eau ne suffit pas à recueillir toute l'eau, bouchez la sortie d'eau à l'aide du bouchon d'eau dès que possible avant que l'eau déborde du récipient et se déverse sur le sol ou sur la moquette.
4. Lorsque l'eau a été évacuée, réinstallez le bouchon d'eau et serrez le cache sur l'orifice de vidange.



## 6 Instructions de vidange

2. Vidange continue, comme illustré dans la figure :

- 1) Dévissez le cache de vidange et retirez le bouchon d'eau.
- 2) Installez le tuyau de vidange dans la sortie d'eau.
- 3) Installez l'autre extrémité du tuyau de vidange au-dessus du seau.

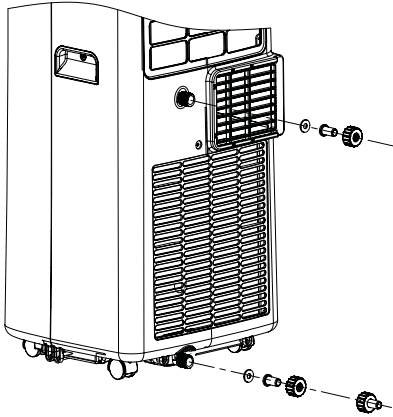


Fig.1

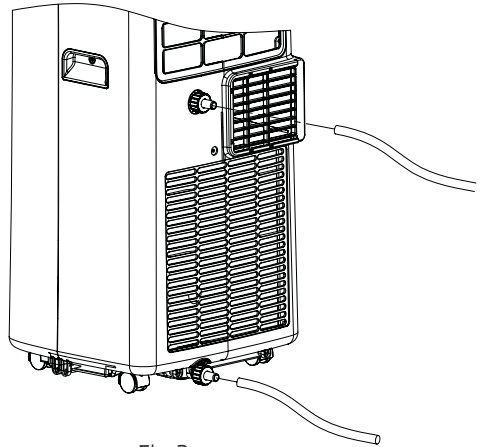


Fig.2

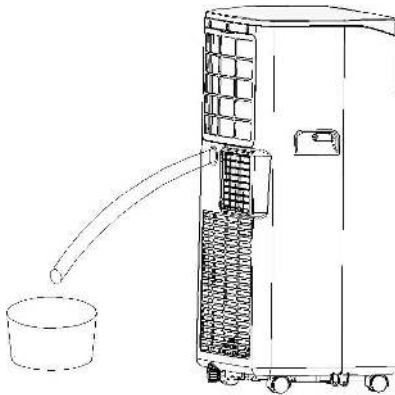


Fig.3

## 7 Entretien

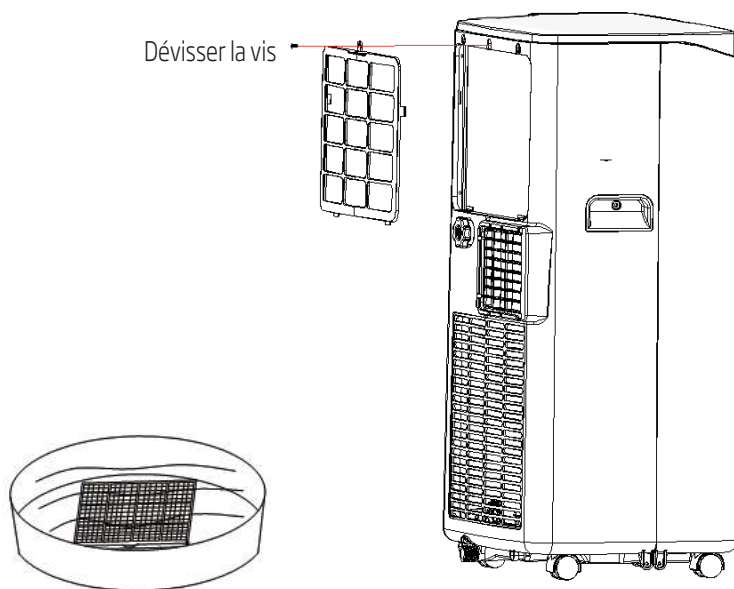
**Nettoyage :** avant toute opération de nettoyage et d'entretien, éteignez l'appareil et débranchez la prise.

### 7.1 Nettoyage de la surface

Nettoyez la surface de l'appareil à l'aide d'un chiffon doux et humide. N'utilisez pas de produits chimiques, comme du benzène, de l'alcool, de l'essence, etc. ; cela risquerait d'endommager la surface extérieure de l'appareil, voire l'ensemble du climatiseur.

### 7.2 Nettoyage du filtre

Si le filtre est obstrué par de la poussière, et que l'efficacité du climatiseur s'en trouve réduite, pensez à nettoyer le filtre toutes les deux semaines.



### 7.3 Nettoyage du châssis du filtre supérieur

1. Dévissez une vis fixant le filtre évaporateur sur la paroi arrière à l'aide d'un tournevis, et retirez le filtre évaporateur.
2. Immergez le filtre évaporateur dans de l'eau chaude avec un détergent neutre (environ 40 °C / 104 °F) puis rincez-le et laissez-le sécher à l'ombre.

## 8 Rangement de l'appareil

1. Dévissez le cache de vidange, retirez le bouchon d'eau et vidangez l'eau du réservoir dans un récipient ou inclinez directement l'appareil pour évacuer l'eau dans une autre évacuation.
2. Allumez l'appareil, réglez-le sur le mode ventilation à vitesse faible, et laissez l'appareil fonctionner dans cet état jusqu'à ce que le tuyau de vidange soit sec, de manière à garder sec l'intérieur de l'appareil, évitant ainsi la formation de moisissures.
3. Éteignez l'appareil, retirez le bouchon d'eau et enroulez le cordon d'alimentation autour de la patte prévue à cet effet ; mettez en place le bouchon d'eau et le cache de vidange.
4. Retirez le tuyau d'évacuation et rangez-le dans un endroit adapté.
5. Recouvrez le climatiseur d'un sac en plastique. Placez le climatiseur dans un endroit sec, hors de portée des enfants et prenez des mesures pour le protéger contre la poussière.
6. Retirez les piles de la télécommande et gardez-les en lieu sûr.




**Remarque :** Assurez-vous que l'appareil est placé dans un endroit sec et rangez tous ses composants en lieu sûr.



## 9 Dépannage

Ne tentez pas de réparer ou de démonter le climatiseur vous-même. Une réparation effectuée par une personne non qualifiée rendra caduque la garantie, et pourrait occasionner des blessures aux utilisateurs ou endommager des biens matériels.

Problèmes	Explications	Solutions
Le climatiseur ne fonctionne pas.	Il n'y a pas d'électricité.	Branchez l'appareil sur une prise électrique et allumez-le.
	L'indicateur de débordement affiche «  ».	Évacuez l'eau qui se trouve à l'intérieur.
	La température ambiante est trop basse ou trop élevée	Il est conseillé d'utiliser l'appareil à une température comprise entre 7 et 35 °C (44-95 °F).
	En mode refroidissement, la température ambiante est inférieure à la température de consigne ;	Modifiez la température de consigne.
	En mode déshumidification, la température ambiante est faible.	L'appareil se trouve dans une pièce dont la température ambiante est supérieure à 17 °C (62 °F).
L'effet de refroidissement est insuffisant	L'appareil est exposé à la lumière directe du soleil.	Fermez les rideaux.
	Des portes ou des fenêtres sont ouvertes, il y a de nombreuses personnes dans la pièce ; ou en mode refroidissement, d'autres sources de chaleur sont présentes.	Fermez les portes et les fenêtres, et ajoutez un nouveau climatiseur.
	Le filtre est sale.	Nettoyez ou remplacez le filtre.
	L'entrée ou la sortie d'air est obstruée.	Retirez les obstructions.
L'appareil est très bruyant	Le climatiseur ne se trouve pas sur une surface plate.	Placez le climatiseur sur une surface plate et rigide (pour réduire le bruit).
Le compresseur ne fonctionne pas	Activation du dispositif de protection anti-surchauffe.	Patientez 3 minutes jusqu'à ce que la température ait diminué, puis redémarrez l'appareil.

## 9 Dépannage

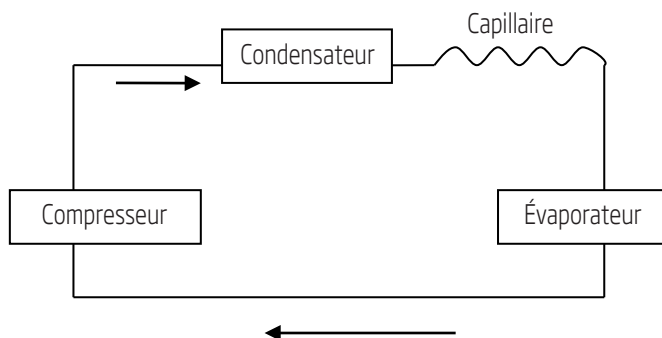
Problèmes	Explications	Solutions
La télécommande ne fonctionne pas.	La télécommande est trop éloignée de l'appareil.	Approchez la télécommande du climatiseur, et assurez-vous que la télécommande fait directement face au récepteur.
	La télécommande n'est pas orientée vers le récepteur.	
	Les piles sont déchargées.	Remplacez les piles.
Affiche « E1 ».	Le capteur de température ambiante présente un dysfonctionnement.	Vérifiez le capteur de température ambiante et le circuit connexe.
Affiche « E2 ».	Le capteur de température du tuyau présente un dysfonctionnement.	Vérifiez le capteur de température du tuyau et le circuit connexe.



**Remarque :** Si vous rencontrez un problème qui ne figure pas dans le tableau, ou si les solutions conseillées ne fonctionnent pas, veuillez contacter un réparateur professionnel.

### Diagramme schématique du climatiseur

(Les caractéristiques techniques spécifiques de l'appareil sont indiquées sur la plaque signalétique apposée sur le produit)



Traitement : Ne jetez pas l'appareil dans les ordures ménagères non triées. Ce type de déchet doit être séparé pour un autre usage particulier.



Ce produit est conforme à la directive DEEE (2012/19/UE) de l'Union européenne). Ce produit porte un symbole de classification pour la mise au rebut des équipements électriques et électroniques (DEEE). Ce symbole indique que ce produit ne doit pas être jeté avec les déchets ménagers à la fin de sa vie utile. Les appareils usagés doivent être retournés au point de collecte officiel destiné au recyclage des appareils électriques et électroniques. Pour trouver ces systèmes de collecte, veuillez contacter les autorités locales ou le détaillant auprès duquel vous avez acheté le produit. Chaque ménage joue un rôle important dans la récupération et le recyclage des appareils ménagers usagés. L'élimination appropriée des appareils usagés aide à prévenir les conséquences négatives potentielles pour l'environnement et la santé humaine.

# 11 Instructions d'installation

## 11.1 Consignes de la F-Gaz

Ce produit contient des gaz à effet de serre fluorés.

Les gaz à effet de serre fluorés sont contenus dans un dispositif hermétiquement scellé.

Les opérations d'installation, d'entretien, de maintenance, de réparation, de vérifications de fuites éventuelles, de mise hors service des équipements obsolètes ainsi que de recyclage des produits doivent être effectuées par une personne physique certifiée.

Si le système est doté d'un dispositif de détection des fuites, des vérifications de fuites éventuelles doivent être effectuées au moins une fois par an, afin de s'assurer que le système fonctionne correctement.

Si le produit doit faire l'objet de vérifications de fuites éventuelles, il est recommandé de mentionner le cycle d'inspection, et d'établir et sauvegarder les comptes rendus des vérifications effectuées.



**Remarque :** Si l'équivalent en CO<sub>2</sub> des gaz à effet de serre fluorés contenus dans les équipements hermétiquement scellés, les climatiseurs mobiles, les climatiseurs fixes ainsi que les déshumidificateurs, est inférieur à 10 tonnes, nul besoin d'effectuer des vérifications de fuites éventuelles.

## 12 Spécifications

Nom de modèle Beko	BS207C
Marque	Beko
Gaz réfrigérant	R290
Quantité totale de gaz réfrigérant (g)	130
Classe climatique	T1
Type de chauffage	-
Type de commande	Télécommande
Capacité de refroidissement (Btu/h)	6500
Capacité de refroidissement (W)	1905
Efficacité énergétique de refroidissement (W/W)	2,6
Consommation d'énergie-refroidissement	A
Alimentation en mode refroidissement (W)	732
Tension/Fréquence (V/Hz)	220-240V~50Hz
Courant de fonctionnement en mode refroidissement (A)	3,2
Niveau sonore (dBA) (Puissance sonore)	65/-/-
Volume de débit d'air (m <sup>3</sup> /h)	300
Élimination d'humidité (lt/h)	0,8
Plage de températures de fonctionnement en refroidissement (°C)	16-35
Taille de l'unité (LxHxP) mm	305×678×328
Poids net (kg)	19

1. Les spécifications sont des valeurs standard calculées sur la base des conditions de fonctionnement nominales. Elles varient selon les différentes conditions de fonctionnement.
2. Notre entreprise développe rapidement de nouvelles améliorations techniques. Les modifications des données techniques ne feront pas l'objet d'un préavis. Veuillez vous reporter à la plaque signalétique apposée sur le climatiseur.
3. La valeur nominale est testée sous 35/24 (entrée) et 35/24 (sortie).



# Lees deze gebruikershandleiding voorafgaand aan het gebruik!

Geachte klant,

Hartelijk bedankt voor het aanschaffen van een Beko-product. Dit kwaliteitsproduct is gefabriceerd volgens de nieuwste technologische standaarden en wij hopen dat u er optimaal van zult genieten. Lees daarom deze gebruikershandleiding en alle andere bijgesloten documentatie volledig door voordat u het product in gebruik neemt en bewaar de instructies als eventueel naslagwerk. Mocht u het product aan een ander geven, overhandig dan ook de gebruikershandleiding. Volg alle waarschuwingen en informatie in de gebruikershandleiding.

## Betekenis van de symbolen

De volgende symbolen worden in de verschillende secties van deze gebruikershandleiding gebruikt:



Belangrijke informatie of nuttige tips m.b.t. het gebruik.



Dit symbool geeft aan dat de gebruikershandleiding zorgvuldig moet worden gelezen.



Waarschuwing op gevaarlijke situaties m.b.t. fataal letsel en eigendommen.



Dit symbool geeft aan dat onderhoudspersoneel deze apparatuur met raadpleging van de installatiehandleiding moet behandelen.



Waarschuwingen op acties die nooit mogen worden uitgevoerd.



Waarschuwing voor elektrische schokken.



Waarschuwing voor hete oppervlaktes.



Dek het apparaat niet af.



Dit symbool geeft aan dat dit apparaat een brandbaar koelmiddel gebruikt. Als het koelmiddel weglekt en aan een externe ontstekingsbron wordt blootgesteld, dan bestaat er een risico op brand.



Dit product is gefabriceerd in milieuvriendelijke, moderne faciliteiten

# INHOUD

<b>1 Veiligheidsinstructies</b>	<b>81</b>
<b>2 Eigenschappen en componenten</b>	<b>100</b>
2.1 Eigenschappen.....	100
2.2 Onderdelen .....	100
<b>3 Instelling bediening</b>	<b>102</b>
3.1 Gebruiksaanwijzing voor het bedieningspaneel .....	102
3.2 Gebruiksaanwijzing voor de afstandsbediening .....	104
<b>4 Beveiligingsfunctie</b>	<b>105</b>
<b>5 Installatie en afstelling</b>	<b>106</b>
5.1 Installatie .....	106
<b>6 Instructies voor afvoer</b>	<b>109</b>
<b>7 Onderhoud</b>	<b>111</b>
7.1 Reinig het oppervlak .....	111
7.2 Reinig het filterscherm.....	111
7.3 Reinig het bovenste frame van het filterscherm .....	111
<b>8 Opslag van het apparaat</b>	<b>112</b>
<b>9 Problemen oplossen</b>	<b>113</b>
<b>10 Bijvoegsel</b>	<b>115</b>
<b>11 Installatie-instructies</b>	<b>116</b>
11.1 F-Gas instructie .....	116
<b>12 Specificaties</b>	<b>117</b>

Het koelmiddel dat wordt gebruikt in mobiele airconditioners is het milieuvriendelijke koolwaterstof R290. Dit koelmiddel is reukloos en R290 is in vergelijking met alternatieve koelmiddelen een ozonvrij koelmiddel en het effect is zeer laag.

Lees de instructies vóór gebruik en reparaties.

De in deze gebruiksaanwijzing opgenomen tekeningen zijn mogelijk niet hetzelfde als de daadwerkelijke voorwerpen. Bekijk de daadwerkelijke voorwerpen.



# 1 Veiligheidsinstructies

## Waarschuwingen:

- Gebruik het apparaat niet om producten sneller te ontdooien of schoon te maken, gebruik het alleen voor de door de fabrikant aanbevolen doeleinden.
- Het apparaat moet worden opgeslagen in een ruimte zonder voortdurend werkende ontstekingsbronnen (bijvoorbeeld: open vuur, een werkend gasapparaat of een werkende elektrische verwarmingsapparaat).
- Niet doorboren of verbranden.
- Wees u ervan bewust dat koelmiddelen mogelijk geen geur hebben.
- Het apparaat moet worden geïnstalleerd, gebruikt en opgeslagen in een ruimte met een vloeroppervlak van meer dan 7 m<sup>2</sup>
- Het apparaat moet vrij van belemmeringen worden gehouden om de juiste werking te verzekeren en veiligheidsrisico's te verminderen.
- Onderhoud mag uitsluitend worden uitgevoerd zoals door de fabrikant is aanbevolen.
- Het apparaat moeten worden opgeslagen in een goed geventileerde ruimte, waarbij de maat van de ruimte overeenkomst met de omvang van de ruimte die voor werking is gespecificeerd.

## 1 Veiligheidsinstructies

- Enige persoon die is betrokken bij het werken met of het inbreken in een koelcircuit, moet in het bezit zijn van een actueel geldig certificaat van een door de bedrijfstak erkende beoordelingsautoriteit, die hun vakbekwaamheid autoriseert voor het veilig omgaan met koelmiddelen in overeenstemming met een door de bedrijfstak erkende beoordelingsspecificatie.
- Onderhoud mag alleen worden uitgevoerd zoals door de fabrikant van de apparatuur wordt aanbevolen. Onderhoud en reparaties die assistentie van andere vakbekwaam personeel vereisen, moeten worden uitgevoerd onder toezicht van een persoon die deskundig is in het gebruik van brandbare koelmiddelen.
- Alle procedures die de veiligheidsvoorzieningen aantasten, mogen alleen door bevoegde personen worden uitgevoerd.

## Opmerking:

- De airconditioner is alleen geschikt voor gebruik binnenshuis en is niet geschikt voor andere toepassingen.
- Volg lokale regels voor aansluitingen op het lichtnet bij het installeren van de airconditioner en verzeker dat deze goed is geaard. Als u vragen hebt over de elektrische installatie, volg dan de instructies van de fabrikant en vraag indien nodig een professionele elektricien om deze te installeren.
- Plaats het apparaat op een vlakke en droge plaats en houd een afstand aan van meer dan 50 cm tussen het apparaat en de objecten of wanden eromheen.
- Verzeker na de installatie van de airconditioner dat de netstekker intact is en stevig in het stopcontact is gestoken en leg het netsnoer zodanig neer dat er niemand over kan struikelen of de stekker eruit kan trekken.
- Zet geen voorwerpen in de luchtinlaat en -afvoer van de airconditioner. Houd de luchtinlaat en -afvoer vrij van belemmeringen.
- Als er afvoerbuizen worden geïnstalleerd, verzeker dan dat de afvoerbuizen goed zijn aangesloten en niet zijn vervormd of gebogen.
- Pas de bovenste en onderste luchtgeleidingsstrips van de luchtuitlaat voorzichtig aan met de hand om te voorkomen dat de luchtgeleidingsstrips worden beschadigd.



## Opmerking:

- Zorg er bij het verplaatsen van het apparaat voor dat het rechtop staat.
- Het apparaat moet uit de buurt worden gehouden van benzine, brandbare gassen, fornuizen en andere warmtebronnen.
- Het apparaat mag niet willekeurig worden gedemonteerd, gereviseerd of gemodificeerd, omdat het anders een storing van het apparaat kan veroorzaken of zelfs letsel kan toebrengen aan personen of schade aan eigendommen. Als er zich een storing van het apparaat voordoet, vraag dan de fabrikant of een vakman om het te repareren, om gevaar te vermijden.
- De airconditioner mag niet worden geïnstalleerde en gebruikt in badkamers of andere vochtige omgevingen.
- Trek de stekker niet uit het stopcontact om het apparaat uit te schakelen.
- Plaats geen bekers of andere voorwerpen op de behuizing, om te voorkomen dat er water of andere vloeistoffen in de airconditioner terechtkomen.
- Gebruik geen spuitbussen met insecticiden of andere brandbare stoffen in de buurt van de airconditioner.
- Veeg of was de airconditioner niet af met chemische oplosmiddelen, zoals benzine en alcohol. Als u de airconditioner wilt reinigen, haal dan de stekker uit het stopcontact en reinig het apparaat met een zachte, vochtige doek. Als het apparaat echt vuil is, boen het dan met een zacht reinigingsmiddel.



## Opmerking:

- Dit apparaat kan worden gebruikt door kinderen met een leeftijd vanaf 8 jaar, als zij onder toezicht staan of aanwijzingen hebben gekregen met betrekking tot het veilige gebruik van het apparaat en de bijbehorende gevaren begrijpen. Reiniging en gebruikersonderhoud mogen niet door kinderen worden uitgevoerd, tenzij zij 8 jaar of ouder zijn en onder toezicht staan. Houd het apparaat en het netsnoer buiten het bereik van kinderen van minder dan 8 jaar.
- Als de voedingskabel is beschadigd, moet deze door de fabrikant, een onderhoudsvertegenwoordiger of een vergelijkbaar gekwalificeerd persoon worden vervangen om gevaar te voorkomen.
- Het product moet worden geïnstalleerd in naleving van de nationale regelgeving die geldt voor bekabeling.
- Gebruik de airconditioner niet in een vochtige ruimte, zoals een badkamer of wasruimte.
- Dit apparaat mag niet worden gebruikt door personen (met inbegrip van kinderen) met beperkte fysieke, zintuiglijke of mentale mogelijkheden, of door personen met gebrek aan ervaring en kennis, tenzij deze onder toezicht staan of instructies hebben gekregen van een voor hun veiligheid verantwoordelijke persoon.
- Kinderen moeten onder toezicht staan om er zeker van te zijn dat ze niet spelen met het apparaat.



# 1 Veiligheidsinstructies



- Waarschuwing: gebruik geen hulpmiddelen om het ontdooiproces te versnellen of het apparaat te reinigen, anders dan die door de fabrikant worden aanbevolen. Het apparaat moeten worden opgeslagen in een ruimte zonder voortdurend werkende ontstekingsbronnen (bijvoorbeeld: open vuur, een werkend gasapparaat of een werkende elektrische verwarming.) Niet doorboren of verbranden. Wees u ervan bewust dat koelmiddelen mogelijk geen geur hebben.
- Het apparaat moet de isolatie van een aardlekschakelaar (RCD) vermelden, waarbij de opgegeven lekstroom niet groter is dan 30 mA.
- Dit apparaat is bestemd om te worden gebruikt in huishoudens en vergelijkbare toepassingen, zoals
  - Ruimtes voor personeelskeukens in winkels, kantoren en andere werkomgevingen;
  - boerderijen;
  - door gasten in hotels, motels en andere woonomgevingen;
  - omgevingen zoals logies en ontbijt;

## Transport, markering en opslag van het apparaat

- Transport van apparatuur met brandbare koelmiddelen  
Naleving van transportvoorschriften
- Markering van de apparatuur met symbolen  
Naleving van lokale voorschriften

# 1 Veiligheidsinstructies

- Weggooien van apparatuur met brandbare koelmiddelen  
Naleving van landelijke voorschriften
- Opslag van apparatuur/apparaten  
De opslag van apparatuur moet in overeenstemming zijn met de instructies van de fabrikant.
- Opslag van verpakte (nog niet verkochte) apparatuur  
Er moet worden voldaan aan de verpakingsbescherming voor opslag, zodat mechanische schade aan het apparaat in de verpakking geen lekkage van het koelmiddel kan veroorzaken. Het maximale aantal apparaten dat is toegestaan om samen te kunnen worden opgeslagen wordt bepaald door de lokale regelgeving.

## 1. Informatie over het onderhoud

### 1) Controles voor de ruimte

Voordat u met systemen met brandbare koelmiddelen aan de slag gaat, moeten er een aantal veiligheidscontroles worden uitgevoerd om ervoor te zorgen dat het risico op ontsteking geminimaliseerd wordt. Voor reparaties aan het koelsysteem moeten de volgende voorzorgsmaatregelen in acht worden genomen voordat er aan het systeem wordt gewerkt.

### 2) Werkprocedure

De werkzaamheden moeten worden uitgevoerd volgens een gecontroleerde procedure om het risico op ontsteking van ontvlambaar gas of ontvlambare damp te minimaliseren.

## 1 Veiligheidsinstructies

### 3) Algemeen werkgebied

Al het onderhoudspersoneel en anderen die in de directe omgeving werkzaam zijn, moeten worden geïnstrueerd over de aard van de uitgevoerde werkzaamheden. Werk in besloten ruimtes moet worden vermeden. Het gebied rondom de werkplek moet worden afgezet. Zorg ervoor dat de omstandigheden binnen het gebied veilig zijn gesteld door controle op brandbare materialen.

### 4) Controle op aanwezigheid van koelmiddel

Het gebied moet worden gecontroleerd met een geschikte koelmiddeldetector vóór en tijdens de werkzaamheden om te garanderen dat de technicus zich bewust is van een mogelijk brandbare atmosfeer. Verzeker dat de gebruikte apparatuur voor het detecteren van lekkages geschikt is voor gebruik met brandbare koelmiddelen, d.w.z. vonkvrij, voldoende afgedicht en intrinsiek veilig.

### 5) Aanwezigheid van brandblussers

Als er enige hete werkzaamheden op de koelapparatuur of enige bijbehorende onderdelen moeten worden uitgevoerd, moet er geschikte brandblusapparatuur binnen handbereik beschikbaar zijn. Houd een poeder- of CO<sub>2</sub>-brandblusser in de buurt van het vulgebied.

### 6) Geen ontstekingsbronnen

Niemand die werk uitvoert aan het koelsysteem dat betrekking heeft tot het leidingsysteem dat brandbaar koelmiddel bevat of heeft bevat mag ontstekingsbronnen gebruiken omdat hierdoor kans op brand of explosie ontstaat. Alle mogelijke



## 1 Veiligheidsinstructies

ontstekingsbronnen, waaronder sigaretten roken, moeten op gepaste afstand van de installatie-, reparatie-, verwijderings- en afvoerlocatie worden gehouden op momenten dat ontvlambaar koelmiddel mogelijk kan vrijkomen in de omgeving. Het gebied rondom de apparatuur moet voorafgaand aan het uitvoeren van de werkzaamheden worden geïnspecteerd om te verzekeren dat er zich geen brandgevaar of risico op ontsteking voordoet. Er moeten borden met "Niet roken" worden weergegeven.

### 7) Geventileerd gebied

Zorg ervoor dat het gebied open is of dat deze voldoende is geventileerd voordat u inbreekt in het systeem of enige hete werkzaamheden uitvoert. Er moet een bepaalde mate van ventilatie in stand blijven, tijdens de periode dat de werkzaamheden worden uitgevoerd. De ventilatie moet enige vrijkomend koelmiddel op veilige wijze verspreiden en het bij voorkeur extern in de atmosfeer uitstoten.

### 8) Controles van de koelapparatuur

Wanneer elektrische onderdelen worden vervangen, moeten deze geschikt zijn voor het doel en aan de juiste specificaties voldoen. De richtlijnen voor onderhoud en reparaties van de fabrikant moeten te allen tijde worden opgevolgd. Raadpleeg bij twijfel de technische afdeling van de fabrikant voor assistentie.

De volgende controles moeten worden uitgevoerd bij installaties die gebruikmaken van brandbare koelmiddelen:

## 1 Veiligheidsinstructies

- De koelmiddelvulling is in overeenstemming met afmetingen van de ruimte waarin de onderdelen die koelmiddel bevatten worden geïnstalleerd.
- De machinerie en uitlaten van de ventilatie werken voldoende en worden niet belemmerd.
- Als er een indirect koelcircuit wordt gebruikt, moet het secundaire circuit worden gecontroleerd op de aanwezigheid van koelmiddel.
- Markeringen op de apparatuur blijven zichtbaar en leesbaar. Markeringen en tekens die onleesbaar zijn moeten worden hersteld;
- Koelbuizen of componenten worden geïnstalleerd in een positie waar het onwaarschijnlijk is dat deze worden blootgesteld aan enige stoffen die componenten die koelmiddel bevatten kunnen corroderen, tenzij de componenten zijn vervaardigd van materialen die inherent bestand zijn tegen corrosie of die goed tegen corrosie zijn beschermd.

### 9) Controles van elektrische apparaten

Reparaties en onderhoud aan elektrische componenten moeten procedures voor initiële veiligheidscontroles en controles van onderdelen inhouden. Als er zich een storing voordoet die de veiligheid in gevaar kan brengen, mag er geen elektrische stroomvoorziening op het circuit worden aangesloten totdat de storing bevredigend is opgelost. Als de storing niet onmiddellijk kan worden opgelost, maar het noodzakelijk is om het gebruik voort te zetten, moet er een geschikte tijdelijke oplossing worden

# 1 Veiligheidsinstructies

toegepast. Dit moet aan de eigenaar van de apparatuur worden gerapporteerd, zodat alle partijen worden geïnformeerd.

## **Initiële veiligheidscontroles moeten omvatten:**

- Dat condensators worden ontladen: dit moet op een veilige manier worden gedaan om de mogelijkheid op vonken te vermijden.
- Zorg dat er geen spanningvoerende elektrische componenten en bedrading worden blootgesteld tijdens het vullen, aftappen of doorspoelen van het systeem;
- Zorg de het apparaat constant goed is geaard.

## **2.Reparaties van verzegelde onderdelen**

- 1) Tijdens reparaties van verzegelde onderdelen moeten alle elektrische onderdelen losgekoppeld zijn van het apparaat waaraan gewerkt wordt voordat de verzegelde afdekkingen, etc. verwijderd worden. Als het absoluut nodig is om elektriciteit te hebben tijdens het onderhoud, moet er een permanent werkende vorm van lekdetectie worden geplaatst op het meest kritieke punt voor het geval van een mogelijk gevaarlijke situatie.
- 2) Er moet met name aandacht worden besteed aan het volgende om te zorgen dat de behuizing tijdens de werkzaamheden aan de elektrische onderdelen niet zodanig wordt aangepast dat het beschermingsniveau wordt beïnvloed.

Dit omvat schade aan kabels, teveel aansluitingen, aansluitklemmen die afwijken van de originele specificaties, schade aan pakkingen, onjuiste montage van doorvoeren enz.

Verzekert dat het apparaat goed is gemonteerd.

## 1 Veiligheidsinstructies

Zorg dat de verzegelingen of het afdichtingsmateriaal niet zodanig aangetast is dat het niet meer in staat is om bescherming te bieden tegen de binnendringing van brandbare atmosferen. Vervangende onderdelen moeten voldoen aan de specificaties van de fabrikant.



**Opmerking:** Het gebruik van een silicone afdichting kan de effectiviteit van sommige soorten lekdetectieapparatuur belemmeren. Intrinsiek veilige onderdelen hoeven niet geïsoleerd te worden voordat u ermee aan de slag gaat.

### 3.Reparaties van de intrinsiek veilige onderdelen.

Pas geen permanente inductieve of capacitieve ladingen toe op het circuit zonder te controleren of deze de toegestane voltage en stroomsterkte voor het apparaat niet overschrijden.

Intrinsiek veilige onderdelen zijn de enige types waaraan gewerkt kan worden in een brandbare atmosfeer. Het testapparaat moet de correcte rating hebben.

Vervang onderdelen alleen door onderdelen die zijn gespecificeerd door de fabrikant. Andere onderdelen kunnen leiden tot ontsteking van het koelmiddel in de atmosfeer door een lek.

### 4.Bekabeling

Controleer of de bekabeling niet onderhevig is aan slijtage, aantasting, overmatige druk, vibraties, scherpe randen en andere nadelige omgevingseffecten. Tijdens de controle moet u ook kijken of de bekabeling niet versleten is en dat er geen ononderbroken

## 1 Veiligheidsinstructies

vibraties afkomstig van bronnen zoals compressors of ventilatoren aanwezig zijn.

### 5. Detectie van brandbare koelmiddelen

Er mogen onder geen enkele omstandigheden mogelijke ontstekingsbronnen worden gebruikt tijdens het zoeken naar of de detectie van koelmiddellekken. Een halogeen zaklamp (of een andere detector met open vuur) mag niet worden gebruikt.

### 6. Lekdetectiemethodes

De volgende lekdetectiemethodes zijn acceptabel voor systemen met brandbare koelmiddelen.

Elektronische lekdetectoren kunnen worden gebruikt om brandbare koelmiddelen te detecteren, maar de gevoeligheid is mogelijk niet nauwkeurig of vereist kalibratie. (Detectieapparatuur moet worden gekalibreerd in een koelmiddelvrije ruimte.) Zorg dat de detector geen mogelijke ontstekingsbron is en geschikt is voor het koelmiddel dat wordt gebruikt. Lekdetectieapparatuur moet worden ingesteld op een percentage van de LFL van het koelmiddel en moet worden gekalibreerd voor het koelmiddel dat wordt gebruikt en wanneer het correcte gaspercentage (25% maximaal) is bevestigd.

Lekdetectievloeistoffen zijn geschikt voor gebruik met de meeste koelmiddelen, maar het gebruik van chloorhoudende reinigingsmiddelen moet worden vermeden omdat chloor kan reageren op het koelmiddel en de koperen leidingen kan aantasten.

Als u denkt dat er een lek is, moeten alle vlammen worden verwijderd/gedoofd. Als er een koelmiddellek wordt gevonden dat gesoldeerd moet worden, moet al het koelmiddel uit het systeem

## 1 Veiligheidsinstructies

worden gehaald of worden geïsoleerd (door de kleppen te sluiten) in een deel van het systeem, uit de buurt van het lek. Het systeem moet worden gereinigd met zuurstofvrije stikstof (OFN), zowel vóór als tijdens het soldeerproces.

### 7. Verwijdering en lediging

Bij het openen van het koelmiddelcircuit voor het uitvoeren van reparatie - of voor enig ander doel - moeten de toepasselijke procedures worden gevolgd. Het is echter belangrijk dat de beste praktijk wordt gevolgd, omdat brandbaarheid in overweging moet worden genomen. De volgende procedure moet worden aangehouden:

- Verwijder het koelmiddel;
- Spoel het circuit met inert gas;
- Leegmaken;
- Spoel nogmaals met inert gas;
- Open het circuit door knippen of lossolderen.

De koelmiddelvulling moet worden afgetapt in geschikte opvangcilinders. Het systeem moet worden 'gespoeld' met OFN zodat het apparaat weer als veilig kan worden beschouwd. Deze procedure moet mogelijk verschillende keren worden herhaald. Er mogen voor deze taak geen perslucht of zuurstof worden gebruikt.

Het spoelen doet u door het vacuüm in het systeem met OFN te breken en het te blijven vullen tot de werkdruk is bereikt, waarna het wordt vrijgelaten in de atmosfeer en het systeem gevacumeerd

## 1 Veiligheidsinstructies

wordt. Dit proces moet worden herhaald tot er geen koelmiddel meer in het systeem zit. Als de uiteindelijke OFN-vulling wordt gebruikt, moet het systeem worden ontluicht tot de atmosferische druk, om het mogelijk te maken om er werkzaamheden aan uit te voeren. Deze handeling is essentieel, omdat er aan het leidingwerk moet worden gewerkt.

Zorg dat de uitgang van de vacuümpomp zich niet te dicht bij een ontstekingsbron bevindt en dat er geventileerd wordt.

### 8. Vulprocedures

Naast de normale vulprocedures, moeten de volgende vereisten worden gevolgd.

- Zorg dat er geen verontreiniging optreedt door verschillende koelmiddelen bij het gebruik van vulapparatuur. Slangen of leidingen moeten zo kort mogelijk worden gehouden om de hoeveelheid koelmiddel in de slangen of leidingen te minimaliseren.
- Cilinders moeten rechtop worden gehouden.
- Zorg dat het koelsysteem geaard is vóór u het systeem vult met koelmiddel.
- Markeer het systeem wanneer het vullen is voltooid (als dat niet al is gebeurd).
- Let goed op dat u het koelsysteem niet overvult.

Voor u het systeem opnieuw vult, moet de druk worden beproefd met OFN. Het systeem moet op lekkage worden getest na voltooiing van het vullen maar vóór inbedrijfstelling. Er moet een tweede lekttest worden uitgevoerd voordat u de locatie verlaat.

## 9. Buitengebruikstelling

Voor u deze procedure uitvoert, is het essentieel dat de monteur volledig bekend is met de apparatuur en alle details. Het wordt als een goede werkwijze gezien dat al het koelmiddel veilig wordt teruggewonnen. Voordat deze taak wordt uitgevoerd, moet er een monster van de olie en het koelmiddel worden afgenomen voor het geval een analyse vereist is voor het hergebruik van teruggewonnen koelmiddel. Het is essentieel dat er stroom beschikbaar is vóór de taak wordt gestart.

- 1) Leer de apparatuur en de bediening kennen.
- 2) Isoleer het systeem elektrisch.
- 3) Verzeker voordat u de procedure probeert dat:
  - Er indien nodig apparatuur voor mechanische behandeling beschikbaar is voor de behandeling van koelmiddelcilinders;
  - Alle persoonlijke beschermingsmiddelen beschikbaar zijn en juist worden gebruikt;
  - De aftapprocedure moet te allen tijde onder toezicht staan van een bevoegde persoon;
  - Apparatuur en cilinders voor het aftappen moeten voldoen aan de gepaste normen.
- 4) Pomp zo mogelijk het koelsysteem leeg.
- 5) Als een vacuüm niet mogelijk is, maak dan een spuitstuk zodat het koelmiddel uit verschillende onderdelen van het systeem kan worden verwijderd.
- 6) Zorg dat de cilinder gewogen is vóór de terugwinning plaatsvindt.



## 1 Veiligheidsinstructies

- 7) Start de terugwinningsmachine en bedien deze in overeenstemming met de instructies van de fabrikant.
- 8) Overvul de cilinders niet. (Niet meer dan 80% vloeibare vulling).
- 9) Overschrijd de maximale werkdruk van de cilinder niet, zelfs niet tijdelijk.
- 10) Wanneer de cilinders correct gevuld zijn en het proces voltooid is, verwijder de cilinders en de apparatuur dan snel en zorg dat alle isolatiekleppen op het apparaat zijn gesloten.
- 11) Teruggewonnen koelmiddel mag niet in een ander koelsysteem worden gevuld, tenzij het is gereinigd en gecontroleerd.

### 10. Markeringen

Apparatuur moet worden gelabeld met de vermelding dat deze buiten bedrijf is gesteld en dat het koelmiddel is afgetapt. Het label moet worden gedateerd en ondertekend. Zorg dat alle labels op het apparaat vermelden dat het apparaat brandbaar koelmiddel bevat.

### 11. Terugwinning

Wanneer u koelmiddel uit een systeem verwijdert, voor onderhoud of buitengebruikstelling, wordt het aanbevolen dat al het koelmiddel veilig wordt verwijderd.

## 1 Veiligheidsinstructies

Wanneer u koelmiddel in cilinders plaatst, zorg dan dat alleen geschikte cilinders voor koelmiddel terugwinning worden gebruikt. Verzekert dat het juist aantal cilinders beschikbaar is om de vulling van het hele systeem te kunnen bevatten. Alle cilinders die worden gebruikt zijn bestemd voor het teruggewonnen koelmiddel en gemarkeerd voor dat koelmiddel (d.w.z. speciale cilinders voor de terugwinning van koelmiddel). Cilinders moeten een overdrukventiel en bijbehorende afsluitklep hebben voor een goede werking. Lege terugwinningscilinders moeten worden geëvacueerd en, indien mogelijk, afgekoeld voordat terugwinning plaatsvindt.

De aftapapparatuur moet in goede staat verkeren, geschikt zijn voor het aftappen van brandbare koelmiddelen en zijn voorzien van een set instructies betreffende de apparatuur. Daarnaast moet een set gekalibreerde weegschalen beschikbaar en in goed toestand zijn. Slangen moeten een lekvrije loskoppelingen hebben en in goede staat zijn. Voordat u het terugwinningapparaat gebruikt, controleert u of deze goed werkt, goed onderhouden is en dat bijbehorende elektrische onderdelen verzegeld zijn om ontsteking te voorkomen in het geval dat er koelmiddel vrijkomt. Raadpleeg bij twijfel de fabrikant.

## 1 Veiligheidsinstructies

Het afgetapte koelmiddel moet worden geretourneerd aan de leverancier van het koelmiddel in een geschikte opvangcilinder en worden vergezeld van de relevante notitie voor afvaloverdracht. Meng geen koelmiddelen in terugwinningseenheden, vooral niet in cilinders.

Als compressoren of compressoroliën verwijderd moeten worden, zorg dan dat ze gelegeerd zijn naar een acceptabel niveau om er zeker van te zijn dat er geen brandbaar koelmiddel meer in het smeermiddel zit. Het ledigingsproces moet worden uitgevoerd vóór u de compressor naar de leveranciers retourneert. Er mag uitsluitende elektrische verwarming worden toegepast op de behuizing van de compressor, om deze procedure te versnellen. Als er olie van een systeem wordt afgetapt, dan moet dit veilig worden uitgevoerd.

### Parameters van de zekeringen van het apparaat

Type: 5ET of SMT      Spanning: 250 V      Stroom: 3,15 A

## 2 Eigenschappen en componenten

### 2.1 Eigenschappen

Gloednieuw uiterlijk, compacte structuur, soepele lijn, eenvoudige en royale vormgeving.

Functies voor koelen, ontvochtigen, luchttoevoer en constante afvoer

De buitenaansluiting is hoog geplaatst om de montage te faciliteren en de stroom van de warmtebuis soepel te houden.

Het bedieningspaneel bevat mooie en modieuze led-schermen. Hoogwaardige afstandsbediening. Het ontwerp van afstandsbediening is gebruikersvriendelijk.

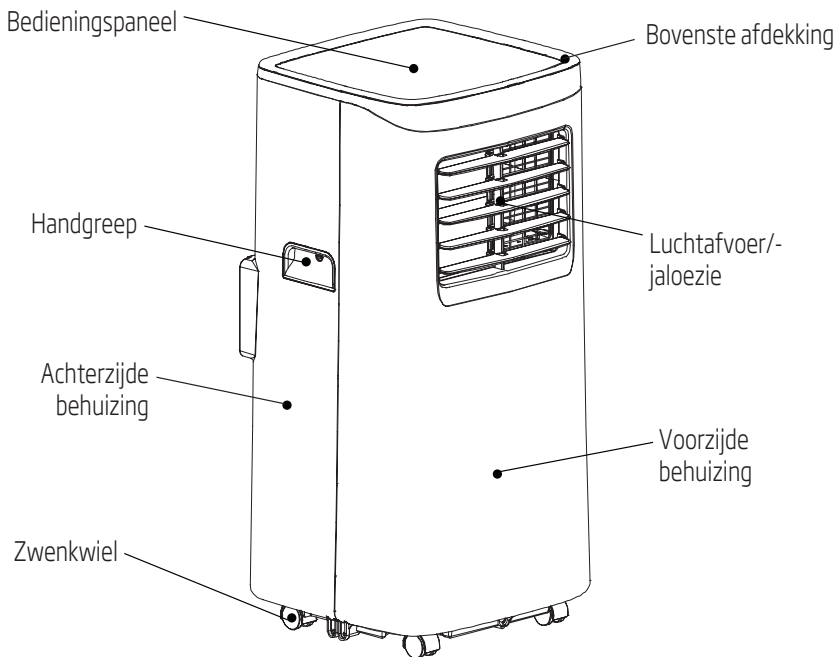
Vermogen voor luchtfiltering.

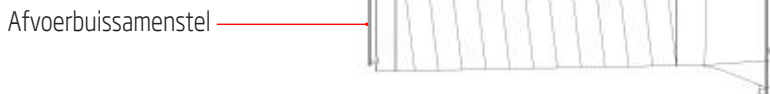
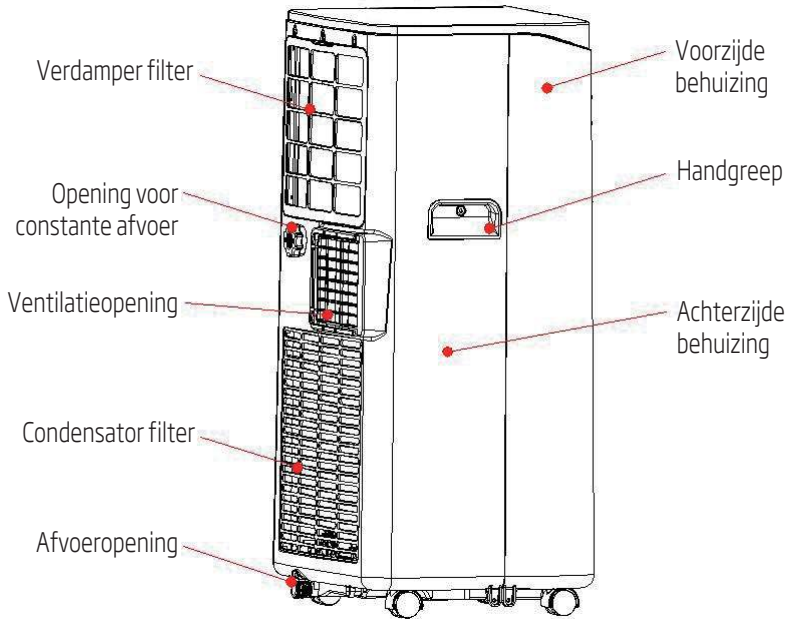
Functie met timingschakelaar.

Beveiligingsfunctie om de compressor pas na drie minuten automatisch opnieuw te starten; een variatie op andere beschermingsfuncties.

De maximale bedrijfstemperatuur voor de airconditioner bij koelen: 35/24 °C; werkbereik temperatuur: 7 - 35 °C.

### 2.2 Onderdelen

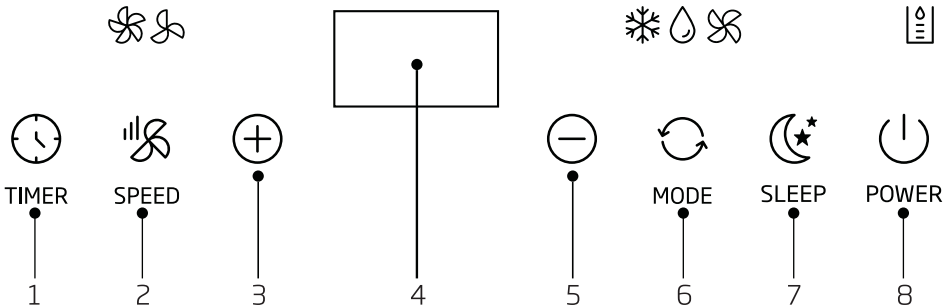




## 3 Instelling bediening

### 3.1 Gebruiksaanwijzing voor het bedieningspaneel

#### Bedieningsinterface



1. Timertoets
  2. Keuzetoets ventilatorsnelheid
  3. Toets omhoog
  4. Weergavevenster
  5. Toets omlaag
  6. Moduskeuzetoets
  7. Toets Slaap
  8. Toets aan-/uittoets
1. Als het apparaat voor de eerste keer wordt ingeschakeld, dan speelt de zoemer de muziek voor het inschakelen, waarna het apparaat in de modus stand-by schakelt.
  2. **Aan-/uittoets:** druk op deze toets om het apparaat in- en uit te schakelen. Als het apparaat is ingeschakeld, druk dan op deze toets om het uit te schakelen; als het apparaat is uitgeschakeld, druk dan op deze toets om het in te schakelen.
  3. **Moduskeuzetoets:** Als het apparaat is ingeschakeld, druk dan op deze toets om te wisselen tussen de modi cooling (koelen) → dehumidifying (ontvochtigen) → en fan (ventilator).
  4. **Toetsen omhoog en omlaag:** druk op deze toetsen voor het wijzigen van de instelling temperatuur of tijd. Ga hiervoor als volgt te werk:  
  
Druk tijdens het instellen van de temperatuur op de toets omhoog of omlaag om de vereiste temperatuur te selecteren (niet beschikbaar in de modi fan (ventilator) of dehumidifying (ontvochtigen)).  
  
Druk tijdens het instellen van de tijd op de toets omhoog of omlaag om de vereiste tijd te selecteren.

## 3 Instelling bediening

### 5. **Selectietoets wind speed (ventilatorsnelheid):**

Druk in de modi cooling (koelen) en fan (ventilator) op deze toets om de hoge of lage ventilatorsnelheid te selecteren. Onder bepaalde omstandigheden draait deze niet op de ingestelde ventilatorsnelheid, vanwege beperkingen door omstandigheden tegen koude.

In de modus dehumidifying (ontvochtigen), is het drukken op deze toets ongeldig draait de fan (ventilator) gedwongen op de lage snelheid.

### 6. **Timingtoets:**

Druk als het apparaat is ingeschakeld op deze toets om de timer uit te schakelen; als het is ingeschakeld, druk dan op deze toets om de timer in te schakelen.

Druk op deze toets als het timingsymbool knippert; druk op de toetsen omhoog en omlaag om de gewenste waarde voor de timer te selecteren.

Timerwaarden kunnen worden ingesteld tussen 1 en 24 uur en de timerwaarde wordt met één uur verhoogd of verlaagd.

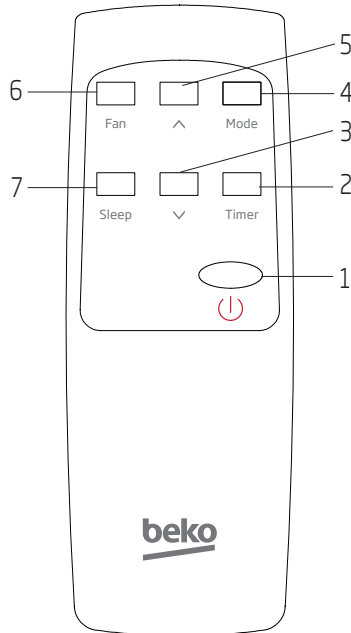
### 7. **Modus sleep (slaapmodus):**

Druk in de modus cooling (koelen) op de toets omhoog en Fan (ventilator) om de modus sleep (slaapmodus) in te schakelen. Het apparaat werkt dan in de stand energiebesparing en stil.




## 3 Instelling bediening

### 3.2 Gebruiksaanwijzing voor de afstandsbediening

Het paneel van de afstandsbediening ziet er als volgt uit:



De instructies voor het bedienen van de toetsen van de hoogwaardige afstandsbediening zijn als volgt:


1. Aan/uit: druk op de toets  om het apparaat in of uit te schakelen.
2. Timer: druk op de timertoets om de timer in te stellen.
3. Omlaag: druk op de toets  om de temperatuur en ingestelde waarde van de timer te verlagen.
4. Modus: druk op de toets Mode (modus) om te wisselen tussen de modi cooling (koelen), fan (ventilator) en dehumidifying (ontvochtigen).
5. Omhoog: druk op de toets  om de ingestelde waarde voor de temperatuur en timer te verhogen.
6. Ventilator: druk op de ventilator-toets om de hoge of lage ventilatorsnelheid te selecteren.
7. Modus sleep (slaapmodus): druk op de slaap toets om de modus sleep (slaapmodus) in te schakelen.



**1. Vorstbeveiligingsfunctie**

Als de temperatuur van de afvoerbuis te laag is in de modus cooling (koelen), dehumidifying (ontvochtigen) of energiebesparing, dan gaat het apparaat automatisch naar de beschermingsstatus; als de temperatuur van de afvoerbuis oploopt tot een bepaalde temperatuur, dan kan deze automatisch terugkeren naar de normale werking.

**2. Overloopbeveiligingsfunctie**

Als het water in de waterbak hoger wordt dan het waarschuwingsniveau, dan laat het apparaat automatisch een alarm horen en het indicatielampje "  " begint te knipperen. U dient op dit punt de afvoerbuis tussen het apparaat en de waterafvoer te verplaatsen naar de riolering of een andere afvoer om het water af te voeren (zie *Instructies voor afvoer* aan het einde van dit hoofdstuk voor details). Het apparaat keert na het afvoeren van het water automatisch terug naar de oorspronkelijke stand.

**3. Beveiligingsfunctie van de compressor**

De compressor heeft een beveiligingsfunctie in de vorm van het vertragen van het opstarten met 3 minuten, nadat de compressor wordt uitgeschakeld, om de levensduur hiervan te verlengen.

## 5 Installatie en afstelling

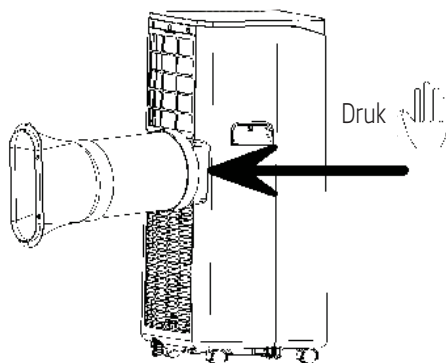
### 5.1 Installatie



**Waarschuwing:** Laat de mobiele airconditioner minstens twee uur rechtop staan, voordat u deze gebruikt.

De airconditioner gemakkelijk worden verplaatst in de ruimte. Zorg ervoor dat de airconditioner tijdens het verplaatsen rechtop staat. De airconditioner moet op een vlakke ondergrond worden geplaatst. De airconditioner mag niet worden geïnstalleerd en gebruikt in badkamers of andere vochtige omgevingen.

1. Installeer het warmtebuissamenstel (zoals getoond in afb. 1)



Afbeelding 1

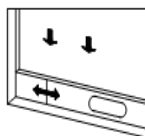
- 1) Verwijder het buitenste connectorsamenstel en het afvoerbuissamenstel en verwijder de plastic zakken;
  - 2) Steek het warmtebuissamenstel (het einde van de afvoerkoppeling) in de ventilatiesleuf op het achterpaneel (duw het naar links) en voltooi het samenstel (zoals getoond in afb. 1).
2. Installatie componenten raamafdichtplaat
- 1) Open het raam half en monteer het raamafdichtplaatsamenstel aan het raam (zoals getoond in afb. 2 en 3). De componenten kunnen worden geplaatst in horizontale en verticale richting.
  - 2) Trek de verschillende componenten van het raamafdichtplaatsamenstel open, pas de afstand van de opening aan om beide uiteinden van het samenstel in contact te komen met het raamkozijn en bevestig de verschillende componenten van het samenstel.

## 5 Installatie en afstelling

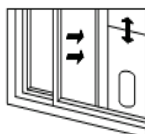


### Opmerking:

1. Het platte uiteinde van de afvoerbuis koppeling moet op zijn plaats worden geklikt.
2. De buis mag niet zijn vervormd of sterk worden gedraaid (meer dan 45°). Zorg dat de ventilatie van de afvoerbuis niet wordt geblokkeerd.



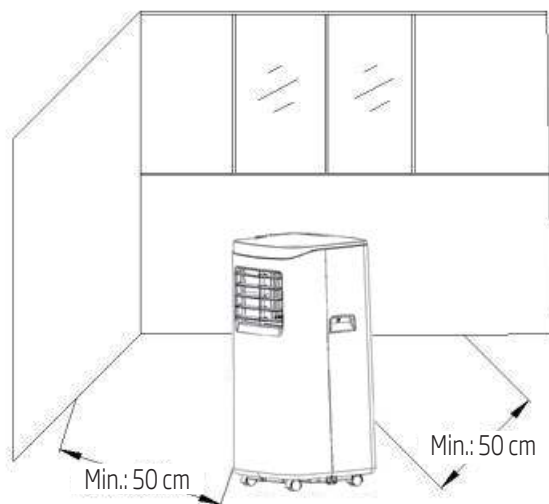
Afbeelding 2



Afbeelding 3

### 3. Installeer de behuizing

- 1) Verplaats het apparaat met geïnstalleerde warmtebuis en koppelingen voor het raam. De afstand tussen de behuizing en wanden of andere objecten moet minstens 50 cm bedragen (zoals getoond in afb. 4).



Afbeelding 4

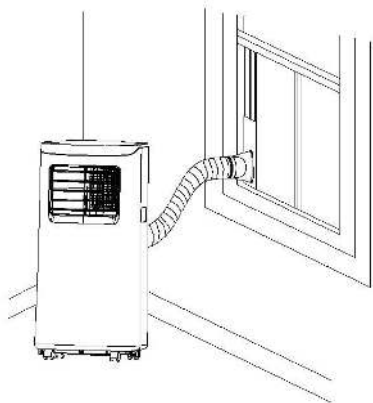
- 2) Trek de afvoerbuis uit en klik het platte uiteinde van de koppelingen van de afvoerbuis in het gat van het raamafdichtplaatzenstel (zoals getoond in afb. 5 en 6).

## 5 Installatie en afstelling

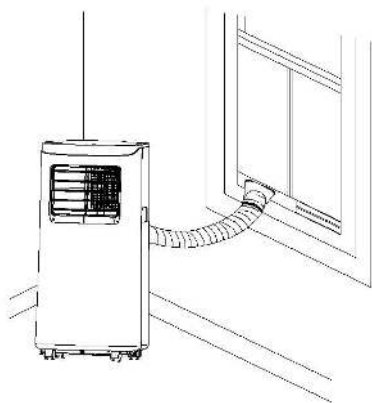
### Opmerking:



1. Het platte uiteinde van de afvoerbuiskoppeling moet op zijn plaats worden geklikt.
2. De buis mag niet zijn vervormd of sterk worden gedraaid (meer dan 45°). Zorg dat de ventilatie van de afvoerbuis niet wordt geblokkeerd.



Afbeelding 5



Afbeelding 6

### Belangrijke kennisgeving:



De lengte van de afvoerslang moet 280 ~ 1,500 mm bedragen. Deze lengte is gebaseerd op de specificaties van de airconditioner. Gebruik geen verlengbuizen of vervang de buizen/slangen ook niet door andere; dit kan anders storingen veroorzaken. De afvoerslang mag niet worden geblokkeerd, omdat dit oververhitting kan veroorzaken.

## 6 Instructies voor afvoer

Dit apparaat is voorzien van twee afvoermethoden: handmatige afvoer en constante afvoer.

1. Handmatige afvoer:

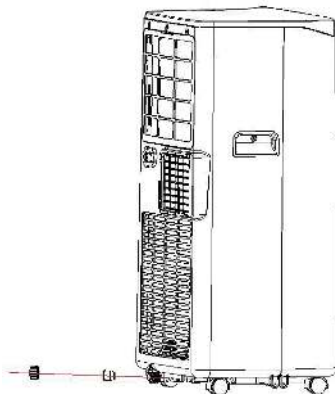
- 1) Als het apparaat stopt als het de waterbak vol is, schakel dan het apparaat uit en haal de netstekker uit het stopcontact.



**Opmerking:** Verplaats het apparaat voorzichtig, zodat u het water in de waterbak in het onderste deel van de behuizing niet morst.

2) Plaats de waterbak onder de waterafvoer aan de achterkant van de behuizing.

- 3) Draai het deksel van de opvangbak los en draai de aftapplug eruit; het water stroomt automatisch in de waterbak.



**Opmerking:**

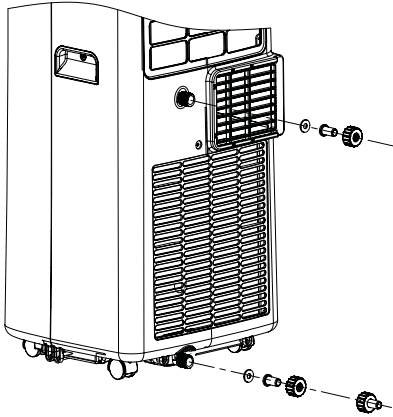
1. Bewaar het deksel van de opvangbak en de aftapplug goed.
2. De behuizing kan tijdens het leeglopen iets achteruit worden gekanteld.
3. Als de waterbak niet al het water kan bevatten, sluit dan voordat de waterbak vol is de waterafvoer af met de aftapplug, om te voorkomen dat er water op de vloer of een tapijt loopt.
4. Als het water is afgevoerd, breng dan de aftapplug en het deksel van de opvangbak weer aan.



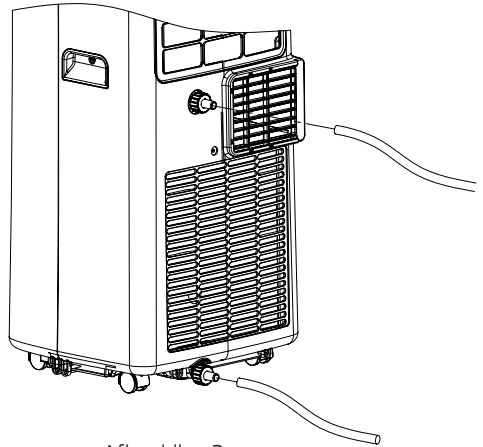
## 6 Instructies voor afvoer

2. Constante afvoer, zoals getoond in afbeelding:

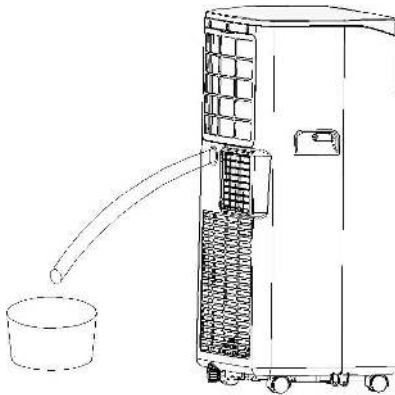
- 1) Draai het deksel van de opvangbak los en verwijder de aftapplug.
- 2) Plaats de afvoerbuis in de waterafvoer.
- 3) Sluit de afvoerbuis aan op de emmer.



Afbeelding 1



Afbeelding 2



Afbeelding 3

## 7 Onderhoud

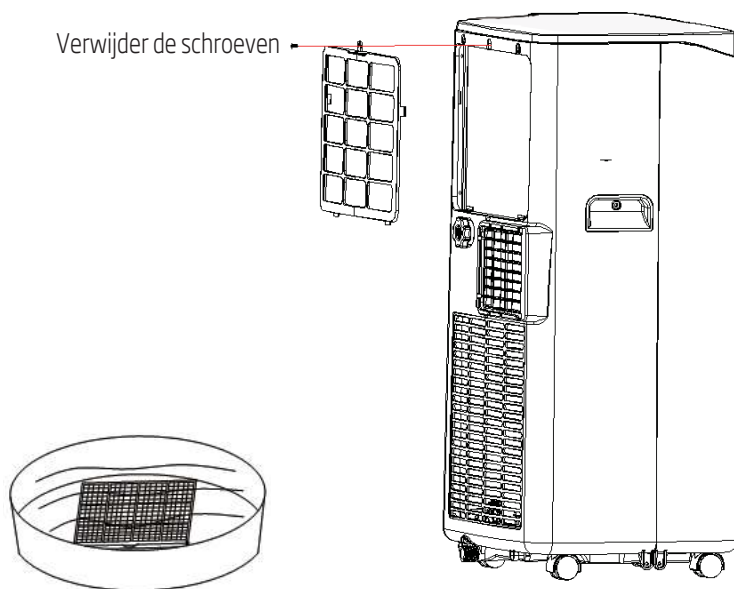
**Reiniging:** schakel het apparaat uit en haal de stekker uit het stopcontact vóór reiniging en onderhoud.

### 7.1 Reinig het oppervlak

Reinig het oppervlak van het apparaat met een zachte, vochtige doek. Gebruik geen chemicaliën, zoals benzeen, alcohol, benzine enz.; anders wordt het oppervlak van de airconditioner, of zelfs het hele apparaat, beschadigd.

### 7.2 Reinig het filterscherm

Als het filterscherm is verstopt door stof en de effectiviteit van de airconditioner wordt verminderd, zorg er dan voor om het filterscherm iedere twee weken te reinigen.



### 7.3 Reinig het bovenste frame van het filterscherm

1. Draai één schroef van het Verdamer filterscherm los, druk de schaal terug met een schroevendraaier en verwijder het Verdamer filterscherm.
2. Doe het Verdamer filterscherm in warm water met een neutraal reinigingsmiddel (ongeveer 40 °C/104 °F), spoel het schoon en droog het in de schaduw.

## 8 Opslag van het apparaat

1. Draai het deksel van de opvangbak los, draai de aftapplug eruit en laat het water in de waterbak in andere waterbakken lopen of kantel de bak direct om het water in een andere bak te gieten.
2. Schakel het apparaat in, zet het in de lage ventilatiemodus en laat hem hierin staan totdat de afvoerbuï droog wordt, om de binnenkant van de behuizing droog te houden en schimmelvorming te voorkomen.
3. Schakel het apparaat uit, haal de netstekker uit het stopcontact en wikkel het netsnoer rondom de daarvoor bestemde haken; installeer de aftapplug en het deksel van de opvangbak.
4. Verwijder de afvoerbuï en bewaar deze goed.
5. Dek de airconditioner af met een plastic zak. Zet de airconditioner op een droge plaats; houd deze buiten het bereik van kinderen en neem maatregelen tegen stof.
6. Verwijder de batterijen uit de afstandsbediening en bewaar deze goed.




**Opmerking:** Verzekert dat de behuizing wordt geplaatst op een droge plaats en bewaar alle componenten van het apparaat goed.



## 9 Problemen oplossen

Repareer of demonteer de airconditioner niet zelf. Ongekwalificeerde reparaties leiden tot het vervallen van de garantie en kunnen letsel aan gebruikers of schade aan hun eigendommen veroorzaken.

Problemen	Redenen	Oplossingen
De airconditioner werkt niet.	Er is geen elektriciteit.	Schakel het apparaat in nadat u deze hebt aangesloten op een stopcontact met stroom.
	Het indicatielampje voor overstroom "  " licht op.	Voer het water in het apparaat af.
	De omgevingstemperatuur is te laag of te hoog	Het wordt aanbevolen om het apparaat te gebruiken bij temperaturen van 7 - 35 °C (44 - 95 °F).
	De kamertemperatuur is in de koelmodus lager dan de ingestelde temperatuur;	Wijzig de ingestelde temperatuur.
	De omgevingstemperatuur is laag in de modus dehumidification (ontvochtigen).	Het apparaat is geplaatst in een ruimte met een omgevingstemperatuur van meer dan 17 °C (62 °F).
Het koeleffect is niet goed	Er is direct zonlicht.	Sluit de gordijnen.
	Er zijn open deuren of ramen; er zijn veel mensen; of er zijn in de modus cooling (koelen) andere warmtebronnen.	Sluit deuren en ramen en voeg een extra airconditioner toe.
	Het filterscherm is vuil.	Reinig of vervang het filterscherm.
	De luchtinlaat of -afvoer is geblokkeerd.	Verwijder belemmeringen.
Veel lawaai	De airconditioner staat niet op een vlakke ondergrond.	Zet de airconditioner op een vlakke en harde ondergrond (om lawaai te verminderen).
De compressor werkt niet.	Oververhittingsbeveiliging start.	Wacht 3 minutes totdat de temperatuur is gezakt start het apparaat dan opnieuw.

## 9 Problemen oplossen

Problemen	Redenen	Oplossingen
De afstandsbediening werkt niet.	De afstand tussen het apparaat en de afstandsbediening is te groot.	Houd de afstandsbediening dichtbij de airconditioner en zorg ervoor dat de afstandsbediening direct in de richting van de ontvanger voor de afstandsbediening wijst.
	De afstandsbediening is niet uitgelijnd met de richting naar de ontvanger voor de afstandsbediening.	
	De batterijen zijn leeg.	Vervang de batterijen.
Geef 'E1' weer.	De kamertemperatuursensor is abnormaal.	Controleer de kamertemperatuursensor en het gerelateerde circuit.
Geeft 'E2' weer	De temperatuursensor van de buis is abnormaal.	Controleer de temperatuursensor van de buis en het gerelateerde circuit.

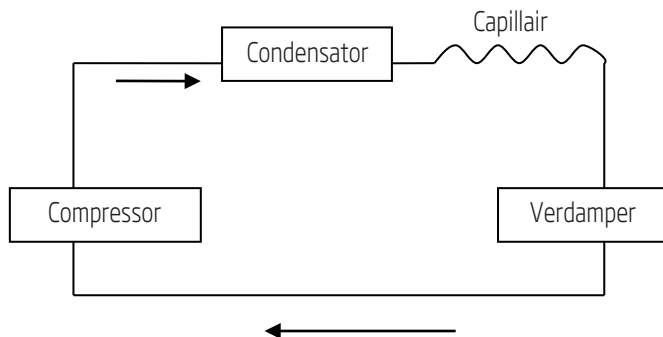


**Opmerking:** Als er zich problemen voordoen die niet zijn vermeld in de tabel of de aanbevolen oplossingen werken niet, neem dan contact op met een professionele onderhoudsorganisatie.

## 10 Bijvoegsel

### Schematische voorstelling van de airconditioner

(De specifieke technische parameters van het apparaat zijn onderworpen aan het typeplaatje op het product)



Behandeling: Voer het afgedankte apparaat niet af met ander ongesorteerd afval. Dergelijk afval moet apart worden ingezameld voor ander speciaal gebruik.



Dit product voldoet aan de EU WEEE-richtlijn (2012/19/EU). Dit product is voorzien van een classificatiesymbool voor afgedankte elektrische en elektronische apparatuur (WEEE). Dit symbool geeft aan dat dit product niet met ander huishoudelijk afval kan worden verwijderd aan het eind van de levensduur. Gebruikte apparaten moeten naar een officieel inzamelingspunt voor elektrische en elektronische apparaten worden gebracht. Voor de locatie van deze inzamelingspunten kunt u contact opnemen met de gemeente of verkoper waar u het product hebt gekocht. Elk huishouden speelt een belangrijke rol in het herstellen en recyclen van oude apparaten. Adequate verwijdering van gebruikte apparaten helpt mogelijke negatieve consequenties voor het milieu en de volksgezondheid te voorkomen.

# 11 Installatie-instructies

## 11.1 F-Gas instructie

Dit product bevat gefluoreerde broeikasgassen.

Deze gefluoreerde broeikasgassen zitten opgesloten in een hermetisch verzegelde uitrusting.

Installaties, services, onderhoud, reparaties, lekkagecontroles of buitendienststelling en terugwinning moeten worden uitgevoerd door natuurlijke personen in bezit van de vereiste certificaten.

Als er een systeem voor lekkagedetectie in het systeem is geïnstalleerd, moeten minstens elke 12 maanden lekkagecontroles worden uitgevoerd om te verifiëren dat het systeem nog steeds correct werkt.

Als lekkagecontroles op het product moeten worden uitgevoerd, dan dient er een inspectieschema te zijn gespecificeerd en moeten de lekkagecontroles worden genoteerd en bijgehouden.



**Opmerking:** Als bij hermetisch afgedichte apparatuur, zoals mobiele airconditioners, raamairconditioners en ontvochtigers, de CO<sub>2</sub>-equivalent van gefluoreerde broeikasgassen minder is dan 10 ton, dan hoeven er geen controles op lekkages te worden uitgevoerd.

## 12 Specificaties

Beko modelnaam	BS207C
Merk	Beko
Koelmiddel	R290
Totale hoeveelheid koelmiddel (g)	130
Klimaatklasse	T1
Verwarmingstype	-
Bedieningstype	Afstandsbediening
Afkoelcapaciteit (Btu/u)	6500
Afkoelcapaciteit (W)	1905
Energiezuinig afkoelen (W/W)	2,6
Koelen op energieniveau	A
Ingangsvermogen koelen (W)	732
Spanning/Frequentie (V/Hz)	220-240V~50Hz
Stroomsterkte koelen (A)	3,2
Geluidsdrukniveau (dBA) (geluidsdruk)	65/-/-
Luchtdebiet (m <sup>3</sup> /h)	300
Vochtverwijdering (l/h)	0,8
Bereik bedrijfstemperatuur bij koelen (°C)	16-35
Afmetingen van apparaat (b x h x d) mm	305×678×328
Netto gewicht (kg)	19

1. De specificaties zijn standaardwaarden, berekend op basis van nominale bedrijfsomstandigheden. Deze kunnen variëren in andere bedrijfsomstandigheden.
2. Ons bedrijf biedt snelle technische verbeteringen. Er is geen voorafgaande kennisgeving voor enige wijzigingen in de technische gegevens. Lees het typeplaatje op de airconditioner.
3. De nominale waarde is getest op 35/24 (in) 35/24 (uit).



# Lesen Sie zunächst diese Bedienungsanleitung durch!

Sehr geehrte Kundinnen und Kunden,

vielen Dank, dass Sie sich für ein Produkt von Beko entschieden haben. Wir hoffen, dass Ihnen dieses Produkt optimalen Nutzen bringen wird. Dieses hochwertige Produkt wurde mit modernster Technologie hergestellt. Lesen Sie die gesamte Bedienungsanleitung und alle anderen Begleitdokumente sorgfältig durch, bevor Sie das Produkt verwenden, und heben Sie alle Dokumente gut auf. Falls Sie das Produkt an Dritte weitergeben, überreichen Sie auch diese Bedienungsanleitung. Beachten Sie alle Warnungen und Informationen in dieser Bedienungsanleitung.

## Erläuterung der Symbole

Die folgenden Symbole finden Sie im Verlauf der Bedienungsanleitung:

	Wichtige Information oder nützliche Hinweise für den Gebrauch.
--	--

	Dieses Symbol zeigt an, dass die Bedienungsanleitung sorgfältig gelesen werden sollte.
---	--


	Warnung vor Situationen, die eine Gefahr für Leben und Sach Eigentum darstellen.
--	--

	Dieses Symbol zeigt an, dass Servicepersonal dieses Gerät unter Bezugnahme auf das Installationshandbuch handhaben sollte.
---	--

	Warnung bzgl. Handlungen, die niemals durchgeführt werden dürfen.
--	---

	Warnung vor Stromschlägen.
---	----------------------------

	Dieses Symbol zeigt an, dass dieses Gerät ein brennbares Kältemittel verwendet. Wenn das Kältemittel ausläuft und einer externen Zündquelle ausgesetzt ist, besteht Brandgefahr.
--	--

	Warnung vor heißen Oberflächen.
--	---------------------------------

	Nicht abdecken.
--	-----------------



Dieses Produkt wurde in einer umweltgerechten, modernen Produktionsstätte hergestellt.

# INHALTSVERZEICHNIS

<b>1 Sicherheitshinweise</b>	<b>121</b>
<b>2 Merkmale und Komponenten</b>	<b>140</b>
2.1 Eigenschaften .....	140
2.2 Komponenten.....	140
<b>3 Bedienung</b>	<b>142</b>
3.1 Bedienungshinweise für das Bedienfeld .....	142
3.2 Fernbedienung.....	144
<b>4 Schutzfunktionen</b>	<b>145</b>
<b>5 Installation und Einstellung</b>	<b>146</b>
5.1 Aufbau .....	146
<b>6 Entleerung</b>	<b>149</b>
<b>7 Wartung und Instandhaltung</b>	<b>151</b>
7.1 Gerätegehäuse reinigen .....	151
7.2 Filtersieb reinigen.....	151
7.3 Oberen Rahmen des Filtersiebs reinigen .....	151
<b>8 Gerät lagern</b>	<b>152</b>
<b>9 Fehlerbehebung</b>	<b>153</b>
<b>10 Anhang</b>	<b>155</b>
<b>11 Installationsanleitungen</b>	<b>156</b>
11.1 F-Gas-Anweisung.....	156
<b>12 Technische Daten</b>	<b>157</b>

Das in mobilen Klimageräten verwendete Kältemittel ist der umweltfreundliche Kohlenwasserstoff R290. Dieses Kältemittel ist geruchlos und im Vergleich zu alternativen Kältemitteln ein ozonfreies Kältemittel, dessen Wirkung sehr gering ist.

Bitte lesen Sie vor Gebrauch und Reparatur die Anleitung.

Die in dieser Anleitung enthaltenen Zeichnungen weichen möglicherweise vom physischen Gerät etwas ab. Bitte beziehen Sie sich auf das jeweilige physische Gerät.



## Warnhinweise:

- Verwenden Sie keine Mittel oder Wege, um den Abtauvorgang zu beschleunigen oder das Gerät zu reinigen, außer den vom Hersteller empfohlenen.
- Das Gerät ist in einem Raum ohne kontinuierlich betriebene Zündquellen zu lagern (z. B. offene Flammen, ein eingeschaltetes Gasgerät oder ein eingeschaltetes Elektroheizgerät).
- Nicht durchbohren oder Feuer aussetzen.
- Beachten Sie, dass Kältemittel möglicherweise keinen Geruch haben.
- Das Gerät muss in einem Raum mit einer Bodenfläche von mehr als 7 m<sup>2</sup> installiert, betrieben und gelagert werden.
- Das Gerät muss frei von Blockierungen gehalten werden, um eine ordnungsgemäße Funktion zu gewährleisten und Gefahren zu minimieren.
- Wartungsarbeiten dürfen nur gemäß den Empfehlungen des Herstellers durchgeführt werden.
- Das Gerät muss in einem gut belüfteten Bereich eingesetzt werden, dessen Raumgröße der für den Betrieb angegebenen Raumfläche entspricht.
- Jede Person, die an der Arbeit an einem Kältemittelkreislauf oder dem Öffnen eines solchen beteiligt ist, sollte über ein aktuell gültiges Zertifikat einer von der Branche anerkannten Bewertungsbehörde verfügen, das ihre Kompetenz zum sicheren Umgang mit Kältemitteln gemäß einer von der Branche anerkannten Bewertungsspezifikation berechtigt.

## 1 Sicherheitshinweise

- Wartungsarbeiten dürfen nur wie vom Gerätehersteller empfohlen durchgeführt werden. Wartungs- und Reparaturarbeiten, die die Unterstützung durch anderes Fachpersonal erfordern, sind unter Aufsicht einer für die Verwendung brennbarer Kältemittel geschulten Person durchzuführen.
- Alle Arbeiten, die die Sicherheitsmechanismen betreffen, dürfen nur von Fachkräften durchgeführt werden.

### Hinweis:

- Das Klimagerät ist nur für den Einsatz in Innenräumen und nicht für andere Anwendungen geeignet.
- Befolgen Sie bei der Installation des Klimageräts die örtlichen Netzanschlussvorschriften und gewährleisten Sie eine ordnungsgemäße Erdung. Wenn Sie Fragen zur elektrischen Installation haben, befolgen Sie die Anleitungen des Herstellers und lassen Sie das Gerät ggf. von einem Elektriker installieren.
- Stellen Sie das Gerät an einem ebenen und trockenen Ort auf und halten Sie einen Abstand von mehr als 50 cm zu umgebenden Gegenständen oder Wänden ein.
- Vergewissern Sie sich nach der Installation, dass der Netzstecker intakt ist und fest in der Steckdose steckt und verlegen Sie das Netzkabel so, dass jemand nicht darüber stolpert oder den Stecker herauszieht.
- Führen Sie keine Fremdkörper in den Lufteinlass und Luftauslass des Klimageräts ein. Halten Sie den Lufteinlass und den Luftauslass frei von Blockierungen.



### Hinweis:

- Achten Sie beim Installieren von Ablaufleitungen darauf, dass sie ordnungsgemäß angeschlossen und nicht verbogen sind.
- Berühren Sie beim Einstellen die oberen und unteren Windleitstreifen des Luftauslasses vorsichtig, um eine Beschädigung zu vermeiden.
- Achten Sie beim Bewegen des Geräts darauf, dass es in aufrechter Position steht.
- Das Gerät muss von Benzin, brennbarem Gas, Öfen und anderen Wärmequellen ferngehalten werden.
- Demontieren, verändern und modifizieren Sie das Gerät nicht eigenmächtig, da dies zu Fehlfunktionen, Schäden oder Verletzungen führen kann. Um Gefahren zu vermeiden, wenden Sie sich im Falle einer Störung an den Hersteller oder an Fachleute, um die Störung zu beheben.
- Installieren und verwenden Sie das Klimagerät nicht in Badezimmern oder anderen feuchten Umgebungen.
- Ziehen Sie nicht den Netzstecker, um das Gerät auszuschalten.
- Stellen Sie keine Gegenstände auf das Gehäuse, um zu verhindern, dass Wasser oder andere Flüssigkeiten in das Klimagerät eindringen.



## Hinweis:

- Verwenden Sie keine Insektensprays oder andere entflammbare Substanzen in der Nähe des Klimageräts.
- Wischen oder waschen Sie das Klimagerät nicht mit chemischen Lösungsmitteln wie Benzin und Alkohol ab. Wenn Sie das Klimagerät reinigen müssen, müssen Sie die Stromversorgung unterbrechen und es mit einem feuchten weichen Tuch reinigen. Wenn das Gerät stark verschmutzt ist, wischen Sie es mit einem milden Reinigungsmittel ab.
- Dieses Gerät ist geeignet für den Gebrauch durch Kinder ab 8 Jahren, sofern sie beaufsichtigt oder über den sicheren Umgang mit dem Gerät angeleitet werden und die damit einhergehenden Gefahren verstehen. Reinigung und durch den Benutzer dürfen nicht von Kindern vorgenommen werden, es sei denn, sie sind mindestens 8 Jahre alt und werden beaufsichtigt. Bewahren Sie das Gerät und sein Kabel außerhalb der Reichweite von Kindern unter 8 Jahren auf.
- Ein beschädigtes Netzkabel muss vom Hersteller, dessen Kundendienst oder einer ähnlich qualifizierten Fachkraft ersetzt werden, um Gefahrensituationen zu vermeiden.



### Hinweis:



- Das Gerät muss gemäß den nationalen Verdrahtungsvorschriften installiert werden.
- Betreiben Sie Ihr Klimagerät nicht in einem Nassraum wie einem Badezimmer oder einer Waschküche.
- Dieses Gerät ist nicht für die Verwendung durch Personen (einschließlich Kinder) mit eingeschränkten körperlichen, sensorischen oder psychischen Fähigkeiten und ohne Erfahrung oder Vorwissen geeignet, außer wenn eine angemessene Aufsicht oder ausführliche Anleitung zur Benutzung des Gerätes durch eine verantwortliche Person sichergestellt ist.
- Kinder sollten beaufsichtigt werden, um sicherzustellen, dass sie nicht mit dem Gerät spielen.

## 1 Sicherheitshinweise



- Warnung: Verwenden Sie keine Mittel oder Wege, um den Abtauvorgang zu beschleunigen oder das Gerät zu reinigen, außer den vom Hersteller empfohlenen. Das Gerät ist in einem Raum ohne kontinuierlich betriebene Zündquellen zu lagern (z. B. offene Flammen, ein eingeschaltetes Gasgerät oder ein eingeschaltetes Elektroheizgerät). Nicht durchbohren oder Feuer aussetzen. Beachten Sie, dass Kältemittel möglicherweise keinen Geruch haben.
- Das Gerät muss die Isolierung eines Fehlerstromschutzschalters (FI-Schutzschalter) aufweisen, der einen Bemessungsfehlerstrom von 30 mA nicht übersteigt.
- Dieses Gerät ist für den Gebrauch in Haushaltsanwendungen und ähnlichen Anwendungen wie z. B.
  - Mitarbeiterküchen in Geschäften, Büros und anderen Arbeitsumgebungen;
  - Bauernhäusern;
  - von Gästen in Hotels, Motels und anderen Wohnumgebungen;
  - Bed & Breakfast-Gästehäusern vorgesehen.

### Transport, Kennzeichnung und Lagerung des Geräts

- Transport von Geräten, die brennbare Kältemittel enthalten.  
Einhaltung der Transportvorschriften

# 1 Sicherheitshinweise

- Kennzeichnung des Geräts mit Schildern.  
Einhaltung der örtlichen Vorschriften
- Entsorgung von Geräten, die brennbare Kältemittel verwenden.  
Einhaltung der nationalen Vorschriften
- Lagerung von Anlagen/Geräten  
Die Lagerung von Geräten sollte gemäß den Anweisungen des Herstellers erfolgen.
- Lagerung von verpackten (nicht verkauften) Geräten  
Der Schutz der Verpackung zur Aufbewahrung sollte so gestaltet sein, dass ein mechanischer Schaden an den Geräten in der Verpackung nicht zu einem Leck der Kältemittelfüllung führt.  
Die maximale Anzahl von Geräten, die zusammen gelagert werden dürfen, wird durch örtliche Vorschriften festgelegt.  
Die folgenden 9 Punkte sind nur für professionelle Servicepartner zu beachten und sind nicht für Endverbraucher gedacht.

## 1. Wartungsinformationen

### 1) Überprüfung der Umgebung

Vor Beginn der Arbeiten an Systemen, die brennbare Kältemittel enthalten, sind Sicherheitsüberprüfungen erforderlich, um sicherzustellen, dass die Zündgefahr minimiert wird. Für Reparaturen am Kühlsystem sind vor Durchführung von Arbeiten am System die folgenden Vorsichtsmaßnahmen zu beachten.

### 2) Arbeitsverfahren

Die Arbeiten sind in einem kontrollierten Verfahren durchzuführen, um das Risiko zu minimieren, dass während der Ausführung der Arbeiten brennbare Gase oder Dämpfe vorhanden sind.

## 1 Sicherheitshinweise

### 3) Allgemeiner Arbeitsbereich

Alle Wartungskräfte und andere in der Umgebung tätige Personen müssen über die Art der durchgeführten Arbeiten unterrichtet werden. Arbeiten in beengten Räumen sind zu vermeiden. Die Umgebung um den Arbeitsbereich herum muss abgetrennt werden. Stellen Sie sicher, dass die Umgebungsbedingungen sicher sind. Es darf sich kein brennbares Material in der Nähe befinden.

### 4) Prüfen, ob Kältemittel vorhanden ist

Der Bereich muss vor und während der Arbeit mit einem geeigneten Kältemitteldetektor überprüft werden, um sicherzustellen, dass sich der Techniker möglicherweise brennbarer Atmosphären bewusst ist. Stellen Sie sicher, dass das verwendete Leckerkennungsgerät für brennbare Kältemittel geeignet ist, d. h., dass es funkenfrei, ausreichend dicht oder eigensicher ist.

### 5) Vorhandensein eines Feuerlöschers

Wenn Heiarbeit an der Khlanlage oder zugehörigen Teilen durchgeführt werden sollen, müssen geeignete Feuerlöschgeräte zur Verfügung stehen. Halten Sie einen Trockenpulver- oder CO<sub>2</sub>-Löcher in der Nähe des Ladebereichs bereit.

### 6) Keine Zündquellen

Personen, die Arbeiten in Bezug auf ein Khlsystem durchführen, bei denen Rohrleitungen mit brennbarem Kltemittel freigelegt werden oder brennbares Kltemittel darin enthalten ist, dürfen Zündquellen nicht so einsetzen, dass eine Brand- oder Explosionsgefahr besteht. Alle möglichen Zündquellen, einschließlich des Rauchens von Zigaretten, sollten ausreichend



## 1 Sicherheitshinweise

weit vom Installations-, Reparatur-, Demontage- und Entsorgungsort entfernt gehalten werden, wobei möglicherweise entzündbares Kältemittel in die unmittelbare Umgebung abgegeben werden kann. Vor Beginn der Arbeiten ist der Bereich um das Gerät herum zu untersuchen, um sicherzustellen, dass keine entflammbaren Gefahren oder Zündgefahren bestehen. Schilder mit der Aufschrift „Rauchen verboten“ müssen angebracht werden.

### 7) Belüfteter Bereich

Stellen Sie sicher, dass sich der Bereich im Freien befindet oder ausreichend belüftet ist, bevor Sie in das System eingreifen oder Heiarbeit ausfhren. Whrend des Zeitraums, in dem die Arbeiten ausgefhrt werden, muss ein gewisser Belftungsgrad gewhrleistet werden. Die Belftung sollte das freigesetzte Kltemittel sicher verteilen und vorzugsweise nach auen in die Atmosphre ausstoen.

### 8) berprfung der Klimaanlage

Wenn elektrische Komponenten ausgetauscht werden, mssen sie fr den Zweck geeignet sein und die korrekte Spezifikation aufweisen. Die Wartungs- und Servicerictlinien des Herstellers sind immer zu befolgen. Wenden Sie sich im Zweifelsfall fr Untersttzung an die technische Abteilung des Herstellers.

Die folgenden Prfungen sind bei Anlagen anzuwenden, die brennbare Kltemittel verwenden:

- Die Fllmenge entspricht der Gre des Raums, in dem die Kltemittel enthaltenden Teile installiert sind.

## 1 Sicherheitshinweise

- Die Lüftungsanlage und -auslässe funktionieren einwandfrei und sind nicht blockiert.
- Bei Verwendung eines indirekten Kühlkreislaufs ist der Sekundärkreislauf auf das Vorhandensein von Kältemittel zu überprüfen;
- Die Kennzeichnung am Gerät ist weiterhin sichtbar und lesbar. Unleserliche Kennzeichnungen und Schilder müssen ausgetauscht werden.
- Kühlrohre oder -komponenten sind an einer Stelle installiert, an denen es unwahrscheinlich ist, dass sie irgendwelchen Stoffen ausgesetzt sind, die kältemittelhaltige Komponenten korrodieren könnten. Ausgenommen sind Komponenten, die aus Materialien bestehen, die von Natur aus korrosionsbeständig sind oder die gegen eine solche Korrosion angemessen geschützt sind.

### 9) Überprüfung elektrischer Geräte

Reparaturen und Wartungsarbeiten an elektrischen Komponenten müssen erste Sicherheitsüberprüfungen und Bauteilprüfverfahren umfassen. Wenn ein Fehler vorliegt, der die Sicherheit beeinträchtigen könnte, darf an den Stromkreis keine elektrische Versorgung angeschlossen werden, bis der Fehler zufriedenstellend behoben ist. Wenn der Fehler nicht sofort behoben werden kann, der Betrieb jedoch fortgesetzt werden muss, ist eine angemessene vorübergehende Lösung zu verwenden. Dies ist dem Besitzer der Anlage mitzuteilen, damit alle Parteien davon unterrichtet werden.

### **Erste Sicherheitsüberprüfungen müssen Folgendes umfassen:**

- Die Kondensatoren sind entladen: Dies muss auf sichere Weise erfolgen, um Funkenbildung zu vermeiden.
- Während des Ladens, Wiederherstellens oder Spülens des Systems sind keine stromführenden elektrischen Komponenten und Verdrahtungen freigelegt.
- Eine Erdung ist dauerhaft vorhanden.

### **2.Reparaturen an versiegelten Komponenten**

1) Bei Reparaturen an versiegelten Komponenten müssen alle elektrischen Versorgungen von dem zu bearbeitenden Gerät getrennt werden, bevor Sie versiegelte Abdeckungen usw. entfernen. Wenn während des Wartungsvorgangs unbedingt eine Stromversorgung für das Gerät erforderlich ist, muss sich eine dauerhaft funktionierende Form der Leckerkennung an der kritischsten Stelle befinden, um vor einer möglicherweise gefährlichen Situation zu warnen.

2) Folgendes ist besonders zu beachten, um sicherzustellen, dass bei Arbeiten an elektrischen Komponenten das Gehäuse nicht so verändert wird, dass das Schutzniveau beeinträchtigt wird.

Dazu gehören Kabelschäden, zu viele Anschlüsse, nicht gemäß den Originalspezifikationen angefertigte Klemmen, Dichtungen, falsche Verschraubungen usw.

Stellen Sie sicher, dass das Gerät sicher montiert ist.

## 1 Sicherheitshinweise

Stellen Sie sicher, dass die Dichtungen oder Dichtungsmaterialien nicht so gealtert oder beschädigt sind, dass sie nicht mehr dafür sorgen, das Eindringen von brennbaren Atmosphären zu verhindern. Ersatzteile müssen den Spezifikationen des Herstellers entsprechen.



**Hinweis:** Die Verwendung von Silikondichtungsmittel kann die Wirksamkeit einiger Arten von Leckerkennungsgeräten beeinträchtigen. Eigensichere Komponenten müssen vor der Bearbeitung nicht isoliert werden.

### 3.Reparatur an eigensicheren Komponenten

Legen Sie keine dauerhaften induktiven oder kapazitiven Lasten an die Schaltung an, ohne sicherzustellen, dass diese die zulässige Spannung und den zulässigen Strom für das verwendete Gerät nicht überschreiten.

Eigensichere Komponenten sind die einzigen, an denen gearbeitet werden kann, während sie sich in einer entflammaren Atmosphäre befinden. Das Testgerät muss über die richtige Leistung verfügen.

Ersetzen Sie Komponenten nur durch vom Hersteller angegebene Teile. Andere Teile können dazu führen, dass Kältemittel in der Atmosphäre durch ein Leck entzündet wird.

### 4.Verkabelung

Stellen Sie sicher, dass die Verkabelung keinem Verschleiß, Korrosion, übermäßigem Druck, Vibrationen, scharfen Kanten oder anderen schädlichen Umwelteinflüssen ausgesetzt ist.

## 1 Sicherheitshinweise

Bei der Überprüfung sind auch die Auswirkungen von Alterung oder ständigen Vibrationen von Quellen wie Kompressoren oder Ventilatoren zu berücksichtigen.

### 5. Erkennung von brennbaren Kältemitteln

Unter keinen Umständen dürfen potentielle Zündquellen bei der Suche oder Erkennung von Kältemittellecks verwendet werden. Eine Halogenlampe (oder ein anderer Detektor mit offener Flamme) darf nicht verwendet werden.

### 6. Leckerkennungsmethoden

Die folgenden Leckerkennungsmethoden gelten für Systeme, die brennbare Kältemittel enthalten, als akzeptabel.

Elektronische Leckerkennungsgeräte müssen zum Erkennen brennbarer Kältemittel verwendet werden. Die Empfindlichkeit ist jedoch möglicherweise nicht ausreichend oder muss neu kalibriert werden. (Das Erkennungsgerät muss in einem kältemittelfreien Bereich kalibriert werden.) Stellen Sie sicher, dass das Leckerkennungsgerät keine potenzielle Zündquelle ist und für das verwendete Kältemittel geeignet ist. Das Leckerkennungsgerät muss auf einen Prozentsatz der LFL des Kältemittels eingestellt und auf das eingesetzte Kältemittel kalibriert werden und der entsprechende Gasanteil (maximal 25 %) wird bestätigt.

Leckerkennungsflüssigkeiten sind für die meisten Kältemittel geeignet. Die Verwendung von chlorhaltigen Reinigungsmitteln ist jedoch zu vermeiden, da das Chlor mit dem Kältemittel reagieren und die Kupferrohrleitungen korrodieren kann.

## 1 Sicherheitshinweise

Wenn ein Leck vermutet wird, müssen alle offenen Flammen entfernt/gelöscht werden. Wenn ein Leck des Kältemittels festgestellt wird, das gelötet werden muss, muss das gesamte Kältemittel aus dem System entfernt oder (durch Absperrventile) in einem vom Leck entfernten Teil des Systems isoliert werden. Sauerstofffreier Stickstoff muss dann sowohl vor als auch während des Lötvorgangs durch das System gespült werden.

### 7. Entfernung und Entleerung

Beim Eingriff in den Kältemittelkreislauf für Reparaturen oder für andere Zwecke sind herkömmliche Verfahren anzuwenden. Es ist jedoch wichtig, dass die besten Praktiken befolgt werden, da Entflammbarkeit hier eine Rolle spielt. Das folgende Verfahren ist einzuhalten:

- Kältemittel entfernen
- Den Kreislauf mit Inertgas spülen
- Entfernung
- Den Kreislauf nochmals mit Inertgas spülen
- Öffnen des Kreislaufs durch Schneiden oder Löten

Die Kältemittelfüllung muss in die korrekten Rückgewinnungsflaschen zurückgeführt werden. Das System muss mit OFN gespült werden, um das Gerät sicher zu machen. Dieser Vorgang muss möglicherweise mehrmals wiederholt werden. Druckluft oder Sauerstoff dürfen für diese Aufgabe nicht verwendet werden.

## 1 Sicherheitshinweise

Die Spülung muss erreicht werden, indem das Vakuum im System mit OFN unterbrochen und bis zum Erreichen des Arbeitsdrucks weiter gefüllt wird. Anschließend wird die Atmosphäre entlüftet und anschließend auf ein Vakuum abgesenkt. Dieser Vorgang muss wiederholt werden, bis sich kein Kältemittel mehr im System befindet. Wenn die endgültige OFN-Ladung verwendet wird, muss das System auf Atmosphärendruck entlüftet werden, damit Arbeiten durchgeführt werden können. Dieser Vorgang ist absolut notwendig, wenn Lötarbeiten an den Rohrleitungen durchgeführt werden sollen.

Stellen Sie sicher, dass sich der Auslass der Vakuumpumpe nicht in der Nähe von Zündquellen befindet und entsprechende Belüftung vorhanden ist.

### 8. Ladeverfahren

Zusätzlich zu herkömmlichen Ladeverfahren sind die folgenden Anforderungen zu beachten.

- Stellen Sie sicher, dass bei der Verwendung von Ladegeräten keine Kontamination verschiedener Kältemittel auftritt. Schläuche oder Leitungen müssen so kurz wie möglich sein, um die Menge an Kältemittel zu minimieren.
- Flaschen sind aufrecht zu halten.
- Stellen Sie sicher, dass das Kühlsystem geerdet ist, bevor Sie das System mit Kältemittel befüllen.
- Kennzeichnen Sie das System, wenn der Ladevorgang abgeschlossen ist (falls noch nicht geschehen).

## 1 Sicherheitshinweise

- Es ist äußerst sorgfältig darauf zu achten, dass das Kühlsystem nicht überfüllt wird.

Vor dem Aufladen des Systems muss es mit OFN einem Drucktest unterzogen werden. Das System muss nach Abschluss des Ladevorgangs, aber vor der Inbetriebnahme, auf Dichtheit geprüft werden. Vor dem Verlassen des Standortes muss eine Leckprüfung durchgeführt werden.

### 9. Außerbetriebnahme

Bevor Sie dieses Verfahren durchführen, ist es wichtig, dass der Techniker mit dem Gerät und allen Details genau vertraut ist. Es wird empfohlen, alle Kältemittel sicher zurückzugewinnen. Bevor die Aufgabe ausgeführt wird, muss eine Öl- und Kältemittelprobe genommen werden, falls vor der Wiederverwendung von aufgearbeitetem Kältemittel eine Analyse erforderlich ist. Es ist wichtig, dass vor Beginn der Arbeiten ein Stromanschluss zur Verfügung steht.

- 1) Machen Sie sich mit dem Gerät und seiner Bedienung vertraut.
- 2) Isolieren Sie das System elektrisch.
- 3) Bevor Sie mit dem Verfahren beginnen, stellen Sie sicher, dass:
  - Für den Umgang mit Kältemittelflaschen bei Bedarf entsprechende mechanische Handhabungsgeräte zur Verfügung stehen.
  - Die gesamte persönliche Schutzausrüstung ist vorhanden und wird korrekt verwendet;



## 1 Sicherheitshinweise

- Der Rückgewinnungsprozess wird jederzeit von einer Fachkraft beaufsichtigt;
  - Rückgewinnungsausrüstung und Flaschen entsprechen den entsprechenden Normen.
- 4) Wenn möglich, sollten Sie das Kältemittelsystem abpumpen.
  - 5) Wenn kein Vakuum möglich ist, erstellen Sie einen Verteiler, damit das Kältemittel aus verschiedenen Teilen des Systems entfernt werden kann.
  - 6) Stellen Sie sicher, dass sich die Flasche auf der Waage befindet, bevor die Rückgewinnung durchgeführt wird.
  - 7) Schalten Sie das Rückgewinnungsgerät ein und arbeiten Sie gemäß den Anweisungen des Herstellers.
  - 8) Überfüllen Sie die Flaschen nicht. (Nicht mehr als 80 % des Volumens bei Flüssigkeitsladung).
  - 9) Der maximale Arbeitsdruck der Flasche darf nicht überschritten werden, auch nicht vorübergehend.
  - 10) Wenn die Flaschen korrekt gefüllt und der Prozess abgeschlossen ist, stellen Sie sicher, dass die Flaschen und die Ausrüstung unverzüglich vom Standort entfernt werden und alle Absperrventile der Ausrüstung geschlossen sind.
  - 11) Wiedergewonnenes Kältemittel darf nicht in ein anderes Kühlsystem eingefüllt werden, es sei denn, es wurde gereinigt und geprüft.

### 10. Beschriftung

Das Gerät muss mit einem Etikett versehen sein, aus dem hervorgeht, dass es außer Betrieb genommen und das Kältemittel entfernt wurde. Das Etikett muss datiert und unterschrieben sein. Stellen Sie sicher, dass sich auf dem Gerät Etiketten befinden, die darauf hinweisen, dass das Gerät brennbares Kältemittel enthält.

### 11. Rückgewinnung

Beim Entfernen von Kältemittel aus einem System – entweder zur Wartung oder Außerbetriebnahme – wird empfohlen, das gesamte Kältemittel sicher zu entfernen.

Stellen Sie beim Umfüllen von Kältemittel in Flaschen sicher, dass nur geeignete Kältemittelrückgewinnungsflaschen verwendet werden. Stellen Sie sicher, dass die richtige Anzahl an Flaschen vorhanden ist, um das gesamte Kältemittel aus dem System aufzunehmen. Alle zu verwendenden Flaschen müssen für das rückgewonnene Kältemittel bestimmt und für dieses Kältemittel gekennzeichnet sein (d. h. spezielle Flaschen für die Rückgewinnung von Kältemittel). Die Flaschen müssen mit einem Überdruckventil und zugehörigen Absperrventilen in einwandfreiem Zustand ausgestattet sein. Leere Rückgewinnungsflaschen werden evakuiert und wenn möglich gekühlt, bevor die Rückgewinnung erfolgt.

Die Rückgewinnungsausrüstung muss in einem einwandfreien Zustand sein und Anweisungen für das vorhandene Gerät enthalten. Sie muss für die Rückgewinnung brennbarer Kältemittel geeignet sein. Darüber hinaus müssen kalibrierte Waagen verfügbar

## 1 Sicherheitshinweise

und in einwandfreiem Zustand sein. Die Schläuche müssen mit leckfreien Trennkupplungen versehen sein und sich in gutem Zustand befinden. Vergewissern Sie sich vor dem Einsatz des Rückgewinnungsgeräts, dass es in einwandfreiem Zustand ist, ordnungsgemäß gewartet wurde und dass alle zugehörigen elektrischen Komponenten versiegelt sind, um im Falle einer Kältemittelfreisetzung eine Entzündung zu verhindern. Wenden Sie sich im Zweifelsfall an den Hersteller.

Das rückgewonnene Kältemittel muss in der richtigen Rückgewinnungsflasche an den Kältemittellieferanten zurückgegeben und es muss ein entsprechender Entsorgungsnachweis ausgestellt werden. Mischen Sie kein Kältemittel in Rückgewinnungsgeräten und insbesondere nicht in Flaschen.

Wenn Kompressoren oder Kompressoröle entfernt werden sollen, stellen Sie sicher, dass sie auf ein akzeptables Niveau evakuiert wurden, um sicherzustellen, dass kein brennbares Kältemittel im Schmiermittel verbleibt. Der Evakuierungsprozess muss vor der Rückgabe des Kompressors an den Lieferanten durchgeführt werden. Zur Beschleunigung dieses Vorgangs darf nur eine elektrische Beheizung des Kompressorgehäuses eingesetzt werden. Wenn Öl aus einem System abgelassen wird, muss dieser Vorgang sicher durchgeführt werden.

### Sicherungsdaten des Geräts

Typ: 5ET oder SMT

Spannung: 250 V

Stromstärke: 3,15 A

## 2 Merkmale und Komponenten

### 2.1 Eigenschaften

Brandneues Design, kompakte Struktur, glatte Linien, einfache und großzügige Form.

Kühlung, Entfeuchtung, Luftzufuhr und kontinuierliche Entwässerung

Außenanschluss ist hoch, um die Montage zu erleichtern und den reibungslosen Wärmefluss zu erhalten.

LED-Display im Bedienfeld, schön und modern, mit hochwertiger Fernbedienung. Das Gerät verfügt über eine benutzerfreundliche Fernbedienung.

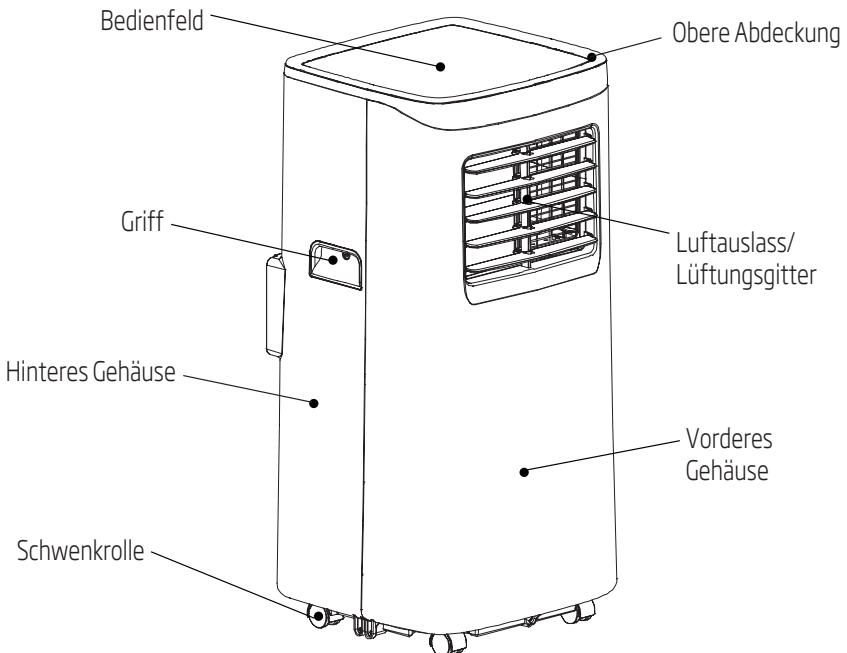
Luftfilterung,

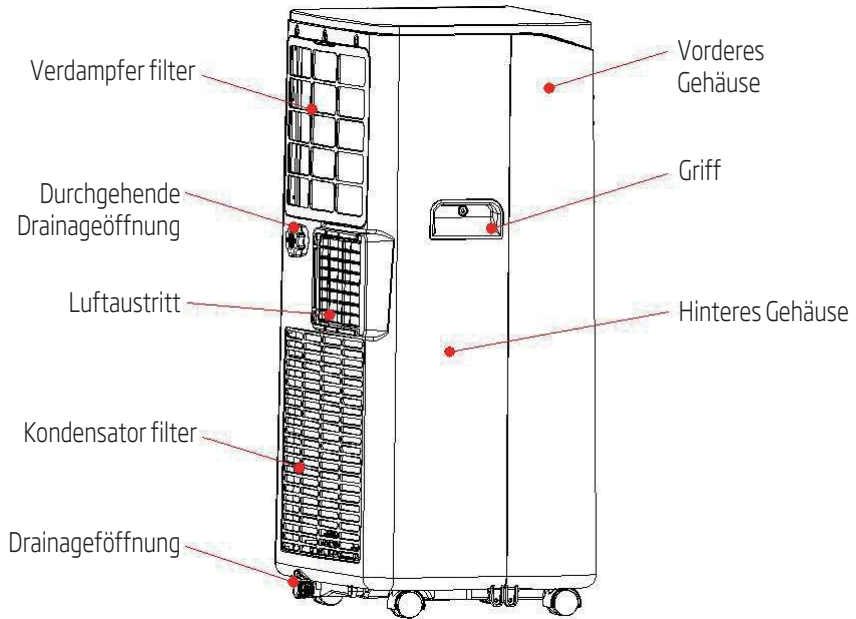
Zeitschaltfunktion.

Schutzfunktion des automatischen Neustarts des Kompressors nach drei Minuten, sowie eine Vielzahl von anderen Schutzfunktionen.

Die maximale Betriebstemperatur für das Klimagerät Kühlen: 35/24 °C; Temperaturbereich: 7 - 35 °C.

### 2.2 Komponenten

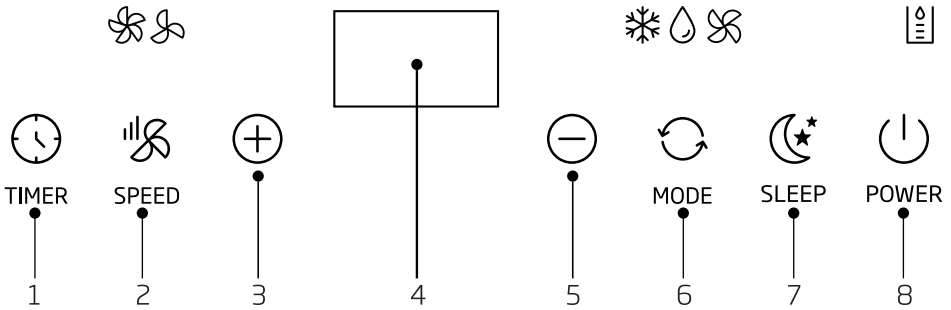




## 3 Bedienung

### 3.1 Bedienungshinweise für das Bedienfeld

#### Bedienfeld



1. Timer-Taste
2. Taste zur Auswahl der Windgeschwindigkeit
3. Aufwärtstaste
4. Display
5. Abwärtstaste
6. Modustaste
7. Schlafmodustaste
8. Ein/Aus-Taste

1. Wenn das Gerät zum ersten Mal eingeschaltet wird, ertönt ein Einschaltton und das Gerät begibt sich in den Standby-Modus.
2. **Power (Ein/Aus-Taste):** Drücken Sie die Taste, um das Gerät ein- und auszuschalten. Wenn eingeschaltet, drücken Sie die Taste, um das Gerät auszuschalten; wenn ausgeschaltet, drücken Sie die Taste, um das Gerät einzuschalten.
3. **Mode (Moduswahlstaste):** Wenn eingeschaltet, drücken Sie die Taste, um zwischen cooling mode (Kühlmodus) → dehumidifying mode (Entfeuchtungsmodus) → und fan mode (Lüftermodus) umzuschalten.
4. **+ und - (Aufwärts- und Abwärtstaste):** Drücken Sie die beiden Tasten, um die Einstelltemperatur oder die Einstellzeit zu ändern, und gehen Sie wie folgt vor:  
Während der Temperatureinstellung drücken Sie die Aufwärts- oder Abwärtstaste, um die gewünschte Temperatur auszuwählen (nicht verfügbar im fan oder dehumidifying mode (Lüfter- oder Entfeuchtungsmodus)).  
Während der Zeiteinstellung drücken Sie die Aufwärts- oder Abwärtstaste, um die gewünschte Zeit einzustellen.

### 5. **Speed (Windgeschwindigkeit):**

Im cooling und fan mode (Kühl- und Gebläsemodus) können Sie mit dieser Taste zwischen hoher und niedriger Windgeschwindigkeit wählen. Unter bestimmten Bedingungen kann es jedoch vorkommen, dass die eingestellte Windgeschwindigkeit nicht eingehalten wird, da sie durch den Kälteschutz begrenzt wird.

Im dehumidifying mode (Entfeuchtungsmodus) ist das Drücken der Taste ungültig und der Ventilator wählt zwangsweise den Betrieb mit niedriger Windgeschwindigkeit.

### 6. **Timer:**

Wenn das Gerät eingeschaltet ist, drücken Sie die Taste, um die Zeitsteuerung zu beenden; wenn das Gerät ausgeschaltet ist, drücken Sie die Taste, um die Zeitsteuerung zu aktivieren.

Drücken Sie die Taste, wenn das Timer-Symbol blinkt und drücken Sie die Aufwärts- und Abwärtstasten, um den gewünschten Timer-Wert auszuwählen.

Die Zeit kann von 1 bis 24 Stunden eingestellt werden und der Wert wird um eine Stunde nach oben oder unten angepasst.

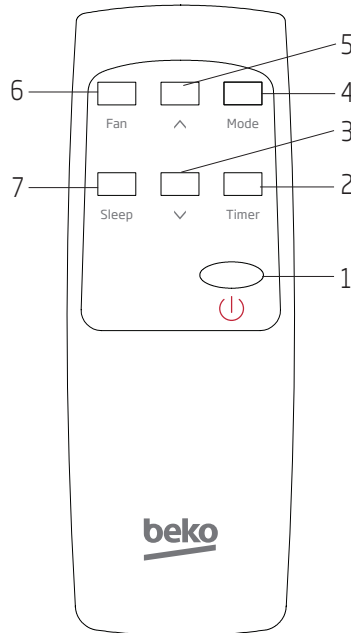
### 7. **Sleep (Schlafmodus):**

Drücken Sie im cooling mode (Kühlmodus) die Aufwärts- und Lüftertaste, um den sleep mode (Schlafmodus) zu aktivieren, damit arbeitet das Gerät im energiesparenden und leisen Modus.




## 3 Bedienung

### 3.2 Fernbedienung

Das Bedienfeld der Fernbedienung ist wie folgt aufgebaut:



Die Anleitung zur Tastenbedienung der hochwertigen Fernbedienung lautet wie folgt:

1. Ein/Aus: Drücken Sie , um das Gerät ein- oder auszuschalten.
2. Timer: Drücken Sie die Timer-Taste, um die Zeit einzustellen.
3. Abwärts: Drücken Sie , um Temperatur und Zeit zu verringern.
4. Mode (Modus): Drücken Sie Mode (Modus), um zwischen cooling, fan, dehumidifying mode (Kühl-, Lüfter- und Entfeuchtungsmodus) umzuschalten.
5. Aufwärts: Drücken Sie , um Temperatur und Zeit zu erhöhen.
6. Fan (Lüfter): Drücken Sie die Taste Fan (Lüfter), um zwischen hoher und niedriger Windgeschwindigkeit zu wählen.
7. Sleep (Schlafmodus): Drücken Sie die Taste Sleep (Schlafmodus), um den Schlafmodus zu aktivieren.




## 4 Schutzfunktionen

### 1. Frostschutz

Wenn im Kühl-, Entfeuchtungs- oder Energiesparmodus die Temperatur der Abluftleitung zu niedrig ist, geht das Gerät automatisch in den Schutzstatus über; wenn die Temperatur der Abluftleitung auf eine bestimmte Temperatur ansteigt, kann es automatisch zum Normalbetrieb zurückkehren.

### 2. Überlaufschutz

Wenn das Wasser im Tank den Warnpegel überschreitet, gibt das Gerät automatisch einen Alarm aus, und die Anzeige  blinkt. Zu diesem Zeitpunkt müssen Sie die Ablaufleitung, die das Gerät oder den Wasserauslass mit dem Abwasserkanal oder einem anderen Abfluss verbindet, verschieben, um das Wasser zu entleeren (Details siehe *Entleerung* am Ende dieses Kapitels). Nachdem das Wasser entleert wurde, kehrt das Gerät automatisch in den ursprünglichen Zustand zurück.

### 3. Kompressorschutz

Um die Lebensdauer des Kompressors zu erhöhen, verfügt er über eine Schutzfunktion mit 3-minütiger Verzögerung nach dem Ausschalten.

## 5 Installation und Einstellung

### 5.1 Aufbau



**Warnung:** Bevor Sie das mobile Klimagerät in Betrieb nehmen, lassen Sie es mindestens zwei Stunden lang aufrecht stehen.

Das Klimagerät kann leicht im Raum bewegt werden. Achten Sie beim Umsetzen darauf, dass das Klimagerät aufrecht steht, und stellen Sie es auf eine ebene Fläche. Installieren und verwenden Sie das Klimagerät nicht in Badezimmern oder anderen feuchten Umgebungen.

1. Installieren Sie die Wärmeableitung, wie in Abb. 1 dargestellt.

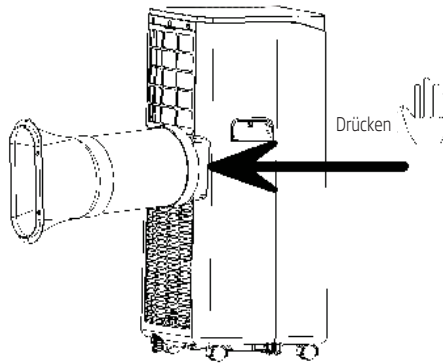


Abb. 1

- 1) Nehmen Sie den Außenanschluss und die Abluftleitung heraus und entfernen Sie die Plastikbeutel;
  - 2) Führen Sie die Wärmeableitung (das Ende der Abluftverbindung) in den Lüftungsschlitz der Rückwand ein (nach links schieben) und schließen Sie die Montage ab, wie in Abb. 1 dargestellt.
2. Komponenten der Fensterdichtungsplatte installieren
- 1) Öffnen Sie das Fenster zur Hälfte und montieren Sie die Fensterdichtungsplatte am Fenster (wie in Abb. 2 und Abb. 3 gezeigt). Die Komponenten können in horizontaler und vertikaler Richtung montiert werden.
  - 2) Ziehen Sie verschiedene Komponenten der Fensterdichtungsplatte auf, stellen Sie den Öffnungsabstand ein, um beide Enden der Baugruppe in Kontakt mit dem Fensterrahmen zu bringen und befestigen Sie die Komponenten der Baugruppe.

## 5 Installation und Einstellung

### Hinweis:



1. Das flache Ende der Abluftverbindungen muss einrasten.
2. Das Rohr darf weder verzogen sein noch eine starke Verdrehung (größer als 45°) aufweisen. Achten Sie darauf, dass die Belüftung der Abluftleitung nicht blockiert wird.

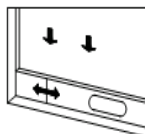


Abb. 2

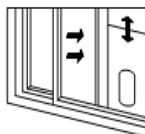


Abb. 3

### 3. Gerät installieren

- 1) Stellen Sie das Gerät mit installierter Wärmeableitung und Armaturen vor das Fenster, wobei der Abstand zwischen dem Gerät und Wänden oder anderen Gegenständen mindestens 50 cm betragen muss (wie in Abb. 4 dargestellt).

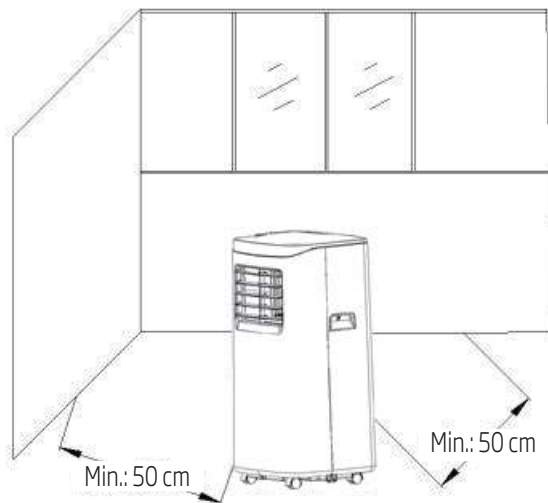


Abb. 4

- 2) Verlängern Sie die Abluftleitung und rasten Sie das flache Ende der Abluftleitungsstutzen im Loch der Fensterdichtungsplatte ein (wie in Abb. 5 und Abb. 6 gezeigt).

## 5 Installation und Einstellung

### Hinweis:



1. Das flache Ende der Abluftverbindungen muss einrasten.
2. Das Rohr darf weder verzogen sein noch eine starke Verdrehung (größer als 45°) aufweisen. Achten Sie darauf, dass die Belüftung der Abluftleitung nicht blockiert wird.

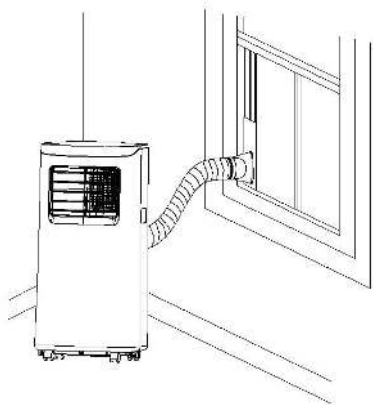


Abb. 5

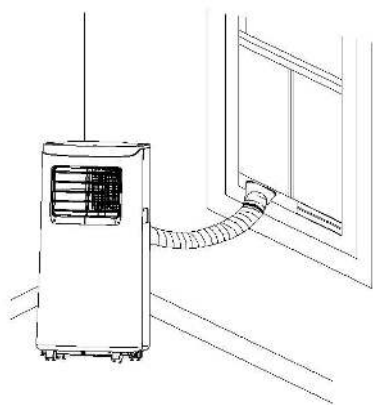


Abb. 6

### Wichtiger Hinweis:



Die Länge der Abluftleitung muss 280 - 1.500 mm betragen und basiert auf den Spezifikationen des Klimageräts. Verwenden Sie keine Verlängerungen und ersetzen Sie die Leitung nicht durch andere Schläuche, da dies zu einer Fehlfunktion führen kann. Der Abluftstutzen darf nicht blockiert werden, da es sonst zu einer Überhitzung kommen kann.

## 6 Entleerung

Dieses Gerät verfügt über zwei Entleerungsmethoden: manuelle Entleerung und kontinuierliche Entleerung.

1. Manuelle Entleerung:

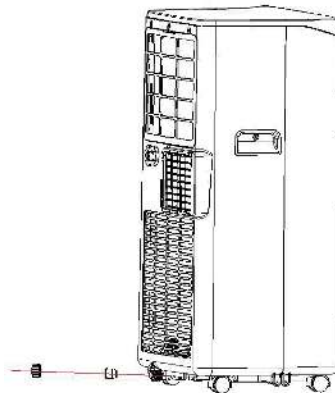
1) Wenn das Gerät stoppt, nachdem der Wasserbehälter voll ist, schalten Sie es aus und ziehen Sie den Netzstecker.



**Hinweis:** Bewegen Sie das Gerät aufmerksam, um das Wasser im Wasserbehälter an der Unterseite des Gehäuses nicht zu verschütten.

2) Stellen Sie den Wasserbehälter unterhalb des seitlichen Wasserauslasses hinter das Gehäuse.

3) Schrauben Sie den Drainageverschluss ab und ziehen Sie den Stopfen ab, damit fließt das Wasser dann automatisch in den Wasserbehälter.



**Hinweis:**

1. Bewahren Sie den Drainageverschluss und den Stopfen gut auf.

2. Während des Entleerens kann das Gehäuse leicht nach hinten gekippt werden.

3. Wenn der Wasserbehälter nicht das gesamte Wasser aufnehmen kann, schließen Sie den Wasserauslass mit dem Stopfen, bevor der Wasserbehälter voll ist, damit kein Wasser auf den Boden oder den Teppich fließt.

4. Wenn das Wasser ausgetreten ist, setzen Sie den Stopfen zurück und ziehen Sie den Drainageverschluss fest an.



## 6 Entleerung

2. Kontinuierliche Drainage, wie in der Abbildung gezeigt:

- 1) Schrauben Sie den Drainageverschluss ab, und ziehen Sie den Stopfen heraus.
- 2) Setzen Sie die Drainageleitung im Wasserablauf ein.
- 3) Schließen Sie die Drainageleitung am Wassertank an.

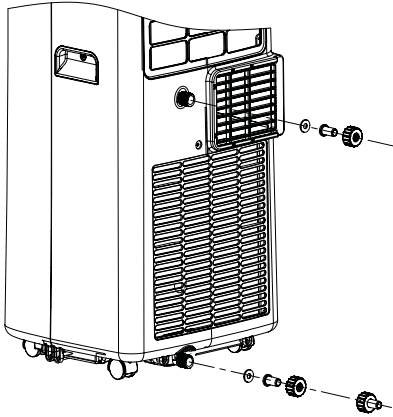


Abb. 1

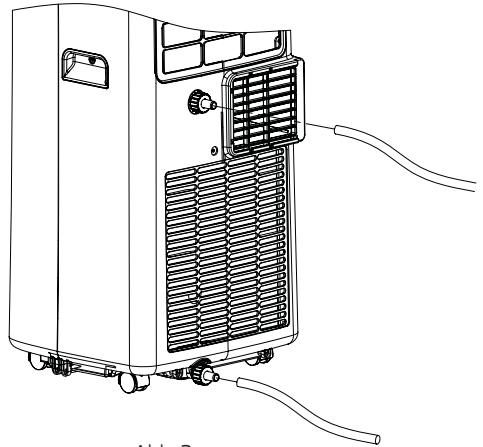


Abb. 2

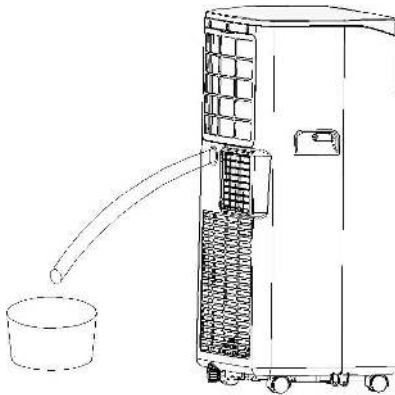


Abb. 3

## 7 Wartung und Instandhaltung

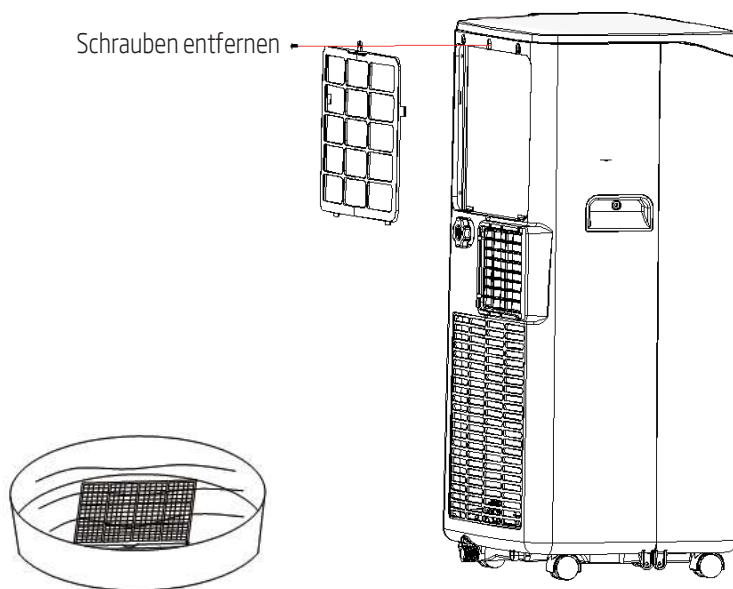
**Reinigung:** Schalten Sie das Gerät vor Reinigung und Wartung aus und ziehen Sie den Netzstecker.

### 7.1 Gerätegehäuse reinigen

Reinigen Sie die Oberfläche des Geräts mit einem feuchten, weichen Tuch. Verwenden Sie keine Chemikalien wie Benzol, Alkohol, Benzin usw., da ansonsten die Oberfläche des Klimageräts oder sogar das gesamte Gerät beschädigt wird.

### 7.2 Filtersieb reinigen

Wenn das Filtersieb verstopft ist und die Leistungsfähigkeit des Klimageräts beeinträchtigt wird, muss das Filtersieb einmal alle zwei Wochen gereinigt werden.



### 7.3 Oberen Rahmen des Filtersiebs reinigen

1. Lösen Sie mit einem Schraubendreher die Schraube, mit der das Verdampferfiltersieb und die Rückwand befestigt sind und nehmen Sie das Filtersieb heraus.
2. Legen Sie das Sieb in warmes Wasser mit neutralem Reinigungsmittel (ca. 40 °C) und trocknen Sie es nach dem Abspülen im Schatten.

## 8 Gerät lagern

1. Schrauben Sie den Drainageverschluss ab, ziehen Sie den Stopfen ab und leiten Sie das Wasser im Tank in andere Wasserbehälter oder kippen Sie das Gehäuse direkt, um das Wasser in andere Behälter zu leiten.
2. Schalten Sie das Gerät auf Lüfter mit schwachem Wind, bis die Ablaufleitung trocken ist, um das Innere des Gehäuses trocken zu halten und Schimmelbildung zu vermeiden.
3. Schalten Sie das Gerät aus, ziehen Sie den Netzstecker und wickeln Sie das Netzkabel um die Kabelaufwicklung; setzen Sie den Stopfen ein und installieren Sie den Drainageverschluss.
4. Entfernen Sie die Abluftleitung und bewahren Sie sie ordnungsgemäß auf.
5. Decken Sie das Klimagerät mit einer Kunststoffhülle ab. Stellen Sie das Klimagerät an einem trockenen Ort außerhalb der Reichweite von Kindern auf und ergreifen Sie Maßnahmen zur Staubkontrolle.
6. Entfernen Sie die Batterien der Fernbedienung und bewahren Sie sie ordnungsgemäß auf.




**Hinweis:** Achten Sie darauf, dass das Gerät an einem trockenen Ort aufbewahrt wird und bewahren Sie alle Teile ordnungsgemäß auf.



## 9 Fehlerbehebung

Reparieren oder demontieren Sie das Klimagerät nicht selbst. Eine unqualifizierte Reparatur führt zum Erlöschen der Garantie und kann zu Schäden oder Verletzungen führen.

Probleme	Ursachen	Lösungen
Das Klimagerät funktioniert nicht.	Kein Strom.	Schalten Sie das Gerät ein, nachdem Sie es an einer Steckdose mit Strom angeschlossen haben.
	Die Anzeige für Überlauf  leuchtet.	Entleeren Sie das Wasser.
	Die Umgebungstemperatur ist zu niedrig oder zu hoch	Wir empfehlen, das Gerät bei einer Temperatur von 7 - 35 °C zu verwenden.
	Im Kühlbetrieb ist die Raumtemperatur niedriger als die Soll-Temperatur;	Ändern Sie die Soll-Temperatur.
	Im dehumidification mode (Entfeuchtungsmodus) ist die Umgebungstemperatur niedrig.	Das Gerät steht in einem Raum mit einer Umgebungstemperatur von mehr als 17 °C.
Die Kühlwirkung ist nicht gut	Direkte Sonneneinstrahlung.	Ziehen Sie den Vorhang zu.
	Türen oder Fenster sind offen; es gibt viele Personen im Raum; im Kühlbetrieb gibt es andere Wärmequellen.	Schließen Sie Türen und Fenster und sorgen Sie für ein neues Klimagerät.
	Das Filtersieb ist verschmutzt.	Reinigen oder ersetzen Sie das Filtersieb.
	Luftinlass oder Luftauslass blockiert.	Entfernen Sie die Blockierung.
Starkes Geräusch	Das Klimagerät ist nicht eben aufgestellt.	Stellen Sie das Klimagerät auf eine ebene und harte Fläche (um Geräusche zu verringern).
Der Kompressor arbeitet nicht.	Der Überhitzungsschutz startet.	Warten Sie 3 Minuten, bis die Temperatur gesunken ist, und starten Sie dann das Gerät neu.

## 9 Fehlerbehebung

Probleme	Ursachen	Lösungen
Die Fernbedienung funktioniert nicht.	Der Abstand zwischen Gerät und Fernbedienung ist zu groß.	Gehen Sie mit der Fernbedienung an das Klimagerät heran und richten Sie die Fernbedienung direkt auf den IR-Empfänger aus.
	Die Fernbedienung ist nicht auf den IR-Empfänger ausgerichtet.	
	Die Batterien sind leer.	Tauschen Sie die Batterien aus.
Anzeige „E1“.	Der Raumtemperatursensor ist abnormal.	Überprüfen Sie den Raumtemperatursensor und die zugehörigen Schaltkreise.
Anzeige „E2“.	Der Leitungstemperatursensor ist nicht in Ordnung.	Überprüfen Sie den Leitungstemperatursensor und den zugehörigen Schaltkreis.

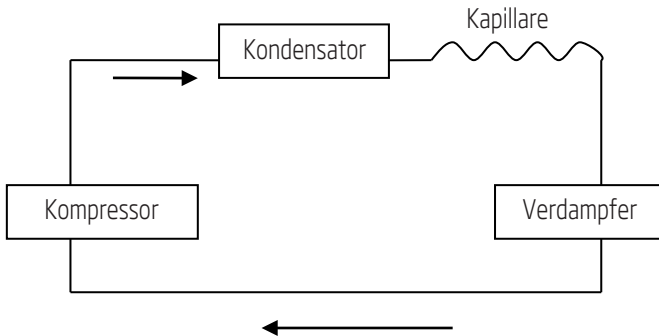


**Hinweis:** Wenn Probleme auftreten, die nicht in der Tabelle aufgeführt sind, oder die empfohlenen Lösungen nicht funktionieren, wenden Sie sich bitte an einen professionellen Kundendienst.

## 10 Anhang

### Schematisches Diagramm der Klimatisierung

(Entnehmen Sie die technischen Daten des Geräts dem Typenschild auf dem Produkt)



Entsorgung: Entsorgen Sie das stillgelegte Gerät nicht zusammen mit dem Hausmüll. Solche Abfallstoffe sind getrennt einer anderen speziellen Verwendung zuzuführen.



Dieses Produkt entspricht der EU-Richtlinie WEEE (2012/19/EU). Dieses Produkt trägt ein Klassifizierungssymbol für Elektro- und Elektronik-Altgeräte (WEEE).

Dieses Symbol zeigt an, dass dieses Gerät am Ende seiner Einsatzzeit nicht mit anderem Hausmüll entsorgt werden darf. Altgeräte müssen an offizielle Sammelstellen zum Recycling elektrischer und elektronischer Geräte abgegeben werden. Nähere Angaben zu diesen Sammelstellen erhalten Sie von Ihrer Stadtverwaltung oder dem Händler, bei dem Sie das Gerät erworben haben. Der Beitrag jedes Haushalts zum Umweltschutz ist wichtig. Eine angemessene Entsorgung von Altgeräten hilft bei der Verhinderung negativer Auswirkungen auf Umwelt und menschliche Gesundheit

# 11 Installationsanleitungen

## 11.1 F-Gas-Anweisung

Dieses Produkt enthält fluorierte Treibhausgase.

Die fluorierten Treibhausgase sind in hermetisch verschlossenem Equipment enthalten.

Installationen, Dienstleistungen, Wartungen, Reparaturen, Überprüfungen auf Leckstellen oder das Stilllegen von Equipment und das Produktrecycling, sollten von natürlichen Personen, die entsprechenden Zertifizierungen erworben haben, durchgeführt werden.

Wenn das System über eine Leckageerkennung verfügt, sollten Leckagekontrollen mindestens alle 12 Monate durchgeführt werden, um sicherzustellen, dass das System ordnungsgemäß arbeitet.

Wenn Leckagekontrollen am Produkt durchgeführt werden, sollte der Inspektionszyklus angegeben werden, Festlegung und Datenspeicherung der Leckagekontrollen.



**Hinweis:** Für hermetisch versiegelte Geräte, mobile Klimageräte, Fensterklimageräte und Luftentfeuchter, wenn das CO<sub>2</sub>-Äquivalent der fluorierten Treibhausgase weniger als 10 Tonnen beträgt, sollten keine Leckagekontrollen durchgeführt werden.

## 12 Technische Daten

Beko-Modellbezeichnung	BS207C
Marke	Beko
Kühlmittel	R290
Gesamtmenge an Kältemittel (g)	130
Klimaklasse	T1
Heizungsart	-
Regelungstyp	Fernbedienung
Kühlleistung (Btu/h)	6500
Kühlleistung (W)	1905
Energieeffizienz Kühlen (W/W)	2,6
Energiepegel Kühlung	A
Leistungsaufnahme Kühlung (W)	732
Spannung/Frequenz (V/Hz)	220 - 240 V~/50 Hz
Betriebsstrom Kühlung (A)	3,2
Geräuschpegel (dBA) (Schalleistung)	65/-/-
Durchflussmenge (m <sup>3</sup> /h)	300
Feuchtigkeitsentfernung (lt/h)	0,8
Betriebstemperaturbereich bei Kühlung (°C)	16 - 35
Abmessungen (B x H x T) mm	305 × 678 × 328
Nettogewicht (kg)	19

1. Die Spezifikationen sind Standardwerte, die auf der Grundlage der Nennbetriebsbedingungen berechnet werden. Sie variieren in den unterschiedlichen Betriebsbedingungen.
2. Unser Unternehmen steht für schnelle technische Verbesserungen. Es gibt keine Vorankündigung für Änderungen der technischen Daten. Bitte lesen Sie das Typenschild auf dem Klimagerät.
3. Der Nennwert wird unter 35/24 (Ein.)/35/24 (Aus) geprüft.





