

# Local Air-conditioner

## User Manual



BP109C | BP112C | BP112H  
BP109AC | BP109AH | BP113H  
**EN | FR | IT | NL | DE | PT | HR**

06M-8891923200-1121-05

**beko**

# CONTENTS

---

ENGLISH	4-56
FRANÇAIS	58-113
ITALIANO	115-169
NEDERLANDS	171-225
DEUTSCH	227-281
PORTUGUÊS	283-338
HRVATSKI	340-392

# Please read this user manual first

Dear Customer,

Thank you for preferring a Beko product. We hope that you get the best results from your product which has been manufactured with high quality and state-of-the-art technology. Therefore, please read this entire user manual and all other accompanying documents carefully before using the product and keep it as a reference for future use. If you handover the product to someone else, give the user manual as well. Follow all warnings and information in the user manual.

## Meanings of the symbols


Following symbols are used in the various section of this manual:

	Important information or useful hints about usage.
--	--

	Warning for hazardous situations with regard to life and property.
--	--


	Warning to actions that must never perform.
--	---


	Warning for electric shock.
---	-----------------------------

	Warning for hot surfaces.
--	---------------------------

	Do not cover it.
--	------------------

	This symbol shows that the operation manual should be read carefully.
---	---


	This symbol shows that a service personnel should be handling this equipment with reference to the installation manual.
---	---

	This symbol shows that this appliance used a flammable refrigerant. If the refrigerant is leaked and exposed to an external ignition source, there is a risk of fire.
--	---



This product has been produced in environmentally friendly, modern facilities

# Contents

<b>1 Safety awareness</b>	<b>6</b>
<b>2 Name of parts</b>	<b>30</b>
<b>3 Accessories</b>	<b>31</b>
<b>4 Appearance and function of control panel</b>	<b>32</b>
4.1 Cooling only model (non-reversible).....	32
4.2 Cooling & Heat pump model (reversible) .....	33
<b>5 Appearance and function of remote control</b>	<b>34</b>
<b>6 Operation introduction</b>	<b>36</b>
6.1 Before using .....	36
6.2 Cooling operation .....	37
6.3 Dehumidifying operation .....	37
6.4 Fan operation .....	37
6.5 Heating operation (this function is not available for a cold- single unit) .....	37
6.6 Timer operation .....	37
6.7 Auto swing .....	38
6.8 Sleep mode.....	38
6.9 Water drainage.....	38
6.10 Wireless function  .....	39
6.11 Zone follow function .....	39
<b>7 Installation explanations</b>	<b>40</b>
7.1 Installation explanations: .....	40
7.2 Introduction to exhaust hose installation.....	41
7.3 Universal caulking kit accessory for mobile air conditioner (optional).....	43
7.4 Use the Hepa 13 filter (only for BP113H model).....	46
7.5 Water full alarm .....	47

# Contents

---

<b>8 Maintenance explanations</b>	<b>48</b>
8.1 Clean the air filter .....	48
8.2 Clean the air-conditioner surface .....	49
<b>9 Maintenance</b>	<b>50</b>
<b>10 Troubleshooting</b>	<b>51</b>
<b>11 European disposal guideline</b>	<b>52</b>
<b>12 Installation instructions</b>	<b>53</b>
12.1 F-Gas instruction .....	53
<b>13 Specifications</b>	<b>54</b>

---

# 1 Safety awareness

## Very important

Please do not install or use your Local air conditioner before you have carefully read this manual. Please keep this instruction manual for an eventual product warranty and for future reference.

## Warning

Do not use means to accelerate the defrosting process or to clean, other than those recommended by the manufacturer.

The appliance shall be stored in a room without continuously operating ignition sources (for example: open flames, an operating gas appliance or an operating electric heater).

Do not pierce or burn.

Be aware the refrigerants may not contain an odour.

Appliance shall be installed, operated and stored in a room with a floor area larger than X m<sup>2</sup>.

Model	X (m <sup>2</sup> )
9000Btu/h, 10000Btu/h, 12000Btu/h, 13000Btu/h	12

### Warning (for R290)

Specific information regarding appliances with R290 refrigerant gas.

- Thoroughly read all of the warnings.
- When defrosting and cleaning the appliance, do not use any tools other than those recommended by the manufacturing company.
- The appliance must be placed in an area without any continuously sources of ignition (for example: open flames, gas or electrical appliances in operation).
- Do not puncture and do not burn.
- This appliance contains Y g (see rating label back of unit) of R290 refrigerant gas.
- R290 is a refrigerant gas that complies with the European directives on the environment. Do not puncture any part of the refrigerant circuit.
- If the appliance is installed, operated or stored in an unventilated area, the room must be designed to prevent to the accumulation of refrigerant leaks resulting in a risk of fire or explosion due to ignition of the refrigerant caused by electric heaters, stoves, or other sources of ignition.
- The appliance must be stored in such a way as to prevent mechanical failure.
- Individuals who operate or work on the refrigerant circuit must have the appropriate certification issued by an accredited organization that ensures competence in handling refrigerants according to a specific evaluation recognized by associations in the industry.

## 1 Safety awareness

- Repairs must be performed based on the recommendation from the manufacturing company. Maintenance and repairs that require the assistance of other qualified personnel must be performed under the supervision of an individual specified in the use of flammable refrigerants.

### General safety instruction

1. The appliance is for indoor use only.
2. Do not use the unit on a socket under repairs or not installed properly.
3. Do not use the unit, follow these precautions:
  - A: Near to source of fire.
  - B: An area where oil is likely to splash.
  - C: An area exposed to direct sunlight.
  - D: An area where water is likely to splash.
  - E: Near a bath, a laundry, a shower or a swimming pool.
4. Never insert your fingers, rods into the air outlet. Take special care to warn children of these dangers.
5. Keep the unit upward while transport and storage, for the compressor locates properly.
6. Before cleaning the air-conditioner, always turn off or disconnect the power supply.
7. When moving the air-conditioner, always turn off and disconnect the power supply, and move it slowly.



## 1 Safety awareness

8. To avoid the possibility of fire disaster, the air-conditioner shall not be covered.
9. All the air-conditioner sockets must comply with the local electric safety requirements. If necessary, please check it for the requirements.
10. Children should be supervised to ensure that they do not play with the appliance.
11. If the supply cord is damaged, it must be replaced by the manufacturer, its service agent or similarly qualified persons in order to avoid a hazard.
12. This appliance can be used by children aged from 8 years and above and persons with reduced physical, sensory or mental capabilities or lack of experience and knowledge if they have been given supervision or instruction concerning use of the appliance in a safe way and understand the hazards involved. Children shall not play with the appliance. Cleaning and user maintenance shall not be made by children without supervision.
13. The appliance shall be installed in accordance with national wiring regulations.
14. Details of type and rating of fuses: T, 250V AC, 2A or higher.
15. Contact authorized service technician for repair or maintenance of this unit.
16. Do not pull, deform, or modify the power supply cord, or immerse it in water. Pulling or misuse of the power supply cord can result in damage to the unit and cause electrical shock.
17. Compliance with national gas regulations shall be observed.

## 1 Safety awareness

18. Keep ventilation openings clear of obstruction.
19. Any person who is involved with working on or breaking into a refrigerant circuit should hold a current valid certificate from an industry-accredited assessment authority, which authorizes their competence to handle refrigerants safely in accordance with an industry recognized assessment specification.
20. Servicing shall only be performed as recommended by the equipment manufacturer. Maintenance and repair requiring the assistance of other skilled personnel shall be carried out under the supervision of the person competent in the use of flammable refrigerants.
21. Do not operate or stop the unit by inserting or pulling out the power plug, it may cause electric shock or fire due to heat generation.
22. Unplug the unit if strange sounds, smell, or smoke comes from it.
23. This appliance is not intended for use by persons (including children) with reduced physical, sensory or mental capabilities, or lack of experience and knowledge, unless they have been given supervision or instruction concerning use of the appliance by a person responsible for their safety.
24. If the supply cord is damaged, it must be replaced by the manufacturer or its agent or similarly qualified person in order to avoid hazard.
25. The appliance shall state the insulation of a residual current device (RCD) having rated residual operating current not exceeding 30mA.

## 1 Safety awareness

26. This appliance is intended to be used in household and similar applications such as

- Staff kitchen areas in shops, offices and other working environments;
- farm houses;
- by clients in hotels, motels and other residential type environments;
- bed and breakfast type environments;

The appliance shall state the insulation of a residual current device (RCD) having rated residual operating current not exceeding 30mA.

27. Impedance declaration

These appliances can be connected only to a supply with system impedance no more than  $0.367\Omega$ . In case necessary, please consult your supply authority for system impedance information.

## 1 Safety awareness



### Note:

- If any parts damage, please contact the dealer or a designated repair shop;
- In case of any damage, please turn off the air switch, disconnect the power supply, and contact the dealer or a designated repair shop;
- In any case, the power cord shall be firmly grounded.
- To avoid the possibility of danger, if power cord is damaged, please turn off the air switch and disconnect the power supply. It must be replaced from the dealer or a designated repair shop.



## Warnings (for using R290 refrigerant only)

### 1. General instructions

#### 1.1 Checks to the area

Prior to beginning work on systems containing flammable refrigerants, safety checks are necessary to ensure that the risk of ignition is minimized. For repair to the refrigerating system, the following precautions shall be complied with prior to conducting work on the system.

#### 1.2 Work procedure

Work shall be undertaken under a controlled procedure so as to minimize the risk of a flammable gas or vapour being present while the work is being performed.

#### 1.3 General work area

All maintenance staff and others working in the local area shall be instructed on the nature of work being carried out. Work in confined spaces shall be avoided. The area around the workspace shall be sectioned off. Ensure that the conditions within the area have been made safe by control of flammable material.

#### 1.4 Checking for presence of refrigerant

The area shall be checked with an appropriate refrigerant detector prior to and during work, to ensure the technician is aware of potentially flammable atmospheres. Ensure that the leak detection equipment being used is suitable for use with flammable refrigerants, i.e. nonsparking, adequately sealed or intrinsically safe.

## 1 Safety awareness

### 1.5 Presence of fire extinguisher

If any hot work is to be conducted on the refrigeration equipment or any associated parts, appropriate fire extinguishing equipment shall be available to hand. Have a dry powder or CO<sub>2</sub> fire extinguisher adjacent to the charging area.

### 1.6 No ignition sources

No person carrying out work in relation to a refrigeration system which involves exposing any pipe work that contains or has contained flammable refrigerant shall use any sources of ignition in such a manner that it may lead to the risk of fire or explosion. All possible ignition sources, including cigarette smoking, should be kept sufficiently far away from the site of installation, repairing, removing and disposal, during which flammable refrigerant can possibly be released to the surrounding space. Prior to work taking place, the area around the equipment is to be surveyed to make sure that there are no flammable hazards or ignition risks. "No Smoking" signs shall be displayed.

### 1.7 Ventilated area

Ensure that the area is in the open or that it is adequately ventilated before breaking into the system or conducting any hot work. A degree of ventilation shall continue during the period that the work is carried out. The ventilation should safely disperse any released refrigerant and preferably expel it externally into the atmosphere.

# 1 Safety awareness

## 1.8 Checks to the refrigeration equipment

Where electrical components are being changed, they shall be fit for the purpose and to the correct specification. At all times the manufacturer's maintenance and service guidelines shall be followed. If in doubt consult the manufacturer's technical department for assistance. The following checks shall be applied to installations using flammable refrigerants: the charge size is in accordance with the room size within which the refrigerant containing parts are installed; the ventilation machinery and outlets are operating adequately and are not obstructed; if an indirect refrigerating circuit is being used, the secondary circuit shall be checked for the presence of refrigerant; marking to the equipment continues to be visible and legible. Markings and signs that are illegible shall be corrected; refrigeration pipe or components are installed in a position where they are unlikely to be exposed to any substance which may corrode refrigerant containing components, unless the components are constructed of materials which are inherently resistant to being corroded or are suitably protected against being so corroded.

## 1.9 Checks to electrical devices

Repair and maintenance to electrical components shall include initial safety checks and component inspection procedures. If a fault exists that could compromise safety, then no electrical supply shall be connected to the circuit until it is satisfactorily dealt with. If the fault cannot be corrected immediately but it is necessary to continue operation, an adequate temporary solution shall be used. This shall be reported to the owner of the equipment so all parties are advised.

# 1 Safety awareness

Initial safety checks shall include: that capacitors are discharged; this shall be done in a safe manner to avoid possibility of sparking; that there no live electrical components and wiring are exposed while charging, recovering or purging the system; that there is continuity of earth bonding.

## 2. Repairs to sealed components

2.1 During repairs to sealed components, all electrical supplies shall be disconnected from the equipment being worked upon prior to any removal of sealed covers, etc. If it is absolutely necessary to have an electrical supply to equipment during servicing, then a permanently operating form of leak detection shall be located at the most critical point to warn of a potentially hazardous situation.

2.2 Particular attention shall be paid to the following to ensure that by working on electrical components, the casing is not altered in such a way that the level of protection is affected. This shall include damage to cables, excessive number of connections, terminals not made to original specification, damage to seals, incorrect fitting of glands, etc. Ensure that apparatus is mounted securely. Ensure that seals or sealing materials have not degraded such that they no longer serve the purpose of preventing the ingress of flammable atmospheres. Replacement parts shall be in accordance with the manufacturer's specifications.



## 1 Safety awareness



**Note:** The use of silicon sealant may inhibit the effectiveness of some types of leak detection equipment. Intrinsically safe components do not have to be isolated prior to working on them.

### 3. Repair to intrinsically safe components

Do not apply any permanent inductive or capacitance loads to the circuit without ensuring that this will not exceed the permissible voltage and current permitted for the equipment in use.

Intrinsically safe components are the only types that can be worked on while live in the presence of a flammable atmosphere. The test apparatus shall be at the correct rating. Replace components only with parts specified by the manufacturer. Other parts may result in the ignition of refrigerant in the atmosphere from a leak.

### 4. Cabling

Check that cabling will not be subject to wear, corrosion, excessive pressure, vibration, sharp edges or any other adverse environmental effects. The check shall also take into account the effects of aging or continual vibration from sources such as compressors or fans.

### 5. Detection of flammable refrigerants

Under no circumstances shall potential sources of ignition be used in the searching for or detection of refrigerant leaks. A halide torch (or any other detector using a naked flame) shall not be used.

### 6. Leak detection methods

The following leak detection methods are deemed acceptable for systems containing flammable refrigerants. Electronic leak detectors shall be used to detect flammable refrigerants, but the sensitivity may not be adequate, or may need recalibration. (Detection equipment shall be calibrated in a refrigerant-free area.) Ensure that the detector is not a potential source of ignition and is suitable for the refrigerant used. Leak detection equipment shall be set at a percentage of the LFL of the refrigerant and shall be calibrated to the refrigerant employed and the appropriate percentage of gas (25 % maximum) is confirmed. Leak detection fluids are suitable for use with most refrigerants but the use of detergents containing chlorine shall be avoided as the chlorine may react with the refrigerant and corrode the copper pipe-work. If a leak is suspected, all naked flames shall be removed/extinguished. If a leakage of refrigerant is found which requires brazing, all of the refrigerant shall be recovered from the system, or isolated (by means of shut off valves) in a part of the system remote from the leak. Oxygen free nitrogen (OFN) shall then be purged through the system both before and during the brazing process.

### 7. Removal and evacuation

When breaking into the refrigerant circuit to make repairs – or for any other purpose – conventional procedures shall be used. However, it is important that best practice is followed since flammability is a consideration. The following procedure shall be adhered to: remove refrigerant; purge the circuit with inert gas; evacuate; purge again with inert gas; open the circuit by cutting or brazing. The refrigerant charge shall be recovered into the correct recovery cylinders. The system shall be “flushed” with OFN to render the unit safe. This process may need to be repeated several times. Compressed air or oxygen shall not be used for this task. Flushing shall be achieved by breaking the vacuum in the system with OFN and continuing to fill until the working pressure is achieved, then venting to atmosphere, and finally pulling down to a vacuum. This process shall be repeated until no refrigerant is within the system. When the final OFN charge is used, the system shall be vented down to atmospheric pressure to enable work to take place. This operation is absolutely vital if brazing operations on the pipework are to take place.

Ensure that the outlet for the vacuum pump is not close to any ignition sources and there is ventilation available.

### 8. Charging procedures

In addition to conventional charging procedures, the following requirements shall be followed.

- Ensure that contamination of different refrigerants does not occur when using charging equipment. Hoses or lines shall be as short as possible to minimise the amount of refrigerant contained in them.

## 1 Safety awareness

- Cylinders shall be kept upright.
- Ensure that the refrigeration system is earthed prior to charging the system with refrigerant.
- Label the system when charging is complete (if not already).
- Extreme care shall be taken not to overfill the refrigeration system.

Prior to recharging the system it shall be pressure tested with OFN. The system shall be leak tested on completion of charging but prior to commissioning. A follow up leak test shall be carried out prior to leaving the site.

### 9. Decommissioning

Before carrying out this procedure, it is essential that the technician is completely familiar with the equipment and all its detail. It is recommended good practice that all refrigerants are recovered safely. Prior to the task being carried out, an oil and refrigerant sample shall be taken in case analysis is required prior to re-use of reclaimed refrigerant. It is essential that electrical power is available before the task is commenced.

- a) Become familiar with the equipment and its operation.
- b) Isolate system electrically.
- c) Before attempting the procedure ensure that: mechanical handling equipment is available, if required, for handling refrigerant cylinders; all personal protective equipment is available and being used correctly; the recovery process is supervised at all times by a competent person; recovery equipment and cylinders conform to the appropriate standards.

## 1 Safety awareness

- d) Pump down refrigerant system, if possible.
- e) If a vacuum is not possible, make a manifold so that refrigerant can be removed from various parts of the system.
- f) Make sure that cylinder is situated on the scales before recovery takes place.
- g) Start the recovery machine and operate in accordance with manufacturer's instructions.
- h) Do not overfill cylinders. (No more than 80 % volume liquid charge).
- i) Do not exceed the maximum working pressure of the cylinder, even temporarily.
- j) When the cylinders have been filled correctly and the process completed, make sure that the cylinders and the equipment are removed from site promptly and all isolation valves on the equipment are closed off.
- k) Recovered refrigerant shall not be charged into another refrigeration system unless it has been cleaned and checked.

### 10. Labelling

Equipment shall be labelled stating that it has been de-commissioned and emptied of refrigerant. The label shall be dated and signed.

Ensure that there are labels on the equipment stating the equipment contains flammable refrigerant.

## 11. Recovery

When removing refrigerant from a system, either for servicing or decommissioning, it is recommended good practice that all refrigerants are removed safely. When transferring refrigerant into cylinders, ensure that only appropriate refrigerant recovery cylinders are employed. Ensure that the correct number of cylinders for holding the total system charge are available. All cylinders to be used are designated for the recovered refrigerant and labelled for that refrigerant (i.e. special cylinders for the recovery of refrigerant). Cylinders shall be complete with pressure relief valve and associated shut-off valves in good working order. Empty recovery cylinders are evacuated and, if possible, cooled before recovery occurs.

The recovery equipment shall be in good working order with a set of instructions concerning the equipment that is at hand and shall be suitable for the recovery of flammable refrigerants. In addition, a set of calibrated weighing scales shall be available and in good working order. Hoses shall be complete with leak-free disconnect couplings and in good condition. Before using the recovery machine, check that it is in satisfactory working order, has been properly maintained and that any associated electrical components are sealed to prevent ignition in the event of a refrigerant release. Consult manufacturer if in doubt.

The recovered refrigerant shall be returned to the refrigerant supplier in the correct recovery cylinder, and the relevant waste transfer note arranged. Do not mix refrigerants in recovery units and especially not in cylinders.

## 1 Safety awareness

If compressors or compressor oils are to be removed, ensure that they have been evacuated to an acceptable level to make certain that flammable refrigerant does not remain within the lubricant. The evacuation process shall be carried out prior to returning the compressor to the suppliers. Only electric heating to the compressor body shall be employed to accelerate this process. When oil is drained from a system, it shall be carried out safely.

### Note about fluorinated gasses:



- Fluorinated greenhouse gases are contained in hermetically sealed equipment. For specific information on the type, the amount and the CO<sub>2</sub> equivalent in tonnes of the fluorinated greenhouse gas (on some models), please refer to the relevant label on the unit itself.
- Installation, service, maintenance and repair of this unit must be performed by a certified technician.
- Product uninstallation and recycling must be performed by a certified technician.

## Competence of service personnel

### General

Special training additional to usual refrigerating equipment repair procedures is required when equipment with flammable refrigerants is affected.

## 1 Safety awareness

In many countries, this training is carried out by national training organizations that are accredited to teach the relevant national competency standards that may be set in legislation.

The achieved competence should be documented by a certificate.

### Training

The training should include the substance of the following:

Information about the explosion potential of flammable refrigerants to show that flammables may be dangerous when handled without care.

Information about potential ignition sources, especially those that are not obvious, such as lighters, light switches, vacuum cleaners, electric heaters.

Information about the different safety concepts:

Unventilated - (see Clause GG.2) Safety of the appliance does not depend on ventilation of the housing. Switching off the appliance or opening of the housing has no significant effect on the safety. Nevertheless, it is possible that leaking refrigerant may accumulate inside the enclosure and flammable atmosphere will be released when the enclosure is opened.

Ventilated enclosure - (see Clause GG.4) Safety of the appliance depends on ventilation of the housing. Switching off the appliance or opening of the enclosure has a significant effect on the safety. Care should be taken to ensure a sufficient ventilation before.



## 1 Safety awareness

Ventilated room - (see Clause GG.5) Safety of the appliance depends on the ventilation of the room. Switching off the appliance or opening of the housing has no significant effect on the safety. The ventilation of the room shall not be switched off during repair procedures.

Information about the concept of sealed components and sealed enclosures according to IEC 60079-15:2010.

Information about the correct working procedures:

### a) Commissioning

- Ensure that the floor area is sufficient for the refrigerant charge or that the ventilation duct is assembled in a correct manner.
- Connect the pipes and carry out a leak test before charging with refrigerant.
- Check safety equipment before putting into service.

### b) Maintenance

- Local equipment shall be repaired outside or in a workshop specially equipped for servicing units with flammable refrigerants.
- Ensure sufficient ventilation at the repair place.
- Be aware that malfunction of the equipment may be caused by refrigerant loss and a refrigerant leak is possible.
- Discharge capacitors in a way that won't cause any spark. The standard procedure to short circuit the capacitor terminals usually creates sparks.
- Reassemble sealed enclosures accurately. If seals are worn, replace them.
- Check safety equipment before putting into service.

## 1 Safety awareness

### c) Repair

- Local equipment shall be repaired outside or in a workshop specially equipped for servicing units with flammable refrigerants.
- Ensure sufficient ventilation at the repair place.
- Be aware that malfunction of the equipment may be caused by refrigerant loss and a refrigerant leak is possible.
- Discharge capacitors in a way that won't cause any spark.
- When brazing is required, the following procedures shall be carried out in the right order:
  - Remove the refrigerant. If the recovery is not required by national regulations, drain the refrigerant to the outside. Take care that the drained refrigerant will not cause any danger. In doubt, one person should guard the outlet. Take special care that drained refrigerant will not float back into the building.
  - Evacuate the refrigerant circuit.
  - Purge the refrigerant circuit with nitrogen for 5 min.
  - Evacuate again.
  - Remove parts to be replaced by cutting, not by flame.
  - Purge the braze point with nitrogen during the brazing procedure.
  - Carry out a leak test before charging with refrigerant.
- Reassemble sealed enclosures accurately. If seals are worn, replace them.
- Check safety equipment before putting into service.

## 1 Safety awareness

### d) Decommissioning

- If the safety is affected when the equipment is putted out of service, the refrigerant charge shall be removed before decommissioning.
- Ensure sufficient ventilation at the equipment location.
- Be aware that malfunction of the equipment may be caused by refrigerant loss and a refrigerant leak is possible.
- Discharge capacitors in a way that won't cause any spark.
- Remove the refrigerant. If the recovery is not required by national regulations, drain the refrigerant to the outside. Take care that the drained refrigerant will not cause any danger. In doubt, one person should guard the outlet. Take special care that drained refrigerant will not float back into the building.
- Evacuate the refrigerant circuit.
- Purge the refrigerant circuit with nitrogen for 5 min.
- Evacuate again.
- Fill with nitrogen up to atmospheric pressure.
- Put a label on the equipment that the refrigerant is removed.

### e) Disposal

- Ensure sufficient ventilation at the working place.
- Remove the refrigerant. If the recovery is not required by national regulations, drain the refrigerant to the outside. Take care that the drained refrigerant will not cause any danger. In doubt, one person should guard the outlet. Take special care that drained refrigerant will not float back into the building.

## **1** Safety awareness

- Evacuate the refrigerant circuit.
- Purge the refrigerant circuit with nitrogen for 5 min.
- Evacuate again.
- Cut out the compressor and drain the oil.

### **Transportation, marking and storage for units that employ flammable refrigerants**

#### **Transport of equipment containing flammable refrigerants**

Attention is drawn to the fact that additional transportation regulations may exist with respect to equipment containing flammable gas. The maximum number of pieces of equipment or the configuration of the equipment, permitted to be transported together will be determined by the applicable transport regulations.

#### **Marking of equipment using signs**

Signs for similar appliances used in a work area generally are addressed by local regulations and give the minimum requirements for the provision of safety and/or health signs for a work location.

All required signs are to be maintained and employers should ensure that employees receive suitable and sufficient instruction and training on the meaning of appropriate safety signs and the actions that need to be taken in connection with these signs.

The effectiveness of signs should not be diminished by too many signs being placed together.

Any pictograms used should be as simple as possible and contain only essential details.

### **Disposal of equipment using flammable refrigerants**

See national regulations.

### **Storage of equipment/appliances**

The storage of equipment should be in accordance with the manufacturer's instructions.

Storage of packed (unsold) equipment

Storage package protection should be constructed such that mechanical damage to the equipment inside the package will not cause a leak of the refrigerant charge.

The maximum number of pieces of equipment permitted to be stored together will be determined by local regulations.

## 2 Name of parts

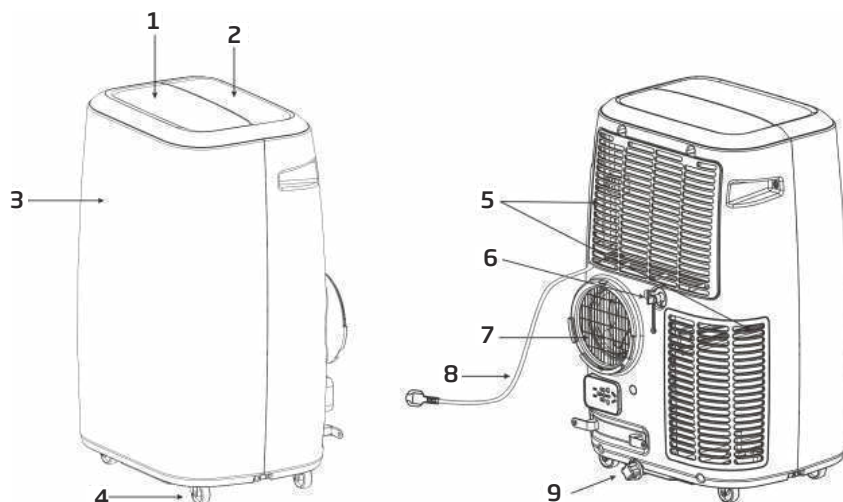



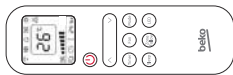









Fig.1

1	Louver	5	Air inlet
2	Control panel	6	Drainage outlet
3	Front cover	7	Air outlet
4	Castor	8	Power cord
		9	Drainage outlet

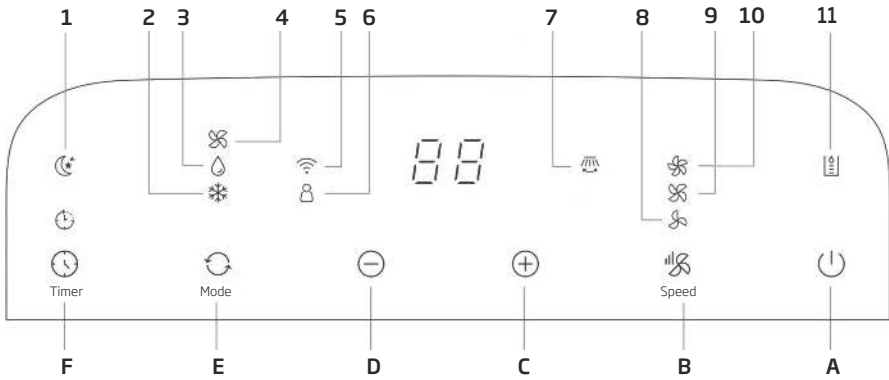
### 3 Accessories


Part	Description	Quantity
	Exhaust hose	1
	Window connector	1
	Housing adaptor	1
	Remote controller	1
	Window kit	1
	Dowel	1
	Fabric window kit	1 (optional)
	Roll ribbon	1 (optional)
	Air outlet	1
	Water pipe	1
	Batteries	2

After unpacking, please check whether the above-mentioned accessories are included, and check their purposes in the installation introduction in this manual.

## 4 Appearance and function of control panel

### 4.1 Cooling only model (non-reversible)

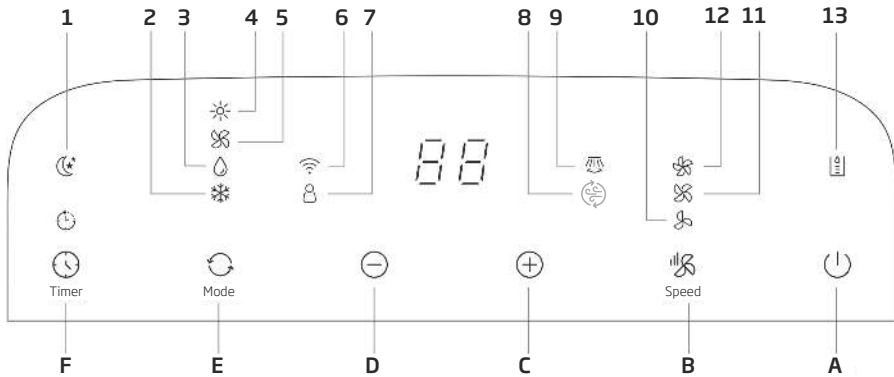


A	Power on/off	4	Fan
B	Fan speed	5	Wireless function 
C	Temperature up	6	Zone follow
D	Temperature down	7	Auto swing
E	Operation mode	8	Low fan speed
F	Timer on/off	9	Medium fan speed
1	Sleep mode	10	High fan speed
2	Cooling	11	Water full
3	Dehumidifying		



## 4 Appearance and function of control panel

### 4.2 Cooling & Heat pump model (reversible)



A	Power on/off	4	Heating
B	Fan speed	5	Fan
C	Temperature up	6	Wireless function
D	Temperature down	7	Zone follow
E	Operation mode	8	Hepa 13 filter indicator (present on BP113H only)
F	Timer on/off	9	Auto swing
		10	Low fan speed
1	Sleep mode	11	Medium fan speed
2	Cooling	12	High fan speed
3	Dehumidifying	13	Water full

1080 hours is recommended for the HEPA filter using.

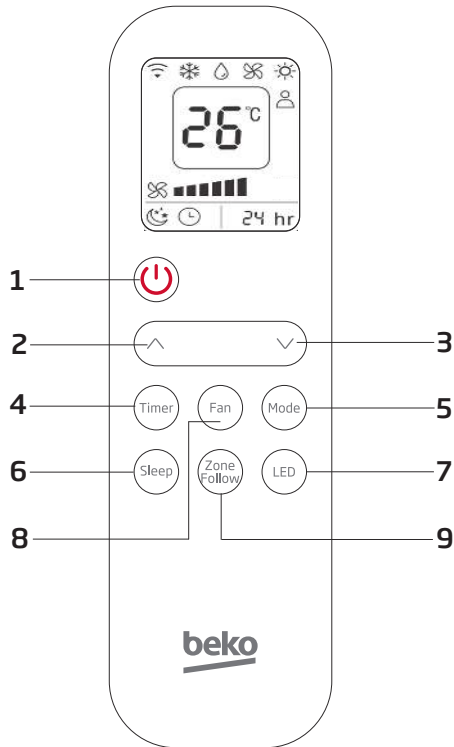
- When the accumulated time of the purification sensor is switched on for 1080 hours, the "HEPA 13 filter indicator" flashes to remind the replacement of a new HEPA filter
- Reset: After HEPA is replaced, long press the TIMER button 5 seconds to confirm the reset. At this time, the "HEPA 13 filter indicator" stops flashing and the time is reset again.

#### Note:



- Please keep HEPA 13 filter stored in well conditioner when you don't use it on product. Otherwise, HEPA life time would be affected and shorten usage time.
- When HEPA 13 filter is taken out from product / package for 1 year or more, we suggest to replace with new HEPA 13 filter for better air cleaning performance.
- Suggested working hours depends on room size, air quality environment etc.

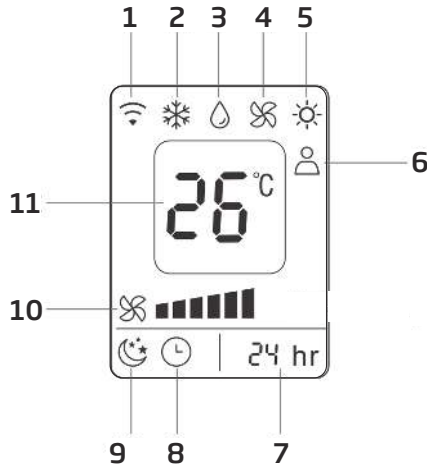
## 5 Appearance and function of remote control



1. Power on/off
2. Temperature up
3. Temperature down
4. Timer on/off
5. Operation mode

6. Sleep mode
7. LED display
8. Fan speed
9. Zone Follow

## 5 Appearance and function of remote control



- |  |                         |
|--|-------------------------|
| 1. Receiver signal  | 7. Timing               |
| 2. Cooling   | 8. Timer on/off         |
| 3. Dehumidifying   | 9. Sleep mode           |
| 4. Fan   | 10. Fan speed           |
| 5. Heating   | 11. Temperature display |
| 6. Zone follow   |                         |



### Note:

- Do not drop the remote controller.
- Do not place the remote controller in a location exposed to direct sunlight.

## 6 Operation introduction

Before starting operations in this section:

1. Find a place where there is power supply nearby.
2. As shown in Fig. 5 and Fig. 5a, install the exhaust hose, and adjust the window position well.

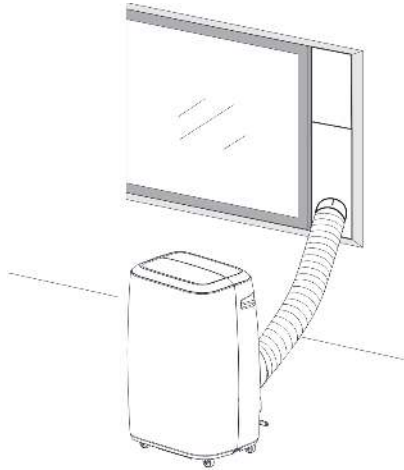


Fig. 5

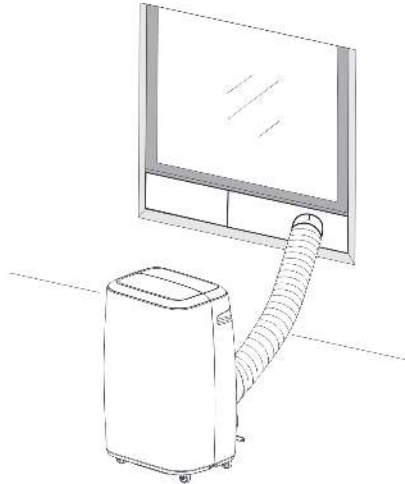


Fig. 5a

3. Connect drain hose well (only for using heating model);
4. Insert the power cord into a grounded AC220~240V/50Hz socket;
5. Press the Power button to turn on the air-conditioner.

### 6.1 Before using

**Notice:**

- **Operation temperature range:**

	Maximum cooling	Minimum cooling
DB/WB(°C)	35/24	18/12

	Maximum heating	Minimum heating
DB/WB(°C)	27/---	7/---

## 6 Operation introduction

Check up whether the exhaust hose has been mounted properly.

Cautions for cooling and dehumidifying operations:

- When using functions on cooling and dehumidifying, keep an interval of at least 3 minutes between each On/Off.
- Power supply meets the requirements.
- The socket is for AC use.
- Do not share one socket with other appliances.
- Power supply is AC220--240V, 50Hz

### 6.2 Cooling operation

- Press the "Mode" button till the "Cool" icon appears.
- Press the "Down" or "Up" button to select a desired room temperature. (16°C-31°C)
- Press the "Wind" button to select wind speed.

### 6.3 Dehumidifying operation

- Press the "Mode" button till the "Dehumidify" icon appears.
- Automatically set the selected temperature to current room temperature minus 2°C. (16°C-31°C)
- Automatically set the fan motor to Low wind speed.

### 6.4 Fan operation

- Press the "Mode" button till the "Fan" icon appears.
- Press the "Wind" button to select wind speed.

### 6.5 Heating operation (this function is not available for a cold- single unit)

- Press the "Mode" button till the "Heat" icon appears.
- Press the "Down" or "Up" button to select a desired room temperature. (16°C-31°C)
- Press the "Wind" button to select wind speed.

### 6.6 Timer operation

Timer On setting:

- When the air-conditioner is Off, press the "Timer" button and select a desired On time through the temperature and time setting buttons.
- "Preset On Time" is displayed on the operation panel, after setting time 5 seconds, 'set temperature' will be shown on both display.
- On time can be regulated at any time in 0-24 hours.

## 6 Operation introduction

Timer Off setting:

- When the air-conditioner On, press "Timer" button and select a desired Off time through the temperature and time setting buttons.
- "Preset Off Time" is displayed on the operation panel.
- Off time can be regulated at any time in 0-24 hours.

### 6.7 Auto swing

- This function could be only realized through Homewhiz app.

### 6.8 Sleep mode

- While in cooling mode, press the Sleep key to set the temperature. It increases 1°C after an hour and at most increases 2°C after 2 hours.
- While in heating mode, press the Sleep key to set the temperature. It decreases 1°C after an hour and at most decreases 2°C after 2 hours.
- Press the Sleep key again can cancel the setting.

### 6.9 Water drainage

Water full alarm

- The inner water tray inside the air-conditioner has one water level safety switches, it controls water level. When water level reaches an anticipated height, the water full indicator lamp lights up. (If water pump is damaged, when the water is full, please remove the rubber blockage at the bottom of unit, and all water will drain outside.)

Continuous drainage

- When you plan to leave this unit unused for a long time, please remove the rubber blockage from the drainage hole at the bottom of unit, and connect a drain hose to the lower fixing clip. All the water in the water tank will drain outside.
- You can drain the water as the above when the unit working at the heat mode and dehumidifying mode.
- If water pump is damaged, continuous drainage can be used, and under this condition, the water pump is not activated. The unit can also work well.  
If water pump is damaged, intermittent drainage can also be used. Under this condition, when the water full indicator lamp lights up, please connect a drain hose to the lower fixing clip, then all the water in the water tray will be drained outside. The unit can also work well.

## 6 Operation introduction

### 6.10 Wireless function

- Long press the Speed button for 5s, enter the wireless factory set up mode;
- The unit is connected with wireless If the wireless indicator is on, otherwise is not connected. When the wireless indicator flashing slowly, the unit is at the wireless set up mode, if flashing quickly, the unit is connected with wireless;
- You can realize most of the air conditioner functions by the mobile phone APP (HomeWhiz) with the wireless connected.

### 6.11 Zone follow function

- You can switch on or off the Zone follow function through the remote controller;
- When this function is on, the unit will control the temperature of the room by the temperature sensor inside the remote controller (the room temperature sensor inside the machine will not work again)
- This function will be off if the unit have not received the signal from the remote controller in 30 minutes. It will switch to the normal room temperature sensor inside the unit to control the temperature.

## 7 Installation explanations

### 7.1 Installation explanations:

- A removal air-conditioner shall be installed in the flat and empty place all around. Don't block the air outlet, and the required distance around should be at least 30cm. (See Fig. 8)
- Should not be installed in wet location, such as the laundry room.
- Socket wiring should be in accordance with the local electric safety requirements.

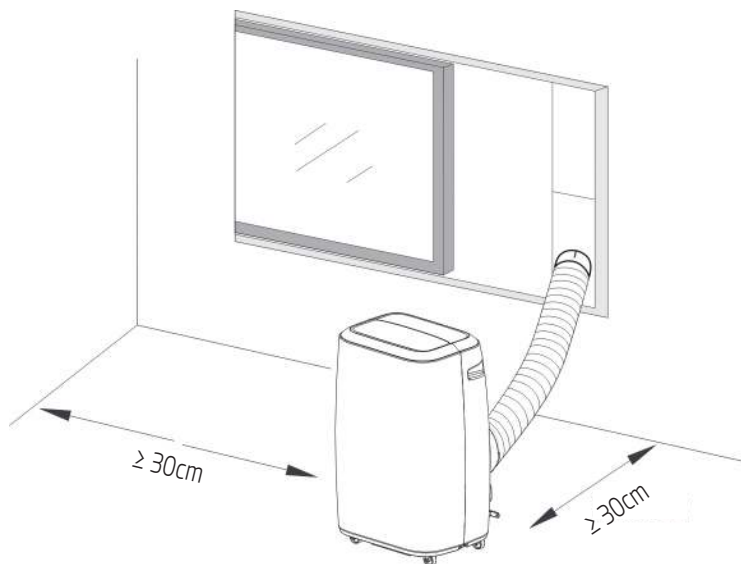


Fig. 8



## 7 Installation explanations

### 7.2 Introduction to exhaust hose installation

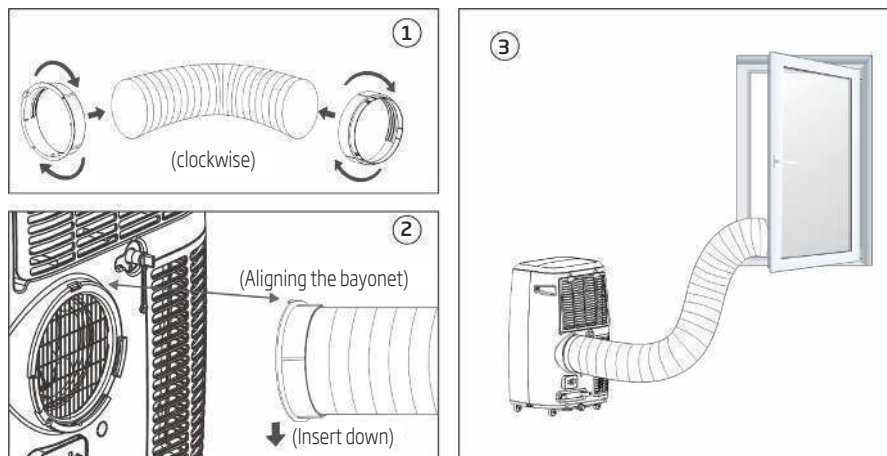


Fig. 9

#### Temporary installation

1. Twist both ends of the exhaust hose into the square fixing clip and the flat fixing clip.
2. Insert the square fixing clip into openings at back of the air conditioner (see Fig. 9).
3. Put the other end of the exhaust hose to the near windowsill.

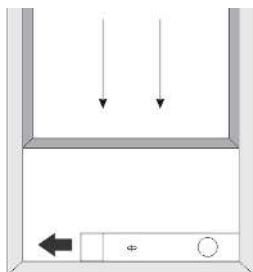
#### Window slider kit installation

The installation manner of window slider kit is mostly in "horizontal" and "vertical". As shown Fig. 10 and Fig. 10a, check the min. and max. size of the window before the installation.

1. Install the window kit on the window (Fig. 10, Fig. 10a);
2. Adjust the length of the window slider kit according to the window width or height, and fix it with the dowel;
3. Insert the window connector hose to the hole of the window kit.

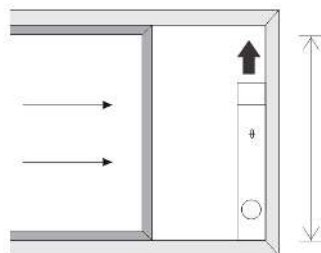
## 7 Installation explanations

①



Window width  
min: 67.5cm  
max: 123cm

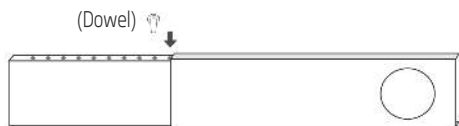
Fig. 10



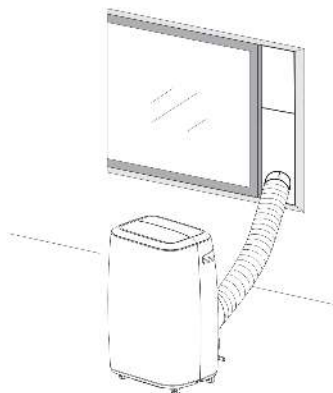
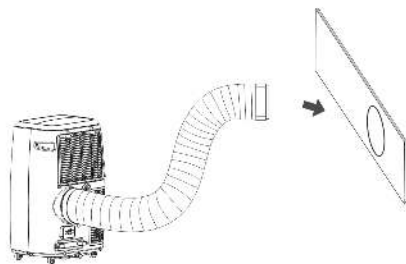
Window height  
min: 67.5cm  
max: 123cm

Fig. 10a

②



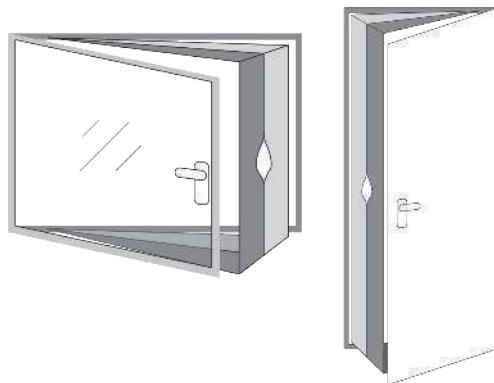
③



## 7 Installation explanations

### 7.3 Universal caulking kit accessory for mobile air conditioner (optional)

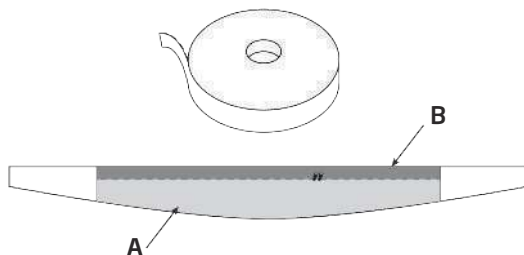
Suitable for windows and doors



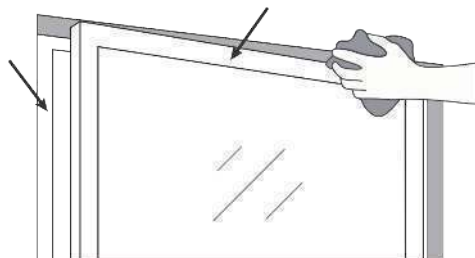
#### Included in this kit:

1 piece of fabric (4 m)

1 roll of tape gripping adhesive (9 m)

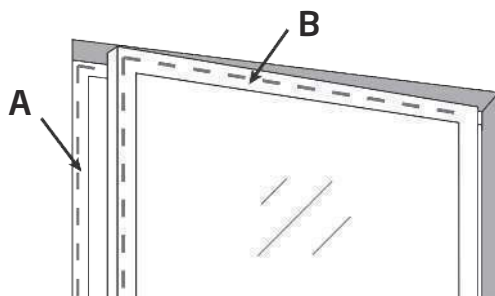


1. Open the window and clean the doors and frame before gluing the adhesive tape.

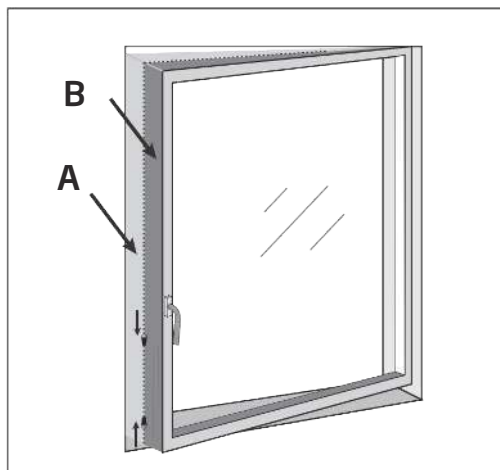


## 7 Installation explanations

2. Cut large strips of adhesive gripping tape to the dimensions of the window. Glue them to the frame of your window and then do the same on the inner surface of the window flap (on the side of the handle).

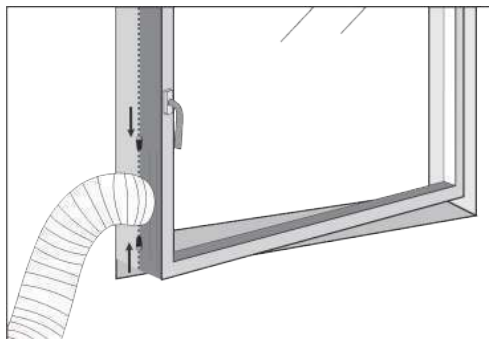


3. Glue the widest side (A) of the large white fabric piece to the window frame and then glue the narrower side (B) to the window leaf (handle side) from the center, then up and finally down.



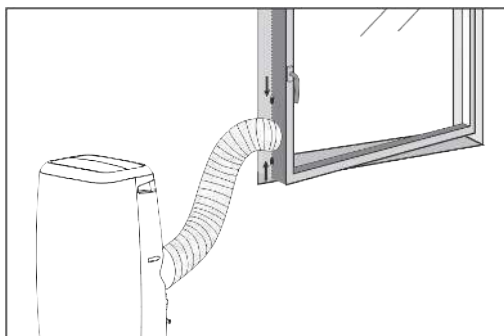
4. Close the window and make sure the large fabric piece is not stuck in the closing seams and the window closes always correctly, even with the tapes sticky adhesive tape.
5. Open the window gently and open the zipper of the fabric piece (at level of the bottom or middle of the window) then insert the exhaust duct into the opening. Readjust the zipper so that the exhaust duct is attached so that there is no air exchange between the inside and the outside.

## 7 Installation explanations



6. Your caulk kit is now installed, you can now turn on and enjoy the coolness of your mobile air conditioner!

If you no longer want to use your mobile air conditioner and close your window, you can simply remove the sheath from the zipper and close your window, in verifying that the fabric piece is not stuck in the closing seals.



### Note:



If you have a window with French opening with two leaves: Block the first leaf with the handle and make the installation of the caulk kit on the second leaf (without the handle).  
Before installation, check that the adhesive gripping tape do not damage your window.

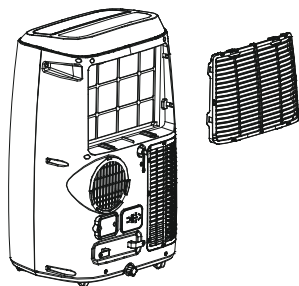
## 7 Installation explanations

### 7.4 Use the Hepa 13 filter (only for BP113H model)

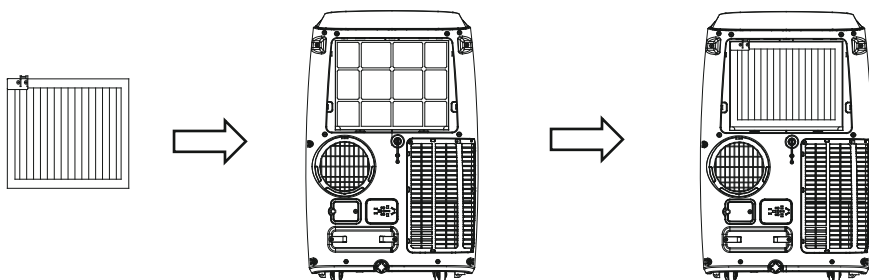
1. Putting on the Hepa 13 filter, the fresh indicator turns on.
2. In air purifier function, the cooling and dehumidifying function is invalid.
3. If you need cooling and dehumidifying function, you have to put off the Hepa 13 filter.

How to put on the Hepa 13 filter

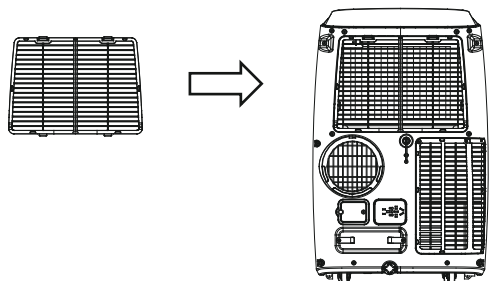
1. Take out the unit filter.



2. Put on the Hepa 13 filter.



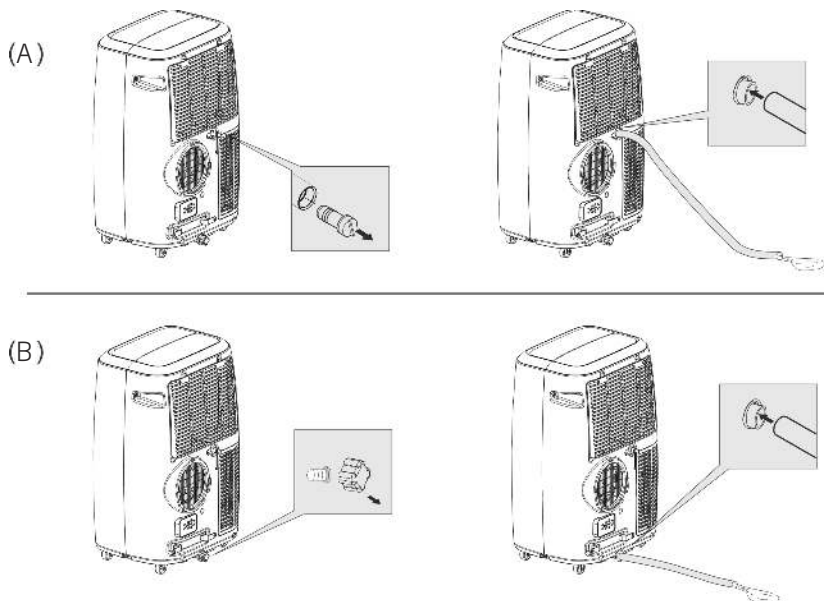
3. Put on the unit filter.



## 7 Installation explanations

### 7.5 Water full alarm

The inner water tray inside the air-conditioner has one water level safety switches, it controls water level. When water level reaches an anticipated height, the water full indicator lamp lights up. (If water pump is damaged, when the water is full, please remove the rubber blockage at the bottom of unit, and all water will be drained outside.)



Hole (A) which is placed at the top, is to be used to extract the water from the mobile air conditioner (remove the rubber stopper and add the drain hose to the orifice) when there is a lot of humidity in the room (in continuous drainage) or when the product is operating in dehumidification or heating mode.

Hole (B) which is placed at the bottom, has a tank and is to be used when it is necessary to empty the tank (water tank alarm). Simply remove the rubber plug and add the drain hose to the hole to drain the water from the tank.

#### Note:

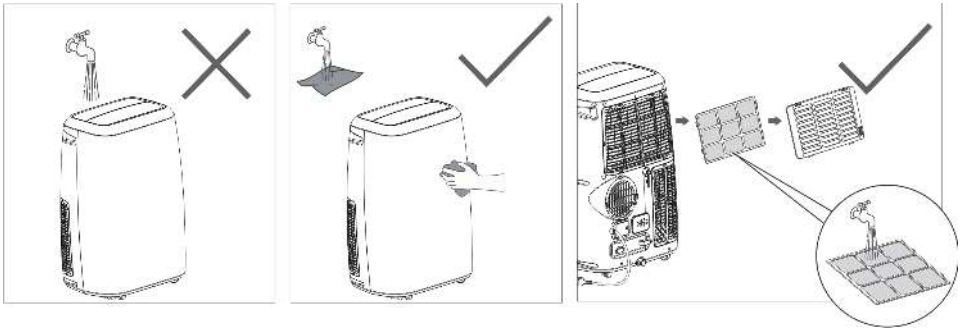


Attention depending on the filling of the water tank, there will sometimes be a lot of water to evacuate. Then the ideal would be to empty it outside or empty it over a large basin to avoid flooding your room.

## 8 Maintenance explanations

### Warning:

- Always unplug the unit before cleaning or servicing.
- Do not use flammable liquids or chemicals to clean the unit.
- Do not wash the unit under running water. Doing so causes electrical danger.
- Do not operate the machine if the power supply was damaged during cleaning. A damaged power cord must be replaced with a new cord from the manufacturer.
- If the conditioner is damaged, please contact the dealer or repair shop.



### 8.1 Clean the air filter

- If the air filter becomes clogged with dust/dirt, the air filter should be cleaned once every two weeks.
- Dismounting  
Open the air inlet grille and take off air filter.
- Cleaning  
Clean the air filter with neutral detergent in lukewarm (40°C) and dry it up in the shade.
- Mounting  
Putting the air filter into the inlet grille, replace the components as they were.



## 8 Maintenance explanations



### **Warning:**

Do not operate the unit without filter because dirt and lint will clog it and reduce performance.

### **8.2 Clean the air-conditioner surface**

First clean the surface with a neutral detergent and wet cloth, and then wipe it with a dry cloth.

**Maintenance tips**

Be sure to clean the air filter every 2 weeks for optimal performance.

The water collection tray should be drained immediately after P1 error occurs, and before storage to prevent mold.

In households with animals, you will have to periodically wipe down the grill to prevent blocked airflow due to animal hair.

**Clean the unit**

Clean the unit using a damp, lint-free cloth and mild detergent. Dry the unit with a dry, lint-free cloth.

**Store the unit when not in use**

Drain the unit's water collection tray according to the instructions in the following section.

Run the appliance on Fan mode for 12 hours in a warm room to dry it and prevent mold.

Turn off the appliance and unplug it.

Clean the air filter according to the instructions in the previous section. Reinstall the clean, dry filter before storing.

Remove the batteries from the remote control.

Be sure to store the unit in a cool, dark place. Exposure to direct sunshine or extreme heat can shorten the lifespan of the unit.



**Note:** The cabinet and front may be dusted with an oil-free cloth or washed with a cloth dampened in a solution of warm water and mild liquid dishwashing detergent. Rinse thoroughly and wipe dry. Never use harsh cleansers, wax or polish on the cabinet front. Be sure to wring excess water from the cloth before wiping around the controls. Excess water in or around the controls may cause damage to the unit.

## 10 Troubleshooting

Troubles	Possible causes	Suggested remedies
1. Unit does not start when pressing on/off button	- Water full indicator lamp blinks, and water tank is full.	Dump the water out of the water tank.
	- Room temperature is higher than the setting temperature. (Heating mode)	Reset the temperature
	- Room temperature is lower than the setting temperature. (Cooling mode)	Reset the temperature
2. Not cool enough	- The doors or windows are not closed.	Make sure all the windows and doors are closed.
	- There are heat sources inside the room.	Remove the heat sources if possible
	- Exhaust air hose is not connected or blocked.	Connect or clean the exhaust air hose.
	- Temperature setting is too high.	Reset the temperature
	- Air inlet is blocked.	Clean the air inlet.
3. Noisy	- The ground is not level or not flat enough	Place the unit on a flat, level ground if possible
	- The sound comes from the flowing of the refrigerant inside the air conditioner	It is normal.
4. E0 Code	Room temperature sensor failed	Replace room temperature sensor (the unit can also work without replacement.)
5. E1 Code	Condenser temperature sensor failed	Replace condenser temperature sensor
6. E2 Code	Water tank full when cooling	Take off rubber stopper and empty the water.
7. E3 Code	Evaporator temperature sensor failed	Replace evaporator temperature sensor
8. E4 Code	Water tank full when heating	Please empty the water tank.



**Note:** The real products may look different.

## 11 European disposal guideline

When using this unit in the European countries, the following information must be followed:

**Disposal:** Do not dispose this product as unsorted municipal waste. Collection of such waste separately for special treatment is necessary.

It is prohibited to dispose of this appliance in domestic household waste.

For disposal, there are several possibilities:

- The municipality has established collection systems, where electronic waste can be disposed of at least free of charge to the user.
- When buying a new product, the retailer will take back the old product at least free of charge.
- The manufacture will take back the old appliance for disposal at least free of charge to the user.
- As old products contain valuable resources, they can be sold to scrap metal dealers.

Wild disposal of waste in forests and landscapes endangers your health when hazardous substances leak into the ground-water and find their way into the food chain.



This symbol indicates that this product shall not be disposed with other household wastes at the end of its service life. Used device must be returned to official collection point for recycling of electrical and electronic devices. To find these collection systems please contact to your local authorities or retailer where the product was purchased. Each household performs important role in recovering and recycling of old appliance. Appropriate disposal of used appliance helps prevent potential negative consequences for the environment and human health.

## 12 Installation instructions

### 12.1 F-Gas instruction

This product contains fluorinated greenhouse gases.

The fluorinated greenhouse gases are contained in hermetically sealed equipment.

Installs, services, maintains, repairs, checks for leaks or decommissions equipment and product recycling should be carried out by natural persons that hold relevant certificates.

If the system has a leakage detection system installed, leakage checks should be performed at least every 12 months, make sure system operate properly.

If product must be performed leakage checks, it should specify Inspection cycle, establish and save records of leakage checks.



**Note:** For hermetically sealed equipment, Local air conditioner, window air conditioner and dehumidifier, if CO<sub>2</sub> equivalent of fluorinated greenhouse gases is less than 10 tonnes, it should not perform leakage check.

# 13 Specifications

Beko Model Name	BP109C	BP112C	BP112H	BP113H	BP109AC	BP109AH
Refrigerant	R290	R290	R290	R290	R290	R290
Total refrigerant amount (g)	212	226	226	225	230	230
Climate class	T1	T1	T1	T1	T1	T1
Cooling capacity (Btu/h)	8871	11942	11942	12966	8530	8530
Cooling capacity (W)	2600	3500	3500	3800	2500	2500
Heating capacity (Btu/h)	-	-	8871	10577	-	7165
Heating capacity (W)	-	-	2600	3100	-	2100
Energy efficiency cooling (W/W) -EER	2.60	2.60	2.60	2.60	3.10	3.10
Energy efficiency heating (W/W) -COP	-	-	2.30	2.30	-	2.60
Energy level-cooling	A (EU 626/2011)	A (EU 626/2011)	A (EU 626/2011)	A (EU 626/2011)	A+ (EU 626/2011)	A+ (EU 626/2011)
Energy level-heating	-	-	A (EU 626/2011)	A (EU 626/2011)	-	A+ (EU 626/2011)
Cooling power input (W)	1000	1346	1346	1462	806	806
Heating power input (W)	-	-	1130	1348	-	807
Voltage/Frequency (V/Hz)	220-240V~/50Hz	220-240V~/50Hz	220-240V~/50Hz	220-240V~/50Hz	220-240V~/50Hz	220-240V~/50Hz
Noise power level (dBA) - (sound power)	65/63/61	65/63/61	65/63/61	65/63/61	65/63/61	65/63/61
Noise pressure level (dBA) - (sound pressure)	52/50/48	52/50/48	52/50/48	52/50/48	52/50/48	52/50/48
Air flow volume (m <sup>3</sup> /h)	380	380	380	440	380	380
Moisture removal (L/h)	1.0	1.2	1.2	1.5	1.0	1.0
Working temperature range at cooling (°C)	18°C-35°C	18°C-35°C	18°C-35°C	18°C-35°C	18°C-35°C	18°C-35°C
Working temperature Range at heating (°C)	-	-	7°C-27°C	7°C-27°C	-	7°C-27°C
Unit Net weight (KG)	28.5	30	30.5	34.5	28.5	28.5
Unit Net Dimension (mm) -(WxHxD)	440x715x335	440x715x335	440x715x335	470x764x370	440x715x335	440x715x335

## 13 Specifications

---

1. Specification are standard values calculate based on rated operation conditions. They will vary in difference work condition.
2. Our company has quick technical improvements. There will be no prior notice for any change of technical data. Please read nameplate on the air-conditioner.
3. Rated value is tested under 35/24(In.)35/24(Out).





# Veillez d'abord lire ce manuel d'utilisation !


Cher client,


Nous vous remercions d'avoir acheté un produit Beko. Nous espérons que ce produit vous apportera entière satisfaction. Tous nos produits sont fabriqués dans une usine moderne et font l'objet d'un contrôle de qualité minutieux. À cet effet, veuillez lire en intégralité le présent manuel avant d'utiliser cet appareil et conservez-le soigneusement pour une utilisation ultérieure. Si vous remettez le produit à un autre utilisateur, remettez-le-lui avec le manuel d'utilisation. Veuillez à bien respecter les consignes et les instructions figurant dans le manuel d'utilisation.


## Signification des pictogrammes

Vous trouverez les pictogrammes suivants dans ce manuel d'utilisation :

	Informations importantes et conseils utiles concernant l'utilisation de l'appareil.
--	---

	Ce symbole indique qu'il faut lire attentivement le manuel d'utilisation.
---	---


	Avertissement à propos des situations dangereuses qui pourraient entraîner des blessures ou des dégâts matériels.
--	---


	Ce symbole indique qu'un technicien doit manipuler cet équipement en suivant les instructions du manuel d'installation.
---	---

	Avertissement relatif aux actions à ne jamais effectuer.
--	--

	Risque d'électrocution.
---	-------------------------

	Ce symbole indique que cet appareil utilise un réfrigérant inflammable. Si le réfrigérant a fui et est exposé à une source d'allumage externe, il y a un risque d'incendie.
--	---

	Attention ! Surfaces chaudes !
--	--------------------------------

	Ne pas couvrir.
--	-----------------



Ce produit a été fabriqué dans le respect de l'environnement et dans des installations modernes

Ce produit est conforme à la réglementation DEEE (Déchets d'équipements électriques et électroniques) en vigueur.



Ce produit ne contient pas de PCB.

# Table des matières

<b>1</b>	<b>Consignes de sécurité</b>	<b>60</b>
<b>2</b>	<b>Description des pièces</b>	<b>86</b>
<b>3</b>	<b>Accessoires</b>	<b>87</b>
<b>4</b>	<b>Fonctionnement du panneau de commande</b>	<b>88</b>
4.1	Modèle refroidissant uniquement (non-réversible).....	88
4.2	Modèle avec pompe à chaleur et refroidissement (réversible).....	89
<b>5</b>	<b>Fonctionnement de la télécommande</b>	<b>91</b>
<b>6</b>	<b>Présentation du fonctionnement</b>	<b>93</b>
6.1	Avant l'utilisation .....	93
6.2	Mode de fonctionnement de refroidissement .....	94
6.3	Fonction déshumidificateur .....	94
6.4	Mode de fonctionnement de ventilation.....	94
6.5	Chauffage (cette fonction n'est pas disponible sur un appareil refroidissant uniquement)	94
6.6	Fonctionnement avec le minuteur .....	95
6.7	Oscillation automatique activée/désactivée.....	95
6.8	Mode sommeil.....	95
6.9	Vidange de l'eau.....	95
6.10	Fonction sans fil  .....	96
6.11	Fonctionnalité Zone follow (Capteur de température dans la télécommande).....	96
<b>7</b>	<b>Explications relatives à l'installation</b>	<b>97</b>
7.1	Explications relatives à l'installation .....	97
7.2	Présentation de l'installation du tuyau d'évacuation .....	98
7.3	Accessoire : kit de calfeutrage universel pour climatiseur mobile (en option) .....	100
7.4	Utilisation du filtre HEPA 13 (uniquement pour le modèle BP113H) .....	103
7.5	Alarme de réservoir d'eau plein .....	104

# Table des matières

---

<b>8 Explications sur la maintenance</b>	<b>105</b>
8.1 Nettoyage du filtre à air .....	105
8.2 Nettoyage du climatiseur .....	106
<b>9 Entretien</b>	<b>107</b>
<b>10 Dépannage</b>	<b>108</b>
<b>11 Directives européennes concernant la mise au rebut</b>	<b>109</b>
<b>12 Instructions d'installation</b>	<b>110</b>
12.1 Consignes de la F-Gaz .....	110
<b>13 Spécifications</b>	<b>111</b>

---

# 1 Consignes de sécurité

## Très important

Veillez ne pas installer ou utiliser votre climatiseur portable avant d'avoir lu attentivement ce manuel. Veuillez conserver ce mode d'emploi pour une éventuelle garantie de produit et pour référence ultérieure.

## Avertissement

N'utilisez aucun moyen pour accélérer le processus de dégivrage ou pour nettoyer l'appareil autre que ceux recommandés par le fabricant.

L'appareil doit être entreposé dans une pièce sans sources d'allumage fonctionnant en continu (par exemple : des flammes nues, un appareil à gaz ou un appareil de chauffage électrique).

Ne pas percer ni brûler.

Sachez que les gaz réfrigérants peuvent être inodores.

L'appareil doit être installé, utilisé et entreposé dans une pièce dont la surface au sol est supérieure à X m<sup>2</sup>.

Modèle	X (m <sup>2</sup> )
9000Btu/h, 10000Btu/h, 12000Btu/h, 13000Btu/h	12

## 1 Consignes de sécurité

### Avertissement (pour le R290)

Informations spécifiques concernant les appareils avec gaz réfrigérant R290.

- Lisez attentivement tous les avertissements.
- Lors du dégivrage et du nettoyage de l'appareil, n'utilisez aucun outil autre que ceux recommandés par le fabricant.
- L'appareil doit être placé dans une zone sans source permanente d'inflammation (par exemple : flammes nues, appareils à gaz ou électriques en fonctionnement).
- Ne percez pas et ne brûlez pas.
- Cet appareil contient Y g (voir l'étiquette signalétique au dos de l'appareil) de gaz réfrigérant R290.
- R290 est un gaz réfrigérant conforme aux directives européennes sur l'environnement. Ne percez aucune partie du circuit de réfrigérant.
- Si l'appareil est installé, utilisé ou stocké dans une zone non ventilée, la pièce doit être conçue de manière à éviter l'accumulation de fuites de réfrigérant, entraînant un risque d'incendie ou d'explosion provoqué par l'inflammation du réfrigérant elle-même provoquée par des radiateurs électriques, des cuisinières ou autres sources d'inflammation.
- L'appareil doit être rangé de manière à éviter les pannes mécaniques.

## 1 Consignes de sécurité

- Les personnes qui exploitent ou travaillent sur le circuit de réfrigérants doivent avoir la certification appropriée délivrée par un organisme accrédité qui assure la compétence dans la manipulation des réfrigérants selon une évaluation spécifique reconnue par les associations de l'industrie.
- Les réparations doivent être effectuées sur recommandation de l'entreprise de fabrication. L'entretien et les réparations qui nécessitent l'assistance d'un autre personnel qualifié doivent être effectués sous la supervision de personnel spécifié dans l'utilisation de réfrigérants inflammables.

### Consignes générales de sécurité

1. L'appareil est destiné à un usage intérieur uniquement.
2. N'utilisez pas l'appareil sur une prise en réparation ou mal installée.
3. N'utilisez pas l'appareil sans prendre les précautions suivantes :
  - A: Près d'une source de feu.
  - B: Un espace où de l'huile est susceptible de se déverser.
  - C: Un espace exposé à la lumière directe du soleil.
  - D: Un espace où de l'eau est susceptible de se déverser.
  - E: Près d'un bain, d'une buanderie, d'une douche ou d'une piscine.
4. N'insérez jamais de doigts, de barres dans la sortie d'air. Prenez soin d'avertir les enfants de ces dangers.
5. Gardez l'appareil en position verticale pendant le transport et le stockage pour que le compresseur soit bien positionné.

## 1 Consignes de sécurité

6. Avant de nettoyer le climatiseur, éteignez-le ou débranchez toujours l'alimentation.
7. Lorsque vous déplacez le climatiseur, éteignez et débranchez toujours l'alimentation électrique, et déplacez-le lentement.
8. Afin d'éviter la possibilité d'un incendie catastrophique, le climatiseur ne doit pas être couvert.
9. Les prises de climatisation doivent être conformes aux exigences locales de sécurité électrique. Si nécessaire, veuillez vérifier les exigences.
10. Il faut surveiller les enfants afin que ces derniers ne jouent pas avec l'appareil.
11. Si le cordon d'alimentation est endommagé, il doit être remplacé par le constructeur, une personne mandatée pour faire le SAV ou toute autre personne qualifiée afin d'éviter toute mise en danger.
12. Cet appareil peut être utilisé par des enfants âgés d'au moins 8 ans et par des personnes ayant des capacités physiques, sensorielles ou mentales réduites ou dénuées d'expérience ou de connaissance, s'ils (si elles) sont correctement surveillé(es) ou si des instructions relatives à l'utilisation de l'appareil en toute sécurité leur ont été données et si les risques encourus ont été appréhendés. Les enfants ne doivent pas jouer avec l'appareil. Le nettoyage et l'entretien par l'utilisateur doivent pas être effectués par des enfants sans surveillance.
13. Cet appareil doit être installé conformément aux réglementations nationales en matière de câblage.
14. Détails du type et du calibre des fusibles : T, 250 V CA, 2 A ou plus.

## 1 Consignes de sécurité

15. Chargez un technicien du SAV agréé de la maintenance ou de la réparation du présent climatiseur.
16. Ne tirez pas, ne déformez pas ou ne modifiez pas le cordon d'alimentation, ne l'immergez pas non plus dans l'eau. Tirer ou mal utiliser le cordon d'alimentation peut endommager l'appareil et provoquer une décharge électrique.
17. Vous devez respecter les réglementations nationales relatives au gaz.
18. Gardez les orifices de ventilation exempts de toute obstruction.
19. Toute personne qui travaille sur un circuit de refroidissement ou l'ouvre doit être titulaire d'un certificat valable et en cours de validité délivré par une autorité d'évaluation agréée par l'industrie, attestant de sa compétence à manipuler les gaz réfrigérants en toute sécurité, conformément à une norme d'évaluation reconnue par l'industrie.
20. L'entretien doit être effectué selon les recommandations du fabricant de l'équipement. La maintenance et la réparation nécessitant l'assistance d'autres techniciens qualifiés doivent être réalisées sous la supervision de la personne compétente en utilisation de gaz réfrigérants inflammables.
21. Ne faites pas fonctionner ou n'arrêtez pas l'appareil en insérant ou en retirant la fiche d'alimentation, cela peut provoquer une décharge électrique ou un incendie en raison de la génération de chaleur.
22. Débranchez l'appareil si des sons, des odeurs ou des fumées étranges en émanent.



## 1 Consignes de sécurité

23. Si le cordon d'alimentation est endommagé, celui-ci doit être remplacé par le fabricant, son représentant ou une personne ayant des qualifications semblables afin d'écartier tout danger.
24. L'appareil indiquera l'isolement d'un disjoncteur différentiel à courant résiduel nominal ne dépassant pas 30 mA.
25. Cet appareil est destiné à un usage domestique et n'est pas destiné aux utilisations suivantes :
- coin cuisine dédié aux employés dans une boutique, un bureau et tout autre environnement de travail ;
  - fermes ;
  - hôtels, motels et autres environnements de type résidentiel ;
  - environnements de type bed-and-breakfast ;
- L'appareil indiquera l'isolement d'un disjoncteur différentiel à courant résiduel nominal ne dépassant pas 30 mA.
26. Déclaration d'impédance
- Ces appareils ne peuvent être connectés qu'à une alimentation dont l'impédance du système ne dépasse pas 0,367  $\Omega$ . En cas de besoin, veuillez consulter votre autorité d'approvisionnement pour obtenir des informations sur l'impédance du système.

## 1 Consignes de sécurité



### Remarque :

- Si des pièces sont endommagées, veuillez contacter le revendeur ou un atelier de réparation désigné ;
- En cas de dommage, fermez le commutateur de débit d'air, débranchez l'alimentation électrique et contactez le revendeur ou un atelier de réparation désigné ;
- Dans tous les cas, le cordon d'alimentation doit être fermement mis à la terre.
- Pour éviter tout danger, si le cordon d'alimentation est endommagé, fermez le commutateur de débit d'air et débranchez l'alimentation électrique. Il doit être remplacé par le revendeur ou un atelier de réparation désigné.



### **Avertissements (uniquement si vous utilisez le gaz réfrigérant R290)**

#### **1. Instructions générales**

##### 1.1 Vérifications dans la zone

Avant de commencer un travail sur des systèmes contenant des réfrigérants inflammables, il faut faire des vérifications de sécurité afin de s'assurer que le risque d'allumage est réduit au minimum. Pour une réparation du système de gaz réfrigérant, il faut prendre les précautions suivantes avant de procéder à un travail sur le système.

##### 1.2 Procédure de travail

Les travaux doivent être entrepris dans le cadre d'une procédure contrôlée afin de réduire au minimum le risque que des gaz ou des vapeurs inflammables soient encore présents pendant que le travail est effectué.

##### 1.3 Zone de travail générale

Tout le personnel de maintenance et les autres personnes travaillant dans la zone locale doivent avoir reçu des instructions sur la nature du travail réalisé. Évitez de travailler dans des espaces confinés. La zone autour de l'espace de travail doit être délimitée. Vérifiez que les conditions à l'intérieur de cette zone ont été sécurisées par contrôle de matériaux inflammables.

## 1 Consignes de sécurité

### 1.4 Vérification de la présence de réfrigérant

La zone doit être vérifiée avec un détecteur de réfrigérant approprié avant et pendant le travail, afin que le technicien soit assuré d'être conscient d'atmosphères potentiellement inflammables.

Assurez-vous que le matériel utilisé pour détecter les fuites convient à une utilisation avec des réfrigérants inflammables, c'est-à-dire sans étincelles, étanchéifié de façon adéquate ou intrinsèquement sûr.

### 1.5 Présence d'un extincteur d'incendie

Si un travail à chaud est mené sur l'équipement de réfrigération ou des pièces associées, un équipement d'extinction d'incendie approprié doit être à portée de main. Un extincteur à poudre ou au CO<sub>2</sub> doit être disponible à proximité de la zone de chargement.

### 1.6 Pas de sources d'allumage

Personne n'effectuant un travail lié à un système de réfrigération impliquant l'exposition de tuyauterie contenant ou ayant contenu un réfrigérant inflammable ne doit utiliser de sources d'allumage de façon à ce que cela puisse provoquer un risque d'incendie ou d'explosion. Toutes les sources d'allumage possibles, y compris la fumée de cigarette, doivent rester à une distance suffisante du site d'installation, de réparation, d'enlèvement et de mise au rebut, durant lesquels un gaz réfrigérant inflammable peut potentiellement être libéré dans l'espace environnant. Avant le début du travail, la zone autour de l'équipement doit être étudiée pour s'assurer qu'il n'y a pas de danger inflammable ni de risque d'allumage. Des pancartes « Interdiction de fumer » doivent être installées.

# 1 Consignes de sécurité

## 1.7 Zone aérée

Vérifiez que la zone est en plein air ou aérée correctement avant d'ouvrir le système ou d'effectuer un travail à chaud. Un certain niveau d'aération doit se poursuivre pendant la réalisation du travail. La ventilation doit disperser en toute sécurité tout réfrigérant libéré et de préférence l'expulser de façon externe dans l'atmosphère.

## 1.8 Vérifications sur l'équipement de réfrigération

Si des composants électriques sont en cours de changement, ils doivent convenir à cet usage et à la bonne spécification. Les instructions de maintenance et d'entretien du fabricant doivent toujours être suivies. En cas de doute, consultez le service technique du constructeur pour obtenir une assistance. Vous devez effectuer les contrôles suivants sur les installations utilisant des réfrigérants inflammables : le volume de la charge correspond à la taille du local dans lequel les pièces contenant le réfrigérant sont installées ; le mécanisme de ventilation et les sorties fonctionnent correctement et ne sont pas obstrués ; si un circuit de réfrigération indirect est utilisé, la présence de réfrigérant doit être vérifiée dans le circuit secondaire ; le marquage sur l'équipement continue d'être visible et lisible. Les marquages et les signaux illisibles doivent être corrigés ; les tuyaux ou composants de réfrigération sont installés dans un endroit où il est peu probable qu'ils soient exposés à une substance susceptible de corroder des pièces contenant du réfrigérant, à moins qu'elles ne soient construites dans des matériaux qui sont intrinsèquement résistants à la corrosion ou qui sont convenablement protégés contre celle-ci.

# 1 Consignes de sécurité

## 1.9 Vérifications sur les dispositifs électriques

Les réparations et la maintenance des composants électriques doivent inclure des vérifications de sécurité initiales et des procédures d'inspection des composants. S'il y a une défaillance pouvant compromettre la sécurité, alors aucune alimentation électrique ne doit être raccordée au circuit tant que ce problème n'est pas résolu de façon satisfaisante. Si le défaut ne peut pas être corrigé dans l'immédiat mais qu'il faut continuer les opérations, une solution adaptée sera utilisée provisoirement. Cela doit être signalé au propriétaire de l'équipement de façon à ce que toutes les parties soient informées.

Les contrôles de sécurité initiaux doivent inclure ce qui suit : vérifier que les condensateurs sont déchargés (cela doit être fait de manière sûre pour éviter la possibilité d'étincelles) ; vérifier qu'il n'y a pas de composants électriques sous tension et de câblage exposés pendant la charge, la récupération ou la purge du système ; vérifier qu'il y a une continuité de la mise à la terre.

## 2. Réparations sur les composants hermétiques

2.1 Lors des réparations de composants hermétiques, toutes les alimentations électriques doivent être déconnectées de l'équipement sur lequel les techniciens travaillent avant le démontage de couvercles hermétiques, etc. Étant donné qu'il faut absolument avoir une alimentation électrique sur l'équipement durant l'entretien, une forme opérationnelle permanente de détection de fuite doit être située au point le plus critique pour signaler une situation potentiellement dangereuse.

## 1 Consignes de sécurité

2.2 Soyez particulièrement attentif à ce qui suit pour s'assurer qu'un travail sur des composants électriques n'altérerait pas le boîtier d'une façon qui affecterait le niveau de protection. Cela comprend les dommages aux câbles, le nombre excessif de branchements, les bornes non conformes aux spécifications d'origine, les dommages aux joints, le mauvais montage des presse-étoupes, etc. Assurez-vous que l'appareil est bien monté. Vérifiez que les joints ou les matériaux isolants ne se sont pas dégradés à un tel point qu'ils ne servent plus à empêcher la pénétration d'atmosphères inflammables. Les pièces de rechange doivent être conformes aux spécifications du fabricant.



**Remarque :** L'utilisation de produit d'étanchéité en silicone peut inhiber l'efficacité de certains types de matériel de détection des fuites. Les composants intrinsèquement sûrs n'ont pas besoin d'être isolés avant que quelqu'un travaille dessus.

### 3. Réparation des composants de sécurité intrinsèque

N'appliquez pas de charges inductives ou capacitives permanentes au circuit sans vous assurer que cela ne dépassera pas la tension permise et l'intensité permise pour l'équipement en utilisation.

Les composants intrinsèquement sûrs sont les seuls types sur lesquels quelqu'un peut travailler quand ils sont sous tension en présence d'une atmosphère inflammable. L'appareillage d'essai doit avoir les bonnes caractéristiques nominales. Remplacez les composants uniquement par des pièces spécifiées par le fabricant. D'autres pièces peuvent provoquer l'allumage du réfrigérant dans l'atmosphère à partir d'une fuite.

## **1** Consignes de sécurité

### **4. Câblage**

Vérifiez que le câblage ne sera pas sujet à l'usure, la corrosion, une pression excessive, des vibrations, des bords coupants ou d'autres intempéries. La vérification doit également prendre en compte les effets du vieillissement ou des vibrations constantes de sources telles que des compresseurs ou des ventilateurs.

### **5. Détection de réfrigérants inflammables**

Sous aucun prétexte, des sources d'allumage potentielles ne doivent être utilisées dans la recherche ou pour la détection de fuites de réfrigérant. N'utilisez pas une lampe haloïde (ou un autre détecteur utilisant une flamme nue).

### **6. Méthodes de détection des fuites**

Les méthodes de détection de fuite suivantes sont jugées acceptables pour des systèmes contenant des réfrigérants inflammables. Des dispositifs électroniques de détection de fuite seront utilisés pour détecter les réfrigérants inflammables, toutefois la sensibilité de l'appareil pourrait ne pas être adaptée, ou il faudrait éventuellement réétalonner l'appareil. (L'équipement de détection sera étalonné dans une zone exempte de gaz réfrigérant.) Assurez-vous que le détecteur n'est pas une source potentielle d'inflammation et qu'il est adapté au type de réfrigérant utilisé. Le matériel de détection de fuite doit être réglé à un pourcentage du LFL du réfrigérant et doit être étalonné selon le réfrigérant employé et le pourcentage approprié de gaz (25 % maximum) est confirmé. Des liquides de détection de fuite conviennent à une utilisation avec la plupart des réfrigérants, mais il faut éviter d'utiliser de détergents



## **1** Consignes de sécurité

contenant du chlorure, car le chlorure peut réagir avec le réfrigérant et corroder la tuyauterie en cuivre. En cas de suspicion de fuite, toutes les flammes nues doivent être éliminées/éteintes. Si une fuite de réfrigérant est décelée et nécessite un brasage, tout le réfrigérant doit être récupéré hors du système, ou isolé (par des vannes d'arrêt) dans une partie du système loin de la fuite. De l'azote exempt d'oxygène (OFN) doit ensuite être utilisé pour purger le système avant et pendant le procédé de brasage.

### **7. Enlèvement et évacuation**

En accédant au circuit de réfrigérant pour effectuer des réparations, ou à toute autre fin, il faut suivre des procédures conventionnelles. Toutefois, il est important de suivre les meilleures pratiques, car l'inflammabilité est un facteur à prendre en considération. Il faut suivre la procédure suivante : enlever le fluide frigorigène ; purger le circuit avec du gaz inerte ; évacuer, purger à nouveau avec du gaz inerte ; ouvrir le circuit par découpe ou brasage. La charge de réfrigérant doit être récupérée dans les bouteilles de récupération appropriées. Le système doit être rincé avec de l'azote exempt d'oxygène pour rendre l'unité sûre. Ce processus peut devoir être répété plusieurs fois. Il ne faut pas utiliser d'air comprimé ou d'oxygène pour cette tâche. Le rinçage doit être accompli en rompant le vide dans le système avec de l'azote exempt d'oxygène et en continuant de remplir jusqu'à atteindre la pression opérationnelle, puis en éventant à l'atmosphère, et enfin en créant un vide. Ce procédé doit être répété jusqu'à ce qu'il ne reste plus de réfrigérant dans le système. Quand une charge d'azote exempt d'oxygène est utilisée, le système doit être ventilé à la pression

## 1 Consignes de sécurité

atmosphérique pour permettre l'exécution des travaux. Cette opération est absolument vitale si des opérations de brasage doivent avoir lieu sur la tuyauterie.

Vérifiez que la sortie pour la pompe à vide n'est pas fermée pour aucune source d'allumage et vérifiez si une ventilation est disponible.

### 8. Procédure de chargement

En plus des procédures de chargement conventionnelles, les exigences suivantes doivent être suivies.

- Vérifiez que la contamination des différents réfrigérants ne se produit pas lors de l'utilisation d'équipement de chargement. Les tuyaux ou les conduites doivent être aussi courts que possible afin de réduire au minimum la quantité de réfrigérant qu'elles contiennent.
- Les bouteilles doivent rester debout.
- Vérifiez que le système de réfrigération est mis à la terre avant de charger le système avec du réfrigérant.
- Étiquetez le système lorsque le chargement est terminé (si ce n'est pas déjà fait).
- Soyez extrêmement prudent pour que le système de réfrigération ne déborde pas.

Avant de recharger le système, testez sa pression avec de l'azote exempt d'oxygène. Faites un essai d'étanchéité sur le système à la fin du chargement et avant la mise en service. Un essai d'étanchéité de suivi doit être effectué avant de quitter le site.

## 9. Mise hors service

Avant d'effectuer cette procédure, il est essentiel que le technicien soit complètement familiarisé avec l'équipement et tous ses détails. Il est recommandé et de bonne pratique de récupérer tous les réfrigérants en toute sécurité. Avant de réaliser l'opération, un échantillon d'huile et de réfrigérant sera prélevé lorsqu'une analyse est requise avant de réutiliser le réfrigérant récupéré. Il est essentiel qu'une alimentation électrique soit disponible avant de commencer la tâche.

- a) Familiarisez-vous avec l'équipement et son fonctionnement.
- b) Isolez le système électriquement.
- c) Avant d'essayer la procédure, assurez-vous que : un équipement de manutention mécanique est disponible, si nécessaire, pour manipuler les bouteilles de réfrigérant ; tous les équipements de protection individuelle sont disponibles et utilisés correctement ; le processus de récupération est supervisé à tout moment par une personne compétente ; l'équipement et les bouteilles de récupération sont conformes aux normes appropriées.
- d) Pompez le système de réfrigérant vers le bas, si possible.
- e) Si une aspiration n'est pas possible, faites un collecteur afin de pouvoir enlever le réfrigérant de diverses pièces du système.
- f) Vérifiez que la bouteille se situe sur la balance avant de commencer la récupération.
- g) Démarrez la machine de récupération et utilisez-la conformément aux instructions du fabricant.
- h) Ne remplissez pas excessivement les bouteilles. (Pas plus de 80 % du volume de chargement de liquide).

## 1 Consignes de sécurité

- i) Ne dépassez pas la pression maximale de service de la bouteille, même temporairement.
- j) Une fois que les bouteilles sont remplies correctement et que le procédé est terminé, vérifiez que les bouteilles et l'équipement sont enlevés du site rapidement et que toutes les vannes d'isolement sur l'équipement sont fermées.
- k) Le réfrigérant récupéré ne doit pas être chargé dans un autre système de réfrigération, à moins qu'il n'ait été nettoyé et inspecté.

### 10. Étiquetage

L'équipement doit comporter une étiquette indiquant qu'il a été mis hors service et vidé de réfrigérant. L'étiquette doit être datée et signée.

Vérifiez qu'il y a des étiquettes sur l'équipement qui énoncent que l'équipement contient un réfrigérant inflammable.

### 11. Récupération

En enlevant le réfrigérant d'un système, soit pour l'entretien soit pour la mise hors service, il est recommandé et de bonne pratique que tous les réfrigérants soient enlevés en toute sécurité. En transférant du réfrigérant dans des bouteilles, vérifiez que seules des bouteilles de récupération de réfrigérant appropriées sont employées. Assurez-vous d'avoir disponible le nombre correct de bouteilles pour maintenir la charge totale du système. Toutes les bouteilles à utiliser sont conçues pour le réfrigérant récupéré et étiquetées pour ce réfrigérant (c'est-à-dire des bouteilles spéciales pour la récupération de réfrigérant). Les bouteilles doivent être complètes avec un clapet de décharge et des vannes d'isolement associées en bon état de marche. Les bouteilles de récupération

## 1 Consignes de sécurité

vides sont évacuées et, si possible, refroidies avant une opération de récupération.

L'équipement de récupération doit être en bon état de fonctionnement avec un ensemble d'instructions concernant l'équipement qui est à portée de main et doit être adapté à la récupération des frigorigènes inflammables. En outre, un ensemble de balances étalonnées doit être disponible et en bon état de fonctionnement. Les tuyaux doivent être complets avec des raccords sans fuite et en bon état. Avant d'utiliser la machine de récupération, vérifiez qu'elle est dans un état de marche satisfaisant, qu'elle a été correctement entretenue et que tous les composants électriques associés sont étanchéifiés afin de prévenir l'allumage en cas de libération du réfrigérant. Consultez le fabricant en cas de doute.

Le réfrigérant récupéré doit être retourné au fournisseur de réfrigérant dans la bonne bouteille de récupération, et le bordereau de transfert des déchets approprié arrangé. Ne mélangez pas des réfrigérants dans des unités de récupération et surtout pas dans des bouteilles.

Si des compresseurs ou des huiles de compresseur doivent être enlevés, assurez-vous qu'ils ont été évacués à un niveau acceptable pour être certain qu'un réfrigérant inflammable ne reste pas dans le lubrifiant. Le procédé d'évacuation doit être effectué avant de retourner le compresseur aux fournisseurs. Seul le chauffage électrique du corps du compresseur doit être utilisé pour accélérer ce processus. La vidange d'huile d'un système doit être effectuée en toute sécurité.

## 1 Consignes de sécurité



### Remarque sur les gaz fluorés:

- Les gaz à effet de serre fluorés sont contenus dans un dispositif hermétiquement scellé. Pour des informations spécifiques sur le type, la quantité et l'équivalent CO<sub>2</sub> en tonnes de gaz à effet de serre fluoré (sur certains modèles), veuillez vous reporter à l'étiquette appropriée se trouvant sur l'appareil.
- L'installation, le service, l'entretien et la maintenance de cet appareil doivent être effectués par un technicien qualifié.
- La désinstallation et le recyclage du produit doivent être effectués par un technicien qualifié.

## Compétence du personnel de service

### Généralités

Une formation particulière en plus des procédures classiques de réparation de l'équipement réfrigérant est obligatoire dans le cas d'équipement utilisant du gaz réfrigérant inflammable.

Dans beaucoup de pays, cette formation est proposée par des organismes de formation nationaux qui sont accrédités pour enseigner les normes nationales prescrites par la législation.

La compétence acquise doit être confirmée par écrit par un certificat.

### Formation

La formation devrait porter sur les points suivants :

## 1 Consignes de sécurité

Des informations sur le potentiel d'explosion des frigorigènes inflammables pour montrer que les produits inflammables peuvent être dangereux lorsqu'ils sont manipulés sans précaution.

Des informations sur les sources d'inflammation potentielles, en particulier celles qui ne sont pas évidentes, notamment les briquets, les interrupteurs de lumière, les aspirateurs, les appareils de chauffage électriques.

Informations sur les différents concepts de sécurité :

Non ventilé - (voir Clause GG.2) La sécurité de l'appareil ne dépend pas de la ventilation du boîtier. L'arrêt de l'appareil ou l'ouverture du boîtier n'a pas d'effet significatif sur la sécurité. Néanmoins, il est possible que des fuites de réfrigérant s'accumulent à l'intérieur du boîtier et que l'atmosphère inflammable s'en échappe à son ouverture.

Boîtier ventilé - (voir Clause GG.4) La sécurité de l'appareil dépend de la ventilation du boîtier. L'arrêt de l'appareil ou l'ouverture du boîtier a un effet significatif sur la sécurité. Des précautions doivent être prises pour assurer une ventilation suffisante au préalable.

Local ventilé - (voir Clause GG.5) La sécurité de l'appareil dépend de la ventilation du local. L'arrêt de l'appareil ou l'ouverture du boîtier n'a pas d'effet significatif sur la sécurité. La ventilation du local ne doit pas être coupée pendant les procédures de réparation.

Informations sur le concept de composants scellés et de boîtiers scellés conformément à la norme CEI 60079-15:2010.

Informations sur les procédures de travail adéquates :

## 1 Consignes de sécurité

### a) Mise en service

- Assurez-vous que la surface au sol est suffisante pour la charge de réfrigérant ou que le conduit de ventilation est assemblé correctement.
- Raccordez les tuyaux et effectuez un test d'étanchéité avant de charger le réfrigérant.
- Vérifiez l'équipement de sécurité avant de le mettre en service.

### b) Entretien

- Les équipements portables doivent être réparés à l'extérieur ou dans un atelier spécialement équipé pour l'entretien des unités avec des réfrigérants inflammables.
- Assurez une ventilation suffisante sur le lieu de réparation.
- Sachez que le mauvais fonctionnement de l'équipement peut être causé par une perte de réfrigérant et qu'une fuite de réfrigérant est possible.
- Déchargez les condenseurs d'une manière qui ne causera aucune étincelle. La procédure standard pour court-circuiter les bornes du condenseur crée généralement des étincelles.
- Remontez les boîtiers scellés avec précision. Si les joints sont usés, remplacez-les.
- Vérifiez l'équipement de sécurité avant de le mettre en service.

### c) Réparation

- Les équipements portables doivent être réparés à l'extérieur ou dans un atelier spécialement équipé pour l'entretien des unités avec des réfrigérants inflammables.



## 1 Consignes de sécurité

- Assurez une ventilation suffisante sur le lieu de réparation.
- Sachez que le mauvais fonctionnement de l'équipement peut être causé par une perte de réfrigérant et qu'une fuite de réfrigérant est possible.
- Déchargez les condenseurs d'une manière qui ne causera aucune étincelle.
- Lorsqu'un brasage est nécessaire, les procédures suivantes doivent être suivies dans le bon ordre :
  - Retirez le réfrigérant. Si la récupération n'est pas requise par les réglementations nationales, vidangez le réfrigérant en plein air. Veillez à ce que le réfrigérant drainé ne présente aucun danger. En cas de doute, une personne devrait surveiller l'orifice d'évacuation. Faites particulièrement attention à ce que le réfrigérant drainé ne flotte pas de nouveau dans les murs.
  - Évacuez le circuit de réfrigérant.
  - Purgez le circuit de réfrigérant avec de l'azote pendant 5 min.
  - Évacuez-le à nouveau.
  - Retirez les pièces à remplacer par découpe, et non par brasage.
  - Purgez le point de brasage avec de l'azote pendant la procédure de brasage.
  - Effectuez un test d'étanchéité avant de charger le réfrigérant.
- Remontez les boîtiers scellés avec précision. Si les joints sont usés, remplacez-les.
- Vérifiez l'équipement de sécurité avant de le mettre en service.

## 1 Consignes de sécurité

### d) Mise hors service

- Si la sécurité est compromise lorsque l'équipement est mis hors service, la charge de réfrigérant doit être retirée avant la mise hors service.
- Assurez une ventilation suffisante à l'emplacement de l'équipement.
- Sachez que le mauvais fonctionnement de l'équipement peut être causé par une perte de réfrigérant et qu'une fuite de réfrigérant est possible.
- Déchargez les condenseurs d'une manière qui ne causera aucune étincelle.
- Retirez le réfrigérant. Si la récupération n'est pas requise par les réglementations nationales, vidangez le réfrigérant en plein air. Veillez à ce que le réfrigérant drainé ne présente aucun danger. En cas de doute, une personne devrait surveiller l'orifice d'évacuation. Faites particulièrement attention à ce que le réfrigérant drainé ne flotte pas de nouveau dans les murs.
- Évacuez le circuit de réfrigérant.
- Purgez le circuit de réfrigérant avec de l'azote pendant 5 min.
- Évacuez-le à nouveau.
- Remplissez d'azote jusqu'à la pression atmosphérique.
- Collez une étiquette sur l'équipement indiquant que le réfrigérant est retiré.

## 1 Consignes de sécurité

### e) Mise au rebut

- Assurez une ventilation suffisante sur le lieu de travail.
- Retirez le réfrigérant. Si la récupération n'est pas requise par les réglementations nationales, vidangez le réfrigérant en plein air. Veillez à ce que le réfrigérant drainé ne présente aucun danger. En cas de doute, une personne devrait surveiller l'orifice d'évacuation. Faites particulièrement attention à ce que le réfrigérant drainé ne flotte pas de nouveau dans les murs.
- Évacuez le circuit de réfrigérant.
- Purgez le circuit de réfrigérant avec de l'azote pendant 5 min.
- Évacuez-le à nouveau.
- Coupez le compresseur et vidangez l'huile.

## **Transport, marquage et entreposage des appareils utilisant des frigorigènes inflammables**

### **Transport d'équipements contenant des réfrigérants inflammables**

Nous attirons l'attention sur le fait qu'il peut exister d'autres réglementations en matière de transport en ce qui concerne l'équipement contenant des gaz inflammables. Le nombre maximal de pièces d'équipement ou la configuration de l'équipement, qu'il est possible de transporter en même temps, sera déterminé par les réglementations applicables en matière de transport.

## **1** Consignes de sécurité

### **Marquage de l'équipement avec des panneaux**

Les panneaux correspondant aux appareils similaires utilisés dans une zone de travail sont généralement couverts par les réglementations locales. Celles-ci donnent les prescriptions minimales quant à la signalisation relative à la sécurité et/ou à la santé sur un lieu de travail.

Tous les panneaux prescrits doivent être maintenus et les employeurs doivent veiller à ce que les employés reçoivent une instruction et une formation appropriées et suffisantes sur la signification des panneaux de sécurité appropriés et sur les mesures à prendre en ce qui les concerne.

L'efficacité des panneaux ne doit pas être amoindrie par la présence d'un trop grand nombre d'entre eux placés ensemble.

Les pictogrammes utilisés doivent être aussi simples que possible et ne comporter que des détails essentiels.

### **Mise au rebut d'un équipement utilisant des réfrigérants inflammables**

Se reporter à la réglementation nationale.

### **Entreposage d'équipements/appareils**

L'entreposage d'équipements doit être conforme aux indications du constructeur.

Entreposage d'équipements emballés (non vendus)

## **1** Consignes de sécurité

---

Une protection de l'emballage d'entreposage doit être réalisée de façon à ce que des dommages mécaniques à l'équipement situé à l'intérieur de l'emballage ne causent pas une fuite de la charge de réfrigérant.

Le nombre de pièces maximum de l'équipement autorisé à être entreposé ensemble sera déterminé par la réglementation locale.

## 2 Description des pièces

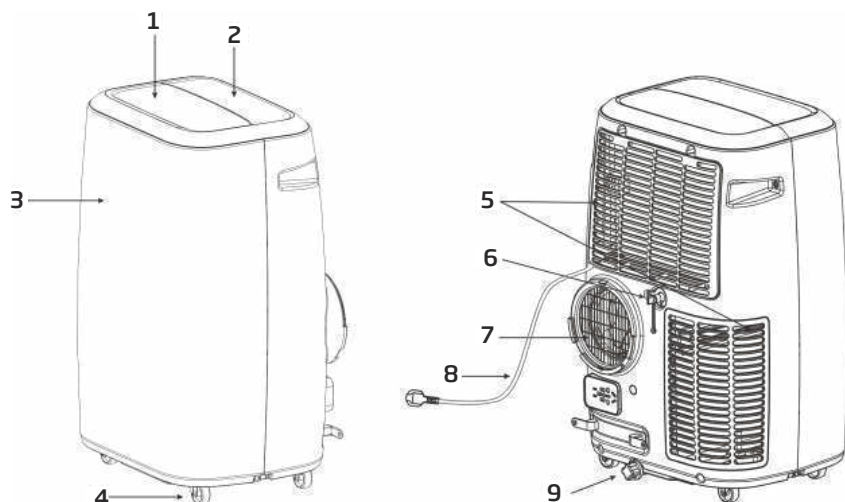



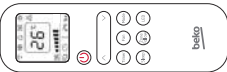









Fig.1

1	Sortie d'air	5	Entrées d'air
2	Panneau de commande	6	Sortie de vidange
3	Façade avant	7	Sortie d'air
4	Roulettes multi-directionnelles	8	Cordon d'alimentation
		9	Sortie de vidange

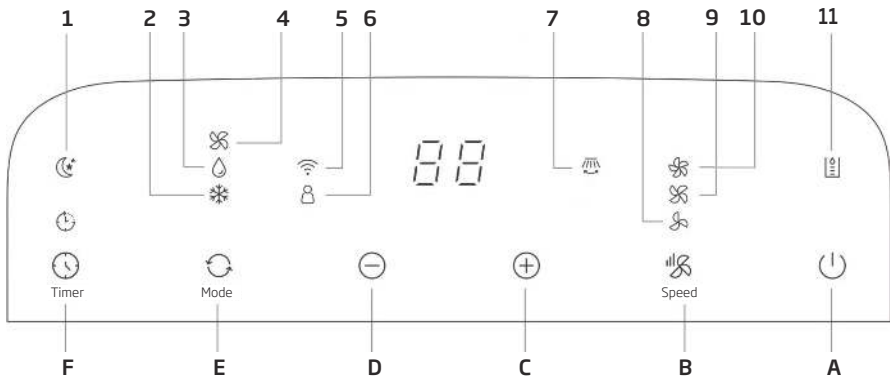
### 3 Accessoires

Pièce	Description	Quantité
	Tuyau d'évacuation	1
	Connecteur de fenêtre	1
	Adaptateur de boîtier	1
	Télécommande	1
	Kit coulissant pour fenêtre	1
	Cheville	1
	Kit de calfeutrage en tissu (s'adapte aux portes et fenêtres)	1 (en option)
	Rouleau de ruban agrippant adhésif	1 (en option)
	Sortie d'air	1
	Tuyau de vidange	1
	Piles	2

Après le déballage, veuillez vérifier si les accessoires mentionnés ci-dessus sont inclus, et vérifiez leur usage dans la partie de ce manuel décrivant l'installation.

## 4 Fonctionnement du panneau de commande

### 4.1 Modèle refroidissant uniquement (non-réversible)

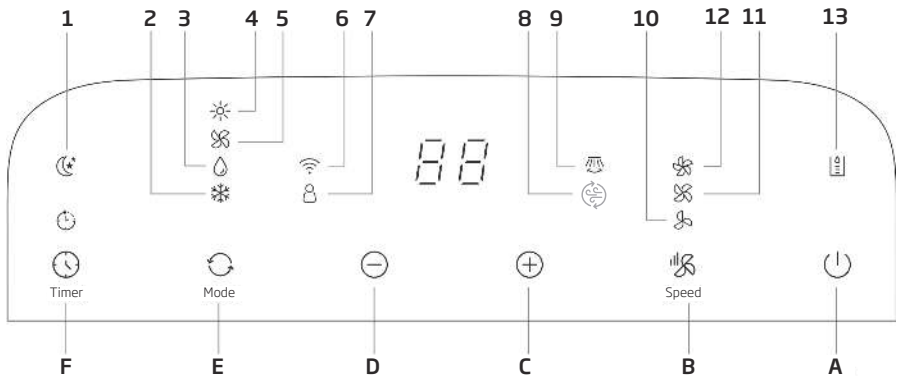


A	Marche/arrêt	4	Ventilateur
B	Vitesse de ventilation (faible, moyenne, élevée)	5	Fonction sans fil
C	Augmentation de la température	6	Capteur de température ZoneFollow activé (capteur dans la télécommande qui permet d'ajuster la température de la pièce par rapport à l'emplacement de la télécommande).
D	Baisse de la température	7	Oscillation automatique activée
E	Mode de fonctionnement	8	Faible vitesse du climatiseur
F	Minuterie activée/désactivée	9	Vitesse moyenne du climatiseur
1	Mode sommeil	10	Vitesse élevée du climatiseur
2	Refroidissement	11	Réservoir d'eau plein (réaliser vidange)
3	Fonction déshumidificateur		



## 4 Fonctionnement du panneau de commande

### 4.2 Modèle avec pompe à chaleur et refroidissement (réversible)



A	Marche/arrêt	4	Chauffage (pompe à chaleur)
B	Vitesse de ventilation (faible, moyenne, élevée)	5	Ventilateur
C	Augmentation de la température	6	Fonction sans fil
D	Baisse de la température	7	Capteur de température ZoneFollow activé (capteur dans la télécommande qui permet d'ajuster la température de la pièce par rapport à l'emplacement de la télécommande).
E	Mode de fonctionnement	8	Voyant de filtre HEPA 13 (présent sur le BP113H uniquement)
F	Minuterie activée/désactivée	9	Oscillation automatique activée
		10	Faible vitesse du climatiseur
1	Mode sommeil	11	Vitesse moyenne du climatiseur
2	Refroidissement	12	Vitesse élevée du climatiseur
3	Fonction déshumidificateur	13	Réservoir d'eau plein (réaliser vidange)

Le nombre d'heures recommandés pour l'utilisation du filtre HEPA 13 intégré sur ce produit est d'environ 1 080 heures.

- Lorsque le filtre HEPA 13 est utilisé pendant 1 080 heures, l'indicateur de filtre HEPA 13 clignotera afin de rappeler qu'il faut réaliser le remplacement du filtre avec un nouveau filtre HEPA 13 (vendu en accessoire ou disponible en pièce détachée).
- Réinitialisation : Une fois le filtre HEPA 13 remplacé, appuyez pendant 5 secondes sur le bouton « TIMER » pour confirmer la réinitialisation. L'indicateur de filtre HEPA 13 (sur le panneau de

## 4 Fonctionnement du panneau de commande

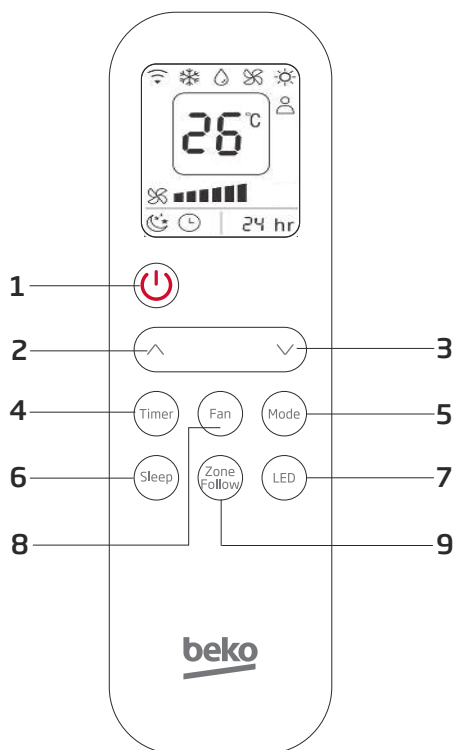
contrôle) cessera ensuite de clignoter et la durée d'utilisation du nouveau filtre sera réinitialisée.

### Remarque :

- Veuillez conserver le filtre HEPA 13 dans son pochon en tissu lorsque vous ne l'utilisez pas sur le produit. Sinon, la durée de vie du filtre HEPA 13 sera affectée et la durée d'utilisation sera moins importante.
- Lorsque le filtre HEPA 13 est retiré du produit et n'est pas utilisé pendant un an ou plus et que vous souhaitez utiliser à nouveau la fonction purificateur d'air, nous suggérons de remplacer votre filtre par un nouveau filtre HEPA 13 pour améliorer l'efficacité de celui-ci.
- Le nombre d'heures d'utilisation recommandés peut être différent en fonction de la taille de la pièce, la hauteur du plafond, la qualité de l'air, etc.

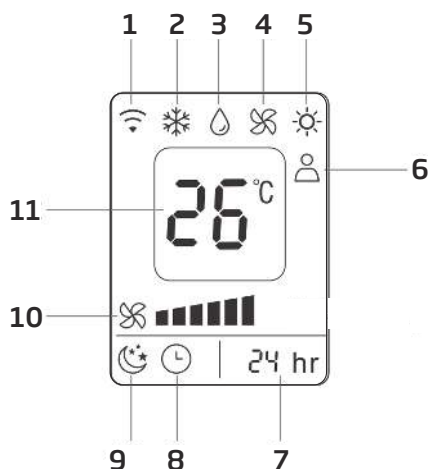


## 5 Fonctionnement de la télécommande



1. Marche/arrêt
2. Augmentation de la température
3. Baisse de la température
4. Minuterie activée/désactivée
5. Mode de fonctionnement
6. Mode sommeil
7. Écran LED du panneau de commande et second écran LED sur la face avant activés/désactivés
8. Vitesse de ventilation (faible, moyenne, élevée)
9. ZoneFollow activé/désactivé

## 5 Fonctionnement de la télécommande



- |                                |   |
|--------------------------------|---|
| 1. Signal du récepteur 📶       | 7. Minuterie  |
| 2. Refroidissement             | 8. Minuterie activée/désactivée                         |
| 3. Fonction déshumidificateur  | 9. Mode sommeil   |
| 4. Ventilateur                 | 10. Vitesse de ventilation<br>(faible, moyenne, élevée) |
| 5. Chauffage (pompe à chaleur) | 11. Affichage de température                            |
| 6. ZoneFollow activé/désactivé |   |



### Remarque :

- Ne laissez pas tomber la télécommande.
- Ne placez pas la télécommande dans un endroit exposé à la lumière directe du soleil.

## 6 Présentation du fonctionnement

Avant de commencer les manipulations de cette section :

1. Trouvez un endroit avec une alimentation électrique à proximité.
2. Comme l'illustrent la Fig. 5 et la Fig. 5a, installez le tuyau d'évacuation et ajustez correctement la position de la fenêtre grâce au kit coulissant ou au kit de calfeutrage inclus.

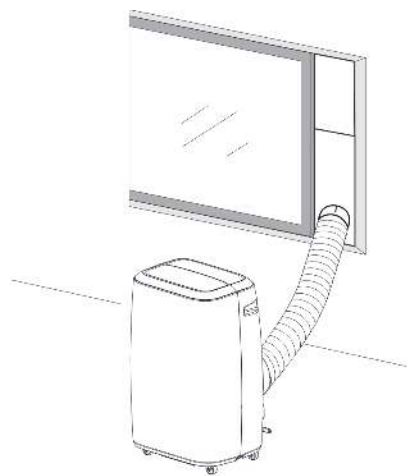


Fig. 5

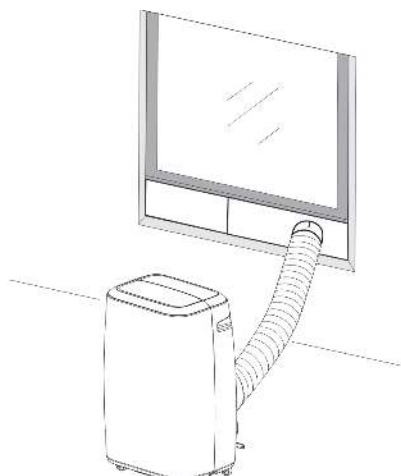


Fig. 5a

3. Raccordez le tuyau de vidange à l'arrière du produit sur le premier orifice (A) uniquement si vous avez beaucoup d'humidité dans votre pièce (en mode refroidissement) ou si vous utilisez les fonctions déshumidificateur ou chauffage.
4. Branchez le cordon d'alimentation dans une prise de courant alternatif 220~240 V/50 Hz mise à la terre ;
5. Appuyez sur la touche Marche/Arrêt pour allumer le climatiseur.

### 6.1 Avant l'utilisation

Remarque :

- Plage de température de fonctionnement :

	Refroidissement maximal	Refroidissement minimal
TS/TM (°C)	35/24	18/12

	Chauffage maximal	Chauffage minimal
TS/TM (°C)	27/---	7/---

## 6 Présentation du fonctionnement

Vérifiez si le tuyau d'évacuation a été monté correctement.

Précautions à prendre pour le refroidissement et la fonction déshumidificateur :

- Lorsque vous utilisez des fonctions en mode refroidissement et en mode déshumidification, maintenez un intervalle d'au moins 3 minutes entre chaque marche/arrêt.
- L'alimentation électrique répond aux exigences.
- La prise doit être utilisée avec un courant alternatif.
- Ne partagez pas la prise avec d'autres appareils.
- L'alimentation varie de 220 à 240 V CA à 50 Hz

### Remarque :

Attention avec le modèle BP113H, vous devez retirer le filtre HEPA 13 pour utiliser la fonction de refroidissement et la fonction déshumidificateur.

### 6.2 Mode de fonctionnement de refroidissement

- Appuyez sur la touche « Mode » (Mode) jusqu'à ce que l'icône du « refroidissement » s'affiche.
- Appuyez sur la touche « Bas » ou « Haut » pour sélectionner la température ambiante souhaitée. (16 °C à 31 °C)
- Appuyez sur la touche « Ventilation » pour sélectionner la vitesse de ventilation.

### 6.3 Fonction déshumidificateur

- Appuyez sur la touche « Mode » (Mode) jusqu'à ce que l'icône de la « déshumidification » s'affiche.
- Réglez automatiquement la température sélectionnée à la température ambiante actuelle moins 2 °C (16 °C à 31 °C)
- Réglez automatiquement le moteur du ventilateur sur faible vitesse de ventilation.

### 6.4 Mode de fonctionnement de ventilation

- Appuyez sur la touche « Mode » (Mode) jusqu'à ce que l'icône du « ventilateur » s'affiche.
- Appuyez sur la touche « Ventilation » pour sélectionner la vitesse de ventilation.

### 6.5 Chauffage (cette fonction n'est pas disponible sur un appareil refroidissant uniquement)

- Appuyez sur la touche « Mode » (Mode) jusqu'à ce que l'icône de « chauffage » s'affiche.
- Appuyez sur la touche « Bas » ou « Haut » pour sélectionner la température ambiante souhaitée. (16 °C à 31 °C)
- Appuyez sur la touche « Ventilation » pour sélectionner la vitesse de ventilation.

## 6 Présentation du fonctionnement

### 6.6 Fonctionnement avec le minuteur

Réglage de la minuterie de mise en marche :

- Lorsque le climatiseur est éteint, appuyez sur la touche « Timer » (Minuterie) et sélectionnez l'heure de mise en marche souhaitée à l'aide des touches de réglage de la température et de l'heure.
- L'heure de mise en marche s'affiche sur le panneau de commande (le climatiseur mobile s'allumera alors dans x heures).
- L'heure de mise en marche peut être réglée à tout moment entre 0 et 24 heures.

Réglage de la minuterie d'arrêt :

- Après avoir réglé l'heure de mise en marche, appuyez une nouvelle fois sur la touche "timer" (minuterie) afin de valider.
- Lorsque le climatiseur est allumé, appuyez sur la touche « Timer » (Minuterie) et sélectionnez l'heure d'arrêt souhaitée à l'aide des touches de réglage de la température et de l'heure.
- L'heure d'arrêt s'affiche sur le panneau de commande (le climatiseur mobile s'éteindra alors dans x heures)
- L'heure d'arrêt peut être réglée à tout moment entre 0 et 24 heures.
- Après avoir réglé l'heure d'arrêt, appuyez une nouvelle fois sur la touche "timer" (minuterie) afin de valider. Attendez 5 secondes puis la température réglée précédemment s'affichera à nouveau sur les deux écrans.

### 6.7 Oscillation automatique activée/désactivée

- Cette fonction n'a pu être réalisée que via l'application Homewhiz.

### 6.8 Mode sommeil

- En mode cooling (refroidissement), appuyez sur la touche Sleep (Sommeil) pour régler la température. Elle augmente de 1 °C au bout d'une heure et de 2 °C maximum au bout de 2 heures.
- En mode heating (chauffage), appuyez sur la touche Sleep (Sommeil) pour régler la température. Elle baisse de 1 °C au bout d'une heure et de 2 °C maximum au bout de 2 heures.
- Appuyez à nouveau sur la touche Sleep (Sommeil) pour annuler le réglage.

### 6.9 Vidange de l'eau

Alarme de réservoir d'eau plein

- Le réservoir d'eau à l'intérieur du climatiseur dispose d'un indicateur de sécurité qui contrôle le niveau d'eau. Lorsque celui-ci atteint une hauteur prévue, le voyant de réservoir d'eau plein s'allume. (Si la pompe à eau est endommagée, lorsque le réservoir est plein, retirez le bouchon en caoutchouc au-dessous de l'appareil, et toute l'eau sera drainée à l'extérieur.)

## 6 Présentation du fonctionnement

### Drainage continu

- Lorsque vous prévoyez de laisser cet appareil inutilisé pendant une longue période, retirez le bouchon en caoutchouc du trou de drainage au-dessous de l'appareil, puis raccordez un tuyau de drainage au clip de fixation inférieur. Toute l'eau du réservoir d'eau s'écoulera à l'extérieur.
- Vous pouvez vidanger l'eau comme indiqué ci-dessus lorsque l'appareil fonctionne en mode chauffage et en mode déshumidification.
- Si la pompe à eau est endommagée, une vidange continue peut être utilisée. Dans ce mode, la pompe à eau n'est pas activée. L'appareil peut également bien fonctionner.  
Si la pompe à eau est endommagée, un drainage intermittent peut également être utilisé. Dans ce mode, lorsque le voyant de réservoir d'eau plein s'allume, raccordez un tuyau de vidange au clip de fixation inférieur. Toute l'eau du réservoir d'eau sera drainée à l'extérieur. L'appareil peut également bien fonctionner.

### 6.10 Fonction sans fil

- Appuyez longuement sur la touche Speed (Vitesse) pendant 5 s pour accéder au mode de configuration sans fil par défaut ;
- L'appareil est connecté au réseau sans fil si le voyant correspondant est allumé, sinon il ne l'est pas. Lorsque le voyant de connexion sans fil clignote lentement, l'appareil est en mode de configuration sans fil. S'il clignote rapidement, l'appareil est connecté au réseau sans fil ;
- Vous pouvez utiliser quasiment toutes les fonctions du climatiseur à l'aide de l'application pour smartphone (HomeWhiz) lorsque le réseau sans fil est connecté.

### 6.11 Fonctionnalité Zone follow (Capteur de température dans la télécommande)

- Vous pouvez activer ou désactiver la fonction Zone follow (Capteur de température) à l'aide de la télécommande ;
- Lorsque cette fonction est activée, l'appareil contrôlera la température de la pièce à l'aide du capteur de température à l'intérieur de la télécommande et ajustera la température en fonction de l'emplacement de celle-ci (le capteur de température ambiante à l'intérieur de l'appareil ne fonctionnera plus)
- Cette fonction sera désactivée si l'appareil n'a pas reçu de signal de la télécommande dans une période de 30 minutes. Il passera au capteur de température ambiante normal à l'intérieur de l'appareil pour contrôler la température.



## 7 Explications relatives à l'installation

### 7.1 Explications relatives à l'installation

- Un climatiseur mobile doit être installé dans un endroit plat sans rien autour. Ne bloquez pas la sortie d'air, et la distance requise tout autour doit être d'au moins 30 cm. (Voir Fig. 8)
- Il ne faut pas l'installer dans un endroit mouillé, par exemple une buanderie.
- Le câblage de la prise doit être conforme aux exigences locales en matière de sécurité électrique.

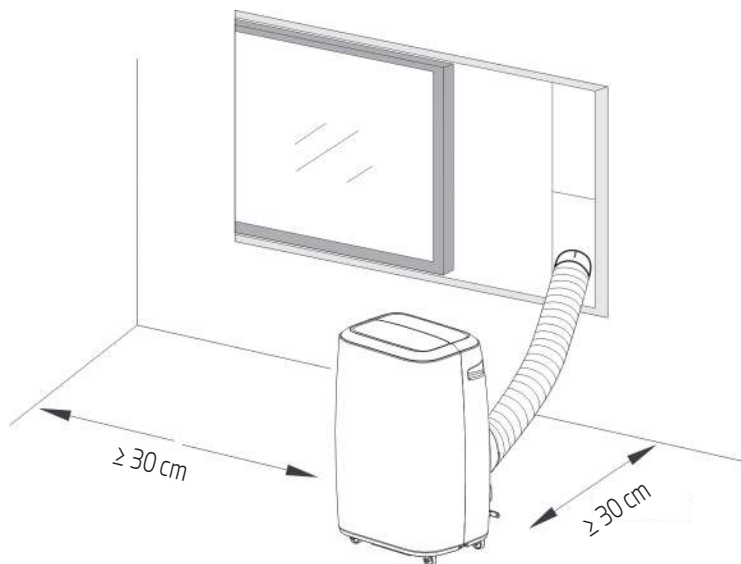


Fig. 8

## 7 Explications relatives à l'installation

### 7.2 Présentation de l'installation du tuyau d'évacuation

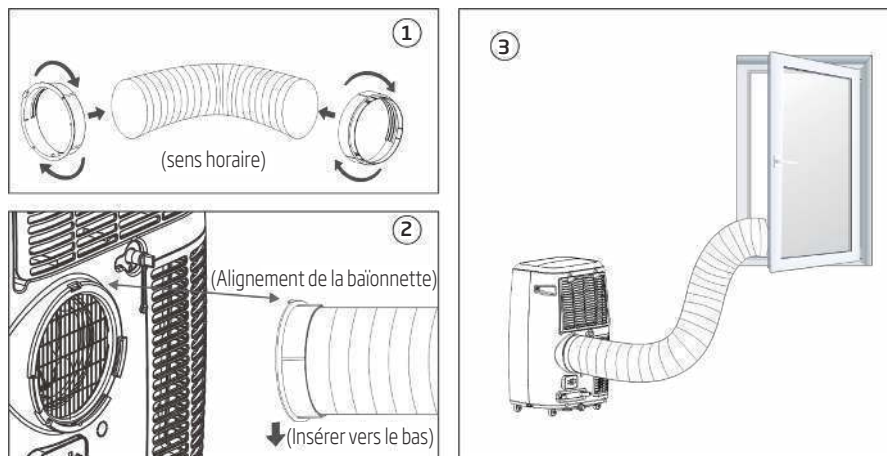


Fig. 9

#### Installation temporaire

1. Insérez les deux extrémités du tuyau d'évacuation en les tordant dans le clip de fixation carré et le clip de fixation plat.
2. Insérez le clip de fixation carré dans les ouvertures à l'arrière du climatiseur (voir Fig. 9).
3. Placez l'autre extrémité du tuyau d'évacuation près d'un rebord de fenêtre.

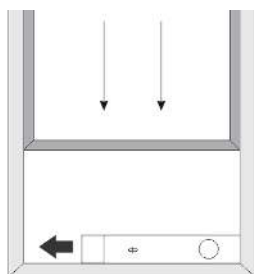
#### Installation du kit coulissant pour fenêtre

Le mode d'installation du kit coulissant de fenêtre est principalement en position « horizontale » et « verticale ». Comme le montrent la Fig. 10 et la Fig. 10a, vérifiez les dimensions minimales et maximales de la fenêtre avant l'installation.

1. Installez le kit coulissant de fenêtre sur la fenêtre (Fig. 10, Fig. 10a) ;
2. Réglez la longueur du kit coulissant de fenêtre en fonction de la largeur ou de la hauteur de la fenêtre. Fixez-le avec la cheville ;
3. Insérez le tuyau du connecteur de fenêtre dans le trou du kit coulissant de fenêtre.

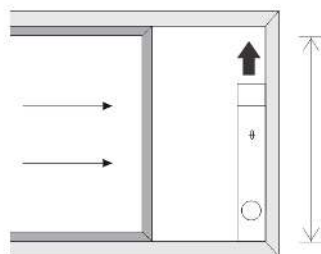
## 7 Explications relatives à l'installation

①



Largeur de la fenêtre  
Min : 67,5 cm  
max : 123 cm

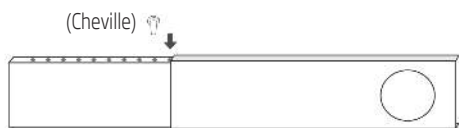
Fig. 10



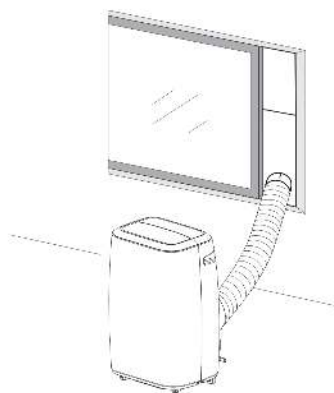
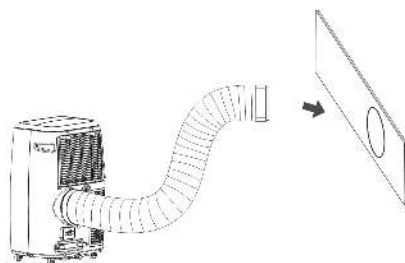
Hauteur de la fenêtre  
Min : 67,5 cm  
max : 123 cm

Fig. 10a

②



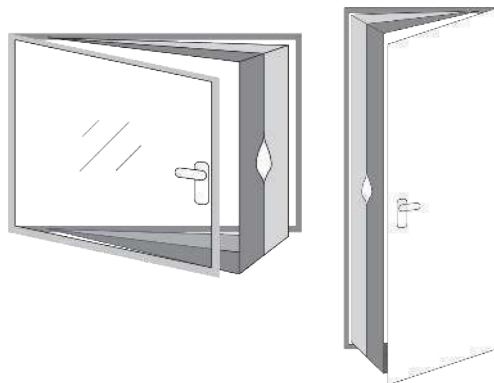
③



## 7 Explications relatives à l'installation

### 7.3 Accessoire : kit de calfeutrage universel pour climatiseur mobile (en option)

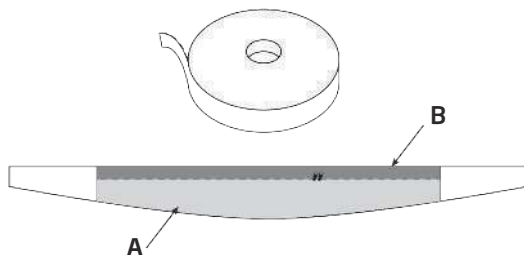
Convient aux fenêtres et aux portes



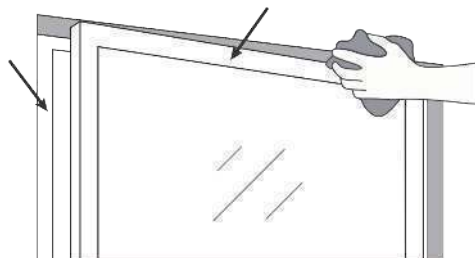
**Inclus dans ce kit :**

1 pièce de tissu (4 m)

1 rouleau de ruban adhésif (9 m)

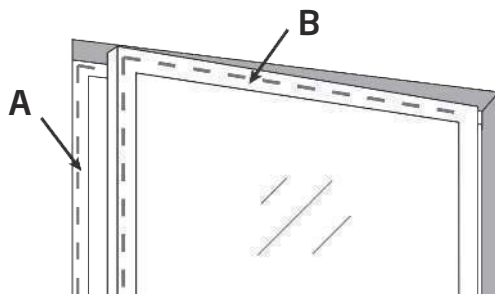


1. Ouvrez la fenêtre puis nettoyez les battants et le cadre avant de coller le ruban agrippant adhésif.

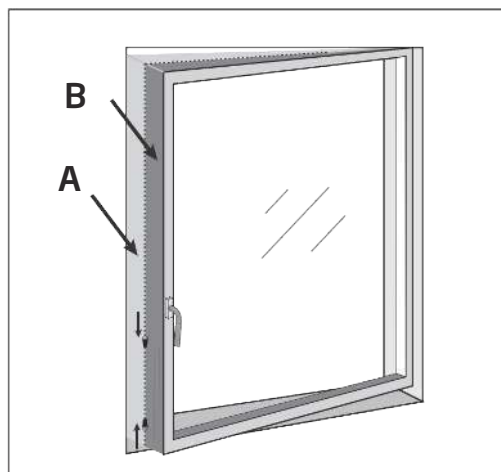


## 7 Explications relatives à l'installation

2. Découpez des grandes bandes de ruban agrippant adhésif aux dimensions de la fenêtre. Collez-les sur le cadre de votre fenêtre puis faites la même chose sur la surface intérieure du battant de la fenêtre (du côté de la poignée).



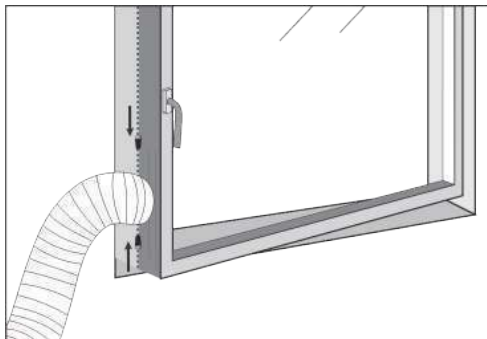
3. Collez le côté le plus large (A) de la grande pièce en tissu blanc sur le cadre de la fenêtre puis collez le côté le plus étroit (B) sur le battant de la fenêtre (côté de la poignée) en partant du centre, puis vers le haut et enfin vers le bas.



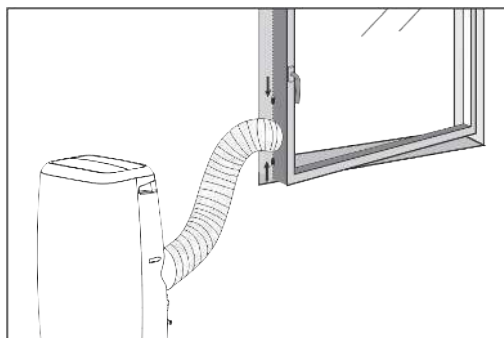
4. Fermez la fenêtre et assurez-vous que la grande pièce en tissu n'est pas coincée dans les joints de fermeture et que la fenêtre se ferme toujours correctement, même avec les bandes de ruban agrippant adhésif.

## 7 Explications relatives à l'installation

5. Ouvrez la fenêtre délicatement et ouvrez la fermeture à glissière de la pièce en tissu (au niveau du bas ou du milieu de la fenêtre) puis introduisez la gaine d'évacuation dans l'ouverture. Réajustez la fermeture à glissière afin que la gaine d'évacuation soit fixée pour ne pas avoir d'échange d'air entre l'intérieur et l'extérieur.



6. Votre kit de calfeutrage est maintenant installé, vous pouvez désormais allumer et profiter de la fraîcheur de votre climatiseur mobile !  
Si vous souhaitez ne plus utiliser votre climatiseur mobile et re fermer votre fenêtre, vous pouvez simplement retirer la gaine de la fermeture à glissière et re fermer votre fenêtre, en vérifiant que la pièce en tissu n'est pas coincée dans les joints de fermeture.



### Remarque :



Si vous disposez d'une fenêtre avec ouverture à la française avec deux battants : Bloquez le premier battant avec la poignée et réalisez l'installation du kit de calfeutrage sur le second battant (sans la poignée).

Avant l'installation, vérifiez que les bandes de ruban agrippant adhésif n'endommagent pas votre fenêtre.

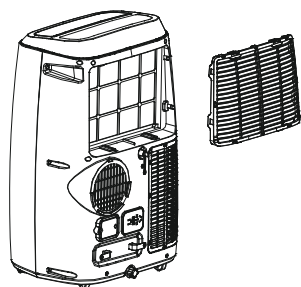
## 7 Explications relatives à l'installation

### 7.4 Utilisation du filtre HEPA 13 (uniquement pour le modèle BP113H)

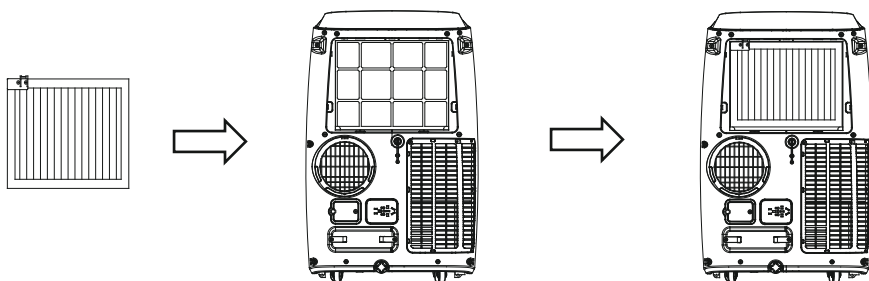
1. Lorsque le filtre HEPA est installé, le voyant du froid s'allume.
2. Dans la fonction purificateur d'air, la fonction de refroidissement et de déshumidification n'est pas valide.
3. Si vous avez besoin d'une fonction de refroidissement et de déshumidification, vous devez retirer le filtre HEPA 13.

Comment mettre le filtre HEPA 13

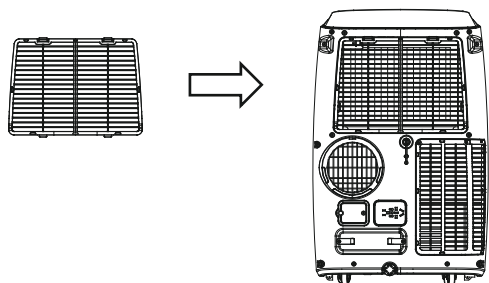
1. Retirez le filtre à air de l'appareil.



2. Mettez le filtre HEPA 13.



3. Remettez le filtre à air de l'appareil.

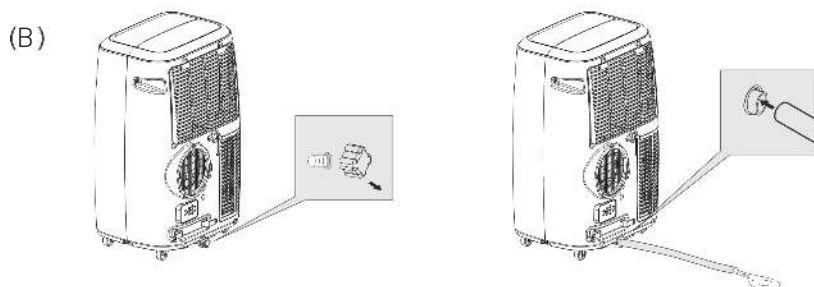
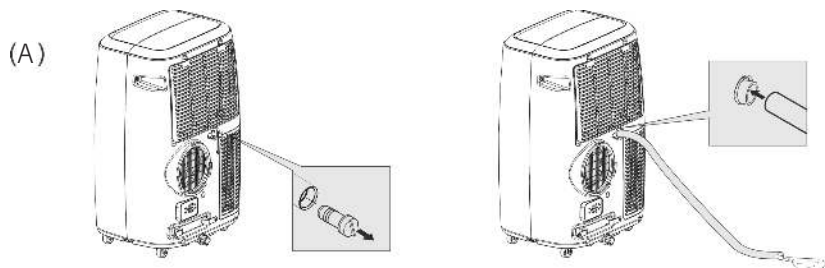


## 7 Explications relatives à l'installation

### 7.5 Alarme de réservoir d'eau plein

Le réservoir d'eau à l'intérieur du climatiseur dispose d'un indicateur de sécurité qui contrôle le niveau d'eau. Lorsque celui-ci atteint une hauteur prévue, le voyant de réservoir d'eau plein s'allume.

(Si la pompe à eau est endommagée, lorsque le réservoir est plein, retirez le bouchon en caoutchouc au-dessous de l'appareil, et toute l'eau sera drainée à l'extérieur.)



Orifice (A) qui est placé en haut, est à utiliser pour extraire l'eau du climatiseur mobile (retirez le bouchon en caoutchouc et ajoutez le tuyau de drainage sur l'orifice) lorsqu'il y a beaucoup d'humidité dans la pièce (en drainage continu) ou lorsque le produit fonctionne en mode déshumidification ou chauffage.

Orifice (B) qui est placé en bas, dispose d'un réservoir et est à utiliser lorsqu'il est nécessaire de vider le réservoir (alarme réservoir d'eau plein). Il suffit de retirer le bouchon en caoutchouc et d'ajouter le tuyau de drainage sur l'orifice pour évacuer l'eau du réservoir.

#### Remarque :



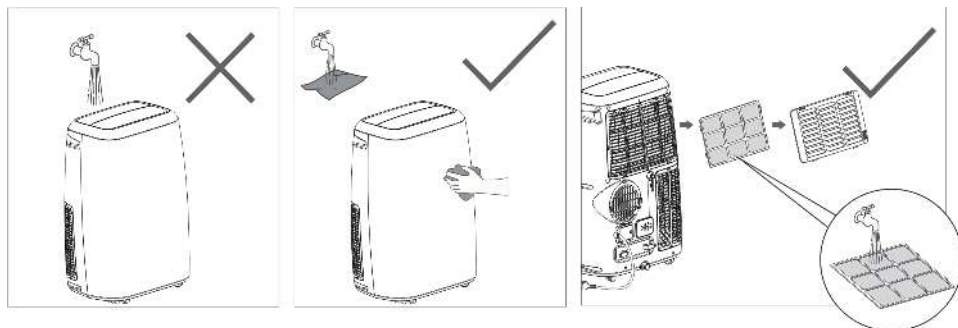
Attention en fonction du remplissage du réservoir d'eau, il y aura parfois beaucoup d'eau à évacuer. Alors l'idéal serait d'ouvrir l'orifice et de le vider en extérieur ou de le vider au-dessus d'une grande bassine pour éviter d'inonder votre pièce.



## 8 Explications sur la maintenance

### Avertissement :

- Débranchez toujours l'appareil avant de le nettoyer ou d'effectuer un entretien.
- N'utilisez pas de liquides ou de produits chimiques inflammables pour nettoyer l'appareil.
- Ne lavez pas le module en le plaçant sous l'eau courante. Cela provoque des dangers d'origine électrique.
- N'utilisez pas l'appareil si l'alimentation électrique a été endommagée pendant le nettoyage. Un cordon d'alimentation endommagé doit être remplacé par un cordon neuf disponible auprès du fabricant.
- Si le climatiseur est endommagé, contactez le revendeur ou un atelier de réparation désigné.



### 8.1 Nettoyage du filtre à air

- Si le filtre à air est obstrué par de la poussière/saleté, le filtre à air doit être nettoyé une fois toutes les deux semaines.
- Démontage  
Ouvrez la grille d'entrée d'air et retirez le filtre à air.
- Nettoyage  
Nettoyez le filtre à air avec un détergent neutre tiède (40 °C) et séchez-le à l'ombre.
- Montage  
En plaçant le filtre à air dans la grille d'entrée, remplacez les composants comme ils étaient.

## 8 Explications sur la maintenance



### **Avertissement :**

Ne faites pas fonctionner l'appareil sans filtre, car la saleté et les peluches l'encrassent et réduisent les performances.

### **8.2 Nettoyage du climatiseur**

Nettoyez d'abord la surface avec un détergent neutre et un chiffon humide, puis essuyez-la avec un chiffon sec.

## 9 Entretien

### Conseils d'entretien

Veillez à nettoyer le filtre à air toutes les 2 semaines pour des performances optimales.

Le bac collecteur d'eau doit être vidé immédiatement après l'erreur P1 et avant tout entreposage pour éviter la formation de moisissure.

Dans les habitations ayant des animaux, vous devrez régulièrement essuyer la grille afin d'éviter que le flux d'air ne soit bloqué par des poils d'animaux.

### Nettoyage du climatiseur mobile

Nettoyez l'appareil à l'aide d'un chiffon humide non pelucheux et d'un détergent neutre. Séchez l'appareil en utilisant un chiffon sec non pelucheux.

### Entreposez l'appareil lorsqu'il n'est pas utilisé

Videz son bac collecteur d'eau en suivant les instructions de la section suivante.

Faites fonctionner l'appareil en mode Fan (ventilateur) pendant 12 heures dans une pièce chaude afin de le sécher et d'éviter toute formation de moisissure.

Éteignez l'appareil et débranchez-le.

Nettoyez le filtre à air conformément aux instructions de la section précédente. Réinstallez le filtre à air séché et propre avant d'entreposer l'appareil.

Retirez les piles de la télécommande.

Veillez à entreposer l'appareil dans un endroit sombre et frais. L'exposition directe au soleil ou à une chaleur extrême peut réduire sa durée de vie.



**Remarque :** La poussière sur le panneau avant peut être enlevée à l'aide d'un chiffon sans huile ou lavée avec un chiffon imbibé d'une solution d'eau tiède et d'un liquide vaisselle doux. Rincez soigneusement et essuyez. N'utilisez jamais de nettoyeurs forts, de cire ou de lustre sur la façade du boîtier. Veillez à bien essorer le chiffon avant d'essuyer le panneau de commande. Un excès d'eau dans ou autour du panneau de commande peut endommager l'appareil.

## 10 Dépannage

Pannes	Causes possibles	Solutions proposées
1. L'appareil ne se met pas en marche lorsque l'on appuie sur la touche marche/arrêt	- Le voyant de remplissage clignote lorsque le réservoir d'eau est plein.	Videz l'eau du réservoir.
	- La température ambiante est supérieure à la température de consigne. (Mode chauffage)	Redéfinissez la température
	- La température ambiante est inférieure à la température de consigne. (mode refroidissement)	Redéfinissez la température
2. L'appareil ne refroidit pas suffisamment	- Les portes ou fenêtres ne sont pas fermées.	Assurez-vous que toutes les fenêtres et portes de la pièce sont bien fermées.
	- Il y a des sources de chaleur présentes dans la pièce.	Si possible, retirez les sources de chaleur
	- Le tuyau d'air d'évacuation n'est pas connecté ou bloqué.	Raccordez ou nettoyez le tuyau d'air d'échappement.
	- Le réglage de la température est trop élevé.	Redéfinissez la température
	- L'entrée d'air est bloquée.	Nettoyez le filtre à air.
3. Bruit	- Le sol n'est pas nivelé ou n'est pas assez plat	Si possible, placez l'appareil sur un sol plat et nivelé
	- Le son provient de la circulation du fluide réfrigérant contenu à l'intérieur du climatiseur	Ceci est tout à fait normal.
4. Code E0	Panne du capteur de température ambiante	Remplacez le capteur de température ambiante (l'appareil peut également fonctionner sans qu'il soit remplacé.)
5. Code E1	Panne du capteur de température du condenseur	Remplacez le capteur de température du condenseur
6. Code E2	Réservoir d'eau plein pendant le refroidissement	Retirez le bouchon en caoutchouc et videz l'eau.
7. Code E3	Panne du capteur de température de l'évaporateur	Remplacez le capteur de température de l'évaporateur
8. Code E4	Réservoir d'eau plein pendant le chauffage	Videz le réservoir d'eau.



**Remarque :** Les produits achetés peuvent sembler différents.

## 11 Directives européennes concernant la mise au rebut

Il faut tenir compte des informations suivantes lors de l'utilisation de cet appareil dans les pays européens :

Mise au rebut : Ne jetez pas ce produit comme un déchet ménager non trié. Veuillez effectuer le tri de ces ordures pour un traitement adapté si nécessaire.

Il est interdit de jeter cet appareil avec les déchets ménagers.

Il existe plusieurs possibilités pour l'élimination :

- L'administration municipale a mis en place des systèmes de collecte permettant à leurs usagers de remettre gratuitement leurs déchets électroniques.
- En cas d'achat d'un nouveau produit, le revendeur a souvent la possibilité de reprendre l'ancien appareil gratuitement à son propriétaire.
- Le constructeur a souvent la possibilité de reprendre l'ancien appareil gratuitement à son propriétaire afin de l'éliminer.
- L'ancien produit contient des matières premières précieuses pouvant être vendues aux vendeurs de ferraille.

Une élimination sauvage des déchets dans les forêts et la nature constitue une menace sanitaire si des produits dangereux parviennent dans la nappe phréatique en se frayant ainsi un chemin dans la chaîne alimentaire.



Ce symbole indique que ce produit ne doit pas être jeté avec les déchets ménagers à la fin de sa vie. Les appareils usagés doivent être retournés au point de collecte officiel destiné au recyclage des appareils électriques et électroniques. Pour trouver ces systèmes de collecte, veuillez contacter les autorités locales ou le détaillant auprès duquel vous avez acheté le produit. Chaque ménage joue un rôle important dans la récupération et le recyclage des appareils ménagers usagés. L'élimination appropriée des appareils usagés aide à prévenir les conséquences négatives potentielles pour l'environnement et la santé humaine.

## 12 Instructions d'installation

### 12.1 Consignes de la F-Gaz

Ce produit contient des gaz à effet de serre fluorés.

Les gaz à effet de serre fluorés sont contenus dans un dispositif hermétiquement scellé.

Les opérations d'installation, d'entretien, de maintenance, de réparation, de vérifications de fuites éventuelles, de mise hors service des équipements obsolètes ainsi que de recyclage des produits doivent être effectuées par une personne physique certifiée.

Si le système est doté d'un dispositif de détection des fuites, des vérifications de fuites éventuelles doivent être effectuées au moins une fois par an, afin de s'assurer que le système fonctionne correctement.

Si le produit doit faire l'objet de vérifications de fuites éventuelles, il est recommandé de mentionner le cycle d'inspection, et d'établir et sauvegarder les comptes rendus des vérifications effectuées.



**Remarque :** Si l'équivalent en CO<sub>2</sub> des gaz à effet de serre fluorés contenus dans les équipements hermétiquement scellés, les climatiseurs mobiles, les climatiseurs fixes ainsi que les déshumidificateurs, est inférieur à 10 tonnes, nul besoin d'effectuer des vérifications de fuites éventuelles.

## 13 Spécifications

Nom de modèle Beko	BP109C	BP112C	BP112H	BP113H	BP109AC	BP109AH
Gaz réfrigérant	R290	R290	R290	R290	R290	R290
Quantité totale de gaz réfrigérant (g)	212	226	226	225	230	230
Classe climatique	T1	T1	T1	T1	T1	T1
Capacité de refroidissement (Btu/h)	8 871	11 942	11 942	12 966	8 530	8 530
Capacité de refroidissement (W)	2 600	3 500	3 500	3 800	2 500	2 500
Capacité de chauffage (Btu/h)	-	-	8 871	10 577	-	7 165
Capacité de chauffage (W)	-	-	2 600	3 100	-	2 100
Efficacité énergétique en mode refroidissement (W/W) -EER	2,60	2,60	2,60	2,60	3,10	3,10
Efficacité énergétique chaud en mode chauffage (W/W) -COP	-	-	2,30	2,30	-	2,60
Consommation d'énergie-refroidissement	A (UE 626/2011)	A (UE 626/2011)	A (UE 626/2011)	A (UE 626/2011)	A+ (UE 626/2011)	A+ (UE 626/2011)
Consommation d'énergie-chauffage	-	-	A (UE 626/2011)	A (UE 626/2011)	-	A+ (UE 626/2011)
Puissance absorbée en mode refroidissement (W)	1 000	1 346	1 346	1 462	806	806
Puissance absorbée en mode chauffage (W)	-	-	1 130	1 348	-	807
Tension/Fréquence (V/Hz)	220-240V~/50Hz	220-240V~/50Hz	220-240V~/50Hz	220-240V~/50Hz	220-240V~/50Hz	220-240V~/50Hz
Niveau sonore (dBA) (Puissance sonore)	65/63/61	65/63/61	65/63/61	65/63/61	65/63/61	65/63/61
Niveau sonore (dBA) (Pression sonore)	52/50/48	52/50/48	52/50/48	52/50/48	52/50/48	52/50/48
Débit d'air maximal (m <sup>3</sup> /h)	380	380	380	440	380	380
Humidité supprimée (L/h)	1,0	1,2	1,2	1,5	1,0	1,0
Plage de température de fonctionnement en mode refroidissement (°C)	18 °C à 35 °C	18 °C à 35 °C	18 °C à 35 °C	18 °C à 35 °C	18 °C à 35 °C	18 °C à 35 °C
Plage de températures de fonctionnement en mode chauffage (°C)	-	-	7 °C à 27 °C	7 °C à 27 °C	-	7 °C à 27 °C

## 13 Spécifications

1. Les spécifications sont des valeurs standard calculées sur la base des conditions de fonctionnement nominales. Elles varient selon les différentes conditions de fonctionnement.
2. Notre entreprise développe rapidement de nouvelles améliorations techniques. Les modifications des données techniques ne feront pas l'objet d'un préavis. Veuillez vous reporter à la plaque signalétique apposée sur le climatiseur.
3. La valeur nominale est testée sous 35/24 (entrée) et 35/24 (sortie).





# Leggere prima il presente manuale.

Gentile Cliente,


grazie per aver scelto un prodotto Beko. Ci auguriamo che lei ottenga i migliori risultati dal suo prodotto, realizzato secondo elevati standard di qualità e con una tecnologia all'avanguardia. Pertanto, legga attentamente tutto il manuale e tutti i documenti di accompagnamento, prima di utilizzare il prodotto, e li conservi per riferimento futuro. Se cede il prodotto a qualcun altro, gli fornisca anche il manuale dell'utente. Segua tutte le avvertenze e le informazioni riportate nel manuale dell'utente.

## Significato dei simboli

I seguenti simboli sono utilizzati in diverse sezioni di questo manuale:


	Informazioni importanti o suggerimenti pratici sull'utilizzo.
--	---

	Avvertenza: situazioni di pericolo relative a vita e proprietà.
--	---


	Avvertenza: operazioni da non eseguire.
--	---

	Attenzione alle scosse elettriche.
--	------------------------------------

	Attenzione alle superfici calde.
---	----------------------------------

	Non coprirlo.
--	---------------

	Questo simbolo indica che il manuale operativo deve essere letto con attenzione.
--	--

	Questo simbolo indica che il personale addetto all'assistenza deve maneggiare questo dispositivo con riferimento al manuale di installazione.
---	---

	Questo simbolo indica che questo dispositivo usa un refrigerante infiammabile. Se il refrigerante perde ed è esposto a una fonte di ignizione esterna, c'è un rischio di incendio.
--	--



Il presente prodotto è stato realizzato in strutture ecosostenibili e moderne

# Sommario

<b>1</b>	<b>Informazioni sulla sicurezza</b>	<b>117</b>
<b>2</b>	<b>Nome dei componenti</b>	<b>143</b>
<b>3</b>	<b>Accessori</b>	<b>144</b>
<b>4</b>	<b>Aspetto e funzioni del pannello di controllo</b>	<b>145</b>
4.1	Modello solo raffreddamento (non reversibile) .....	145
4.2	Modello raffreddamento e pompa di calore (reversibile).....	146
<b>5</b>	<b>Aspetto e funzioni del telecomando</b>	<b>147</b>
<b>6</b>	<b>Funzionamento</b>	<b>149</b>
6.1	Prima dell'uso.....	149
6.2	Modalità raffreddamento .....	150
6.3	Modalità deumidificatore .....	150
6.4	Modalità Ventilazione .....	150
6.5	Modalità di riscaldamento (questa funzione non è disponibile per le unità di solo raffreddamento) .....	150
6.6	Modalità Timer .....	151
6.7	Oscillazione automatica .....	151
6.8	Modalità Notturna.....	151
6.9	Drenaggio dell'acqua.....	151
6.10	Funzione wireless  .....	152
6.11	Funzione Zone follow (Temperatura zona) .....	152
<b>7</b>	<b>Informazioni sull'installazione</b>	<b>153</b>
7.1	Informazioni sull'installazione .....	153
7.2	Introduzione all'installazione del tubo di scarico .....	154
7.3	Kit di coibentazione universale per condizionatore portatile (opzionale) .....	156
7.4	Uso del filtro Hepa 13 (solo modello BP113H).....	159
7.5	Allarme vaschetta dell'acqua piena .....	160

# Sommario

---

<b>8 Manutenzione</b>	<b>161</b>
8.1 Pulire il filtro dell'aria .....	161
8.2 Pulire la superficie del condizionatore. ....	162
<b>9 Manutenzione</b>	<b>163</b>
<b>10 Risoluzione dei problemi</b>	<b>164</b>
<b>11 Normative europee per lo smaltimento</b>	<b>165</b>
<b>12 Istruzioni per l'installazione</b>	<b>166</b>
12.1 Istruzioni per i gas fluorurati .....	166
<b>13 Specifiche tecniche</b>	<b>167</b>

---

## 1 Informazioni sulla sicurezza

### Estremamente importante

Non installare o utilizzare il Condizionatore d'aria mobile prima di aver letto attentamente il presente manuale. Conservare il manuale di istruzioni per un eventuale garanzia sul prodotto e per riferimento futuro.

### Attenzione

Non utilizzare mezzi di accelerazione del processo di sbrinamento o per la pulizia che non sia quelli consigliati dal produttore.

L'apparecchio deve essere conservato in una stanza senza fonti di ignizione a funzionamento continuo (ad esempio: fiamme libere, un apparecchio a gas in funzione o un riscaldatore elettrico in funzione).

Non perforare né bruciare.

Siate consapevoli del fatto che i refrigeranti potrebbero non avere un odore.

L'apparecchio deve essere installato, messo in funzione e conservato in una stanza con una superficie del suolo più grande di X m<sup>2</sup>.

Modello	X (m <sup>2</sup> )
9000Btu/h, 10000Btu/h, 12000Btu/h, 13000Btu/h	12

### Avvertenza (per R290)

Informazioni specifiche concernenti gli apparecchi con gas refrigerante R290.

- Leggere attentamente tutte le avvertenze.
- Quando si sbrina e pulisce l'apparecchio, non utilizzare strumenti diversi da quelli consigliati dal produttore.
- L'apparecchio deve essere collocato in un'area priva di fonti di accensione (ad esempio: fiamme libere, apparecchi a gas o elettrici in funzionamento).
- Non perforare e non gettare nelle fiamme.
- Questo apparecchio contiene Y g (consultare l'etichetta nominale sul retro dell'unità) del gas refrigerante R290.
- L'R290 è un gas refrigerante conforme alle direttive europee sull'ambiente. Non perforare alcuna parte del circuito refrigerante.
- Se l'apparecchio è installato, utilizzato o conservato in una zona non ventilata, la stanza deve essere progettata in modo da evitare l'accumulo di perdite di refrigerante onde evitare il rischio di incendi o esplosioni dovuti all'accensione del gas stesso provocata da caloriferi elettrici, stufe o altre fonti di ignizione.
- L'apparecchio deve essere conservato in modo da evitare guasti meccanici.
- Chiunque utilizzi o lavori sul circuito refrigerante deve disporre di una certificazione adeguata emessa da un'organizzazione accreditata che garantisca le competenze nella manipolazione dei refrigeranti in conformità con una specifica valutazione riconosciuta da associazioni del settore.

## 1 Informazioni sulla sicurezza

- Le riparazioni devono essere eseguita in base a quanto indicato dall'azienda produttrice. La manutenzione e le riparazioni che richiedono l'assistenza di altro personale qualificato saranno eseguite sotto la supervisione di una persona competente nell'uso di refrigeranti infiammabili.

### Istruzioni generali per la sicurezza

1. L'apparecchio è destinato solo all'uso in interni.
2. Non utilizzare l'unità su una presa non funzionante o non installata correttamente.
3. Nei seguenti casi non utilizzare l'unità e attenersi alle seguenti precauzioni:
  - A: In prossimità di fonti di incendio.
  - B: In una zona dove possano prodursi schizzi d'olio.
  - C: In una zona esposta alla luce solare diretta.
  - D: In una zona dove possano prodursi schizzi d'acqua.
  - E: In prossimità di bagni, lavanderie, docce o piscine.
4. Non inserire dita o bastoni nell'uscita dell'aria. Prendere particolari precauzioni avvertendo i bambini di questi pericoli.
5. Tenere l'unità rivolta verso l'alto durante trasporto e lo stoccaggio, in modo da posizionare adeguatamente il compressore.
6. Prima di pulire il condizionatore, spegnerlo sempre o scollegare l'alimentazione.
7. Quando si sposta il condizionatore, spegnerlo sempre o scollegare l'alimentazione, muovendolo lentamente.

## 1 Informazioni sulla sicurezza

8. Per scongiurare il rischio di incendi, non coprire il condizionatore.
9. Tutte le prese del condizionatore devono essere omologate in conformità ai requisiti per la sicurezza elettrica locali. Se necessario, verificare quali sono i requisiti.
10. I bambini devono essere sorvegliati per assicurarsi che non giochino con l'elettrodomestico.
11. Se il cavo di alimentazione è danneggiato, deve essere sostituito dal produttore, dal servizio di assistenza o da personale qualificato al fine di evitare rischi.
12. Questo elettrodomestico può essere utilizzato dai bambini dagli 8 anni in su e dalle persone con capacità fisiche, sensoriali o mentali ridotte, anche in caso di mancata esperienza o conoscenza, solo se controllati e istruiti all'uso sicuro dell'elettrodomestico e informati sui possibili rischi. Non consentire ai bambini di giocare con l'apparecchio. La pulizia e la manutenzione non devono essere effettuate dai bambini senza sorveglianza.
13. L'elettrodomestico deve essere installato in conformità con le normative di cablaggio nazionali.
14. Dettagli sul tipo e la tensione nominale dei fusibili: T, 250 V CA, 2 A o superiore.
15. Contattare il tecnico autorizzato al servizio di assistenza per la riparazione o la manutenzione di questa unità.
16. Non tirare, deformare o alterare il cavo di alimentazione, né immergerlo in liquidi. Tirando o utilizzando in modo improprio il cavo di alimentazione, l'unità potrebbe danneggiarsi provocando folgorazioni.



## 1 Informazioni sulla sicurezza

17. Occorre osservare la conformità con la normativa nazionale sul gas.
18. Mantenere le prese d'aria libere da ostruzioni.
19. Eventuali addetti ai lavori con il circuito refrigerante devono detenere un certificato valido recente da un'autorità di valutazione accreditata del settore, che autorizzi le competenze nel gestire in modo sicuro i refrigeranti in conformità con le specifiche di valutazione riconosciute dal settore.
20. La manutenzione deve essere effettuata come raccomandato dal produttore del dispositivo. Manutenzione e riparazioni che richiedono l'assistenza di altro personale qualificato saranno eseguite sotto la supervisione di una persona competente nell'uso di refrigeranti infiammabili.
21. Non utilizzare o spegnere l'unità inserendo o estraendo il cavo di alimentazione in quanto ciò può causare folgorazioni o incendi a causa della generazione di calore.
22. Scollegare l'unità nel caso in cui si avvertano rumori o odori strani, oppure se fuoriesce del fumo dall'unità.
23. Questo elettrodomestico non è destinato all'utilizzo da parte di persone (compresi i bambini) con capacità fisiche, sensoriali o mentali ridotte o che non posseggono la dovuta esperienza e conoscenza, a meno che non siano controllate o istruite all'uso dell'elettrodomestico da una persona responsabile della loro sicurezza.
24. Se il cavo di alimentazione si danneggia, è necessario sostituirlo tramite il produttore o un suo agente o personale qualificato onde evitare pericoli.

## 1 Informazioni sulla sicurezza

25. Sull'apparecchio deve essere indicato l'isolamento dell'interruttore differenziale (RCD) avente una corrente di esercizio residua non superiore a 30 mA.
26. Questo apparecchio è destinato all'uso in ambito domestico e in applicazioni similari, quali
- zone cucina riservate al personale in negozi, uffici e altri ambienti lavorativi;
  - fattorie;
  - da parte dei clienti in alberghi, motel e altri ambienti di tipo residenziale;
  - ambienti simili a bed and breakfast;

Sull'apparecchio deve essere indicato l'isolamento dell'interruttore differenziale (RCD) avente una corrente di esercizio residua non superiore a 30 mA.

### 27. Dichiarazione di impedenza

Questi apparecchi possono essere collegati solo ad un'alimentazione con impedenza di sistema non superiore a  $0,367\Omega$ .

In caso di necessità, consultare il fornitore per informazioni sull'impedenza di sistema.

## 1 Informazioni sulla sicurezza



### Nota:

- Se sono presenti parti danneggiate, rivolgersi al rivenditore o a un punto di riparazione designato;
- In caso di danni, spegnere l'interruttore dell'aria, scollegare il cavo di alimentazione e rivolgersi al rivenditore o a un punto di riparazione designato;
- In qualunque caso, il cavo di alimentazione deve essere saldamente collegato a terra.
- Per scongiurare la possibilità di pericoli, se il cavo di alimentazione è danneggiato, spegnere l'interruttore del condizionatore e scollegare il cavo di alimentazione. Deve essere sostituito dal rivenditore o da un punto di riparazione designato.



### **Avvertenze (solo per l'utilizzo del refrigerante R290)**

#### **1. Istruzioni generali**

##### 1.1 Controlli dell'area

Prima di iniziare l'intervento sui sistemi contenenti refrigeranti infiammabili, sono necessari controlli di sicurezza per garantire di ridurre al minimo il rischio di combustione. Per la riparazione del sistema di refrigerazione, attenersi alle precauzioni prima di effettuare interventi sul sistema.

##### 1.2 Procedura di lavoro

I lavori devono essere eseguiti in una procedura controllata in modo da ridurre al minimo il rischio che un gas infiammabile o vapore sia presente durante l'esecuzione del lavoro.

##### 1.3 Area di lavoro generale

Tutto il personale di manutenzione e gli altri che lavorano nell'area locale devono essere istruiti sulla natura del lavoro svolto. Il lavoro in spazi ristretti deve essere evitato. L'area intorno allo spazio di lavoro deve essere sezionata. Assicurarsi che le condizioni all'interno dell'area siano state rese sicure dal controllo del materiale infiammabile.

##### 1.4 Controllo della presenza di refrigerante

L'area deve essere controllata con un rilevatore di refrigerante adeguato prima e durante il lavoro, per assicurarsi che il tecnico sia consapevole della presenza di ambienti potenzialmente infiammabili. Assicurarsi che le apparecchiature di rilevamento delle perdite in uso siano adatte per l'uso con refrigeranti infiammabili, ovvero senza scintille, adeguatamente sigillate o a sicurezza intrinseca.

## 1 Informazioni sulla sicurezza

### 1.5 Presenza di estintori

Se si deve effettuare un intervento a caldo nelle apparecchiature di refrigerazione o in qualsiasi parte associata, tenere a portata di mano dispositivi antincendio. Tenere un estintore a polvere asciutta o con CO<sub>2</sub> nei pressi dell'area di carica.

### 1.6 Nessuna fonte di combustione

Il personale che interviene in un sistema di refrigerazione esponendo le tubazioni che contengono o hanno contenuto refrigerante infiammabile non deve utilizzare fonti di combustione in modo che possa comportare il rischio di incendio o esplosione. Il personale non deve essere fumare durante l'intervento. Tutte le possibili fonti di combustione, comprese fumare, devono essere tenuti sufficientemente lontane dal sito di installazione, riparazione, rimozione e smaltimento, durante il quale il refrigerante infiammabile può essere rilasciato nello spazio circostante. Prima dell'intervento, è necessario controllare l'area intorno alle apparecchiature per assicurarsi che non vi siano pericoli infiammabili o rischi di combustione. Devono essere apposti cartelli di "Vietato fumare".

### 1.7 Area ventilata

Assicurarsi che l'area sia aperta o venga adeguatamente ventilata prima di intervenire nel sistema o effettuare qualsiasi intervento a caldo. Fornire un grado di ventilazione continua durante il periodo dell'intervento. La ventilazione deve disperdere in modo sicuro il refrigerante rilasciato e preferibilmente espellerlo all'esterno nell'atmosfera.

### 1.8 Controlli alle apparecchiature di refrigerazione

I componenti elettrici sostituiti devono essere idonei allo scopo e alle specifiche corrette. Attenersi sempre alle linee guida di manutenzione e assistenza del produttore. In caso di dubbi rivolgersi al reparto tecnico del produttore per assistenza. I seguenti controlli devono essere applicati agli impianti che utilizzano refrigeranti infiammabili: la quantità di carica deve essere conforme alle dimensioni della stanza in cui sono installate le parti contenenti refrigerante; i meccanismi e le prese di ventilazione devono funzionare in modo adeguato e non devono essere ostruiti; se viene utilizzato un circuito di refrigerazione indiretta, il circuito secondario deve essere controllato per verificare la presenza di refrigerante; i contrassegni sull'apparecchiatura devono essere sempre visibili e leggibili. I contrassegni e i segni illeggibili devono essere corretti; il tubo o i componenti di refrigerazione sono installati in una posizione in cui è improbabile che possano essere esposti a qualsiasi sostanza che possa corrodere componenti contenenti refrigerante, a meno che i componenti non siano realizzati con materiali che sono intrinsecamente resistenti alla corrosione o adeguatamente protetti da corrosione.

# 1 Informazioni sulla sicurezza

## 1.9 Controlli ai dispositivi elettrici

La riparazione e la manutenzione di componenti elettrici comprendono controlli di sicurezza iniziali e procedure di ispezione dei componenti. In presenza di un guasto che potrebbe compromettere la sicurezza, l'alimentazione elettrica non deve essere collegata al circuito finché il guasto non viene riparato in modo soddisfacente. Se il guasto non può essere riparato immediatamente, ma è necessario continuare l'operazione, adottare un'adeguata soluzione temporanea. Il proprietario del materiale deve essere informato o avvisato in modo che possa avvisare tutti. I controlli di sicurezza iniziali devono comprendere: lo scaricamento dei condensatori: questa operazione deve essere eseguita in modo sicuro per evitare scintille; non devono esservi componenti elettrici sotto tensione e cavi scoperti durante la carica, il recupero o lo spurgo del sistema; la messa a terra deve essere continua.

## 2. Riparazioni ai componenti sigillati

2.1 Durante le riparazioni ai componenti sigillate, scollegare tutta l'alimentazione elettrica dalle apparecchiature da sottoporre ad intervento prima della rimozione delle coperture sigillate, ecc. Se è assolutamente necessario disporre di alimentazione elettrica sulle apparecchiature durante la manutenzione, collocare un rilevatore di perdite sempre attivo nel punto più critico per avvertire di una situazione potenzialmente pericolosa.

## 1 Informazioni sulla sicurezza

2.2 Prestare particolare attenzione a quanto segue per garantire che, intervenendo sui componenti elettrici, l'alloggiamento non viene alterato in modo tale da influire negativamente sul livello di protezione. Ciò include danni ai cavi, un numero eccessivo di collegamenti, terminali non conformi alle specifiche originali, danni alle guarnizioni, un'installazione non corretta delle guarnizioni, ecc. Assicurarsi che gli apparecchi siano montati saldamente. Assicurarsi che le guarnizioni o i materiali di tenuta non siano degradati in modo da essere inutilizzabili per impedire l'ingresso di atmosfere infiammabili. Le parti di ricambio devono essere conformi alle specifiche del produttore.



**Nota:** L'uso di sigillante siliconico potrebbe inibire l'efficacia di alcuni tipi di apparecchiature di rilevamento di perdite. I componenti a sicurezza intrinseca non devono essere isolati prima di intervenire su di essi.

### 3. Riparazione di componenti a sicurezza intrinseca

Non applicare carichi induttivi o capacitivi permanenti al circuito senza garantire che non superino la tensione ammissibile e la corrente consentita per le apparecchiature in uso.

I componenti a sicurezza intrinseca sono gli unici su cui si può intervenire mentre sono sotto tensione in presenza di un'atmosfera infiammabile. Le apparecchiature di test devono disporre di una portata nominale adeguata. Sostituire i componenti solo con i ricambi specificati dal produttore. Le parti non specificate dal produttore possono provocare la combustione di refrigerante nell'atmosfera a causa di una perdita.



### **4. Cablaggio**

Controllare che il cablaggio non sarà soggetto ad usura, corrosione, pressione eccessiva, vibrazioni, bordi taglienti o altri effetti negativi sull'ambiente. Il controllo deve inoltre tener conto degli effetti dell'invecchiamento o delle vibrazioni continue provenienti da fonti quali compressori o ventilatori.

### **5. Rilevamento di refrigeranti infiammabili**

In nessun caso le potenziali fonti di combustione devono essere utilizzate per la ricerca o il rilevamento di perdite di refrigerante. Non si deve utilizzare una torcia alogena (o qualsiasi altro rivelatore che utilizza una fiamma libera).

### 6. Metodi di rilevamento perdite

I rilevatori elettronici di perdite devono essere utilizzati per individuare i refrigeranti infiammabili, ma la sensibilità potrebbe non essere adeguata o potrebbe essere necessaria I rilevatori elettronici di perdite devono essere utilizzati per rilevare i refrigeranti infiammabili, ma la sensibilità potrebbe non essere adeguata oppure potrebbero necessitare di una ricalibrazione (le apparecchiature di rilevamento devono essere calibrate in un'area priva di refrigerante). Assicurarsi che il rivelatore non sia una fonte potenziale di combustione e sia adatto per il refrigerante utilizzato. Le apparecchiature di rilevamento di perdite devono essere impostate ad una percentuale di LFL del refrigerante e calibrato in base al refrigerante impiegato e la percentuale appropriata di gas (25% massimo) deve essere verificata. I fluidi di rilevamento delle perdite sono adatti per l'uso con la maggior parte dei refrigeranti, ma si deve evitare l'uso di detergenti a base di cloro in quanto il cloro potrebbe reagire con il refrigerante e corrodere le tubazioni di rame. Se si sospetta una fuga, tutte le fiamme libere devono essere rimosse/spente. In caso di perdita di refrigerante che richiede brasatura, tutto il refrigerante viene recuperato dal sistema o isolato (tramite valvole di isolamento) in una parte del sistema lontana dalla perdita. L'azoto esente da ossigeno (OFN) viene quindi spurgato attraverso il sistema sia prima che durante il processo di brasatura.

### 7. Rimozione ed evacuazione

Quando si interviene sul circuito refrigerante per effettuare le riparazioni o per qualsiasi altro scopo, utilizzare procedure convenzionali. Tuttavia, è importante osservare le migliori prassi tenendo in considerazione l'infiammabilità. Attenersi alla seguente procedura: rimuovere il refrigerante; spurgare il circuito con gas inerte; svuotare; spurgare di nuovo con gas inerte; interrompere il circuito tramite intercettazione o brasatura. La carica di refrigerante deve essere recuperata nelle bombole di recupero appropriate. Eseguire il "flussaggio" del sistema con OFN per rendere sicura l'unità. Potrebbe essere necessario ripetere più volte questa procedura. Non utilizzare aria compressa o ossigeno per questa operazione. Il flussaggio si ottiene interrompendo il vuoto nel sistema con OFN e continuando a riempire fino al raggiungimento della pressione di esercizio, quindi sfiatando nell'atmosfera e infine tirando verso il vuoto. Questo processo deve essere ripetuto finché non vi è più refrigerante all'interno del sistema. Quando si utilizza la carica OFN finale, il sistema deve essere sfiatato fino alla pressione atmosferica per consentire l'intervento. Questa operazione è assolutamente vitale se si devono effettuare le operazioni di brasatura sulle tubazioni.

Assicurarsi che la presa della pompa a vuoto non sia vicino a fonti di combustione e che sia disponibile ventilazione.

## 8. Procedure di carica

Oltre alle procedure di carica convenzionali, attenersi ai seguenti requisiti:

- Assicurarsi che non si verifichi la contaminazione di diversi refrigeranti quando si utilizzano apparecchiature di carica. I flessibili o i condotti devono essere più corti possibili per ridurre al minimo la quantità di refrigerante contenuta.
- Le bombole devono essere tenute in posizione verticale.
- Assicurarsi che il sistema refrigerante sia collegato a terra prima di caricare il sistema con refrigerante.
- Etichettare il sistema al termine della carica (se non è già etichettato).
- Prestare estrema cautela a non riempire eccessivamente il sistema refrigerante.

Prima di caricare il sistema, è necessario testare la con pressione con OFN. Devono essere testate eventuali perdite del sistema al termine di ricarica, ma prima della messa in servizio. Prima di uscire dal sito, è necessario effettuare un ulteriore test di perdite.

## 9. Messa fuori servizio

Prima di effettuare questa procedura, è essenziale che il tecnico abbia acquisito piena familiarità con le apparecchiature e tutti i suoi dettagli. Si raccomanda di adottare una buona prassi per recuperare in modo sicuro tutti i refrigeranti. Prima di effettuare l'operazione, nel caso in cui sia necessaria l'analisi del refrigerante recuperato prima del riutilizzo, prelevare un campione di olio e refrigerante. È essenziale che l'alimentazione elettrica sia disponibile prima di iniziare operazione.

## 1 Informazioni sulla sicurezza

- a) Acquisire familiarità con le apparecchiature e il relativo funzionamento.
- b) Isolare elettricamente il sistema.
- c) Prima di eseguire la procedura, verificare quanto segue: le apparecchiature meccaniche di movimentazione sono disponibili, ove necessario, per la movimentazione di bombole di refrigerante; tutte le attrezzature di protezione individuale sono disponibili e devono essere utilizzate in modo corretto; il processo di recupero è monitorato in ogni momento da personale competente; le apparecchiature di recupero e le bombole devono essere conformi agli standard adeguati.
- d) Ove possibile, pompare il sistema di refrigerante.
- e) Se il vuoto non è possibile, fare in modo che un collettore rimuova il refrigerante da varie parti del sistema.
- f) Assicurarsi che la bombola si trovi sulle bilance prima di effettuare il recupero.
- g) Avviare la macchina di recupero e azionarla in conformità alle istruzioni del produttore.
- h) Non riempire eccessivamente le bombole. (Non oltre l'80% del volume di carica del liquido).
- i) Non superare la pressione massima di esercizio delle bombole, seppure temporaneamente.

## 1 Informazioni sulla sicurezza

- j) Una volta riempite correttamente le bombole e terminato il processo, assicurarsi che le bombole e le apparecchiature siano state rimosse tempestivamente dal sito e tutte le valvole di isolamento sulle apparecchiature siano chiuse.
- k) Il refrigerante recuperato non deve essere caricato in un altro sistema di refrigerazione a meno che non sia stato pulito e controllato.

### 10. Etichettatura

Le apparecchiature devono essere etichettate indicando la messa fuori servizio e lo svuotamento di refrigerante. L'etichetta deve essere datata e firmata.

Assicurarsi che sulle apparecchiature siano presenti delle etichette che indichino la presenza di refrigerante infiammabile.

### 11. Recupero

Quando si rimuove il refrigerante da un sistema, per la manutenzione o la messa fuori servizio, si raccomanda di adottare una buona prassi per rimuovere in modo sicuro tutti i refrigeranti. Quando si trasferisce il refrigerante in bombole, assicurarsi di utilizzare esclusivamente bombole adeguate per il recupero del refrigerante. Assicurarsi che sia disponibile il numero corretto di bombole per la carica totale del sistema. Tutte le bombole da utilizzare sono designate per il refrigerante recuperato ed etichettate per tale refrigerante (ovvero bombole speciali per il recupero del refrigerante). Le bombole devono essere dotate di valvola di sicurezza e relative valvole di isolamento in buone condizioni. Le bombole di recupero sono evacuate e, ove possibile, raffreddate prima del recupero.

## 1 Informazioni sulla sicurezza

Le apparecchiature di recupero devono essere in buone condizioni con una serie di istruzioni relative alle apparecchiature a portata di mano e devono essere adeguate per il recupero dei refrigeranti infiammabili. Inoltre, una serie di bilance calibrate deve essere disponibile e in buone condizioni. I flessibili devono essere dotati di attacchi di scollegamento privi di perdite e in buone condizioni. Prima di utilizzare la macchina di recupero, verificare che sia in condizioni di funzionamento soddisfacente, sia stata effettuata una corretta manutenzione e tutti i componenti elettrici associati siano sigillati per evitare la combustione in caso di rilascio di refrigerante. In caso di dubbi, consultare il produttore.

Il refrigerante recuperato deve essere riportato al fornitore del refrigerante nella bombola di recupero adeguata e con la relativa Nota di trasferimento dei rifiuti compilata. Non mischiare i refrigeranti in unità di recupero e, soprattutto, non in bombole.

Se si devono rimuovere compressori o olio per compressori, assicurarsi che siano stati evacuati ad un livello accettabile per garantire che il refrigerante infiammabile non rimanga all'interno del lubrificante. Il processo di evacuazione deve essere effettuato prima di riportare il compressore ai fornitori. Adottare esclusivamente il riscaldamento elettrico sul corpo del compressore per accelerare questo processo. Quando si scarica l'olio da un sistema, l'operazione deve essere eseguita in modo sicuro.

### Nota relativa ai gas fluorurati:



- I gas fluorurati a effetto serra sono contenuti in apparecchiature sigillate ermeticamente. Per informazioni specifiche sul tipo di gas, sulla quantità e sull'equivalente in tonnellate di CO<sub>2</sub> dei gas fluorurati ad effetto serra (su alcuni modelli), consultare l'etichetta corrispondente sulla stessa unità.
- L'installazione, l'assistenza, la manutenzione e la riparazione di questa unità devono essere effettuate da un tecnico certificato.
- La disinstallazione e lo smaltimento del prodotto devono essere effettuati da un tecnico certificato.

## Competenze del personale qualificato

### Generale

È richiesto una formazione speciale aggiuntiva alle consuete procedure di riparazione delle apparecchiature di refrigerazione quando si tratta di attrezzatura con refrigeranti infiammabili.

In molti paesi, questa formazione viene fornita da organizzazioni nazionali di formazione che sono accreditate per insegnare i pertinenti standard di competenza nazionali che possono essere stabiliti nella legislazione.

La competenza acquisita dovrebbe essere documentata da un certificato.



# 1 Informazioni sulla sicurezza

## Formazione

La formazione deve comprendere quanto segue:

Informazioni circa il potenziale esplosivo dei refrigeranti infiammabili per istruire sulla pericolosità dei materiali infiammabili se manipolati senza attenzione.

Informazioni sulle potenziali fonti di ignizione, in particolari quelle non ovvie come accendini, interruttori della luce, aspirapolveri e termosifoni elettrici.

Informazioni sui diversi concetti di sicurezza:

Scarsa ventilazione (vedi Clausola GG.2) La sicurezza dell'apparecchio non dipende dalla ventilazione dell'alloggiamento. Lo spegnimento dell'apparecchio o l'apertura dell'alloggiamento non produce effettivi significativi sulla sicurezza. Tuttavia, è possibile che a seguito di perdite possa accumularsi del refrigerante all'interno dell'involucro, rilasciando un'atmosfera infiammabile all'apertura dello stesso.

Ventilazione dell'involucro (vedi Clausola GG.4) La sicurezza dell'apparecchio dipende dalla ventilazione dell'alloggiamento. Lo spegnimento dell'apparecchio o l'apertura dell'involucro produce effettivi significativi sulla sicurezza. Occorre garantire una ventilazione sufficiente.

Ventilazione dell'ambiente (vedi Clausola GG.4) La sicurezza dell'apparecchio dipende dalla ventilazione dell'ambiente. Lo spegnimento dell'apparecchio o l'apertura dell'alloggiamento non produce effettivi significativi sulla sicurezza. La ventilazione dell'ambiente non deve essere spenta durante le procedure di riparazione.

## 1 Informazioni sulla sicurezza

Informazioni sul sigillamento di componenti e involucri in base alla normativa IEC 60079-15:2010.

Informazioni sulle procedure di lavoro corrette:

### a) Messa in servizio

- Assicurarsi che la superficie del suolo sia sufficiente per ricaricare il refrigerante o che il condotto di ventilazione sia assemblato correttamente.
- Collegare i tubi e condurre un test di tenuta prima di caricare il refrigerante.
- Controllare le apparecchiature per la sicurezza prima della messa in servizio.

### b) Manutenzione

- L'apparecchio portatile deve essere riparato all'esterno o in un luogo appositamente adibito alla riparazione di unità con refrigeranti infiammabili.
- Garantire una ventilazione sufficiente nel luogo di riparazione.
- Malfunzionamenti dell'apparecchio possono essere provocati da dispersioni di refrigerante e sono possibili perdite di refrigerante.
- Scaricare i condensatori in modo che non producano scintille. La procedura standard per cortocircuitare i terminali dei condensatori crea generalmente scintille.
- Rimontare accuratamente gli involucri sigillati. Se le guarnizioni sono consumate, sostituirle.
- Controllare le apparecchiature per la sicurezza prima della messa in servizio.

## 1 Informazioni sulla sicurezza

### c) Riparazione

- L'apparecchio portatile deve essere riparato all'esterno o in un luogo appositamente adibito alla riparazione di unità con refrigeranti infiammabili.
- Garantire una ventilazione sufficiente nel luogo di riparazione.
- Malfunzionamenti dell'apparecchio possono essere provocati da dispersioni di refrigerante e sono possibili perdite di refrigerante.
- Scaricare i condensatori in modo che non producano scintille.
- Se occorre la brasatura, è necessario eseguire le seguenti procedure nell'ordine corretto:
  - Rimuovere il refrigerante. Se il recupero non è necessario in base alle normative nazionali, drenare il refrigerante all'esterno. Prestare attenzione in modo che il refrigerante drenato non rappresenti una fonte di pericolo. Nel dubbio, incaricare una persona di controllare lo sfiato. Prestare particolare attenzione in modo che il refrigerante drenato non ritorni nell'edificio.
  - Scaricare il circuito refrigerante.
  - Spurgare il circuito refrigerante con azoto per 5 minuti.
  - Scaricare di nuovo.
  - Rimuovere le parti da sostituire tramite intercettazione o brasatura.
  - Spurgare il punto di brasatura con azoto durante la procedura.
  - Condurre un test di tenuta prima di caricare il refrigerante.
- Rimontare accuratamente gli involucri sigillati. Se le guarnizioni sono consumate, sostituirle.

## 1 Informazioni sulla sicurezza

- Controllare le apparecchiature per la sicurezza prima della messa in servizio.
- d) Messa fuori servizio
  - Se durante la messa fuori servizio dell'apparecchio la sicurezza ne risente, è necessario prima rimuovere la carica di refrigerante.
  - Garantire una ventilazione sufficiente nel luogo dove si trova l'apparecchio.
  - Malfunzionamenti dell'apparecchio possono essere provocati da dispersioni di refrigerante e sono possibili perdite di refrigerante.
  - Scaricare i condensatori in modo che non producano scintille.
  - Rimuovere il refrigerante. Se il recupero non è necessario in base alle normative nazionali, drenare il refrigerante all'esterno. Prestare attenzione in modo che il refrigerante drenato non rappresenti una fonte di pericolo. Nel dubbio, incaricare una persona di controllare lo sfiato. Prestare particolare attenzione in modo che il refrigerante drenato non ritorni nell'edificio.
  - Scaricare il circuito refrigerante.
  - Spurgare il circuito refrigerante con azoto per 5 minuti.
  - Scaricare di nuovo.
  - Riempire con azoto fino al raggiungimento della pressione atmosferica.
  - Affiggere un'etichetta sull'apparecchio indicante la rimozione del refrigerante.

## 1 Informazioni sulla sicurezza

### e) Smaltimento

- Garantire una ventilazione sufficiente nel luogo di funzionamento.
- Rimuovere il refrigerante. Se il recupero non è necessario in base alle normative nazionali, drenare il refrigerante all'esterno. Prestare attenzione in modo che il refrigerante drenato non rappresenti una fonte di pericolo. Nel dubbio, incaricare una persona di controllare lo sfiato. Prestare particolare attenzione in modo che il refrigerante drenato non ritorni nell'edificio.
- Scaricare il circuito refrigerante.
- Spurgare il circuito refrigerante con azoto per 5 minuti.
- Scaricare di nuovo.
- Arrestare il compressore e spurgare l'olio.

### **Trasporto, contrassegni e stoccaggio per unità che impiegano refrigeranti infiammabili**

#### **Trasporto di apparecchiature contenenti refrigeranti infiammabili**

Prestare attenzione al fatto che possono esistere normative supplementari sul trasporto concernenti apparecchi contenenti gas infiammabili. Il numero massimo di pezzi di apparecchiature o di configurazione di apparecchiature, autorizzati ad essere trasportati insieme sarà determinato dalle normative di trasporto vigenti.

### **Contrassegni delle apparecchiature utilizzando cartelli**

Contrassegni per apparecchi simili utilizzati in una zona di lavoro sono generalmente indirizzati da normative locali e forniscono i requisiti minimi per la sicurezza e/o la salute sul luogo di lavoro.

Tutti i contrassegni devono essere mantenuti e i datori di lavoro devono garantire che i dipendenti siano adeguatamente istruiti e formati in merito al significato degli stessi e delle operazioni da intraprendere in relazione a questi contrassegni.

L'efficacia dei contrassegni non deve essere ridotta dall'apposizione di un numero troppo elevato degli stessi.

I pittogrammi utilizzati devono essere il più semplice possibile e contenere solo dettagli essenziali.

### **Smaltimento delle apparecchiature con refrigeranti infiammabili**

Vedere le normative nazionali.

### **Stoccaggio di attrezzature/apparecchi**

Lo stoccaggio delle apparecchiature deve essere conforme alle istruzioni del produttore.

Stoccaggio di apparecchiature imballate (invendute)

La protezione delle confezioni stoccate deve essere costruita in modo tale che il danno meccanico all'apparecchiatura all'interno del pacco non provochi una perdita di carica del refrigerante.

Il numero massimo di pezzi di apparecchiature autorizzati per essere stoccati insieme sarà determinato dalle normative locali.

## 2 Nome dei componenti

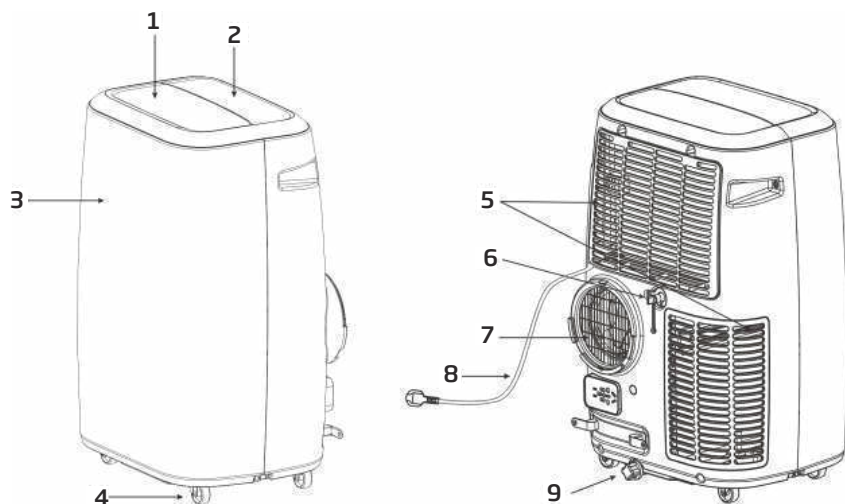



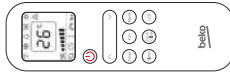









Fig.1

1	Deflettore	5	Presa d'aria
2	Pannello di controllo	6	Sbocco di drenaggio
3	Coperchio anteriore	7	Uscita dell'aria
4	Rotella	8	Cavo di alimentazione
		9	Sbocco di drenaggio

### 3 Accessori

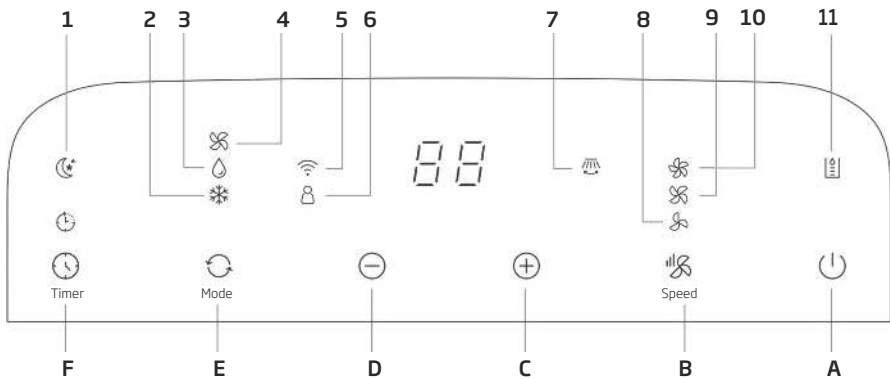
Componente	Descrizione	Quantità
	Tubo di scarico	1
	Connettore per finestra	1
	Adattatore per alloggiamento	1
	Telecomando	1
	Kit per la finestra	1
	Tassello	1
	Kit per la finestra in tessuto	1 (opzionale)
	Rotolo di nastro	1 (opzionale)
	Uscita dell'aria	1
	Tubo dell'acqua	1
	Batterie	2

Dopo aver aperto la confezione, verificare se gli accessori di cui sopra sono inclusi e controllarne le finalità nell'introduzione all'installazione del presente manuale.



## 4 Aspetto e funzioni del pannello di controllo

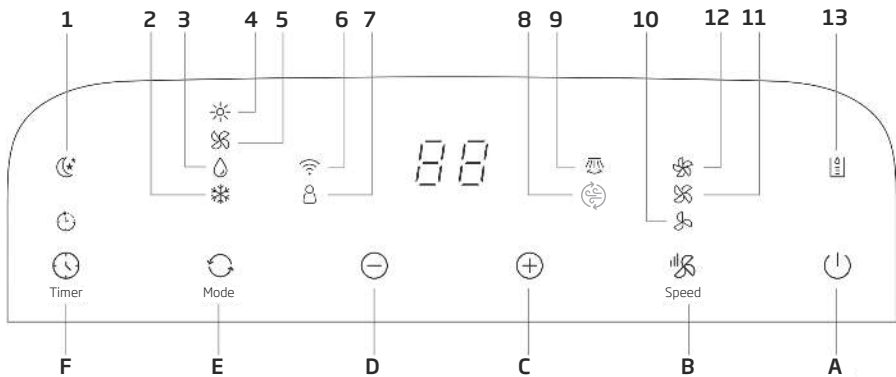
### 4.1 Modello solo raffreddamento (non reversibile)



A	Accensione/spengimento.	4	Ventilazione
B	Velocità ventilazione	5	Funzione wireless
C	Aumento della temperatura	6	Zone follow (Temperatura zona)
D	Riduzione della temperatura	7	Oscillazione automatica
E	Modalità operativa	8	Velocità di ventilazione bassa
F	Accensione/spengimento timer	9	Velocità di ventilazione media
1	Modalità Notturna	10	Velocità di ventilazione elevata
2	Raffreddamento	11	Vaschetta dell'acqua piena
3	Deumidificatore		

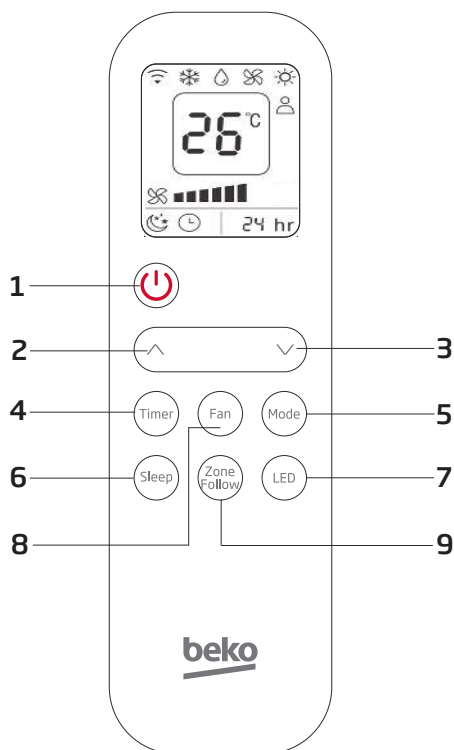
## 4 Aspetto e funzioni del pannello di controllo

### 4.2 Modello raffreddamento e pompa di calore (reversibile)



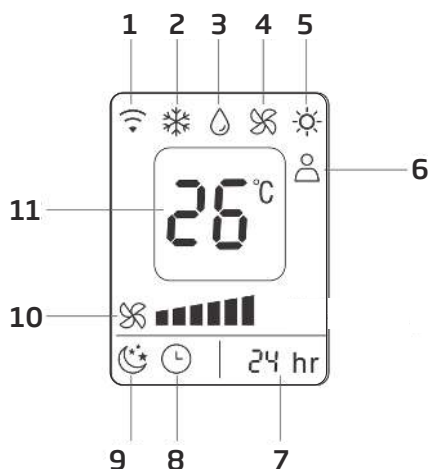
A	Accensione/spegnimento.	4	Riscaldamento
B	Velocità ventilazione	5	Ventilazione
C	Aumento della temperatura	6	Funzione wireless
D	Riduzione della temperatura	7	Zone follow (Temperatura zona)
E	Modalità operativa	8	Indicatore filtro Hepa 13 (solo su BP113H)
F	Accensione/spegnimento timer	9	Oscillazione automatica
		10	Velocità di ventilazione bassa
1	Modalità Notturna	11	Velocità di ventilazione media
2	Raffreddamento	12	Velocità di ventilazione elevata
3	Deumidificatore	13	Vaschetta dell'acqua piena

## 5 Aspetto e funzioni del telecomando



1. Accensione/spengimento.
2. Aumento della temperatura
3. Riduzione della temperatura
4. Accensione/spengimento timer
5. Modalità operativa
6. Modalità Notturna
7. Display a LED
8. Velocità ventilazione
9. Zone follow (Temperatura zona)

## 5 Aspetto e funzioni del telecomando



- |                                   |                                 |
|-----------------------------------|---------------------------------|
| 1. Segnale ricevitore 📶           | 7. Orario                       |
| 2. Raffreddamento                 | 8. Accensione/spengimento timer |
| 3. Deumidificatore                | 9. Modalità Notturna            |
| 4. Ventilazione                   | 10. Velocità ventilazione       |
| 5. Riscaldamento                  | 11. Visualizzazione Temperatura |
| 6. Zone follow (Temperatura zona) |                                 |



### Nota:

- Non far cadere il telecomando.
- Non collocare il telecomando in un luogo esposto a luce solare diretta.

## 6 Funzionamento

Prima di mettere in funzione l'apparecchio eseguire quanto segue:

1. Individuare un luogo dotato di una presa di corrente.
2. Come indicato in Fig. 5 e Fig. 5a, installare il tubo di scarico e regolare bene la posizione della finestra.

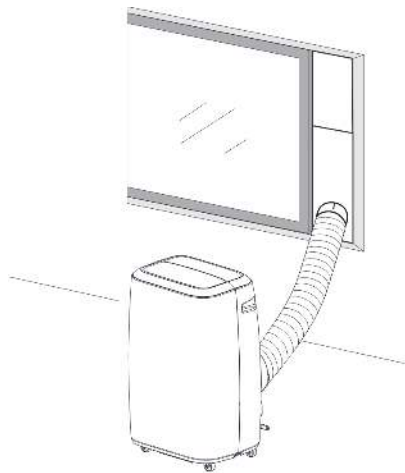


Fig. 5

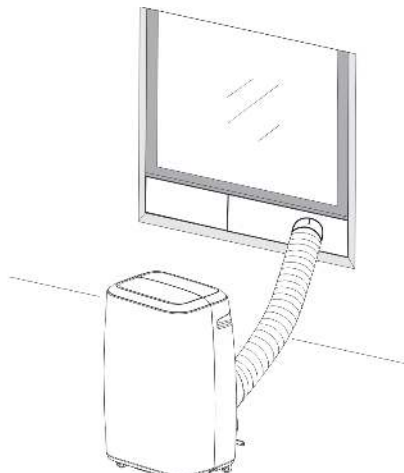


Fig. 5a

3. Collegare bene il tubo di scarico (solo per il modello di riscaldamento);
4. Inserire il cavo di alimentazione in una presa CA 220-240 V/50 Hz dotata di messa a terra.
5. Premere il pulsante Accensione per accendere il condizionatore.

### 6.1 Prima dell'uso

**Avviso:**

- Intervallo della temperatura di esercizio:

	Raffreddamento massimo	Raffreddamento minimo
DB/WB(°C)	35/24	18/12

	Riscaldamento massimo	Riscaldamento minimo
DB/WB(°C)	27/---	7/---

## 6 Funzionamento

Verificare se il tubo di scarico è stato montato correttamente.

Precauzioni per le operazioni di raffreddamento e deumidificazione:

- durante l'uso delle funzioni di raffreddamento e deumidificazione, attendere almeno 3 minuti prima di spegnere/accendere.
- L'alimentazione deve soddisfare i requisiti.
- La presa deve erogare corrente CA.
- Non condividere la presa elettrica con altre apparecchiature.
- L'alimentazione è CA 220-240 V, 50 Hz

### 6.2 Modalità raffreddamento

- Premere il pulsante "Mode" (Modalità) finché non viene visualizzata l'icona "Raffreddamento".
- Premere i tasti "Su" o "Giù" per selezionare la temperatura desiderata. (16°C-31°C)
- Premere il pulsante "Ventilazione" per selezionare la velocità di ventilazione.

### 6.3 Modalità deumidificatore

- Premere il pulsante "Mode" (Modalità) finché non viene visualizzata l'icona "Deumidificatore".
- Viene impostata automaticamente una differenza con la temperatura dell'ambiente di meno 2°C. (16°C-31°C)
- Viene impostata automaticamente la ventilazione a velocità bassa.

### 6.4 Modalità Ventilazione

- Premere il pulsante "Mode" (Modalità) finché non viene visualizzata l'icona "Ventilatore".
- Premere il pulsante "Ventilazione" per selezionare la velocità di ventilazione.

### 6.5 Modalità di riscaldamento (questa funzione non è disponibile per le unità di solo raffreddamento)

- Premere il pulsante "Mode" (Modalità) finché non viene visualizzata l'icona "Riscaldamento".
- Premere i tasti "Su" o "Giù" per selezionare la temperatura desiderata. (16°C-31°C)
- Premere il pulsante "Ventilazione" per selezionare la velocità di ventilazione.

## 6 Funzionamento

### 6.6 Modalità Timer

Impostazione di accensione del timer:

- Quando il condizionatore è spento, premere il pulsante "Timer" (Timer) e selezionare l'orario di accensione desiderato tramite i pulsanti di impostazione della temperatura e dell'ora.
- Viene visualizzato sul pannello di controllo "Preset On Time" (Ora di accensione preimpostata), dopo aver impostato il tempo di impostazione 5 secondi, 'imposta temperatura' verrà visualizzato su entrambi i display.
- L'ora di accensione è regolabile a piacere nelle 24 ore.

Impostazione di spegnimento del timer:

- Quando il condizionatore è acceso, premere il pulsante "Timer" (Timer) e selezionare l'orario di spegnimento desiderato tramite i pulsanti di impostazione della temperatura e dell'ora.
- Viene visualizzato sul pannello di controllo "Preset Off Time" (Ora di spegnimento preimpostata).
- L'ora di spegnimento è regolabile a piacere nelle 24 ore.

### 6.7 Oscillazione automatica

- Questa funzione potrebbe essere realizzata solo tramite l'app Homewhiz.

### 6.8 Modalità Notturna

- Durante la modalità di raffreddamento, premere il tasto Sleep (Sospensione) per impostare la temperatura. Aumenta di 1°C dopo un'ora e al massimo aumenta di 2°C dopo 2 ore.
- Durante la modalità di riscaldamento, premere il tasto Sleep (Sospensione) per impostare la temperatura. Diminuisce di 1°C dopo un'ora e al massimo diminuisce di 2°C dopo 2 ore.
- Premere di nuovo il tasto Sleep (Sospensione) per annullare l'impostazione.

### 6.9 Drenaggio dell'acqua

Allarme vaschetta dell'acqua piena

- La vaschetta di raccolta dell'acqua interna al condizionatore dispone di un interruttore di sicurezza che controlla il livello dell'acqua. Quando il livello dell'acqua raggiunge una determinata altezza, si accende una spia. (Se la pompa dell'acqua è danneggiata, quando l'acqua raggiunge il livello, rimuovere il tappo in gomma nella parte inferiore dell'unità per far drenare l'acqua all'esterno.)

Drenaggio continuo

- Quando l'unità non viene utilizzata per lunghi periodi di tempo, rimuovere il tappo in gomma dal foro di drenaggio nella parte inferiore dell'unità e collegare il tubo di scarico alla clip di fissaggio inferiore. L'acqua contenuta nel serbatoio dell'acqua sarà drenata all'esterno.

## 6 Funzionamento

- È possibile drenare l'acqua allo stesso modo quando l'unità funziona in modalità di riscaldamento e deumidificazione.
- Se la pompa dell'acqua è danneggiata, è possibile drenare l'acqua di continuo e in tal caso la pompa dell'acqua non si attiverà. Ad ogni modo l'unità funzionerà normalmente.  
Se la pompa dell'acqua è danneggiata, è possibile drenare l'acqua in modo intermittente. In queste condizioni, quando si accende la spia che indica che la vaschetta dell'acqua è piena, collegare un tubo di scarico alla clip di fissaggio inferiore per svuotare l'acqua all'esterno. Ad ogni modo l'unità funzionerà normalmente.

### 6.10 Funzione wireless

- Tenere premuto il pulsante Speed (Velocità) per 5 secondi per accedere alla modalità di impostazione wireless;
- L'unità si connette in wireless se l'indicatore è acceso, in caso contrario non è connessa. Quando l'indicatore wireless lampeggia lentamente, l'unità è in modalità di configurazione wireless; se lampeggia rapidamente, l'unità è connessa in wireless.
- È possibile utilizzare la maggior parte delle funzioni del condizionatore tramite l'app per smartphone (HomeWhiz) con il wireless connesso.

### 6.11 Funzione Zone follow (Temperatura zona)

- È possibile accendere o spegnere la funzione Zone follow (Temperatura zona) tramite il telecomando;
- Quando la funzione è attivata, l'unità controllerà la temperatura dell'ambiente tramite il sensore apposito contenuto nel telecomando (il sensore della temperatura ambiente nell'apparecchio non funzionerà)
- Questa funzione si disattiverà se l'unità non riceve segnali dal telecomando entro 30 minuti. Il controllo della temperatura passerà quindi al normale sensore della temperatura ambiente interno all'unità.



## 7 Informazioni sull'installazione

### 7.1 Informazioni sull'installazione

- Il condizionatore deve essere installato su una superficie piana e ben aerata. Non ostruire l'uscita dell'aria e rispettare la distanza minima di circa 30 cm. (Vedere la Fig. 8)
- Non deve essere installato in luoghi umidi, come ad es. lavanderie.
- Il cablaggio della presa deve essere conforme ai requisiti elettrici per la sicurezza locali.

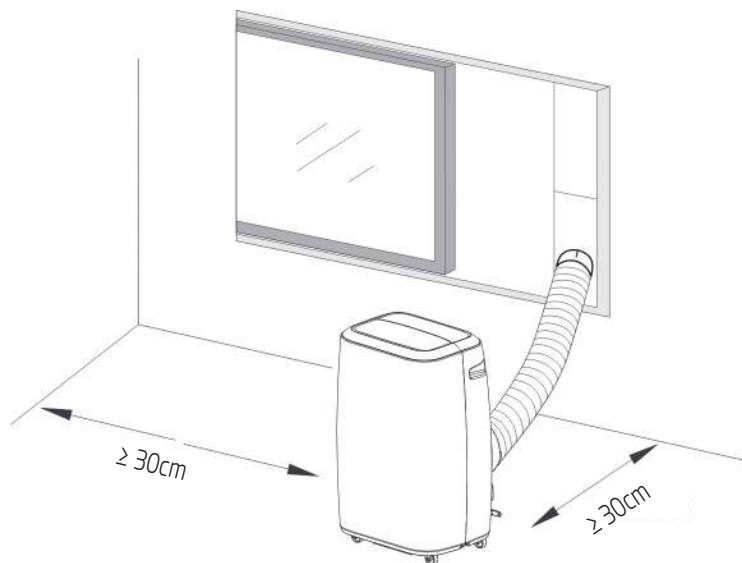


Fig. 8

## 7 Informazioni sull'installazione

### 7.2 Introduzione all'installazione del tubo di scarico

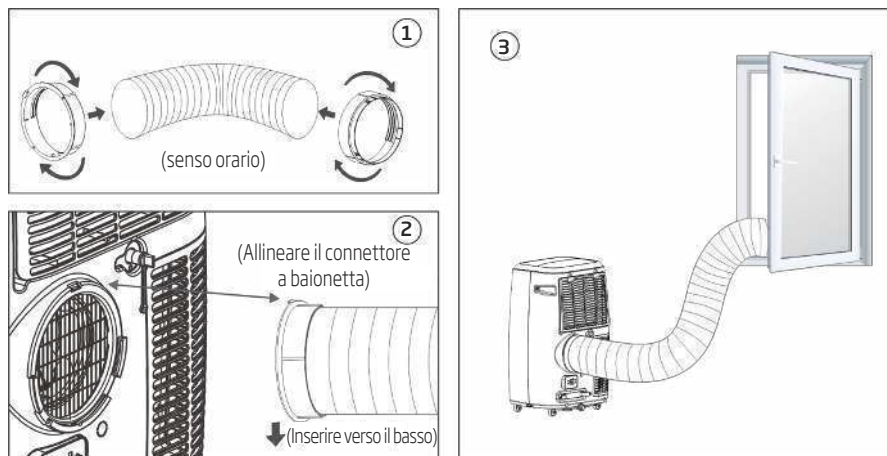


Fig. 9

#### Installazione temporanea

1. Avvitare entrambe le estremità del tubo di scarico nella clip di fissaggio quadrata e nella clip di fissaggio piatta.
2. Inserire la clip di fissaggio quadrata nelle aperture sul retro del condizionatore (consultare la Fig. 9).
3. Collocare l'altra estremità del tubo di scarico nella finestra più vicina.

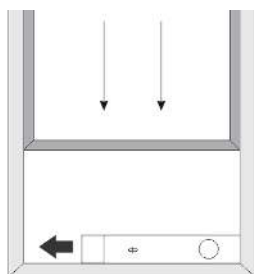
#### Installazione del kit per la finestra a scorrimento

La modalità di installazione del kit per la finestra a scorrimento è principalmente in orizzontale e verticale. Come indicato nella Fig. 10 e Fig. 10a, verificare le dimensioni minime e massime della finestra prima di procedere con l'installazione.

1. Installare il kit per la finestra sulla finestra (Fig. 10, Fig. 10a);
2. Regolare la lunghezza del kit per la finestra a scorrimento in base alla larghezza o all'altezza della finestra e fissarlo con il tassello;
3. Inserire il tubo di collegamento alla finestra nel foro del kit per la finestra.

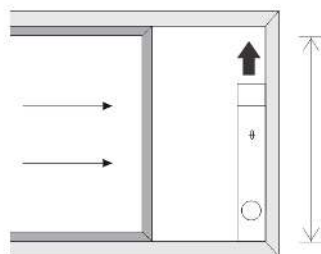
## 7 Informazioni sull'installazione

①



Ampiezza finestra  
min: 67,5 cm  
max: 123 cm

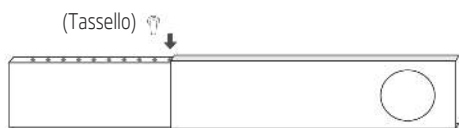
Fig. 10



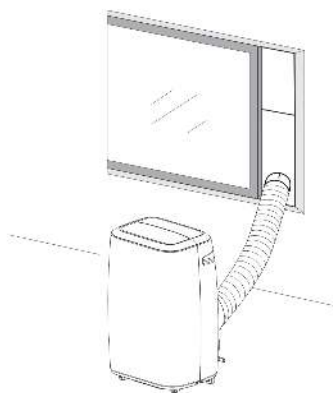
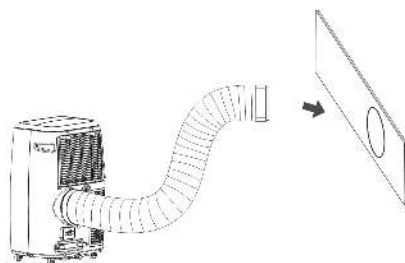
Altezza finestra  
min: 67,5 cm  
max: 123 cm

Fig. 10a

②



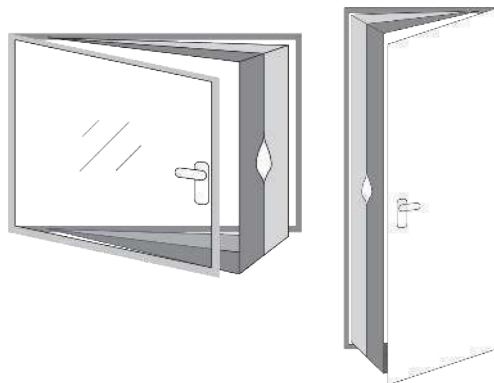
③



## 7 Informazioni sull'installazione

### 7.3 Kit di coibentazione universale per condizionatore portatile (opzionale)

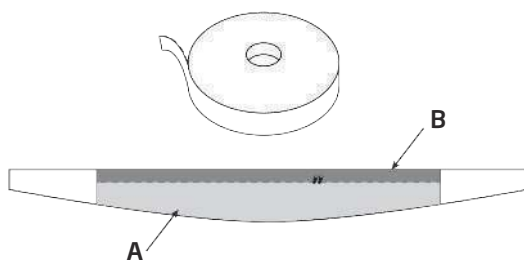
Adatta a finestre e porte



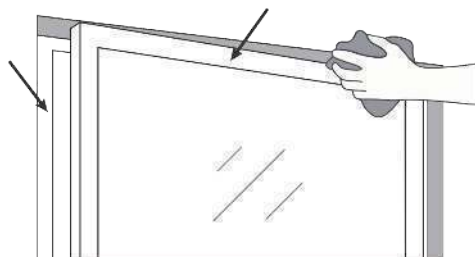
**Il kit comprende:**

1 pezzo di tessuto (4 m)

1 rotolo di nastro adesivo (9 m)

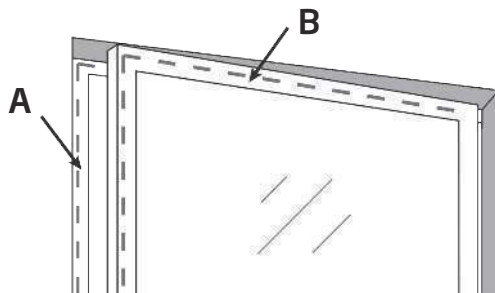


1. Aprire la finestra e pulire le ante e gli infissi prima di fissare il nastro adesivo.

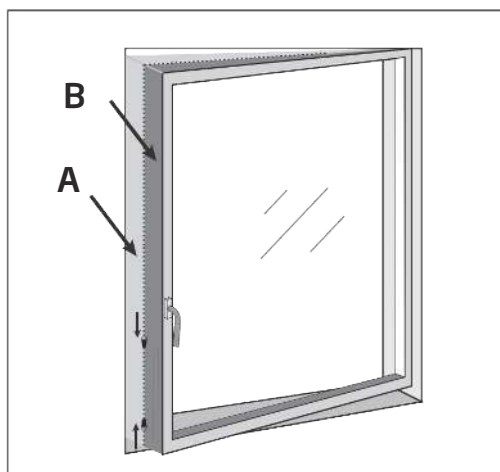


## 7 Informazioni sull'installazione

2. Tagliare delle grandi strisce di nastro adesivo in base alle dimensioni della finestra. Incollarle agli infissi della finestra e quindi eseguire la stessa operazione sulla superficie interna del bordo della finestra (dal lato della maniglia).

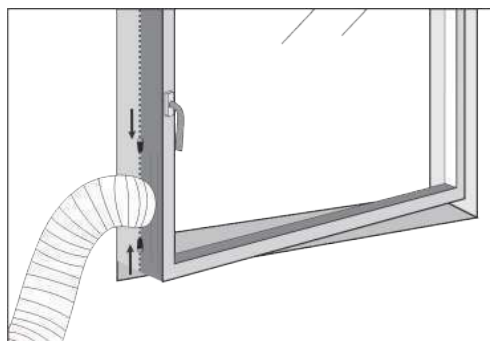


3. Incollare il lato più lungo (A) del pezzo di tessuto bianco all'infisso della finestra e incollare quindi il lato corto (B) all'anta della finestra (lato maniglia) a partire dal centro, quindi in alto e infine in basso.



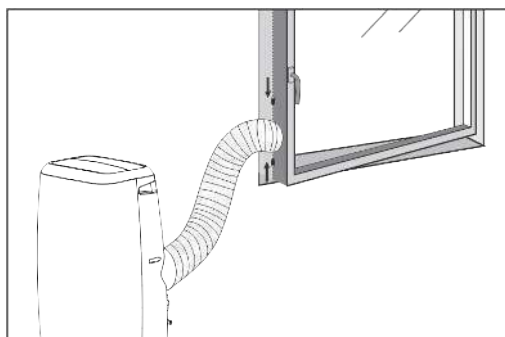
4. Chiudere la finestra e assicurarsi che il pezzo di tessuto non si incastri nelle guarnizioni di chiusura e la finestra si chiuda sempre correttamente, anche con il nastro adesivo.
5. Aprire delicatamente la finestra e la cerniera del pezzo di tessuto (a partire dalla parte inferiore o centrale della finestra), quindi inserire il tubo di sfiato nell'apertura. Regolare la cerniera in modo che il tubo di sfiato sia fissato ermeticamente.

## 7 Informazioni sull'installazione



6. Ora che il kit di coibentazione è installato, è possibile accendere e provare la freschezza del condizionatore portatile!

Se non si desidera utilizzare il condizionatore portatile e si vuole chiudere la finestra, è sufficiente rimuovere la guaina dalla cerniera e chiudere la finestra, controllando che il pezzo di tessuto non rimanga incastrato nelle guarnizioni di chiusura.



### Nota:



In caso di finestre con doppia anta: bloccare la prima anta con la maniglia ed eseguire l'installazione del kit di coibentazione sull'altra anta (senza la maniglia).

Prima dell'installazione, verificare che il nastro adesivo non danneggi la finestra.

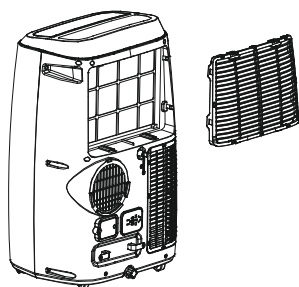
## 7 Informazioni sull'installazione

### 7.4 Uso del filtro Hepa 13 (solo modello BP113H)

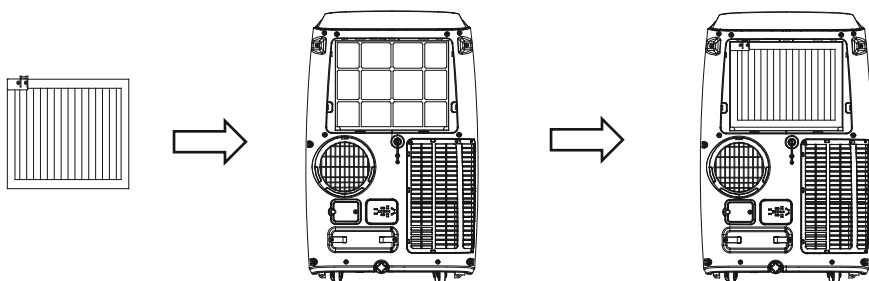
1. Quando viene installato il filtro Hepa 13, la spia del raffreddamento si accende.
2. Quando è in funzione il purificatore d'aria, la funzione di raffreddamento e deumidificatore non è operativa.
3. Se occorre raffreddare o deumidificare, è necessario disattivare il filtro Hepa 13.

Come installare il filtro Hepa 13

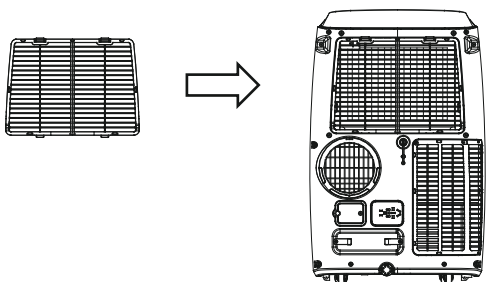
1. Estrarre l'unità del filtro.



2. Inserire il filtro Hepa 13.



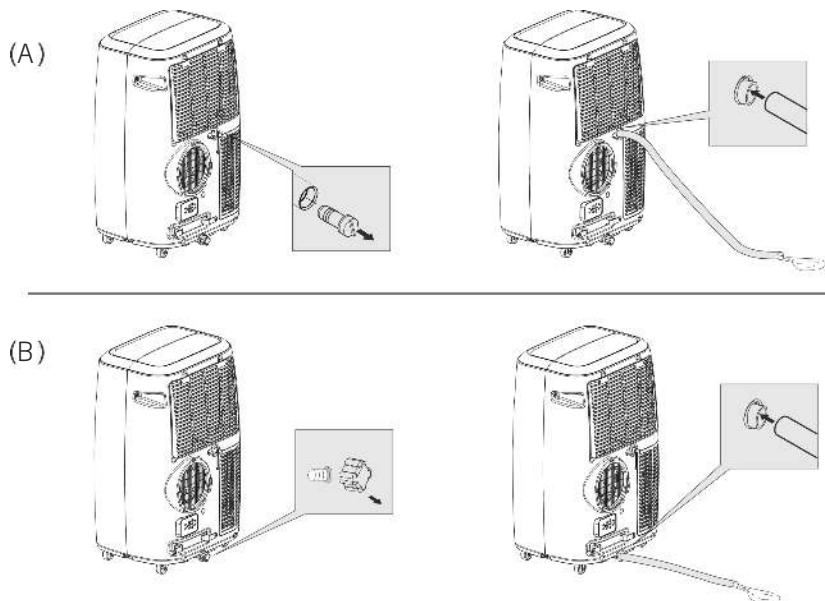
3. Installare l'unità filtro.



## 7 Informazioni sull'installazione

### 7.5 Allarme vaschetta dell'acqua piena

La vaschetta di raccolta dell'acqua interna al condizionatore dispone di un interruttore di sicurezza che controlla il livello dell'acqua. Quando il livello dell'acqua raggiunge una determinata altezza, si accende una spia. (Se la pompa dell'acqua è danneggiata, quando l'acqua raggiunge il livello, rimuovere il tappo in gomma nella parte inferiore dell'unità per far drenare l'acqua all'esterno.)



Il foro (A), posizionato nella parte superiore dell'unità, va usato per estrarre l'acqua dal condizionatore portatile (rimuovere il tappo in gomma e posizionare il tubo di scarico nell'orifizio) quando nella stanza vi è molta umidità (in drenaggio continuo) o quando è stata attivata la modalità Deumidificatore o Riscaldamento.

Il foro (B), posizionato nella parte inferiore dell'unità, presenta una vaschetta e va usato per svuotare tale contenitore (allarme vaschetta d'acqua piena). A tal fine, rimuovere il tappo di gomma e posizionare il tubo di scarico nel foro.

#### Nota:



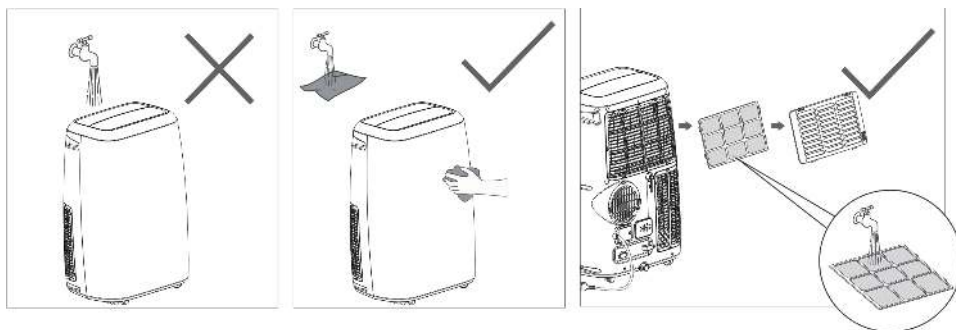
Attenzione! La vaschetta è in grado di contenere una quantità considerevole d'acqua. Se del caso, si consiglia di svuotarla all'esterno o di utilizzare una bacinella capiente evitando così di allagare la stanza.



## 8 Manutenzione

### Avvertenza:

- Scollegare sempre l'unità prima di effettuare le operazioni di pulizia o manutenzione.
- Non utilizzare liquidi infiammabili o agenti chimici per la pulizia dell'unità.
- Non lavare l'unità sotto acqua corrente, in quanto potrebbe comportare scosse elettriche.
- Non azionare la macchina se l'alimentazione è stata danneggiata durante la pulizia. Un cavo di alimentazione danneggiato deve essere sostituito con un nuovo cavo ottenuto dal produttore.
- In caso di guasti al condizionatore, rivolgersi al rivenditore o a un punto di riparazione.



### 8.1 Pulire il filtro dell'aria

- Se il filtro dell'aria è ostruito con polvere/sporcizia, è necessario pulirlo ogni due settimane.
- Smontaggio  
Aprire la griglia di entrata dell'aria ed estrarre il filtro dell'aria.
- Pulizia  
Pulire il filtro dell'aria con del detergente neutro in acqua tiepida (40°C) e lasciar asciugare all'ombra.
- Montaggio  
Inserire il filtro dell'aria nella griglia di entrata dell'aria e riposizionare i componenti.

## 8 Manutenzione



### **Avvertenza:**

Non mettere in funzione l'unità senza filtro in quanto polvere e lanugine la intaserebbero e ne ridurrebbero le prestazioni.

### **8.2 Pulire la superficie del condizionatore.**

Prima pulire la superficie con un detergente neutro e un panno umido, quindi asciugare con un panno asciutto.

### Consigli di manutenzione

Assicurarsi di pulire il filtro dell'aria ogni 2 settimane per prestazioni ottimali.

La vaschetta di raccolta dell'acqua deve essere drenata immediatamente dopo il verificarsi dell'errore P1 e prima della conservazione per prevenire la formazione di muffa.

In abitazioni con animali, è necessario pulire periodicamente la griglia per prevenire il blocco del flusso dell'aria dovuto ai peli degli animali.

### Pulizia dell'unità

Pulire l'unità con un panno morbido privo di lanugine e un detergente delicato. Asciugare l'unità con un panno asciutto privo di lanugine.

### Conservazione dell'unità quando non è in uso

Asciugare la vaschetta di raccolta dell'acqua dell'unità secondo le istruzioni riportate nella seguente sezione.

Azionare l'apparecchio in modalità Fan (Ventilazione) per 12 ore in una stanza calda per asciugarlo e prevenire la formazione di muffe.

Spegnere l'apparecchio e scollegarlo.

Pulire il filtro dell'aria secondo le istruzioni riportate nella sezione precedente. Reinstallare il filtro pulito e asciutto prima della conservazione.

Rimuovere le batterie dal telecomando.

Assicurarsi di conservare l'unità in un luogo fresco e buio. L'esposizione alla luce solare diretta o a fonti di calore eccessive può abbreviare la durata di vita dell'unità.



**Nota:** è possibile spolverare l'alloggiamento e la parte anteriore con un panno privo di olio oppure è possibile lavarli con un panno inumidito con una soluzione di acqua calda e detergente per piatti delicato. Risciacquarli a fondo e asciugarli accuratamente. Non utilizzare mai detergenti aggressivi, paraffina o lucidi sulla parte frontale dell'alloggiamento. Assicurarsi di strizzare l'acqua in eccesso dal panno prima di asciugare l'area dei comandi. L'acqua in eccesso sui comandi o nelle vicinanze può causare danni all'unità.

## 10 Risoluzione dei problemi

Problemi	Possibili cause	Rimedi suggeriti
1. L'unità non si accende premendo il tasto on/off (accensione/spegnimento)	- La spia del serbatoio dell'acqua lampeggia e il serbatoio è pieno.	Svuotare l'acqua dal serbatoio.
	- La temperatura ambiente è superiore alla temperatura impostata. (Modalità di riscaldamento)	Resettare la temperatura.
	- La temperatura ambiente è inferiore alla temperatura impostata. (Modalità di raffreddamento)	Resettare la temperatura.
2. L'ambiente non è abbastanza freddo	- Le porte e le finestre non sono chiuse.	Assicurarsi che tutte le finestre e le porte siano chiuse.
	- Ci sono fonti di calore all'interno della stanza.	Rimuovere le fonti di calore, se possibile.
	- Il tubo di scarico dell'aria non è collegato o è bloccato.	Collegare o pulire il tubo dell'aria di scarico.
	- La temperatura impostata è troppo alta.	Resettare la temperatura.
	- La presa dell'aria è ostruita.	Pulire la presa d'aria.
3. Rumore	- Il pavimento non livellato o non è abbastanza piano	Posizionare l'unità su una superficie piana e livellata, se possibile
	- Il suono è causato dallo scorrere del refrigerante all'interno del climatizzatore.	È normale.
4. Codice E0	Errore del sensore di temperatura ambiente.	Sostituire il sensore di temperatura ambiente (l'unità funziona anche senza la sostituzione.)
5. Codice E1	Errore del sensore di temperatura del condensatore.	Sostituire il sensore di temperatura del condensatore.
6. Codice E2	Serbatoio dell'acqua pieno durante il raffreddamento	Estrarre il tappo di gomma e svuotare il serbatoio.
7. Codice E3	Errore del sensore di temperatura dell'evaporatore.	Sostituire il sensore di temperatura dell'evaporatore.
8. Codice E4	Serbatoio dell'acqua pieno durante il riscaldamento	Svuotare il serbatoio dell'acqua.



**Nota:** I prodotti effettivi potrebbero essere diversi.

## 11 Normative europee per lo smaltimento

Se si utilizza l'unità in paesi europei, attenersi alle seguenti informazioni:

Smaltimento: Non smaltire il prodotto come rifiuto non differenziato. È necessaria la raccolta separata di tali rifiuti per un trattamento speciale.

È vietato smaltire l'elettrodomestico insieme ai rifiuti domestici.

Per lo smaltimento, ci sono diverse possibilità:

- Il comune ha stabilito dei sistemi di raccolta dove i rifiuti elettronici possono essere smaltiti gratuitamente.
- Al momento dell'acquisto di un nuovo prodotto, il rivenditore ritirerà gratuitamente il vecchio prodotto.
- L'azienda produttrice ritirerà il vecchio elettrodomestico per lo smaltimento gratuito.
- Dato che i vecchi prodotti contengono risorse di valore, possono essere venduti ai rivenditori di scarti metallici.

Lo smaltimento dei rifiuti nei boschi e nei paesaggi mette in pericolo la vostra salute, quando tali sostanze pericolose si disperdono nel sottosuolo o nelle acque ed entrano nel circolo della catena alimentare.



Il presente simbolo indica che questo prodotto non può essere smaltito insieme ai rifiuti domestici al termine del suo ciclo di vita. Il dispositivo usato deve essere conferito presso il punto di raccolta ufficiale di riciclo di dispositivi elettrici ed elettronici. Al fine di individuare tali sistemi di raccolta, contattare le autorità locali o il rivenditore presso il cui negozio è stato acquistato l'articolo. Ciascun utente svolge un ruolo importante nel recupero e nel riciclo di vecchie apparecchiature. Lo smaltimento appropriato aiuta a prevenire potenziali conseguenze negative per l'ambiente e la salute umana.

## 12 Istruzioni per l'installazione

### 12.1 Istruzioni per i gas fluorurati

Questo prodotto contiene gas fluorurati ad effetto serra.

I gas fluorurati ad effetto serra sono contenuti in attrezzatura sigillata ermeticamente.

Installazioni, riparazioni, manutenzione, controlli della presenza di perdite, smantellamento e riciclo del prodotto devono essere effettuati da personale qualificato.

Se il sistema è dotato di dispositivo per il rilevamento delle perdite, i controlli delle perdite devono essere eseguiti almeno ogni 12 mesi, accertando che il sistema funzioni correttamente.

Ogni qual volta vengono eseguiti controlli delle perdite, occorre specificare il ciclo di controllo, creare e conservare dei registri concernenti le verifiche.



**Nota:** Non occorre eseguire le verifiche delle perdite per attrezzatura sigillata ermeticamente, condizionatori d'aria portatili, condizionatori d'aria a finestra e deumidificatori, se l'equivalente di CO<sub>2</sub> o gas fluorurati ad effetto serra è minore di 10 tonnellate.

## 13 Specifiche tecniche

Nome modello Beko	BP109C	BP112C	BP112H	BP113H	BP109AC	BP109AH
Refrigerante	R290	R290	R290	R290	R290	R290
Quantità refrigerante totale (g)	212	226	226	225	230	230
Classe climatica	T1	T1	T1	T1	T1	T1
Capacità di raffreddamento (Btu/h)	8871	11942	11942	12966	8530	8530
Capacità di raffreddamento (W)	2600	3500	3500	3800	2500	2500
Capacità di riscaldamento (Btu/h)	-	-	8871	10577	-	7165
Capacità di riscaldamento (W)	-	-	2600	3100	-	2100
Efficienza energetica in raffreddamento (W/W) - EER	2,60	2,60	2,60	2,60	3,10	3,10
Efficienza energetica in riscaldamento (W/W) - COP	-	-	2,30	2,30	-	2,60
Livello di energia - raffreddamento	A (EU 626/2011)	A (EU 626/2011)	A (EU 626/2011)	A (EU 626/2011)	A+ (EU 626/2011)	A+ (EU 626/2011)
Livello di energia - riscaldamento	-	-	A (EU 626/2011)	A (EU 626/2011)	-	A+ (EU 626/2011)
Potenza di raffreddamento in ingresso (W)	1000	1346	1346	1462	806	806
Potenza di riscaldamento in ingresso (W)	-	-	1130	1348	-	807
Tensione/Frequenza (V/Hz)	220-240 V~, 50 Hz	220-240 V~, 50 Hz	220-240 V~, 50 Hz	220-240 V~, 50 Hz	220-240 V~, 50 Hz	220-240 V~, 50 Hz
Livello di potenza del rumore (dBA) - (potenza sonora)	65/63/61	65/63/61	65/63/61	65/63/61	65/63/61	65/63/61
Livello di pressione del rumore (dBA) - (pressione sonora)	52/50/48	52/50/48	52/50/48	52/50/48	52/50/48	52/50/48
Volume del flusso d'aria - (m <sup>3</sup> /h)	380	380	380	440	380	380
Rimozione dell'umidità (L/h)	1,0	1,2	1,2	1,5	1,0	1,0
Intervallo della temperatura di esercizio durante il raffreddamento (°C)	18-35 °C	18-35 °C	18-35 °C	18-35 °C	18-35 °C	18-35 °C
Intervallo della temperatura di esercizio durante il riscaldamento (°C)	-	-	7-27 °C	7-27 °C	-	7-27 °C

## 13 Specifiche tecniche

1. Le specifiche sono valori standard calcolati in base alle condizioni operative nominali. Queste variano in base alle condizioni di lavoro.
2. La nostra azienda apporta rapidi miglioramenti tecnici. Eventuali modifiche ai dati tecnici verranno apportate senza preavviso. Leggere la targhetta sul condizionatore d'aria.
3. Il valore nominale è testato sotto 35/24 (ingresso) 35/24 (uscita).





# Lees deze gebruikshandleiding a.u.b. voorafgaand aan gebruik!

Geachte klant,

Hartelijk bedankt voor het aanschaffen van een Beko product. Dit kwaliteitsproduct is gefabriceerd volgens de nieuwste technologische standaarden en wij hopen dat u er optimaal van zult genieten. Lees daarom deze gebruikshandleiding en alle andere bijgesloten documentatie volledig door voordat u het product in gebruik neemt en bewaar de instructies als eventueel naslagwerk. Mocht u het product aan een ander geven, overhandig dan ook de gebruikshandleiding. Volg alle waarschuwingen en informatie in de gebruikshandleiding.

## Betekenis van de symbolen

De volgende symbooltjes worden in de verschillende secties van deze handleiding gebruikt:

	Belangrijke informatie of nuttige tips m.b.t. het gebruik.
--	--

	Waarschuwing op gevaarlijke situaties m.b.t. fataal letsel en eigendommen.
--	--

	Waarschuwingen op acties die nooit mogen worden uitgevoerd.
--	---

	Waarschuwing voor elektrische schokken.
--	---

	Waarschuwing voor hete oppervlaktes.
--	--------------------------------------

	Dek het apparaat niet af.
--	---------------------------

	Dit symbool geeft aan dat de gebruiksaanwijzing zorgvuldig moet worden gelezen.
--	---


	Dit symbool geeft aan dat onderhoudspersoneel deze apparatuur met raadpleging van de installatiehandleiding moet behandelen.
---	--

	Dit symbool geeft aan dat dit apparaat een brandbaar koelmiddel gebruikt. Als het koelmiddel weglekt en aan een externe ontstekingsbron wordt blootgesteld, dan bestaat er een risico op brand.
--	---



Dit product is gefabriceerd in milieuvriendelijke, moderne faciliteiten

# Inhoud

<b>1</b>	<b>Veiligheidsmaatregelen</b>	<b>173</b>
<b>2</b>	<b>Namen van de onderdelen</b>	<b>199</b>
<b>3</b>	<b>Accessoires</b>	<b>200</b>
<b>4</b>	<b>Uiterlijk en functie van het bedieningspaneel</b>	<b>201</b>
4.1	Model alleen afkoelen (niet omkeerbaar) .....	201
4.2	AfModel afkoelen en verwarmingspomp (omkeerbaar) .....	202
<b>5</b>	<b>Uiterlijk en functie van de afstandsbediening</b>	<b>203</b>
<b>6</b>	<b>Introductie bediening</b>	<b>205</b>
6.1	Vóór gebruik .....	205
6.2	Koelfunctie .....	206
6.3	Ontvochtigen .....	206
6.4	Ventilator .....	206
6.5	Verwarmen (deze functie is niet beschikbaar voor een koelapparaat) .....	206
6.6	Timer .....	207
6.7	Automatisch draaien .....	207
6.8	Slaapmodus .....	207
6.9	Waterafvoer .....	207
6.10	Draadloze functie  .....	208
6.11	Functie Zone volgen .....	208
<b>7</b>	<b>Installatie-uitleg</b>	<b>209</b>
7.1	Installatie-uitleg: .....	209
7.2	Introductie van de installatie van de uitlaatslang .....	210
7.3	Universele afdichtset voor een mobiele airconditioner (optioneel) .....	212
7.4	Gebruik de hepa 13-filter (alleen voor het BP113H-model) .....	215
7.5	Alarm water vol .....	216

# Inhoud

---

<b>8 Onderhoudsuitleg</b>	<b>217</b>
8.1 De luchtfilter reinigen .....	217
8.2 Het oppervlak van de airconditioner reinigen .....	218
<b>9 Onderhoud</b>	<b>219</b>
<b>10 Problemen oplossen</b>	<b>220</b>
<b>11 Europese richtlijnen voor afvalverwijdering</b>	<b>221</b>
<b>12 Installatie-instructies</b>	<b>222</b>
12.1 F-Gas instructie .....	222
<b>13 Specificaties</b>	<b>223</b>

---

# 1 Veiligheidsmaatregelen

## Zeer belangrijk

Installeer of gebruik de Plaatselijke air conditioner niet vóór u deze handleiding zorgvuldig hebt doorgelezen. Bewaar deze handleiding voor eventuele productgarantie en toekomstige referentie.

## Waarschuwing

Gebruik het apparaat niet om producten sneller te ontdooien of schoon te maken, gebruik het alleen voor de door de fabrikant aanbevolen doeleinden.

Het apparaat moeten worden opgeslagen in een ruimte zonder voortdurend werkende ontstekingsbronnen (bijvoorbeeld: open vuur, een werkend gasapparaat of een werkende elektrische verwarming).

Niet doorboren of verbranden.

Wees u ervan bewust dat koelmiddelen mogelijk geen geur hebben. Het apparaat moet worden geïnstalleerd, gebruikt en opgeslagen in een ruimte met een oppervlak van meer dan X m<sup>2</sup>.

Model	X (m <sup>2</sup> )
9000Btu/h, 10000Btu/h, 12000Btu/h, 13000Btu/h	12

# 1 Veiligheidsmaatregelen

## Waarschuwing (voor R290)

Specifieke informatie met betrekking tot apparaten met R290 koelgas.

- Lees alle waarschuwingen goed door.
- Gebruik tijdens het ontdooien en reinigen van het apparaat geen ander gereedschap dan dat wordt aanbevolen door de fabrikant.
- Het apparaat moet in een gebied zonder permanente ontstekingsbronnen worden geplaatst (bijvoorbeeld: open vlammen, gas of werkende elektrische apparaten).
- Doorboor en verbrand het apparaat niet.
- Dit apparaat bevat Y g (raadpleeg het typeplaatje op de achterkant van het apparaat) R290 koelgas.
- R290 is een koelgas dat voldoet aan de Europese richtlijnen met betrekking tot het milieu. Doorboor geen enkel onderdeel van het koelcircuit.
- Als het apparaat is geïnstalleerd, wordt gebruikt of wordt bewaard in een ongeventileerde ruimte, moet deze ruimte ontworpen zijn om te voorkomen dat opgehoopt koelgas lekt omdat dit kan leiden tot brand of explosie door ontsteking van het koelmiddel door elektrische verwarmingen, fornuizen of andere ontstekingsbronnen.
- Het apparaat moet zodanig worden bewaard dat er geen mechanische defecten kunnen ontstaan.

## 1 Veiligheidsmaatregelen

- Personen die het koelcircuit bedienen of hieraan werken, moeten een passende certificering hebben die is uitgegeven door een erkende organisatie die bekwaamheid garandeert wat betreft het behandelen van koelmiddelen volgens een specifieke evaluatie die wordt erkend door associaties in de industrie.
- Reparaties moeten worden uitgevoerd gebaseerd op de aanbevelingen van de fabrikant. Onderhoud en reparaties die ander gekwalificeerd personeel vereisen, moeten worden uitgevoerd onder toezicht van een persoon die gekwalificeerd is in het gebruik van ontvlambare koelmiddelen.

### Algemene veiligheidsinstructies

1. Het apparaat is alleen bedoeld voor gebruik binnenshuis.
2. Gebruik het apparaat niet met een stopcontact dat gerepareerd moet worden of niet correct is geplaatst.
3. Gebruik het apparaat niet in deze gevallen:
  - A: In de buurt van een brandhaard.
  - B: In een ruimte waar olie kan spetteren.
  - C: In een ruimte die aan direct zonlicht wordt blootgesteld.
  - D: In een ruimte waar water kan spetteren.
  - E: In de buurt van een bad, een wasmachine, een douche of een zwembad.
4. Plaats nooit uw vingers of staven in de luchtuitgang. Licht kinderen goed in over deze gevaren.
5. Houd het apparaat rechtop tijdens transport en opslag zodat de compressor goed blijft zitten.

## 1 Veiligheidsmaatregelen

6. Schakel de airconditioner altijd uit en koppel het apparaat los van de voedingsbron vóór het reinigen.
7. Schakel de airconditioner altijd uit, koppel het apparaat los van de voedingsbron en verplaats het langzaam.
8. Om brand te voorkomen mag de airconditioner niet worden afgedekt.
9. Alle stopcontacten van de airconditioner moeten voldoen aan de lokale elektrische veiligheidsvereisten. Controleer indien nodig deze vereisten.
10. Kinderen moeten onder toezicht om er zeker van te zijn dat ze niet spelen met het apparaat.
11. Als het stroomsnoer is beschadigd, moet deze door de fabrikant, een onderhoudsvertegenwoordiger of een vergelijkbaar gekwalificeerd persoon worden vervangen om gevaar te voorkomen.
12. Dit apparaat mag worden gebruikt door kinderen vanaf 8 jaar en ouder en personen met beperkte fysieke, zintuiglijke of mentale mogelijkheden, of door personen met gebrek aan ervaring en kennis, mits zij onder toezicht staan of instructies hebben gekregen van een voor hun veiligheid verantwoordelijke persoon en de mogelijke gevaren volledig begrijpen. Kinderen mogen niet met het apparaat spelen. Het reinigen en gebruiksonderhoud mag niet worden uitgevoerd door kinderen zonder toezicht.
13. Het product moet worden geïnstalleerd in naleving van de nationale regels die gelden voor bekabeling.



## 1 Veiligheidsmaatregelen

14. Details van de soort en het vermogen van de zekeringen:  
T, 250 V AC, 2 A of hoger.
15. Neem contact op met een gekwalificeerde onderhoudsmonteur voor reparatie of onderhoud van dit apparaat.
16. Trek, vervorm en wijzig het stroomsnoer niet en dompel het niet onder in water. Als u aan het stroomsnoer trekt of het onjuist gebruikt, kan dit leiden tot schade aan het apparaat en kan het elektrische schokken veroorzaken.
17. Naleving van de landelijke gasregelgevingen moet worden nageleefd.
18. Houd de ventilatieopeningen vrij van obstakels.
19. Enige persoon die is betrokken bij het werken met of het inbreken in een koelcircuit, moet in het bezit zijn van een actueel geldig certificaat van een door de bedrijfstak erkende beoordelingsautoriteit, die hun vakbekwaamheid autoriseert voor het veilig omgaan met koelmiddelen in overeenstemming met een door de bedrijfstak erkende beoordelingsspecificatie.
20. Onderhoud mag alleen worden uitgevoerd zoals door de fabrikant van de apparatuur wordt aanbevolen. Onderhoud en reparaties die assistentie van andere vakbekwaam personeel vereisen, moeten worden uitgevoerd onder toezicht van een persoon die deskundig is in het gebruik van brandbare koelmiddelen.
21. Start of stop het apparaat niet door het stroomsnoer in een stopcontact te doen of het eruit te trekken, dit kan elektrische schokken of brand veroorzaken door hittegeneratie.

## 1 Veiligheidsmaatregelen

22. Koppel het apparaat los bij vreemde geluiden, een vreemde geur of rook.
23. Dit apparaat mag niet worden gebruikt door personen (met inbegrip van kinderen) met beperkte fysieke, zintuiglijke of mentale mogelijkheden, of door personen met gebrek aan ervaring en kennis, tenzij deze onder toezicht staan of instructies hebben gekregen van een voor hun veiligheid verantwoordelijke persoon.
24. Als het stroomsnoer is beschadigd, moet deze door de fabrikant, een onderhoudsvertegenwoordiger of een vergelijkbaar gekwalificeerd persoon worden vervangen om gevaar te voorkomen.
25. Het apparaat moet de isolatie van een aardlekschakelaar (RCD) vermelden, waarbij de opgegeven lekstroom niet groter is dan 30 mA.
26. Dit apparaat is bestemd om te worden gebruikt in huishoudens en vergelijkbare toepassingen, zoals
- Ruimtes voor personeelskeukens in winkels, kantoren en andere werkomgevingen;
  - boerderijen;
  - door gasten in hotels, motels en andere woonomgevingen;
  - omgevingen zoals logies en ontbijt;
- Het apparaat moet de isolatie van een aardlekschakelaar (RCD) vermelden, waarbij de opgegeven lekstroom niet groter is dan 30 mA.

# 1 Veiligheidsmaatregelen

## 27. Impedantieverklaring

Deze apparaten kunnen alleen worden aangesloten op een voeding met een systeemimpedantie van niet meer dan  $0,367\Omega$ . Raadpleeg indien nodig uw leverancier voor informatie over systeemimpedantie.



### Opmerking:

- Als onderdelen zijn beschadigd, neem dan contact op met de verkoper of een aangewezen reparatiezaak.
- Schakel bij schade altijd de luchtschakelaar uit, koppel het stroomsnoer los en neem contact op met de verkoper of een aangewezen reparatiezaak.
- Het stroomsnoer moet in elk geval goed geplaatst zijn.
- Om gevaar te voorkomen, moet u de luchtschakelaar uitschakelen en het stroomsnoer loskoppelen indien het stroomsnoer beschadigd is. Het moet worden vervangen door de dealer of bij een aangewezen reparatiezaak.



## Waarschuwingen (alleen bij het gebruik van R290 koelmiddel)

### 1. Algemene instructies

#### 1.1 Controles voor de ruimte

Voordat u met systemen met ontvlambare koelmiddelen aan de slag gaat, moeten er een aantal veiligheidscontroles worden uitgevoerd om ervoor te zorgen dat het risico op ontsteking geminimaliseerd wordt. Voor reparaties aan het koelsysteem moeten de volgende voorzorgsmaatregelen in acht worden genomen voordat er aan het systeem wordt gewerkt.

#### 1.2 Werkprocedure

De werkzaamheden moeten worden uitgevoerd volgens een gecontroleerde procedure om het risico op ontsteking van ontvlambaar gas of ontvlambare damp te minimaliseren.

#### 1.3 Algemeen werkgebied

Al het onderhoudspersoneel en anderen die in de directe omgeving werken, moeten worden geïnstrueerd over de aard van de uitgevoerde werkzaamheden. Werk in besloten ruimtes moet worden vermeden. De ruimte rondom de werkplek moet worden afgezet. Zorg ervoor dat de omstandigheden binnen de ruimte veilig zijn gesteld door controle op brandbare materialen.

#### 1.4 Controle op aanwezigheid van koelmiddel

De ruimte moet worden gecontroleerd met een geschikte koelmiddeldetector vóór en tijdens de werkzaamheden om te garanderen dat de technicus zich bewust is van een mogelijk brandbare atmosfeer. Zorg dat de lekdetectieapparatuur die wordt gebruikt gepast is voor gebruik met ontvlambare koelmiddelen, d.w.z. vonkvrij, goed verzegeld of intrinsiek veilig.

# 1 Veiligheidsmaatregelen

## 1.5 Aanwezigheid van brandblussers

Als er enige hete werkzaamheden op de koelapparatuur of enige bijbehorende onderdelen moeten worden uitgevoerd, moet er geschikte brandblusapparatuur binnen handbereik beschikbaar zijn. Zorg voor een poeder- of CO<sub>2</sub>-brandblusser naast het vulgebied.

## 1.6 Geen ontstekingsbronnen

Niemand die werk uitvoert aan het koelsysteem dat betrekking heeft tot het leidingsysteem dat ontvlambaar koelmiddel bevat of heeft bevat mag ontstekingsbronnen gebruiken omdat hierdoor kans op brand of explosie ontstaat. Alle mogelijke ontstekingsbronnen, waaronder sigaretten roken, moeten op gepaste afstand van de installatie-, reparatie-, verwijderings- en afvoerlocatie worden gehouden op momenten dat ontvlambaar koelmiddel mogelijk kan vrijkomen in de omgeving. De ruimte rondom de apparatuur moet voorafgaand aan het uitvoeren van de werkzaamheden worden geïnspecteerd om te verzekeren dat er zich geen brandgevaar of risico op ontsteking voordoet. Er moeten borden met "Niet roken" worden weergegeven.

## 1.7 Geventileerd gebied

Zorg ervoor dat de ruimte open is of dat deze voldoende is geventileerd voordat u inbreekt in het systeem of enige hete werkzaamheden uitvoert. Er moet een bepaalde mate van ventilatie in stand blijven, tijdens de periode dat de werkzaamheden worden uitgevoerd. De ventilatie moet enige vrijkomend koelmiddel op veilige wijze verspreiden en het bij voorkeur extern in de atmosfeer uitstoten.

### 1.8 Controles van de koelapparatuur

Wanneer elektrische componenten worden vervangen, moeten deze geschikt zijn voor het doel en aan de juiste specificaties voldoen. De richtlijnen voor onderhoud en reparaties van de fabrikant moeten te allen tijde worden opgevolgd. Raadpleeg bij twijfel de technische afdeling van de fabrikant voor hulp. De volgende controles moeten worden uitgevoerd bij installaties met ontvlambare koelmiddelen: de ladinggrootte is in overeenstemming met de grootte van de kamer waarin de onderdelen met koelmiddelen worden geplaatst, de ventilatieapparatuur en -uitgangen werken goed en worden niet geblokkeerd, als er een indirect koelcircuit wordt gebruikt, moet het secundaire circuit worden gecontroleerd op aanwezigheid van koelmiddel, markering van de apparatuur moet zichtbaar en leesbaar blijven. Markeringen en tekens die onleesbaar zijn moeten worden gecorrigeerd, koelingsbuizen of -onderdelen moeten worden geplaatst in een positie waarbij ze niet worden blootgesteld aan substanties die onderdelen met koelmiddel kunnen aantasten, tenzij de onderdelen uit materialen bestaan die bestendig zijn tegen aantasting of die beschermd zijn tegen aantasting.

# 1 Veiligheidsmaatregelen

## 1.9 Controles van elektrische apparaten

Reparaties en onderhoud aan elektrische componenten moeten procedures voor initiële veiligheidscontroles en inspectie van componenten inhouden. Als er zich een storing voordoet die de veiligheid in gevaar zou kunnen brengen, dan mag er geen elektrische stroomvoorziening op het circuit worden aangesloten totdat de storing bevredigend is verholpen. Als de storing niet onmiddellijk kan worden gecorrigeerd, maar het noodzakelijk is om het bedrijf voort te zetten, moet er een geschikte tijdelijke oplossing worden toegepast. Dit moet aan de eigenaar van de apparatuur worden gerapporteerd, zodat alle partijen worden geïnformeerd.

Initiële veiligheidscontroles zijn: de condensators zijn ontladen, dit moet op een veilige manier worden gedaan om de kans op vonken te voorkomen; er mogen geen elektrische onderdelen en kabels zijn blootgesteld tijdens het vullen, terugwinnen of reinigen van het systeem; er moet ononderbroken aardingsverbinding zijn.

## 2. Reparaties van verzegelde onderdelen

2.1 Tijdens reparaties van verzegelde onderdelen moeten alle elektrische onderdelen losgekoppeld zijn van het apparaat waaraan gewerkt wordt voordat de verzegelde ventielen, etc. verwijderd worden. Als het absoluut nodig is om elektriciteit te hebben tijdens het onderhoud, moet er een permanent werkende vorm van lekdetectie worden geplaatst op het meest kritieke punt voor het geval van een mogelijk gevaarlijke situatie.

## 1 Veiligheidsmaatregelen

2.2 Er moet met name aandacht worden besteed aan het volgende om te zorgen dat de behuizing tijdens de werkzaamheden aan de elektrische onderdelen niet zodanig wordt aangepast dat het beschermingsniveau wordt beïnvloed. Dit omvat schade aan kabels, een overmatig aantal verbindingen, terminals die niet volgens de oorspronkelijke specificaties zijn gemaakt, schade aan de verzegelingen, onjuiste plaatsing van afdichtingen, enz. Zorg dat het apparaat goed bevestigd is. Zorg dat de verzegelingen of het afdichtingsmateriaal niet zodanig aangetast is dat het niet meer in staat is om bescherming te bieden tegen de binnendringing van ontvlambare atmosferen. Vervangende onderdelen moeten voldoen aan de specificaties van de fabrikant.



**Opmerking:** Het gebruik van een silicone afdichting kan de effectiviteit van sommige soorten lekdetectieapparatuur belemmeren. Intrinsiek veilige onderdelen hoeven niet geïsoleerd te worden voordat u ermee aan de slag gaat.



# 1 Veiligheidsmaatregelen

## 3. Reparaties van de intrinsiek veilige onderdelen.

Pas geen permanente inductieve of capacitieve ladingen toe op het circuit zonder te controleren of deze de toegestane voltage en spanning voor het apparaat niet overschrijden.

Intrinsiek veilige onderdelen zijn de enige types waaraan gewerkt kan worden in een ontvlambare atmosfeer. Het testapparaat moet de correcte rating hebben. Vervang onderdelen alleen door onderdelen die zijn gespecificeerd door de fabrikant. Andere onderdelen kunnen leiden tot ontsteking van het koelmiddel in de atmosfeer door een lek.

## 4. Bekabeling

Controleer of de kabel niet onderhevig is aan slijtage, aantasting, overmatige druk, vibraties, scherpe randen en andere nadelige omgevingseffecten. Tijdens de controle moet u ook kijken of de kabel niet versleten is en dat er geen ononderbroken vibraties afkomstig van bronnen zoals compressors of ventilatoren aanwezig zijn.

## 5. Detectie van ontvlambare koelmiddelen

Er mogen onder geen enkele omstandigheden mogelijke ontstekingsbronnen worden gebruikt tijdens het zoeken naar of de detectie van koelmiddellekken. Een halogenide zaklamp (of een andere detector met een naakte vlam) mag niet worden gebruikt.

## 6. Methodes voor lekdetectie

De volgende methodes voor lekdetectie zijn acceptabel voor systemen met ontvlambare koelmiddelen. Elektronische lekdetectors kunnen worden gebruikt om ontvlambare koelmiddelen te detecteren, maar de gevoeligheid is mogelijk niet nauwkeurig of moet gekalibreerd worden. (Detectieapparatuur moet worden gekalibreerd in een koelmiddelvrije ruimte.) Zorg dat de detector geen mogelijke ontstekingsbron is en geschikt is voor het koelmiddel dat wordt gebruikt. Lekdetectieapparatuur moet worden ingesteld op een percentage van de LFL van het koelmiddel en moet worden gekalibreerd voor het koelmiddel dat wordt gebruikt en wanneer het gepaste gaspercentage (25% maximaal) is bevestigd. Lekdetectievloeistoffen zijn geschikt voor gebruik met de meeste koelmiddelen, maar het gebruik van schoonmaakmiddelen moet worden vermeden omdat chloor kan reageren op het koelmiddel en de koperen buizen kan aantasten. Als u denkt dat er een lek is, moeten alle vlammen worden verwijderd/gedoofd. Als er een koelmiddellek wordt gevonden dat gesoldeerd moet worden, moet al het koelmiddel uit het systeem worden gehaald of worden geïsoleerd (door de ventielen te sluiten) in een deel van het systeem, uit de buurt van het lek. Zuurstofvrije stikstof (OFN) moet worden gezuiverd door het systeem, zowel vóór als tijdens het soldeerproces.

## 7. Verwijdering en leeg laten lopen

Wanneer u het koelcircuit opent voor reparaties, of voor andere doeleinden, moeten er conventionele procedures worden gebruikt. Het is echter belangrijk dat de best practice wordt gevolgd omdat brandbaarheid in overweging moet worden genomen. De volgende procedure moet gevolgd worden: verwijder het koelmiddel, reinig het circuit met inert gas, laat het leeglopen, reinig nogmaals met inert gas, open het circuit door te snijden of te solderen. De koelmiddelvulling moet in de juiste terugwincilinders worden gedaan. Het systeem moet worden 'gespoeld' met OFN zodat het apparaat weer als veilig kan worden beschouwd. Dit proces moet mogelijk een aantal keer herhaald worden. Er mag geen perslucht of zuurstof worden gebruikt voor deze taak. Het spoelen doet u door het vacuüm in het systeem met OFN te breken en het te blijven vullen tot de werkdruk is bereikt, daarna moet de atmosfeer worden geventileerd en ten slotte moet het in een vacuüm worden getrokken. Dit proces moet worden herhaald tot er geen koelmiddel meer in het systeem zit. Wanneer de laatste OFN-vulling is gebruikt, moet het systeem worden geventileerd tot atmosferische druk zodat de werkzaamheden kunnen worden uitgevoerd. Deze handeling is essentieel als er aan de buizen wordt gesoldeerd. Zorg dat de uitgang van de vacuümpomp niet te dicht bij een ontstekingsbron is en dat er ventilatie beschikbaar is.

## 8. Vulprocedures

Naast de normale vulprocedures, moeten de volgende vereisten worden gevolgd.

## 1 Veiligheidsmaatregelen

- Zorg dat er geen verontreiniging optreedt door verschillende koelmiddelen bij het gebruik van vulapparatuur. Slangen of leidingen moeten zo kort mogelijk worden gehouden om de hoeveelheid koelmiddel in de slangen of leidingen te minimaliseren.
- Cilinders moeten rechtop worden gehouden.
- Zorg dat het koelsysteem geaard is vóór u het systeem vult met koelmiddel.
- Markeer het systeem wanneer het vullen is voltooid (als dat niet al is gebeurd).
- Let goed op dat u het koelsysteem niet te vol vult.

Voor u het systeem opnieuw vult, moet de druk worden beproefd met OFN. Het systeem moet op lekkage worden getest na voltooiing van het vullen maar vóór inbedrijfstelling. Er moet een tweede lektest worden uitgevoerd voordat u de locatie verlaat.

## 9. Buitengebruikstelling

Voor u deze procedure uitvoert, is het essentieel dat de monteur volledig bekend is met de apparatuur en alle details. Het wordt als een goede praktijk gezien dat al het koelmiddel veilig wordt teruggewonnen. Voordat deze taak wordt uitgevoerd, moet er een olie- en koelmiddelmonster worden afgenomen voor het geval een analyse vereist is voor het hergebruik van teruggewonnen koelmiddel. Het is essentieel dat er stroom beschikbaar is vóór de taak wordt gestart.

## 1 Veiligheidsmaatregelen

- a) Leer de apparatuur en de bediening kennen.
- b) Isoleer het systeem elektrisch.
- c) Zorg er óór u de procedure start voor dat: er mechanisch afhandelingsmaterieel beschikbaar is, indien nodig, voor het behandelen van de koelcilinders; alle persoonlijke beschermingsapparatuur beschikbaar is en correct wordt gebruikt; het terugwinproces te allen tijde wordt overzien door een competent persoon; de terugwinningsapparatuur en -cilinders voldoen aan de gepaste normen.
- d) Pomp het koelsysteem leeg, indien mogelijk.
- e) Als een vacuüm niet mogelijk is, maak dan een spuitstuk zodat het koelmiddel uit verschillende onderdelen van het systeem kan worden verwijderd.
- f) Zorg dat de cilinder op de schalen staat vóór de terugwinning plaatsvindt.
- g) Start de terugwinningsmachine en bedien deze in overeenstemming met de instructies van de fabrikant.
- h) Vul de cilinders niet te vol. (Niet meer dan 80% vloeibare inhoud).
- i) Overschrijd de maximale werkdruk van de cilinder niet, ook niet tijdelijk.
- j) Wanneer de cilinders correct gevuld zijn en het proces voltooid is, verwijder de cilinders en de apparatuur dan snel en zorg dat alle isolatieventielen op het apparaat zijn gesloten.
- k) Teruggewonnen koelmiddel mag niet in een ander koelsysteem worden gevuld, tenzij het is gereinigd en gecontroleerd.

## 10. Markeren

De apparatuur moet worden gemarkeerd als buiten gebruik gesteld en geleegd van koelmiddel. Het label moet gedagtekend en getekend zijn.

Zorg dat alle labels op het apparaat vermelden dat het apparaat ontvlambaar koelmiddel bevat.

## 11. Herstel

Wanneer u koelmiddel uit een systeem verwijdert, voor onderhoud of buitengebruikstelling, wordt het aanbevolen dat al het koelmiddel veilig wordt verwijderd. Wanneer u koelmiddel in cilinders plaatst, zorg dan dat alleen geschikte cilinders voor koelstofterugwinning worden gebruikt. Zorg dat het juiste aantal cilinders beschikbaar is voor de totale vulling van het systeem. Alle cilinders die worden gebruikt zijn bestemd voor het teruggewonnen koelmiddel en gemarkeerd voor dat koelmiddel (d.w.z. speciale cilinders voor de terugwinning van koelmiddel). Cilinders moeten een overdrukventiel en bijbehorende afsluitklep hebben voor een goede werking. Lege terugwinningscilinders moeten worden geëvacueerd en, indien mogelijk, afgekoeld voordat terugwinning plaatsvindt.

## 1 Veiligheidsmaatregelen

De terugwinningsapparatuur moet goed werken en instructies bevatten en het moet geschikt zijn voor de terugwinning van ontvlambare koelmiddelen. Daarnaast moet er een set gekalibreerde, goed werkende weegschalen beschikbaar zijn. Slangen moeten een lekvrije loskoppelingen hebben en in goede staat zijn. Voordat u de terugwinningsmachine gebruikt, controleert u of deze goed werkt, goed onderhouden is en dat bijbehorende elektrische onderdelen verzegeld zijn om ontsteking te voorkomen in het geval dat er koelmiddel vrijkomt. Raadpleeg bij twijfel de fabrikant.

Het teruggewonnen koelmiddel moet worden teruggebracht naar de leverancier in de juiste terugwinningscilinder en er moet een relevant afvaloverdrachtsnotitie aanwezig zijn. Meng geen koelmiddelen in terugwinningseenheden, vooral niet in cilinders.

Als compressors of compressoroliën verwijderd moeten worden, zorg dan dat ze geëvacueerd zijn naar een acceptabel niveau om er zeker van te zijn dat er geen ontvlambaar koelmiddel meer in het smeermiddel zit. Het leegloopproces moet worden uitgevoerd vóór u de compressor naar de leveranciers retourneert. Alleen elektrische verwarming mag worden toegepast bij de compressorbehuizing om dit proces te versnellen. Wanneer olie uit het systeem wordt gelaten, moet dit veilig gebeuren.

# 1 Veiligheidsmaatregelen



## Opmerkingen over gefluoreerde gassen:

- Gefluoreerde broeikasgassen bevinden zich in hermetisch afgesloten apparatuur. Voor specifieke informatie over het type, de hoeveelheid en het CO<sub>2</sub> equivalent in tonnen van de gefluoreerde broeikasgassen (van sommige modellen), raadpleegt u het relevante label op het apparaat zelf.
- Installatie, service, onderhoud en reparatie van dit apparaat moet worden uitgevoerd door een erkende monteur.
- Deinstallatie en recycling moet worden uitgevoerd door een erkende monteur.

## Competentie van onderhoudspersoneel

### Algemeen

Er is speciale training vereist in aanvulling op de gebruikelijke reparatieprocedures voor koelapparatuur als apparatuur met brandbare koelmiddelen wordt beïnvloed.

In veel landen wordt deze training verzorgd door nationale opleidingsinstituten die officieel zijn erkend om de relevante nationale normen voor vakbekwaamheid te onderwijzen, die in wetgeving kan zijn vastgelegd.

De bereikte vakbekwaamheid moet door een certificaat worden gedocumenteerd.



# 1 Veiligheidsmaatregelen

## Training

De training moet het volgende bevatten:

Informatie over de kans op explosie van ontvlambare koelmiddelen om aan te tonen dat ontvlambare stoffen gevaarlijk kunnen zijn als er niet voorzichtig mee omgegaan wordt.

Informatie over mogelijke ontstekingsbronnen, vooral de bronnen die niet vanzelfsprekend zijn, zoals aanstekers, lichtschakelaars, stofzuigers en elektrische verwarmingen.

Informatie over de verschillende veiligheidsconcepten:

Ongeventileerd - (zie clausule GG.2) Veiligheid van het apparaat is niet afhankelijk van de ventilatie van de behuizing. Als u het apparaat uitschakelt of de behuizing opent heeft dit geen effect op de veiligheid. Het is hoe dan ook mogelijk dat lekkend koelmiddel zich kan ophopen in de behuizing en dat ontvlambare atmosfeer kan vrijkomen wanneer de behuizing wordt geopend.

Geventileerde behuizing - (zie clausule GG.4) Veiligheid van het apparaat is afhankelijk van de ventilatie van de behuizing. Als u het apparaat uitschakelt of de behuizing opent heeft dit effect op de veiligheid. Zorg dat er voldoende ventilatie is voor u dit doet.

Geventileerde ruimte - (zie clausule GG.5) Veiligheid van het apparaat is afhankelijk van de ventilatie van de ruimte. Als u het apparaat uitschakelt of de behuizing opent heeft dit geen effect op de veiligheid. De ventilatie van de ruimte mag niet worden uitgeschakeld tijdens de reparatieprocedures.

Informatie over het concept van verzegelde onderdelen en verzegelde behuizingen volgens IEC 60079-15:2010.

# 1 Veiligheidsmaatregelen

Informatie over de juiste werkprocedures:

## a) Inbedrijfstelling

- Zorg dat er voldoende vloeroppervlak is voor de koelmiddelvulling en dat het ventilatiekanaal correct is gemonteerd.
- Verbind de buizen en voer een lektest uit voor u het apparaat vult met koelmiddel.
- Controleer de veiligheidsapparatuur voor u het apparaat gebruikt.

## b) Onderhoud

- Draagbare apparatuur moet buiten worden gerepareerd of in een werkplaats die speciaal is uitgerust voor het onderhoud van apparaten met ontvlambare koelmiddelen.
- Zorg dat er voldoende ventilatie is in de reparatieruimte.
- Houd er rekening mee dat een defect aan het apparaat kan worden veroorzaakt door verlies of lekkage van koelmiddel.
- Ontmantel condensatoren zodanig dat er geen vonken kunnen ontstaan. De standaardprocedure om de condensatorterminals kort te sluiten creëert meestal vonken.
- Plaats de verzegelde behuizingen nauwkeurig terug. Als afdichtingen versleten zijn, moet u ze vervangen.
- Controleer de veiligheidsapparatuur voor u het apparaat gebruikt.

## c) Reparatie

- Draagbare apparatuur moet buiten worden gerepareerd of in een werkplaats die speciaal is uitgerust voor het onderhoud van apparaten met ontvlambare koelmiddelen.

## 1 Veiligheidsmaatregelen

- Zorg dat er voldoende ventilatie is in de reparatieruimte.
- Houd er rekening mee dat een defect aan het apparaat kan worden veroorzaakt door verlies of lekkage van koelmiddel.
- Ontmantel condensatoren zodanig dat er geen vonken kunnen ontstaan.
- Wanneer er gesoldeerd moet worden, moeten de volgende procedures in de juiste volgorde worden uitgevoerd:
  - Verwijder het koelmiddel. Als de terugwinning niet vereist is volgens de landelijke regelgeving, laat het koelmiddel dan buiten wegllopen. Zorg dat het afgevoerde koelmiddel geen gevaar kan veroorzaken. Bij twijfel moet een iemand de uitlaat in de gaten houden. Zorg dat het afgevoerde koelmiddel niet terug in het gebouw kan stromen.
  - Laat het koelmiddelcircuit leeglopen.
  - Reinig het koelmiddelcircuit met stikstof voor 5 minuten.
  - Laat het opnieuw leeglopen.
  - Verwijder onderdelen die moeten worden teruggeplaatst door te snijden, niet door te solderen.
  - Reinig het soldeerpunt met stikstof tijdens het solderen.
  - Voer een lektest uit voor u het circuit vult met koelmiddel.
- Plaats de verzegelde behuizingen nauwkeurig terug. Als afdichtingen versleten zijn, moet u ze vervangen.
- Controleer de veiligheidsapparatuur voor u het apparaat gebruikt.

## 1 Veiligheidsmaatregelen

### d) Buitengebruikstelling

- Als de veiligheid wordt beïnvloed wanneer het apparaat buiten gebruik is gesteld, moet het koelmiddel worden verwijderd vóór buitengebruikstelling.
- Zorg dat er voldoende ventilatie bij het apparaat is.
- Houd er rekening mee dat een defect aan het apparaat kan worden veroorzaakt door verlies of lekkage van koelmiddel.
- Ontmantel condensatoren zodanig dat er geen vonken kunnen ontstaan.
- Verwijder het koelmiddel. Als de terugwinning niet vereist is volgens de landelijke regelgeving, laat het koelmiddel dan buiten weglopen. Zorg dat het afgevoerde koelmiddel geen gevaar kan veroorzaken. Bij twijfel moet een iemand de uitlaat in de gaten houden. Zorg dat het afgevoerde koelmiddel niet terug in het gebouw kan stromen.
- Laat het koelmiddelcircuit leeglopen.
- Reinig het koelmiddelcircuit met stikstof voor 5 minuten.
- Laat het opnieuw leeglopen.
- Vul met stikstof tot de atmosferische druk.
- Plaats een sticker op het apparaat die aangeeft dat het koelmiddel is verwijderd.

### e) Verwijdering

- Zorg dat er voldoende ventilatie is in de werkplaats.

## 1 Veiligheidsmaatregelen

- Verwijder het koelmiddel. Als de terugwinning niet vereist is volgens de landelijke regelgeving, laat het koelmiddel dan buiten weglopen. Zorg dat het afgevoerde koelmiddel geen gevaar kan veroorzaken. Bij twijfel moet een iemand de uitlaat in de gaten houden. Zorg dat het afgevoerde koelmiddel niet terug in het gebouw kan stromen.
- Laat het koelmiddelcircuit leeglopen.
- Reinig het koelmiddelcircuit met stikstof voor 5 minuten.
- Laat het opnieuw leeglopen.
- Snijd de compressor eruit en laat de olie weglopen.

### **Transport, markeringen en opslag voor apparaten met ontvlambare koelmiddelen**

#### **Transport van apparatuur met ontvlambare koelmiddelen**

Houd er rekening mee dat er extra transportregels kunnen bestaan met betrekking tot apparatuur met ontvlambaar gas. Het maximale aantal apparaten of de configuratie van het apparaat dat is toegestaan om samen te kunnen worden vervoerd wordt bepaald door de toepasbare transportregels.

#### **Markering van de apparatuur met symbolen**

Tekens voor vergelijkbare apparaten die in een werkgebied worden gebruikt worden meestal geregeld door lokale regels en geven de minimale vereisten voor veiligheids- en/of gezondheidssymbolen voor een werkplek.

## 1 Veiligheidsmaatregelen

Tekens voor vergelijkbare apparaten die in een werkgebied worden gebruikt worden meestal geregeld door lokale regels en geven de minimale vereisten voor veiligheids- en/of gezondheidssymbolen voor een werkplek.

Er mogen niet teveel symbolen samen worden geplaatst, omdat de effectiviteit hierdoor afneemt.

Pictogrammen moeten zo simpel mogelijk zijn en alleen de essentiële details bevatten.

### **Weggoien van apparatuur met ontvlambare koelmiddelen**

Raadpleeg de landelijke regelgeving.

### **Opslag van apparatuur/apparaten**

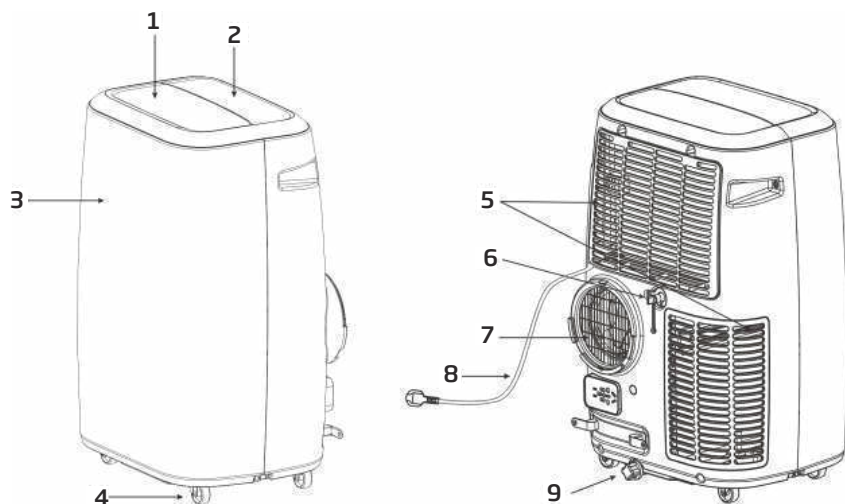
De opslag van apparatuur moet in overeenstemming zijn met de instructies van de fabrikant.

Opslag van het verpakte (nog niet verkochte) apparaat

Er moet worden voldaan aan de verpakkingsbescherming voor opslag, zodat mechanische schade aan het apparaat in de verpakking geen lek van het koelmiddel kan veroorzaken.

Het maximale aantal apparaten dat is toegestaan om samen te kunnen worden opgeslagen wordt bepaald door de lokale toepasbare transportregels.












## 2 Namen van de onderdelen



Afb. 1

1	Ventilatieklep	5	Luchtinlaat
2	Bedieningspaneel	6	Afvoeruitlaat
3	Voorklep	7	Luchtuitvoer
4	Wiel	8	Stroomkabel
		9	Afvoeruitlaat

### 3 Accessoires

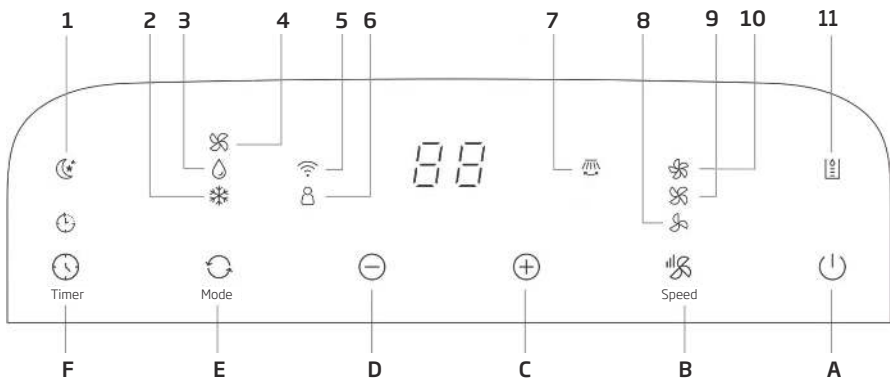
Onderdeel	Beschrijving	Hoeveelheid
	Uitlaatslang	1
	Vensteraansluiting	1
	Behuizingadapter	1
	Afstandsbediening	1
	Vensterset	1
	Plug	1
	Stofvensterset	1 (optioneel)
	Rollint	1 (optioneel)
	Luchtuitvoer	1
	Waterpijp	1
	Batterijen	2

Controleer na het uitpakken of de hierboven genoemde accessoires aanwezig zijn en bekijk waar ze voor bedoeld zijn in de installatie-introductie in deze handleiding.



## 4 Uiterlijk en functie van het bedieningspaneel

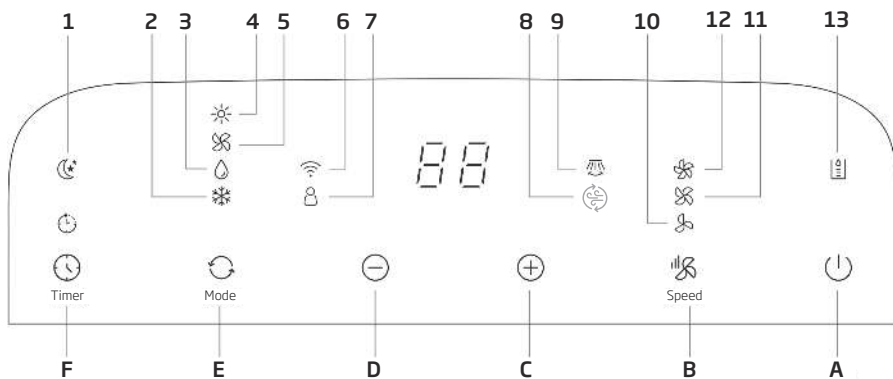
### 4.1 Model alleen afkoelen (niet omkeerbaar)



A	Voeding aan/uit	4	Ventilator
B	Ventilatorsnelheid	5	Draadloze functie
C	Temperatuur omhoog	6	Zone Follow (Zone volg)
D	Temperatuur omlaag	7	Automatisch draaien
E	Bedieningsmodus	8	Lage ventilatorsnelheid
F	Timer aan/uit	9	Gemiddelde ventilatorsnelheid
1	Slaapmodus	10	Afkoelen
2	Afkoelen	11	Water vol
3	Ontvochtigen		

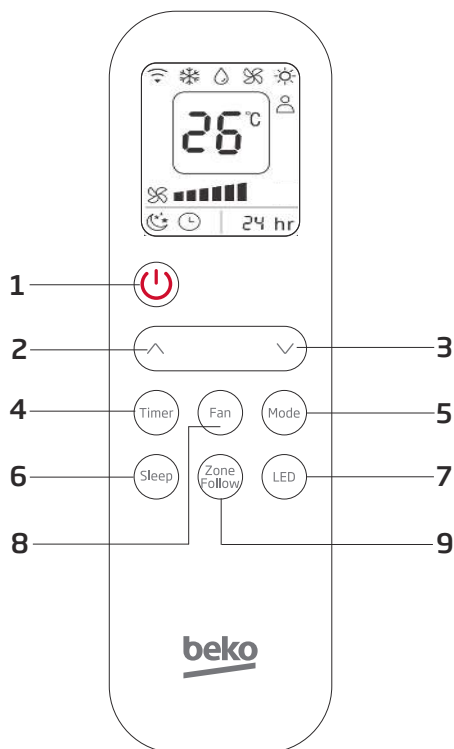
## 4 Uiterlijk en functie van het bedieningspaneel

### 4.2 AfModel afkoelen en verwarmingspomp (omkeerbaar)



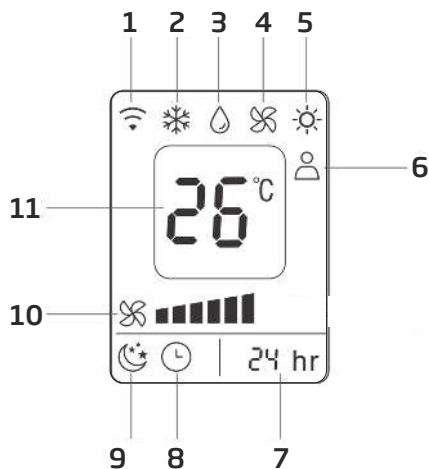
A	Voeding aan/uit	4	Verwarmen
B	Ventilatorsnelheid	5	Ventilator
C	Temperatuur omhoog	6	Draadloze functie
D	Temperatuur omlaag	7	Zone Follow (Zone volg)
E	Bedieningsmodus	8	Hepa 13-filterindicator (alleen aanwezig bij BP113H)
F	Timer aan/uit	9	Automatisch draaien
		10	Lage ventilatorsnelheid
1	Slaapmodus	11	Gemiddelde ventilatorsnelheid
2	Afkoelen	12	Afkoelen
3	Ontvochtigen	13	Water vol


## 5 Uiterlijk en functie van de afstandsbediening



1. Voeding aan/uit
2. Temperatuur omhoog
3. Temperatuur omlaag
4. Timer aan/uit
5. Bedieningsmodus
6. Slaapmodus
7. Led-scherm
8. Ventilatorsnelheid
9. Zone Follow (Zone volg)

## 5 Uiterlijk en functie van de afstandsbediening



- |   |                        |
|---|------------------------|
| 1. Ontvangersignaal  | 7. Timing              |
| 2. Afkoelen   | 8. Timer aan/uit       |
| 3. Ontvochtigen   | 9. Slaapmodus          |
| 4. Ventilator   | 10. Ventilatorsnelheid |
| 5. Verwarmen  | 11. Temperatuurscherm  |
| 6. Zone Follow (Zone volg)  |                        |



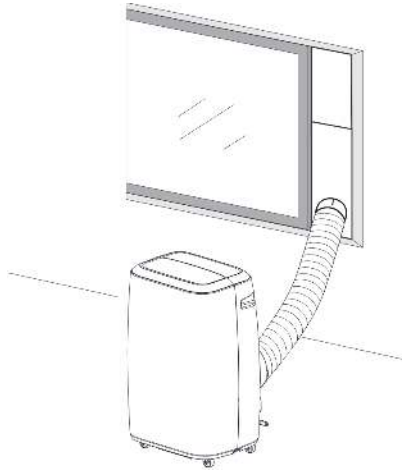
### Opmerking:

- Laat de afstandsbediening niet vallen.
- Plaats de afstandsbediening niet op een plek die is blootgesteld aan direct zonlicht.

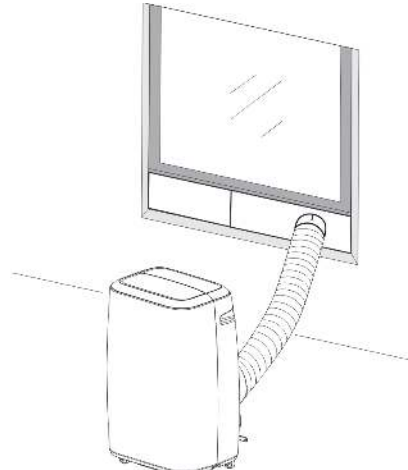
## 6 Introductie bediening

Voordat u in dit gedeelte de bediening begint:

1. Zoekt u naar een plek in de buurt van een voedingsbron.
2. Installeer zoals weergegeven in afb. 5 en afb. 5a de uitlaatslang en pas de vensterpositie aan.



Afb. 5



Afb. 5a

3. Sluit de afvoerslang goed aan (alleen voor het gebruik van het verwarmingsmodel).
4. Plaats de stroomkabel in een geaard AC 220~240 V/50 Hz stopcontact.
5. Druk op de aan-/uitknop om de airconditioner in te schakelen.

### 6.1 Vóór gebruik

**Opmerking:**

- **Bereik bedrijfstemperatuur:**

	Maximaal afkoelen	Minimaal afkoelen
DB/WB(°C)	35/24	18/12

	Maximaal verhitten	Minimaal verhitten
DB/WB(°C)	27/---	7/---

## 6 Introductie bediening

Controleer of de uitlaatslang goed is gemonteerd.

Waarschuwingen voor afkoelen en ontvochtigen:

- Wanneer u de functies afkoelen of ontvochtigen gebruikt, gebruik dan een interval van minstens drie minuten tussen elke aan-/uitschakeling.
- Voeding moet voldoen aan de vereisten.
- Het stopcontact is voor AC-gebruik.
- Deel een stopcontact niet met andere apparaten.
- Voeding is AC 220--240 V, 50 Hz

### 6.2 Koelfunctie

- Druk op de knop 'Mode' (modus) tot het pictogram 'afkoelen' wordt weergegeven.
- Druk op de knop 'omlaag' of 'omhoog' om de gewenste kamertemperatuur te selecteren. (16°C-31°C)
- Druk op de knop 'Wind' om een windsnelheid te selecteren.

### 6.3 Ontvochtigen

- Druk op de knop 'Mode' (modus) tot het pictogram 'ontvochtigen' wordt weergegeven.
- Automatisch de geselecteerde temperatuur instellen op de huidige kamertemperatuur min 2°C. (16°C-31°C)
- Automatisch de ventilatormotor instellen op lage windsnelheid.

### 6.4 Ventilator

- Druk op de knop 'Mode' (modus) tot het pictogram 'ventilator' wordt weergegeven.
- Druk op de knop 'Wind' om een windsnelheid te selecteren.

### 6.5 Verwarmen (deze functie is niet beschikbaar voor een koelapparaat)

- Druk op de knop 'Mode' (modus) tot het pictogram 'verwarmen' wordt weergegeven.
- Druk op de knop 'omlaag' of 'omhoog' om de gewenste kamertemperatuur te selecteren. (16°C-31°C)
- Druk op de knop 'Wind' om een windsnelheid te selecteren.

## 6 Introductie bediening

### 6.6 Timer

Timer instellen:

- Wanneer de airconditioner uit staat, drukt u op de knop 'Timer' en selecteert u de gewenste starttijd met de knoppen voor temperatuur- en tijdstellingen.
- 'Preset On Time' (inschakeltijd vooraf instellen) wordt weergegeven op het bedieningspaneel, na het instellen van de tijd 5 seconden, wordt 'ingestelde temperatuur' weergegeven op beide.
- Op tijd kan worden ingesteld op elk tijdstip van 0 tot 24 uur.

Timer uitzetten:

- Wanneer de airconditioner aan staat, drukt u op de knop 'Timer' en selecteert u de gewenste stoptijd met de knoppen voor temperatuur- en tijdstellingen.
- 'Preset Off Time' (uitschakeltijd vooraf uitzetten) wordt weergegeven op het bedieningspaneel.
- De stoptijd kan worden ingesteld op elk tijdstip van 0 tot 24 uur.

### 6.7 Automatisch draaien

- Deze functie kan alleen worden gerealiseerd via de Homewhiz-app.

### 6.8 Slaapmodus

- Druk in de afkoelmodus op de toets 'Sleep' (slaap) om de temperatuur in te stellen. Dit neemt na een uur toe met 1°C en het neemt maximaal met 2°C toe na 2 uur.
- Druk in de verwarmingsmodus op de toets Sleep (slaap) om de temperatuur in te stellen. Dit neemt na een uur met 1°C af en het neemt maximaal met 2°C af na 2 uur.
- Druk nogmaals op de toets 'Sleep' (slaap) om de instelling te annuleren.

### 6.9 Waterafvoer

Alarm water vol

- De interne waterlade in de airconditioner heeft een veiligheidsschakelaar voor het waterniveau, hiermee wordt het waterniveau gecontroleerd. Wanneer het waterniveau de geanticipeerde hoogte heeft bereikt, gaat het indicatorlampje Water vol branden. (Als de waterpomp beschadigd is wanneer het water vol is, verwijder dan de rubberen stop aan de onderkant van het apparaat, dan stroomt al het water weg.)

Continue afvoer

- Wanneer u het apparaat lange tijd niet wilt gebruiken, verwijdert u de rubberen stop uit het afvoergat aan de onderkant van het apparaat en sluit u de afvoerslang aan op de onderste bevestigingsclip. Al het water in de watertank zal wegstromen.

## 6 Introductie bediening

- U kunt het water afvoeren zoals hierboven omschreven wanneer het apparaat in de verwarmingsmodus en in de ontvochtigingsmodus staat.
- Als de waterpomp beschadigd is, kan continue afvoer worden gebruikt, op deze manier wordt de waterpomp niet geactiveerd. Het apparaat kan ook goed werken.  
Als de waterpomp beschadigd is, kunt u ook gebruik maken van onderbroken afvoer. Sluit in dit geval een afvoerslang aan op de onderste bevestigingsclip wanneer het lampje Water vol begint te branden, al het water stroomt dan weg. Het apparaat kan ook goed werken.

### 6.10 Draadloze functie

- Houd de knop Speed (Snelheid) 5 seconden ingedrukt om naar de modus Fabrieksinstellingen voor draadloos installeren te gaan.
- Het apparaat is verbonden met een draadloos netwerk als de indicator brandt, anders is er geen verbinding. Wanneer de indicator voor het draadloze netwerk langzaam knippert, staat het apparaat in de draadloze instellingsmodus, als de indicator snel knippert, heeft het apparaat verbinding met een draadloos netwerk.
- U kunt de meeste airconditionerfuncties uitvoeren via de mobiele app (HomeWhiz) wanneer deze met een draadloos netwerk is verbonden.

### 6.11 Functie Zone volgen

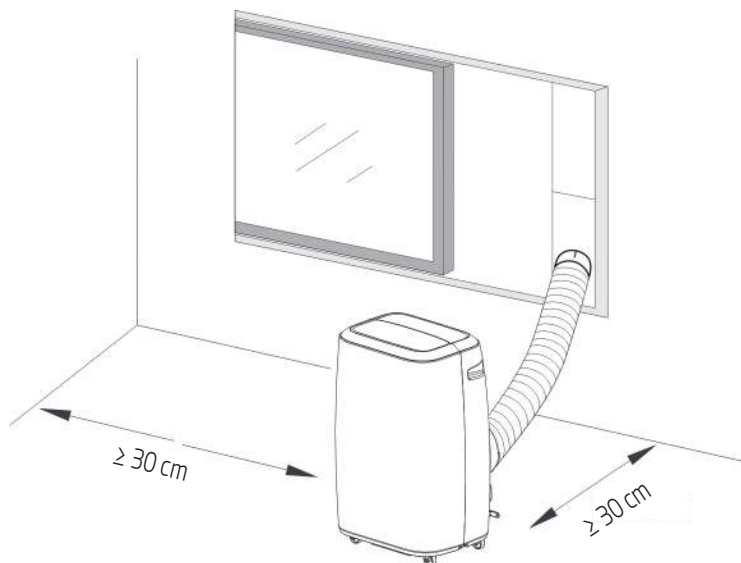
- U kunt de functie Zone volgen in- of uitschakelen met de afstandsbediening.
- Wanneer de functie is ingeschakeld, controleert het apparaat de temperatuur van de kamer met de temperatuursensor in de afstandsbediening (de kamertemperatuursensor in het apparaat werkt niet meer)
- De functie wordt uitgeschakeld als het apparaat 30 minuten geen signaal van de afstandsbediening ontvangt. Het apparaat schakelt over naar de normale kamertemperatuursensor in het apparaat om de temperatuur te controleren.



## 7 Installatie-uitleg

### 7.1 Installatie-uitleg:

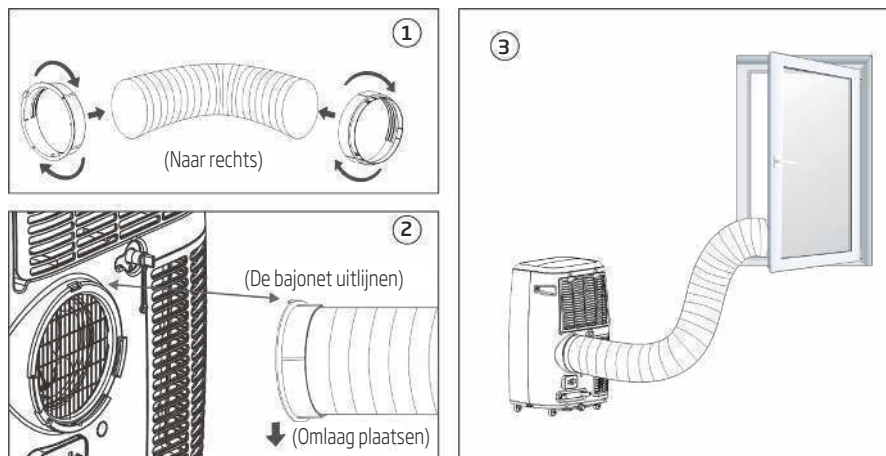
- De verwijderbare airconditioner moet worden geïnstalleerd op een vlak, leeg oppervlak. Blokkeer de luchtuitleet niet en de vereiste afstand moet minstens 30 cm zijn. (Zie afb. 8)
- Mag niet worden geïnstalleerd op een natte locatie, zoals de wasruimte.
- Bekabeling van het stopcontact moet in overeenstemming van de lokale elektrische veiligheidsvereisten uitgevoerd worden.



Afb. 8

## 7 Installatie-uitleg

### 7.2 Introductie van de installatie van de uitlaatslang



Afb. 9

#### Tijdelijke installatie

1. Draai beide einden van de uitlaatslang in de vierkante bevestigingsclip en de platte bevestigingsclip.
2. Plaats de vierkante bevestigingsclip in de openingen aan de achterkant van de airconditioner (zie afb. 9).
3. Plaats het andere eind van de uitlaatslang in de buurt van de vensterbank.

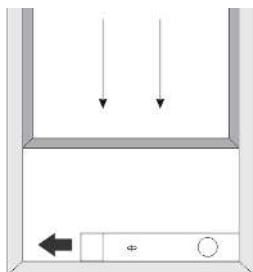
#### Installatieset schuifraam

De installatiemanier van een schuifvensterset is meestal 'horizontaal' en 'verticaal'. Zoals weergegeven in Afb. 10 en Afb. 10a, controleer het minimale en maximale formaat van het venster vóór de installatie.

1. Installeer de vensterset op het venster (Afb. 10, Afb. 10a);
2. Pas de lengte van de schuifvensterset aan afhankelijk van de vensterbreedte of -hoogte en zet het vast met de plug.
3. Plaats de vensteraansluitingslang in het gat van de vensterset.

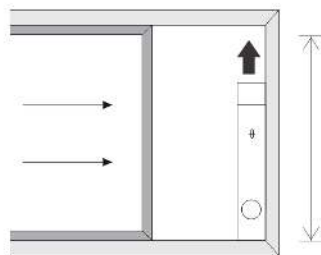
## 7 Installatie-uitleg

①



Vensterbreedte  
min: 67,5 cm  
max: 123 cm

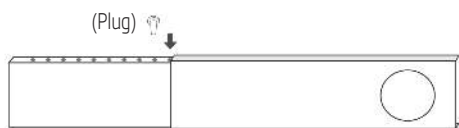
Afb. 10



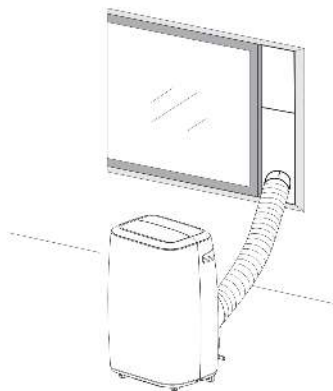
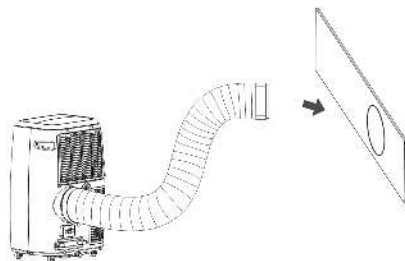
Vensterhoogte  
min: 67,5 cm  
max: 123 cm

Afb. 10a

②



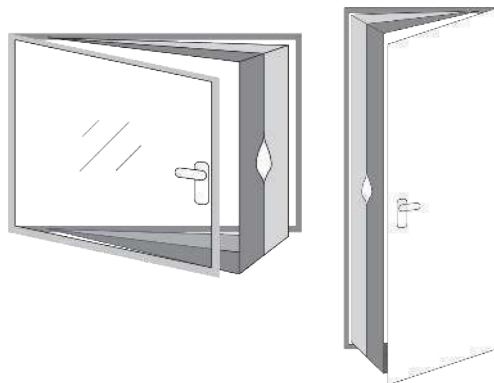
③



## 7 Installatie-uitleg

### 7.3 Universele afdichtset voor een mobiele airconditioner (optioneel)

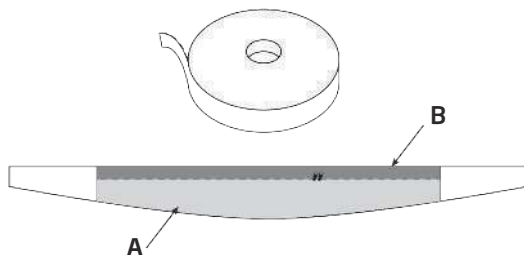
Gepast voor ramen en deuren



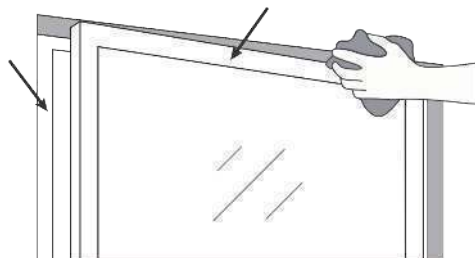
**Meegeliefert in deze set:**

1 stuk stof (4 m)

1 rol zelfklevende tape (9 m)

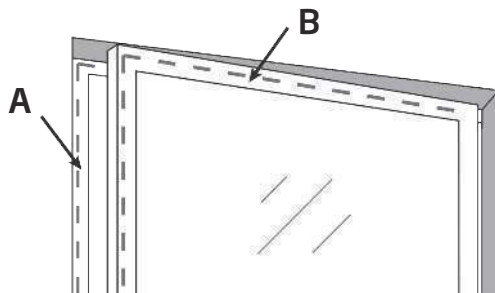


1. Open het venster en reinig de deuren en het frame voor u de tape vastplakt.

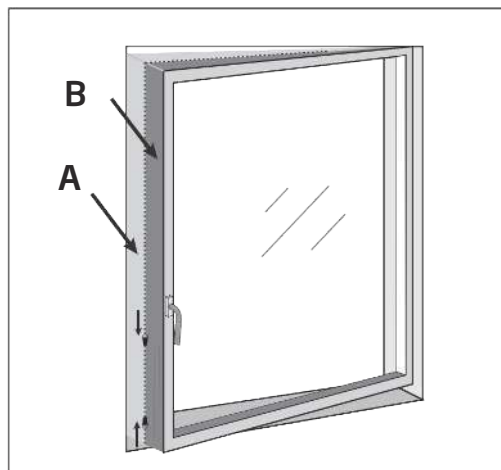


## 7 Installatie-uitleg

2. Snijd grote strepen van de zelfklevende tape af volgens de afmetingen van het venster. Lijm ze op het frame van het raam en doe hetzelfde op het binnenste oppervlak van de vensterklep (aan de kant van de hendel).

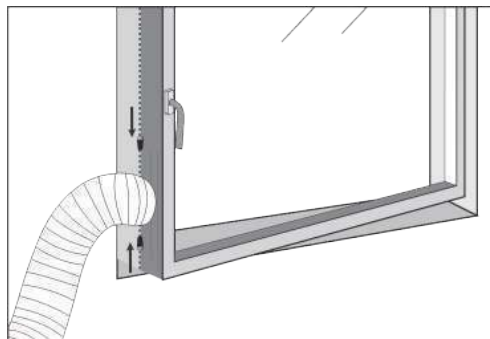


3. Lijm de breedste kant (A) van het grote stuk witte doek vast aan het vensterframe en lijm de smallere kant (B) vast aan de vensterkier (kant van de hendel) in het midden en vervolgens boven en beneden.



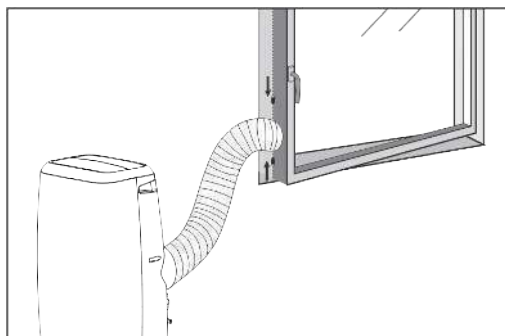
4. Sluit het venster en zorg dat het grote stuk stof niet vast zit in de sluitzomen en dat het venster altijd kan worden gesloten, zelfs met de zelfklevende tape.
5. Open het venster voorzichtig en open de rits van het stuk stof (vanaf de onderkant of het midden van het venster) en plaats de uitlaatslang in de opening. Sluit de rits weer zodat de uitlaatslang vast zit en er geen lucht uit kan komen.

## 7 Installatie-uitleg



6. De afdichtset is nu geïnstalleerd, u kunt de mobiele airconditioner nu inschakelen en genieten van de koelte!

Als u de mobiele airconditioner niet meer wilt gebruiken en uw raam wilt sluiten, kunt u de schede eenvoudigweg losmaken van de rits en uw venster sluiten, controleer dat de stof niet vast komt te zitten in de afdichting.



### Opmerking:



Als u een venster met een Franse opening en twee kieren hebt: Blokkeert u de eerste kier met de hendel en voert u de installatie van de afdichtset uit op de tweede kier (zonder de hendel).

Controleer voor de installatie of de zelfklevende tape uw venster niet beschadigt.

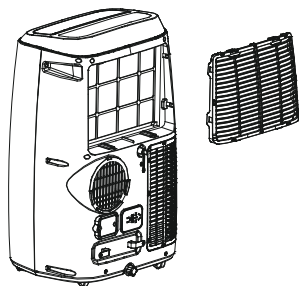
## 7 Installatie-uitleg

### 7.4 Gebruik de hepa 13-filter (alleen voor het BP113H-model)

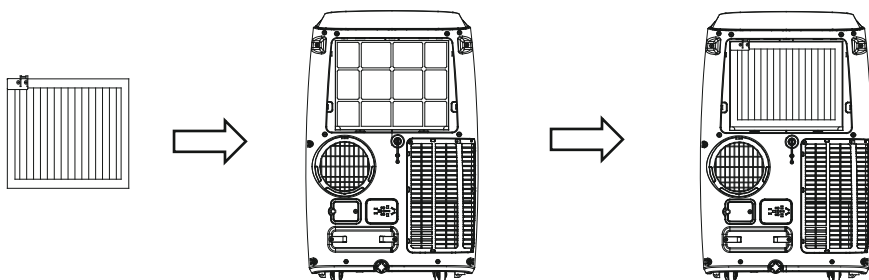
1. Wanneer u de Hepa 13-filter plaatst, wordt de frisheidsindicator ingeschakeld.
2. Met de luchtreinigingsfunctie werken de koelings- en ontvochtigingsfunctie niet.
3. Als u de koelings- en ontvochtigingsfunctie nodig hebt, moet u de Hepa 13-filter verwijderen.

De Hepa 13-filter plaatsen

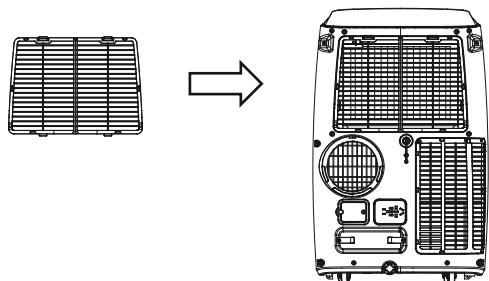
1. Verwijder de apparaatfilter.



2. Plaats de Hepa 13-filter.



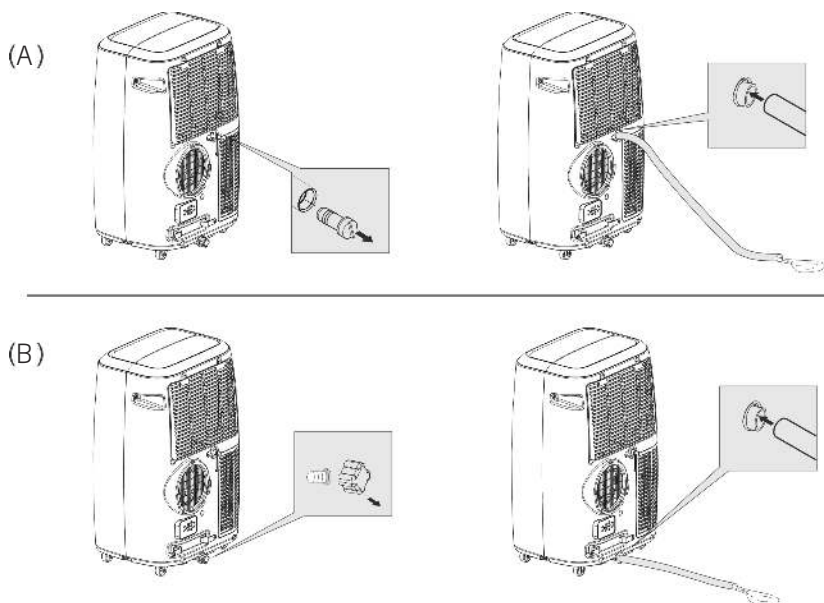
3. Plaats de apparaatfilter.



## 7 Installatie-uitleg

### 7.5 Alarm water vol

De interne waterlade in de airconditioner heeft een veiligheidsschakelaar voor het waterniveau, hiermee wordt het waterniveau gecontroleerd. Wanneer het waterniveau de geanticipeerde hoogte heeft bereikt, gaat het indicatorlampje Water vol branden. (Als de waterpomp beschadigd is wanneer het water vol is, verwijder dan de rubberen stop aan de onderkant van het apparaat, dan stroomt al het water weg.)



Het gat (A) aan de bovenkant wordt gebruikt om het water uit de mobiele airconditioner te laten stromen (verwijder de rubberen stop en plaats de afvoerslang op de opening) wanneer er veel vocht in de kamer is (in continue afvoer) of wanneer het product in de ontvochtigings- of verwarmingsmodus is.

Gat (B) aan de onderkant heeft een tank en wordt gebruikt wanneer het nodig is om de tank te legen (watertankalarm). Verwijder de rubberen stop en plaats de afvoerslang op het gat om het water uit de tank te laten lopen.



#### Opmerking:

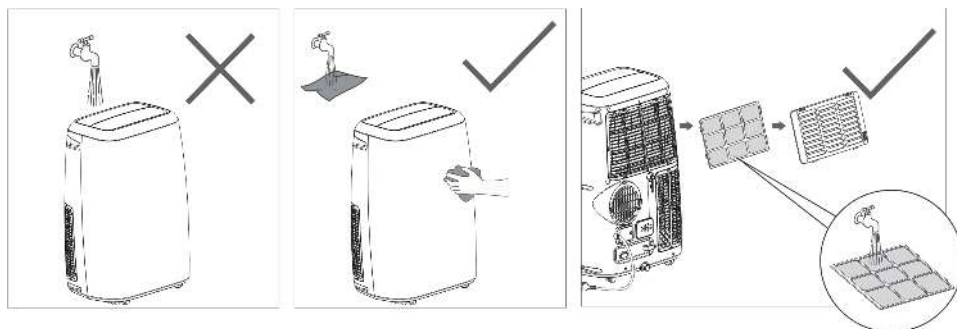
Let op bij het vullen van de watertank, soms moet er veel water uit de tank lopen. Het is dan het beste om de tank buiten of boven een grote kuip te legen zodat de kamer niet onder water komt te staan.



## 8 Onderhoudsuitleg

### Waarschuwing:

- Koppel het apparaat altijd los vóór reiniging of onderhoud.
- Gebruik geen ontvlambare vloeistoffen of chemicaliën om het apparaat te reinigen.
- Was het apparaat niet onder stromend water. Dit kan elektrisch gevaar veroorzaken.
- Gebruik de machine niet als de voeding tijdens het reinigen beschadigd is geraakt. Een beschadigde stroomkabel moet worden vervangen door een nieuwe kabel van de fabrikant.
- Als de airconditioner beschadigd is, neem dan contact op met de verkoper of een werkplaats.



### 8.1 De luchtfilter reinigen

- Als de luchtfilter verstopt zit met stof/vuil, moet de luchtfilter om de twee weken worden gereinigd.
- Demonteren  
Open het afzuigrooster en verwijder de luchtfilter.
- Reinigen  
Reinig de luchtfilter met een neutraal schoonmaakmiddel in lauw (40°C) water en laat het opdrogen in de schaduw.
- Montage  
Plaats de luchtfilter in het afzuigrooster en plaats de onderdelen weer terug.

## 8 Onderhoudsuitleg



### **Waarschuwing:**

Gebruik het apparaat niet zonder filter omdat vuil en pluis voor verstopping zorgen en de prestaties verminderen.

### **8.2 Het oppervlak van de airconditioner reinigen**

Reinig eerst het oppervlak met een neutraal schoonmaakmiddel en een natte doek en veeg het apparaat vervolgens af met een droge doek.

### Onderhoudstips

Reinig de luchtfilter elke 2 weken voor optimale prestaties.

De wateropvangbank moet onmiddellijk worden gelegegd bij een P1-fout en vóór opslag om schimmel te voorkomen.

In huishoudens met dieren moet u het rooster regelmatig afvegen om te voorkomen dat de luchtstroom wordt geblokkeerd door dierenhaar.

### Het apparaat reinigen

Reinig het apparaat met een vochtige, pluïsvrije doek en een mild schoonmaakmiddel. Droog het apparaat af met een droge, pluïsvrije doek.

### Het apparaat opslaan wanneer het niet in gebruik is

Laat de wateropvangbak van het apparaat leeglopen volgens de instructies in het volgende gedeelte.

Laat het apparaat 12 uur lang in een warme kamer in de ventilatormodus werken zodat het op kan drogen om schimmel te voorkomen.

Schakel het apparaat uit en koppel het los.

Reinig de luchtfilter volgens de instructies in het vorige gedeelte. Plaats de schone, droge filter terug voor u het apparaat opslaat.

Verwijder de batterijen uit de afstandsbediening.

Bewaar het apparaat op een koele, donkere plek. Blootstelling aan direct zonlicht of extreme hitte kan de levensduur van het apparaat verkorten.



**Opmerking:** De kast en voorkant kunnen worden afgestoft met een olievrije doek, of worden gewassen met een doek vochtig gemaakt met een oplossing van warm water en een mild afwasmiddel. Spoel goed af en veeg het apparaat droog. Gebruik nooit agressieve reinigingsmiddelen, was of poetsmiddel op de voorkant van de kast. Zorg dat u overtollig water uit de doek wringt vóór u rondom de bedieningselementen schoonmaakt. Overtollig water rond de bedieningselementen kan schade aan het apparaat veroorzaken.

## 10 Problemen oplossen

Problemen	Mogelijke oorzaken	Aanbevolen oplossingen
1. Het apparaat start niet wanneer ik op de aan-/uitknop druk	- Het indicatorlampje Water vol knippert en de watertank is vol.	Leeg de watertank.
	- De kamertemperatuur is hoger dan de ingestelde temperatuur. (Verwarmingsmodus)	Stel de temperatuur opnieuw in
	- De kamertemperatuur is lager dan de ingestelde temperatuur. (Afkoelmodus)	Stel de temperatuur opnieuw in
2. Niet koel genoeg	- De deuren of vensters zijn niet gesloten.	Zorg dat alle vensters en deuren gesloten zijn.
	- Er zijn warmtebronnen in de kamer.	Verwijder indien mogelijk alle warmtebronnen
	- De uitlaatslang is niet verbonden of wordt geblokkeerd.	De uitlaatslang aansluiten of reinigen
	- De temperatuurstelling is te hoog.	Stel de temperatuur opnieuw in
	- De luchtinvoer is geblokkeerd.	Reinig de luchtinlaat.
3. Luidruchtig	- Het oppervlak is niet recht of plat genoeg	Plaats het oppervlak op een zo vlak mogelijke ondergrond
	- De geluiden komen van het stromende koelmiddel in de airconditioner.	Dit is normaal.
4. E0-code	De kamertemperatuursensor werkt niet	Vervang de kamertemperatuursensor (het apparaat werkt ook zonder vervanging).
5. E1-code	De condensatortemperatuursensor werkt niet	Vervang de condensatortemperatuursensor
6. E2-code	Watertank is vol tijdens het afkoelen	Verwijder de rubberen stop en laat het water wegstromen.
7. E3-code	De verdampertemperatuursensor werkt niet	Vervang de verdampertemperatuursensor
8. E4-code	De watertank is vol tijdens het verwarmen	Leeg de watertank.



**Opmerking:** De daadwerkelijke producten kunnen er anders uitzien.

## 11 Europese richtlijnen voor afvalverwijdering

Wanneer u dit apparaat in Europese landen gebruikt, moet de volgende informatie worden nageleefd:

**Weggoeien:** Gooi dit product niet weg als ongesorteerd gemeentelijk afval. Het is noodzakelijk dat dit afval afzonderlijk wordt ingezameld voor speciale behandeling.

Het is verboden om dit apparaat weg te gooien met huishoudelijk afval.

Er zijn verschillende mogelijkheden om het apparaat weg te gooien.

- De gemeente heeft inzamelingssystemen opgezet waar elektronisch afval zonder kosten voor de gebruiker kan worden weggegooid.
- Wanneer u een nieuw product koopt, neemt de verkoper het oude product ook zonder kosten in.
- De fabrikant neemt ook zonder kosten oude producten in.
- Omdat oude producten waardevolle bronnen bevatten, kunnen ze ook worden verkocht aan schroothandelaren.

Het weggooien van afval in bossen en andere landschappen bedreigt het milieu omdat gevaarlijke substanties in het grondwater kan lekken en zo in de voedselketen terecht kan komen.



Dit symbool geeft aan dat dit product niet met ander huishoudelijk afval kan worden weggegooid aan het eind van de levensduur. Gebruikte apparaten moeten naar een officieel inzamelingspunt voor elektrische en elektronische apparaten worden gebracht. Voor de locatie van deze inzamelingspunten kunt u contact opnemen met de gemeente of verkoper waar u het product hebt aangeschaft. Elk huishouden speelt een belangrijke rol in het herstellen en recyclen van oude apparaten. Adequate verwijdering van gebruikte apparaten helpt mogelijke negatieve consequenties voor het milieu en de volksgezondheid te voorkomen.

## 12 Installatie-instructies

### 12.1 F-Gas instructie

Dit product bevat gefluoreerde broeikasgassen.

Deze gefluoreerde broeikasgassen zitten opgesloten in een hermetisch verzegelde uitrusting.

Installaties, services, onderhoud, reparaties, lekkagecontroles of buitendienststelling en terugwinning moeten worden uitgevoerd door natuurlijke personen in bezit van de vereiste certificaten.

Als er een systeem voor lekkagedetectie in het systeem is geïnstalleerd, moeten minstens elke 12 maanden lekkagecontroles worden uitgevoerd om te verifiëren dat het systeem nog steeds correct werkt.

Als lekkagecontroles op het product moeten worden uitgevoerd, dan dient er een inspectieschema te zijn gespecificeerd en moeten de lekkagecontroles worden genoteerd en bijgehouden.



**Opmerking:** Voor hermetisch verzegelde apparatuur, mobiele airconditionings, raamairconditionings en ontvochtigers met een CO<sub>2</sub>-gehalte van gefluoreerde broeikasgassen van lager dan 10 ton, hoeven geen lekkagecontroles te worden uitgevoerd.

## 13 Specificaties

Beko modelnaam	BP109C	BP112C	BP112H	BP113H	BP109AC	BP109AH
Koelmiddel	R290	R290	R290	R290	R290	R290
Totale hoeveelheid koelmiddel (g)	212	226	226	225	230	230
Klimaatklasse	T1	T1	T1	T1	T1	T1
Afkoelcapaciteit (Btu/u)	8871	11942	11942	12966	8530	8530
Afkoelcapaciteit (W)	2600	3500	3500	3800	2500	2500
Opwarmcapaciteit (Btu/u)	-	-	8871	10577	-	7165
Opwarmcapaciteit (W)	-	-	2600	3100	-	2100
Energie-efficiënte afkoeling (W/W) -EER	2,60	2,60	2,60	2,60	3,10	3,10
Energie-efficiënte verwarming (W/W) -COP	-	-	2,30	2,30	-	2,60
Energieniveau-afkoelen	A (EU 626/2011)	A (EU 626/2011)	A (EU 626/2011)	A (EU 626/2011)	A+ (EU 626/2011)	A+ (EU 626/2011)
Energieniveau-verwarming	-	-	A (EU 626/2011)	A (EU 626/2011)	-	A+ (EU 626/2011)
Opgenomen vermogen koelen (W)	1000	1346	1346	1462	806	806
Opgenomen vermogen verwarmen (W)	-	-	1130	1348	-	807
Spanning/Frequentie (V/Hz)	220-240 V~/50 Hz	220-240 V~/50 Hz	220-240 V~/50 Hz	220-240 V~/50 Hz	220-240 V~/50 Hz	220-240 V~/50 Hz
Energieniveau geluid (dBA) (Energie geluid)	65/63/61	65/63/61	65/63/61	65/63/61	65/63/61	65/63/61
Geluidsdruk niveau (dBA) (Geluidsdruk)	52/50/48	52/50/48	52/50/48	52/50/48	52/50/48	52/50/48
Volume luchtstroom (m <sup>3</sup> /u)	380	380	380	440	380	380
Vochtverwijdering (L/u)	1,0	1,2	1,2	1,5	1,0	1,0
Bereik bedrijfstemperatuur bij afkoelen (°C)	18°C-35°C	18°C-35°C	18°C-35°C	18°C-35°C	18°C-35°C	18°C-35°C
Bereik en opwarming bedrijfstemperatuur (°C)	-	-	7°C-27°C	7°C-27°C	-	7°C-27°C

## 13 Specificaties

---

1. De specificaties zijn standaardwaarden die worden berekend op basis van de normale werking. Ze zullen variëren in verschillende werkcondities.
2. Ons bedrijf heeft snelle technische verbeteringen. Er is geen voorafgaande kennisgeving voor elke wijziging van technische gegevens. Lees a.u.b. het typeplaatje op de airconditioner.
3. Nominale waarde wordt getest onder 35/24 (In.)35/24 (Uit).






# Lesen Sie zunächst diese Bedienungsanleitung durch

Sehr geehrte Kundinnen und Kunden,

vielen Dank, dass Sie sich für ein Produkt von Beko entschieden haben. Wir hoffen, dass Ihnen dieses Produkt optimalen Nutzen bringen wird. Dieses hochwertige Produkt wurde mit modernster Technologie hergestellt. Lesen Sie die gesamte Bedienungsanleitung und alle anderen Begleitdokumente sorgfältig durch, bevor Sie das Produkt verwenden, und heben Sie alle Dokumente gut auf. Falls Sie das Produkt an Dritte weitergeben, überreichen Sie auch diese Bedienungsanleitung. Beachten Sie alle Warnungen und Informationen in dieser Bedienungsanleitung.

## Erläuterung der Symbole


Die folgenden Symbole finden Sie im Verlauf der Bedienungsanleitung:

	Wichtige Information oder nützliche Hinweise für den Gebrauch.
--	--


	Warnung vor Situationen, die eine Gefahr für Leben und Sach Eigentum darstellen.
--	--


	Warnung bzgl. Handlungen, die niemals durchgeführt werden dürfen.
--	---

	Warnung vor Stromschlägen.
---	----------------------------

	Warnung vor heißen Oberflächen.
--	---------------------------------

	Nicht abdecken.
--	-----------------

	Dieses Symbol zeigt an, dass die Bedienungsanleitung sorgfältig gelesen werden sollte.
---	--

	Dieses Symbol zeigt an, dass Servicepersonal dieses Gerät unter Bezugnahme auf das Installationshandbuch handhaben sollte.
---	--

	Dieses Symbol zeigt an, dass dieses Gerät ein brennbares Kältemittel verwendet. Wenn das Kältemittel ausläuft und einer externen Zündquelle ausgesetzt ist, besteht Brandgefahr.
---	--



Dieses Produkt wurde in einer umweltgerechten, modernen Produktionsstätte hergestellt.

# Inhaltsverzeichnis

<b>1</b>	<b>Sicherheitshinweise</b>	<b>229</b>
<b>2</b>	<b>Teileübersicht</b>	<b>256</b>
<b>3</b>	<b>Zubehör</b>	<b>257</b>
<b>4</b>	<b>Aussehen und Funktion des Bedienfeldes</b>	<b>258</b>
4.1	Nur-Kühlungs-Modell (nicht reversibel).....	258
4.2	Kühl- und Wärmepumpenmodell (reversibel).....	259
<b>5</b>	<b>Aussehen und Funktion der Fernbedienung</b>	<b>260</b>
<b>6</b>	<b>Bedienungsanleitung</b>	<b>262</b>
6.1	Vor der Benutzung.....	262
6.2	Kühlbetrieb.....	263
6.3	Entfeuchterbetrieb.....	263
6.4	Lüfterbetrieb.....	263
6.5	Heizbetrieb (diese Funktion ist nicht für das Nur-Kühlen-Modell verfügbar).....	263
6.6	Timer-Betrieb.....	264
6.7	Automatisches Schwenken.....	264
6.8	Schlafmodus.....	264
6.9	Wasserablauf.....	264
6.10	Drahtlos-Funktion  .....	265
6.11	Verwendung des Thermostats in der Fernbedienung.....	265
<b>7</b>	<b>Montageanleitungen</b>	<b>266</b>
7.1	Montageanleitungen:.....	266
7.2	Einführung in die Montage von Abluftschläuchen.....	267
7.3	Universelles Verstemmungssatz-Zubehör für mobiles Klimagerät (optional).....	269
7.4	Wasser-voll-Alarm.....	272

# Inhaltsverzeichnis

---

<b>8 Tipps zur Wartung</b>	<b>273</b>
8.1 Reinigen des Luftfilters .....	273
8.2 Reinigen der Oberfläche des Klimageräts .....	274
<b>9 Wartung und Instandhaltung</b>	<b>275</b>
<b>10 Fehlerbehebung</b>	<b>276</b>
<b>11 Europäische Entsorgungsrichtlinien</b>	<b>277</b>
<b>12 Installationsanleitungen</b>	<b>278</b>
12.1 F-Gas-Anweisung .....	278
<b>13 Technische Daten</b>	<b>279</b>

---

# 1 Sicherheitshinweise

## Sehr wichtig

Bitte installieren oder verwenden Sie Ihr mobiles Klimagerät nicht, bevor Sie dieses Handbuch sorgfältig gelesen haben. Bitte bewahren Sie diese Bedienungsanleitung aus Gründen der Produktgewährleistung und zum späteren Nachschlagen auf.

## Warnung

Verwenden Sie keine Mittel oder Wege, um den Abtauvorgang zu beschleunigen oder das Gerät zu reinigen, außer den vom Hersteller empfohlenen.

Das Gerät ist in einem Raum ohne kontinuierlich betriebene Zündquellen zu lagern (z. B. offene Flammen, ein eingeschaltetes Gasgerät oder ein eingeschaltetes Elektroheizgerät).

Nicht durchbohren oder Feuer aussetzen.

Beachten Sie, dass Kältemittel möglicherweise keinen Geruch haben.

Das Gerät muss in einem Raum mit einer Bodenfläche von mehr als  $X \text{ m}^2$  installiert, betrieben und gelagert werden.

Modell	X (m <sup>2</sup> )
9.000 Btu/h, 10.000 Btu/h, 12.000 Btu/h, 13.000 Btu/h	12

### Warnhinweis (für R290)

Spezifische Informationen zu Geräten mit Kältemittelgas R290.

- Lesen Sie alle Warnhinweise gründlich durch.
- Verwenden Sie beim Abtauen und Reinigen des Geräts keine anderen als die vom Hersteller empfohlenen Werkzeuge.
- Das Gerät muss in einem Bereich ohne ständige Zündquellen (z. B. offene Flammen, in Betrieb befindliche Gas- oder Elektrogeräte) aufgestellt werden.
- Nicht durchstechen und keinem Feuer aussetzen.
- Dieses Gerät enthält Y g (siehe Typenschild auf der Rückseite des Geräts) des Kältemittelgases R290.
- R290 ist ein Kältemittelgas, das den europäischen Umweltrichtlinien entspricht. Kein Teil des Kältemittelkreislaufs darf durchstochen werden.
- Wenn das Gerät in einem unbelüfteten Raum installiert, betrieben oder gelagert wird, muss der Raum so beschaffen sein, dass die Bildung von Kältemittelleckagen verhindert wird, die zu einer Brand- oder Explosionsgefahr aufgrund der Entzündung des Kältemittels durch elektrische Heizgeräte, Öfen oder andere Zündquellen führen können.
- Das Gerät muss so gelagert werden, dass ein mechanisches Versagen verhindert wird.

## 1 Sicherheitshinweise

- Personen, die den Kältemittelkreislauf betreiben oder daran arbeiten, müssen über eine entsprechende Zertifizierung verfügen, die von einer akkreditierten Organisation ausgestellt wurde, die die Kompetenz im Umgang mit Kältemitteln gemäß einer spezifischen, von den Verbänden der Branche anerkannten Bewertung sicherstellt.
- Reparaturen müssen auf der Grundlage der Empfehlung der Herstellerfirma durchgeführt werden. Wartungs- und Reparaturarbeiten, die die Unterstützung anderer qualifizierter Personen erfordern, müssen unter der Aufsicht einer Person durchgeführt werden, die für den Umgang mit brennbaren Kältemitteln ausgebildet ist.

### Allgemeine Sicherheitsbestimmungen

1. Das Gerät ist nur für den Gebrauch in Innenräumen bestimmt.
2. Verwenden Sie das Gerät nicht an einer Steckdose, die repariert oder nicht ordnungsgemäß installiert ist.
3. Befolgen Sie die Vorsichtsmaßnahmen und benutzen Sie das Gerät nicht unter den unten genannten Umständen:
  - A: In der Nähe einer Feuerquelle.
  - B: In einem Bereich, in dem es wahrscheinlich ist, dass Öl verspritzt wird.
  - C: In einem Bereich, der direktem Sonnenlicht ausgesetzt ist.
  - D: In einem Bereich, in dem es wahrscheinlich ist, dass Wasser verspritzt wird.

## 1 Sicherheitshinweise

- E: In der Nähe einer Badewanne, einer Waschmaschine, einer Dusche oder eines Swimmingpools.
4. Stecken Sie niemals Ihre Finger oder Stangen in den Luftauslass. Achten Sie besonders darauf, Kinder vor diesen Gefahren zu warnen.
  5. Halten Sie das Gerät während des Transports und der Lagerung nach oben, damit der Kompressor richtig positioniert wird.
  6. Trennen Sie oder schalten Sie vor dem Reinigen des Klimageräts stets die Stromversorgung.
  7. Wenn Sie das Klimagerät bewegen, schalten Sie es immer aus, trennen Sie die Stromzufuhr und bewegen Sie es langsam.
  8. Um die Möglichkeit eines Brandes zu vermeiden, darf das Klimagerät nicht abgedeckt werden.
  9. Alle Steckdosen des Klimageräts müssen den örtlichen elektrischen Sicherheitsanforderungen entsprechen. Bitte überprüfen Sie sie gegebenenfalls auf die Anforderungen.
  10. Kinder sollten beaufsichtigt werden, um sicherzustellen, dass sie nicht mit dem Gerät spielen.
  11. Ein beschädigtes Netzkabel muss vom Hersteller, dessen Kundendienst oder einer ähnlich qualifizierten Fachkraft ersetzt werden, um Gefahrensituationen zu vermeiden.



## 1 Sicherheitshinweise

12. Dieses Gerät ist geeignet für den Gebrauch durch Kinder ab 8 Jahren und Personen mit eingeschränkten körperlichen, sensorischen oder geistigen Fähigkeiten, oder ohne Erfahrung und Wissen, sofern sie beaufsichtigt und über den sicheren Gebrauch des Geräts angeleitet werden und die damit einhergehenden Gefahren verstehen. Kinder dürfen nicht mit dem Gerät spielen. Reinigungsarbeiten und Benutzerwartungen dürfen von Kindern nur unter Aufsicht durchgeführt werden.
13. Das Gerät muss gemäß den nationalen Verdrahtungsvorschriften installiert werden.
14. Einzelheiten zu Typ und Leistung von Sicherungen:  
T, 250 V AC, 2 A oder höher.
15. Wenden Sie sich zur Reparatur oder Wartung dieses Geräts an einen autorisierten Servicetechniker.
16. Ziehen Sie nicht am Netzkabel, verformen Sie es nicht, verändern Sie es nicht und tauchen Sie es nicht ins Wasser. Ziehen oder Missbrauch des Netzkabels kann zu Schäden am Gerät führen und einen Stromschlag verursachen.
17. Die Einhaltung der nationalen Gasvorschriften ist zu beachten.
18. Halten Sie die Lüftungsöffnungen frei von Hindernissen.
19. Jede Person, die an der Arbeit an einem Kältemittelkreislauf oder dem Öffnen eines solchen beteiligt ist, sollte über ein aktuell gültiges Zertifikat einer von der Branche anerkannten Bewertungsbehörde verfügen, das ihre Kompetenz zum sicheren Umgang mit Kältemitteln gemäß einer von der Branche anerkannten Bewertungsspezifikation ausweist.

## 1 Sicherheitshinweise

20. Wartungsarbeiten dürfen nur wie vom Gerätehersteller empfohlen durchgeführt werden. Wartungs- und Reparaturarbeiten, die die Unterstützung durch anderes Fachpersonal erfordern, sind unter Aufsicht einer für die Verwendung brennbarer Kältemittel geschulten Person durchzuführen.
21. Betreiben oder stoppen Sie das Gerät nicht durch Einstecken oder Herausziehen des Netzsteckers; es besteht die Gefahr eines Stromschlags oder Brandes aufgrund von Hitzeentwicklung.
22. Ziehen Sie den Netzstecker aus der Steckdose, wenn seltsame Geräusche, Gerüche oder Rauch aus dem Gerät kommen.
23. Dieses Gerät ist nicht für die Verwendung durch Personen (einschließlich Kinder) mit eingeschränkten körperlichen, sensorischen oder psychischen Fähigkeiten und ohne Erfahrung oder Vorwissen geeignet, außer wenn eine angemessene Aufsicht oder ausführliche Anleitung zur Benutzung des Gerätes durch eine verantwortliche Person sichergestellt ist.
24. Wenn das Netzkabel beschädigt ist, muss es durch den Hersteller, einen seiner Kundendienstmitarbeiter oder ähnlich qualifizierte Personen ersetzt werden, um Gefahren zu vermeiden.
25. Das Gerät muss die Isolierung eines Fehlerstromschutzschalters (FI-Schutzschalter) aufweisen, der einen Bemessungsfehlerstrom von 30 mA nicht übersteigt.

## 1 Sicherheitshinweise

26. Dieses Gerät ist für den Gebrauch in Haushaltsanwendungen und ähnlichen Anwendungen wie z. B.

- Mitarbeiterküchen in Geschäften, Büros und anderen Arbeitsumgebungen;
- Bauernhäusern;
- von Gästen in Hotels, Motels und anderen Wohnumgebungen;
- Bed & Breakfast-Gästehäusern vorgesehen.

Das Gerät muss die Isolierung eines Fehlerstromschutzschalters (FI-Schutzschalter) aufweisen, der einen Bemessungsfehlerstrom von 30 mA nicht übersteigt.

27. Erklärung zur Impedanz

Diese Geräte dürfen nur an eine Versorgung mit einer Systemimpedanz von höchstens  $0,367\Omega$  angeschlossen werden. Falls erforderlich, wenden Sie sich bitte an Ihre Versorgungsbehörde, um Informationen zur Systemimpedanz zu erhalten.

## 1 Sicherheitshinweise



### Hinweis:

- Sollten Teile beschädigt sein, wenden Sie sich bitte an den Händler oder eine ausgewiesene Reparaturwerkstatt;
- Im Falle einer Beschädigung schalten Sie bitte den Luftscharter aus, trennen Sie die Stromzufuhr ab und wenden Sie sich an den Händler oder eine benannte Reparaturwerkstatt;
- Das Netzkabel muss in jedem Fall fest geerdet sein.
- Um die Möglichkeit einer Gefahr zu vermeiden, schalten Sie bei Beschädigung des Netzkabels bitte den Luftscharter aus und trennen Sie die Stromversorgung. Es muss vom Händler oder einer benannten Reparaturwerkstatt ersetzt werden.



## Warnungen (nur für Kältemittel R290)

### 1. Allgemeine Anweisungen

#### 1.1 Überprüfung der Umgebung

Vor Beginn der Arbeiten an Systemen, die brennbare Kältemittel enthalten, sind Sicherheitsüberprüfungen erforderlich, um sicherzustellen, dass die Zündgefahr minimiert wird. Für Reparaturen am Kühlsystem sind vor Durchführung von Arbeiten am System die folgenden Vorsichtsmaßnahmen zu beachten.

#### 1.2 Arbeitsverfahren

Die Arbeiten sind nach einem überwachten Verfahren durchzuführen, um das Risiko des Vorhandenseins eines entflammbaren Gases oder Dampfes während der Durchführung der Arbeiten zu minimieren.

#### 1.3 Allgemeiner Arbeitsbereich

Alle Wartungskräfte und andere in der Umgebung tätige Personen müssen über die Art der durchgeführten Arbeiten unterrichtet werden. Arbeiten in beengten Räumen sind zu vermeiden. Die Umgebung um den Arbeitsbereich herum muss abgetrennt werden. Stellen Sie sicher, dass die Umgebungsbedingungen sicher sind. Es darf sich kein brennbares Material in der Nähe befinden.

#### 1.4 Prüfen, ob Kältemittel vorhanden ist

Der Bereich muss vor und während der Arbeit mit einem geeigneten Kältemitteldetektor überprüft werden, um sicherzustellen, dass sich der Techniker möglicherweise brennbarer Atmosphären bewusst ist. Stellen Sie sicher, dass das verwendete Leckerkennungsgerät für brennbare Kältemittel geeignet ist, d. h., dass es funkenfrei, ausreichend dicht oder eigensicher ist.

# 1 Sicherheitshinweise

## 1.5 Vorhandensein eines Feuerlöschers

Wenn Heiarbeit an der Khlanlage oder zugehrigen Teilen durchgefhrt werden sollen, mssen geeignete Feuerlschgerte zur Verfgung stehen. Halten Sie einen Trockenpulver- oder CO<sub>2</sub>-Lscher in der Nhe des Ladebereichs bereit.

## 1.6 Keine Zndquellen

Personen, die Arbeiten in Bezug auf ein Khlsystem durchfhren, bei denen Rohrleitungen mit brennbarem Kltemittel freigelegt werden oder brennbares Kltemittel darin enthalten ist, drfen Zndquellen nicht so einsetzen, dass eine Brand- oder Explosionsgefahr besteht. Alle mglichen Zndquellen, einschlielich des Rauchens von Zigaretten, sollten ausreichend weit vom Installations-, Reparatur-, Demontage- und Entsorgungsort entfernt gehalten werden, wobei mglicherweise entzndbares Kltemittel in die unmittelbare Umgebung abgegeben werden kann. Vor Beginn der Arbeiten ist der Bereich um das Gert herum zu untersuchen, um sicherzustellen, dass keine entflammbaren Gefahren oder Zndgefahren bestehen. Schilder mit der Aufschrift „Rauchen verboten“ mssen angebracht werden.

## 1.7 Belfteter Bereich

Stellen Sie sicher, dass sich der Bereich im Freien befindet oder ausreichend belftet ist, bevor Sie in das System eingreifen oder Heiarbeit ausfhren. Whrend des Zeitraums, in dem die Arbeiten ausgefhrt werden, muss ein gewisser Belftungsgrad gewhrleistet werden. Die Belftung sollte das freigesetzte Kltemittel sicher verteilen und vorzugsweise nach auen in die Atmosphre ausstoen.

### 1.8 Überprüfung der Klimaanlage

Wenn elektrische Komponenten ausgetauscht werden, müssen sie für den Zweck geeignet sein und die korrekte Spezifikation aufweisen. Die Wartungs- und Servicerichtlinien des Herstellers sind immer zu befolgen. Wenden Sie sich im Zweifelsfall für Unterstützung an die technische Abteilung des Herstellers. Bei Anlagen, die mit brennbaren Kältemitteln arbeiten, sind folgende Überprüfungen durchzuführen: Die Größe der Füllung entspricht der Raumgröße, in der die kältemittelhaltigen Teile installiert sind; die Lüftungsmaschinen und Auslässe arbeiten angemessen und werden nicht verstopft; wenn ein indirekter Kältekreislauf verwendet wird, ist der Sekundärkreislauf auf das Vorhandensein von Kältemittel zu überprüfen; die Kennzeichnung der Geräte ist weiterhin sichtbar und lesbar. Unleserliche Markierungen und Schilder sind zu korrigieren; Kühlrohre oder -komponenten sind an einer Stelle installiert, an denen es unwahrscheinlich ist, dass sie irgendwelchen Stoffen ausgesetzt sind, die kältemittelhaltige Komponenten korrodieren könnten. Ausgenommen sind Komponenten, die aus Materialien bestehen, die von Natur aus korrosionsbeständig sind oder die gegen eine solche Korrosion angemessen geschützt sind.

### 1.9 Überprüfung elektrischer Geräte

Reparaturen und Wartungsarbeiten an elektrischen Komponenten müssen erste Sicherheitsüberprüfungen und Bauteilprüfverfahren umfassen. Wenn ein Fehler vorliegt, der die Sicherheit

# 1 Sicherheitshinweise

beeinträchtigen könnte, darf an den Stromkreis keine elektrische Versorgung angeschlossen werden, bis der Fehler zufriedenstellend behoben ist. Wenn der Fehler nicht sofort behoben werden kann, der Betrieb jedoch fortgesetzt werden muss, ist eine angemessene vorübergehende Lösung zu verwenden. Dies ist dem Besitzer der Anlage mitzuteilen, damit alle Parteien davon unterrichtet werden.

Zu den ersten Sicherheitsprüfungen gehören: dass die Kondensatoren entladen werden: dies muss auf sichere Art und Weise geschehen, um die Möglichkeit einer Funkenbildung zu vermeiden; dass keine stromführenden elektrischen Komponenten und Leitungen während des Ladens, Wiederherstellens oder Spülens des Systems freigelegt werden; dass eine kontinuierliche Erdung vorhanden ist.

## 2. Reparaturen an versiegelten Komponenten

2.1 Bei Reparaturen an versiegelten Komponenten müssen alle elektrischen Versorgungen von dem zu bearbeitenden Gerät getrennt werden, bevor Sie versiegelte Abdeckungen usw. entfernen. Wenn während des Wartungsvorgangs unbedingt eine Stromversorgung für das Gerät erforderlich ist, muss sich eine dauerhaft funktionierende Form der Leckerkennung an der kritischsten Stelle befinden, um vor einer möglicherweise gefährlichen Situation zu warnen.



# 1 Sicherheitshinweise

2.2 Folgendes ist besonders zu beachten, um sicherzustellen, dass bei Arbeiten an elektrischen Komponenten das Gehäuse nicht so verändert wird, dass das Schutzniveau beeinträchtigt wird. Dazu gehören Kabelschäden, zu viele Anschlüsse, nicht gemäß den Originalspezifikationen angefertigte Klemmen, Dichtungen, falsche Verschraubungen usw. Stellen Sie sicher, dass das Gerät sicher befestigt ist. Stellen Sie sicher, dass die Dichtungen oder Dichtungsmaterialien nicht so gealtert oder beschädigt sind, dass sie nicht mehr dafür sorgen, das Eindringen von brennbaren Atmosphären zu verhindern. Ersatzteile müssen den Spezifikationen des Herstellers entsprechen.



**Hinweis:** Die Verwendung von Silikondichtungsmittel kann die Wirksamkeit einiger Arten von Leckerkennungsgeräten beeinträchtigen. Eigensichere Komponenten müssen vor der Bearbeitung nicht isoliert werden.

## 3. Reparatur an eigensicheren Komponenten

Legen Sie keine dauerhaften induktiven oder kapazitiven Lasten an die Schaltung an, ohne sicherzustellen, dass diese die zulässige Spannung und den zulässigen Strom für das verwendete Gerät nicht überschreiten.

Eigensichere Komponenten sind die einzigen, an denen gearbeitet werden kann, während sie sich in einer entflammaren Atmosphäre befinden. Das Testgerät muss über die richtige Leistung verfügen. Ersetzen Sie Komponenten nur durch vom Hersteller angegebene Teile. Andere Teile können dazu führen, dass Kältemittel in der Atmosphäre durch ein Leck entzündet wird.

### 4. Verkabelung

Stellen Sie sicher, dass die Verkabelung keinem Verschleiß, Korrosion, übermäßigem Druck, Vibrationen, scharfen Kanten oder anderen schädlichen Umwelteinflüssen ausgesetzt ist. Bei der Überprüfung sind auch die Auswirkungen von Alterung oder ständigen Vibrationen von Quellen wie Kompressoren oder Ventilatoren zu berücksichtigen.

### 5. Erkennung von brennbaren Kältemitteln

Unter keinen Umständen dürfen potentielle Zündquellen bei der Suche oder Erkennung von Kältemittellecks verwendet werden. Eine Halogenlampe (oder ein anderer Detektor mit offener Flamme) darf nicht verwendet werden.

### 6. Leckerkennungsmethoden

Die folgenden Leckerkennungsmethoden gelten für Systeme, die brennbare Kältemittel enthalten, als akzeptabel. Elektronische Leckerkennungsgeräte müssen zum Erkennen brennbarer Kältemittel verwendet werden. Die Empfindlichkeit ist jedoch möglicherweise nicht ausreichend oder muss neu kalibriert werden. (Das Erkennungsgerät muss in einem kältemittelfreien Bereich kalibriert werden.) Stellen Sie sicher, dass das Leckerkennungsgerät keine potenzielle Zündquelle ist und für das verwendete Kältemittel geeignet ist. Das Leckerkennungsgerät muss auf einen Prozentsatz der LFL des Kältemittels eingestellt und auf das eingesetzte Kältemittel kalibriert werden und der entsprechende Gasanteil (maximal 25 %) wird bestätigt. Leckerkennungsflüssigkeiten sind für die meisten Kältemittel geeignet. Die Verwendung von chlorhaltigen Reinigungsmitteln ist jedoch zu vermeiden, da das

## 1 Sicherheitshinweise

Chlor mit dem Kältemittel reagieren und die Kupferrohrleitungen korrodieren kann. Wenn ein Leck vermutet wird, müssen alle offenen Flammen entfernt/gelöscht werden. Wenn ein Leck des Kältemittels festgestellt wird, das gelötet werden muss, muss das gesamte Kältemittel aus dem System entfernt oder (durch Absperrventile) in einem vom Leck entfernten Teil des Systems isoliert werden. Sauerstofffreier Stickstoff muss dann sowohl vor als auch während des Lötvorgangs durch das System gespült werden.

### 7. Entfernung und Entleerung

Beim Eingreifen in den Kältemittelkreislauf zur Durchführung von Reparaturen - oder für jeden anderen Zweck - sind konventionelle Verfahren zu verwenden. Es ist jedoch wichtig, dass die beste Praxis befolgt wird, da die Entflammbarkeit ein wichtiger Aspekt ist. Das folgende Verfahren muss eingehalten werden: Kältemittel entfernen; den Kreislauf mit Inertgas spülen; evakuieren; erneut mit Inertgas spülen; den Kreislauf durch Schneiden oder Hartlöten öffnen. Die Kältemittelfüllung muss in die richtigen Rückgewinnungszylinder zurückgewonnen werden. Das System muss mit OFN gespült werden, um das Gerät sicher zu machen. Dieser Vorgang muss möglicherweise mehrmals wiederholt werden. Druckluft oder Sauerstoff dürfen für diese Aufgabe nicht verwendet werden. Die Spülung muss erreicht werden, indem das Vakuum im System mit OFN unterbrochen und bis zum Erreichen des Arbeitsdrucks weiter gefüllt wird. Anschließend wird die Atmosphäre entlüftet und anschließend auf ein Vakuum abgesenkt. Dieser Vorgang muss wiederholt werden, bis sich kein Kältemittel mehr im System befindet. Wenn die endgültige OFN-Befüllung verwendet wird,

## 1 Sicherheitshinweise

muss das System auf Atmosphärendruck entlüftet werden, damit Arbeiten durchgeführt werden können. Dieser Vorgang ist absolut unerlässlich, wenn Lötarbeiten an den Rohrleitungen durchgeführt werden sollen.

Stellen Sie sicher, dass sich der Auslass der Vakuumpumpe nicht in der Nähe von Zündquellen befindet und entsprechende Belüftung vorhanden ist.

### 8. Ladeverfahren

Zusätzlich zu herkömmlichen Ladeverfahren sind die folgenden Anforderungen zu beachten.

- Stellen Sie sicher, dass bei der Verwendung von Ladegeräten keine Kontamination verschiedener Kältemittel auftritt. Schläuche oder Leitungen müssen so kurz wie möglich sein, um die Menge an Kältemittel zu minimieren.
- Flaschen sind aufrecht zu halten.
- Stellen Sie sicher, dass das Kühlsystem geerdet ist, bevor Sie das System mit Kältemittel befüllen.
- Kennzeichnen Sie das System, wenn der Ladevorgang abgeschlossen ist (falls noch nicht geschehen).
- Es ist äußerst sorgfältig darauf zu achten, dass das Kühlsystem nicht überfüllt wird.

Vor dem Aufladen des Systems muss es mit OFN einem Drucktest unterzogen werden. Das System muss nach Abschluss des Ladevorgangs, aber vor der Inbetriebnahme, auf Dichtheit geprüft werden. Vor dem Verlassen des Standortes muss eine Leckprüfung durchgeführt werden.

### 9. Außerbetriebnahme

Bevor Sie dieses Verfahren durchführen, ist es wichtig, dass der Techniker mit dem Gerät und allen Details genau vertraut ist. Es wird empfohlen, alle Kältemittel sicher zurückzugewinnen. Bevor die Aufgabe ausgeführt wird, muss eine Öl- und Kältemittelprobe genommen werden, falls vor der Wiederverwendung von aufgearbeitetem Kältemittel eine Analyse erforderlich ist. Es ist wichtig, dass vor Beginn der Arbeiten ein Stromanschluss zur Verfügung steht.

- a) Machen Sie sich mit dem Gerät und seiner Bedienung vertraut.
- b) Isolieren Sie das System elektrisch.
- c) Vor Beginn des Verfahrens ist sicherzustellen, dass:
  - mechanische Handhabungsausrüstung für die Handhabung von Kältemittelzylindern vorhanden ist, falls erforderlich;
  - die gesamte persönliche Schutzausrüstung vorhanden ist und korrekt verwendet wird;
  - der Rückgewinnungsprozess jederzeit von einer sachkundigen Person überwacht wird;
  - die Rückgewinnungsausrüstung und der Zylinder den entsprechenden Normen entsprechen.
- d) Wenn möglich, sollten Sie das Kältemittelsystem abpumpen.
- e) Wenn kein Vakuum möglich ist, erstellen Sie einen Verteiler, damit das Kältemittel aus verschiedenen Teilen des Systems entfernt werden kann.
- f) Stellen Sie sicher, dass sich die Flasche auf der Waage befindet, bevor die Rückgewinnung durchgeführt wird.

## 1 Sicherheitshinweise

- g) Schalten Sie das Rückgewinnungsgerät ein und arbeiten Sie gemäß den Anweisungen des Herstellers.
- h) Überfüllen Sie die Flaschen nicht. (Nicht mehr als 80 % des Volumens bei Flüssigkeitsladung).
- i) Überschreiten Sie nicht den maximalen Arbeitsdruck der Flasche, auch nicht vorübergehend.
- j) Wenn die Flaschen korrekt gefüllt und der Prozess abgeschlossen ist, stellen Sie sicher, dass die Flaschen und die Ausrüstung unverzüglich vom Standort entfernt werden und alle Absperrventile der Ausrüstung geschlossen sind.
- k) Wiedergewonnenes Kältemittel darf nicht in ein anderes Kühlsystem eingefüllt werden, es sei denn, es wurde gereinigt und geprüft.

### 10. Beschriftung

Das Gerät muss mit einem Etikett versehen sein, aus dem hervorgeht, dass es außer Betrieb genommen und das Kältemittel entfernt wurde. Das Etikett muss datiert und unterschrieben sein. Stellen Sie sicher, dass sich auf dem Gerät Etiketten befinden, die darauf hinweisen, dass das Gerät brennbares Kältemittel enthält.

### 11. Rückgewinnung

Beim Entfernen von Kältemittel aus einem System – entweder zur Wartung oder Außerbetriebnahme – wird empfohlen, das gesamte Kältemittel sicher zu entfernen. Stellen Sie beim Umfüllen von Kältemittel in Flaschen sicher, dass nur geeignete Kältemittelrückgewinnungsflaschen verwendet werden. Stellen Sie sicher, dass die richtige Anzahl von Flaschen zur Aufnahme des gesamten Systeminhalts zur Verfügung steht. Alle zu verwendenden Flaschen müssen für das rückgewonnene Kältemittel bestimmt und für dieses Kältemittel gekennzeichnet sein (d. h. spezielle Flaschen für die Rückgewinnung von Kältemittel). Die Flaschen müssen mit einem Überdruckventil und zugehörigen Absperrventilen in einwandfreiem Zustand ausgestattet sein. Leere Rückgewinnungsflaschen werden evakuiert und wenn möglich gekühlt, bevor die Rückgewinnung erfolgt.

Die Rückgewinnungsausrüstung muss in einem einwandfreien Zustand sein und Anweisungen für das vorhandene Gerät enthalten. Sie muss für die Rückgewinnung brennbarer Kältemittel geeignet sein. Darüber hinaus müssen kalibrierte Waagen verfügbar und in einwandfreiem Zustand sein. Die Schläuche müssen mit leckfreien Trennkupplungen versehen sein und sich in gutem Zustand befinden. Vergewissern Sie sich vor dem Einsatz des Rückgewinnungsgeräts, dass es in einwandfreiem Zustand ist, ordnungsgemäß gewartet wurde und dass alle zugehörigen elektrischen Komponenten versiegelt sind, um im Falle einer Kältemittelfreisetzung eine Entzündung zu verhindern. Wenden Sie sich im Zweifelsfall an den Hersteller.

## 1 Sicherheitshinweise

Das rückgewonnene Kältemittel muss in der richtigen Rückgewinnungsflasche an den Kältemittellieferanten zurückgegeben und es muss ein entsprechender Entsorgungsnachweis ausgestellt werden. Mischen Sie kein Kältemittel in Rückgewinnungsgeräten und insbesondere nicht in Flaschen.

Wenn Kompressoren oder Kompressoröle entfernt werden sollen, stellen Sie sicher, dass sie auf ein akzeptables Niveau evakuiert wurden, um sicherzustellen, dass kein brennbares Kältemittel im Schmiermittel verbleibt. Der Evakuierungsprozess muss vor der Rückgabe des Kompressors an den Lieferanten durchgeführt werden. Zur Beschleunigung dieses Vorgangs darf nur eine elektrische Beheizung des Kompressorgehäuses eingesetzt werden. Wenn Öl aus einem System abgelassen wird, muss dieser Vorgang sicher durchgeführt werden.





### Hinweis zu fluorierten Gasen:

- Fluorierte Treibhausgase sind in hermetisch verschlossenen Geräten enthalten. Spezifische Informationen zu Typ, Menge und CO<sub>2</sub>-Äquivalent des fluorierten Treibhausgases in Tonnen (bei einigen Modellen) finden Sie auf dem entsprechenden Etikett auf dem Gerät.
- Installation, Service, Wartung und Reparatur dieses Geräts müssen von einem zertifizierten Techniker durchgeführt werden.
- Abbau und Recycling des Produkts müssen von einem zertifizierten Techniker durchgeführt werden.

## Kompetenz des Wartungspersonals

### Allgemeines

Wenn Geräte mit brennbaren Kältemitteln betroffen sind, ist zusätzlich zu den üblichen Reparaturverfahren für Kühlgeräte eine spezielle Schulung erforderlich.

In vielen Ländern wird diese Ausbildung von nationalen Ausbildungsorganisationen durchgeführt, die für die Vermittlung der entsprechenden nationalen Kompetenzstandards, die in der Gesetzgebung festgelegt sein können, akkreditiert sind.

Die erreichte Kompetenz sollte durch ein Zertifikat dokumentiert werden.

## Schulung

Die Schulung sollte den Inhalt der folgenden Punkte umfassen:  
Informationen über das Explosionspotenzial entflammbarer Kältemittel, um zu zeigen, dass entflammbare Stoffe bei unvorsichtigem Umgang gefährlich sein können.

Informationen über potenzielle Zündquellen, insbesondere solche, die nicht offensichtlich sind, wie z. B. Feuerzeuge, Lichtschalter, Staubsauger, elektrische Heizgeräte.

Informationen über die verschiedenen Sicherheitskonzepte:

Unbelüftet - (siehe Abschnitt GG.2) Die Sicherheit des Gerätes hängt nicht von der Belüftung des Gehäuses ab. Das Ausschalten des Gerätes oder das Öffnen des Gehäuses hat keinen wesentlichen Einfluss auf die Sicherheit. Dennoch ist es möglich, dass sich austretendes Kältemittel im Inneren des Gehäuses ansammelt und beim Öffnen des Gehäuses eine entzündliche Atmosphäre freigesetzt wird.

Belüftetes Gehäuse - (siehe Abschnitt GG.4) Die Sicherheit des Gerätes hängt von der Belüftung des Gehäuses ab. Das Ausschalten des Gerätes oder das Öffnen des Gehäuses hat einen wesentlichen Einfluss auf die Sicherheit. Zuvor sollte für eine ausreichende Belüftung gesorgt werden.

Belüfteter Raum - (siehe Abschnitt GG.5) Die Sicherheit des Gerätes hängt von der Belüftung des Raumes ab. Das Ausschalten des Gerätes oder das Öffnen des Gehäuses hat keinen wesentlichen Einfluss auf die Sicherheit. Die Belüftung des Raumes darf während der Reparaturarbeiten nicht abgeschaltet werden.

## 1 Sicherheitshinweise

Informationen über das Konzept der dichten Bauteile und dichten Gehäuse nach IEC 60079-15:2010.

Informationen über die richtigen Arbeitsverfahren:

### a) Inbetriebnahme

- Stellen Sie sicher, dass die Bodenfläche für die Kältemittelfüllung ausreicht oder dass der Lüftungskanal korrekt montiert ist.
- Schließen Sie die Rohre an und führen Sie vor dem Befüllen mit Kältemittel eine Leckprüfung durch.
- Sicherheitseinrichtungen vor der Inbetriebnahme prüfen.

### b) Wartung und Instandhaltung

- Mobile Geräte müssen außerhalb oder in einer Werkstatt repariert werden, die speziell für die Wartung von Einheiten mit brennbaren Kältemitteln ausgerüstet ist.
- Sorgen Sie für ausreichende Belüftung am Reparaturort.
- Seien Sie sich bewusst, dass eine Fehlfunktion der Ausrüstung durch Kältemittelverlust verursacht werden kann und ein Kältemittelleck möglich ist.
- Entladen Sie Kondensatoren auf eine Weise, die keinen Funken verursacht. Das Standardverfahren zum Kurzschließen der Kondensatorklemmen erzeugt normalerweise Funken.
- Setzen Sie abgedichtete Gehäuse wieder genau zusammen. Wenn die Dichtungen verschlissen sind, ersetzen Sie sie.
- Sicherheitseinrichtungen vor der Inbetriebnahme prüfen.

## 1 Sicherheitshinweise

### c) Reparatur

- Mobile Geräte müssen außerhalb oder in einer Werkstatt repariert werden, die speziell für die Wartung von Einheiten mit brennbaren Kältemitteln ausgerüstet ist.
- Sorgen Sie für ausreichende Belüftung am Reparaturort.
- Seien Sie sich bewusst, dass eine Fehlfunktion der Ausrüstung durch Kältemittelverlust verursacht werden kann und ein Kältemittelleck möglich ist.
- Entladen Sie Kondensatoren auf eine Weise, die keinen Funken verursacht.
- Wenn Hartlöten erforderlich ist, sind die folgenden Arbeiten in der richtigen Reihenfolge durchzuführen:
  - Kältemittel entfernen. Wenn die Rückgewinnung nach nationalen Vorschriften nicht erforderlich ist, das Kältemittel nach außen ablassen. Achten Sie darauf, dass das abgelassene Kältemittel keine Gefahr darstellt. Im Zweifelsfall sollte eine Person den Auslass überwachen. Achten Sie besonders darauf, dass das abgelassene Kältemittel nicht zurück in das Gehäuse gelangt.
  - Evakuieren Sie den Kältemittelkreislauf.
  - Spülen Sie den Kältemittelkreislauf 5 Minuten lang mit Stickstoff.
  - Erneut evakuieren.
  - Zu ersetzende Teile durch Schneiden, nicht durch Flammen entfernen.
  - Spülen Sie die Lötstelle während des Lötvorgangs mit Stickstoff.
  - Führen Sie vor dem Befüllen mit Kältemittel eine Leckprüfung durch.

## 1 Sicherheitshinweise

- Setzen Sie abgedichtete Gehäuse wieder genau zusammen. Wenn die Dichtungen verschlissen sind, ersetzen Sie sie.
- Sicherheitseinrichtungen vor der Inbetriebnahme prüfen.

### d) Außerbetriebnahme

- Falls die Sicherheit beeinträchtigt wird, wenn das Gerät außer Betrieb genommen wird, muss die Kältemittelfüllung vor der Außerbetriebnahme entfernt werden.
- Sorgen Sie für ausreichende Belüftung am Standort des Geräts.
- Seien Sie sich bewusst, dass eine Fehlfunktion der Ausrüstung durch Kältemittelverlust verursacht werden kann und ein Kältemittelleck möglich ist.
- Entladen Sie Kondensatoren auf eine Weise, die keinen Funken verursacht.
- Kältemittel entfernen. Wenn die Rückgewinnung nach nationalen Vorschriften nicht erforderlich ist, das Kältemittel nach außen ablassen. Achten Sie darauf, dass das abgelassene Kältemittel keine Gefahr darstellt. Im Zweifelsfall sollte eine Person den Auslass überwachen. Achten Sie besonders darauf, dass das abgelassene Kältemittel nicht zurück in das Gehäuse gelangt.
- Evakuieren Sie den Kältemittelkreislauf.
- Spülen Sie den Kältemittelkreislauf 5 Minuten lang mit Stickstoff.
- Erneut evakuieren.
- Füllen Sie es bis zum atmosphärischen Druck mit Stickstoff.
- Bringen Sie ein Etikett am Gerät an, dass das Kältemittel entfernt ist.

## 1 Sicherheitshinweise

### e) Entsorgung

- Sorgen Sie für ausreichende Belüftung am Einsatzort des Geräts.
- Kältemittel entfernen. Wenn die Rückgewinnung nach nationalen Vorschriften nicht erforderlich ist, das Kältemittel nach außen ablassen. Achten Sie darauf, dass das abgelassene Kältemittel keine Gefahr darstellt. Im Zweifelsfall sollte eine Person den Auslass überwachen. Achten Sie besonders darauf, dass das abgelassene Kältemittel nicht zurück in das Gehäuse gelangt.
- Evakuieren Sie den Kältemittelkreislauf.
- Spülen Sie den Kältemittelkreislauf 5 Minuten lang mit Stickstoff.
- Erneut evakuieren.
- Schalten Sie den Kompressor aus und lassen Sie das Öl ab.

### **Transport, Kennzeichnung und Lagerung für Einheiten, die mit brennbaren Kältemitteln arbeiten**

#### **Transport von Geräten, die brennbare Kältemittel enthalten.**

Es wird darauf hingewiesen, dass zusätzliche Transportvorschriften in Bezug auf Geräte, die entflammbares Gas enthalten, bestehen können. Die maximale Anzahl von Geräten oder deren Konfiguration, die zusammen transportiert werden dürfen, wird durch die geltenden Transportvorschriften bestimmt.

### **Kennzeichnung des Geräts mit Schildern.**

Schilder für ähnliche Geräte, die in einem Arbeitsbereich verwendet werden, werden im Allgemeinen durch örtliche Vorschriften geregelt und geben die Mindestanforderungen für die Bereitstellung von Sicherheits- und/oder Gesundheitsschildern für einen Arbeitsort an.

Alle erforderlichen Schilder sind aufrechtzuerhalten. Die Arbeitgeber sollten sicherstellen, dass die Beschäftigten eine geeignete und ausreichende Unterweisung und Schulung über die Bedeutung der entsprechenden Sicherheitsschilder und die im Zusammenhang mit diesen Schildern zu ergreifenden Maßnahmen erhalten.

Die Wirksamkeit von Schildern sollte nicht dadurch beeinträchtigt werden, dass zu viele Schilder zusammen aufgestellt werden.

Alle verwendeten Piktogramme sollten so einfach wie möglich sein und nur wesentliche Details enthalten.

### **Entsorgung von Geräten, die brennbare Kältemittel verwenden.**

Siehe nationale Vorschriften.

### **Lagerung von Anlagen/Geräten**

Die Lagerung von Geräten sollte gemäß den Anweisungen des Herstellers erfolgen.

Lagerung von verpackten (nicht verkauften) Geräten

Der Schutz der Verpackung zur Aufbewahrung sollte so gestaltet sein, dass ein mechanischer Schaden an den Geräten in der Verpackung nicht zu einem Leck der Kältemittelfüllung führt.

Die maximale Anzahl von Geräten, die zusammen gelagert werden dürfen, wird durch örtliche Vorschriften festgelegt.

## 2 Teileübersicht

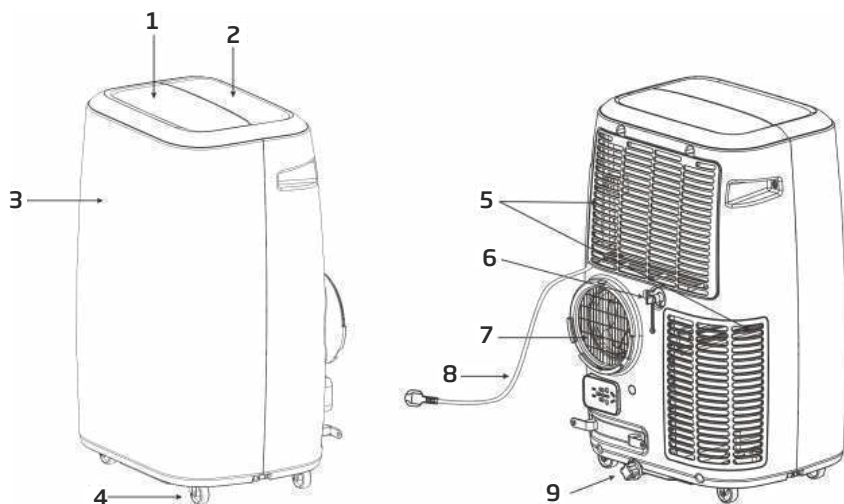


Abb.1

1	Lüftungsschlitze	5	Lufteinlass
2	Bedienfeld	6	Auslass des Ablasses
3	Vordere Abdeckung	7	Luftauslass
4	Lenkrollen	8	Netzkabel
		9	Auslass des Ablasses



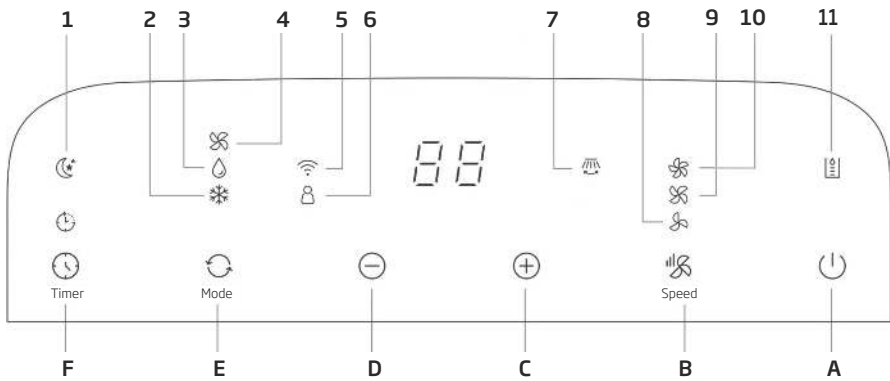
### 3 Zubehör

Teile	Bezeichnung	Menge
	Abluftschlauch	1
	Fensteranschluss	1
	Gehäuseadapter	1
	Fernbedienung	1
	Fenstersatz	1
	Dübel	1
	Fenstersatz aus Stoff	1 (optional)
	Rolle Band	1 (optional)
	Luftauslass	1
	Wasserschlauch	1
	Batterien	2

Bitte überprüfen Sie nach dem Auspacken, ob das oben erwähnte Zubehör enthalten ist. Überprüfen Sie außerdem dessen Zweck in der Montageanleitung dieser Bedienungsanleitung.

## 4 Aussehen und Funktion des Bedienfeldes

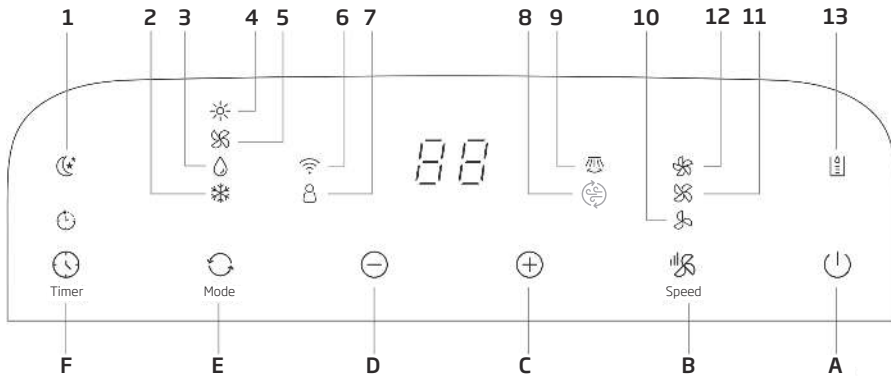
### 4.1 Nur-Kühlungs-Modell (nicht reversibel)



A	Ein-/Ausschalten	4	Lüfter
B	Lüftergeschwindigkeit	5	Drahtlos-Funktion 
C	Temperatur erhöhen	6	Verwendung des Thermostats in der Fernbedienung
D	Temperatur absenken	7	Automatisches Schwenken
E	Bedienungsmodus	8	niedrige Lüftergeschwindigkeit
F	Timer ein/aus	9	Mittlere Lüftergeschwindigkeit
1	Schlafmodus	10	hohe Lüftergeschwindigkeit
2	Kühlen	11	hoher Wasserstand erreicht
3	Entfeuchten		

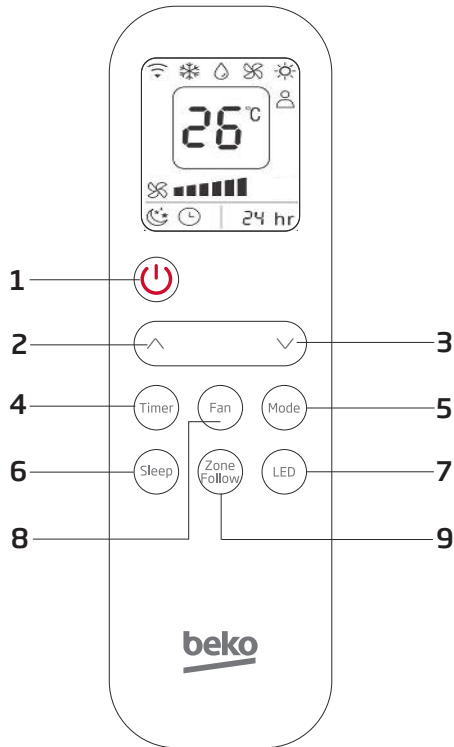
## 4 Aussehen und Funktion des Bedienfeldes

### 4.2 Kühl- und Wärmepumpenmodell (reversibel)



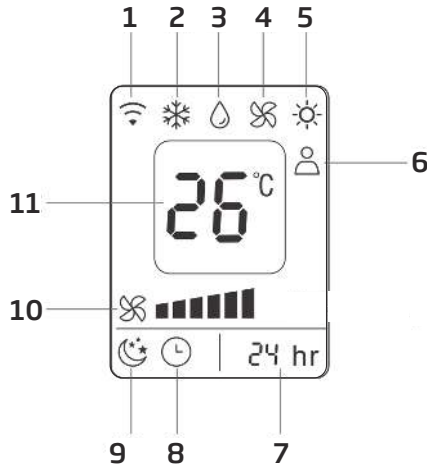
A	Ein-/Ausschalten	4	Heizen
B	Lüftergeschwindigkeit	5	Lüfter
C	Temperatur erhöhen	6	Drahtlos-Funktion 
D	Temperatur absenken	7	Verwendung des Thermostats in der Fernbedienung
E	Bedienungsmodus	8	Hepa 13 Filteranzeige (nur auf BP113H vorhanden)
F	Timer ein/aus	9	Automatisches Schwenken
		10	niedrige Lüftergeschwindigkeit
1	Schlafmodus	11	Mittlere Lüftergeschwindigkeit
2	Kühlen	12	hohe Lüftergeschwindigkeit
3	Entfeuchten	13	hoher Wasserstand erreicht


## 5 Aussehen und Funktion der Fernbedienung



1. Ein-/Ausschalten
2. Temperatur erhöhen
3. Temperatur absenken
4. Timer ein/aus
5. Bedienungsmodus
6. Schlafmodus
7. LED-Anzeige
8. Lüftergeschwindigkeit
9. Verwendung des Thermostats in der Fernbedienung

## 5 Aussehen und Funktion der Fernbedienung



- |  |                           |
|--|---------------------------|
| 1. Empfängersignal  | 7. Zeitmessung            |
| 2. Kühlen  | 8. Timer ein/aus          |
| 3. Entfeuchten   | 9. Schlafmodus            |
| 4. Lüfter  | 10. Lüftergeschwindigkeit |
| 5. Heizen  | 11. Temperaturanzeige     |
| 6. Verwendung des Thermostats in der Fernbedienung   |                           |



### Hinweis:

- Lassen Sie die Fernbedienung nicht fallen.
- Legen Sie die Fernbedienung nicht an einen Ort mit direkter Sonneneinstrahlung.

## 6 Bedienungsanleitung

Vor Beginn der Arbeiten in diesem Abschnitt:

1. Suchen Sie einen Ort, an dem es in der Nähe eine Stromversorgung gibt.
2. Montieren Sie, wie in Abb. 5 und Abb. 5a gezeigt, den Abluftschlauch und stellen Sie die Fensterposition gut ein.

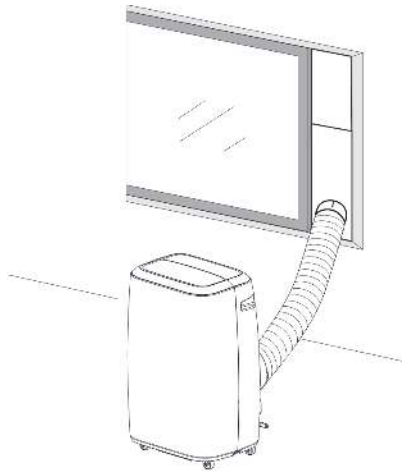


Abb. 5

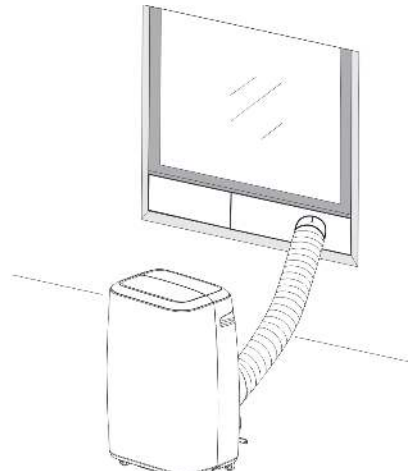


Abb. 5a

3. Schließen Sie den Ablassschlauch sicher an (nur bei Benutzung des Heizmodells);
4. Stecken Sie das Netzkabel in eine geerdete AC 220 ~ 240 V/50 Hz Steckdose;
5. Drücken Sie die Taste Power (Einschalten), um das Klimagerät einzuschalten

### 6.1 Vor der Benutzung

**Hinweis:**

- **Betriebstemperaturbereich:**

	Maximales Kühlen	Minimales Kühlen
DB/WB(°C)	35/24	18/12

	Maximales Heizen	Minimales Heizen
DB/WB(°C)	27/---	7/---

## 6 Bedienungsanleitung

Überprüfen Sie, ob der Abluftschlauch richtig montiert ist.

Vorsichtsmaßnahmen bei Kühl- und Entfeuchtungsvorgängen:

- Wenn Sie Funktionen zum Kühlen und Entfeuchten verwenden, halten Sie ein Intervall von mindestens 3 Minuten zwischen jedem Ein/Aus-Vorgang ein.
- Die Stromversorgung erfüllt die Anforderungen.
- Die Steckdose ist für den Wechselstrombetrieb vorgesehen.
- Eine Steckdose darf nicht mit anderen Geräten geteilt werden.
- Stromversorgung ist AC 220-240 V, 50 Hz

### 6.2 Kühlbetrieb

- Drücken Sie die Taste „Mode“ (Modus) bis das Symbol „Cool“ (Kühlen) erscheint.
- Drücken Sie die Taste „Down“ (Nach unten) oder „Up“ (Nach oben), um die gewünschte Raumtemperatur zu wählen. (16 °C - 31 °C)
- Drücken Sie die Taste „Wind“ (Lüfter), um die entsprechende Luftgeschwindigkeit auszuwählen.

### 6.3 Entfeuchterbetrieb

- Drücken Sie die Taste „Mode“ (Modus) bis das Symbol „Dehumidify“ (Entfeuchten) erscheint.
- Stellen Sie die gewählte Temperatur automatisch auf die aktuelle Raumtemperatur minus 2°C. (16°C - 31°C) ein.
- Stellen Sie den Lüftermotor automatisch auf Niedrige Luftgeschwindigkeit ein.

### 6.4 Lüfterbetrieb

- Drücken Sie die Taste „Mode“ (Modus) bis das Symbol „Fan“ (Lüfter) erscheint.
- Drücken Sie die Taste „Wind“ (Lüfter), um die entsprechende Luftgeschwindigkeit auszuwählen.

### 6.5 Heizbetrieb (diese Funktion ist nicht für das Nur-Kühlen-Modell verfügbar)

- Drücken Sie die Taste „Mode“ (Modus) bis das Symbol „Heat“ (Heizen) erscheint.
- Drücken Sie die Taste „Down“ (Nach unten) oder „Up“ (Nach oben), um die gewünschte Raumtemperatur zu wählen. (16 °C - 31 °C)
- Drücken Sie die Taste „Wind“ (Lüfter), um die entsprechende Luftgeschwindigkeit auszuwählen.

## 6 Bedienungsanleitung

### 6.6 Timer-Betrieb

Einstellung Timer ein:

- Wenn das Klimagerät ausgeschaltet ist, drücken Sie die Taste „Timer“ und wählen Sie mit den Tasten für die Temperatur- und Zeiteinstellung eine gewünschte Einschaltzeit.
- Es wird „Voreingestellte Einschaltzeit“ auf dem Bedienfeld angezeigt, nach einer Einstellzeit von 5 Sekunden wird „Solltemperatur“ auf beiden Displays angezeigt.
- Die Einschaltzeit kann auf jede Zeit von 0 - 24 Stunden eingestellt werden.

Einstellung Timer aus:

- Wenn das Klimagerät eingeschaltet ist, drücken Sie die Taste „Timer“ und wählen Sie mit den Tasten für die Temperatur- und Zeiteinstellung eine gewünschte Ausschaltzeit.
- Auf dem Bedienfeld wird „Voreingestellte Ausschaltzeit“ angezeigt.
- Die Ausschaltzeit kann auf jede Zeit von 0 - 24 Stunden eingestellt werden.

### 6.7 Automatisches Schwenken

- Diese Funktion konnte nur durch die Homewhiz-App realisiert werden.

### 6.8 Schlafmodus

- Drücken Sie im Cooling Mode (Kühlmodus) die Taste Sleep (Schlaf), um die Temperatur einzustellen. Sie erhöht die Temperatur nach einer Stunde um 1°C und nach zwei Stunden höchstens um 2°C.
- Drücken Sie im Heating Mode (Heizmodus) die Taste Sleep (Schlaf), um die Temperatur einzustellen. Sie senkt die Temperatur nach einer Stunde um 1°C und nach zwei Stunden höchstens um 2°C ab.
- Erneutes Drücken der der Taste Sleep (Schlaf) kann die Einstellung abbrechen.

### 6.9 Wasserablauf

Wasser-voll-Alarm

- Die innere Wasserschale in dem mobilen Klimagerät hat einen Wasserstands-Sicherheitsschalter, der den Wasserstand überwacht. Wenn der Wasserstand eine erwartete Höhe erreicht, leuchtet die Anzeige auf, dass ein hoher Wasserstand erreicht wurde. (Falls die Wasserpumpe beschädigt ist, entfernen Sie bitte bei vollem Wasser den Gummistopfen an der Unterseite des Geräts, und das gesamte Wasser läuft nach außen ab).

Kontinuierliches Ablassen

- Wenn Sie das Gerät längere Zeit nicht benutzen wollen, entfernen Sie bitte den Gummistopfen aus der Abflussöffnung an der Unterseite des Geräts und schließen Sie einen Ablaufschlauch an die untere Befestigungsklammer an. Das gesamte Wasser im Wassertank wird nach außen abfließen.



## 6 Bedienungsanleitung

- Sie können das Wasser wie oben beschrieben ablaufen lassen, wenn das Gerät im Heat Mode (Heizmodus) und Dehumidifying Mode (Entfeuchtungsmodus) arbeitet.
- Falls die Wasserpumpe beschädigt ist, kann ein kontinuierlicher Abfluss verwendet werden, unter dieser Bedingung wird die Wasserpumpe dann nicht aktiviert. Das Gerät arbeitet dann auch fehlerfrei.  
Falls die Wasserpumpe beschädigt ist, kann auch das Ablassen in Intervallen benutzt werden. In diesem Zustand, wenn die Wasser-voll-Anzeige aufleuchtet, schließen Sie bitte einen Ablassschlauch an die untere Befestigungsklammer an, dann wird das gesamte Wasser in der Wasserschale nach außen abgelassen. Das Gerät arbeitet dann auch fehlerfrei.

### 6.10 Drahtlos-Funktion

- Halten Sie die Taste Speed (Geschwindigkeit) 5 Sekunden gedrückt, um in den drahtlosen werksseitigen Set-up-Mode (Einstellungsmodus) zu gelangen;
- Das Gerät ist drahtlos verbunden, wenn die Drahtlos-Anzeige leuchtet, andernfalls ist es nicht angeschlossen. Wenn die Drahtlos-Anzeige langsam blinkt, befindet sich das Gerät im drahtlosen Set-up-Mode (Einrichtungsmodus), wenn sie schnell blinkt, ist das Gerät mit Drahtlos verbunden;
- Sie können die meisten Funktionen des mobilen Klimageräts über das Mobiltelefon APP (HomeWhiz) steuern, wenn eine drahtlose Verbindung besteht.

### 6.11 Verwendung des Thermostats in der Fernbedienung

- Sie können die Funktion Verwendung des Thermostats in der Fernbedienung über die Fernbedienung ein- oder ausschalten;
- Wenn diese Funktion eingeschaltet ist, regelt das Gerät die Raumtemperatur über den Temperatursensor in der Fernbedienung (der Raumtemperatursensor im Gerät funktioniert dann nicht mehr).
- Diese Funktion ist ausgeschaltet, wenn das Gerät das Signal von der Fernbedienung innerhalb von 30 Minuten nicht empfangen hat. Sie schaltet auf den normalen Raumtemperatursensor im Inneren des Geräts um, um die Temperatur zu regeln.

## 7 Montageanleitungen

### 7.1 Montageanleitungen:

- Ein Abluftklimagerät in der Wohnung ist so zu installieren, dass ausreichend freier Platz um das Gerät vorhanden ist. Der Luftauslass darf nicht blockiert werden, und der erforderliche Abstand rundum sollte mindestens 30 cm betragen. (Siehe Abb. 8)
- Darf nicht an nassen Orten, wie z. B. in der Waschküche, installiert werden.
- Die Verkabelung der Steckdosen muss den örtlichen Anforderungen an die elektrische Sicherheit entsprechen.

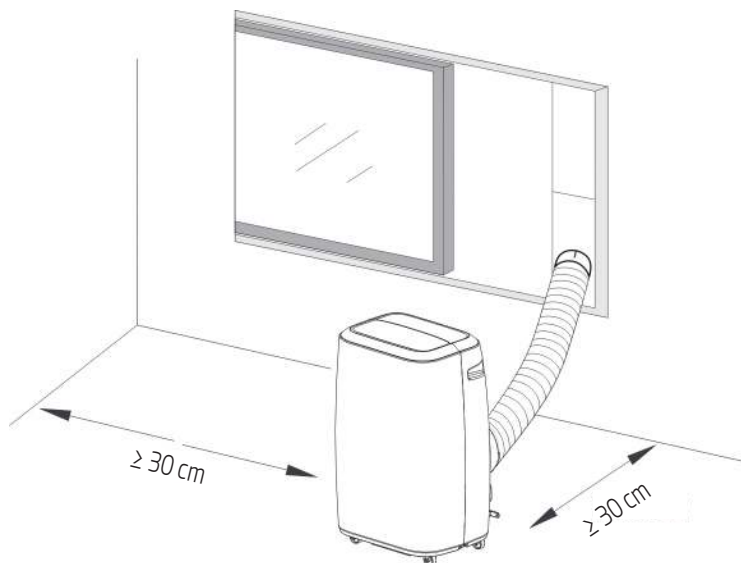


Abb. 8

## 7 Montageanleitungen

### 7.2 Einführung in die Montage von Abluftschläuchen

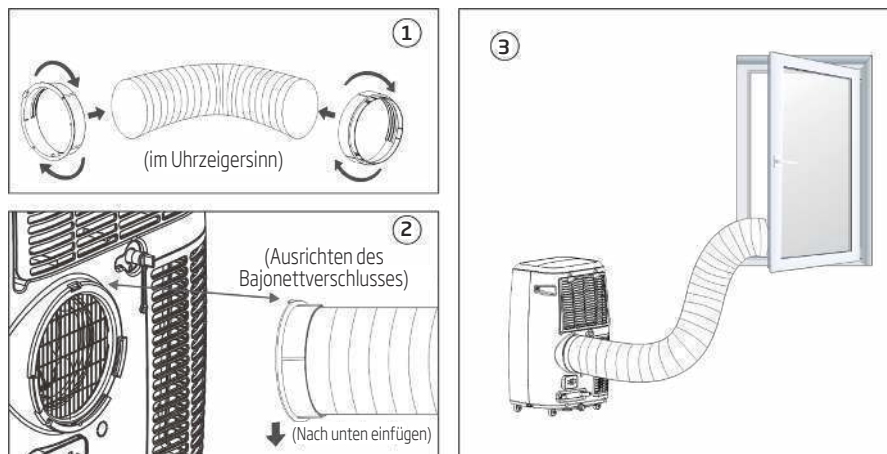


Abb. 9

#### Temporäre Montage

1. Drehen Sie beide Enden des Abluftschlauchs in die quadratische Befestigungsschelle und die flache Befestigungsschelle.
2. Führen Sie die quadratische Befestigungsklammer in die Öffnungen auf der Rückseite des mobilen Klimageräts ein (siehe Abb. 9).
3. Stecken Sie das andere Ende des Abluftschlauchs auf die nahe Fensterbank.

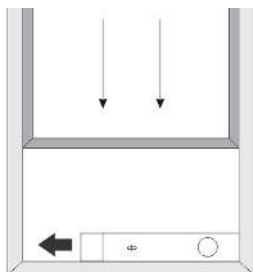
#### Montage des Fensterschieber-Bausatzes

Die Montage des Fensterschieber-Bausatzes erfolgt meistens „waagrecht“ und „senkrecht“. Wie in Abb. 10 und Abb. 10a dargestellt, überprüfen Sie vor dem Einbau die minimale und maximale Größe des Fensters.

1. Montieren Sie den Fensterschiebersatz auf dem Fenster (Abb. 10, Abb. 10a);
2. Passen Sie die Länge des Fensterschiebersatzes entsprechend der Fensterbreite oder -höhe an und befestigen Sie ihn mit dem Dübel;
3. Setzen Sie das Fensterverbindungsstück des Schlauches in das Loch des Fensterbausatzes ein.

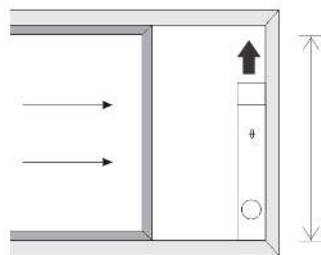
## 7 Montageanleitungen

①



Fensterbreite  
min.: 67,5 cm  
max.: 123 cm

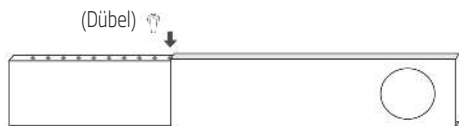
Abb. 10



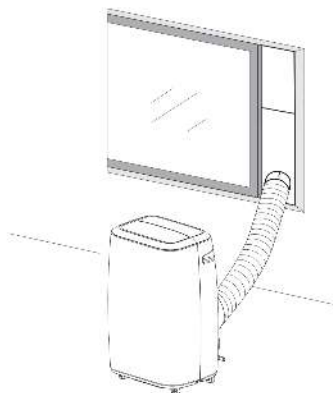
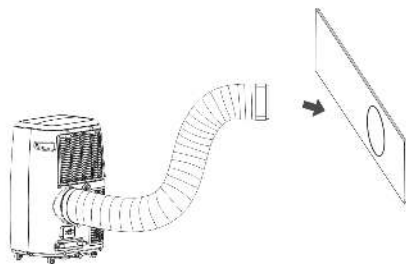
Fensterhöhe  
min.: 67,5 cm  
max.: 123 cm

Abb. 10a

②



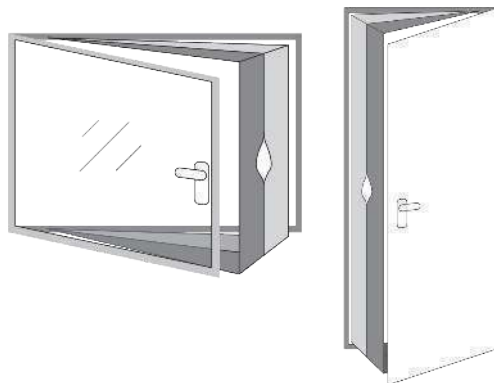
③



## 7 Montageanleitungen

### 7.3 Universelles Versteimmungssatz-Zubehör für mobiles Klimagerät (optional)

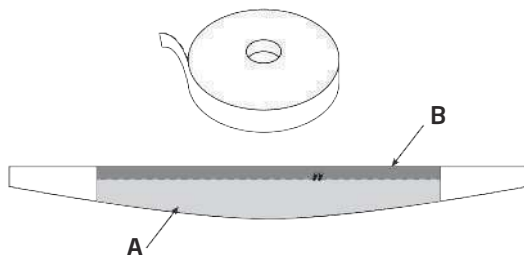
Geeignet für Fenster und Türen



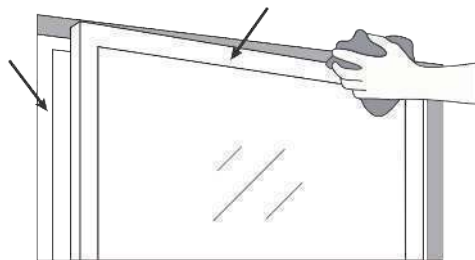
**In diesem Bausatz sind enthalten:**

1 Stück Stoff (4 m)

1 Rolle Klebeband zum Festkleben (9 m)

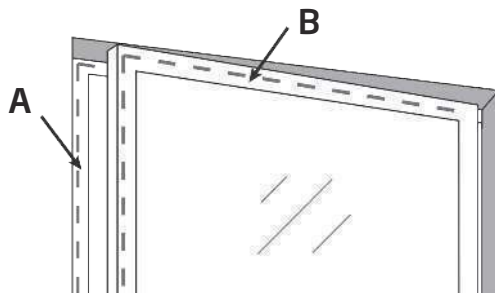


1. Öffnen Sie das Fenster und reinigen Sie die Türen und den Rahmen, bevor Sie das Klebeband aufkleben.

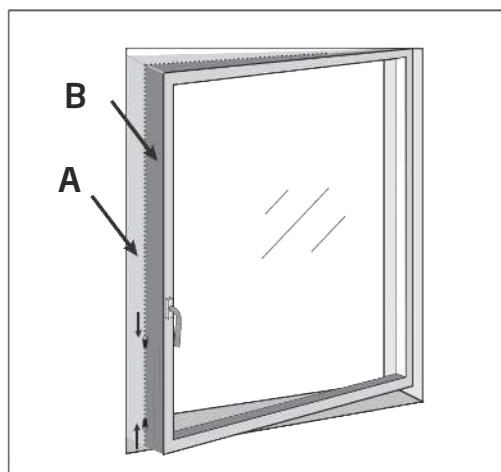


## 7 Montageanleitungen

- Schneiden Sie große Streifen Haftklebeband auf die Maße des Fensters zu. Kleben Sie sie auf den Rahmen Ihres Fensters und machen Sie dann dasselbe auf der Innenseite der Fensterklappe (auf der Seite des Griffs).

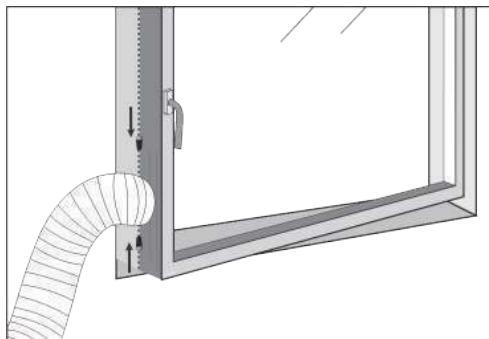


- Kleben Sie die breiteste Seite (A) des großen weißen Stoffstücks auf den Fensterrahmen und kleben Sie dann die schmalere Seite (B) von der Mitte aus auf den Fensterflügel (Griffseite), dann nach oben und schließlich nach unten.



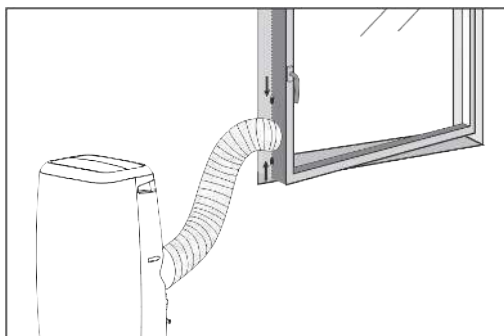
- Schließen Sie das Fenster und achten Sie darauf, dass das große Stoffstück nicht in den Schließnähten verklebt wird und das Fenster immer richtig schließt, auch mit den Klebebändern.
- Öffnen Sie das Fenster vorsichtig und öffnen Sie den Reißverschluss des Stoffstücks (auf Höhe des unteren oder mittleren Teils des Fensters) und führen Sie dann den Abluftkanal in die Öffnung ein. Stellen Sie den Reißverschluss wieder so ein, dass das Abluftrohr so angebracht ist, dass kein Luftaustausch zwischen innen und aussen stattfindet.

## 7 Montageanleitungen



6. Ihr Verstellungssatz ist jetzt montiert, Sie können das Gerät nun einschalten und die Kühle Ihres mobilen Klimageräts genießen!

Falls Sie Ihr mobiles Klimagerät nicht mehr benutzen und Ihr Fenster schließen möchten, können Sie einfach die Ummantelung vom Reißverschluss entfernen und Ihr Fenster schließen, indem Sie überprüfen, dass das Stoffstück nicht in den Schließdichtungen verklemt ist.



### Hinweis:



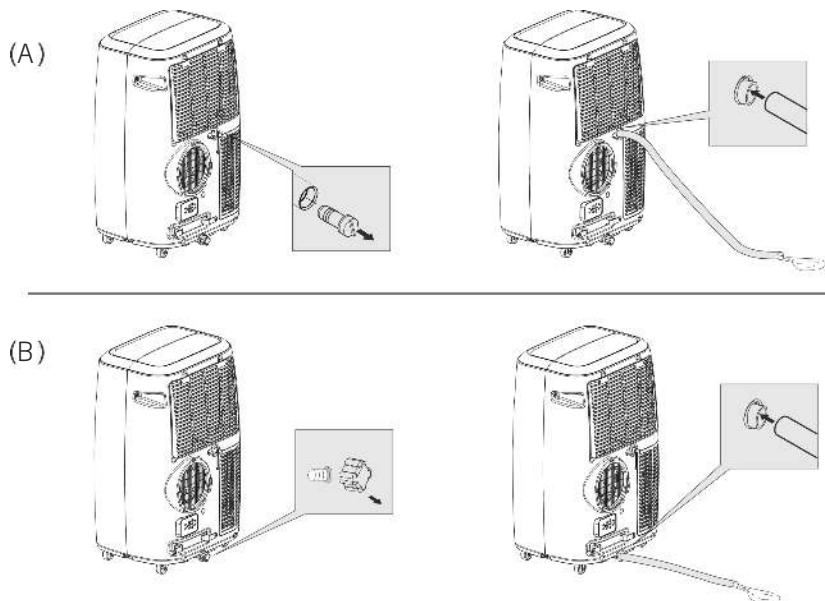
Falls Sie ein Fenster mit französischer Öffnung mit zwei Flügeln haben: Blockieren Sie den ersten Flügel mit dem Griff und führen Sie die Montage des Verstellungssatzes auf dem zweiten Flügel (ohne Griff) durch.

Überprüfen Sie vor der Montage, dass das Klebeband Ihr Fenster nicht beschädigt.

## 7 Montageanleitungen

### 7.4 Wasser-voll-Alarm

Die innere Wasserschale in dem mobilen Klimagerät hat einen Wasserstands-Sicherheitsschalter, der den Wasserstand überwacht. Wenn der Wasserstand eine erwartete Höhe erreicht, leuchtet die Anzeige auf, dass ein hoher Wasserstand erreicht wurde. (Wenn die Wasserpumpe beschädigt ist und das Wasser voll ist, entfernen Sie bitte den Gummistopfen an der Unterseite des Geräts und das gesamte Wasser wird nach außen abgelassen).



Die sich oben befindende Öffnung (A) dient zum Absaugen des Wassers aus dem mobilen Klimagerät (entfernen Sie den Gummistopfen und fügen Sie den Ablaufschlauch an der Öffnung hinzu), wenn viel Feuchtigkeit im Raum ist (bei kontinuierlicher Entleerung) oder wenn das Produkt im Modus Dehumidification (Entfeuchtung) oder Heating (Heizen) betrieben wird.

Die sich am Boden befindende Öffnung (B) hat einen Tank und ist dann zu benutzen, wenn der Tank entleert werden muss (Wassertank-Alarm). Entfernen Sie einfach den Gummistopfen und fügen Sie den Ablassschlauch in die Öffnung ein, um das Wasser aus dem Tank abzulassen.

#### Hinweis:



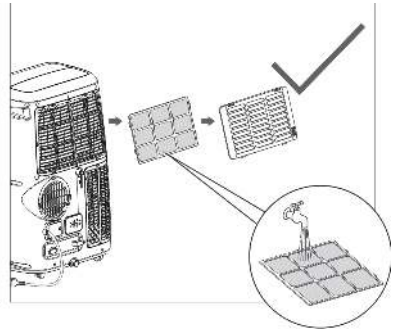
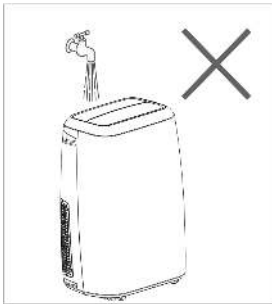
Beachten Sie, dass je nach Füllung des Wassertanks manchmal sehr viel Wasser abgelassen werden muss. In diesem Fall wäre es ideal, ihn nach draußen oder über einem großen Becken zu entleeren, damit Ihr Zimmer nicht überflutet wird.



## 8 Tipps zur Wartung

### Warnung:

- Trennen Sie das Gerät immer vom Stromnetz, bevor Sie es reinigen oder warten.
- Verwenden Sie keine brennbaren Flüssigkeiten oder Chemikalien zur Reinigung des Geräts.
- Reinigen Sie das Gerät nicht unter laufendem Wasser. Andernfalls besteht die Gefahr eines Stromschlags.
- Betreiben Sie das Gerät nicht, wenn das Netzteil während der Reinigung beschädigt wurde. Ein beschädigtes Netzkabel muss durch ein neues Kabel vom Hersteller ersetzt werden.
- Falls das Klimagerät beschädigt ist, wenden Sie sich bitte an den Händler oder die Reparaturwerkstatt.



### 8.1 Reinigen des Luftfilters

- Falls der Luftfilter durch Staub/Schmutz verstopft ist, muss er alle zwei Wochen gereinigt werden.
- Demontage  
Öffnen Sie das Lufteinlassgitter und nehmen Sie den Luftfilter ab.
- Reinigung  
Reinigen Sie den Luftfilter mit einem milden Reinigungsmittel bei lauwarmen Temperatur (40°C) und lassen Sie ihn im Schatten trocknen.
- Befestigen  
Setzen Sie den Luftfilter in das Ansauggitter ein und tauschen Sie die Komponenten wie sie waren aus.

## 8 Tipps zur Wartung



### Warnung:

Betreiben Sie das Gerät nicht ohne Filter, da Schmutz und Fusseln es verstopfen und die Leistung beeinträchtigen können.

### 8.2 Reinigen der Oberfläche des Klimageräts

Reinigen Sie die Oberfläche zunächst mit einem neutralen Reinigungsmittel und einem feuchten Tuch und wischen Sie sie dann mit einem trockenen Tuch ab.

### Pflegetipps

Reinigen Sie den Luftfilter alle zwei Wochen, um eine optimale Leistung zu erzielen.

Die Wasserauffangschale sollte unmittelbar nach Auftreten des Fehlers P1 und vor der Lagerung entleert werden, um Schimmelbildung zu vermeiden.

In Haushalten mit Tieren müssen Sie das Schutzgitter regelmäßig abwischen, um eine Verstopfung durch Tierhaare zu verhindern.

### Reinigung des Geräts

Reinigen Sie das Gerät mit einem feuchten, fusselfreien Tuch und einem milden Reinigungsmittel. Trocknen Sie das Gerät mit einem trockenen, fusselfreien Tuch.

### Lagern Sie das Gerät, wenn Sie es nicht verwenden.

Entleeren Sie die Wasserauffangschale des Geräts gemäß den Anweisungen im folgenden Abschnitt.

Lassen Sie das Gerät in einem warmen Raum 12 Stunden im Fan mode (Lüftermodus) laufen, um es zu trocknen und Schimmelbildung zu vermeiden.

Schalten Sie das Gerät aus und ziehen Sie den Netzstecker heraus.

Reinigen Sie den Luftfilter gemäß den Anweisungen im vorherigen Abschnitt. Setzen Sie den sauberen, trockenen Filter vor der Lagerung wieder ein.

Entfernen Sie die Batterien aus der Fernbedienung.

Bewahren Sie das Gerät an einem kühlen, dunklen Ort auf. Direkte Sonneneinstrahlung oder extreme Hitze kann die Lebensdauer des Geräts verkürzen.



**Hinweis:** Das Gehäuse und die Vorderseite können mit einem ölfreien Tuch abgestaubt oder mit einem Tuch abgewischt werden, das mit einer Lösung aus warmem Wasser und einem milden flüssigen Spülmittel getränkt ist. Gründlich abspülen und trockenwischen. Verwenden Sie niemals scharfe Reinigungsmittel, Wachs oder Poliermittel an der Gehäusefront. Entfernen Sie unbedingt überschüssiges Wasser aus dem Tuch, bevor Sie die Bedienelemente abwischen. Überschüssiges Wasser in den oder um die Bedienelemente herum kann zu Schäden am Gerät führen.

## 10 Fehlerbehebung

Fehler	Mögliche Ursachen	Empfohlene Abhilfen
1. Das Gerät lässt sich nicht einschalten, wenn die Taste On/Off (Ein/Aus) gedrückt wird	- Die Anzeigeleuchte für Wasser voll blinkt und der Wassertank ist voll.	Lassen Sie das Wasser aus dem Wassertank ab.
	- Die Raumtemperatur ist höher als die eingestellte Temperatur. (Heating mode (Heizmodus))	Temperatur neu einstellen
	- Die Raumtemperatur ist niedriger als die eingestellte Temperatur. (Cooling mode (Kühlmodus))	Temperatur neu einstellen
2. Nicht kühl genug	- Die Türen oder Fenster sind nicht geschlossen.	Stellen Sie sicher, dass alle Fenster und Türen geschlossen sind.
	- Im Raum gibt es Wärmequellen	Entfernen Sie die Wärmequellen, wenn möglich.
	- Der Abluftschlauch ist nicht angeschlossen oder verstopft.	Schließen Sie den Abluftschlauch an oder reinigen Sie ihn.
	- Temperatureinstellung ist zu hoch	Temperatur neu einstellen
	- Der Lufteinlass ist verstopft.	Reinigen Sie den Lufteinlass.
3. Laute Geräusche	- Der Boden ist nicht eben oder nicht flach genug.	Falls möglich, stellen Sie das Gerät auf einen flachen, ebenen Boden.
	- Der Schall kommt von der Strömung des Kältemittels im Inneren der Klimaanlage.	Das ist normal.
4. E0 Code	Raumtemperaturfühler ist ausgefallen	Tauschen Sie den Raumtemperaturfühler aus (das Gerät funktioniert auch ohne Austausch).
5. E1 Code	Kondensatortemperaturfühler ist ausgefallen	Kondensatortemperaturfühler ist austauschen
6. E2 Code	Wassertank beim Kühlen voll	Nehmen Sie den Gummistopfen ab und entleeren Sie das Wasser.
7. E3 Code	Der Temperaturfühler des Verdampfers ist ausgefallen	Ersetzen Sie den Temperaturfühler des Verdampfers
8. E4 Code	Wassertank beim Heizen voll	Wassertank bitte leeren.



**Hinweis:** Die tatsächlichen Produkte können anders aussehen.

## 11 Europäische Entsorgungsrichtlinien

Bei der Verwendung dieses Geräts in europäischen Ländern müssen die folgenden Informationen beachtet werden:

Entsorgung: Entsorgen Sie dieses Produkt nicht als unsortierten Hausmüll. Wenn dieses Gerät entsorgt werden soll, muss es zur besonderen Behandlung getrennt abgeholt werden.

Es ist verboten, dieses Gerät im Hausmüll zu entsorgen.

Es gibt mehrere Möglichkeiten, dieses Gerät zu entsorgen:

- Ihre Stadt/Gemeinde hat möglicherweise Sammelsysteme eingerichtet, mithilfe derer der Benutzer Elektronikschrott kostenlos entsorgen kann.
- Beim Kauf eines neuen Produkts nimmt der Händler das alte Produkt möglicherweise kostenlos zurück.
- Der Hersteller nimmt das alte Gerät vom Benutzer zur Entsorgung möglicherweise kostenlos zurück.
- Da alte Produkte wertvolle Ressourcen enthalten, können sie an Altmetallhändler verkauft werden.

Die wilde Entsorgung von Abfällen in Wäldern und Landschaften gefährdet Ihre Gesundheit, wenn gefährliche Stoffe in das Grundwasser und die Nahrungskette gelangen.



Dieses Symbol zeigt an, dass dieses Gerät am Ende seiner Einsatzzeit nicht mit anderem Hausmüll entsorgt werden darf. Altgeräte müssen an offizielle Sammelstellen zum Recycling elektrischer und elektronischer Geräte abgegeben werden. Nähere Angaben zu diesen Sammelstellen erhalten Sie von Ihrer Stadtverwaltung oder dem Händler, bei dem Sie das Gerät erworben haben. Der Beitrag jedes Haushalts zum Umweltschutz ist wichtig. Eine angemessene Entsorgung von Altgeräten hilft bei der Verhinderung negativer Auswirkungen auf Umwelt und menschliche Gesundheit.

## 12 Installationsanleitungen

### 12.1 F-Gas-Anweisung

Dieses Produkt enthält fluorierte Treibhausgase.

Die fluorierten Treibhausgase sind in hermetisch verschlossenem Equipment enthalten.

Installationen, Dienstleistungen, Wartungen, Reparaturen, Überprüfungen auf Leckstellen oder das Stilllegen von Equipment und das Produktrecycling, sollten von natürlichen Personen, die entsprechenden Zertifizierungen erworben haben, durchgeführt werden.

Wenn das System über eine Leckageerkennung verfügt, sollten Leckagekontrollen mindestens alle 12 Monate durchgeführt werden, um sicherzustellen, dass das System ordnungsgemäß arbeitet.

Wenn Leckagekontrollen am Produkt durchgeführt werden, sollte der Inspektionszyklus angegeben werden, Festlegung und Datenspeicherung der Leckagekontrollen.



**Hinweis:** Falls das CO<sub>2</sub>-Äquivalent der fluorierten Treibhausgase bei hermetisch verschlossenen Geräten, mobilen Klimageräten, Fenster-Klimageräten und Luftentfeuchtern, weniger als 10 Tonnen beträgt, müssen Sie keine Leckagenüberprüfung durchführen.

## 13 Technische Daten

Beko-Modellbezeichnung	BP109C	BP112C	BP112H	BP113H	BP109AC	BP109AH
Kühlmittel	R290	R290	R290	R290	R290	R290
Gesamtmenge an Kühlmittel (g)	212	226	226	225	230	230
Klimaklasse	T1	T1	T1	T1	T1	T1
Kühlleistung (Btu/h)	8871	11942	11942	12966	8530	8530
Kühlleistung (W)	2600	3500	3500	3800	2500	2500
Heizleistung (Btu/h)	-	-	8871	10577	-	7165
Heizleistung (W)	-	-	2600	3100	-	2100
Energieeffizienz beim Kühlen (W/W) -EER	2,60	2,60	2,60	2,60	3,10	3,10
Energieeffizienz beim Heizen (W/W) -COP	-	-	2,30	2,30	-	2,60
Energieniveau - Kühlen	A (EU 626/2011)	A (EU 626/2011)	A (EU 626/2011)	A (EU 626/2011)	A+ (EU 626/2011)	A+ (EU 626/2011)
Energieniveau - Heizen	-	-	A (EU 626/2011)	A (EU 626/2011)	-	A+ (EU 626/2011)
Leistungsaufnahme - Kühlen (W)	1000	1346	1346	1462	806	806
Leistungsaufnahme - Heizen (W)	-	-	1130	1348	-	807
Spannung/Frequenz (V/Hz)	220 - 240 V~/50 Hz	220 - 240 V~/50 Hz	220 - 240 V~/50 Hz	220 - 240 V~/50 Hz	220 - 240 V~/50 Hz	220 - 240 V~/50 Hz
Geräuschleistungspegel (dBA) - (Geräuschleistung)	65/63/61	65/63/61	65/63/61	65/63/61	65/63/61	65/63/61
Geräuschdruckpegel (dBA) - (Geräuschdruck)	52/50/48	52/50/48	52/50/48	52/50/48	52/50/48	52/50/48
Durchflussmenge (m <sup>3</sup> /h)	380	380	380	440	380	380
Feuchtigkeitsentfernung (L/h)	1,0	1,2	1,2	1,5	1,0	1,0
Betriebstemperaturbereich beim Kühlen (°C)	18 °C - -35 °C	18 °C - -35 °C	18 °C - -35 °C	18 °C - -35 °C	18 °C - -35 °C	18 °C - -35 °C
Betriebstemperaturbereich beim Heizen (°C)	-	-	7 °C - -27 °C	7 °C - -27 °C	-	7 °C - -27 °C

## 13 Spezifikationen

---

1. Die Spezifikationen sind Standardwerte, die auf der Grundlage der Nennbetriebsbedingungen berechnet werden. Sie variieren in den unterschiedlichen Betriebsbedingungen.
2. Unser Unternehmen steht für schnelle technische Verbesserungen. Es gibt keine Vorankündigung für Änderungen der technischen Daten. Bitte lesen Sie das Typenschild auf dem Klimagerät.
3. Der Nennwert wird unter 35/24 (Ein.) 35/24 (Aus) geprüft.






# Leia este manual de utilizador atentamente!


Estimado Cliente,


Obrigado por optar pela compra de um produto Beko. Esperamos que obtenha bons resultados com este produto, que foi fabricado com a mais alta qualidade e a tecnologia mais avançada. Assim, pedimos-lhe que leia atentamente este manual de utilizador na sua totalidade e todos os outros documentos que o acompanham, antes de utilizar o produto, guardando-os para consulta futura. Se entregar o produto a outra pessoa, entregue também o manual de utilizador. Respeite todos os avisos e informações indicados no manual de utilizador.

## Significado dos símbolos

Os símbolos que se seguem são utilizados nas várias secções deste manual:

	Informações importantes ou sugestões úteis relacionadas com a utilização.
--	---


	Advertências relativas a situações perigosas que colocam em risco a vida e bens materiais.
--	--


	Advertências relativas a ações que nunca devem ser executadas.
--	--

	Advertência sobre choque elétrico.
---	------------------------------------

	Advertência sobre superfícies quentes.
--	--

	Não devem ser cobertas.
--	-------------------------

	Este símbolo significa que o manual de instruções deve ser lido atentamente.
---	--

	Este símbolo significa que este equipamento deve ser manuseado por pessoal de manutenção, com consulta do manual de instalação.
---	---

	Este símbolo significa que este aparelho utiliza um refrigerante inflamável. Caso o refrigerante vaze ou seja exposto a uma fonte de ignição externa, ocorre risco de incêndio.
--	---



Este produto foi fabricado em instalações modernas e amigas do ambiente

# Índice

<b>1</b>	<b>Aviso de segurança</b>	<b>285</b>
<b>2</b>	<b>Nome das peças</b>	<b>312</b>
<b>3</b>	<b>Acessórios</b>	<b>313</b>
<b>4</b>	<b>Aparência e função do painel de controlo</b>	<b>314</b>
4.1	Apenas no modelo de arrefecimento (não reversível) .....	314
4.2	Modelo de arrefecimento e bomba de calor (reversível) .....	315
<b>5</b>	<b>Aparência e função do controlo remoto</b>	<b>316</b>
<b>6</b>	<b>Introdução de operação</b>	<b>318</b>
6.1	Antes de utilizar .....	318
6.2	Operação de arrefecimento .....	319
6.3	Operação de desumidificação .....	319
6.4	Operação em modo Fan (Ventoinha).....	319
6.5	Operação de aquecimento (esta função não está disponível para as unidades apenas de frio-) .....	319
6.6	Funcionamento Timer (Temporizador) .....	320
6.7	Oscilação automática.....	320
6.8	Modo Sleep (Sono) .....	320
6.9	Drenagem de água .....	320
6.10	Função sem fios  .....	321
6.11	Função Zone follow (Seguir zona) .....	321
<b>7</b>	<b>Esclarecimentos sobre a instalação</b>	<b>322</b>
7.1	Esclarecimentos sobre a instalação: .....	322
7.2	Introdução à instalação da mangueira de exaustão.....	323
7.3	Acessório de kit de calafetagem universal para aparelhos de ar-condicionado móveis (opcional).....	325
7.4	Utilize o filtro Hepa 13 (apenas para o modelo BP113H) .....	328
7.5	Alarme de depósito cheio .....	329

# Índice

---

<b>8</b>	<b>Instruções de manutenção</b>	<b>330</b>
8.1	Limpeza do filtro de ar.....	330
8.2	Limpe a superfície do aparelho de ar-condicionado .....	331
<b>9</b>	<b>Manutenção</b>	<b>332</b>
<b>10</b>	<b>Solução de problemas</b>	<b>333</b>
<b>11</b>	<b>Diretrizes europeias relativas à eliminação de resíduos</b>	<b>334</b>
<b>12</b>	<b>Instruções de instalação</b>	<b>335</b>
12.1	Instruções para o gás F.....	335
<b>13</b>	<b>Especificações</b>	<b>336</b>

---

## 1 Aviso de segurança

### Muito importante

Não instale ou utilize o seu ar-condicionado móvel antes de ler atentamente este manual. Guarde este manual de instruções para fins de garantia do produto e para referência futura.

### Advertência

Não utilize meios para acelerar o processo de descongelamento ou limpar, diferentes dos recomendados pelo fabricante.

O aparelho deve ser armazenado em divisão sem fontes de ignição em funcionamento contínuo (como, por exemplo: chamas abertas, um aparelho de gás em funcionamento ou um aquecedor elétrico em funcionamento).

Não perfurar nem queimar.

Atenção que os refrigerantes podem não ter odor.

O aparelho deve ser instalado, funcionar e ser armazenado numa divisão com área superior a X m<sup>2</sup>.

Modelo	X (m <sup>2</sup> )
9000Btu/h, 10000Btu/h, 12000Btu/h, 13000Btu/h	12

## 1 Aviso de segurança

### Aviso (para o R290)

Informação específica relativa a aparelhos com gás refrigerante R290.

- Leia todos os avisos na íntegra.
- Ao descongelar e limpar o aparelho, não utilize ferramentas diferentes das recomendadas pelo fabricante.
- O aparelho deve ser colocado numa área sem fontes de ignição contínua (por exemplo: chamas abertas, gás ou aparelhos elétricos em funcionamento).
- Não perfure e não queime.
- Este aparelho contém Y g (ver etiqueta de classificação na parte traseira da unidade) de gás refrigerante R290.
- O R290 é um gás refrigerante que cumpre as diretivas europeias relativas ao ambiente. Não perfure nenhuma parte do circuito refrigerante.
- Se o aparelho for instalado, utilizado ou armazenado numa área sem ventilação, a mesma deve ser arranjada de modo a evitar a acumulação de vazamento de refrigerante e o risco de incêndio ou explosão devido à ignição do refrigerante causada por aquecedores elétricos, fogões ou outras fontes de ignição.
- O aparelho deve ser armazenado de forma a evitar falhas mecânicas.
- Os indivíduos que operem ou trabalhem no circuito do refrigerante devem ter a certificação adequada emitida por uma organização acreditada, que assegure a competência no manuseamento de refrigerantes de acordo com uma avaliação específica reconhecida por associações na indústria.

## 1 Aviso de segurança

- As reparações devem ser realizadas com base nas recomendações do fabricante. A manutenção e as reparações que requeiram a assistência de pessoal qualificado devem ser realizadas sob a supervisão de um técnico qualificado na utilização de refrigerantes inflamáveis.

### Instruções de segurança gerais

1. O aparelho destina-se apenas para utilização em interiores.
2. Não utilize a unidade numa tomada em reparação ou sem estar devidamente instalada.
3. Não utilize a unidade, siga estas precauções:
  - A: Perto de fontes de fogo.
  - B: Numa área suscetível a salpicos de óleo.
  - C: Numa área exposta à luz solar direta.
  - D: Numa área suscetível a salpicos de água.
  - E: Perto de uma banheira, lavandaria, chuveiro ou piscina.
4. Nunca coloque os dedos ou objetos afiados na saída de ar. Tenha o cuidado de alertar as crianças para estes perigos.
5. Mantenha a unidade virada para cima durante o transporte e o armazenamento, para localizar o compressor corretamente.
6. Antes de limpar o ar-condicionado, desligue-o sempre ou retire a ficha da tomada.
7. Ao mover o ar-condicionado, desligue-o e retire sempre a ficha da tomada, e mova-o lentamente.

## 1 Aviso de segurança

8. Para evitar a possibilidade de um incêndio, o aparelho não deve ser coberto.
9. Todas as tomadas do ar-condicionado devem cumprir os requisitos de segurança elétrica locais. Se necessário, verifique os requisitos.
10. As crianças devem ser supervisionadas, para assegurar que não brincam com o aparelho.
11. Caso o cabo de alimentação esteja danificado, deve ser substituído pelo fabricante, o agente de manutenção ou pessoal igualmente qualificado para evitar riscos.
12. Este aparelho pode ser utilizado por crianças de 8 anos ou mais e por pessoas com capacidades físicas, sensoriais ou mentais reduzidas, ou por pessoas com falta de experiência ou conhecimento, se tiverem tido formação ou instrução em relação à utilização do aparelho de forma segura e compreenderem os perigos envolvidos. As crianças não deverão brincar com o aparelho. A limpeza e manutenção não devem ser feitas por crianças a menos que sejam supervisionadas.
13. O aparelho deverá ser instalado em conformidade com a regulação nacional para instalações elétricas.
14. Detalhes do tipo e classificação dos fusíveis: T, 250 V CA, 2 A ou superior.
15. Contacte um técnico de serviço autorizado para reparar ou fazer manutenção desta unidade.
16. Não puxe, deforme ou modifique o cabo de alimentação, nem o mergulhe em água. Puxar ou utilizar incorretamente o cabo de alimentação pode danificar a unidade e provocar um choque elétrico.



## **1** Aviso de segurança

17. Devem ser tomadas em consideração as normas nacionais de gás.
18. Mantenha as aberturas de ventilação desobstruídas.
19. Qualquer pessoa que esteja envolvida no trabalho ou entre num circuito refrigerante deve ter certificação válida e atualizada de uma autoridade de avaliação credenciada pelo setor, certificando a sua competência para lidar com os agentes refrigerantes com segurança, de acordo com a especificação de avaliação reconhecida pelo setor.
20. A manutenção devem apenas ser executada conforme recomendado pelo fabricante do equipamento. Os serviços de manutenção e de reparação, que necessitem de assistência de outro pessoal competente para o efeito, devem ser executados sob supervisão da pessoa competente na utilização de refrigerantes inflamáveis.
21. Não utilize nem desligue o aparelho inserindo ou puxando a ficha de alimentação; isto pode causar um choque elétrico ou fogo devido à geração de calor.
22. Desligue a unidade da corrente se emitir ruídos estranhos, odores ou fumo.
23. Este aparelho não deve ser utilizado por pessoas (incluindo crianças) com capacidades sensoriais físicas ou mentais reduzidas ou falta de experiência e conhecimento que não tenham supervisão ou instrução relativamente à utilização por parte de pessoa responsável pela segurança delas.

## 1 Aviso de segurança

24. Caso o cabo de alimentação esteja danificado, deve ser substituído pelo fabricante, pelo seu agente ou por pessoal igualmente qualificado para evitar riscos.

25. O aparelho deve indicar o isolamento de um dispositivo de corrente residual (RCD) com uma corrente de funcionamento residual nominal não superior a 30mA.

26. Este aparelho destina-se a ser utilizado em aplicações domésticas e similares, tais como:

- áreas de cozinha para os funcionários em lojas, escritórios e outros ambientes de trabalho;
- casas de campo;
- por clientes em hotéis, motéis e outros tipos de ambientes residenciais;
- ambientes do tipo alojamento com pequeno-almoço;

O aparelho deve indicar o isolamento de um dispositivo de corrente residual (RCD) com uma corrente de funcionamento residual nominal não superior a 30mA.

27. Declaração de impedância

Estes aparelhos só podem ser ligados a uma fonte de alimentação com impedância inferior  $0,367\Omega$ . Caso necessário, contacte a respetiva autoridade de fornecimento para obter informações acerca da impedância do sistema.

## 1 Aviso de segurança



### Nota:

- Se alguma peça se danificar, entre em contacto com o revendedor ou uma loja de reparação designada;
- Em caso de danos, desligue o interruptor de ar, desligue a fonte de alimentação e entre em contacto com o revendedor ou uma loja de reparação designada;
- Em qualquer caso, o cabo de alimentação deve estar devidamente ligado à terra.
- Para evitar a possibilidade de perigo, se o cabo de alimentação estiver danificado, desligue o interruptor de ar e desligue a tomada da corrente. Deve ser substituído através do revendedor ou de uma loja de reparações designada.



### **Avisos (apenas para a utilização de refrigerante R290)**

#### **1. Instruções gerais**

##### 1.1 Verificações na área

Antes de iniciar o trabalho nos sistemas que contenham agentes refrigerantes inflamáveis, são necessárias verificações de segurança para garantir que o risco de ignição seja minimizado. Para reparação do sistema de refrigeração, devem ser cumpridas as seguintes precauções antes da realização de trabalhos no sistema.

##### 1.2 Procedimento de trabalho

Os trabalhos devem ser efetuados de acordo com um procedimento controlado, para minimizar o risco de presença de um gás ou vapor inflamável enquanto estiverem a ser realizados.

##### 1.3 Área de trabalho geral

Todo o pessoal de manutenção e de outros serviços, que se encontrem a trabalhar na área local, devem obter formação acerca da natureza do trabalho a ser executado. Deve ser evitado o trabalho em espaços confinados. A área envolvente do espaço de trabalho deve ser delimitada. Deve garantir-se que as condições na área foram tornadas seguras, através de controlo do material inflamável.

##### 1.4 Verificar a presença de agente refrigerante

A área deve ser verificada com um detetor de agente refrigerante adequado, antes e durante a execução dos trabalhos, para assegurar que o técnico tem conhecimento acerca das atmosferas potencialmente inflamáveis. Deve garantir-se que o equipamento de deteção de vazamentos utilizado é adequado para utilização com agentes refrigerantes inflamáveis, ou seja, sem ignição, adequadamente vedado ou intrinsecamente seguro.

## 1 Aviso de segurança

### 1.5 Presença de extintor de incêndios

Caso tenha de ser realizado qualquer trabalho a quente no equipamento de refrigeração ou em qualquer uma das peças associadas, deve encontrar-se disponível e acessível equipamento extintor de incêndios adequado. Tenha um extintor de incêndio de pó seco ou CO<sub>2</sub> adjacente à área de carregamento.

### 1.6 Sem fontes de ignição

Nenhuma pessoa que execute trabalhos relativos ao sistema de refrigeração, que envolvam qualquer tipo de trabalho em tubagens que contenham, ou tenham contido, agente refrigerante inflamável, deve utilizar quaisquer fontes de ignição, de forma a que possa provocar risco de incêndio ou de explosão. Todas as possíveis fontes de ignição, incluindo cigarros acesos, devem ser mantidas suficientemente afastadas do local de instalação, reparação, remoção e eliminação, para a eventualidade de serem libertados agentes refrigerantes inflamáveis para o espaço envolvente, durante a realização daqueles trabalhos. Antes de executar os trabalhos, a área envolvente do equipamento deve ser inspecionada para garantir que não existem perigos inflamáveis nem riscos de ignição. Devem ser instalados sinais de "NÃO FUMAR".

### 1.7 Área ventilada

Deve garantir-se que a área se encontra ao ar livre ou que se encontra devidamente ventilada, antes de entrar no sistema ou de realizar qualquer trabalho a quente. Deve continuar a existir alguma ventilação durante o período, no qual o trabalho é realizado. A ventilação deve dispersar com segurança qualquer refrigerante libertado, expelindo-o de preferência para o exterior, para a atmosfera.

## **1** Aviso de segurança

### 1.8 Verificações no equipamento de refrigeração

Quando os componentes elétricos estiverem a ser alterados, devem ser adequados aos fins específicos e estar em conformidade com a especificação correta. Devem ser sempre seguidas as diretrizes sobre assistência e de manutenção do fabricante. Em caso de dúvida, contactar o departamento técnico do fabricante para obter mais assistência. As verificações a seguir devem ser realizadas em instalações onde sejam utilizados refrigerantes inflamáveis: o tamanho da carga é adequado para o tamanho da divisão onde são instaladas as peças que contêm refrigerante; o mecanismo de ventilação e as saídas estão a funcionar corretamente e não estão obstruídos; se estiver a ser usado um circuito de refrigeração indireto, deve verificar-se a presença de refrigerante no circuito secundário; a marcação do equipamento continua visível e legível. As marcações e os sinais ilegíveis devem ser corrigidos; o tubo ou os componentes de refrigeração são instalados numa posição onde seja improvável serem expostos a qualquer substância que possa corroer os componentes que contêm refrigerante, a menos que os componentes sejam fabricados com materiais inerentemente resistentes à corrosão ou estejam protegidos adequadamente contra a corrosão.

## **1** Aviso de segurança

### 1.9 Verificações a dispositivos elétricos

A reparação e a manutenção dos componentes elétricos devem incluir verificações de segurança iniciais e procedimentos de inspeção aos componentes. Caso exista alguma falha que possa comprometer a segurança, então não deve ser abastecida corrente elétrica ao circuito até que a falha tenha sido resolvida satisfatoriamente. Caso não seja possível corrigir a falha de imediato, porém seja necessário continuar a operação, deve ser utilizada uma solução temporária adequada. Isto deverá ser comunicado ao proprietário do equipamento, para que todas as partes se encontrem informadas do problema.

As verificações iniciais de segurança devem incluir: se os condensadores estão descarregados; isto deve ser feito de forma segura para evitar a possibilidade de faíscas; se não há componentes elétricos e cabos sob tensão expostos durante o carregamento, recuperação ou purga do sistema; se há continuidade da ligação à terra.

## **2. Reparções de componentes vedados**

2.1 Durante as reparações de componentes vedados, todos os abastecimentos de energia elétrica devem ser desligados do equipamento a ser reparado, imediatamente antes de qualquer remoção de tampas vedadas, etc. Caso seja absolutamente necessário ter abastecimento de energia elétrica para o equipamento, durante a manutenção, então deverá ser instalado um detetor de vazamento em funcionamento permanente no ponto mais crítico, para avisar sobre situações potencialmente perigosas.

## 1 Aviso de segurança

2.2 Deve ser tomada especial atenção aos seguintes aspetos, para assegurar que, ao trabalhar com componentes elétricos, a caixa não fique alterada de tal forma que o nível de proteção fique afetado. Isto deverá incluir os danos em cabos, número excessivo de ligações, terminais não fabricados em conformidade com as especificações originais, danos nas vedações, ajuste incorreto de buçins, etc. Garantir que o aparelho é montado com segurança. Garantir que as vedações ou os materiais de vedação não se deterioraram de tal forma que já não sejam úteis para impedir a entrada de atmosferas inflamáveis. As peças sobresselentes devem estar em conformidade com as especificações do fabricante.



**Nota:** A utilização de vedante de silicone pode inibir a eficácia de alguns tipos de equipamento de deteção de vazamento. Os componentes intrinsecamente seguros não necessitam de ser isolados, antes de se trabalhar neles.

### 3. Reparação de componentes intrinsecamente seguros

Não deve ser aplicada nenhuma carga permanente de indução ou capacitância no circuito, sem garantir que isso não excede a tensão e a corrente permitidas para o equipamento em utilização.

Os componentes intrinsecamente seguros são os únicos em que se pode trabalhar sob tensão elétrica, na presença de uma atmosfera inflamável. O aparelho de teste deve apresentar classificação correta. Substituir os componentes apenas com peças especificadas pelo fabricante. A utilização de outras peças pode provocar a ignição do agente refrigerante na atmosfera, devido a vazamento.



### **4. Cablagem**

Verificar se a cablagem não apresenta indícios de desgaste, corrosão, pressão excessiva, vibração, extremidades afiadas ou quaisquer outros efeitos ambientais adversos. A verificação também deve tomar em consideração os efeitos do envelhecimento ou da vibração contínua, originada por fontes como, por exemplo, compressores ou ventoinhas.

### **5. Detecção de agentes refrigerantes inflamáveis**

Não devem ser utilizadas, em nenhuma circunstância, potenciais fontes de ignição para a pesquisa ou detecção de vazamento de agente refrigerante. Não deve ser utilizada nenhuma tocha de haleto (nem qualquer outros detetor que utilize chama livre).

### 6. Métodos de deteção de vazamento

Os seguintes métodos de deteção de vazamento são considerados aceitáveis para sistemas que contenham agentes refrigerantes inflamáveis. Devem ser utilizados detetores de vazamento eletrónicos para detetar refrigerantes inflamáveis, mas a sensibilidade pode não ser adequada ou pode ser necessário recalibrar. (O equipamento de deteção deve ser calibrado numa área sem refrigerante.) Certifique-se de que o detetor não é uma fonte potencial de ignição e é adequado para o refrigerante utilizado. O equipamento de deteção de vazamentos deve ser regulado para uma percentagem do LFL do agente refrigerante e deve ser calibrado para o agente refrigerante utilizado, bem como deve ser confirmada a percentagem adequada de gás (25% no máximo). Os fluidos de deteção de vazamentos são adequados para utilização com a maioria dos agentes refrigerantes, porém deve ser evitada a utilização de detergentes que incluam cloro, dado que o cloro pode reagir com o agente refrigerante e corroer a tubagem de cobre. Em caso de suspeita de vazamento, todas as chamas vivas devem ser removidas/extintas. Caso seja encontrado algum vazamento de refrigerante que necessite de soldadura forte, todo o refrigerante deverá ser removido do sistema ou isolado (através de corte) numa parte do sistema afastada do vazamento. O nitrogénio isento de oxigénio (OFN) deve então ser purgado através do sistema antes e durante o processo de soldadura forte.

### 7. Remoção e evacuação

Quando for necessário trabalhar no circuito de refrigeração para fazer reparações, ou para qualquer outro fim, devem ser utilizados procedimentos convencionais. No entanto, é importante que as melhores práticas sejam seguidas, visto a inflamabilidade ser uma possibilidade. Os seguintes procedimentos devem ser respeitados: remover o refrigerante; purgar o circuito com gás inerte; evacuar; purgar novamente com gás inerte; abrir o circuito por meio de corte ou brasagem. A carga de agente refrigerante deve ser recuperada para os cilindros de recuperação corretos. O sistema deve ser abastecido com OFN para tornar a unidade segura. Este processo pode precisar de ser repetido várias vezes. Não se deve utilizar ar ou oxigénio comprimido para esta tarefa. O abastecimento deve ser conseguido, interrompendo o vácuo no sistema com OFN e continuando a encher até que a pressão de funcionamento seja atingida, ventilando então para a atmosfera e, finalmente, arrastando para o vácuo. Este processo deverá ser repetido até que não se encontre agente refrigerante no sistema. Quando for utilizada a carga final de OFN, o sistema deve ser ventilado até ao nível de pressão atmosférica, para permitir que comece a funcionar. Esta operação é absolutamente vital se estiverem a ser realizados trabalhos de soldagem na tubagem.

Deve garantir-se que a saída da bomba de vácuo não se encontra fechada para nenhuma fonte de ignição e de que há ventilação disponível.

### 8. Procedimentos de carregamento

Para além dos procedimentos de carregamento convencionais, devem ser cumpridos os seguintes requisitos.

- Deve garantir-se que não ocorre contaminação de diferentes agentes refrigerantes ao utilizar o equipamento de carregamento. As mangueiras ou as condutas devem ser o mais curtas possível, para minimizar a quantidade de agente refrigerante contida nelas.
- Os cilindros devem ser mantidos na vertical.
- Deve garantir-se que o sistema de refrigeração se encontra ligado à terra, antes de carregar o sistema com agente refrigerante.
- Etiquetar o sistema quando o carregamento estiver concluído (caso ainda não esteja).
- Deve ser tomado extremo cuidado para não encher em excesso o sistema de refrigeração.

Antes de recarregar o sistema, deve ser efetuado teste de pressão com OFN. O sistema deve ser testado relativamente a vazamentos após conclusão do carregamento, porém antes de ser colocado em funcionamento. Deve ser executado um teste de vazamento de acompanhamento antes de abandonar o local.

### 9. Desativação

Antes de executar este procedimento, é essencial que o técnico se encontre completamente familiarizado com o equipamento e todos os respetivos detalhes. Corresponde a boa prática recomendada que todos os agentes refrigerantes sejam recuperados com segurança. Antes de realizar a tarefa, deve tirar uma amostra de óleo e de refrigerante, caso seja necessária uma análise antes de reutilizar o refrigerante recuperado. é essencial que exista abastecimento de energia elétrica antes de iniciar a tarefa.

- a) Deve familiarizar-se com o equipamento e o respetivo funcionamento.
- b) Deve isolar o sistema eletricamente.
- c) Antes de tentar o procedimento, confirme se: está disponível equipamento de manuseamento mecânico, se necessário, para manusear cilindros de refrigerante; todos os equipamentos de proteção individual estão disponíveis e a ser utilizados corretamente; o processo de recuperação é supervisionado em todos os momentos por uma pessoa competente; o equipamento de recuperação e os cilindros estão em conformidade com as normas adequadas.
- d) Bombeie o sistema de refrigeração para baixo, se possível.
- e) Se não for possível aspirar, faça um coletor para que o agente refrigerante possa ser removido de várias partes do sistema.
- f) Deve certificar-se de que o cilindro se encontra situado nas balanças, antes de iniciar o processo de recuperação.

## **1** Aviso de segurança

- g) Iniciar a máquina de recuperação e operar em conformidade com as instruções do fabricante.
- h) Não encher excessivamente os cilindros. (Não mais do que 80% da carga líquida do volume).
- i) Não exceda a pressão de funcionamento máxima, nem mesmo temporariamente.
- j) Quando os cilindros tiverem sido corretamente cheios e o processo estiver concluído, deve certificar-se de que os cilindros e o equipamento são removidos do local, de imediato, e de que todas as válvulas de isolamento se encontram fechadas, no equipamento.
- k) O agente refrigerante recuperado não deve ser carregado para outro sistema de refrigeração, exceto se tiver sido limpo e verificado.

### **10. Etiquetagem**

O equipamento deve ter uma etiqueta a indicar que foi desativado e purgado de refrigerante. A etiqueta deve ser datada e assinada.

Deve certificar-se de que há etiquetas que indicam que o equipamento contém refrigerante inflamável.

### 11. Recuperação

Ao remover agente refrigerante de um sistema, quer seja por motivos de manutenção ou desativação, é boa prática recomendada que todos os agentes refrigerantes sejam removidos com segurança. Ao transferir refrigerante para os cilindros, deve garantir-se que apenas são utilizados cilindros de recuperação de refrigerante adequados. Certifique-se de que está disponível o número correto de cilindros para suportar a carga total do sistema. Todos os cilindros a serem utilizados são designados pelo refrigerante recuperado e etiquetados para esse refrigerante (ou seja, cilindros específicos para recuperação de refrigerante). Os cilindros devem possuir válvulas de descompressão e as respetivas válvulas de corte, em boas condições de funcionamento. Os cilindros de recuperação vazios devem ser evacuados e, se possível arrefecidos antes de proceder à recuperação. O equipamento de recuperação deve estar em boas condições de funcionamento, inclusivamente com um conjunto de instruções relativas ao equipamento acessível, devem ser adequado para a recuperação de agentes refrigerantes inflamáveis. Adicionalmente, deve encontrar-se disponível um conjunto de balanças calibradas e em bom estado de funcionamento. As mangueiras devem incluir acoplamentos de desligar, isentos de vazamentos, em bom estado. Antes de utilizar a máquina de recuperação, deve verificar-se se se encontra em estado satisfatório de funcionamento, se os serviços de manutenção foram bem executados e se quaisquer componentes elétricos associados se encontram vedados, para impedir ignição na eventualidade de libertação de agente refrigerante. Em caso de dúvida, contactar o fabricante.

## 1 Aviso de segurança

O agente refrigerante recuperado deve ser devolvido ao fornecedor de agentes refrigerantes, no cilindro de recuperação correto, incluindo a respetiva Nota de transferência de resíduos. Não misturar agentes refrigerantes em unidades de recuperação, nem, especialmente, em cilindros.

Caso os compressores ou os óleos do compressor tenham de ser removidos, deve assegurar-se de que foram evacuados até um nível aceitável, para garantir que o agente refrigerante inflamável não permanece misturado com o lubrificante. O processo de evacuação deve ser realizado antes de devolver o compressor aos fornecedores. Só deve ser utilizado aquecimento elétrico no corpo do compressor para acelerar este processo. Quando o óleo é drenado de um sistema, deve ser realizado em segurança.

### **Nota acerca de gases fluorados:**

- Os gases fluorados com efeito de estufa são contidos em equipamento selado hermeticamente. Para informação específica sobre o tipo, a quantidade e o CO<sub>2</sub> equivalente em toneladas de gás fluorado com efeito de estufa (em alguns modelos), consulte a etiqueta relevante na própria unidade.
- A instalação, serviços, manutenção e reparação desta unidade devem ser executados por técnico certificado.
- A desinstalação do produto e a reciclagem devem ser executadas por técnico certificado.





### Competência do pessoal de assistência técnica

#### Geral

É necessária formação especial adicional aos procedimentos usuais de reparação de equipamentos de refrigeração quando são afetados equipamentos com agentes refrigerantes inflamáveis.

Em muitos países, esta formação é realizada por organizações nacionais de formação, que são credenciadas para ensinar os padrões de competência nacional relevantes que podem encontrar-se definidos na legislação.

A competência obtida deve ser documentada por um certificado.

#### Formação

A formação deve incluir o seguinte:

Informação sobre o potencial explosivo dos refrigerantes inflamáveis, para mostrar que os produtos inflamáveis podem ser perigosos quando manuseados sem cuidado.

Informação sobre potenciais fontes de ignição, especialmente as menos óbvias, como isqueiros, interruptores de luz, aspiradores e aquecedores elétricos.

Informação sobre os diferentes termos de segurança:

Sem ventilação – (ver Cláusula GG.2) A segurança do aparelho não depende da ventilação da caixa. Desligar o aparelho ou abrir a caixa não tem um efeito significativo na segurança. Ainda assim é possível que o refrigerante vazado se acumule dentro do invólucro e que gás inflamável seja libertado quando o invólucro for aberto.

## 1 Aviso de segurança

Invólucro ventilado - (ver Cláusula GG.4) A segurança do aparelho depende da ventilação da caixa. Desligar o aparelho ou abrir o invólucro tem um efeito significativo na segurança. Deve haver o cuidado de garantir antes se há ventilação suficiente.

Divisão ventilada - (ver Cláusula GG.5) A segurança do aparelho depende da ventilação da divisão. Desligar o aparelho ou abrir a caixa não tem um efeito significativo na segurança. A ventilação da divisão não será desligada durante procedimentos de reparação.

Informação sobre o conceito de componentes selados e invólucros selados de acordo com a CEI 60079-15:2010.

Informação sobre os procedimentos de trabalho corretos:

### a) Colocação em funcionamento

- Certifique-se de que a área útil é suficiente para a carga de refrigerante ou se a conduta de ventilação está montada de maneira correta.
- Ligue os tubos e realize um teste de vazamento antes de carregar o refrigerante.
- Verifique o equipamento de segurança antes de colocar em serviço.

### b) Manutenção

- O equipamento local deve ser reparado no exterior ou numa oficina equipada especialmente para a manutenção de aparelhos com refrigerantes inflamáveis.
- Certifique-se de que há ventilação suficiente no local da reparação.

## 1 Aviso de segurança

- Atenção que o mau funcionamento do equipamento pode ser causado pela perda de refrigerante, é possível que haja um vazamento de refrigerante.
- Proceda à descarga de condensadores de maneira a não provocar uma faísca. O procedimento normalizado para o curto-circuito dos terminais do condensador normalmente produz faíscas.
- Volte a montar corretamente invólucros selados. Se os vedantes estiverem gastos, substitua-os.
- Verifique o equipamento de segurança antes de colocar em serviço.

### c) Reparação

- O equipamento local deve ser reparado no exterior ou numa oficina equipada especialmente para a manutenção de aparelhos com refrigerantes inflamáveis.
- Certifique-se de que há ventilação suficiente no local da reparação.
- Atenção que o mau funcionamento do equipamento pode ser causado pela perda de refrigerante, é possível que haja um vazamento de refrigerante.
- Proceda à descarga de condensadores de maneira a não provocar uma faísca.
- Quando é necessária a brasagem, os procedimentos a seguir devem ser realizados na ordem correta:

## 1 Aviso de segurança

- Remover o agente refrigerante. Se a recuperação não for exigida pela legislação nacional, drene o refrigerante para o exterior. Tenha cuidado para que o refrigerante drenado não cause qualquer perigo. Em caso de dúvida, uma pessoa deve vigiar a saída. Tenha especial cuidado para o refrigerante drenado não voltar a entrar no edifício.
  - Esvazie o circuito do refrigerante.
  - Purgue o circuito do refrigerante com nitrogénio durante 5 min.
  - Esvazie novamente.
  - Remova as peças a serem substituídas por meio de corte e não de chama.
  - Purgue o ponto de brasagem com nitrogénio durante o procedimento de brasagem.
  - Realize um teste de vazamento antes de carregar o refrigerante.
  - Volte a montar corretamente invólucros selados. Se os vedantes estiverem gastos, substitua-os.
  - Verifique o equipamento de segurança antes de colocar em serviço.
- d) Desativação
- Se a segurança for afetada quando o aparelho é colocado fora de serviço, a carga de refrigerante deve ser removida antes de proceder ao seu desmantelamento.
  - Certifique-se de que há ventilação suficiente no local do equipamento.
  - Atenção que o mau funcionamento do equipamento pode ser causado pela perda de refrigerante, é possível que haja um vazamento de refrigerante.

## 1 Aviso de segurança

- Proceda à descarga de condensadores de maneira a não provocar uma faísca.
- Remover o agente refrigerante. Se a recuperação não for exigida pela legislação nacional, drene o refrigerante para o exterior. Tenha cuidado para que o refrigerante drenado não cause qualquer perigo. Em caso de dúvida, uma pessoa deve vigiar a saída. Tenha especial cuidado para o refrigerante drenado não voltar a entrar no edifício.
- Esvazie o circuito do refrigerante.
- Purgue o circuito do refrigerante com nitrogénio durante 5 min.
- Esvazie novamente.
- Encha com nitrogénio até à pressão atmosférica.
- Coloque uma etiqueta no equipamento a indicar que o refrigerante foi removido.

### e) Eliminação

- Certifique-se de que há ventilação suficiente no local de trabalho.
- Remover o agente refrigerante. Se a recuperação não for exigida pela legislação nacional, drene o refrigerante para o exterior. Tenha cuidado para que o refrigerante drenado não cause qualquer perigo. Em caso de dúvida, uma pessoa deve vigiar a saída. Tenha especial cuidado para o refrigerante drenado não voltar a entrar no edifício.
- Esvazie o circuito do refrigerante.
- Purgue o circuito do refrigerante com nitrogénio durante 5 min.
- Esvazie novamente.
- Corte o compressor e drene o óleo.

## **1** Aviso de segurança

### **Transporte, marcação e armazenamento de unidades que empregam refrigerantes inflamáveis**

#### **Transporte de equipamento que contém agentes refrigerantes inflamáveis**

Chama-se a atenção para o facto de poder haver regulamentações de transporte adicionais no que diz respeito a aparelhos que contenham gás inflamável. O número máximo de peças de equipamento ou a configuração do equipamento que é possível transportar em conjunto são determinados pelos regulamentos de transporte aplicáveis.

#### **Marcação do equipamento, utilizando sinais**

A sinalização de aparelhos similares utilizados numa área de trabalho é abordada geralmente pelos regulamentos locais e apresenta os requisitos mínimos para o fornecimento de sinalização de segurança e/ou saúde para um local de trabalho.

Toda a sinalização obrigatória deve ser mantida e os empregadores devem garantir que os funcionários recebem informação e formação adequada e suficiente sobre o significado dos sinais de segurança apropriados e as ações a levar a cabo em associação a estes sinais.

A eficácia dos sinais não deve ser diminuída por demasiados sinais juntos.

Qualquer pictograma utilizado deve ser o mais simples possível e conter apenas os detalhes essenciais.

#### **Eliminação de equipamento que contém agentes refrigerantes inflamáveis**

Consulte a regulamentação nacional.

## **1** Aviso de segurança

---

### **Armazenamento de equipamento/aparelhos**

O armazenamento de equipamento deve ser realizado em conformidade com as instruções do fabricante.

Armazenamento de equipamento embalado (não vendido)

A proteção da embalagem para armazenamento deve ser construída de forma a que qualquer dano mecânico no equipamento, dentro da embalagem, não provoque nenhum vazamento da carga refrigerante.

O número máximo de peças de equipamento permitido em armazenamento conjunto, será determinado pelos regulamentos locais.

## 2 Nome das peças

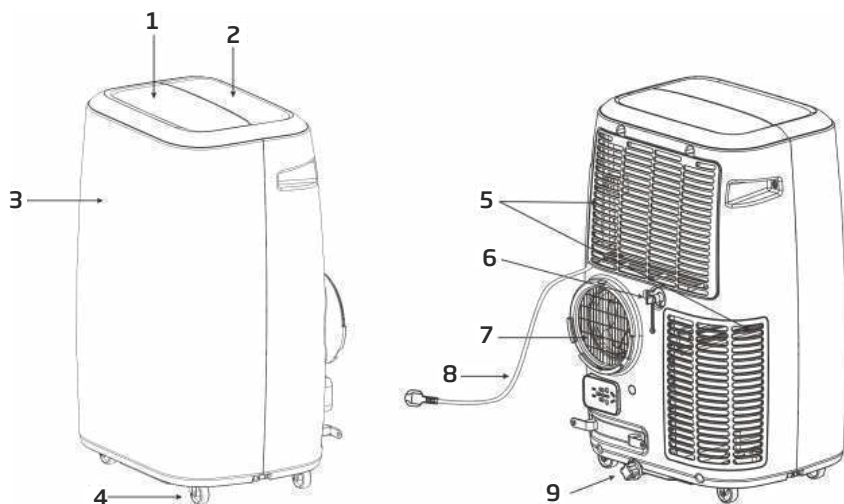













Fig.1

1	Aletas	5	Entrada de ar
2	Painel de controlo	6	Saída de drenagem
3	Painel dianteiro	7	Saída de ar
4	Rodízio	8	Cabo de alimentação
		9	Saída de drenagem



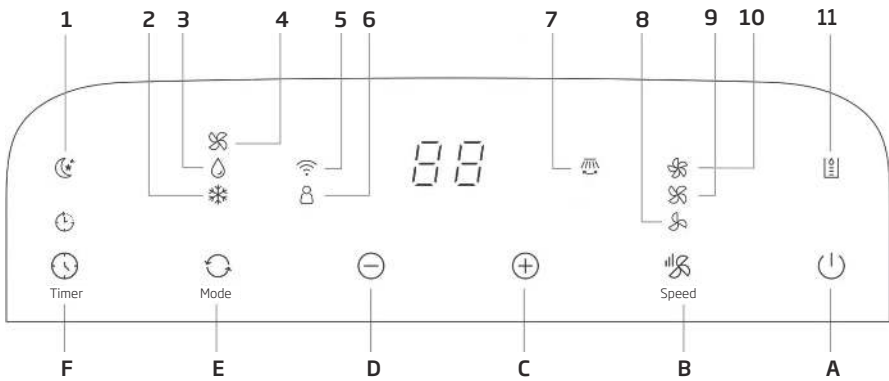
### 3 Acessórios

Peça	Descrição	Quantidade
	Mangueira de exaustão	1
	Conector de janela	1
	Adaptador da caixa	1
	Controlo remoto	1
	Kit de janela	1
	Pino	1
	Kit de tecido de janela	1 (opcional)
	Fita de rolo	1 (opcional)
	Saída de ar	1
	Tubo de água	1
	Pilhas	2

Depois de desembalar, verifique se os acessórios mencionados acima estão incluídos e verifique a sua finalidade na introdução da instalação neste manual.

## 4 Aparência e função do painel de controlo

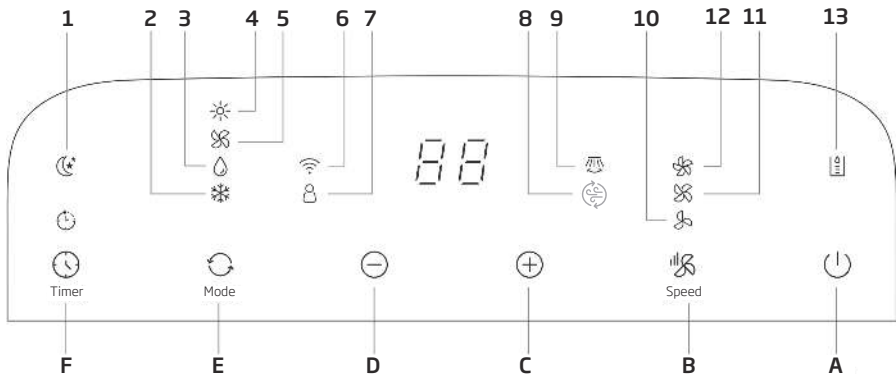
### 4.1 Apenas no modelo de arrefecimento (não reversível)



A	Ligar/desligar a energia	4	Ventoinha
B	Velocidade da ventoinha	5	Função sem fios
C	Aumentar a temperatura	6	Zone Follow (Seguir zona)
D	Diminuir a temperatura	7	Oscilação automática
E	Modo Funcionamento	8	Velocidade da ventoinha baixa
F	Ligar/desligar o temporizador	9	Velocidade da ventoinha média
1	Modo Sono	10	Velocidade da ventoinha alta
2	Arrefecimento	11	Depósito cheio
3	Desumidificação		

## 4 Aparência e função do painel de controlo

### 4.2 Modelo de arrefecimento e bomba de calor (reversível)



A	Ligar/desligar a energia	4	Aquecimento
B	Velocidade da ventoinha	5	Ventoinha
C	Aumentar a temperatura	6	Função sem fios
D	Diminuir a temperatura	7	Zone Follow (Seguir zona)
E	Modo Funcionamento	8	Indicador de filtro HEPA 13 (presente apenas no BP113H)
F	Ligar/desligar o temporizador	9	Oscilação automática
		10	Velocidade da ventoinha baixa
1	Modo Sono	11	Velocidade da ventoinha média
2	Arrefecimento	12	Velocidade da ventoinha alta
3	Desumidificação	13	Depósito cheio

São recomendadas 1080 horas para a utilização do filtro HEPA.

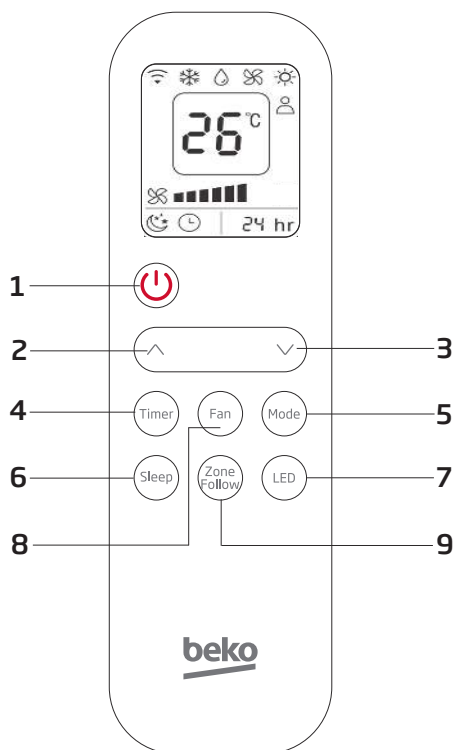
1. Quando o tempo acumulado do sensor de purificação é ligado para as 1080 horas, "Indicador de filtro HEPA 13" começa a piscar para alertar para a substituição de um novo filtro HEPA.
2. Reinicializar: Depois de substituir o filtro HEPA, prima longamente o botão TIMER (Temporizador) durante 5 segundos para confirmar a reinicialização. Neste momento, "Indicador de filtro HEPA 13" deixa de piscar e o tempo é reiniciado novamente.

#### Nota:



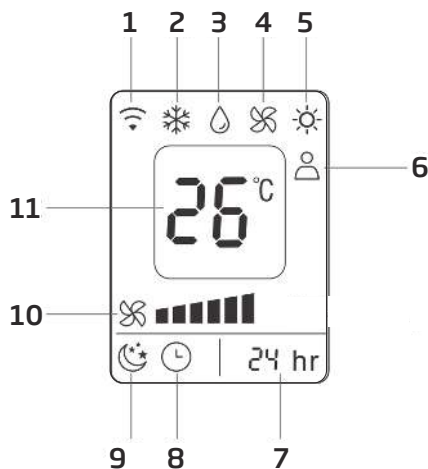
- Guarde o filtro HEPA 13 bem acondicionado quando não o utilizar no aparelho. Caso contrário, a vida útil do filtro será afetada e o tempo de utilização será encurtado.
- Quando o filtro HEPA 13 é retirado do produto/embalagem por 1 ano ou mais, recomendamos a sua substituição por um novo filtro HEPA 13 para proporcionar uma melhor limpeza do ar.
- As horas de funcionamento dependem do tamanho da divisão, da qualidade do ar ambiente, etc.

## 5 Aparência e função do controlo remoto



1. Ligar/desligar a energia
2. Aumentar a temperatura
3. Diminuir a temperatura
4. Ligar/desligar o temporizador
5. Modo Funcionamento
6. Modo Sono
7. Ecrã de LED
8. Velocidade da ventoinha
9. Zone Follow (Seguir zona)

## 5 Aparência e função do controlo remoto



- |                              |                                  |
|------------------------------|----------------------------------|
| 1. Sinal do recetor          | 7. Temporização                  |
| 2. Arrefecimento             | 8. Ligar/desligar o temporizador |
| 3. Desumidificação           | 9. Modo Sono                     |
| 4. Ventoinha                 | 10. Velocidade da ventoinha      |
| 5. Aquecimento               | 11. Exibição de temperatura      |
| 6. Zone Follow (Seguir zona) |                                  |



### Nota:

- Não deixe cair o controlo remoto.
- Não coloque o controlo remoto num local exposto à luz solar direta.

## 6 Introdução de operação

Antes de iniciar as operações nesta secção:

1. Encontre um local onde haja por perto energia eléctrica.
2. Instale a mangueira de exaustão e ajuste bem a posição da janela, conforme indicado na Fig. 5 e Fig. 5a.

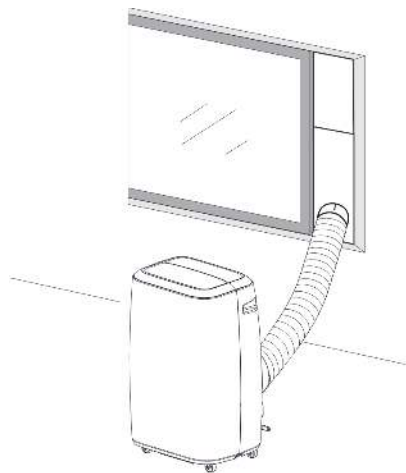


Fig. 5

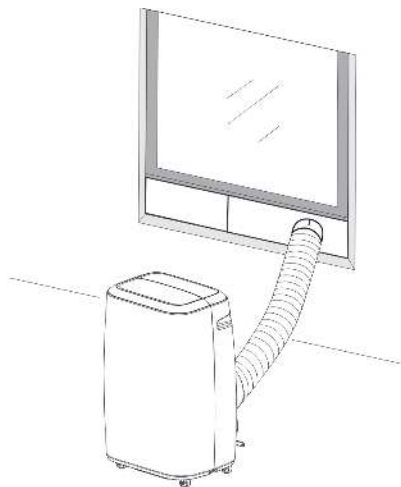


Fig. 5a

3. Ligue bem a mangueira de drenagem (apenas para o modelo de aquecimento);
4. Insira o cabo de alimentação numa tomada CA 220~240V/50Hz ligada à terra;
5. Prima o botão Power (Energia) para ligar o ar-condicionado.

### 6.1 Antes de utilizar

**Aviso:**

- **Faixa de temperatura de funcionamento:**

	Arrefecimento máximo	Arrefecimento mínimo
DB/WB(°C)	35/24	18/12

	Aquecimento máximo	Aquecimento mínimo
DB/WB(°C)	27/---	7/---

## 6 Introdução de operação

Verifique se a mangueira de exaustão foi montada corretamente.

Precauções a ter para as operações de arrefecimento e desumidificação:

- Quando utilizar funções nos modos de arrefecimento e desumidificação, mantenha um intervalo de pelo menos 3 minutos entre cada operação de Ligar/Desligar.
- A fonte de alimentação cumpre os requisitos.
- A tomada é indicada para a utilização de corrente alternada.
- Não partilhe uma tomada com outros aparelhos.
- A fonte de alimentação é CA220--240V, 50Hz

### 6.2 Operação de arrefecimento

- Prima o botão "Mode" (Modo) até aparecer o ícone "Cool" (Frio).
- Prima o botão "Down" (Diminuir) ou "Up" (Aumentar) para selecionar a temperatura ambiente pretendida. (16°C-31°C)
- Prima o botão "Wind" (Ventoinha) para selecionar a velocidade da ventoinha.

### 6.3 Operação de desumidificação

- Prima o botão "Mode" (Modo) até aparecer o ícone "Dehumidify" (Desumidificar).
- Regula automaticamente a temperatura selecionada para a temperatura ambiente atual, menos 2°C. (16°C-31°C)
- Regula automaticamente o motor da ventoinha para a Velocidade baixa.

### 6.4 Operação em modo Fan (Ventoinha)

- Prima o botão "Mode" (Modo) até aparecer o ícone "Fan" (Ventoinha).
- Prima o botão "Wind" (Ventoinha) para selecionar a velocidade da ventoinha.

### 6.5 Operação de aquecimento (esta função não está disponível para as unidades apenas de frio- )

- Prima o botão "Mode" (Modo) até aparecer o ícone "Heat" (Calor).
- Prima o botão "Down" (Diminuir) ou "Up" (Aumentar) para selecionar a temperatura ambiente pretendida. (16°C-31°C)
- Prima o botão "Wind" (Ventoinha) para selecionar a velocidade da ventoinha.

## 6 Introdução de operação

### 6.6 Funcionamento Timer (Temporizador)

Definir o Timer On (Temporizador ligado):

- Quando o ar-condicionado está Off (Desligado) prima o botão "Timer" (Temporizador) e seleccione a hora de ligar pretendida através dos botões de definição de temperatura e tempo.
- "Preset Off Time" (Tempo de desligar predefinido) aparece no painel de operação, após definir o tempo de 5 segundos, 'set temperature' (temperatura definida) aparece em ambos os visores.
- O tempo de ligar pode ser regulado para qualquer hora entre 0 e 24 horas.

Definir o Timer Off (Temporizador desligado):

- Quando o ar-condicionado está On (Ligado), prima o botão "Timer" (Temporizador) e seleccione a hora de desligar pretendida através dos botões de definição de temperatura e tempo.
- "Preset Off Time" (Tempo de desligar predefinido) aparece no painel de operação.
- O tempo de desligar pode ser regulado para qualquer hora entre 0 e 24 horas.

### 6.7 Oscilação automática

- Esta função só pode ser realizada através da aplicação Homewhiz.

### 6.8 Modo Sleep (Sono)

- No modo de cooling (arrefecimento), prima a tecla Sleep (Sono) para definir a temperatura. Esta aumenta 1°C após uma hora e aumenta, no máximo, 2°C após 2 horas.
- No modo de aquecimento, prima a tecla Sleep (Sono) para definir a temperatura. Esta diminui 1°C após uma hora e diminui, no máximo, 2°C após 2 horas.
- Prima novamente a tecla Sleep (Noturno) para cancelar a definição.

### 6.9 Drenagem de água

Alarme de depósito cheio

- O depósito de água interno no interior do ar-condicionado tem um interruptor de segurança de nível de água, que controla o nível da água. Quando o nível de água atinge uma altura esperada, a luz indicadora de depósito de água cheio acende-se. (Se a bomba de água estiver danificada quando o depósito está cheio de água, remova a tampa de borracha na parte inferior do aparelho e toda a água é drenada para o exterior.)



## 6 Introdução de operação

### Drenagem contínua

- Quando planejar não utilizar o aparelho por um período longo, remova a borracha de bloqueio do orifício de drenagem no fundo do aparelho e ligue uma mangueira de drenagem ao fixador inferior. Toda a água no depósito de água será drenada para o exterior.
- Pode drenar a água, como descrito acima, quando o aparelho funcionar nos modos de aquecimento e desumidificação.
- Se a bomba de água estiver danificada, pode utilizar a drenagem contínua e, nesta situação, a bomba de água não é ativada. A unidade também pode funcionar bem.  
Se a bomba de água estiver danificada, também é possível utilizar uma drenagem intermitente. Nesta situação, quando a luz indicadora de nível de água se acender, ligue uma mangueira de drenagem ao fixador inferior e toda a água no depósito de água será escoada para o exterior. A unidade também pode funcionar bem.

### 6.10 Função sem fios

- Prima longamente o botão Speed (Velocidade) durante 5 segundos e entrará no modo de configuração de fábrica sem fios;
- O aparelho está ligado sem fios, se o indicador sem fios estiver aceso, caso contrário não está ligado. Quando o indicador sem fios pisca lentamente, o aparelho encontra-se no modo de configuração sem fios; se pisca rapidamente, o aparelho está ligado sem fios;
- Pode realizar a maior parte das funções do ar-condicionado através da aplicação móvel (HomeWhiz) com o wireless ligado.

### 6.11 Função Zone follow (Seguir zona)

- Pode ligar ou desligar a função Zone follow (Seguir zona) através do controlo remoto;
- Quando esta função está ligada, o aparelho controla a temperatura ambiente através do sensor de temperatura no controlo remoto (o sensor de temperatura ambiente no interior do aparelho deixa de funcionar);
- Esta função estará desligada se a unidade não receber o sinal do controlador remoto no espaço de 30 minutos. Mudará para o sensor de temperatura ambiente normal no interior da unidade para controlar a temperatura.

## 7 Esclarecimentos sobre a instalação

### 7.1 Esclarecimentos sobre a instalação:

- O aparelho deve ser instalado num local plano e com espaço suficiente à volta. Não bloqueie a saída de ar e mantenha uma distância mínima de 30 cm à sua volta. (Ver Fig. 8)
- Não deve ser instalado em locais húmidos, tais como lavanderias.
- A ligação da tomada deve estar em conformidade com os requisitos locais em matéria de segurança elétrica.

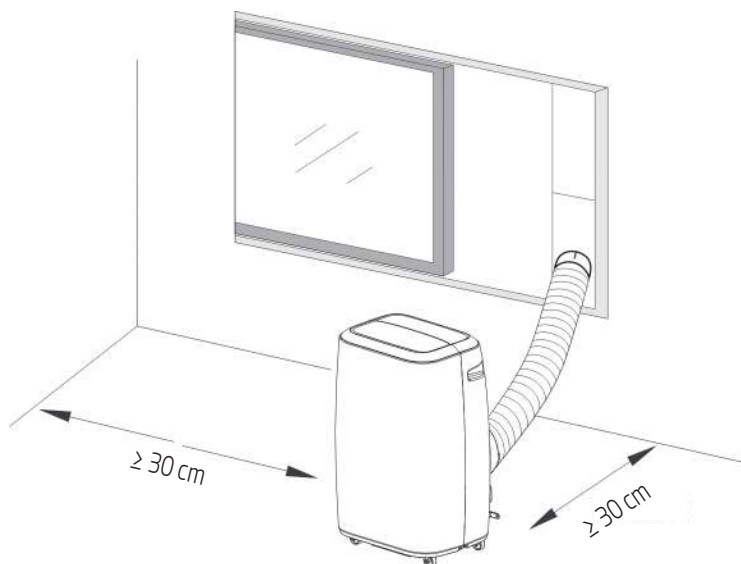


Fig. 8

## 7 Esclarecimentos sobre a instalação

### 7.2 Introdução à instalação da mangueira de exaustão

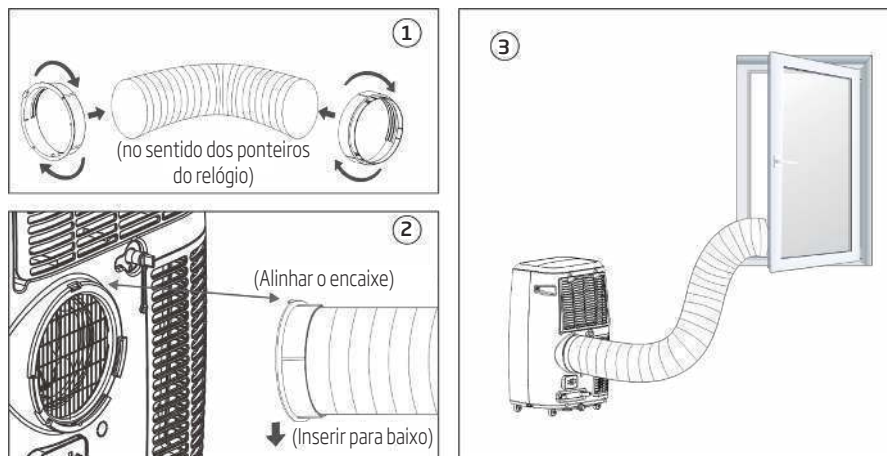


Fig. 9

#### Instalação temporária

1. Insira ambas as extremidades da mangueira de exaustão no fixador quadrado e no fixador plano.
2. Insira o fixador quadrado nas aberturas na parte traseira do aparelho de ar-condicionado (ver Fig. 9).
3. Coloque a outra extremidade da mangueira de exaustão no parapeito da janela.

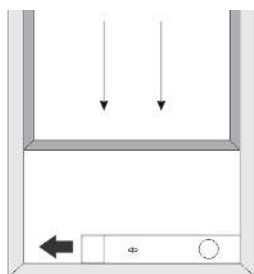
#### Instalação do kit de janela deslizante

A forma de instalação do kit de janela deslizante é principalmente na "horizontal" e na "vertical". Verifique o tamanho mín. e máx. da janela, como se pode ver na Fig. 10 e Fig. 10a, antes de proceder à instalação.

1. Instale o kit de janela na janela (Fig. 10, Fig. 10a);
2. Ajuste o comprimento do kit de janela deslizante de acordo com a largura ou a altura da janela e fixe-o com o pino;
3. Insira a mangueira de ligação da janela no orifício do kit de janela.

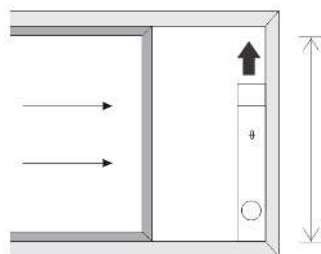
## 7 Esclarecimentos sobre a instalação

①



Largura da janela  
mín: 67,5 cm  
máx: 123 cm

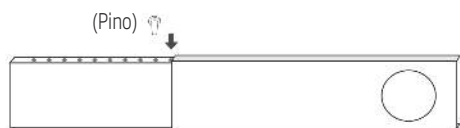
Fig. 10



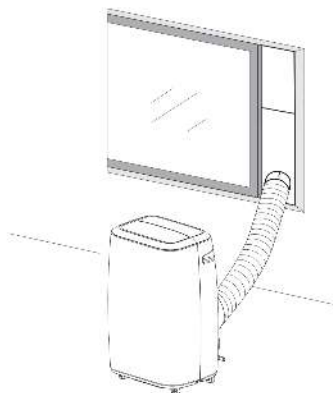
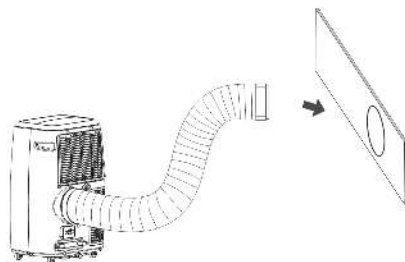
Altura da janela  
mín: 67,5 cm  
máx: 123 cm

Fig. 10a

②



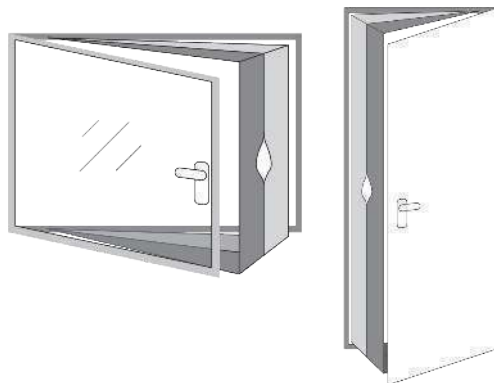
③



## 7 Esclarecimentos sobre a instalação

### 7.3 Acessório de kit de calafetagem universal para aparelhos de ar-condicionado móveis (opcional)

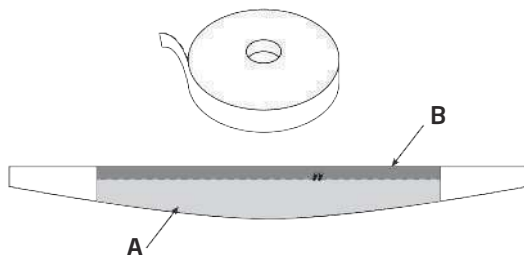
Indicado para janelas e portas



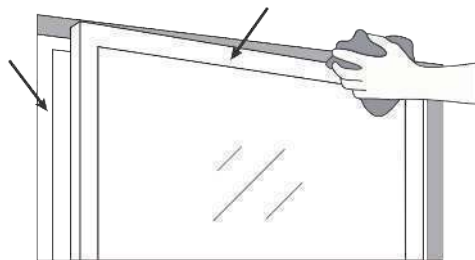
**Incluído neste kit:**

1 peça de tecido (4 m)

1 rolo de fita adesiva aderente (9 m)

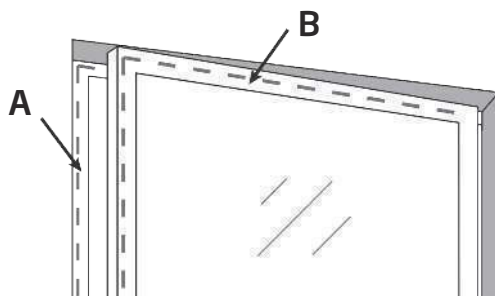


1. Abra a janela e limpe as portadas e a caixilharia antes de colar a fita adesiva.

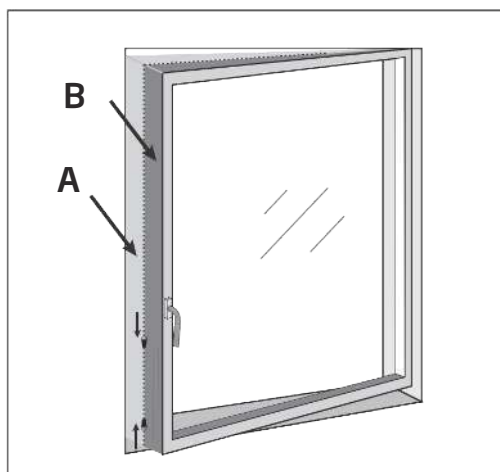


## 7 Esclarecimentos sobre a instalação

2. Corte tiras grandes de fita adesiva aderente com as dimensões da janela. Cole-as no caixilho da janela e depois faça o mesmo na superfície interior do batente da janela (na lateral do puxador).

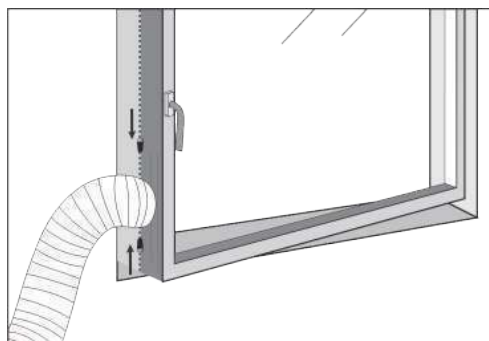


3. Cole o lado mais largo (A) da peça de tecido branco grande no caixilho da janela e, em seguida, cole o lado mais estreito (B) na folha da janela (do lado do puxador) a partir do centro, depois para cima e finalmente para baixo.



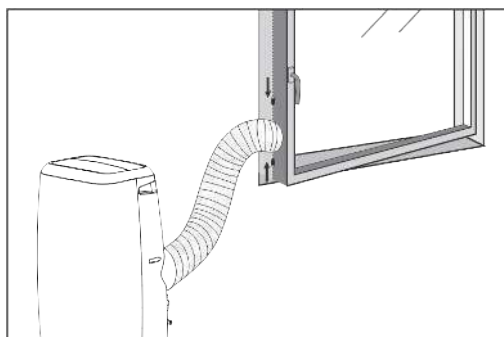
4. Feche a janela e certifique-se de que a peça de tecido branco grande não fica presa nas costuras do fecho e que a janela fecha sempre corretamente, mesmo com a fita adesiva.
5. Abra cuidadosamente a janela e abra o fecho de correr do tecido (ao nível do fundo ou a meio da janela), em seguida, insira a conduta de exaustão na abertura. Reajuste o fecho de correr para fixar a conduta de extração, de modo a não haver nenhuma troca de ar entre o interior e o exterior.

## 7 Esclarecimentos sobre a instalação



6. O seu kit de calafetagem já está instalado; agora pode ligar e saborear a frescura do seu aparelho de ar-condicionado!

Se quiser deixar de utilizar o seu ar-condicionado móvel e fechar a janela, basta retirar a bainha do fecho e fechar a janela, certificando-se de que o tecido não fica preso nas juntas do fecho.



### Nota:



Se tiver uma janela de duas folhas com abertura francesa: Bloqueie a primeira folha com o puxador e instale o kit de calafetagem na segunda folha (sem o puxador).

Antes da instalação, verifique se a fita adesiva não danifica a sua janela.

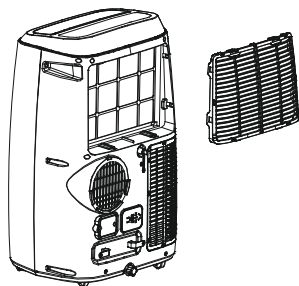
## 7 Esclarecimentos sobre a instalação

### 7.4 Utilize o filtro Hepa 13 (apenas para o modelo BP113H)

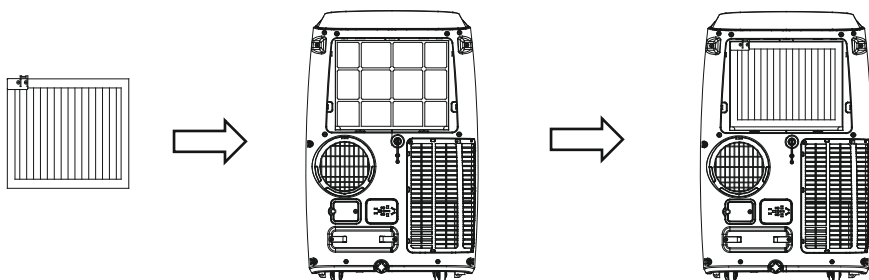
1. Ao colocar o filtro Hepa 13, o indicador de fresco acende-se.
2. Na função de purificação do ar, as funções de arrefecimento e desumidificação estão desativadas.
3. Se necessitar das funções de arrefecimento e desumidificação, deverá desligar o filtro Hepa 13.

Como colocar o filtro Hepa 13

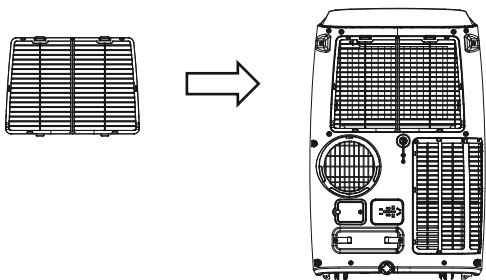
1. Retire o filtro do aparelho.



2. Coloque o filtro Hepa 13.



3. Coloque o filtro do aparelho.

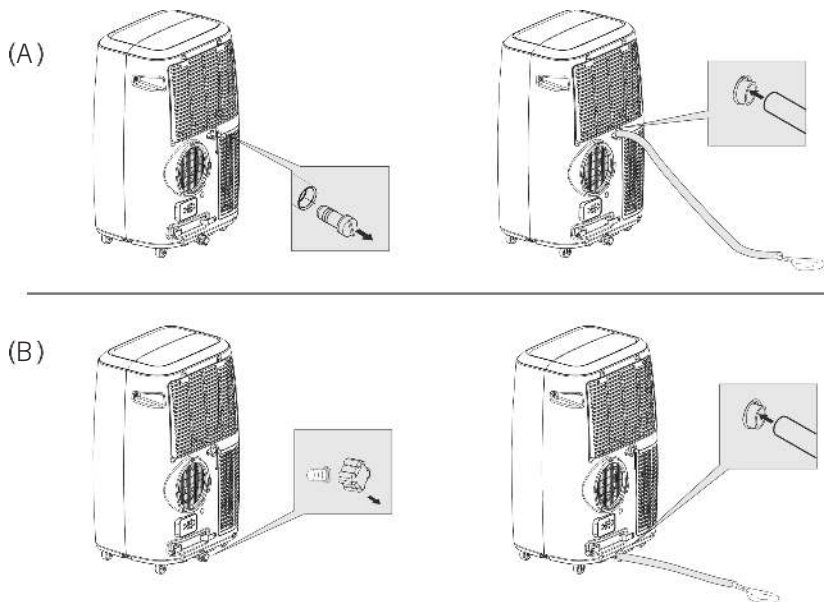




## 7 Esclarecimentos sobre a instalação

### 7.5 Alarme de depósito cheio

O depósito de água interno no interior do ar-condicionado tem um interruptor de segurança de nível de água, que controla o nível da água. Quando o nível de água atinge uma altura esperada, a luz indicadora de depósito de água cheio acende-se. (Se a bomba de água estiver danificada quando o depósito está cheio de água, remova a tampa de borracha na parte inferior do aparelho e toda a água é drenada para o exterior.)



O orifício (A), que se encontra no topo, deve ser utilizado para extrair a água do ar-condicionado móvel (retire o bujão de borracha e insira a mangueira de drenagem no orifício) quando há muita humidade no local (em drenagem contínua) ou quando o aparelho está a funcionar nos modos de desumidificação ou aquecimento.

O orifício (B), que se encontra no fundo, tem um recipiente e deve ser utilizado quando é necessário esvaziar o depósito (alarme do depósito de água). Simplesmente remova a tampa de borracha e insira a mangueira de drenagem no orifício para drenar a água do depósito.

#### Nota:

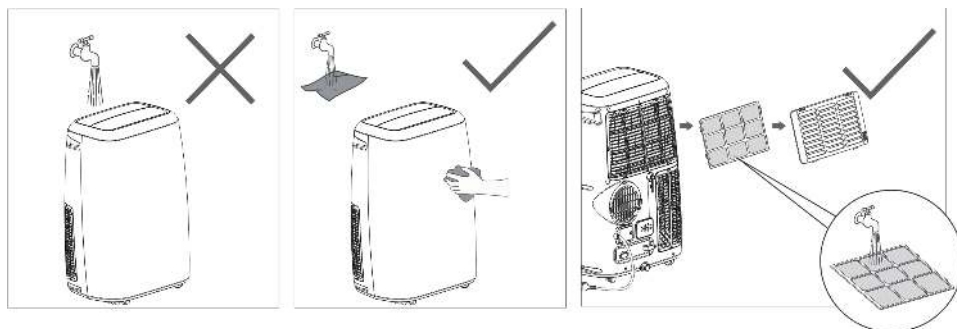


Atenção, dependendo do volume de água no depósito, por vezes, poderá haver muita água para esvaziar. O ideal seria esvaziá-lo no exterior ou numa bacia grande para evitar inundar a divisão.

## 8 Instruções de manutenção

### Advertência:

- Desligue sempre o aparelho da corrente antes de proceder à sua limpeza ou manutenção.
- Não utilize líquidos inflamáveis ou produtos químicos para limpar o aparelho.
- Não lave o aparelho em água corrente. Fazê-lo representa um perigo elétrico.
- Não utilize o aparelho se a fonte de alimentação for danificada durante a limpeza. Um cabo de alimentação danificado deve ser substituído por um cabo novo do fabricante.
- Se o ar-condicionado estiver danificado, entre em contacto com o revendedor ou uma loja de reparações.



### 8.1 Limpeza do filtro de ar

- Se o filtro de ar ficar entupido com pó/sujidade, o filtro de ar deve ser limpo uma vez a cada duas semanas.
- Desmontagem  
Abra a grelha da entrada de ar e retire o filtro de ar.
- Limpeza  
Limpe o filtro de ar com o detergente neutro em água morna (40°C) e seque-o à sombra.
- Montagem  
Coloque o filtro de ar na grelha da entrada e volte a colocar os componentes como estavam.

## 8 Instruções de manutenção



### **Advertência:**

Não utilize o aparelho sem o filtro porque a sujeira irá entupi-lo e reduzir o desempenho.

### **8.2 Limpe a superfície do aparelho de ar-condicionado**

Primeiro limpe a superfície com um detergente neutro e um pano húmido e, em seguida, limpe-o com um pano seco.

## 9 Manutenção

### Dicas de manutenção

Certifique-se de limpar o filtro de ar a cada 2 semanas para conseguir o desempenho ideal.

O recipiente de recolha de água deve ser escoado imediatamente a seguir à ocorrência do erro P1 e antes de guardar para impedir o aparecimento de bolor.

Em casas com animais de estimação, é necessário limpar periodicamente a grelha para impedir o bloqueio do fluxo de ar devido ao pelo dos mesmos.

### Limpar o aparelho

Limpe o aparelho com um pano húmido, que não largue pelo e um detergente suave. Seque o aparelho com um pano seco, que não largue pelo.

### Guardar o aparelho quando não é utilizado

Escoe o recipiente de recolha de água de acordo com as instruções na secção seguinte.

Coloque o aparelho a funcionar no modo Fan (Ventoinha) durante 12 horas numa divisão quente para a secar e impedir o aparecimento de bolor.

Desligue o aparelho e retire a ficha da tomada.

Limpe o filtro de ar de acordo com as instruções na secção anterior. Reinstale o filtro de ar limpo antes de armazenar.

Remova as pilhas do controlo remoto.

Guarde o aparelho num local fresco e escuro. A exposição à luz solar direta ou ao calor extremo pode encurtar a vida útil do aparelho.



**Nota:** A frente do aparelho pode ser limpa com um pano sem óleo ou lavada com um pano humedecido numa solução de água quente e detergente da louça suave. Enxagúe bem e limpe para secar. Nunca utilize produtos abrasivos, cera ou de polir na frente do aparelho. Tenha o cuidado de tirar o excesso de água do pano antes de limpar à volta dos controlos. O excesso de água nos controlos, ou à volta dos controlos, pode danificar o aparelho.

## 10 Solução de problemas

Problemas	Causas possíveis	Soluções sugeridas
1. O aparelho não funciona ao premir o botão on/off (ligar/desligar)	- A luz indicadora de depósito cheio pisca, a indicar que o depósito de água está cheio.	Despeje a água do depósito de água.
	- A temperatura ambiente é superior à temperatura definida. (Modo de Heating (aquecimento))	Redefina a temperatura
	- A temperatura ambiente é inferior à temperatura definida. (Modo de Cooling (arrefecimento))	Redefina a temperatura
2. Não está suficientemente frio	- As portas ou janelas não estão fechadas.	Certifique-se de que todas as janelas e portas estão fechadas.
	- Existem fontes de calor no interior da divisão.	Remova as fontes de calor, se possível.
	- A mangueira de exaustão não está ligada ou está bloqueada.	Ligue ou limpe a mangueira de exaustão de ar.
	- A temperatura definida está muito alta.	Redefina a temperatura
	- A entrada de ar está bloqueada.	Limpe a entrada de ar.
3. Ruidoso	- O piso não está nivelado ou não é suficientemente plano	Coloque o aparelho num piso plano e nivelado, se possível.
	- O som vem da circulação do refrigerante no interior do aparelho de ar-condicionado.	Isto é normal.
4. Código E0	Falha do sensor de temperatura ambiente	Substitua o sensor de temperatura ambiente (o aparelho também pode funcionar sem ser substituído.)
5. Código E1	Falha do sensor de temperatura do condensador	Substitua o sensor de temperatura do condensador
6. Código E2	Depósito de água cheio durante o arrefecimento	Tire o bujão de borracha e esvazie a água.
7. Código E3	Falha do sensor de temperatura do evaporador	Substitua o sensor de temperatura do evaporador
8. Código E4	Depósito de água cheio durante o aquecimento	Esvazie o depósito de água.



**Nota:** Os produtos reais podem parecer diferentes.

## 11 Diretrizes europeias relativas à eliminação de resíduos

Ao utilizar este aparelho em países europeus, devem ser seguidas as seguintes indicações:

Eliminação: Não elimine este produto com resíduos municipais não separados. É necessária a recolha separada desses resíduos para tratamento especial.

É proibido eliminar este aparelho juntamente com o lixo doméstico.

Existem várias possibilidades para a eliminação:

- Em sistemas de recolha estabelecidos pelo município, onde seja possível eliminar material eletrónico sem encargos para o utilizador.
- Na compra de um produto novo, o comerciante receberá o produto antigo sem qualquer encargo.
- O fabricante aceitará o aparelho antigo para proceder à sua eliminação sem encargos para o cliente.
- Uma vez que os aparelhos antigos contêm materiais valiosos, podem ser vendidos a sucatas.

A eliminação de resíduos em florestas e zonas verdes põe em risco a saúde, quando as substâncias perigosas se infiltram nos lençóis freáticos e na cadeia alimentar.



Este símbolo indica que, no final da sua vida útil, este equipamento não deverá ser colocado no lixo com outros resíduos domésticos. O equipamento usado deverá ser colocado num ponto oficial de recolha de resíduos de equipamentos elétricos e eletrónicos. Para localizar um ponto de recolha, por favor entre em contato com as autoridades locais ou com o revendedor onde o equipamento foi adquirido. Cada agregado familiar desempenha um papel importante na recuperação e reciclagem dos equipamentos usados. A eliminação adequada do equipamento usado ajuda a prevenir possíveis consequências negativas para o meio ambiente e para a saúde humana.

## 12 Instruções de instalação

### 12.1 Instruções para o gás F

Este produto contém gases fluorados com efeitos de estufa.

Os gases fluorados com efeitos de estufa estão encerrados em equipamento hermeticamente selado.

Instalações, serviços, manutenções, reparações, verificações de fugas ou desmantelamento de equipamento e reciclagem do produto devem ser acarretadas por pessoas certificadas para tal.

Se o sistema possuir um sistema de verificação de fugas instalado, as verificações de fugas devem ser feitas, pelo menos, anualmente, para se certificar que o equipamento está a funcionar corretamente.

Se forem necessárias verificações de fugas ao produto, o ciclo de inspeção deve ser especificado para se estabelecer e manter um registo destas verificações.



**Nota:** Para equipamento selado hermeticamente, aparelhos de ar-condicionado móveis, aparelhos de ar-condicionado de janela e desumidificadores, se o equivalente de CO<sub>2</sub> de gases fluorados com efeito de estufa for inferior a 10 toneladas, a verificação de fugas não deve ser realizada.

## 13 Especificações

Nome do modelo Beko	BP109C	BP112C	BP112H	BP113H	BP109AC	BP109AH
Refrigerante	R290	R290	R290	R290	R290	R290
Quantidade total de refrigerante (g)	212	226	226	225	230	230
Classe climática	T1	T1	T1	T1	T1	T1
Capacidade de arrefecimento (Btu/h)	8871	11942	11942	12966	8530	8530
Capacidade de arrefecimento (W)	2600	3500	3500	3800	2500	2500
Capacidade de aquecimento (Btu/h)	-	-	8871	10577	-	7165
Potência de aquecimento (W)	-	-	2600	3100	-	2100
Eficiência energética do arrefecimento (W/W) - EER	2,60	2,60	2,60	2,60	3,10	3,10
Eficiência energética do aquecimento (W/W) - COP	-	-	2,30	2,30	-	2,60
Classe energética-arrefecimento	A (UE 626/2011)	A (UE 626/2011)	A (UE 626/2011)	A (UE 626/2011)	A+ (UE 626/2011)	A+ (UE 626/2011)
Classe energética-aquecimento	-	-	A (UE 626/2011)	A (UE 626/2011)	-	A+ (UE 626/2011)
Entrada de energia - Refrigeração (W)	1000	1346	1346	1462	806	806
Entrada de energia - Aquecimento (W)	-	-	1130	1348	-	807
Tensão/Frequência (V/Hz)	220-240V~/50Hz	220-240V~/50Hz	220-240V~/50Hz	220-240V~/50Hz	220-240V~/50Hz	220-240V~/50Hz
Nível de potência sonora (dBA) - (potência sonora)	65/63/61	65/63/61	65/63/61	65/63/61	65/63/61	65/63/61
Nível de pressão sonora (dBA) - (pressão sonora)	52/50/48	52/50/48	52/50/48	52/50/48	52/50/48	52/50/48
Volume de fluxo de ar (m <sup>3</sup> /h)	380	380	380	440	380	380



## 13 Especificações

Nome do modelo Beko	BP109C	BP112C	BP112H	BP113H	BP109AC	BP109AH
Remoção da humidade (L/h)	1,0	1,2	1,2	1,5	1,0	1,0
Faixa de temperatura de funcionamento frio (°C)	18°C-35°C	18°C-35°C	18°C-35°C	18°C-35°C	18°C-35°C	18°C-35°C
Faixa de temperatura de funcionamento quente (°C)	-	-	7°C-27°C	7°C-27°C	-	7°C-27°C

1. A especificação corresponde a valores padrão calculados com base nas condições nominais de funcionamento. Variam em condições de trabalho diferentes.
2. A nossa empresa efetua melhorias técnicas frequentemente. Não haverá aviso prévio de qualquer alteração de dados técnicos. Leia a placa de identificação no aparelho de ar condicionado.
3. O valor nominal é estado sob 35/24(int.)35/24(ext).



# Najprije pročitajte ovaj korisnički priručnik!


Dragi kupče,

hvala što ste odabrali proizvod marke Beko. Nadamo se da ćete od vašeg proizvoda koji je proizveden uz primjenu visokokvalitetne i najsuvremenije tehnologije dobiti najbolje rezultate. Stoga vas molimo da pažljivo pročitate korisnički priručnik u cijelosti, kao i sve druge popratne dokumente, prije upotrebe proizvoda te ga zadržite za buduću uporabu. Ako proizvod date nekome drugome, toj osobi dajte i korisnički priručnik. Pratite sva upozorenja i informacije iz korisničkog priručnika.

## Značenje simbola


Sljedeći se simboli koriste u raznim odjeljcima ovog priručnika:


	Važne informacije ili korisne natuknice o uporabi.
--	--

	Upozorenje na situacije opasne po ljudski život i imovinu.
--	--


	Upozorenje o radnjama koje nikada ne smijete izvoditi.
--	--

	Upozorenje o mogućnosti strujnog udara.
---	---

	Upozorenje o vrućim površinama.
--	---------------------------------

	Ne pokrivati.
--	---------------

	Simbol ukazuje na to da bi se priručnik za uporabu trebao pažljivo pročitati.
---	---

	Simbol ukazuje na to da bi servisno osoblje trebalo rukovati opremom uz praćenje uputa iz priručnika za ugradnju.
---	---

	Simbol ukazuje na to da se u uređaju koristi zapaljivo rashladno sredstvo. Ako rashladno sredstvo iscuri i izloži se vanjskom izvoru paljenja, postoji opasnost od nastanka požara.
--	---



Proizvod je proizveden ekološki prihvatljivim, suvremenim objektima

# Sadržaj

<b>1 Sigurnosna upozorenja</b>	<b>342</b>
<b>2 Naziv dijelova</b>	<b>366</b>
<b>3 Pribor</b>	<b>367</b>
<b>4 Izgled i funkcije nadzorne ploče</b>	<b>368</b>
4.1 Model koji ima samo hlađenje (nepovratno).....	368
4.2 Model s hlađenjem i grijanjem (reverzibilni).....	369
<b>5 Izgled i funkcije daljinskog upravljača</b>	<b>370</b>
<b>6 Uvod u rad</b>	<b>372</b>
6.1 Prije korištenja .....	372
6.2 Hlađenje .....	373
6.3 Odvlaživanje .....	373
6.4 Rad u načinu rada Fan (Ventilator).....	373
6.5 Grijanje (ova funkcija nije dostupna za uređaj koji ima samo funkciju hlađenja) .....	373
6.6 Brojač vremena .....	374
6.7 Automatsko njihanje .....	374
6.8 Režim mirovanja.....	374
6.9 Ispuštanje vode .....	374
6.10 Funkcija bežične veze  .....	375
6.11 Funkcija Zone follow (Praćenje zone).....	375
<b>7 Objašnjenja ugradnje</b>	<b>376</b>
7.1 Objašnjenja ugradnje: .....	376
7.2 Uvod u ugradnju ispušne cijevi .....	377
7.3 Univerzalni pribor za brtvljenje za prijenosni klima uređaj (dodatna oprema).....	379
7.4 Koristite filtar Hepa 13 (samo za model BP113H) .....	382
7.5 Upozorenje o napunjenosti vodom.....	383

# Sadržaj

---

<b>8</b>	<b>Objašnjenja održavanja</b>	<b>384</b>
8.1	Očistite filtar zraka .....	384
8.2	Očistite površinu klima uređaja .....	385
<b>9</b>	<b>Održavanje</b>	<b>386</b>
<b>10</b>	<b>Otklanjanje poteškoća</b>	<b>387</b>
<b>11</b>	<b>Europske smjernice za odlaganje</b>	<b>388</b>
<b>12</b>	<b>Upute za ugradnju</b>	<b>389</b>
12.1	Uputa za fluorirane plinove .....	389
<b>13</b>	<b>Specifikacije</b>	<b>390</b>

---

# 1 Sigurnosna upozorenja

## Važno

Nemojte postavljati ili koristiti prijenosni klima uređaj prije no što pažljivo pročitate ovaj priručnik. Čuvajte korisnički priručnik u slučaju korištenja jamstva proizvođača ili za buduću upotrebu.

## Upozorenje

Ne upotrebljavajte sredstva za ubrzavanje postupka odmrzavanja ili čišćenje, osim onih koje preporučuje proizvođač.

Uređaj je obvezno pohraniti u prostoriji bez neprestano aktivnih izvora paljenja (npr. otvoreni plamen, uključeni plinski uređaj ili uključena električna grijalica).

Ne bušiti ili izlagati vatri.

Imajte na umu da rashladna sredstva ne moraju nužno imati miris.

Uređaj se mora postaviti, koristiti i skladištiti u prostoriji površine veće od X m<sup>2</sup>.

Model	X (m <sup>2</sup> )
9000 Btu/h, 10000 Btu/h, 12000 Btu/h, 13000 Btu/h	12

## 1 Sigurnosna upozorenja

### Upozorenje (za R290)

Posebne informacije za uređaje s rashladnim plinom R290.

- Pažljivo pročitajte sva upozorenja.
- Kada odmrzavate i čistite uređaj koristite isključivo alate koje preporučuje proizvođač.
- Uređaj se postavlja u prostoriji bez neprestano aktivnih izvora paljenja (na primjer: otvoreni plamen, plinski ili električni uređaji u radu).
- Ne bušiti ili izlagati vatri.
- Ovaj uređaj sadrži Y g (vidi naljepnicu s oznakom na stražnjoj strani) rashladnog plina R290.
- R290 je rashladni plin koji je u skladu s europskim direktivama o okolišu. Ne bušiti nijedan dio rashladnog kruga.
- Ako se uređaj postavlja, koristi ili skladišti u neprozračenom prostoru, prostorija mora biti projektirana tako da spriječi nakupljanje curenja rashladnog sredstva koje dovodi do opasnosti od požara ili eksplozije uslijed paljenja rashladnog sredstva uzrokovanog električnim grijalicama, pećima ili drugim izvorima paljenja.
- Uređaj treba skladištiti na način koji će spriječiti mehaničke kvarove.
- Pojedinci koji upravljaju ili rade na rashladnom krugu moraju imati odgovarajuću potvrdu organizacije za akreditaciju kojom se osigurava stručnost rukovanja rashladnim sredstvima u skladu sa specifičnim vrednovanjem koje priznaju udruženja u industriji.

## 1 Sigurnosna upozorenja

- Popravci se izvode isključivo na temelju preporuke proizvođača. Održavanje i popravci koji zahtijevaju podršku kvalificiranog osoblja moraju se izvoditi pod nadzorom kvalificirane osobe specijalizirane za upotrebu zapaljivih rashladnih sredstava.

### Opće sigurnosne upute

1. Uređaj je namijenjen isključivo za upotrebu u zatvorenim prostorima.
2. Ne upotrebljavajte uređaj na utičnici koja se popravlja ili nije pravilno instalirana.
3. Ne koristite uređaj, slijedite navedene mjere opreza:
  - A: blizu izvora vatre.
  - B: u prostoru gdje postoji mogućnost prskanja ulja.
  - C: u prostoru izloženom direktnoj sunčevoj svjetlosti.
  - D: u prostoru gdje postoji mogućnost prskanja vode.
  - E: u blizini kade, praonice rublja, tuša ili bazena.
4. Ni u kojem slučaju ne stavljajte prste ili šipke u otvor za izlaz zraka. Djecu posebno upozorite na ove opasnosti.
5. Tijekom prijevoza i skladištenja uređaj držite uspravnim kako bi se kompresor pravilno namjestio.
6. Uvijek isključite ili odspojite napajanje prije čišćenja klima uređaja.
7. Prilikom pomicanja klima uređaja, uvijek isključite i odspojite napajanje, a uređaj pomičite polako.
8. Kako bi se izbjegla mogućnost požara, klima uređaj ne smije biti pokriven.



## 1 Sigurnosna upozorenja

9. Sve utičnice klima uređaja moraju biti u skladu s lokalnim zahtjevima za električnu sigurnost. Ako je potrebno, provjerite postoje li takvi zahtjevi.
10. Djeca trebaju biti pod nadzorom kako se ne bi igrala s uređajem.
11. Ako se kabel za napajanje uređaja ošteti, mora ga zamijeniti proizvođač, korisnička služba proizvođača ili osoba sličnih kvalifikacija kako bi se izbjegle opasnosti.
12. Ovaj uređaj mogu koristiti djeca starosne dobi od 8 godina i starija i osobe ograničenih tjelesnih, osjetilnih ili mentalnih sposobnosti ili nedostatnog iskustva i znanja ako su pod nadzorom ili ako su upućeni u način sigurnog korištenja uređaja te ako su razumjeli opasnosti koje mogu nastati iz toga. Djeca se ne smiju igrati uređajem. Čišćenje i održavanje koje obavlja korisnik ne smiju obavljati djeca bez nadzora.
13. Uređaj se mora ugraditi u skladu s nacionalnim tehničkim propisima za električne instalacije.
14. Pojediniosti o vrsti i razredu osigurača:  
T, 250 V izmjenične struje, 2 A ili više.
15. Kontaktirajte ovlaštenog servisera za potrebe popravka ili održavanja ovog uređaja.
16. Nemojte povlačiti, izobličiti ili izmijeniti kabel za napajanje niti ga uranjati u vodu. Povlačenje ili neispravno korištenje kabela za napajanje može dovesti do oštećenja uređaja i prouzročiti električni udar.
17. Potrebna je sukladnost s nacionalnim propisima o plinu.
18. Otvori za ventilaciju ne smiju biti začepljeni.

## 1 Sigurnosna upozorenja

19. Sve osobe uključene u rad ili otvaranje rashladnog kruga moraju imati odgovarajuću potvrdu nadležnog tijela za akreditaciju u industriji koje osigurava stručnost rukovanja rashladnim sredstvima na siguran način i u skladu s industrijski priznatom specifikacijom procjene.
20. Servis se mora obavljati isključivo u skladu s preporukama proizvođača opreme. Radnje održavanja i popravka za koje je potrebna pomoć drugog kvalificiranog osoblja izvodi se pod nadzorom osobe nadležne za uporabu zapaljivih rashladnih sredstava.
21. Nemojte koristiti ili zaustavljati uređaj umetanjem ili izvlačenjem utikača iz utičnice jer to može prouzročiti električni udar ili požar zbog stvaranja topline.
22. Isključite uređaj ako iz njega dopiru neobični zvukovi, mirisi ili dim.
23. Uređaj nije namijenjen za upotrebu osobama (uključujući djecu) sa smanjenim fizičkim, senzornim ili mentalnim sposobnostima ili nedostatkom iskustva i znanja, osim u slučaju dobivenih uputa u vezi korištenja uređaja i nadzora odgovorne osobe.
24. Ako je kabel za napajanje oštećen, proizvođač, njegov zastupnik ili druga kvalificirana osoba mora ga zamijeniti kako bi se izbjegla opasnost.
25. Na uređaju treba biti navedena izolacija zaštitnog uređaja diferencijalne struje (FID) s nazivnom rezidualnom radnom strujom koja nije veća od 30 mA.

## 1 Sigurnosna upozorenja

26. Uređaj je namijenjen upotrebi u kućanstvu i sličnim primjenama kao što su

- kuhinjski prostori za osoblje u trgovinama, uredima i drugim radnim okruženjima;
- kuće na poljoprivrednim gospodarstvima;
- hoteli, moteli i druga stambena kruženja;
- okruženja u tipu smještaja s doručkom;

Na uređaju treba biti navedena izolacija zaštitnog uređaja diferencijalne struje (FID) s nazivnom rezidualnom radnom strujom koja nije veća od 30 mA.

27. Izjava o impedanciji

Ovi uređaji mogu se priključiti samo na napajanje s impedancijom sustava koja nije veća od 0,367  $\Omega$ . Po potrebi obratite se ovlaštenom distributeru za informacije o impedanciji sustava.

## 1 Sigurnosna upozorenja



### **Napomena:**

- Ako se oštete neki dijelovi, obratite se ovlaštenom prodavatelju ili serviseru;
- U slučaju oštećenja isključite prekidač za zrak i napajanje te se obratite ovlaštenom prodavatelju ili servisu;
- Kabel za napajanje uvijek mora biti čvrsto uzemljen.
- Ako je kabel za napajanje oštećen, isključite prekidač za zrak i napajanje kako biste izbjegli opasnost. Mora biti zamijenjen kod ovlaštenog prodavača ili servisera.



## Upozorenja (samo za upotrebu rashladnog sredstva R290)

### 1. Opće upute

#### 1.1 Provjere područja

Prije početka radova na sustavima sa zapaljivim rashladnim sredstvima potrebno je osigurati da opasnost od zapaljenja bude minimalna. Za popravak rashladnog sustava, potrebno je pridržavati se sljedećih mjera predostrožnosti prije obavljanja radova na sustavu.

#### 1.2 Postupak rada

Rad se mora izvoditi kontroliranim postupkom kako bi se smanjio rizik prisutnosti zapaljivog plina ili pare tijekom rada.

#### 1.3 Područje rada

Svo servisno osoblje i drugi koji rade u okolnom području moraju dobiti upute o prirodi rada koji se izvršava. Izbjegavajte rad u skućenim prostorima. Područje oko radnog prostora mora se odvojiti. Provjerite jesu li uvjeti unutar područja sigurni nakon uspostavljanja kontrole nad zapaljivim materijalima.

#### 1.4 Provjera prisutnosti zapaljivog rashladnog sredstva

Područje se provjerava prikladnim detektorom za rashladno sredstvo prije i tijekom rada kako bi se osiguralo da tehničar bude svjestan potencijalno zapaljivih atmosfera. Osigurajte da je oprema za otkrivanje curenja koja se koristi odgovarajuća za upotrebu sa zapaljivim rashladnim sredstvima, tj. da nema iskrenja, da je zatvorena na odgovarajući način ili samosigurna.

# 1 Sigurnosna upozorenja

## 1.5 Aparat za gašenje požara

Ako je potrebno izvesti toplu obradu na rashladnoj opremi ili povezanim dijelovima, prikladna oprema za gašenje požara mora biti dostupna u blizini. Držite aparat za gašenje sa suhim praškom ili CO<sub>2</sub> u blizini mjesta gdje se odvija punjenje.

## 1.6 Bez izvora paljenja

Nijedna osoba koja obavlja radove na rashladnom sustavu koji podrazumijevaju izlaganje cjevovoda koji sadrži ili je sadržavao rashladno sredstvo ne smije koristiti izvore paljenja na način koji može dovesti do opasnosti od požara ili eksplozije. Sve moguće izvore paljenja, uključujući pušenje cigareta, potrebno je držati na dovoljnoj udaljenosti od mjesta na kojem se obavlja ugradnja, popravak, uklanjanje i odlaganje, a za vrijeme čega bi se zapaljiva rashladna sredstva mogla ispustiti u okolni prostor. Prije obavljanja radova područje oko opreme potrebno je pregledati kako bi se osiguralo da ne postoje opasnosti od zapaljenja. Obavezno je postaviti znakove ZABRANJENO PUŠENJE.

## 1.7 Prozračeno područje

Osigurajte da je područje na otvorenom ili da je na odgovarajući način ventilirano prije otvaranja sustava ili izvođenja tople obrade. Mora se održavati određena razina prozračenosti za vrijeme izvođenja radova. Ventilacija bi trebala raspršiti bilo kakvo rashladno sredstvo na siguran način i, po mogućnosti, izbaciti ga u van u atmosferu.

# 1 Sigurnosna upozorenja

## 1.8 Provjere opreme za rashladno sredstvo

Kada se mijenjaju električni dijelovi, oni moraju odgovarati svrsi i biti ispravnih specifikacija. Obvezno je pratiti smjernice za održavanje i servis proizvođača u svakom trenutku. Ako imate nedoumica, obratite se tehničkom odjelu proizvođača za pomoć. Na instalacije koje koriste zapaljive rashladne tvari primjenjuju se sljedeće provjere: veličina punjenja u skladu je s veličinom prostorije u koju su ugrađeni dijelovi koji sadrže rashladno sredstvo; uređaji i izlazi za ventilaciju ispravni su i nisu začepljeni; ako se koristi neizravni rashladni krug, u sekundarnom krugu mora se provjeriti prisutnost rashladnog sredstva; označavanje na opremi mora biti vidljivo i čitko. Oznake i znakovi koji su nečitki moraju se ispraviti; rashladna cijev ili dijelovi ugrađuju se u položaj u kojem je malo vjerojatno da će biti izloženi bilo kojoj tvari koja može nagrizati komponente koje sadrže rashladno sredstvo, osim ako su komponente izrađene od materijala koji su sami po sebi otporni na koroziju ili su na odgovarajući način zaštićene od korozije.

## 1.9 Provjere električnih uređaja

Popravljanje i održavanje električnih dijelova mora obuhvaćati prve sigurnosne provjere i postupke pregledavanja dijelova. Ako postoji nedostatak koji bi mogao ugroziti sigurnost, obavezno je isključiti napajanje do kruga dok se nedostatak ne ukloni na zadovoljavajući način. Ako se nedostatak ne može ispraviti odmah, a potrebno je nastaviti s radom, obvezno je primijeniti prikladno privremeno rješenje. O tome je obavezno obavijestiti vlasnika opreme tako da sve stranke budu informirane.

# 1 Sigurnosna upozorenja

Početne provjere sigurnosti uključuju: pražnjenje kondenzatora: to se mora učiniti na siguran način kako bi se izbjegla mogućnost iskrenja; da tijekom punjenja, vađenja ili pročišćavanja sustava električne komponente i ožičenje pod naponom nisu izloženi; da postoji kontinuitet uzemljenja.

## 2. Popravci zatvorenih dijelova

2.1 Prilikom izvođenja popravaka na zatvorenim dijelovima, napajanje do opreme se mora prekinuti prije uklanjanja zatvorenih poklopaca, itd. Ako je zaista nužno da napajanje bude spojeno tijekom servisiranja, onda je obvezno postaviti stalno rješenje za otkrivanje curenja na mjestu gdje postoji najveća opasnost od curenja kako bi se pravovremeno moglo uočiti potencijalno opasnu situaciju.

2.2 Posebnu pažnju potrebno je obratiti na sljedeće kako biste osigurali da prilikom rada na električnim dijelovima ne dođe do izmjena na kućištu koje bi ugrozile razinu zaštite. To obuhvaća oštećenje kabela, prekomjeran broj spojeva, redne stezaljke koje nisu izvedene prema izvornim specifikacijama, oštećenje brtvi, neispravno postavljanje brtvenica itd. Pobrinite se da je uređaj sigurno postavljen. Provjerite jesu li brtve ili materijali za brtvljenje ispravni, tj. mogu li još uvijek služiti svrsi, a to je sprječavanje ulaska zapaljivih atmosfera. Zamjena dijelova treba se obaviti u skladu sa specifikacijama proizvođača.



## 1 Sigurnosna upozorenja



**Napomena:** Upotreba silikonskog brtvila može ograničiti učinkovitost nekih vrsta opreme za detekciju curenja. Samosigurni dijelovi ne moraju se izolirati prije izvođenja radova na njima.

### 3. Popravak samosigurnih dijelova

Nemojte trajno induktivno ili kapacitivno opteretiti krug bez da prije toga niste sigurni da to neće premašiti napon i struju dopuštenu za opremu koja se koristi.

Samosigurni dijelovi jedini su dijelovi na kojima se može raditi u zapaljivoj atmosferi dok je napajanje uključeno. Uređaj za ispitivanje mora biti ispravne snage. Dijelove zamjenjujte samo s dijelovima koje je naveo proizvođač. Upotreba drugih dijelova može dovesti do zapaljenja rashladnog sredstva u zapaljivoj atmosferi ako dođe do curenja.

### 4. Kabeli

Provjerite da kabeli nisu izloženi trošenju, korozivnom djelovanju, prekomjernom tlaku, vibracijama, oštrim rubovima ili bilo kakvim drugim štetnim učincima iz okoline. Provjera također podrazumijeva uzimanje u obzir učinaka starenja ili neprestanih vibracija nastalih iz izvora tako što su kompresori ili ventilatori.

### 5. Otkrivanje zapaljivih rashladnih sredstava

Nikada nemojte koristiti moguće izvore paljenja za traženje ili otkrivanje izvora curenja rashladnog sredstva. Ne smiju se koristiti detektori s otvorenim plamenom.

### 6. Načini za otkrivanje curenja

Sljedeći načini za otkrivanje curenja smatraju se prihvatljivima za sustave koji sadrže zapaljiva rashladna sredstva. Elektronički detektori curenja koriste se za otkrivanje zapaljivih rashladnih sredstava, no njihova osjetljivost možda nije odgovarajuća ili treba ponovnu kalibraciju. (Oprema za detektiranje mora se kalibrirati u prostoru bez rashladnog sredstva.) Osigurajte da detektor ne djeluje kao potencijalni izvor paljenja i da je odgovarajući za rashladno sredstvo. Oprema za otkrivanje curenja mora se postaviti na postotak donje granice zapaljivosti rashladnog sredstva i mora se kalibrirati prema korištenom rashladnom sredstvu te se treba potvrditi odgovarajući postotak plina (najviše 25 %). Tekućine za otkrivanje curenja prikladne su za upotrebu na većini rashladnih sredstava, ali se mora izbjegavati upotreba deterdženata koji sadrže klor jer klor može reagirati s rashladnim sredstvom i korozivno djelovati na bakrene cijevi. Ako postoji sumnja da je došlo do curenja, svi izvori otvorenog plamena moraju se ukloniti ili ugasiti. Ako se otkrije curenje rashladnog sredstva zbog kojeg je potrebno tvrdo lemljenje, svo se rashladno sredstvo treba izvaditi iz sustava ili izolirati (pomoću zapornih ventila) u dio sustava koji je udaljen od mjesta curenja. Dušik bez kisika (OFN) treba se pustiti kroz sustav prije i za vrijeme procesa tvrdog lemljenja.

### 7. Uklanjanje i pražnjenje

Pri otvaranju rashladnog kruga radi popravaka – ili u bilo koju drugu svrhu – koriste se konvencionalni postupci. Međutim, važno je koristiti najbolje prakse jer postoji mogućnost zapaljenja. Potrebno je učiniti sljedeće: ukloniti rashladno sredstvo; pročistiti krug inertnim plinom; isprazniti; ponovno pročistiti inertnim plinom; otvoriti krug rezanjem ili lemljenjem. Punjenje rashladnog sredstva mora se izvoditi u ispravne cilindre. Sustav se treba pročistiti dušikom bez kisika (OFN) kako bi uređaj bio siguran. Postupak će se možda morati ponoviti nekoliko puta. U postupku se ne smije koristiti komprimirani zrak ili kisik. Pročišćavanje se mora postići prekidanjem vakuuma u sustavu dušikom bez kisika (OFN) i punjenjem dok se ne postigne radni tlak, a zatim pražnjenjem u atmosferu te u konačnici vraćanjem u vakuum. Taj se postupak mora ponavljati dok u sustavu više ne bude rashladnog sredstva. Kada se iskoristi zadnje punjenje dušika bez kisika (OFN), sustav se mora ispustiti do razine atmosferskog tlaka kako bi se mogao omogućiti rad. To je iznimno važno ako se planira izvođenje tvrdog lemljenja na cjevovodu.

Osigurajte da utičnica za vakuumsku pumpu ne bude u blizini izvora paljenja te da je dostupna ventilacija.

### 8. Postupci punjenja

Osim konvencionalnih postupaka punjenja, obavezno je pridržavati se sljedećih uvjeta.

- Osigurajte da ne dođe do kontaminacije drugim rashladnim sredstvima kada budete koristili opremu za punjenje. Crijeva i vodovi moraju biti što kraći kako biste smanjili potrebnu količinu rashladnog sredstva koja se treba nalaziti u njima.
- Cilindri moraju biti uspravni.
- Osigurajte da rashladni sustav bude uzemljen prije punjenja sustava rashladnim sredstvom.
- Označite sustav kada završite punjenje (ako već nije obilježen).
- Potrebno je pripaziti da ne prepunite sustav rashladnim sredstvom.

Prije ponovnog punjenja sustava potrebno je ispitati tlak dušikom bez kisika (OFN). Obvezno je ispitati curi li plin iz sustava nakon dovršetka punjenja, a prije puštanja u pogon. Naknadno ispitivanje za curenje izvodi se prije napuštanja mjesta rada.

### 9. Stavljanje izvan pogona

Prije izvođenja tog postupka važno da tehničar bude u potpunosti upoznat s opremom i svim pojedinostima iste. Preporučena je dobra praksa da se sva rashladna sredstva izvade iz sustava na siguran način. Prije izvođenja zadatka uzima se uzorak ulja i rashladnog sredstva u slučaju da je potrebna analiza prije ponovne upotrebe izvađenog rashladnog sredstva. Od ključne je važnosti da napajanje bude spojeno prije započinjanja zadatka.

## 1 Sigurnosna upozorenja

- a) Upoznajte se s opremom i funkcijom te opreme.
- b) Električki izolirajte sustav.
- c) Prije postupka osigurajte: dostupnost opreme za mehaničko rukovanje cilindrima rashladnog sredstva (po potrebi); dostupnost i ispravno korištenje sve osobne zaštitne opreme; neprekidan nadzor postupka vađenja od strane kvalificirane osobe; usklađenost opreme za vađenje i cilindara s odgovarajućim standardima.
- d) Ako je moguće, ispumpajte rashladni sustav.
- e) Ako nije moguće postići vakuum, ugradite razdjelni priključak tako da se rashladno sredstvo može ukloniti iz različitih dijelova sustava.
- f) Postavite cilindar na vagu prije pražnjenja.
- g) Pokrenite stroj za pražnjenje i koristite ga u skladu s uputama proizvođača.
- h) Nemojte prepuniti cilindre. (Ne više od 80 % obujma kada se puni tekućinom).
- i) Nemojte prekoračiti maksimalni radni tlak cilindra, čak ni privremeno.
- j) Nakon što se cilindri pravilno napune i postupak dovrši, osigurajte da se cilindri, kao i oprema, odmah uklone s mjesta rada te da se svi izolacijski ventili na opremi zatvore.
- k) Izvađeno rashladno sredstvo ne smije se staviti u drugi rashladni sustav osim ako se prethodno ne očisti i provjeri.

### 10. Označavanje

Na opremi je potrebno označiti da je prestala s radom te da je iz nje ispražnjeno rashladno sredstvo. Oznaka mora biti datirana i potpisana.

Osigurajte da se na opremi koriste oznake na kojima je istaknuto da oprema sadrži zapaljivo rashladno sredstvo.

### 11. Vađenje

Kada uklanjate rashladno sredstvo iz sustava, bilo to za potrebe servisa ili za stavljanje izvan pogona, preporučuje se dobra praksa da se rashladna sredstva uklone na siguran način. Prilikom prebacivanja rashladnog sredstva u cilindre, osigurajte da se koriste isključivo odgovarajući cilindri za vađenje rashladnog sredstva. Osigurajte da je dostupan točan broj cilindara potreban za pohranu cijelog punjenja iz sustava. Svi cilindri koji će se koristiti trebaju biti namijenjeni za izvađenje rashladno sredstvo i obilježeni za to rashladno sredstvo (npr. posebni cilindri za vađenje rashladnog sredstva). Cilindri moraju imati ispravan ventil za ograničenje tlaka i ispravne odgovarajuće zaporne ventile. Prazne cilindre za vađenje potrebno je isprazniti i, po mogućnosti, ohladiti prije vađenja.

Oprema za vađenje mora biti u ispravnom stanju s uputama o opremi koja vam je pri ruci te mora biti prikladna za vađenje zapaljivih rashladnih sredstava. Osim toga, na raspolaganju mora biti komplet kalibriranih vaga u dobrom radnom stanju. Crijeva trebaju imati nepropusne spojke za odvajanje u dobrom stanju. Prije upotrebe stroja za vađenje provjerite je li stroj u zadovoljavajućem radnom stanju, je li održavan na odgovarajući način i jesu li svi pripadajući

## 1 Sigurnosna upozorenja

električni dijelovi zatvoreni kako bi se spriječilo paljenje u slučaju da dođe do ispuštanja rashladnog sredstva. Posavjetujte se s proizvođačem ako imate nedoumica.

Izvađeno rashladno sredstvo mora se vratiti dobavljaču za rashladna sredstva u odgovarajućem cilindru za vađenje rashladnog sredstva i uz odgovarajuću bilješku o prijenosu otpada. Nemojte miješati rashladna sredstva u jedinicama određenim za vađenje, a posebno ne u cilindrima.

Ako je potrebno ukloniti kompresore ili ulja kompresora, provjerite jesu li ispražnjeni do prihvatljive razine kako biste osigurali da zapaljivo rashladno sredstvo ne ostane u mazivu. Postupak pražnjenja obavlja se prije vraćanja kompresora dobavljačima. Za ubrzanje postupka smije se koristiti isključivo električno grijanje kućišta kompresora. Kada se iz sustava ispušta ulje, to se mora provoditi na siguran način.

### **Napomena o fluoriranim plinovima:**



- Fluorirani staklenički plinovi sadržani su u hermetički zatvorenoj opremi. Za specifične informacije o vrsti, količini i ekvivalentu CO<sub>2</sub> u tonama fluoriranog stakleničkog plina (na nekim modelima), pogledajte odgovarajuću naljepnicu na samom uređaju.
- Ugradnju, servis, održavanje i popravak ovog uređaja mora obavljati certificirani tehničar.
- Uklanjanje i recikliranje proizvoda mora obaviti certificirani tehničar.

### **Stručnost servisnog osoblja**

#### **Općenito**

Uz uobičajene postupke popravljanja rashladne opreme potrebna je posebna obuka za opremu sa zapaljivim rashladnim sredstvima.

U mnogim zemljama tu obuku provode nacionalne organizacije za osposobljavanje, akreditirane za poučavanje iz područja relevantnih nacionalnih standarda kompetencija koji mogu biti propisani zakonodavstvom.

Postignuta kompetencija treba biti dokumentirana certifikatom.

#### **Osposobljavanje**

Osposobljavanje treba sadržavati sljedeće:

Podaci o eksplozivnom potencijalu zapaljivih rashladnih sredstava koji pokazuju da zapaljivi materijali mogu biti opasni ako se njima nepažljivo rukuje.

Podaci o potencijalnim izvorima paljenja, posebno onima koji nisu očigledni, poput upaljača, prekidača za svjetlo, usisavača, električnih grijača.

Informacije o različitim konceptima sigurnosti:

Neprozračeno - (vidi točku GG.2) Sigurnost uređaja ne ovisi o prozračivanju kućišta. Isključivanje uređaja ili otvaranje kućišta nema značajan utjecaj na sigurnost. Ipak, postoji mogućnost nakupljanja rashladnog sredstva koje curi unutar kućišta, a zapaljiva atmosfera će se osloboditi pri otvaranju kućišta.



## 1 Sigurnosna upozorenja

Prozračeno kućište - (vidi točku GG.4) Sigurnost uređaja ovisi o prozračivosti kućišta. Isključivanje uređaja ili otvaranje kućišta ima značajan utjecaj na sigurnost. Prije toga potrebno je osigurati dostatno prozračivanje.

Prozračena prostorija - (vidi točku GG.5) Sigurnost uređaja ovisi o prozračivosti prostorije. Isključivanje uređaja ili otvaranje kućišta nema značajan utjecaj na sigurnost. Prozračivanje prostorije ne smije se isključiti za vrijeme postupaka popravljavanja.

Informacije o konceptu zabrtvljenih dijelova i kućišta prema normi IEC 60079-15:2010.

Informacije o ispravnim radnim postupcima:

### a) Puštanje u pogon

- Osigurajte dovoljnu površinu za punjenje rashladnog sredstva odnosno ispravnu montažu ventilacijskog kanala.
- Spojite cijevi i ispitajte nepropusnost prije punjenja rashladnim sredstvom.
- Prije puštanja u pogon provjerite sigurnosnu opremu.

### b) Održavanje

- Lokalna oprema popravljiva se vani ili u posebno opremljenoj radionici za servis uređaja sa zapaljivim rashladnim sredstvima.
- Na mjestu popravka osigurajte dovoljnu prozračivost.
- Imajte na umu da kvar opreme može biti uzrokovan gubitkom rashladnog sredstva te je moguće curenje rashladnog sredstva.

## 1 Sigurnosna upozorenja

- Ispraznite kondenzatore na način koji neće dovesti do iskrenja. Uobičajeni postupak stvaranja kratkog spoja na kondenzatorskim stezaljkama u pravilu uzrokuje iskrenje.
- Ponovno i točno sastavite zabrtvljena kućišta. Zamijenite istrošene brtve.
- Prije puštanja u pogon provjerite sigurnosnu opremu.

### c) Popravak

- Lokalna oprema popravlja se vani ili u posebno opremljenoj radionici za servis uređaja sa zapaljivim rashladnim sredstvima.
- Na mjestu popravka osigurajte dovoljnu prozračenost.
- Imajte na umu da kvar opreme može biti uzrokovan gubitkom rashladnog sredstva te je moguće curenje rashladnog sredstva.
- Ispraznite kondenzatore na način koji neće dovesti do iskrenja.
- Prilikom lemljenja, sljedeći postupci moraju se izvesti u točnom redosljedu:
  - Uklonite rashladno sredstvo. Ako prema nacionalnim propisima nije potrebno vađenje, isпустite rashladno sredstvo. Vodite računa o tome da ispušteno rashladno sredstvo ne uzrokuje opasnost. Ako postoji sumnja, jedna osoba trebala bi nadzirati isпуст. Posebno pazite da ispušteno rashladno sredstvo ne dopluta natrag u zgradu.
  - Ispraznite rashladni krug.
  - Pročistite rashladni krug dušikom 5 minuta.
  - Ponovno ispraznite.
  - Uklonite dijelove koji se zamjenjuju rezanjem, a ne plamenom.

## 1 Sigurnosna upozorenja

- Mjesto lemljenja pročistite dušikom tijekom lemljenja.
- Provedite ispitivanje curenja prije punjenja rashladnim sredstvom.
- Ponovno i točno sastavite zabrtvljena kućišta. Zamijenite istrošene brtve.
- Prije puštanja u pogon provjerite sigurnosnu opremu.

### d) Stavljanje izvan pogona

- Ako stavljanje izvan upotrebe utječe na sigurnost, punjenje rashladnog sredstva mora se ukloniti prije stavljanja izvan pogona.
- Osigurajte dovoljnu prozračenost na mjestu gdje je oprema.
- Imajte na umu da kvar opreme može biti uzrokovan gubitkom rashladnog sredstva te je moguće curenje rashladnog sredstva.
- Ispraznite kondenzatore na način koji neće dovesti do iskrenja.
- Uklonite rashladno sredstvo. Ako prema nacionalnim propisima nije potrebno vađenje, ispuštite rashladno sredstvo. Vodite računa o tome da ispušteno rashladno sredstvo ne uzrokuje opasnost. Ako postoji sumnja, jedna osoba trebala bi nadzirati ispušt. Posebno pazite da ispušteno rashladno sredstvo ne dopluta natrag u zgradu.
- Ispraznite rashladni krug.
- Pročistite rashladni krug dušikom 5 minuta.
- Ponovno ispraznite.
- Napunite dušikom do atmosferskog tlaka.
- Na opremi označite da je rashladno sredstvo uklonjeno.

## 1 Sigurnosna upozorenja

### e) Odlaganje

- Osigurajte dovoljnu prozračnost na radnom mjestu.
- Uklonite rashladno sredstvo. Ako prema nacionalnim propisima nije potrebno vađenje, ispustite rashladno sredstvo. Vodite računa o tome da ispušteno rashladno sredstvo ne uzrokuje opasnost. Ako postoji sumnja, jedna osoba trebala bi nadzirati ispušt. Posebno pazite da ispušteno rashladno sredstvo ne dopluta natrag u zgradu.
- Ispraznite rashladni krug.
- Pročistite rashladni krug dušikom 5 minuta.
- Ponovno ispraznite.
- Izrežite kompresor i ispustite ulje.

### **Prijevoz, označavanje i skladištenje uređaja koje koriste zapaljive rashladne tvari**

#### **Prijevoz opreme koja sadrži zapaljiva rashladna sredstva**

Moguće je postojanje dodatnih propisa u vezi prijevoza opreme koja sadrži zapaljive plinove. Najveći dopušteni broj komada opreme ili konfiguraciju opreme u zajedničkom prijevozu utvrđuje se primjenjivim propisima o prijevozu.

#### **Označavanje opreme znakovima**

Znakovi za slične uređaje koji se koriste u radnoj okolini općenito su uređeni lokalnim propisima i daju minimalne zahtjeve za postavljanje znakova sigurnosti i/ili zaštite zdravlja na mjestu rada.

## 1 Sigurnosna upozorenja

Sve propisane znakove potrebno je održavati, a poslodavci bi trebali osigurati da zaposlenici dobiju prikladne i dostatne upute i obuku o sigurnosnim znakovima i radnjama koje treba poduzeti u vezi s tim znakovima.

Potrebno je paziti da se djelotvornost znakova ne umanjuje stavljanjem prevelikog broja znakova na isto mjesto.

Svi korišteni piktogrami trebaju biti što jednostavniji i sadržavati samo bitne detalje.

### **Odlaganje opreme u kojoj se koristi zapaljiva rashladna sredstva**

Vidi nacionalne propise.

### **Skladištenje opreme/uređaja**

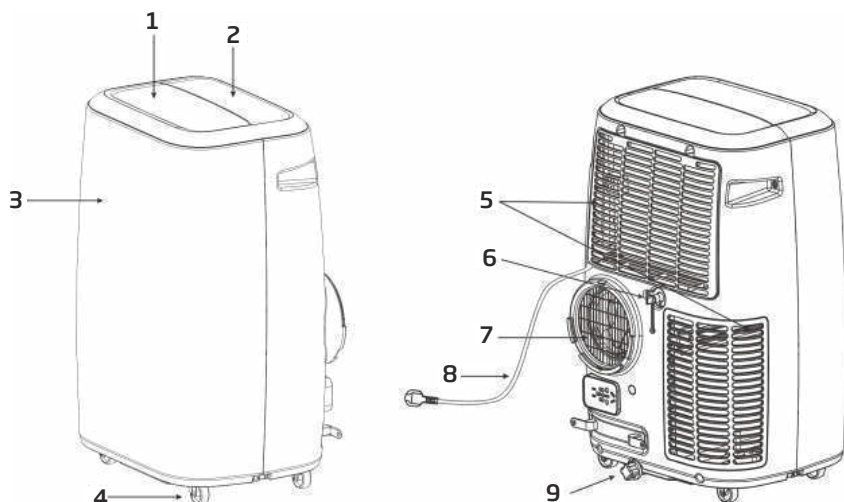
Oprema se treba skladištiti prema uputama proizvođača.

Skladištenje (neprodane) opreme u ambalaži

Zaštitu ambalaže u skladištu treba izvesti na način da mehanička oštećenja opreme unutar ambalaže ne prouzroče curenje rashladnog sredstva.

Najveći broj komada opreme koja se smije skladištiti zajedno određuje se lokalnim propisima.












## 2 Naziv dijelova



Slika 1

1	Otvor za zrak	5	Ulaz zraka
2	Upravljačka ploča	6	Ispust
3	Prednji poklopac	7	Izlaz zraka
4	Kotačić	8	Kabel napajanja
		9	Ispust

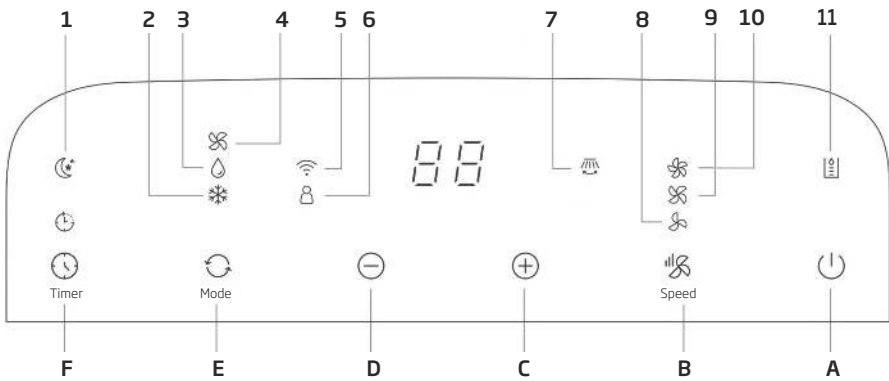
### 3 Pribor

Dio	Opis	Količina
	Ispušna cijev	1
	Spojnik za prozor	1
	Prilagodnik za kućište	1
	Daljinski upravljač	1
	Komplet za prozor	1
	Cilindrični zatik	1
	Platneni komplet za prozor	1 (dodatna oprema)
	Rola vrpce	1 (dodatna oprema)
	Izlaz zraka	1
	Cijev za vodu	1
	Baterije	2

Po raspakiravanju provjerite je li gore navedeni pribor uključen te provjerite njegovu namjenu u uputama za ugradnju u ovom priručniku.

## 4 Izgled i funkcije nadzorne ploče

### 4.1 Model koji ima samo hlađenje (nepovratno)

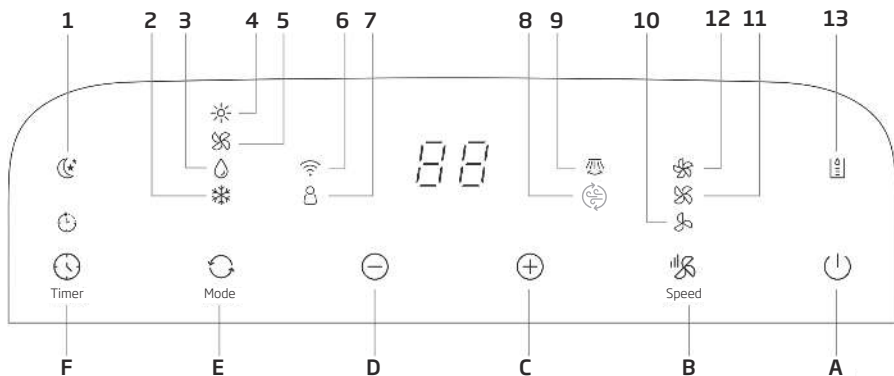


A	Napajanje uključeno/isključeno	4	Ventilator
B	Brzina ventilatora	5	Funkcija bežične veze
C	Povećanje temperature	6	Zone follow (Praćenje zone)
D	Sniženje temperature	7	Automatsko njihanje
E	Radni režim	8	Niska brzina ventilatora
F	Brojač vremena uključen/isključen	9	Srednja brzina ventilatora
1	Režim mirovanja	10	Visoka brzina ventilatora
2	Hlađenje	11	Spremnik vode napunjen
3	Odvlaživanje		



## 4 Izgled i funkcije nadzorne ploče

### 4.2 Model s hlađenjem i grijanjem (reverzibilni)



A	Napajanje uključeno/isključeno	4	Grijanje
B	Brzina ventilatora	5	Ventilator
C	Povećanje temperature	6	Funkcija bežične veze
D	Snižanje temperature	7	Zone follow (Praćenje zone)
E	Radni režim	8	Indikator filtra Hepa 13 (prisutno samo na BP113H)
F	Brojač vremena uključen/isključen	9	Automatsko njihanje
		10	Niska brzina ventilatora
1	Režim mirovanja	11	Srednja brzina ventilatora
2	Hlađenje	12	Visoka brzina ventilatora
3	Odvlaživanje	13	Spremnik vode napunjen

Preporučeno vrijeme korištenje HEPA filtra je 1080 sati.

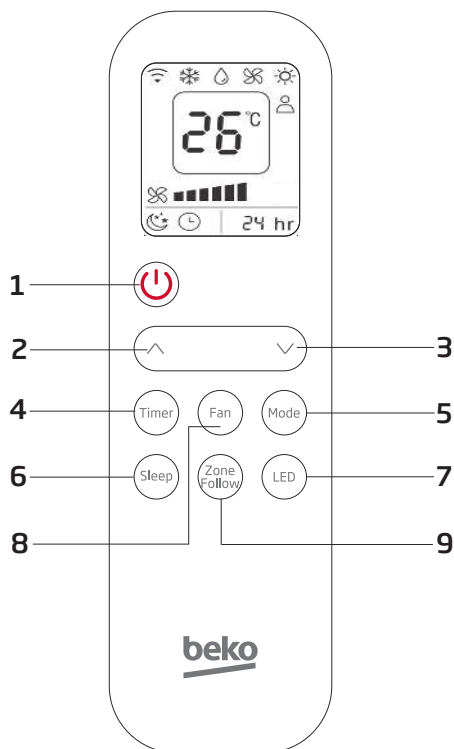
- Kada je akumulirano vrijeme senzora za pročišćavanje uključeno na 1080 sati, indikator filtra HEPA 13 treperi kako bi upozorio na potrebu zamjene novim HEPA filtrom.
- Ponovno postavljanje: Nakon zamjene HEPA filtra pritisnite tipku MJERAČ VREMENA na 5 sekundi da biste potvrdili ponovno postavljanje. Indikator filtra HEPA 13 tada prestaje treperiti i vrijeme se ponovno postavlja.

#### Napomena:



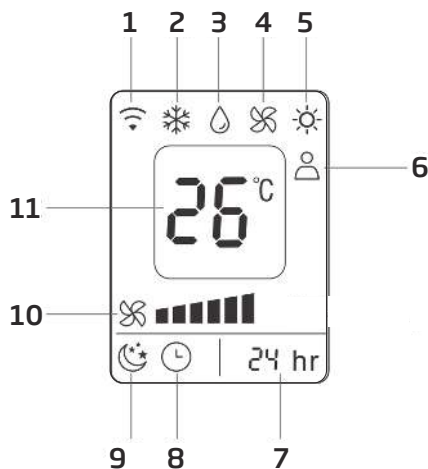
- Čuvajte filtar HEPA 13 u kadići uređaja kada ga ne koristite u proizvodu. U protivnom bi se skratio vijek trajanja i korištenja HEPA filtra.
- Kada se filtar HEPA 13 izvadi iz proizvoda/pakiranja na godinu dana ili više, preporučujemo ga zamijeniti novim filtrom HEPA 13 radi boljeg pročišćavanja zraka.
- Predloženo vrijeme rada ovisi o veličini prostorije, kvaliteti zraka itd.

## 5 Izgled i funkcije daljinskog upravljača



1. Napajanje uključeno/isključeno
2. Povećanje temperature
3. Snižanje temperature
4. Brojač vremena uključen/isključen
5. Radni režim
6. Režim mirovanja
7. LED zaslon
8. Brzina ventilatora
9. Zone follow (Praćenje zone)

## 5 Izgled i funkcije daljinskog upravljača



- |                                |                                      |
|--------------------------------|--------------------------------------|
| 1. Signal prijemnika 📶         | 7. Vrijeme                           |
| 2. Hlađenje                    | 8. Brojač vremena uključen/isključen |
| 3. Odvlaživanje                | 9. Režim mirovanja                   |
| 4. Ventilator                  | 10. Brzina ventilatora               |
| 5. Grijanje                    | 11. Prikaz temperature               |
| 6. Zone follow (Praćenje zone) |                                      |



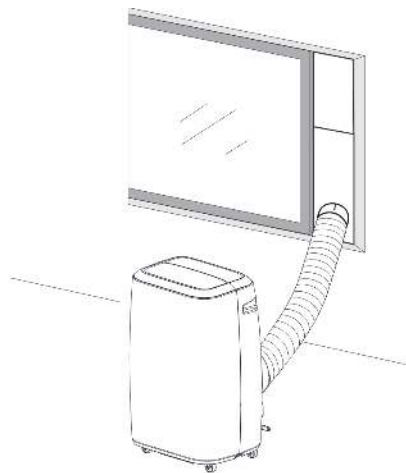
### Napomena:

- Ne bacajte daljinski upravljač.
- Ne držite daljinski upravljač na mjestu izloženoj izravnoj sunčevoj svjetlosti.

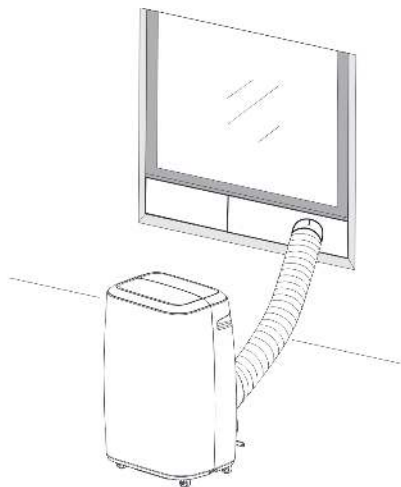
## 6 Uvod u rad

Prije početka rada u ovom odjeljku:

1. Pronađite mjesto u blizini izvora napajanja.
2. Kao što je prikazano na slikama 5 i 5a, ugradite ispušnu cijev i dobro prilagodite položaj na prozoru.



Slika 5



Slika 5a

3. Dobro spojite ispusnu cijev (samo za modele s grijanjem);
4. Umetnite kabel za napajanje u uzemljenu utičnicu napona 220~240 V / 50 Hz;
5. Pritisnite tipku napajanja kako biste uključili klima uređaj.

### 6.1 Prije korištenja

**Napomena:**

- **Raspon radne temperature:**

	Maksimalno hlađenje	Minimalno hlađenje
DB/WB(°C)	35/24	18/12

	Maksimalno grijanje	Minimalno grijanje
DB/WB(°C)	27/---	7/---

Provjerite je li ispušna cijev pravilno postavljena.

Upozorenja za funkcije hlađenja i odvlaživanja:

- Prilikom korištenja funkcija hlađenja i odvlaživanja, pričekajte najmanje 3 minute između svakog uključivanja / isključivanja.
- Napajanje zadovoljava uvjete.
- Utičnica je prikladna za rad klima uređaja.
- Ne uključujte druge uređaje u istu utičnicu.
- Napajanje je 220--240 V izmjenične struje pri 50Hz

### 6.2 Hlađenje

- Pritisnite tipku „Mode“ (Način rada) dok se ne pojavi ikona „Cool“ (Hlađenje).
- Pritisnite tipku „Down“ (Dolje) ili „Up“ (Gore) kako biste odabrali željenu temperaturu prostorije. (16°C - 31°C)
- Pritisnite tipku „Wind“ (Puhanje) kako biste odabrali brzinu puhanja.

### 6.3 Odvlaživanje

- Pritisnite tipku „Mode“ (Način rada) dok se ne pojavi ikona „Dehumidify“ (Odvlaživanje).
- Automatski postavite odabranu temperaturu na trenutnu temperaturu prostorije minus 2°C. (16°C-31°C)
- Automatski postavite motor ventilatora na nisku brzinu puhanja.

### 6.4 Rad u načinu rada Fan (Ventilator)

- Pritisnite tipku „Mode“ (Način rada) dok se ne pojavi ikona „Fan“ (Ventilator).
- Pritisnite tipku „Wind“ (Puhanje) kako biste odabrali brzinu puhanja.

### 6.5 Grijanje (ova funkcija nije dostupna za uređaj koji ima samo funkciju hlađenja)

- Pritisnite tipku „Mode“ (Način rada) dok se ne pojavi ikona „Heat“ (Grijanje).
- Pritisnite tipku „Down“ (Dolje) ili „Up“ (Gore) kako biste odabrali željenu temperaturu prostorije. (16°C - 31°C)
- Pritisnite tipku „Wind“ (Puhanje) kako biste odabrali brzinu puhanja.

### 6.6 Brojač vremena

Postavljanje brojača vremena do uključivanja:

- Kad je klima uređaj isključen, pritisnite tipku „Timer“ (Mjerač vremena) i odaberite željeno vrijeme uključivanja pomoću gumba za podešavanje temperature i vremena.
- Na upravljačkoj ploči prikazuje se „Preset On Time“ (Postavljanje vremena uključivanja), nakon podešavanja vremena 5 sekundi, na oba zaslona prikazat će se „set temperature“ (postavi temperaturu).
- Vrijeme uključivanja može se regulirati za bilo koje vrijeme od 0 do 24 sata.

Postavljanje brojača vremena do isključenja:

- Kad je klima uređaj uključen, pritisnite gumb „Timer“ (Brojač vremena) i odaberite željeno vrijeme gašenja pomoću tipke za podešavanje temperature i vremena.
- Na upravljačkoj ploči prikazuje se „Preset Off Time“ (Postavljanje vremena isključenja).
- Vrijeme gašenja može se regulirati za bilo koje vrijeme od 0 do 24 sata.

### 6.7 Automatsko njihanje

- Ta se funkcija može koristiti isključivo putem aplikacije Homewhiz.

### 6.8 Režim mirovanja

- Dok je uređaj u režimu cooling (hlađenja), pritisnite tipku Sleep (Mirovanje) kako biste postavili temperaturu. Povećava se za 1 °C nakon sat vremena, a najviše za 2 °C nakon 2 sata.
- Dok je uređaj u režimu heating (grijanja), pritisnite tipku Sleep (Mirovanje) kako biste postavili temperaturu. Smanjuje se za 1 °C nakon sat vremena, a najviše za 2 °C nakon 2 sata.
- Ponovnim pritiskom na tipku Sleep (Mirovanje) možete isključiti postavku.

### 6.9 Ispuštanje vode

Upozorenje o napunjenosti vodom

- Unutarnja kadica za vodu u klima uređaju ima sigurnosni prekidač koji kontrolira razinu vode. Kad razina vode dosegne predviđenu visinu, indikator napunjenosti vodom zasvijetli. (Ako je pumpa za vodu oštećena, kad se voda napuni, uklonite gumeni čep na dnu uređaja kako bi voda istekla van.)

Neprekidna odvodnja

- Kada namjeravate ne koristiti uređaj na dulje vrijeme, uklonite gumeni čep iz ispusta na dnu uređaja te spojite odvodnu cijev na donju pričvrсну stezaljku. Sva voda u spremniku bit će ispuštena.
- Vodu možete ispuštati kao što je navedeno kada uređaj radi u režimu heat (grijanja) i dehumidifying (odvlaživanja).
- Ako je pumpa za vodu oštećena, možete koristiti neprekidnu odvodnju, u tom slučaju pumpa za vodu nije aktivirana. Uređaj može dobro raditi.

Ako je pumpa za vodu oštećena, možete koristiti i povremenu odvodnju. Pod tim uvjetom, kada zasvijetli indikator napunjenosti vodom spojite odvodnu cijev na donju pričvrсну stezaljku, a sva voda u kadici za vodu bit će ispuštena. Uređaj može dobro raditi.

### 6.10 Funkcija bežične veze

- Pritisnite i 5 sekundi držite gumb „Speed“ (Brzina) da biste ušli u režim tvorničkog postavljanja bežične veze;
- Uređaj je povezan s bežičnom mrežom ako je indikator bežične veze uključen, u suprotnom nije povezan. Ako indikator bežične veze polako treperi, uređaj je u režimu uspostavljanja bežične veze; ako brzo treperi, uređaj je povezan s bežičnom mrežom;
- Većinu funkcija klima uređaja možete koristiti pomoću mobilne aplikacije (HomeWhiz) s bežičnom vezom.

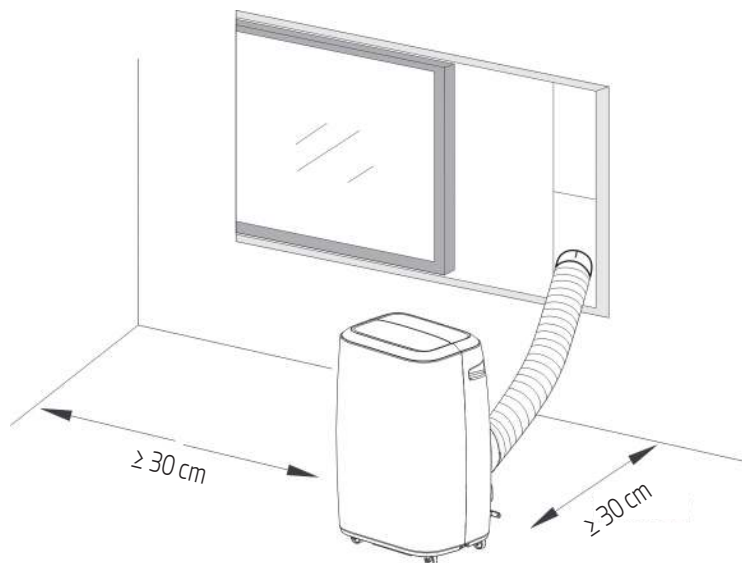
### 6.11 Funkcija Zone follow (Praćenje zone)

- Funkciju Zone follow (Praćenje zone) možete uključiti ili isključiti putem daljinskog upravljača;
- Kad je ova funkcija uključena, uređaj će kontrolirati temperaturu prostorije pomoću temperaturnog senzora u daljinskom upravljaču (sobni temperaturni senzor u uređaju više neće raditi)
- Funkcija će biti isključena ako uređaj ne primi signal s daljinskog upravljača u roku od 30 minuta. Prebacit će se na standardni senzor temperature prostorije u uređaju radi upravljanja temperaturom.

## 7 Objašnjenja ugradnje

### 7.1 Objašnjenja ugradnje:

- Klima uređaj za uklanjanje mora biti postavljen na ravnom i potpuno praznom mjestu. Nemojte zapriječiti izlaz zraka, a potrebna udaljenost od drugih predmeta treba biti najmanje 30 cm. (Vidjeti sliku 8)
- Ne smije se instalirati na mokrom mjestu, poput praonice rublja.
- Ožičenje utičnice mora biti u skladu s lokalnim propisima o električnoj sigurnosti.

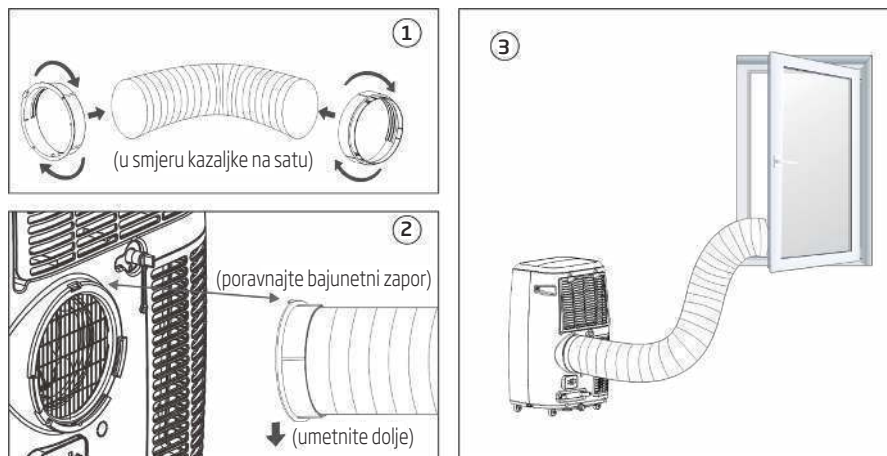


Slika 8



## 7 Objašnjenja ugradnje

### 7.2 Uvod u ugradnju ispušne cijevi



Slika 9

#### Privremena ugradnja

1. Oba kraja ispušne cijevi zavrnite u kvadratnu pričvrсну stezaljku i ravnu pričvrсну stezaljku.
2. Umetnite kvadratnu pričvrсну stezaljku u otvore na stražnjoj strani klima uređaja (pogledajte sliku 9).
3. Postavite drugi kraj ispušne cijevi blizu prozorske daske.

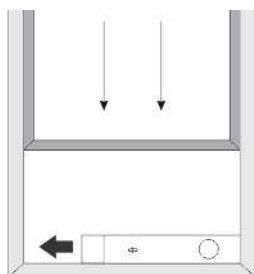
#### Ugradnja kliznog kompleta za prozor

Postavljanje kliznog kompleta za prozor obično se obavlja u „vodoravnom“ i „okomitom“ položaju. Kao što je prikazano na slikama 10 i 10a, provjerite min. i maks. veličinu prozora prije ugradnje.

1. Ugradite kompleta za prozor na prozor (slika 10, slika 10a);
2. Prilagodite duljinu kliznog kompleta za prozor širini ili visini prozora i učvrstite ga pomoću cilindričnog zatika;
3. Umetnite cijev spojnika za prozor u otvor kompleta za prozor.

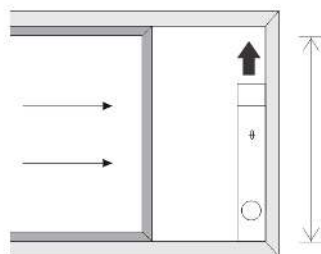
## 7 Objašnjenja ugradnje

①



Širina prozora  
min: 67,5 cm  
maks: 123 cm


Slika 10



Visina prozora  
min: 67,5 cm  
maks: 123 cm

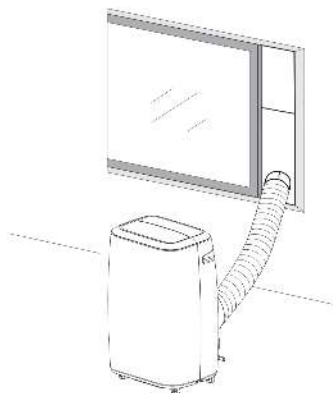
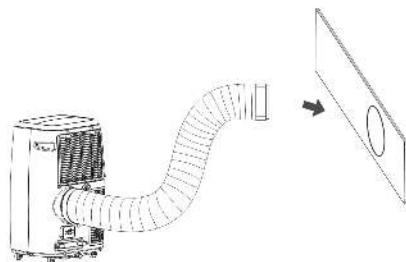
Slika 10a

②

(Cilindrični zatic) 



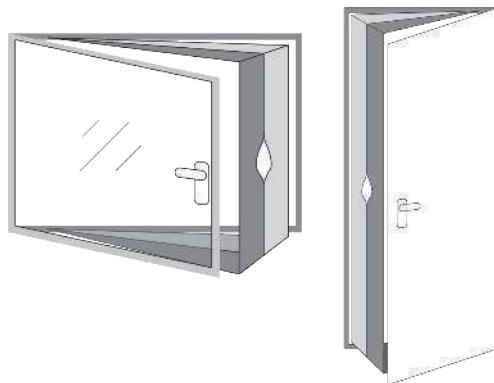
③



## 7 Objašnjenja ugradnje

### 7.3 Univerzalni pribor za brtvljenje za prijenosni klima uređaj (dodatna oprema)

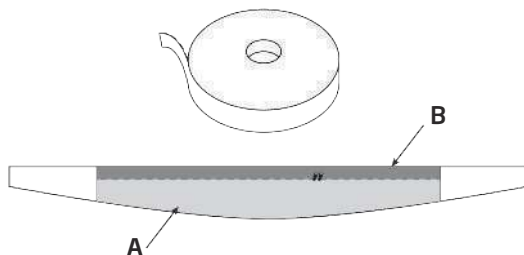
Prikladno za prozore i vrata



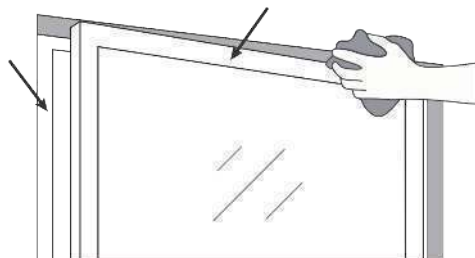
#### Komplet uključuje:

1 komad tkanine (4 m)

1 kolut ljepljive trake za pričvršćivanje (9 m)

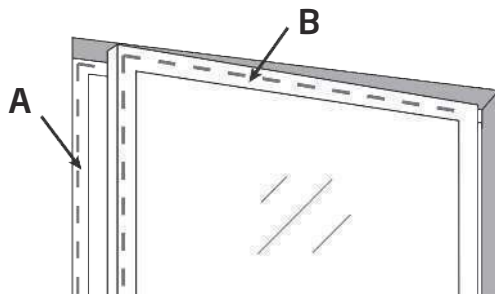


1. Otvorite prozor te očistite vrata i okvir prije postavljanja ljepljive trake.

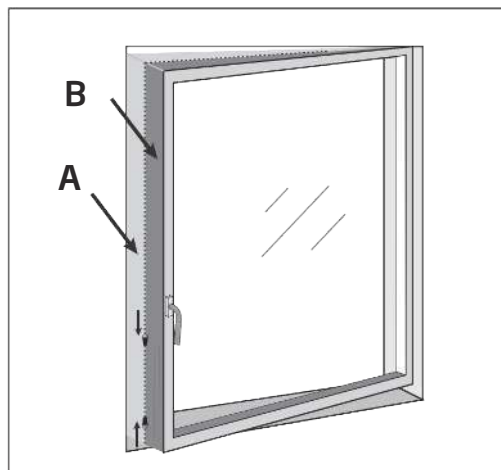


## 7 Objašnjenja ugradnje

2. Izrežite velike komade ljepljive trake za pričvršćivanje prema dimenzijama prozora. Zalijepite ih na okvir prozora, te isto učinite na unutarnjoj površini otvora prozora (na strani ručke).

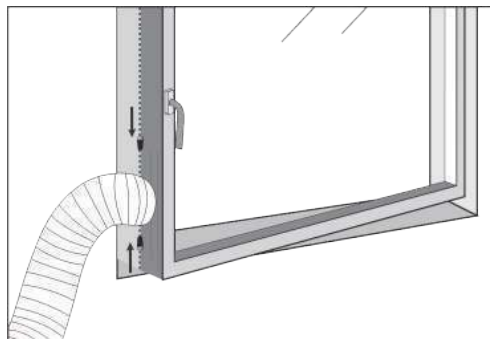


3. Zalijepite najširu stranu (A) velikog komada bijele tkanine na okvir prozora, a potom užu stranu (B) zalijepite na krilo prozora (strana ručke) od sredine, potom prema gore te na kraju prema dolje.



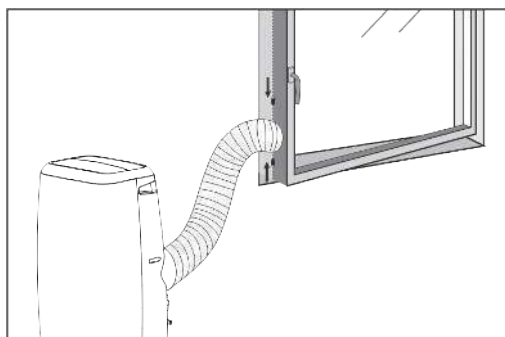
4. Zatvorite prozor i pazite da veliki komad tkanine nije zaglavljnjen u spojevima zatvaranja te da je prozor uvijek pravilno zatvoren, usprkos ljepljivoj traci za pričvršćivanje.
5. Pažljivo otvorite prozor i patentni zatvarač na tkanini (na dnu ili oko sredine prozora), a zatim umetnite ispušnu cijev u otvor. Namjestite patentni zatvarač tako da je ispušna cijev pričvršćena bez izmjene zraka između unutarnje i vanjske strane.

## 7 Objašnjenja ugradnje



6. Vaš set za brtvljenje je ugrađen te sada možete uključiti svoj mobilni klima uređaj i uživati njegovom hlađenju!

Kada više ne želite koristiti mobilni klima uređaj i želite zatvoriti prozor, uklonite oblogu s patentnog zatvarača i zatvorite prozor, uz provjeru da tkanina nije zaglavljena u spojevima zatvaranja.



### **Napomena:**



Ako imate francuski prozor s dva krila: Zatvorite prvo krilo ručkom i izvedite ugradnju seta za brtvljenje na drugom krilu (bez ručke).

Prije ugradnje pobrinite se da ljepljiva traka ne ošteti vaš prozor.

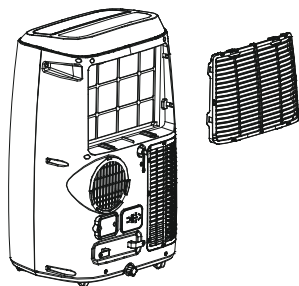
## 7 Objašnjenja ugradnje

### 7.4 Koristite filtar Hepa 13 (samo za model BP113H)

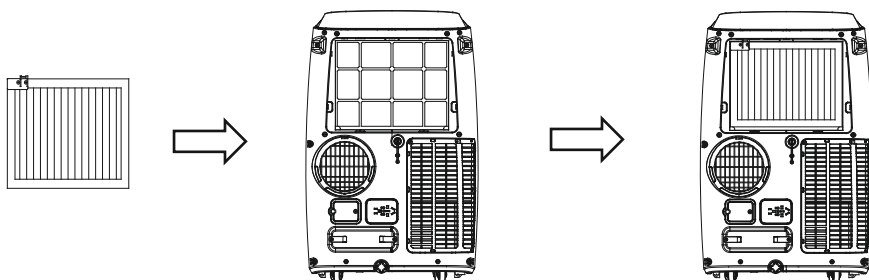
1. Stavljanjem filtra Hepa 13 uključuje se indikator svježine.
2. U funkciji pročišćivača zraka, funkcija hlađenja i odvlaživanja se ne može koristiti.
3. Ako trebate funkciju hlađenja i odvlaživanja, morate isključiti filtar Hepa 13.

Kako postaviti filtar Hepa 13

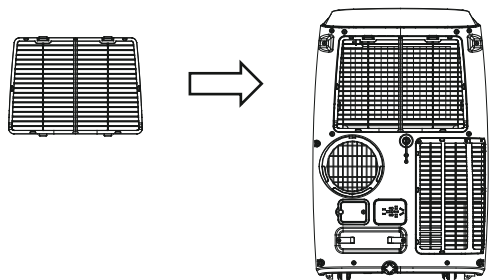
1. Izvadite filtar uređaja.



2. Stavite filtar Hepa 13.



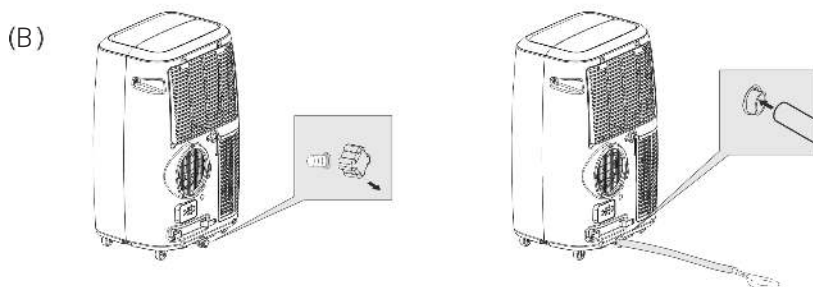
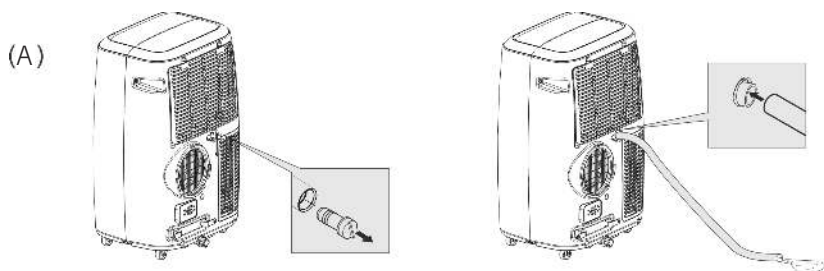
3. Stavite filtar uređaja.



## 7 Objašnjenja ugradnje

### 7.5 Upozorenje o napunjenosti vodom

Unutarnja kadica za vodu u klima uređaju ima sigurnosni prekidač koji kontrolira razinu vode. Kad razina vode dosegne predviđenu visinu, indikator napunjenosti vodom zasvijetli. (Ako je pumpa za vodu oštećena, kad se spremnik napuni vodom, uklonite gumeni čep na dnu uređaja kako bi voda istekla.)



Otvor (A) na vrhu koristi se za odvodnju vode iz mobilnog klima uređaja (uklonite gumeni čep i dodajte odvodnu cijev u otvor) kada je u prostoriji puno vlage (u neprekidnoj odvodnji) ili kada proizvod radi u režimu dehumidification (odvlaživanja) ili heating (grijanja).

Otvor (B) na dnu ima spremnik i koristi se kada je potrebno isprazniti spremnik (upozorenje spremnika za vodu). Uklonite gumeni čep i dodajte odvodnu cijev u otvor za ispuštanje vode iz spremnika.



#### Napomena:

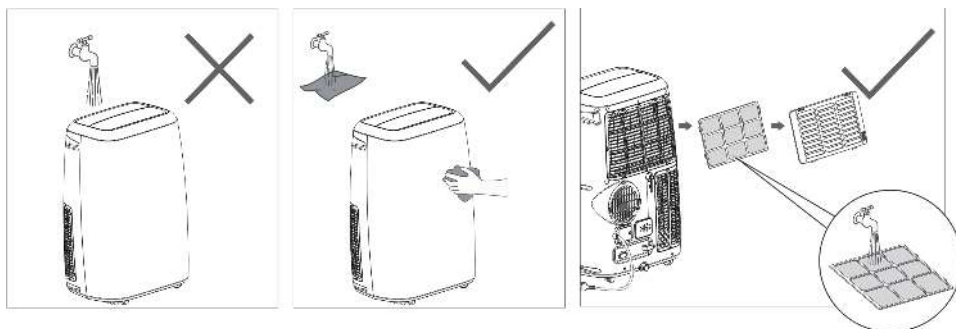
Ovisno o napunjenosti spremnika za vodu, količina vode za pražnjenje može biti velika. Bilo bi idealno isprazniti ga vani ili iznad velike posude kako ne biste poplavili prostoriju.

## 8 Objašnjenja održavanja



### Upozorenje:

- Prije čišćenja ili servisiranja uvijek isključite uređaj.
- Nemojte koristiti zapaljive tekućine ili kemikalije za čišćenje uređaja.
- Ne perite uređaj pod tekućom vodom. To može prouzročiti električnu opasnost.
- Nemojte koristiti uređaj ako je tijekom čišćenja oštećen izvor napajanja. Oštećeni kabel za napajanje treba zamijeniti novim kabelom proizvođača.
- Ako je uređaj oštećen, obratite se ovlaštenom prodavatelju ili servisu.



### 8.1 Očistite filtar zraka

- Ako se filtar zraka začepi zbog prašine/nečistoće, filtar zraka treba čistiti jednom svaka dva tjedna.
- Uklanjanje  
Otvorite ulaznu rešetku za zrak i skinite filtar zraka.
- Čišćenje  
Očistite filtar zraka neutralnim deterdžentom u mlakoj vodi (40 °C) i osušite u sjeni.
- Ugradnja  
Postavite filtar zraka u ulaznu rešetku, vratite dijelove na predviđena mjesta.



## 8 Objašnjenja održavanja



### Upozorenje:

Nemojte koristiti uređaj bez filtra jer će ga nečistoća i vlakna začepiti i smanjiti performanse.

### 8.2 Očistite površinu klima uređaja

Površinu prvo očistite neutralnim deterdžentom i vlažnom krpom, a potom obrišite suhom krpom.

## 9 Održavanje

### Savjeti za održavanje

Za optimalan rad očistite filtar zraka svaka 2 tjedna.

Kadicu za sakupljanje vode treba isprazniti čim se pojavi pogreška P1 i prije skladištenja kako bi se spriječila plijesan.

U kućanstvima sa životinjama povremeno obrišite rešetku kako biste spriječili začepljenje protoka zraka životinjskim dlakama.

### Čistite uređaj

Uređaj očistite vlažnom krpom bez vlakana i neutralnim deterdžentom. Uređaj osušite suhom krpom bez vlakana.

### Uređaj spremite kada se ne koristi

Ispraznite kadicu za prikupljanje vode jedinice prema uputama u sljedećem odjeljku.

Kako biste ga osušili i spriječili pojavu plijesni, uređaj koristite u režimu Fan (Ventilator) 12 sati u toploj prostoriji.

Ugasite uređaj i isključite ga.

Očistite filtar za zrak prema uputama iz prethodnog odjeljka. Ugradite čisti, suhi filtar prije spremanja.

Izvadite baterije iz daljinskog upravljača.

Uređaj čuvajte na hladnom i tamnom mjestu. Izloženost izravnom suncu ili ekstremnoj vrućini može skratiti životni vijek uređaja.



**Napomena:** Kućište i prednja strana mogu se očistiti od prašine krpom bez ulja ili krpom navlaženom u otopini tople vode i blagog tekućeg deterdženta za pranje posuđa. Dobro isperite i osušite krpom. Nikada ne koristite jaka sredstva za čišćenje, vosak ili sredstvo za poliranje na prednjoj strani kućišta. Ocijedite višak vode s krpe prije brisanja oko kontrolnih tipki. Prevelika količina vode u ili oko kontrolnih tipki može dovesti do oštećenja uređaja.

## 10 Otklanjanje poteškoća

Problemi	Mogući uzroci	Preporučena rješenja
1. Uređaj se ne uključuje pritiskom na tipku on/off (uključeno/isključeno)	- Indikatorska napunjenosti vodom treperi i spremnik za vodu je pun.	Izbacite vodu iz spremnika za vodu.
	- Sobna temperatura viša je od zadane temperature. (Režim Heating (Grijanja))	Ponovno postavite temperaturu
	- Sobna temperatura niža je od zadane temperature. (Režim Cooling (Hlađenja))	Ponovno postavite temperaturu
2. Nije dovoljno hladno	- Vrata ili prozori nisu zatvoreni.	Provjerite jesu li zatvoreni svi prozori i vrata.
	- U prostoriji postoje izvori topline.	Uklonite izvore topline ako je to moguće.
	- Cijev za ispušni zrak nije spojena ili je začepljena.	Spojite ili očistite cijev za ispušni zrak.
	- Postavljena je temperatura previsoka.	Ponovno postavite temperaturu
	- Ulaz zraka je blokiran.	Očistite ulaz zraka.
3. Bučan rad	- Tlo nije ravno ili je nedovoljno ravno	Postavite uređaj na ravno tlo ako je to moguće
	- Zvuk dolazi iz protoka rashladnog sredstva unutar klima uređaja	To je normalno.
4. Šifra E0	Greška senzora sobne temperature	Zamijenite senzor sobne temperature (uređaj može raditi i bez zamjene.)
5. Šifra E1	Greška senzora temperature kondenzatora	Zamijenite senzor temperature kondenzatora
6. Šifra E2	Spremnik za vodu pun je pri hlađenju	Skinite gumeni čep i isпустite vodu.
7. Šifra E3	Greška senzora temperature isparivača	Zamijenite senzor temperature isparivača
8. Šifra E4	Spremnik za vodu pun je pri grijanju	Ispraznite spremnik za vodu.



**Napomena:** Stvarni proizvodi mogu izgledati drugačije.

## 11 Europske smjernice za odlaganje

Kada uređaj koristite u europskim zemljama, morate se pridržavati sljedećih uputa:

Odlaganje: Nemojte odlagati baterije kao nerazvrstani komunalni otpad. Odvojeno sakupljanje takvog otpada nužno je zbog posebne obrade.

Zabranjeno je odložiti ovaj uređaj s kućnim otpadom.

Postoji nekoliko mogućnosti za odlaganje:

- Općina ima sustav sakupljanja otpada, prema kojem se elektronički otpad može besplatno odložiti.
- Prilikom kupovine novog uređaja prodavatelj će preuzeti stari uređaj bez dodatne naknade.
- Proizvođač će uzeti stari uređaj bez dodatne naknade za korisnika.
- Zbog vrijednih resursa, stari se uređaji mogu prodati trgovcima starim željezom.

Divlje odlaganje otpada u šumama i prirodu ugrožava vaše zdravlje jer opasne tvari cure u podzemne vode te dospijevaju u prehrambeni lanac.



Ovaj simbol označava da se ovaj proizvod ne smije odlagati zajedno s ostalim kućanskim otpadom na kraju njegovog radnog vijeka. Rabljeni uređaj mora se vratiti na službeno sabirno mjesto za recikliranje električnih i elektroničkih uređaja. Da biste pronašli te sustave za prikupljanje, obratite se lokalnim vlastima ili prodavaču gdje je proizvod kupljen. Svako kućanstvo igra važnu ulogu u uporabi i recikliranju starih uređaja. Odgovarajuće odlaganje iskorištenog aparata pomaže u sprečavanju mogućih negativnih posljedica za okoliš i ljudsko zdravlje.

## 12 Upute za ugradnju

### 12.1 Uputa za fluorirane plinove

Ovaj proizvod sadrži fluorirane stakleničke plinove.

Fluorirani staklenički plinovi sadržani su u hermetički zatvorenoj opremi.

Ugradnju, servis, održavanje, popravke, provjere mogućnosti curenja ili stavljanje opreme izvan pogona i recikliranje proizvoda trebaju obavljati fizičke osobe koje posjeduju relevantne certifikate.

Ako sustav ima ugrađen sustav za otkrivanje curenja, provjere curenja bi se trebale obavljati barem svakih 12 mjeseci kako bi se osiguralo pravilno funkcioniranje sustava.

Ako je na proizvodu potrebno obaviti provjere curenja, trebalo bi navesti koliko često se provjere trebaju obavljati te izraditi i spremiti evidenciju o provjerama curenja.



**Napomena:** Za hermetički zatvorenu opremu, prenosivi klima uređaj, prozorski klima uređaj i odvlaživač, ako ekvivalent CO<sub>2</sub> fluoriranog stakleničkog plina iznosi manje od 10 tona, ne bi se trebalo obavljati provjere curenja.

## 13 Specifikacije

Beko Naziv Modela	BP109C	BP112C	BP112H	BP113H	BP109AC	BP109AH
Rashladno sredstvo	R290	R290	R290	R290	R290	R290
Ukupna količina rashladnog sredstva (g)	212	226	226	225	230	230
Klimatski razred	T1	T1	T1	T1	T1	T1
Sposobnost hlađenja (Btu/h)	8871	11942	11942	12966	8530	8530
Snaga hlađenja (W)	2600	3500	3500	3800	2500	2500
Sposobnost grijanja (Btu/h)	-	-	8871	10577	-	7165
Snaga grijanja (W)	-	-	2600	3100	-	2100
Energetska učinkovitost hlađenja (W/W) - EER	2,60	2,60	2,60	2,60	3,10	3,10
Energetska učinkovitost grijanja (W/W) - COP	-	-	2,30	2,30	-	2,60
Energetska razina - hlađenje	A (EU 626/2011)	A (EU 626/2011)	A (EU 626/2011)	A (EU 626/2011)	A+ (EU 626/2011)	A+ (EU 626/2011)
Energetska razina - grijanje	-	-	A (EU 626/2011)	A (EU 626/2011)	-	A+ (EU 626/2011)
Ulazna snaga hlađenja (W)	1000	1346	1346	1462	806	806
Ulazna snaga grijanja (W)	-	-	1130	1348	-	807
Napon/frekvencija (V/Hz)	220-240 V~/50 Hz	220-240 V~/50 Hz	220-240 V~/50 Hz	220-240 V~/50 Hz	220-240 V~/50 Hz	220-240 V~/50 Hz
Razina buke (dBA) - (snaga zvuka)	65/63/61	65/63/61	65/63/61	65/63/61	65/63/61	65/63/61
Razina buke (dBA) - (zvučni tlak)	52/50/48	52/50/48	52/50/48	52/50/48	52/50/48	52/50/48
Protok zraka (m <sup>3</sup> /h)	380	380	380	440	380	380
Uklanjanje vlage (L/h)	1,0	1,2	1,2	1,5	1,0	1,0
Raspon radne temperature pri hlađenju (°C)	18°C-35°C	18°C-35°C	18°C-35°C	18°C-35°C	18°C-35°C	18°C-35°C
Raspon radne temperature pri grijanju (°C)	-	-	7°C-27°C	7°C-27°C	-	7°C-27°C

## 13 Specifikacije

1. U specifikacijama su navedene standardne vrijednosti izračunate na temelju nominalnih radnih uvjeta. Moguće su odstupanja u radnim uvjetima.
2. Naša tvrtka brzo tehnički napreduje. Neće biti prethodnih napomena za bilo kakve izmjene tehničkih podataka. Pročitajte pločicu s podacima na klima uređaju.
3. Nazivna vrijednost ispitana je pod temperaturama 35/24 (unutarnja), 35/24 (vanjska).

Importer in Croatia - Elipso d.o.o.  
Gospodarska 16c, 10255 Donji Stupnik, Hrvatska

Proizvela tvrtka Arcelik A.S. Karaagac Cd. Br: 2-6 34445 Sutluce, Beyoglu, Istanbul, Turska.





# Application HomeWhiz

Manuel d'utilisation



# HomeWhiz™

BP109C | BP109AC | BP112H

BP112C | BP109AH | BP113H

FR



**beko**

# Table des matières

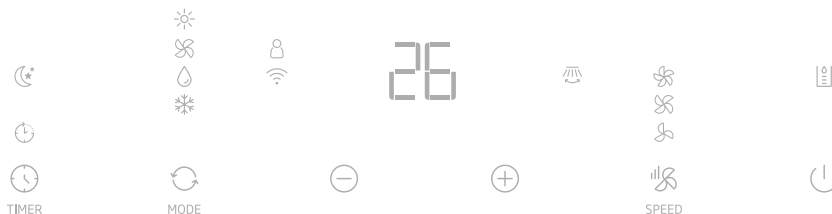
---

<b>1</b>	<b>Fonctionnement de l'application HomeWhiz</b>	<b>17</b>
1.1	Configuration de l'application HomeWhiz et paramètres du compte utilisateur .....	17
1.2	Installation du climatiseur mobile sur plusieurs téléphones portables .....	18
1.3	Fonctionnalités réalisables avec HomeWhiz .....	19
1.4	Suppression des paramètres HomeWhiz .....	19
1.4.1	Dépannage de l'application HomeWhiz .....	19
1.5	Fonctionnalités du module de réseau sans fi .....	20
<b>2</b>	<b>Synchronisation du climatiseur mobile avec Google Assistant</b>	<b>21</b>
<b>3</b>	<b>Synchronisation du climatiseur mobile avec Amazon Alexa</b>	<b>23</b>
3.1	Configurez Amazon Echo et activez l'application HomeWhiz .....	23
3.2	Contrôle du climatiseur via Amazon Echo .....	25






# 1 Fonctionnement de l'application HomeWhiz

L'application  HomeWhiz vous permet de contrôler votre climatiseur et de surveiller la température ambiante à partir de votre téléphone.




## 1.1 Configuration de l'application HomeWhiz et paramètres du compte utilisateur



Pour utiliser les fonctions de commande à distance de votre climatiseur, vous devez installer l'application HomeWhiz à partir du magasin d'applications (App store ou Google Play store) disponible sur votre téléphone. Pour utiliser l'application, assurez-vous que votre téléphone est connecté à Internet. Si vous n'avez pas utilisé le climatiseur mobile auparavant, vous devez d'abord vous enregistrer dans l'application HomeWhiz avec votre adresse e-mail. Une fois l'enregistrement terminé, vous pouvez utiliser votre compte avec tous les appareils compatibles HomeWhiz dans votre maison. Pour voir les appareils associés à votre compte, appuyez sur « Ajouter/Supprimer un appareil » dans l'onglet « Appareils » de l'application. Dans cet onglet, vous pouvez attribuer des appareils aux utilisateurs.

1. Sur votre téléphone, accédez aux paramètres sans fil et connectez-vous à votre réseau  domestique pour connecter votre climatiseur.
2. Ouvrez l'application HomeWhiz et appuyez sur « Ajouter un appareil ».
3. Sélectionnez votre type d'appareil « Catégorie Traitement de l'air » puis « Climatiseur ».
4. Dans l'écran qui apparaît, saisissez le numéro de votre appareil (code SKU / SAP avec 10 chiffres).
5. Lisez les instructions à l'écran, puis appuyez sur « Suivant ».
6. Branchez l'appareil (N'appuyez pas sur le bouton « ON » (Allumé) situé sur le panneau de commande.), et appuyez sur le bouton « SPEED » (VITESSE) à l'écran pendant 5 secondes, l'icône du  sans-fil clignotera rapidement à l'écran, puis appuyez de nouveau sur le même bouton pendant 5 secondes, l'icône du  sans-fil clignotera lentement à l'écran.
7. Pendant que l'icône du  sans-fil clignote lentement à l'écran, « HomeWhiz\_xxxx » s'ajoutera dans la liste des réseaux  pour représenter le climatiseur mobile.
8. Passez à l'étape suivante de l'application HomeWhiz et connectez votre appareil mobile au réseau « HomeWhiz\_xxxx » conformément aux instructions.  
Revenez sur l'application HomeWhiz et rafraîchissez la page après vous être connecté au réseau HomeWhiz.

# 1 Fonctionnement de l'application HomeWhiz

9. Ensuite, Choisissez le réseau domestique (votre box Internet) que vous souhaitez connecter à votre climatiseur, puis saisissez le mot de passe du réseau . Si "aucun réseau domestique n'est trouvé", appuyez sur "rejoindre un autre réseau", écrivez manuellement le "nom du réseau" ainsi que le "mot de passe", puis choisissez la première clé "sécurité" du réseau.
10. Une fois que la connexion entre le climatiseur mobile et votre réseau  domestique (votre box Internet) sélectionné est établie, vous devrez faire de même sur votre téléphone. Si ce dernier n'a pas configuré la connexion automatiquement, vous devez accéder aux paramètres de réseau  sans fil et vous connecter au même réseau que le climatiseur mobile.
11. Dans l'application HomeWhiz, nommez votre climatiseur. Vous pouvez désormais voir l'appareil que vous avez ajouté dans l'onglet « Appareils ».

## 1.2 Installation du climatiseur mobile sur plusieurs téléphones portables

Vous pouvez utiliser plus d'un téléphone pour contrôler votre climatiseur. Cela nécessite l'installation de l'application HomeWhiz également sur le second téléphone. Vous serez invité à vous connecter avec votre compte à l'ouverture de l'application.

Si vous utilisez le même compte avec lequel vous avez ajouté l'appareil, vous pouvez commencer à utiliser et piloter votre climatiseur mobile juste après vous être connecté.

Si vous souhaitez créer et utiliser un nouveau compte avec un climatiseur mobile déjà configuré, veuillez suivre les étapes ci-dessous :

1. Créez un nouveau compte (avec une nouvelle adresse e-mail) pour vous connecter à l'application HomeWhiz. Assurez-vous que votre téléphone portable et votre climatiseur mobile sont sur le même réseau.
2. Dans l'onglet « Appareils », appuyez sur « Ajouter/Supprimer un appareil ». Vous pouvez voir les appareils ainsi que les informations sur le propriétaire au bas de l'onglet « Autres appareils ».
3. Appuyez sur l'icône (+) à côté du climatiseur que vous souhaitez ajouter, puis nommez votre appareil.
4. Cette manipulation envoie un e-mail au propriétaire au sujet de votre demande. Une fois que le propriétaire l'a approuvé, vous pouvez commencer à utiliser et piloter à distance l'appareil tous les deux (depuis les deux téléphones portables).

### Remarque :



Une fois l'installation terminée, votre appareil mobile et votre climatiseur n'ont pas besoin d'être connectés au même réseau. Vous pouvez utiliser votre climatiseur tant que votre téléphone est connecté à Internet.

Pour voir les appareils associés à votre compte, appuyez sur « Ajouter/Supprimer un appareil » dans l'onglet « Appareils » de l'application. Ici, vous pouvez attribuer des appareils aux utilisateurs.

# 1 Fonctionnement de l'application HomeWhiz

## 1.3 Fonctionnalités réalisables avec HomeWhiz

Vous pouvez piloter toutes les options ci-dessous lorsque vous aurez connecté votre climatiseur mobile à l'application HomeWhiz :

**Mode de fonctionnement :** Refroidissement, chauffage, déshumidification, ventilateur

**Température désirée :** Dans la plage de 16-31 °C

**Vitesse de ventilation :** Faible, moyenne, élevée

**Mode Nuit :** Activé/Désactivé

**Oscillation :** Activée/Désactivée

**Programmateur :** Dans la plage de 1h à 24h



### Remarque :

il est également possible de contrôler directement les fonctionnalités du climatiseur à partir du panneau de commande. L'utilisation de l'application HomeWhiz n'est pas obligatoire.

## 1.4 Suppression des paramètres HomeWhiz

Les paramètres HomeWhiz peuvent être supprimés de l'application en suivant les instructions appropriées dans l'application.

### 1.4.1 Dépannage de l'application HomeWhiz

Si vous rencontrez des difficultés pour contrôler ou connecter votre produit, suivez les étapes ci-dessous. Passez à l'étape suivante si celle-ci ne résout pas votre problème.

1. Vérifiez si votre téléphone portable est connecté à Internet.
2. Fermez et relancez l'application HomeWhiz sur votre téléphone portable.
3. Redémarrez votre téléphone portable.
4. Débranchez et rebranchez votre climatiseur mobile.
5. Si vous rencontrez toujours des problèmes de connexion, répétez les paramètres de configuration initiale et essayez d'ajouter de nouveau votre produit.
6. Si le problème persiste, veuillez contacter un fournisseur de services agréé.

# 1 Fonctionnement de l'application HomeWhiz

## 1.5 Fonctionnalités du module de réseau sans fi

Plage de fréquences	2 412 - 2 484 MHz
Puissance de sortie (Max)	IEEE 802.11b : 20 dBm
	IEEE 802.11n : 14 dBm

**Remarque :**

HomeWhiz fonctionne dans la bande de fréquences 2,4 GHz.

## 2

# Synchronisation du climatiseur mobile avec Google Assistant

1. Configurez votre enceinte ou votre écran Google Nest ou Google Home ;

<https://support.google.com/googlenest/answer/7029485>



2. Liez le compte de l'application HomeWhiz à l'application Google Home

Téléchargez l'application Google Home ;

<https://play.google.com/store/apps/details?id=com.google.android.apps.chromecast.app>



- a) Ouvrez l'application Google Home.
  - b) Cliquez sur le bouton **+**.
  - c) Cliquez sur le bouton **Configurer l'appareil**.
  - d) Cliquez sur le bouton **Fonctionne avec Google/Avez-vous déjà configuré quelque chose ?**.
  - e) Sélectionnez HomeWhiz dans la liste des fournisseurs.
  - f) Connectez-vous à HomeWhiz avec les informations de votre compte HomeWhiz. Suivez les étapes intégrées à l'application pour terminer la configuration.
3. Configurez le climatiseur à l'aide de Google Home ;

Si vous avez déjà associé votre compte d'application HomeWhiz à l'application Google Home, vous pouvez continuer avec « Pour l'étape 3 : Définir des pseudonymes pour les appareils » dans le lien de l'assistance Google ;



### Remarque :

il n'est pas indispensable de donner un pseudonyme et de sélectionner une pièce



## Synchronisation du climatiseur mobile avec Google Assistant

<https://support.google.com/googlenest/answer/9159862?hl=en>



Puis passez à l'« Étape 4 : Affectez des appareils à une pièce » dans le lien de l'assistance Google.

### 4. Commandez le climatiseur à l'aide de Google Home

Vous pouvez consulter les commandes vocales de Google Home à partir de ce lien de l'assistance Google.

<https://support.google.com/googlenest/answer/7073578>



En outre, vous pouvez utiliser les commandes suivantes pour commander votre climatiseur :

- « Ok Google, allume le climatiseur ou [nom de l'appareil] »
- « Ok Google, éteins le climatiseur ou [nom de l'appareil] »
- « Ok Google, règle la température du climatiseur ou [nom de l'appareil] sur 21°C »
- « Ok Google, augmente la vitesse du climatiseur ou [nom de l'appareil] »
- « Ok Google, change le mode du climatiseur ou [nom de l'appareil] sur ventilateur »

### 5. Déconnectez les appareils de l'application Google Home

Si vous ne souhaitez plus commander vos appareils domestiques intelligents à l'aide de votre Assistant, vous pouvez déconnecter votre compte.

1. Sur votre appareil mobile, ouvrez l'application Google Home .
2. Sélectionnez votre appareil > **Paramètres**  > **Dissocier** > **Dissocier**.

<https://support.google.com/googlenest/answer/9159862>

### 3

## Synchronisation du climatiseur mobile avec Amazon Alexa

Amazon Echo est une enceinte mains-libres à commande vocale. Elle permet de se connecter au service vocal Alexa, le cerveau d'Echo. Désormais, vous pouvez simplement demander à Alexa de régler la température de la pièce. Pour cela, il vous suffit de prononcer le mot de sortie de veille « Alexa », et Echo réagit.

Arçelik HomeWhiz intègre le contrôle du climatiseur sans fil dans ses appareils domestiques afin de les rendre intelligents et de les doter de la technologie Amazon Alexa. Grâce à la commande vocale, vous pouvez contrôler votre climatiseur et profiter d'un confort à domicile.



#### Remarque :

Amazon Echo peut être optimisé jusqu'au bout à travers le contrôle vocal via l'application Alexa.

### 3.1 Configurez Amazon Echo et activez l'application HomeWhiz

Recherchez l'application « Amazon Alexa » sur Apple Store pour iOS, ou sur Google Play pour Android, et installez-le sur votre appareil.

a) Configuration d'Echo avec l'application Alexa



#### Remarque :

Vous devez acheter un appareil Amazon Echo pour utiliser cette fonctionnalité. Si vous possédez déjà un appareil Echo configuré, alors vous pouvez ignorer cette étape.

- Branchez votre appareil Echo (Echo, Echo Tap ou Echo Dot) sur une prise d'alimentation et mettez-le en marche.
- Assurez-vous que votre appareil Echo est sous tension.
- Activez l'application Alexa en touchant son icône sur votre appareil mobile.
- Ouvrez un compte Amazon gratuit, si vous n'en disposez pas encore. Si vous en avez déjà, saisissez votre compte et votre mot de passe Amazon, puis touchez « S'inscrire ».
- Sélectionnez l'option « Menu » située dans le coin supérieur gauche, puis « Réglages ». Touchez ensuite « DÉFINIR COMME NOUVEL APPAREIL ».
- Sélectionnez votre appareil Echo, ainsi que la langue désirée, puis touchez « CONNEXION AU RÉSEAU SANS FIL ».
- Appuyez longuement le bouton en point situé dans la partie supérieure de votre appareil Echo jusqu'à ce que le témoin orange s'allume, puis touchez « CONTINUER ». Lorsque votre appareil est connecté à Echo, touchez « CONTINUER ».

### 3

## Synchronisation du climatiseur mobile avec Amazon Alexa

- Sélectionnez un réseau sans fil pour permettre à Echo d'accéder à Internet. Saisissez le mot de passe du réseau sans fil, puis touchez « SE CONNECTER ». La connexion d'Echo au réseau peut durer plusieurs minutes.
- Touchez « CONTINUER » lorsque Echo est connecté au réseau. Après la vidéo d'introduction, touchez « SUIVANT » pour terminer la configuration.

Pour consulter les instructions de configuration d'Echo, vous pouvez toucher le lien « Configuration d'Echo » sur la page « Support pour Amazon Echo ».

Page « Support pour Amazon Echo » ;

<https://www.amazon.com/gp/help/customer/display.html?nodeId=201399130>



b) Liaison du compte de votre application HomeWhiz avec l'application Alexa

Sélectionnez l'option « Menu » située dans le coin supérieur gauche, puis « Compétences ». Ensuite, recherchez « HomeWhiz » dans la barre de recherche.

Sélectionnez « HomeWhiz » et touchez « ACTIVER » pour activer la compétence.

## 3 Synchronisation du climatiseur mobile avec Amazon Alexa

Vous serez redirigé vers la page comportant le lien du compte.

Saisissez votre compte et votre mot de passe HomeWhiz, puis touchez « Lier maintenant » ou « S'inscrire » pour lier votre compte HomeWhiz.



**Remarque :**

Le pays, le compte et le mot de passe doivent exactement être ceux définis à l'étape 2.

### 3.2 Contrôle du climatiseur via Amazon Echo

a) Présentation du climatiseur

Echo doit rechercher et trouver vos appareils intelligents afin de pouvoir les contrôler.

Dites « Alexa, recherche des appareils » à Echo. Echo recherchera et trouvera les appareils préalablement ajoutés à l'application HomeWhiz.

Vous pouvez également sélectionner l'option « Maison intelligente » dans le « Menu », puis toucher « RECHERCHER » pour rechercher des appareils intelligents. Les appareils disponibles s'affichent dans une liste.



**Remarque :**

Chaque fois que vous renommez l'appareil dans l'application HomeWhiz, vous devez reprendre la recherche des appareils sur Echo afin de pouvoir les contrôler.

b) Contrôle du climatiseur via les commandes vocales

Supposons que vous possédez dans votre salon un climatiseur à commande sans fil compatible Alexa, dénommé « climatiseur ».

Donnez simplement à Alexa les instructions ci-dessous :

« Alexa, règle la température du climatiseur ou [nom de l'appareil] sur 21°C »

« Alexa, augmente la vitesse du climatiseur ou [nom de l'appareil] »

« Alexa, change le mode du climatiseur ou [nom de l'appareil] sur ventilateur »

« Alexa, allume le climatiseur ou [nom de l'appareil] »

« Alexa, arrête le climatiseur ou [nom de l'appareil] »

« Alexa, sur quel mode est réglé le climatiseur ou [nom de l'appareil] ? »

