

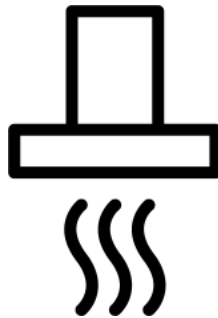
beko

Hood

User Manual

Hotte

Manuel d'utilisation



BHCA96741BBDXHS

185732287/ EN/ FR/ R.AA/ 03/12/2022 12:01
7705331206

Welcome!

Dear Customer,

Thank you for choosing the Beko product. We want your product, manufactured with high quality and technology, to offer you the best efficiency. Therefore, carefully read this manual and any other documentation provided before using the product.

Keep in mind all the information and warnings stated in the user's manual. This way, you will protect yourself and your product against the dangers that may occur.

Keep the user's manual. If you give the product to someone else, give the manual with it. The warranty conditions, usage and troubleshooting methods for your product are provided in this manual.

The symbols and their descriptions in the user's manual:



Hazard that may result in death or injury.



Important information or useful usage tips.



Read the user's manual.



Hot surface warning.

NOTICE Hazard that may result in material damage to the product or its environment.

Arçelik A.Ş.

Karaağaç caddesi No:2-6
34445 Sütlüce/İstanbul/TURKEY

Made in TURKEY

Table of Contents

1	Safety Instructions.....	4
1.1	General Safety.....	4
1.2	Electrical Safety.....	5
1.3	Product Safety.....	6
1.4	Intended Use.....	8
1.5	Child, Vulnerable Persons and Pet Safety.....	8
1.6	Transportation Safety.....	8
2	Environmental Instructions.....	9
2.1	Waste Directive.....	9
2.1.1	Compliance with the WEEE Dir- ective and Disposing of the Waste Product.....	9
2.2	Package Information.....	9
3	Your product.....	10
3.1	Product Introduction.....	10
3.2	Product Accessories.....	10
3.3	Technical Specifications.....	12
4	Using the Hood.....	13
5	Maintenance and Cleaning.....	16
5.1	General Cleaning Information.....	16
5.2	Aluminium Filter.....	16
5.3	Hood Lamp.....	17
5.4	Carbon Filter (Usage without a flue).....	17
6	Troubleshooting.....	17



1 Safety Instructions

- This section includes the safety instructions necessary to prevent the risk of personal injury or material damage.
- If the product is handed over to someone else for personal use or second-hand use purposes, the user's manual, product labels and other relevant documents and parts should also be given.
- Our company shall not be held responsible for damages that may occur if these instructions are not observed.
- Failure to follow these instructions shall void any warranty.
- Always have the installation and repair works made by the manufacturer, the authorised service or a person that the importer company shall designate.
- Use original spare parts and accessories only.
- Do not repair or replace any component of the product unless it is clearly specified in the user's manual.
- Do not make technical modifications on the product.



1.1 General Safety

- This product can be used by children 8 years of age and older, and people who are underdeveloped in physical, sensory or mental skills, or who have lack of experience and knowledge, as long as they are supervised or trained about the safe use and hazards of the product. Children should not play with the appliance. Cleaning and user maintenance must not be made by children without supervision.
- **Poisoning Danger!** While the appliance is operating, air is drawn from the whole house. If adequate ventilation is not provided, air flow occurs and the waste and toxic gases released as a result of combustion in the house are reabsorbed. Do not operate the product together with products that provide air circulation and may emit toxic gas (wood, gas, oil and coal stoves, boilers, water heaters, etc.).
- Have the adequacy of your building's ventilation and flue system checked by authorized persons.

- This product is not intended for use by persons (including children) with limited physical, sensory or mental capacity or without knowledge or experience, unless supervised or instructed by the individual responsible for their safety. Children should be supervised to ensure that they do not play with the product. Cleaning and user maintenance must not be made by children without supervision.
- Installation and repair procedures must always be performed by **Authorised Service Agents**. The manufacturer cannot be held responsible for any damages that may arise due to operations made by unauthorized persons.
- Do not operate the product if it is defective or has any visible damage.
- Ensure that the product function knobs are switched off after every use.
- If the product is handed over to someone else for personal use or second-hand use purposes, the user's manual, product labels and other relevant documents and parts should also be given.
- Call the authorized service for the installation of the product to be used. The warranty term starts after this process.
- Product must be installed by a qualified person in accordance with the regulations in force for the warranty to be applicable.



1.2 Electrical Safety

- To have your product ready for use, first provide the place of installation and have the electrical installation made. Then, call the nearest Authorised Service.
- If the product has a failure, it should not be operated unless it is repaired by an Authorised Service Agent. There is the risk of electric shock!
- Do not plug your hood in until it is mounted.
- If your product has plug, never touch the plug with wet hands! Never unplug by pulling on the cable, always pull out by holding the plug.
- The appliance power should be cut off during installation, maintenance, cleaning and repair processes.
- In order to prevent any hazard from occurring, in case of damage, the electrical cable must be replaced by the man-

ufacturer, the manufacturer's service centre or a similar qualified person.

- If the cable is damaged, contact our nearest service centre and have a new one installed.
- If your product has plug, do not make electrical connections by disconnecting the plug during installation. Connections made by cutting off render the product warranty void and pose a danger to user safety.
- Do not install the mains cord near the heaters. The cable might melt, causing a fire.
- If your product does not have a cable, only use the connecting cable described in the "Technical specifications" section.
- Any work on electrical equipment and systems should only be carried out by authorised and qualified persons.
- In case of any damage, switch off the product and disconnect it from the mains. To do this, turn off the fuse at home.
- Make sure that fuse rating is compatible with the product.
- Never wash the appliance by spraying or pouring water on it! There is the risk of electric shock!

1.3 Product Safety

- Height between the bottom surface of your hood and the top surface of the oven should be no less than 650 mm for gas ovens and 500 mm for electrical ovens.
- (For Model B-C) In electrical ovens, the highest performance in the product is achieved by leaving a height of 550 mm.
- Do not touch the lamps of your hood after operating the hood for a long time. Hot lamps may burn your hand.
- Do not operate the appliance without an oil entrapment filter. Do not remove the filters while the appliance is operating.
- Do not create a high flame under the product. Otherwise, the oil in the oil trap filter may ignite, causing a fire.
- Run the product after placing the cooking pots, pans, etc. on the ovens. Otherwise, rising heat may deform some parts of your product.
- Turn off the oven before taking the cooking pots, pans, etc. from the ovens.
- Do not keep easily flammable materials under your hood.

- Do not expose the appliance to open flame. It may cause the oil accumulating in the filter to catch fire. Do not operate the appliance without a filter.
- Do not leave your cooker unattended while cooking fried foods, oils may catch fire while cooking, and hot oil may cause fire. Therefore pay attention to the clothes and curtains.
- If cleaning is not performed in a timely manner, the hood may present a risk of fire.
- (For Models A and B) Run your hood for another 15 minutes after the cooking or frying process to clean the kitchen air thoroughly of the odours and vapours generated during cooking.
- Adequate ventilation must be available in the room when gas or other fuel-burning appliances are used at the same time while the oven hood with a cooker is being used. (Not applicable for only the appliances that discharge air back into the room).
- Gas or fuel oil burning appliances, such as room heaters, which share the same environment with the hood, must be fully insulated from the exhaust of this product or they must be hermetical.
- If there is another appliance operating with fuel oil or gaseous fuels in the environment, adequate ventilation of the environment is required.
- If there is another appliance operating with energy other than electrical energy in the same environment with the hood, the negative pressure in the room should be at most 0.04 mbar so that the exhaust of the other appliance is not drawn back into the room by the hood.
- Do not connect to flues with heating stove connection, flues where waste gas is disposed from or flues with rising flames. Comply with local regulations on purging the out-flow.
- Use pipes with a diameter of 120 mm when connecting a flue to your product. The pipe connection should be as short as possible and with few bends.
- Easily flammable and combustible materials should not be hung on the hood handles.

- Our company shall not be responsible for problems that arise for not observing any of the warnings above.
- There is a risk of fire if cleaning is not carried out in accordance with the instructions.
- There should not be open fire under the hood. (for example: flambe)
- **Caution:** Accessible parts can heat up when used with a cooker.
- It is recommended to clean the filter once a month under normal usage.

1.4 Intended Use

- This product is designed for home use. Commercial use will void the guarantee.
- The manufacturer assumes no responsibility for any damage due to misuse or mishandling.
- The service life of the product you have purchased is 10 years. Manufacturer shall provide the required spare parts for the product to perform as defined during this period.

1.5 Child, Vulnerable Persons and Pet Safety

- Keep children away from the product when it is running.
- Children should not play with the product. Cleaning and user maintenance should not be performed by children unless there is someone overseeing them.
- This product should not be used by people with limited physical, sensory or mental capacity (including children), unless they are kept under supervision or receive the necessary instructions.
- The packaging materials are dangerous for children. Keep the packaging materials out of the reach of children or sort them into waste according to waste instructions.
- Electrical products are dangerous for children and pets. Keep children away from the product while it is operated and do not let them play with the product.

1.6 Transportation Safety

- Disconnect the product from the mains before transporting the product.

- Do not put other items on the product and carry the product upright.
- When you need to transport the product, wrap it with bubble wrap packaging material or thick cardboard and tape it tightly. Secure the product tightly with tape to prevent the removable or moving parts of the product and the product from getting damaged.
- Check the overall appearance of the product for any damage that may have occurred during transportation.

2 Environmental Instructions

2.1 Waste Directive

2.1.1 Compliance with the WEEE Directive and Disposing of the Waste Product

This product complies with EU WEEE Directive (2012/19/EU). This product bears a classification symbol for waste electrical and electronic equipment (WEEE).



This product has been manufactured with high quality parts and materials which can be re-used and are suitable for recycling. Therefore, do not dispose of the waste product with normal domestic and other wastes at the end of its service life. Take it to a collection point for the recycling of electrical and electronic equipment. You can ask your

local administration about these collection points. Disposing of the appliance properly helps prevent negative consequences for the environment and human health.

Compliance with RoHS Directive:

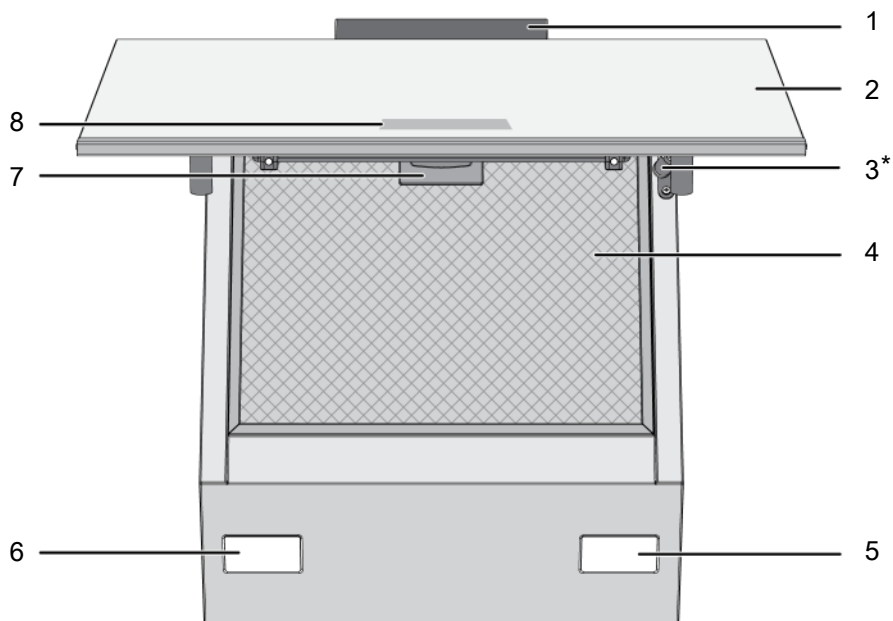
The product you have purchased complies with EU RoHS Directive (2011/65/EU). It does not contain harmful and prohibited materials specified in the Directive.

2.2 Package Information

Packaging materials of the product are manufactured from recyclable materials in accordance with our National Environment Regulations. Do not dispose of the packaging waste with the household or other wastes, take it to the packaging material collection points designated by the local authorities.

3 Your product

3.1 Product Introduction



1 Hood body

3 Damper

5 Lamp

7 Aluminium filter lock

2 Hood glass lid

4 Aluminium filter

6 Lamp

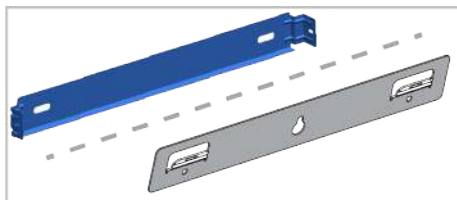
8 Control panel

* Dependent on the model. It may not be available on your product.

3.2 Product Accessories

Depending on the product model, the supplied accessory varies. All accessories described in the user's manual may not be available in your product.

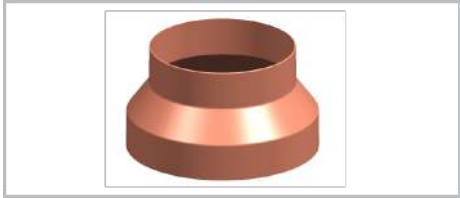
Wall mounting part



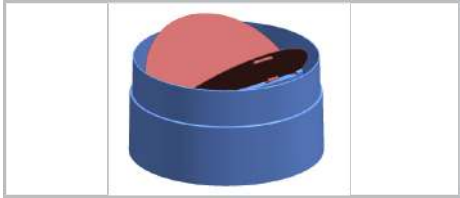
Air router



Flue connection adapter



Covers to prevent reverse airflow



3.3 Technical Specifications

Product external dimensions (height/width/depth) (mm)	min. 910 - max. 1138 /895 /419
Voltage/Frequency	220-240 V ~1N; 50 Hz
Total power consumption	max. 300 W
Suction power	700-720 m3/h
Diameter of air outlet pipe	120-150 mm

Control	
Model A	3 levels
Model B	3 levels + 1 booster
Model C	3 levels + 1 booster



Technical specifications may be changed without prior notice to improve the quality of the product.



Figures in this manual are schematic and may not exactly match your product.



Values stated on the product labels or in the documentation accompanying it are obtained in laboratory conditions in accordance with relevant standards. Depending on operational and environmental conditions of the product, these values may vary.

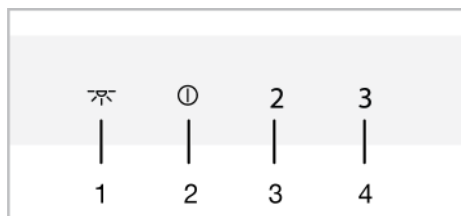
4 Using the Hood

The hood has an engine with various speeds. For a good performance, we recommend using low speeds under normal conditions and high speeds in case of strong odour and vapour condensation.



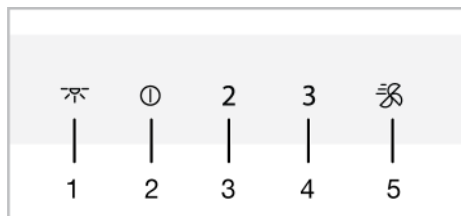
The program is cancelled if power is cut when any program in your hood is active.

MODEL A



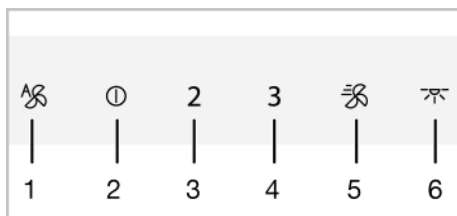
- 1 Lamp key
- 2 On-Off/Speed 1 key
- 3 Speed 2 key
- 4 Speed 3 key

MODEL B



- 1 Lamp key
- 2 On-Off/Speed 1 key
- 3 Speed 2 key
- 4 Speed 3 key
- 5 Booster key

MODEL C



- 1 Automatic mode key
- 2 On-Off/Speed 1 key
- 3 Speed 2 key
- 4 Speed 3 key
- 5 Booster key
- 6 Lamp key

Operating the hood

1. Touch the speed level key you have selected to operate the hood.
 - ⇒ The set speed level key lights up.
2. You can touch the other speed level keys to change the speed level.



When in operation, the product will run for a maximum of 6 hours if no key is touched.

Turning off the hood

1. To turn the hood off, touch again the key of the level on which the hood is operating or the power key.



If you touch the power key with any function active except the lamp, then the function is cancelled.



Turning on the intensive ventilation mode (Booster) (for models B and C)

1. Press the fan key once to start the hood in the intensive ventilation mode.
 - ⇒ The intensive ventilation mode starts up and runs for a maximum of 10 minutes. During this time, the fan key lights up. After 10 minutes, the product continues to operate in Speed 3 and the Speed 3 key lights up.



In intensive ventilation mode, when any speed key is touched, it returns to that speed level and continues to operate.


Operating the lamp

1. Touch the  key to operate the lamp.
 - ⇒ Hood lamp lights. (For Models B and C) If you touch the  key again within the first 1 minute, the lamp will continue to light at the low illumination level. If you touch it again 1 minute after turning the lamp on, it turns off.




The illumination lamps operate for a maximum of 12 hours.

Turning off the lamp




1. One minute after turning the hood lamp on, you can turn it off by touching the  key again.



(For Models B and C) If you touch the  key again within the first 1 minute after the lamp is switched on, the lamp switches to the low illumination level.

Setting the lamp illumination colour (for models B and C)

You can use the colour of your hood's illumination lamps in 3 different shades.

1. With the hood lamp turned on, touch  key for more than 2 seconds.
 - ⇒ The lamp changes to the other colour shade.
2. If you continue to touch the  key, it will change to the next colour shade after every 2 seconds. According to the desired colour shade, stop touching  key when the lamp is in that colour shade. The colour shade will automatically activate.




You can only change the light colour shade while the lamp has high light intensity.



In the event of a power outage, your hood will remember the colour shade set and the lamp will work in the colour that was last set.


Automatic mode (for model C)

Your hood measures the temperature of the air in the kitchen and the air coming from your hob by using a sensor. In automatic mode, it determines the required levels for the temperature of the air from the hob to match the temperature of the air in the kitchen and operates at levels determined automatically.

1. To enable the automatic mode touch the  key.
 - ⇒ The automatic mode is activated and operates until the temperature of the air from the hob equals the ambient temperature. It will switch off automatically when the temperature equalizes. You must enable automatic mode again to re-switch it on.





While automatic mode is active, automatic mode will be cancelled when you turn the product on and off at any speed.

2. To turn automatic mode off early touch the  key once more.



If you open the cover of the product when auto mode is on, its performance will decrease. Do not open the cover when the automatic mode is active.


 If the ambient temperature difference occurs even when the hob is not operating while the automatic mode is active, the temperature sensor in the product will detect the difference and the product may start operating at Speed 2 or 3 depending on the difference. In this case, automatic mode will be turned off when the temperature difference is equalized.

 Do not use automatic mode when your hob is not working.

Air cleaning mode (for models B and C)


You can use air cleaning mode to eliminate the odour in your house during a long time at low level.


1. Touch the Speed 1 key for more than 3 seconds.
 - ⇒ Air cleaning mode is activated. The light of the Speed 1 key flashes when the air cleaning mode is active.
2. The air cleaning mode will operate at Speed 1 for 10 minutes in 1 hour and will stop for 50 minutes. If you do not switch off the air cleaning mode, it will remain in operation for 10 minutes, then stop for 50 minutes in each hour for 24 hours.


 When air cleaning mode is active, it is automatically cancelled at the touch of any key except lamp key. Your hood continues to operate at the function of the key you touch.

Aluminium filter fill warning

The light of Speed 2 key flashes after every 100 hours of operation. In this case, you must clean your aluminium filter. After cleaning, the lamp warning of Speed 2 key does not turn off automatically. When you touch the Speed 2 key for more than 3 seconds, aluminium filter fill warning is reset and the lamp is turned off.


 The warning is not cancelled if the power is cut when the hood gives aluminium filter fill warning. When the power is available, it continues to warn with the light of Speed 2 key flashing.


 If you run your hood at any speed level with the aluminium filter fill warning, the warning will not appear for as long as the hood is running. When you turn off the hood, the fill warning starts flashing again.

 If you turn off the warning without cleaning the aluminium filter, the operating time of 100 hours is reset and it starts over. At the end of the next 100 hours, your hood warns again.

Carbon filter fill warning (for products with carbon filter)

The light of Speed 2 key flashes after every 100 hours of operation. In this case, you must replace your carbon filter. Consult an authorized service for this. After replacement, the lamp warning of Speed 2 key does not turn off automatically. When you touch the Speed 2 key for more than 3 seconds, carbon filter fill warning is reset and the lamp is turned off.

 The warning is not cancelled if the power is cut when the hood gives carbon filter fill warning. When the power is available, it continues to warn with the light of Speed 2 key flashing.

 If you run your hood at any speed level with the carbon filter fill warning, the warning will not appear for as long as the hood is running. When you turn off the hood, the fill warning starts flashing again.



If you turn off the warning without replacing the carbon filter, the operating time of 100 hours is reset and it starts over. At the end of the next 100 hours, warning is given again.

5 Maintenance and Cleaning

5.1 General Cleaning Information

General warnings

- Service life of the product extends and frequently faced problems decrease if cleaned at regular intervals.
- Disconnect the product from the electrical connection before starting maintenance and cleaning operations. There is an electric shock hazard!
- Some detergents or cleaning agents may cause damage to the surface. Do not use abrasive detergents, cleaning powders, cleaning creams or sharp objects during cleaning.
- Do not use steam cleaning products for cleaning.

Product cleaning

- The product should be thoroughly cleaned after each use. Thus, food residues are easily cleaned and these residues are prevented from burning when the product is used again later.
- No special cleaning agent is required for cleaning the product. Clean the product using dishwashing detergent, warm water and a soft cloth or sponge and dry it with a dry cloth.
- Do not use acid or chlorine-containing cleaning agents to clean stainless or inox surfaces and handles. Clean with a soft soapy cloth and liquid (non-scratching) detergent, taking care to wipe in one direction.
- There are sensors in the backside of the product's glass cover. Do not damage these sensors during cleaning. (For model C)

5.2 Aluminium Filter

This filter serves to retain oil particles in the air. **It is recommended to clean the filter once a month under normal usage.** To achieve this:

1. Remove the aluminium filters.
2. Wash the filters in water using liquid detergent and reinstall after drying.

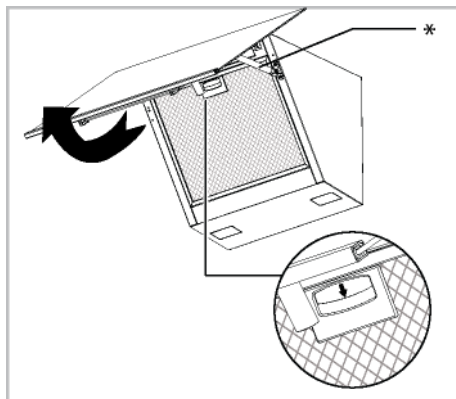
Aluminium filters may change colour as they are washed; this is normal and does not require replacing your filters.



You can also wash the aluminium filter in the washing machine. (max. 70 °C)

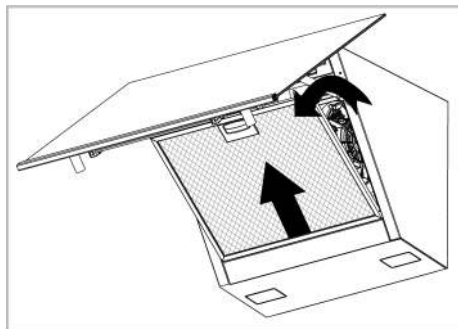
Removing aluminium filters

1. Open hood cover upwards and pull aluminium filter lock downwards as shown in the figure.



* Silencer is optional. It may not be available on your product.

2. Gently pull the filter towards you first and pull it upwards to remove it from its slot.



3. Reinstall the aluminium filter in its slot after flushing by following the above steps in reverse.

5.3 Hood Lamp

In the event of a lamp malfunction in the hood, contact your local dealer or the Customer Service, and ensure that the lamp is replaced.

5.4 Carbon Filter (Usage without a flue)

General warnings

- If you have installed your product without a flue, you should replace your carbon filters every 4 months in normal use. You can obtain the carbon filter from Authorized Services.
- The carbon filter should never be washed.

6 Troubleshooting

If the problem persists after following the instructions in this section, contact your vendor or an Authorized Service. Never try to repair your product yourself.

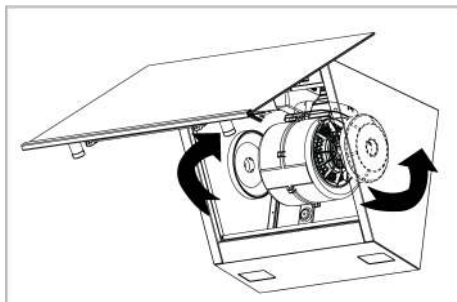
Product is not working.

- Fuse may be faulty or blown. >>> Check the fuses in the fuse box. Change them if necessary or reactivate them.

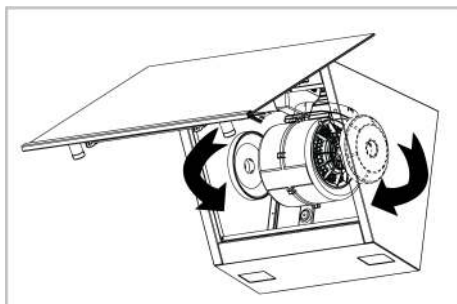
- If you do not follow the rules for cleaning and replacing the filters of your hood, you may cause a fire.

Removing carbon filters

1. Open the glass cover of the hood and remove the aluminium filter.
2. Unscrew the carbon filters on the right and left of the motor holder.



3. Place the lug slots of your new carbon filters into the lugs on the motor holder and turn them clockwise to snap them into place.



4. Close the hood glass cover after installing the aluminium filter.

- The product may not be plugged in. >>> Check if the product is plugged in to the outlet or not.
- The speed button may not be set. >>> Press/touch the desired speed button.
- There may be no electricity. >>> Ensure the mains is operational and check the fuses in the fuse box. Change the fuses if necessary or reactivate them.

Hood light is not on.

- Hood lamp may be faulty. >>> Contact your local dealer where you purchased your product or the Customer Service, and ensure that the lamp is replaced.
- There may be no electricity. >>> Ensure the mains is operational and check the fuses in the fuse box. Change the fuses if necessary or reactivate them.

Bienvenue !

Cher client, chère cliente

Nous vous remercions d'avoir choisi l'appareil Beko . Nous voulons que votre appareil de haute qualité et doté d'une technologie de pointe vous offre une efficacité optimale. Pour ce faire, lisez attentivement ce manuel et tout autre document fourni avant d'utiliser l'appareil.

Tenez compte de toutes les informations et avertissements figurant dans le manuel d'utilisation. Ainsi, vous vous protégez, vous et votre produit, contre d'éventuels dangers.

Conservez le manuel d'utilisation. Si vous donnez l'appareil à quelqu'un d'autre, donnez également le manuel. Les conditions de garantie, les méthodes d'utilisation et de dépannage de votre appareil sont indiquées dans ce manuel.

Les symboles et leurs descriptions dans le manuel de l'utilisateur :



Danger pouvant entraîner la mort ou des blessures.



Informations importantes et conseils d'utilisation utiles.



Lisez le manuel d'utilisation.



Attention aux surfaces chaudes.

**RE-
MARQUE**

Danger pouvant entraîner des dommages matériels à l'appareil ou à son environnement.

Arçelik A.Ş.

Karaağaç caddesi No:2-6
34445 Sütlüce/Istanbul/TURKEY

Made in TURKEY

Table des matières

1	Consignes de sécurité.....	22
1.1	Consignes de sécurité générales.....	22
1.2	Sécurité électrique.....	23
1.3	Sécurité de l'appareil.....	24
1.4	Utilisation prévue.....	27
1.5	Sécurité des enfants, des personnes vulnérables et des animaux domestiques.....	27
1.6	Sécurité des transports.....	27
2	Instructions relatives à l'environnement.....	28
2.1	Directive sur les déchets.....	28
2.1.1	Conformité avec la directive DEEE et élimination des déchets.....	28
2.2	Informations sur l'emballage.....	28
3	Votre appareil.....	29
3.1	Présentation de l'appareil.....	29
3.2	Accessoires de l'appareil.....	29
3.3	Spécifications techniques.....	31
4	Utilisation de la hotte.....	32
5	Entretien et nettoyage.....	35
5.1	Consignes de nettoyage générales.....	35
5.2	Filtre en aluminium.....	36
5.3	Lampe de la hotte.....	36
5.4	Filtre à charbon (utilisation sans conduit de fumée).....	37
6	Dépannage.....	37

1 Consignes de sécurité

- Cette section contient les instructions de sécurité nécessaires à la prévention des risques de dommage corporel ou de dommage matériel.
 - Si l'appareil est remis à une autre personne pour un usage personnel ou à des fins d'utilisation d'occasion, le manuel d'utilisation, les étiquettes de l'appareil et les autres documents et pièces pertinents doivent également être remis.
 - Notre entreprise ne peut être tenue pour responsable des dommages qui peuvent se produire si ces instructions ne sont pas respectées.
 - Le non-respect de ces instructions annule toute garantie.
 - Faites toujours effectuer les travaux d'installation et de réparation par le fabricant, le service agréé ou une personne que l'entreprise importatrice désignera.
 - Utilisez uniquement des pièces d'origine et des accessoires d'origine.
 - Évitez de réparer ou de remplacer tout composant de l'appareil sauf si cela est clairement spécifié dans le manuel d'utilisation.
 - N'apportez pas de modifications techniques au produit.
- ### 1.1 Consignes de sécurité générales
- Cet appareil peut être utilisé par des enfants de 8 ans et plus et par des personnes dont les aptitudes physiques, sensorielles ou mentales sont sous-développées, ou qui manquent d'expérience et de connaissances, à condition qu'ils soient encadrés ou formés à l'utilisation sécuritaire et aux dangers de l'appareil. Les enfants ne doivent pas jouer avec l'appareil. Le nettoyage et l'entretien par l'utilisateur ne doivent pas être effectués par les enfants sans surveillance.
 - **Danger d'empoisonnement !** Pendant que l'appareil fonctionne, l'air est aspiré dans toute la maison. Si la ventilation n'est pas suffisante, le flux d'air, les déchets et les gaz toxiques libérés par la combustion dans la maison sont réabsorbés. Ne faites pas fonctionner l'appareil avec des appareils qui assurent la circulation de l'air et qui peuvent émettre des gaz toxiques

(bois, gaz, poêle à pétrole à charbon, chaudières, chauffe-eau, etc.)

- Faites vérifier l'adéquation du système de ventilation et de cheminée de votre bâtiment par des personnes agréées.
- Cet appareil n'est pas destiné à être utilisé par des personnes (y compris des enfants) dont les capacités physiques, sensorielles ou mentales sont limitées ou qui n'ont pas de connaissances ou d'expérience, à moins qu'elles ne soient supervisées ou instruites par la personne responsable de leur sécurité. Les enfants doivent être surveillés afin de s'assurer qu'ils ne jouent pas avec l'appareil. Le nettoyage et l'entretien par l'utilisateur ne doivent pas être effectués par les enfants sans surveillance.
- Les procédures d'installation et de réparation doivent être effectuées par des agents de service agréés. Le fabricant ne peut être tenu responsable des dommages qui pourraient survenir en raison d'opérations effectuées par des personnes non autorisées.
- N'utilisez pas l'appareil s'il est défectueux ou présente des dommages visibles.
- Assurez-vous que les boutons de fonction de l'appareil sont éteints après chaque utilisation.
- Si l'appareil est remis à une autre personne pour un usage personnel ou à des fins d'utilisation d'occasion, le manuel d'utilisation, les étiquettes de l'appareil et les autres documents et pièces pertinents doivent également être remis.
- Appelez le service autorisé pour l'installation de l'appareil à utiliser. La durée de la garantie commence après ce processus.
- L'appareil doit être installé par une personne qualifiée conformément à la réglementation en vigueur pour que la garantie s'applique.



1.2 Sécurité électrique

- Pour que votre appareil soit prêt à l'emploi, il faut premièrement indiquer le lieu d'installation et faire réaliser l'installation électrique. Appelez ensuite le service agréé le plus proche.
- En cas de panne, n'utilisez pas l'appareil jusqu'à ce qu'il soit réparé par un agent de service agréé. Il existe un risque d'électrocution !

- Ne branchez pas votre hotte avant qu'elle ne soit montée.
- Si votre appareil est équipé d'une fiche, ne touchez jamais la fiche avec des mains mouillées ! Ne la débranchez jamais en tirant le cordon. Veuillez toujours tenir à partir de la fiche.
- L'alimentation de l'appareil doit être coupée pendant les processus d'installation, d'entretien, de nettoyage et de réparation.
- Afin d'éviter tout danger, en cas de dommage, le câble électrique doit être remplacé par le fabricant, le centre de service du fabricant ou une personne qualifiée similaire.
- Si le câble est endommagé, contactez le centre de service le plus proche et faites-en installer un nouveau.
- Si votre appareil est équipé d'une fiche, n'effectuez pas de connexions électriques en débranchant la fiche pendant l'installation. Les connexions réalisées par coupure rendent la garantie du produit nulle et constituent un danger pour la sécurité de l'utilisateur.
- N'installez pas le cordon d'alimentation à proximité des appareils de chauffage. Le câble pourrait fondre et provoquer un incendie.
- Si votre appareil n'est pas équipé d'un câble, utilisez uniquement le câble de connexion décrit dans la section "Spécifications techniques".
- Tout travail sur les équipements et les systèmes électriques doit être effectué uniquement par des personnes autorisées et qualifiées.
- Éteignez l'appareil et débranchez-le du secteur en cas de dommage. Pour ce faire, il faut éteindre le fusible à la maison.
- Assurez-vous que le calibre du fusible soit compatible avec le l'appareil.
- Ne lavez jamais l'appareil par pulvérisation ou aspersion d'eau ! Il existe un risque d'électrocution !



1.3 Sécurité de l'appareil

- La hauteur entre la surface inférieure de votre hotte et la surface supérieure du four ne doit pas être inférieure à 650

- mm pour fours à gaz à 500 mm 500 mm pour les fours électriques.
- (Pour le modèle B-C) Dans les fours électriques, la performance la plus élevée de l'appareil est obtenue en laissant une hauteur de 550 mm.
 - Ne touchez pas les lampes de votre hotte après avoir utilisé la hotte pendant une longue période. Sinon, vous risquez de vous brûler la main.
 - Ne faites pas fonctionner l'appareil sans avoir lu ce manuel. Ne retirez pas les filtres lorsque l'appareil est en marche.
 - Ne créez pas de flamme vive sous l'appareil. Sinon, l'huile contenue dans le filtre du piège à huile peut s'enflammer et provoquer un incendie.
 - Faites fonctionner l'appareil après avoir placé les casseroles, poêles, etc. sur les fours. Sinon, la chaleur croissante peut déformer certaines parties de votre appareil.
 - Éteignez le four avant de retirer les casseroles, poêles, etc. des fours.
 - Ne gardez pas de matériaux facilement inflammables sous votre hotte.
 - N'exposez pas l'appareil à une flamme nue. Cela peut provoquer un incendie de l'huile qui s'accumule dans le filtre. Ne faites pas fonctionner l'appareil sans filtre.
 - Ne laissez pas votre cuisinière sans surveillance lorsque vous faites cuire des aliments frits, les huiles peuvent prendre feu pendant la cuisson et l'huile chaude peut provoquer un incendie. Faites donc attention aux vêtements et aux rideaux.
 - Si le nettoyage n'est pas effectué en temps voulu, la hotte peut présenter un risque d'incendie.
 - (Pour les modèles A et B) Faites fonctionner votre hotte pendant encore 15 minutes après le processus de cuisson ou de friture pour nettoyer complètement l'air de la cuisine des odeurs et des vapeurs générées pendant la cuisson.
 - Une ventilation adéquate doit être disponible dans la pièce lorsque des appareils à gaz ou autres appareils à combustible sont utilisés en même temps que la hotte avec cuisinière. (Ne s'applique pas seulement aux appareils qui rejettent l'air dans la pièce).

- Les appareils fonctionnant au gaz ou au fioul, tels que les chauffages d'appoint, qui partagent le même environnement que la hotte, doivent être entièrement isolés de l'échappement de ce produit ou ils doivent être hermétiques.
- Si un autre appareil fonctionnant au fioul ou aux combustibles gazeux se trouve dans l'environnement, une ventilation adéquate de l'environnement est nécessaire.
- Si un autre appareil fonctionnant avec une énergie autre qu'électrique se trouve dans le même environnement avec ventilation, la pression négative dans la pièce doit être au maximum de 0,04 mbar afin que les gaz d'échappement de l'autre appareil ne soient pas aspirés dans la pièce par la ventilation.
- Ne raccordez pas aux conduits d'évacuation des gaz de combustion, aux conduits d'évacuation des gaz résiduels ou aux conduits d'évacuation des flammes. Respectez les réglementations locales en matière de purge de l'écoulement.
- Utilisez des tuyaux d'un diamètre de 120 mm pour raccorder un conduit de fumée à votre appareil. Le raccordement des tuyaux doit être aussi court que possible et comporter peu de coudes.
- Les matériaux facilement inflammables et combustibles ne doivent pas être accrochés aux poignées de la hotte.
- Notre entreprise ne sera pas responsable des problèmes qui surviennent en cas de non-respect des avertissements ci-dessus.
- Il existe un risque d'incendie si le nettoyage n'est pas effectué conformément aux instructions.
- Il ne doit pas y avoir de feu ouvert sous le capot. (par exemple : flambé)
- **Mise en garde** : Les parties accessibles peuvent chauffer lorsqu'elles sont utilisées avec une cuisinière.
- Il est recommandé de nettoyer le filtre une fois par mois dans des conditions normales d'utilisation.

1.4 Utilisation prévue

- Ce produit est conçu pour un usage domestique. Une utilisation à des fins commerciales annule la garantie.
- Le fabricant n'assume aucune responsabilité pour tout dommage dû à une mauvaise utilisation ou à une mauvaise manipulation.
- La durée de vie de l'appareil que vous avez acheté est de 10 ans. Le fabricant doit fournir les pièces de rechange requises pour que le produit fonctionne de la façon définie pendant cette période.

1.5 Sécurité des en-

fants, des personnes vulnérables et des animaux domestiques

- Tenez les enfants à l'écart de l'appareil lors de son fonctionnement.
- Les enfants ne doivent pas jouer avec l'appareil. Ne laissez pas les enfants effectuer le nettoyage et l'entretien de l'appareil, à moins qu'ils soient sous surveillance.
- Cet appareil ne doit pas être utilisé par des personnes ayant des capacités physiques, sensorielles ou mentales limitées (y compris les

enfants), sauf si elles sont gardées sous surveillance ou reçoivent les instructions nécessaires.

- Les matériaux d'emballage sont dangereux pour les enfants. Conservez les matériaux d'emballage hors de portée des enfants ou triez-les dans les déchets conformément aux instructions relatives aux déchets.
- Les produits électriques sont dangereux pour les enfants et les animaux domestiques. Tenez les tout petits éloignés de l'appareil lorsqu'il fonctionne et ne les laissez pas jouer avec l'appareil.

1.6 Sécurité des transports

- Avant le nettoyage, débranchez le produit de l'alimentation électrique avant de porter l'appareil.
- Ne posez pas d'autres articles sur l'appareil et transportez-le en position verticale.
- Lorsque vous souhaitez transporter l'appareil, emballez-le avec du matériel d'emballage à bulles ou du carton épais et attachez-le avec du ruban adhésif. Fixez fermement l'appareil avec du ruban adhésif pour éviter d'éventuels dom-

mages aux pièces amovibles ou mobiles de l'appareil et à l'appareil proprement dit.

- Vérifiez l'aspect général de l'appareil afin de détecter tout dommage qui aurait pu se produire lors du transport.

2 Instructions relatives à l'environnement

2.1 Directive sur les déchets

2.1.1 Conformité avec la directive DEEE et élimination des déchets

Cet appareil est conforme à la directive DEEE de l'Union européenne (2012/19/UE). Le produit possède un symbole de classification attribué aux déchets d'équipements électriques et électroniques (DEEE).



Ce produit a été fabriqué avec des pièces et matériaux de qualité supérieure, réutilisables et adaptés au recyclage. Par conséquent, ne le mettez pas au rebut avec les ordures ménagères et d'autres déchets à la fin de sa durée de vie. Rendez-vous dans un point de collecte pour le recyclage de tout matériel électrique et électronique. Vous pouvez demander à votre administration locale

quels sont ces points de collecte. L'élimination correcte de l'appareil permet d'éviter les conséquences négatives pour l'environnement et la santé humaine.

Conformité avec la directive RoHS :

Votre appareil est conforme à la directive RoHS de l'Union européenne (2011/65/UE). Il ne comporte pas de matériaux dangereux et interdits mentionnés dans la directive.

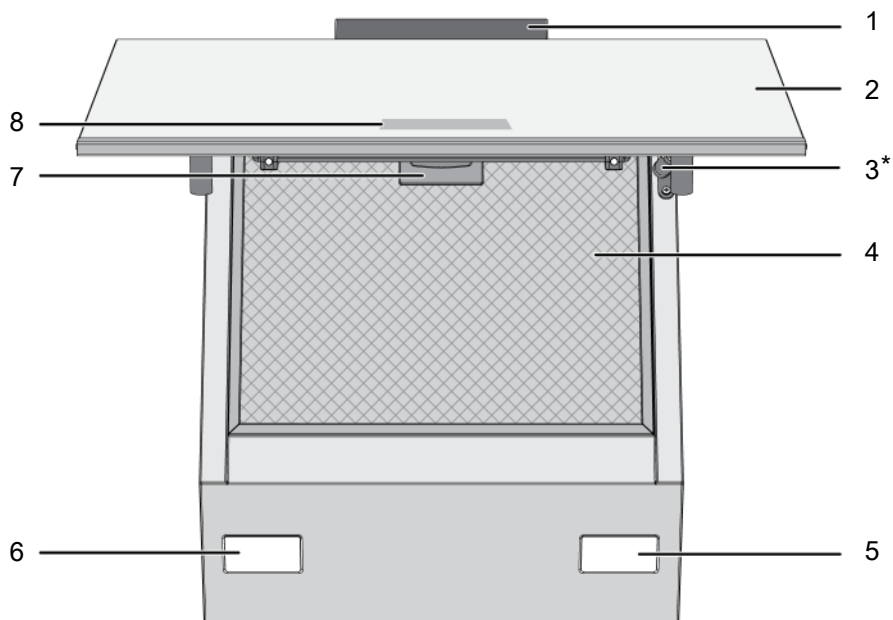
2.2 Informations sur l'emballage

Les matériaux d'emballage de cet appareil sont fabriqués à partir de matériaux recyclables, conformément à nos réglementations nationales en matière d'environnement. Ne jetez pas les déchets d'emballage avec les déchets ménagers ou autres, apportez-les aux points de collecte des matériaux d'emballage désignés par les autorités locales.

3 Votre appareil

3.1 Présentation de l'appareil

FR



1 Corps de la hotte

3 Clapet

5 Lampe

7 Verrouillage du filtre en aluminium

2 Couvercle en verre de la hotte

4 Filtre en aluminium

6 Lampe

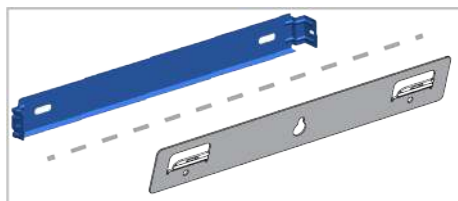
8 Panneau de commande

* En fonction du modèle. Il se peut qu'il ne soit pas disponible pour votre appareil.

3.2 Accessoires de l'appareil

Selon le modèle de l'appareil, l'accessoire fourni varie. Tous les accessoires décrits dans le manuel d'utilisation peuvent ne pas être disponibles dans votre appareil.

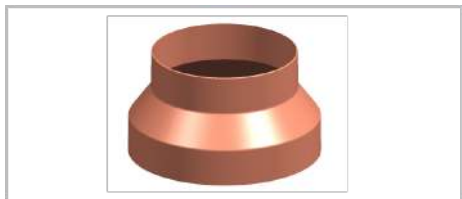
Pièce de fixation murale



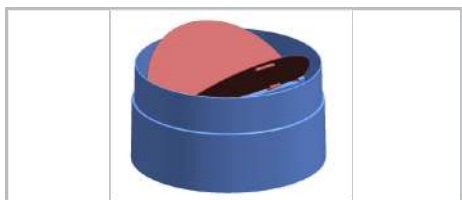
Routeur aérien



Adaptateur de raccordement au conduit de fumée



Protections pour empêcher l'inversion du flux d'air



3.3 Spécifications techniques

Dimension externe de l'appareil (hauteur/largeur/profondeur)(mm)	min. 910 - max. 1138 /895 /419
Tension/fréquence	220-240 V ~1N; 50 Hz
Consommation totale d'énergie	max. 300 W
Puissance d'aspiration	700-720 m3/h
Diamètre du tuyau de sortie d'air	120-150 mm

FR

Contrôle	
Modèle A	3 niveaux
Modèle B	3 niveaux + 1 booster
Modèle C	3 niveaux + 1 booster



Les spécifications techniques peuvent être modifiées sans préavis afin d'améliorer la qualité de l'appareil.



Les illustrations présentées dans ce manuel sont schématiques et peuvent ne pas correspondre exactement à votre appareil.



Les valeurs indiquées sur les étiquettes de l'appareil ou dans la documentation accompagnant l'appareil sont obtenues dans des conditions de laboratoire, en conformité avec les normes applicables. Ces valeurs peuvent varier en fonction des conditions d'utilisation et l'environnement de l'appareil.

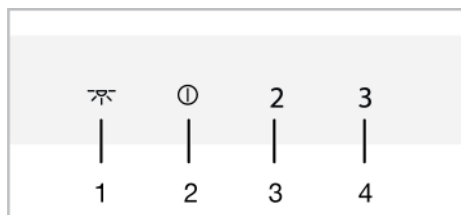
4 Utilisation de la hotte

La hotte est équipée d'un moteur à plusieurs vitesses. Pour une bonne performance, nous recommandons d'utiliser des vitesses faibles dans des conditions normales et des vitesses élevées en cas de forte odeur et de condensation de la vapeur.



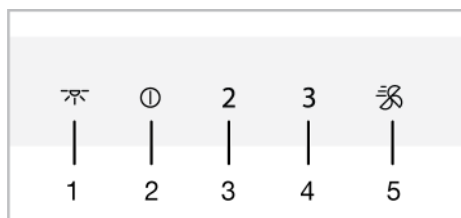
Le programme est annulé si le courant est coupé alors que des programmes de votre hotte sont actifs.

MODÈLE A



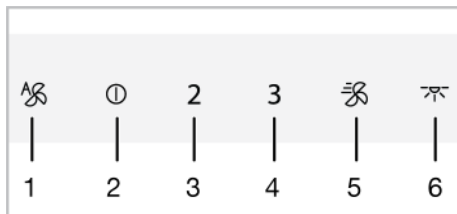
- 1 Touche de lampe
- 2 Touche marche/arrêt / Vitesse 1
- 3 Bouton de vitesse 2
- 4 Bouton de vitesse 3

MODÈLE B



- 1 Touche de lampe
- 2 Touche marche/arrêt / Vitesse 1
- 3 Bouton de vitesse 2
- 4 Bouton de vitesse 3
- 5 Clé de rappel

MODÈLE C



- 1 Touche du mode automatique
- 2 Touche marche/arrêt / Vitesse 1
- 3 Bouton de vitesse 2
- 4 Bouton de vitesse 3
- 5 Clé de rappel
- 6 Touche de lampe

Utilisation de la hotte

1. Touchez la touche de niveau de vitesse que vous avez sélectionnée pour faire fonctionner la hotte.
⇒ La touche du niveau de vitesse réglé s'allume.
2. Vous pouvez toucher les autres touches de niveau de vitesse pour modifier le niveau de vitesse.



Lorsqu'il est en service, l'appareil fonctionne pendant un maximum de 6 heures si aucune touche n'est touchée.



Désactivation de la hotte

1. Pour éteindre la hotte, touchez à nouveau la touche du niveau sur lequel la hotte fonctionne ou la touche ①.



Si vous touchez la touche ① avec une fonction active, à l'exception de la lampe, la fonction est annulée.



Activation du mode de ventilation intensive (Booster) (pour les modèles B et C)

1. Appuyez une fois sur la touche  pour démarrer la hotte en mode de ventilation intensive.
 - ⇒ Le mode de ventilation intensive démarre et fonctionne pendant un maximum de 10 minutes. Pendant ce temps, la touche  s'allume. Après 10 minutes, l'appareil continue à fonctionner en Vitesse 3 et la touche Vitesse 3 s'allume.



En mode ventilation intensive, lorsqu'une touche de vitesse est pressée, elle revient à ce niveau de vitesse et continue à fonctionner.


Utilisation de la lampe

1. Appuyez sur la touche  pour faire fonctionner la lampe,
 - ⇒ La lampe de la hotte s'allume. (Pour les modèles B et C) Si vous touchez à nouveau la touche  dans la première minute, la lampe continuera à s'allumer au niveau d'éclairage faible. Si vous la touchez à nouveau une minute après avoir allumé la lampe, elle s'éteint.




Les lampes d'éclairage fonctionnent pendant un maximum de 12 heures.

Activation de la Lampe



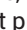
1. Une minute après avoir allumé la lampe de la hotte, vous pouvez l'éteindre en touchant à nouveau la touche .



(Pour les modèles B et C) Si vous touchez à nouveau la touche  dans la première minute après l'allumage de la lampe, celle-ci passe au niveau d'éclairage faible.

Réglage de la couleur d'éclairage de la lampe (pour les modèles B et C)

Vous pouvez utiliser la couleur des lampes d'éclairage de votre hotte dans 3 nuances différentes.

1. Lorsque la lampe de la hotte est allumée, appuyez sur la touche  pendant plus de 2 secondes.
 - ⇒ La lampe passe à l'autre couleur.
2. Si vous continuez à appuyer sur la touche , la couleur suivante apparaîtra toutes les 2 secondes. Selon la nuance de couleur souhaitée, arrêtez de toucher la touche  lorsque la lampe est dans cette nuance de couleur. La nuance de couleur s'active automatiquement.




Vous ne pouvez changer la teinte de la lumière que lorsque la lampe a une forte intensité lumineuse.



En cas de panne de courant, votre hotte se souviendra de la nuance de couleur réglée et la lampe fonctionnera dans la dernière couleur réglée.

Mode automatique (pour le modèle C)


Votre hotte mesure la température de l'air dans la cuisine et de l'air provenant de votre plaque de cuisson à l'aide d'un capteur. En mode automatique, il détermine les niveaux requis pour que la température de l'air provenant de la table de cuisson corresponde à la température de l'air dans la cuisine et fonctionne aux niveaux déterminés automatiquement.

1. Pour activer le mode automatique, touchez la touche .
 - ⇒ Le mode automatique est activé et fonctionne jusqu'à ce que la température de l'air provenant de la table de cuisson soit égale à la température ambiante. Il s'éteint automatiquement lorsque la tem-

pérature s'équilibre. Vous devez réactiver le mode automatique pour le remettre en marche.



Lorsque le mode automatique est actif, le mode automatique sera annulé si vous allumez et éteignez l'appareil à n'importe quelle vitesse.

2. Pour désactiver rapidement le mode automatique, touchez une fois de plus la touche .



Si vous ouvrez le couvercle de l'appareil lorsque le mode automatique est activé, ses performances diminueront. N'ouvrez pas le couvercle lorsque le mode automatique est actif.



Si la différence de température ambiante se produit même lorsque la table de cuisson ne fonctionne pas alors que le mode automatique est actif, le capteur de température de l'appareil détecte la différence et l'appareil peut commencer à fonctionner à la vitesse 2 ou 3 selon la différence. Dans ce cas, le mode automatique sera désactivé lorsque la différence de température sera égalisée.



N'utilisez pas le mode automatique lorsque votre table de cuisson ne fonctionne pas.

Mode de nettoyage de l'air (pour les modèles B et C)

Vous pouvez utiliser le mode de nettoyage de l'air pour éliminer les odeurs dans votre maison pendant une longue période à un faible niveau.

1. appuyez sur la touche Vitesse 1 et maintenez-la enfoncée pendant environ 3 secondes.

⇒ Le mode de nettoyage de l'air est activé. Le voyant de la touche Vitesse 1 clignote lorsque le mode de nettoyage de l'air est actif.

2. Le mode de nettoyage de l'air fonctionnera à la vitesse 1 pendant 10 minutes en 1 heure et s'arrêtera après 50 minutes. Si vous n'éteignez pas le mode de nettoyage de l'air, il restera en fonctionnement pendant 10 minutes, puis s'arrêtera pendant 50 minutes à chaque heure pendant 24 heures.



Lorsque le mode de nettoyage de l'air est actif, il est automatiquement annulé par la pression de n'importe quelle touche, à l'exception de la touche de la lampe. Votre hotte continue à fonctionner en fonction de la touche que vous touchez.

Avertissement de remplissage du filtre en aluminium

Le voyant de la touche Vitesse 2 clignote toutes les 100 heures de fonctionnement. Dans ce cas, vous devez nettoyer votre filtre à aluminium. Après le nettoyage, le témoin de la touche de vitesse 2 ne s'éteint pas automatiquement. Lorsque vous appuyez sur la touche Vitesse 2 pendant plus de 3 secondes, l'avertissement de remplissage du filtre en aluminium est réinitialisé et la lampe s'éteint.



L'alerte n'est pas annulée si l'alimentation est coupée lorsque la hotte donne l'alerte de remplissage du filtre à aluminium. Lorsque le courant est disponible, il continue d'avertir en faisant clignoter le voyant de la touche Vitesse 2.



Si vous faites fonctionner votre hotte à n'importe quel niveau de vitesse avec l'avertissement de remplissage du filtre en aluminium, l'avertissement n'apparaîtra pas tant que la hotte fonctionnera. Lorsque vous éteignez la hotte, l'avertissement de remplissage recommence à clignoter.



Si vous éteignez l'avertissement sans nettoyer le filtre en aluminium, la durée de fonctionnement de 100 heures est réinitialisée et elle recommence. Au bout des 100 heures suivantes, votre hotte émet un avertissement à nouveau.

Avertissement de remplissage du filtre à charbon (pour les produits avec filtre à charbon)

Le voyant de la touche Vitesse 2 clignote toutes les 100 heures de fonctionnement. Dans ce cas, vous devez remplacer votre filtre à charbon. Consultez un service agréé à ce sujet. Après le remplacement, le témoin de la touche de vitesse 2 ne s'éteint pas automatiquement. Lorsque vous appuyez sur la touche Vitesse 2 pendant plus

de 3 secondes, l'avertissement de remplissage du filtre à charbon est réinitialisé et la lampe s'éteint.



L'avertissement n'est pas annulé si l'alimentation est coupée lorsque la hotte donne l'avertissement de remplissage du filtre à charbon. Lorsque le courant est disponible, il continue d'avertir en faisant clignoter le voyant de la touche Vitesse 2.



Si vous faites fonctionner votre hotte à n'importe quel niveau de vitesse avec l'avertissement de remplissage du filtre à charbon, l'avertissement n'apparaîtra pas tant que la hotte fonctionnera. Lorsque vous éteignez la hotte, l'avertissement de remplissage recommence à clignoter.



Si vous éteignez l'avertissement sans remplacer le filtre à charbon, la durée de fonctionnement de 100 heures est réinitialisée et elle recommence. Au terme des 100 heures suivantes, l'avertissement est à nouveau émis.

5 Entretien et nettoyage

5.1 Consignes de nettoyage générales

Avertissements généraux

- Un nettoyage régulier de votre appareil prolonge sa durée de vie et réduit les problèmes fréquemment rencontrés.
- Débranchez l'appareil de la connexion électrique avant de commencer les opérations d'entretien et de nettoyage. Il existe un risque d'électrocution !
- Certains détergents ou agents de nettoyage peuvent endommager la surface. N'utilisez pas de détergents abrasifs, de poudres de nettoyage, de crèmes de nettoyage ou d'objets pointus pendant le nettoyage.

- N'utilisez pas de produits de nettoyage à vapeur pour le nettoyage.

Nettoyage de l'appareil

- L'appareil doit être nettoyé à fond après chaque utilisation. Ainsi, les résidus alimentaires sont faciles à nettoyer et ces résidus ne brûlent pas lorsque l'appareil est réutilisé ultérieurement.
- Aucun agent de nettoyage spécial n'est requis pour nettoyer le produit. Nettoyez l'appareil à l'aide d'un détergent à vaisselle, d'eau chaude et d'un chiffon doux ou d'une éponge et séchez-le à l'aide d'un chiffon sec.

- N'utilisez pas d'agents de nettoyage contenant de l'acide ou du chlore pour nettoyer les surfaces et les poignées en acier inoxydable ou en inox. Nettoyez à l'aide d'un chiffon doux savonneux et un détergent liquide (non abrasif), en prenant soin d'essuyer dans un sens.
- Des capteurs se trouvent à l'arrière du couvercle en verre de l'appareil. N'endommagez pas ces capteurs pendant le nettoyage. (Pour le modèle C)

5.2 Filtre en aluminium

Ce filtre capte les particules d'huile présentes dans l'air. **Il est recommandé de nettoyer le filtre une fois par mois dans des conditions normales d'utilisation.** Pour y parvenir :

1. Retirez les filtres en aluminium.
2. Lavez les filtres dans l'eau avec un détergent liquide et réinstallez-les après séchage.

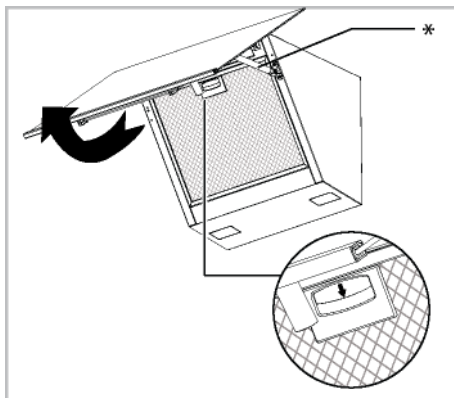
Les filtres en aluminium peuvent changer de couleur au cours du lavage ; ceci est normal et ne nécessite pas de remplacer vos filtres.



Vous pouvez également laver le filtre en aluminium dans le lave-vaisselle. (max. 70 °C)

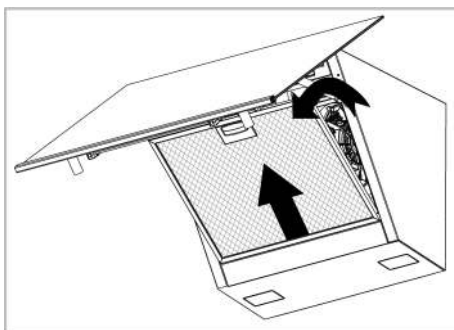
Retrait des filtres en aluminium

1. Ouvrez le couvercle de la hotte vers le haut et tirez le verrou du filtre en aluminium vers le bas comme indiqué sur le schéma.



* Le silencieux est optionnel. Il se peut qu'il ne soit pas disponible pour votre appareil.

2. En premier, tirez doucement le filtre vers vous puis vers le haut pour le retirer de son emplacement.



3. Réinstallez le filtre en aluminium dans son emplacement après le rinçage en suivant les étapes ci-dessus en sens inverse.

5.3 Lampe de la hotte

En cas de dysfonctionnement de la lampe dans la hotte, contactez votre revendeur local ou le service clientèle, et veillez à ce que la lampe soit remplacée.

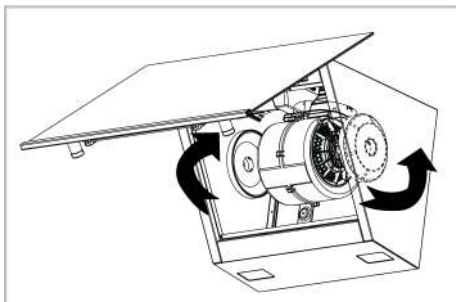
5.4 Filtre à charbon (utilisation sans conduit de fumée)

Avertissements généraux

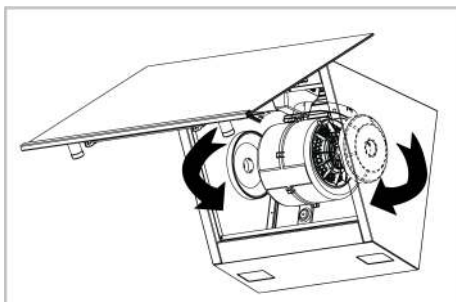
- Si vous avez installé votre appareil sans conduit de fumée, vous devez remplacer vos filtres à charbon tous les 4 mois en utilisation normale. Vous pouvez vous procurer le filtre à charbon auprès des services agréés.
- Le filtre à charbon ne doit jamais être lavé.
- Si vous ne respectez pas les règles de nettoyage et de remplacement des filtres de votre hotte, vous risquez de provoquer un incendie.

Démontage des filtres à charbon

1. Ouvrez le couvercle en verre de la hotte et retirez le filtre en aluminium.
2. Dévissez les filtres à charbon situés à droite et à gauche du support du moteur.



3. Placez les encoches de vos nouveaux filtres à charbon dans les encoches du support du moteur et tournez-les dans le sens des aiguilles d'une montre pour les mettre en place.



4. Fermez le couvercle de la vitre de la hotte après avoir installé le filtre en aluminium.

6 Dépannage

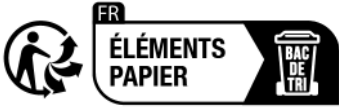
Si le problème persiste même après observation des instructions contenues dans cette partie, contactez votre fournisseur ou un service de maintenance agréé. N'essayez jamais de réparer votre appareil par vous-même.

L'appareil ne fonctionne pas.

- Le fusible peut être défilant ou grillé. >>> Vérifiez les fusibles dans la boîte à fusibles. Remplacez-les si nécessaire ou remettez-les en marche.
- Le produit n'est peut-être pas branché. >>> Vérifiez si le produit est branché à la prise ou non.
- Le bouton de vitesse peut ne pas être réglé. >>> Appuyez/touchez le bouton de vitesse souhaité.
- Il se peut qu'il n'y ait pas d'électricité. >>> Vérifiez que le réseau électrique est opérationnel et vérifiez les fusibles dans la boîte à fusibles. Changez les fusibles si nécessaire ou réactivez-les.

Le voyant de la hotte n'est pas allumé.

- La lampe de la hotte est peut-être défectueuse. >>> Contactez le revendeur local où vous avez acheté votre appareil ou le service clientèle, et veillez à ce que la lampe soit remplacée.
- Il se peut qu'il n'y ait pas d'électricité. >>> Vérifiez que le réseau électrique est opérationnel et vérifiez les fusibles dans la boîte à fusibles. Changez les fusibles si nécessaire ou réactivez-les.



Points de collecte sur www.quefairedeusdechets.fr
Privilégiez la réparation ou le don de votre appareil !

