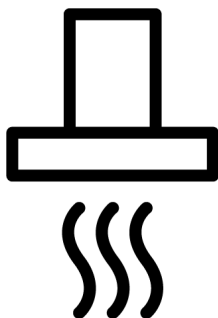


beko

Hood / User Manual
Okapu / Instrukcja obsługi
Hotte murale / Manuel d'utilisation



BHCA62442BWH

185732362_1/ EN/ PL/ FR/ R.AA/ 10/10/23 09:48
7704331233



Welcome!

Dear Customer,

Thank you for choosing the Beko product. We want your product, manufactured with high quality and technology, to offer you the best efficiency. Therefore, carefully read this manual and any other documentation provided before using the product.

Keep in mind all the information and warnings stated in the user's manual. This way, you will protect yourself and your product against the dangers that may occur.

Keep the user's manual. If you give the product to someone else, give the manual with it. The warranty conditions, usage and troubleshooting methods for your product are provided in this manual.

The symbols and their descriptions in the user's manual:



Hazard that may result in death or injury.



Important information or useful usage tips.



Read the user's manual.



Hot surface warning.

NOTICE Hazard that may result in material damage to the product or its environment.

Arçelik A.Ş.

Karaağaç caddesi No:2-6
34445 Söğütözü/İstanbul/TURKEY

Made in TURKEY

Table of Contents

1	Safety Instructions	4
1.1	Intended Use	4
1.2	Child, Vulnerable Person and Pet Safety	4
1.3	Electrical Safety	5
1.4	Transportation Safety	6
1.5	Installation Safety.....	7
1.6	Safety of Use.....	8
1.7	Maintenance and Cleaning Safety	9
2	Environmental Instructions	10
2.1	Waste Directive	10
2.1.1	Compliance with the WEEE Directive and Disposing of the Waste Product	10
2.2	Package Information	10
3	Your product	11
3.1	Product Introduction	11
3.2	Product Accessories	11
3.3	Technical Specifications	13
4	First Use	14
4.1	Initial Cleaning	14
5	Using the Hood	14
6	Maintenance and Cleaning	17
6.1	General Cleaning Information	17
6.2	Cleaning the Control Panel.....	18
6.3	Aluminium Filter.....	18
6.4	Carbon Filter (Usage without a flue).....	19
6.5	Hood Lamp.....	19
7	Troubleshooting	20

1 Safety Instructions

- This section includes the safety instructions necessary to prevent the risk of personal injury or material damage.
- If the product is handed over to someone else for personal use or second-hand use purposes, the user's manual, product labels and other relevant documents and parts should also be given.
- Our company shall not be held responsible for damages that may occur if these instructions are not observed.
- Failure to follow these instructions shall void any warranty.
- Always have the installation and repair works made by the manufacturer, the authorised service or a person that the importer company shall designate.
- Use original spare parts and accessories only.
- Do not repair or replace any component of the product unless it is clearly specified in the user's manual.
- Do not make technical modifications on the product.

1.1 Intended Use

- This product is designed to be used at home. It is not suitable for commercial use.
- Do not use the product in gardens, balconies or other outdoors. This product is intended to be used in households and in the staff kitchens of shops, offices and other working environments.

1.2 Child, Vulnerable Person and Pet Safety

- This product can be used by children 8 years of age and older, and people who are underdeveloped in physical, sensory or mental skills, or who have lack of experience and knowledge, as long as they are supervised or trained about the safe use and hazards of the product.
- Children should not play with the product. Cleaning and user maintenance should not be performed by children unless there is someone overseeing them.
- This product should not be used by people with limited physical, sensory or mental capacity (including children),

unless they are kept under supervision or receive the necessary instructions.

- Children should be supervised to ensure that they do not play with the product.
- Electrical products are dangerous for children and pets. Children and pets should not play with the product.
- Keep the packaging materials out of the reach of children. There is a hazard of injury and suffocation.
- Before discarding worn out and useless products:
 1. Unplug and disconnect the power plug (if the product is plugged in).
 2. Cut off the power cable and disconnect it with the plug from the product.
 3. Do not allow children to play with product when it is in idle mode.

1.3 Electrical Safety

- Plug the product into a grounded outlet protected by a fuse that matches the current ratings indicated on the type label. Have the grounding installation made by a qualified electrician. Do not use the product without grounding in accordance with local / national regulations.
- The plug or the electrical connection of the appliance shall be in an easily accessible place. If this is not possible, there should be a mechanism (fuse, switch, key switch, etc.) on the electrical installation to which the product is connected, in compliance with the electrical regulations and separating all poles from the network.
- Unplug the product or switch off the fuse before repair, maintenance and cleaning.
- Plug the product into an outlet that meets the voltage and frequency values specified on the type label.
- (If your product does not have a mains cable) only use the connecting cable described in the "Technical specifications" section.
- Do not plug your hood in until it is mounted.
- Do not jam the power cable under and behind the product. Do not put a heavy object on the power cable. The power cable should not be bent, crushed, and come into contact with any heat source.
- Do not install the electricity cord near the heaters. The cable might melt, causing a fire.

- Make sure that the power cable is not jammed while putting the product to its place after assembly or cleaning.
 - Do not plug your hood in until it is mounted.
 - Use original cable only. Do not use cut or damaged cables.
 - Do not use an extension cord or multi-plug to operate your product.
 - Contact the authorized service centre or importer to use the approved adapter in cases where the use of a converter adapter (for plug type) is necessary.
 - Contact the importer or the authorized service centre if the length of the power line is inadequate.
 - Portable power sources or multiple plugs may overheat and catch fire. Keep multiple plugs and portable power sources away from the product.
 - If the power cable is damaged, it must be replaced by the manufacturer, an authorized service or a person to be specified by the importer company in order to prevent possible dangers.
 - If your product has plug, do not make electrical connections by disconnecting the plug during installation. Connections made by cutting off render the product warranty void and pose a danger to user safety.
- If your product has a power cable and plug:
- Never put the product plug into a broken, loose, or out-of-socket plug. Make sure the plug is fully inserted into the socket. Otherwise the connections may overheat and cause a fire.
 - Avoid inserting the device into plugs that are greasy, unclean, or potentially exposed to water (such as those near a worktop where water may escape). Otherwise there is a risk of short circuit and electrocution.
 - Never touch the plug with wet hands!
 - Pull the plug out of the socket using the plug's body rather than the cord itself.



1.4 Transportation Safety

- Disconnect the product from the mains before transporting the product.
- The product is heavy, carry the product with at least two people.

- Do not place items on the appliance. Carry the appliance vertically.
- When you need to transport the product, wrap it with bubble wrap packaging material or thick cardboard and tape it tightly. Secure the moving parts of the product firmly to prevent damage.
- Before the product is installed, check the product for any damage after transport. Contact the importer or the authorized service centre if damaged.
- Before beginning the installation, de-energize the power line to which the product will be connected by turning off the fuse.
- Always wear protective gloves during transport and installation. Otherwise there is a risk of injury from sharp edges!
- Before the product is installed, check the product for any damage. Do not have it installed if the product is damaged.
- Avoid using any heat-insulating materials to cover the interior of the furniture that will be installed.
- Direct sunlight and heat sources, such as electric or gas heaters, must not be present in the area where the product is installed.
- If there is a socket behind the place where the product will be installed, it must be ensured that the product does not come into contact with the socket nor with the plug plugged into the socket.
- For usage with chimney connections, have qualified individuals assess the suitability of the chimney to which the product will be connected.

1.5 Installation Safety

- To have your product ready for use, first provide the place of installation and have the electrical installation made. Always have the installation made by the manufacturer, the authorised service or a person that the importer company shall designate.
- To have your product ready for use, first provide the place of installation and have the electrical installation made. Then, call the Authorised Service to have the installation performed. After installation by the authorized service, the warranty period begins.

- Height between the bottom surface of your hood and the top surface of the oven should be no less than 650 mm for gas ovens and 500 mm for electrical ovens. Otherwise, your product will be affected by the heat or flame of the hob and pose a safety hazard.
- Never attach the hood to flues used as a flame heater or flame-emitting heaters. Comply with local regulations on purging the outflow.
- Use pipes with a diameter of 120 mm when connecting a flue to your product. The pipe connection should be as short as possible and with few bends.
- Ensure that the appliance is switched off after every use.
- Don't use the product if it breaks down or gets damaged while being used. Disconnect the product from the electricity. Contact the importer or the authorized service centre.
- Do not touch the lamps of your hood after operating the hood for a long time. Hot lamps may burn your hand.
- Do not operate the appliance without an oil filter. Do not remove the filters while the appliance is operating. Otherwise the product and electrical connections may be adversely affected by the oil.
- Do not create a high flame under the product. Otherwise, the oil in the oil filter may ignite, causing a fire.

1.6 Safety of Use

- **Poisoning Danger!** While the appliance is operating, air is drawn from the whole house. If adequate ventilation is not provided, air flow occurs and the waste and toxic gases released as a result of combustion in the house are reabsorbed. Do not operate the product together with products that provide air circulation and may emit toxic gas (wood, gas, oil and coal stoves, boilers, water heaters, etc.).
- Turn off the oven before taking the cooking pots, pans, etc. from the ovens. Otherwise, your product could be harmed by flame and growing heat.
- Never set anything combustible or items prone to falling on your hood. Otherwise, it could fall on the hob and risk burning them or fall into the food and hurt the user,
- Do not keep easily flammable materials under your hood.

- (For Models A and B) Run your hood for another 15 minutes after the cooking or frying process to clean the kitchen air thoroughly of the odours and vapours generated during cooking.
- (Except for goods that return exhaust air to the room) The room needs to be well ventilated if the hood is utilized in the same area as gas or liquid fuel burning equipment.
- The chimney of appliances like room heaters that run on gas or liquid fuel must be entirely insulated in the environment where the hood is utilized, or the appliance must be hermetic.
- If there is another appliance operating with energy other than electrical energy in the same environment with the hood, the negative pressure in the room should be at most 0.04 mbar so that the exhaust of the other appliance is not drawn back into the room by the hood.
- Easily flammable and combustible materials should not be hung on the hood handles (if any).
- There should not be open fire under the hood. (for example: flambe)
- **Caution:** Accessible parts can heat up when used with a cooker.



1.7 Maintenance and Cleaning Safety

- The grease accumulated on the hood and grease filter must be cleaned at the specified intervals. Otherwise, there is a risk of fire!
- It is recommended to clean the filter once a month under normal usage. If not, the build-up of oil in the filter could catch fire and pose a hazard.
- Never wash the product by spraying or pouring water on it! There is the risk of electric shock!
- Do not use steam cleaners to clean the product as this may cause an electric shock.

2 Environmental Instructions

2.1 Waste Directive

2.1.1 Compliance with the WEEE Directive and Disposing of the Waste Product

This product complies with EU WEEE Directive (2012/19/EU). This product bears a classification symbol for waste electrical and electronic equipment (WEEE).



This product has been manufactured with high quality parts and materials which can be re-used and are suitable for recycling. Therefore, do not dispose of the waste product with normal domestic and other wastes at the end of its service life. Take it to a collection point for the recycling of electrical and electronic equipment. You can ask your

local administration about these collection points. Disposing of the appliance properly helps prevent negative consequences for the environment and human health.

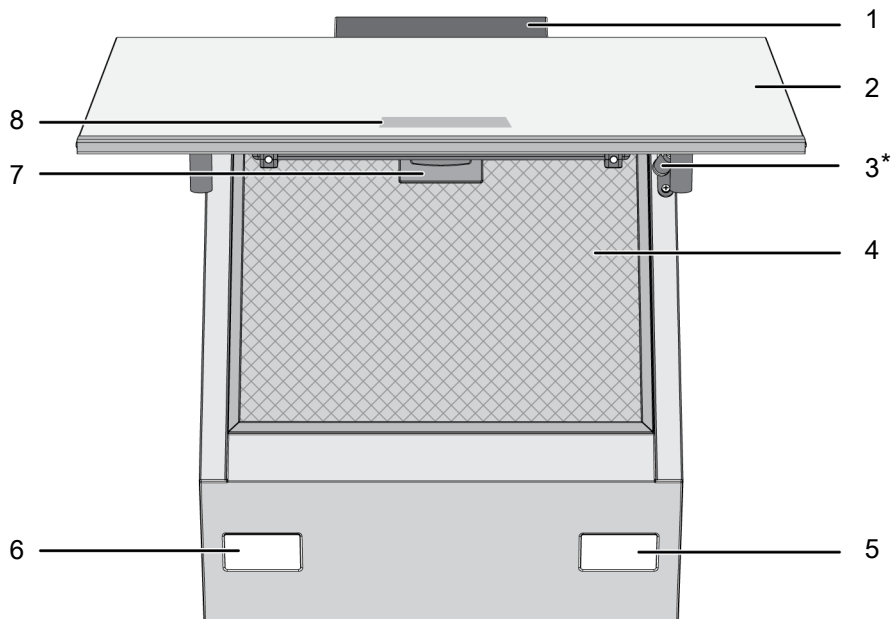
Compliance with RoHS Directive:

The product you have purchased complies with EU RoHS Directive (2011/65/EU). It does not contain harmful and prohibited materials specified in the Directive.

2.2 Package Information

Packaging materials of the product are manufactured from recyclable materials in accordance with our National Environment Regulations. Do not dispose of the packaging waste with the household or other wastes, take it to the packaging material collection points designated by the local authorities.

3.1 Product Introduction



1 Hood body

3 Damper

5 Lamp

7 Aluminium filter lock

2 Hood glass lid

4 Aluminium filter

6 Lamp

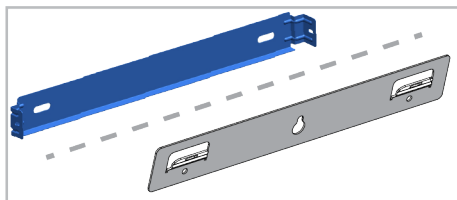
8 Control panel

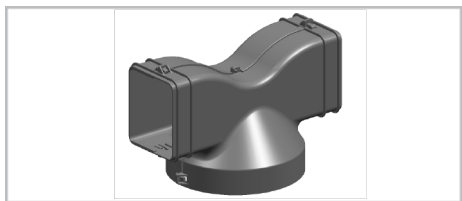
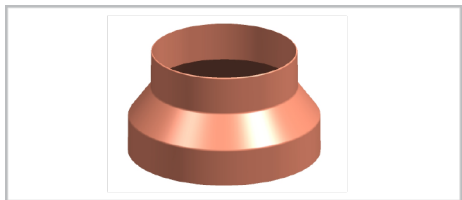
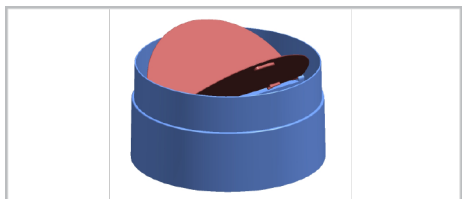
* Dependent on the model. It may not be available on your product.

3.2 Product Accessories

Depending on the product model, the supplied accessory varies. All accessories described in the user's manual may not be available in your product.

Wall mounting part



Air router**Flue connection adapter****Covers to prevent reverse airflow**

3.3 Technical Specifications

Product external dimensions (height/width/depth) (mm)	min. 910 - max. 1138 /595 /419
Voltage/Frequency	220-240 V ~1N; 50 Hz
Total power consumption	max. 155 W
Suction power	408 m3/h
Diameter of air outlet pipe	120-150 mm

Control	
Model A	3 levels
Model B	3 levels + 1 booster
Model C	3 levels + 1 booster



Technical specifications may be changed without prior notice to improve the quality of the product.



Figures in this manual are schematic and may not exactly match your product.



Values stated on the product labels or in the documentation accompanying it are obtained in laboratory conditions in accordance with relevant standards. Depending on operational and environmental conditions of the product, these values may vary.

4 First Use

Before you start using your product, it is recommended to do the following stated in the following sections respectively.

4.1 Initial Cleaning


1. Remove all packaging materials.

2. Wipe the surfaces of the product with a wet cloth or sponge and dry with a cloth.

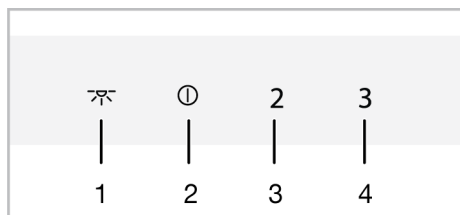
NOTICE: Some detergents or cleaning agents may cause damage to the surface. Do not use abrasive detergents, cleaning powders, cleaning creams or sharp objects during cleaning.

5 Using the Hood

The hood has an engine with various speeds. For a good performance, we recommend using low speeds under normal conditions and high speeds in case of strong odour and vapour condensation.

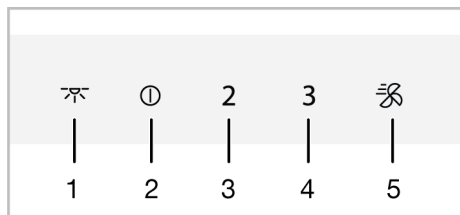
 The program is cancelled if power is cut when any program in your hood is active.

MODEL A



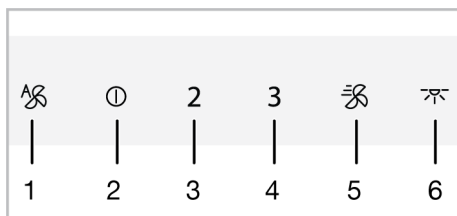
- 1 Lamp key
- 2 On-Off/Speed 1 key
- 3 Speed 2 key
- 4 Speed 3 key

MODEL B



- 1 Lamp key
- 2 On-Off/Speed 1 key
- 3 Speed 2 key
- 4 Speed 3 key
- 5 Booster key


MODEL C




- 1 Automatic mode key
- 2 On-Off/Speed 1 key
- 3 Speed 2 key
- 4 Speed 3 key
- 5 Booster key
- 6 Lamp key



Operating the hood

1. Touch the speed level key you have selected to operate the hood.
 - ⇒ The set speed level key lights up.
2. You can touch the other speed level keys to change the speed level.



 When in operation, the product will run for a maximum of 6 hours if no key is touched.

Turning off the hood

1. To turn the hood off, touch again the key of the level on which the hood is operating or  key.

 If you touch the  key with any function active except the lamp, then the function is cancelled.


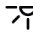
Turning on the intensive ventilation mode (Booster) (for models B and C)

1. Press  key once to start the hood in the intensive ventilation mode.
 - ⇒ The intensive ventilation mode starts up and runs for a maximum of 10 minutes. During this time, the  key lights up. After 10 minutes, the product continues to operate in Speed 3 and the Speed 3 key lights up.



In intensive ventilation mode, when any speed key is touched, it returns to that speed level and continues to operate.


Operating the lamp

1. Touch the  key to operate the lamp.
 - ⇒ Hood lamp lights. (For Models B and C) If you touch the  key again within the first 1 minute, the lamp will continue to light at the low illumination level. If you touch it again 1 minute after turning the lamp on, it turns off.

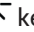


The illumination lamps operate for a maximum of 12 hours.

Turning off the lamp


1. One minute after turning the hood lamp on, you can turn it off by touching the  key again.



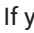

(For Models B and C) If you touch the  key again within the first 1 minute after the lamp is switched on, the lamp switches to the low illumination level.

Setting the lamp illumination colour (for models B and C)

You can use the colour of your hood's illumination lamps in 3 different shades.

1. With the hood lamp turned on, touch  key for more than 2 seconds.

⇒ The lamp changes to the other colour shade.

2. If you continue to touch the  key, it will change to the next colour shade after every 2 seconds. According to the desired colour shade, stop touching  key when the lamp is in that colour shade. The colour shade will automatically activate.




You can only change the light colour shade while the lamp has high light intensity.



In the event of a power outage, your hood will remember the colour shade set and the lamp will work in the colour that was last set.


Automatic mode (for model C)


Your hood measures the temperature of the air in the kitchen and the air coming from your hob by using a sensor. In automatic mode, it determines the required levels for the temperature of the air from the hob to match the temperature of the air in the kitchen and operates at levels determined automatically.


1. To enable the automatic mode touch the  key.
 - ⇒ The automatic mode is activated and operates until the temperature of the air from the hob equals the ambient temperature. It will switch off automatically when the temperature equalizes. You must enable automatic mode again to re-switch it on.




While automatic mode is active, automatic mode will be cancelled when you turn the product on and off at any speed.

2. To turn automatic mode off early touch the  key once more.

 If you open the cover of the product when auto mode is on, its performance will decrease. Do not open the cover when the automatic mode is active.


 If the ambient temperature difference occurs even when the hob is not operating while the automatic mode is active, the temperature sensor in the product will detect the difference and the product may start operating at Speed 2 or 3 depending on the difference. In this case, automatic mode will be turned off when the temperature difference is equalized.

 Do not use automatic mode when your hob is not working.

Air cleaning mode (for models B and C)


You can use air cleaning mode to eliminate the odour in your house during a long time at low level.


1. Touch the Speed 1 key for more than 3 seconds.
 - ⇒ Air cleaning mode is activated. The light of the Speed 1 key flashes when the air cleaning mode is active.
2. The air cleaning mode will operate at Speed 1 for 10 minutes in 1 hour and will stop for 50 minutes. If you do not switch off the air cleaning mode, it will remain in operation for 10 minutes, then stop for 50 minutes in each hour for 24 hours.


 When air cleaning mode is active, it is automatically cancelled at the touch of any key except lamp key. Your hood continues to operate at the function of the key you touch.

Aluminium filter fill warning

The light of Speed 2 key flashes for thirty seconds after every 100 hours of operation. Clean the aluminium filters. After cleaning, the lamp warning of Speed 2 key does not turn off automatically. This product continues to show the 30-second warning when the product switches off after every operation. When you touch the Speed 2 key for more than 3 seconds, aluminium filter fill warning is reset and the lamp is turned off.


 The warning is not cancelled if the power is cut when the hood gives aluminium filter fill warning. When the power is available, it continues to warn with the light of Speed 2 key flashing.


 If you run the hood at any speed level with the aluminium filter fill warning, the warning will not appear for as long as the hood is running. When you turn off the hood, the fill warning starts flashing again for 30 seconds.


 If you turn off the warning without cleaning the aluminium filter, the operating time of 100 hours is reset and it starts over. At the end of the next 100 hours, your hood warns again.

Carbon filter fill warning (for products with carbon filter)

The light of Speed 2 key flashes for thirty seconds after every 100 hours of operation. In this case, you must replace your carbon filter. Consult an authorized service for this. After replacement, the lamp warning of Speed 2 key does not turn off automatically. This product continues to show the 30-second warning when the product switches off after every operation. When you touch the Speed 2 key for more than 3 seconds, carbon filter fill warning is reset and the lamp is turned off.

 The warning is not cancelled if the power is cut when the hood gives carbon filter fill warning. When the power is available, it continues to warn with the light of Speed 2 key flashing.

 If you turn off the warning without replacing the carbon filter, the operating time of 100 hours is reset and it starts over. At the end of the next 100 hours, warning is given again.

 If you run your hood at any speed level with the carbon filter fill warning, the warning will not appear for as long as the hood is running. When you turn off the hood, the fill warning starts flashing again for 30 seconds.

6 Maintenance and Cleaning

6.1 General Cleaning Information

General warnings

- Wait for the product to cool before cleaning the product. Hot surfaces may cause burns!
- Do not apply the detergents directly on the hot surfaces. This may cause permanent stains.
- The product should be thoroughly cleaned and dried after each operation. Thus, food residues shall be easily cleaned and these residues shall be prevented from burning when the product is used again later. Thus, the service life of the appliance extends and frequently faced problems are decreased.
- Do not use steam cleaning products for cleaning.
- Some detergents or cleaning agents cause damage to the surface. Unsuitable cleaning agents are: bleach, cleaning products containing ammonia, acid or chloride, steam cleaning products, descaling agents, stain and rust removers, abrasive cleaning products (cream cleaners, scouring powder, scouring cream, abrasive and scratching scrubber, wire, sponges, cleaning cloths containing dirt and detergent residues).

- No special cleaning material is needed in the cleaning made after each use. Clean the appliance using dishwashing detergent, warm water and a soft cloth or sponge and dry it with a dry cloth.
- Be sure to completely wipe off any remaining liquid after cleaning and immediately clean any food splashing around during cooking.
- Do not wash any component of your appliance in a dishwasher unless otherwise stated in the user's manual.

Inox - stainless surfaces

- Do not use acid or chlorine-containing cleaning agents to clean stainless-inox surfaces and handles.
- Stainless-inox surface may change colour in time. This is normal. After each operation, clean with a detergent suitable for the stainless or inox surface.
- Clean with a soft soapy cloth and liquid (non-scratching) detergent suitable for inox surfaces, taking care to wipe in one direction.
- Remove lime, oil, starch, milk and protein stains on the glass and inox surfaces immediately without waiting. Stains may rust under long periods of time.
- Cleaners sprayed/applied to the surface should be cleaned immediately. Abrasive cleaners left on the surface cause the surface to turn white.

Glass surfaces

- When cleaning glass surfaces, do not use hard metal scrapers and abrasive cleaning materials. They can damage the glass surface.
- Clean the appliance using dishwashing detergent, warm water and a microfiber cloth specific for glass surfaces and dry it with a dry microfiber cloth.
- If there is residual detergent after cleaning, wipe it with cold water and dry with a clean and dry microfiber cloth. Residual detergent may damage the glass surface next time.
- Under no circumstances should the dried-up residue on the glass surface be cleaned off with serrated knives, wire wool or similar scratching tools.
- You can remove the calcium stains (yellow stains) on the glass surface with the commercially available descaling agent, with a descaling agent such as vinegar or lemon juice.
- If the surface is heavily soiled, apply the cleaning agent on the stain with a sponge and wait a long time for it to work properly. Then clean the glass surface with a wet cloth.
- Discolorations and stains on the glass surface are normal and not defects.

Plastic parts and painted surfaces

- Clean plastic parts and painted surfaces using dishwashing detergent, warm water and a soft cloth or sponge and dry them with a dry cloth.
- Do not use hard metal scrapers and abrasive cleaners. They may damage the surfaces.
- Ensure that the joints of the components of the product are not left damp and with detergent. Otherwise, corrosion may occur on these joints.

6.2 Cleaning the Control Panel

- When cleaning the panels with knob-control, wipe the panel and knobs with a damp soft cloth and dry with a dry cloth.

Do not remove the knobs and gaskets underneath to clean the panel. The control panel and knobs may be damaged.

- While cleaning the inox panels with knob control, do not use inox cleaning agents around the knob. The indicators around the knob can be erased.
- Clean the touch control panels with a damp soft cloth and dry with a dry cloth. If your product has a key lock feature, set the key lock before performing control panel cleaning. Otherwise, incorrect detection may occur on the keys.

6.3 Aluminium Filter

This filter serves to retain oil particles in the air. **It is recommended to clean the filter once a month under normal usage.**

To achieve this:

1. Remove the aluminium filters.
2. Wash the filters in water using liquid detergent and reinstall after drying.

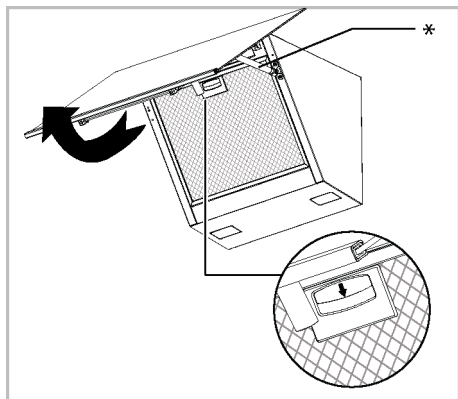
Aluminium filters may change colour as they are washed; this is normal and does not require replacing your filters.



You can also wash the aluminium filter in the dishwasher. (max. 70 °C)

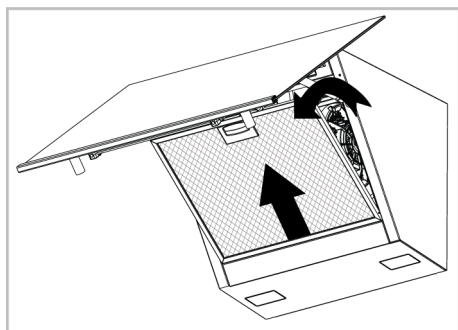
Removing aluminium filters

1. Open hood cover upwards and pull aluminium filter lock downwards as shown in the figure.



* The damper is optional. It may not be available in your product.

2. Gently pull the filter towards you first and pull it upwards to remove it from its slot.



3. Reinstall the aluminium filter in its slot after flushing by following the above steps in reverse.

6.4 Carbon Filter (Usage without a flue)

General warnings

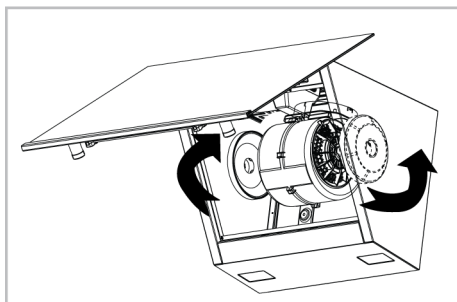
- If you have installed your product without a flue, you should replace your carbon filters every 4 months in normal use. You can obtain the carbon filter from Authorized Services.
- The carbon filter should never be washed.

- If you do not follow the rules for cleaning and replacing the filters of your hood, you may cause a fire.

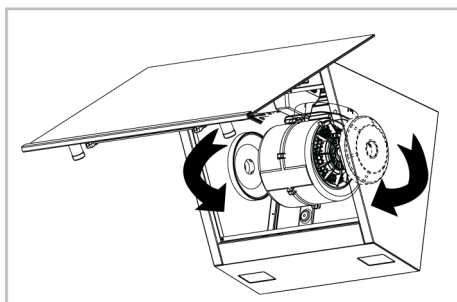
i In carbon-filtered usage, the sound level increases and the flow rate performance decreases.

Removing carbon filters

1. Open the glass cover of the hood and remove the aluminium filter.
2. Unscrew the carbon filters on the right and left of the motor holder.



3. Place the lug slots of your new carbon filters into the lugs on the motor holder and turn them clockwise to snap them into place.



4. Close the hood glass cover after installing the aluminium filter.

6.5 Hood Lamp

In the event of a lamp malfunction in the hood, contact your local dealer or the Customer Service, and ensure that the lamp is replaced.

7 Troubleshooting

If the problem persists after following the instructions in this section, contact your vendor or an Authorized Service. Never try to repair your product yourself.

Product is not working.

- Fuse may be faulty or blown. >>> Check the fuses in the fuse box. Change them if necessary or reactivate them.
- The product may not be plugged in. >>> Check if the product is plugged in to the outlet or not.
- The speed button may not be set. >>> Press/touch the desired speed button.
- There may be no electricity. >>> Ensure the mains is operational and check the fuses in the fuse box. Change the fuses if necessary or reactivate them.

Hood light is not on.

- Hood lamp may be faulty. >>> Contact your local dealer where you purchased your product or the Customer Service, and ensure that the lamp is replaced.
- There may be no electricity. >>> Ensure the mains is operational and check the fuses in the fuse box. Change the fuses if necessary or reactivate them.

Witamy!

Drogi kliencie,

Dziękujemy za wybór urządzenia Beko. Chcemy, aby produkt, wyprodukowany w wysokiej jakości i technologii, oferował najlepszą wydajność. W tym celu należy uważnie przeczytać niniejszą instrukcję i inną dokumentację dostarczoną z urządzeniem przed użyciem. Pamiętaj o wszystkich informacjach i ostrzeżeniach zawartych w instrukcji obsługi. W ten sposób będziesz chronić siebie i swoje urządzenie przed zagrożeniami, które mogą wystąpić.

Zachowaj instrukcję obsługi. Przekazując wyrób innemu użytkownikowi, należy dołączyć również niniejszą instrukcję. Niniejsza instrukcja zawiera warunki gwarancji, sposób użytkowania i rozwiązywanie problemów.

Symbole i ich opisy w instrukcji obsługi:



Zagrożenie, które może doprowadzić do śmierci lub obrażeń.



Ważne informacje lub przydatne wskazówki na temat użytkowania.



Przeczytaj instrukcję obsługi.



Ostrzeżenie przed gorącymi powierzchniami.

UWAGA Zagrożenie, które może doprowadzić do szkody materialną produktu lub jego środowiska.

Niniejsze urządzenie jest zgodne z następującymi

Dyrektywami Unii Europejskiej:

- 2014/30/WE LVD (Niskie Napięcia)

- 2014/35/WE EMC (Kompatybilność Elektromagnetyczna)

Importer: Beko S.A.

ul. Puławska 366, 02-819 Warszawa

Spis treści

1 Instrukcje bezpieczeństwa.....	24
1.1 Przeznaczenie.....	24
1.2 Bezpieczeństwo dzieci, osób wymagających szczególnego traktowania i zwierząt domowych	24
1.3 Bezpieczeństwo elektryczne.....	25
1.4 Zabezpieczenie podczas transportu	27
1.5 Bezpieczeństwo montażu	27
1.6 Bezpieczeństwo użytkowania.....	28
1.7 Bezpieczeństwo konserwacji i czyszczenia.....	30
2 Instrukcje dotyczące środowiska	30
2.1 Dyrektywa w sprawie odpadów ...	30
2.1.1 Zgodność z dyrektywą WEEE i usuwanie odpadów	30
2.2 Opakowanie urządzenia	31
3 Produkt	31
3.1 Wprowadzenie produktu	31
3.2 Akcesoria.....	31
3.3 Specyfikacje techniczne.....	33
4 Pierwsze użycie	34
4.1 Czyszczenie wstępne	34
5 Korzystanie z okapu	34
6 Czyszczenie i konserwacja	37
6.1 Ogólne informacje dotyczące czyszczenia.....	37
6.2 Czyszczenie panelu sterowania...	38
6.3 Filtr aluminiowy	39
6.4 Filtr węglowy (użytkowanie bez komina)	39
6.5 Lampa okapu	40
7 Rozwiązywanie problemów	40

1 Instrukcje bezpieczeństwa

- Rozdział ten omawia instrukcje bezpieczeństwa, które pomogą zapobiec ryzyku uszkodzenia ciała lub mienia.
- Jeśli produkt zostanie przekazany komuś innemu do użytku osobistego lub do użytku z drugiej ręki, należy również przekazać instrukcję obsługi, etykiety oraz inne istotne dokumenty i części.
- Nasza firma nie ponosi odpowiedzialności za szkody, które mogą wystąpić w przypadku nieprzestrzegania tych instrukcji.
- Nieprzestrzeganie tych instrukcji spowoduje unieważnienie udzielonej gwarancji.
- Prace montażowe i naprawcze należy zawsze zlecać producentowi, autoryzowanemu serwisowi lub osobie wyznaczonej przez firmę importera.
- Używaj tylko oryginalnych części zamiennych i akcesoriów.
- Nie należy naprawić lub wymienić żadnych elementów urządzenia, chyba że jest to wyraźnie określone w instrukcji obsługi.
- Nie dokonuj modyfikacji technicznych urządzenia.

1.1 Przeznaczenie

- To urządzenie przeznaczone jest do użytku domowego. Nie jest przeznaczony do użytku komercyjnego.
- Nie wolno używać tego urządzenia w ogrodach, na balkonach lub w innych miejscach na zewnątrz. Urządzenie to jest przeznaczone do użytku w gospodarstwach domowych oraz w kuchniach pracowniczych sklepów, biur i innych środowisk pracy.

1.2 Bezpieczeństwo dzieci, osób wymagających szczególnego traktowania i zwierząt domowych

- Niniejszy urządzenie może być użytkowane przez dzieci w wieku co najmniej 8 lat i przez osoby o obniżonych możliwościach fizycznych, umysłowych i osoby o braku doświadczenia i znajomości urządzenia, jeżeli zapewniony zostanie nadzór lub instruktaż odnośnie użytkowania urządzenia w bezpieczny sposób, tak aby związane z tym zagrożenia były zrozumiałe.

- Dzieciom nie wolno używać urządzenia do zabawy. Czyszczenia i konserwacji nie mogą wykonywać dzieci bez nadzoru.
- Niniejszy sprzęt może być użytkowany przez osoby o obniżonych możliwościach fizycznych, zmysłowych i umysłowych (w tym dzieci), jeżeli zapewniony zostanie nadzór lub instruktaż odnośnie użytkowania sprzętu w bezpieczny sposób.
- Dzieci nie należy pozostawiać bez opieki, aby mieć pewność, że nie będą się one bawić urządzeniem.
- Produkty elektryczne są niebezpieczne dla dzieci i zwierząt domowych. Dzieciom i zwierzętom nie wolno używać urządzenia do zabawy.
- Trzymaj materiał użyty do opakowania z dala od dzieci. Ryzyko obrażeń i uduszenia.
- Przed wyrzuceniem zużytych i bezużytecznych produktów:
 1. Wyjmij wtyczkę zasilania i odłącz ją (jeśli produkt jest podłączony do zasilania).
 2. Odetnij kabel zasilający i odłącz go wraz z wtyczką od produktu.
 3. Nie pozwalaj dzieciom bawić się produktem, gdy jest on w trybie bezczynności.



1.3 Bezpieczeństwo elektryczne

- Urządzenie podłączyć do uzziemionego gniazdka chronionego bezpiecznikiem odpowiadającym prądowi wskazanemu na tabliczce znamionowej. Instalację uziemienia należy zlecić wykwalifikowanemu elektrykowi. Nie używać produktu bez uziemienia zgodnie z lokalnymi/krajowymi przepisami.
- Wtyczka lub złącze elektryczne urządzenia powinno znajdować się w łatwo dostępnym miejscu. Jeśli nie jest to możliwe, powinien istnieć mechanizm (bezpiecznik, wyłącznik, przełącznik itp.) w instalacji elektrycznej, do której urządzenie jest podłączone, zgodnie z przepisami elektrycznymi i oddzielając wszystkie bieguny od sieci.
- Odłącz produkt od zasilania lub wyłącz bezpiecznik przed naprawą, konserwacją lub czyszczeniem.
- Podłącz urządzenie do gniazdka, które spełnia wartości napięcia i częstotliwości podane na tabliczce znamionowej.
- (Jeśli urządzenie nie jest wyposażone w kabel sieciowy) używaj wyłącznie przewodu

połączeniowego opisanego w rozdziale „Specyfikacje techniczne”.

- Nie podłączaj okapu do zasilania, dopóki nie zostanie zamontowany.
 - Nie należy blokować kabla zasilającego pod i za urządzeniem. Nie umieszczaj ciężkich przedmiotów na kablu zasilającym. Kabel zasilający nie powinien być skręcony, zgnieciony i nie powinien stykać się z żadnym źródłem ciepła.
 - Nie instaluj głównego przewodu elektrycznego w pobliżu grzejników. Przewód może się stopić, powodując pożar.
 - Należy upewnić się, że kabel zasilający nie został zablokowany podczas umieszczania produktu po montażu lub czyszczeniu.
 - Nie podłączaj okapu do zasilania, dopóki nie zostanie zamontowany.
 - Używać tylko oryginalnego kabla. Nie wolno używać przeciętych lub uszkodzonych kabli.
 - Nie używaj przedłużacza ani wtyczki wielofunkcyjnej do obsługi produktu.
 - Skontaktuj się z autoryzowanym centrum serwisowym lub importerem w celu użycia zatwierdzonego adaptera w przypadkach, gdy konieczne jest użycie adaptera konwertera (dla typu wtyczki).
 - Jeśli długość przewodu zasilającego jest niewystarczająca, skontaktuj się z importem lub autoryzowanym centrum serwisowym.
 - Przenośne źródła zasilania lub wielokrotne wtyczki mogą się przegrzać i zapalić. Trzymaj wiele wtyczek i przenośnych źródeł zasilania z dala od produktu.
 - W przypadku uszkodzenia kabla zasilającego musi on zostać wymieniony przez producenta, autoryzowany serwis lub osobę wskazaną przez firmę importera w celu uniknięcia ewentualnych zagrożeń.
 - Jeśli urządzenie ma wtyczkę, nie należy wykonywać połączeń elektrycznych poprzez odłączenie wtyczki podczas instalacji. Połączenia wykonane przez odcięcie powodują utratę gwarancji na produkt i zagrażają bezpieczeństwu użytkownika.
- Jeśli urządzenie jest wyposażone w kabel zasilania i wtyczkę:
- Nigdy nie podłączaj wtyczki produktu do uszkodzonej, poluzowanej lub wyjętej wtyczki z gniazdka. Upewnij się, że wtyczka jest całkowicie wło-

żona do gniazda. W przeciwnym razie połączenia mogą się przegrzać i spowodować pożar.

- Unikaj wkładania urządzenia do wtyczek, które są zatłuszczone, nieczyste lub potencjalnie narażone na kontakt z wodą (np. w pobliżu blatu roboczego, z którego może wydostawać się woda). W przeciwnym razie istnieje ryzyko zwarcia i porażenia prądem.
- Nie wolno dotykać wtyczki mokrymi rękami!
- Wyciągaj wtyczkę z gniazdka, używając korpusu wtyczki, a nie samego przewodu.

1.4 Zabezpieczenie podczas transportu

- Przed transportem odłącz urządzenie od sieci.
- Produkt jest ciężki, dlatego powinny go przenosić co najmniej dwie osoby.
- Nie umieszczaj żadnych przedmiotów na urządzeniu. Przenoś urządzenie w pozycji pionowej.
- Jeśli urządzenie ma być transportowane, należy owinąć je folią bąbelkową lub grubym kartonem i szczelnie zakleić taśmą. Mocno zabezpiecz ruchome części produktu, aby zapobiec ich uszkodzeniu.

- Przed zainstalowaniem urządzenia sprawdź, czy nie został on uszkodzony podczas transportu. W przypadku uszkodzenia skontaktuj się z importerem lub autoryzowanym centrum serwisowym.

1.5 Bezpieczeństwo montażu

- Aby urządzenie było gotowe do użycia, najpierw podaj miejsce instalacji i zleć wykonanie instalacji elektrycznej. Prace montażowe należy zawsze zlecać producentowi, autoryzowanemu serwisowi lub osobie wyznaczonej przez firmę importera.
- Aby urządzenie było gotowe do użycia, najpierw podaj miejsce instalacji i zleć wykonanie instalacji elektrycznej. Skontaktuj się z autoryzowanym serwisem w celu przeprowadzenia instalacji. Po przeprowadzeniu instalacji przez autoryzowany serwis rozpoczyna się okres gwarancji.
- Przed rozpoczęciem instalacji odłącz napięcie od linii zasilającej, do której podłączony będzie produkt, wyłączając bezpiecznik.

- Podczas transportu i montażu należy nosić rękawice ochronne. W przeciwnym razie istnieje ryzyko obrażeń spowodowanych ostrymi krawędziami!
- Przed zamontowaniem urządzenia należy sprawdzić czy nie posiada uszkodzeń. Nie należy instalować produktu, jeśli jest uszkodzony.
- Unikaj używania jakichkolwiek materiałów termoizolacyjnych do przykrycia wnętrza mebli, które będą instalowane.
- W miejscu instalacji produktu nie może znajdować się bezpośrednio światło słoneczne ani źródła ciepła, takie jak grzejniki elektryczne lub grzejniki gazowe.
- Jeśli za miejscem instalacji produktu znajduje się gniazdko elektryczne, należy upewnić się, że produkt nie styka się z gniazdkiem ani z wtyczką podłączoną do gniazdka.
- W przypadku korzystania z połączeń kominowych, zleć wykwalifikowanemu osobom ocenę przydatności kominu, do którego produkt zostanie podłączony.
- Wysokość między dolną powierzchnią okapu a górną powierzchnią kuchenki nie powinna być mniejsza niż 650 mm w przypadku piekarników gazowych i 500 mm w przypadku piekarników elektrycznych. W przeciwnym razie ciepło lub płomień z płyty grzewczej będą miały wpływ na produkt i będą stanowić zagrożenie dla bezpieczeństwa.
- Nigdy nie podłączaj okapu do przewodów kominowych używanych jako grzejniki płomieniowe lub grzejniki emitujące płomień. Należy przestrzegać lokalnych przepisów dotyczących oczyszczania odpływu.
- Do podłączenia przewodu kominowego do urządzenia należy użyć rur o średnicy 120 mm. Połączenie rurowe powinno być jak najkrótsze i mieć mało zagięć.



1.6 Bezpieczeństwo użytkowania

- **Niebezpieczeństwo zatrucia!** Podczas pracy urządzenia powietrze jest pobierane z całego domu. W przypadku braku odpowiedniej wentylacji, następuje przepływ powietrza, a odpady i toksyczne gazy uwalniane w wyniku spalania w domu są ponownie wchłaniane. Nie używaj urządzenia razem z urządzeniami, które zapewniają cyrkulację powietrza i mogą wydzielać tok-

syczne gazy (piecyki na drewno, gaz, olej i węgiel, kotły, bojler itp.).

- Upewnij się, że urządzenie jest wyłączone po każdym użyciu.
- Nie używaj produktu, jeśli ulegnie on awarii lub uszkodzeniu podczas użytkowania. odłącz urządzenie od zasilania. Skontaktuj się z importerem lub autoryzowanym centrum serwisowym.
- Nie dotykaj lamp okapu po dłuższym użytkowaniu urządzenia. Gorące lampy mogą poparzyć rękę.
- Nie używaj urządzenia bez filtra oleju. Nie wyjmuj filtrów podczas pracy urządzenia. W przeciwnym razie olej może negatywnie wpłynąć na produkt i połączenia elektryczne.
- Nie wytwarzaj wysokiego płomienia pod urządzeniem. W przeciwnym razie olej w filtrze oleju może się zapalić, powodując pożar.
- Przed zdjęciem garnków, patelni itp., wyłącz płytę. W przeciwnym razie produkt może zostać uszkodzony przez płomień i rosnące ciepło.
- Nigdy nie kładź na okapie niczego łatwopalnego ani przedmiotów podatnych na upadek. W przeciwnym razie mogą one spaść na chmiel i spowodować ryzyko poparzenia lub wpaść do żywności i zranić użytkownika.
- Nie trzymaj pod okapem materiałów łatwopalnych.
- (Dla modeli A i B) Uruchom okap na kolejne 15 minut po zakończeniu gotowania lub smażenia, aby dokładnie oczyścić powietrze w kuchni z zapachów i oparów powstających podczas gotowania.
- (Z wyjątkiem produktów, które odprowadzają powietrze wylotowe do pomieszczenia) Jeśli okap jest używany w tym samym miejscu, co urządzenia spalające gaz lub paliwo płynne, należy zapewnić dobrą wentylację pomieszczenia.
- Należy całkowicie zaizolować komin takich urządzeń, jak grzejniki pokojowe, które są zasilane gazem lub paliwem płynnym w środowisku, w którym używany jest okap, lub urządzenie musi być hermetyczne.
- Jeśli w tym samym miejscu z okapem jest inne urządzenie działające na energię inną niż energia elektryczna, podciśnienie w pomieszczeniu powinno wynosić najwyżej 0,04 mbar, aby spaliny z drugiego

- urządzenia nie były wciągane z powrotem do pomieszczenia przez okap
- Na uchwytach okapu nie należy wieszkać materiałów łatwopalnych i palnych (jeśli takie istnieją).
 - Pod okapem nie może znajdować się otwarty ogień. (na przykład: płomień)
 - **Uwaga:** Dostępne części mogą się nagrzewać podczas korzystania z kuchenki.

- Przy normalnym użytkowaniu zaleca się czyszczenie filtra raz w miesiącu. W przeciwnym razie nagromadzony w filtrze olej może się zapalić i stanowić zagrożenie.
- Nie wolno myć produktu, spryskując go lub polewając wodą! Istnieje ryzyko porażenia prądem!
- Nie używaj myjek parowych do czyszczenia urządzenia, ponieważ może to spowodować porażenie prądem.

1.7 Bezpieczeństwo konserwacji i czyszczenia



- Należy czyścić tłuszcz nagromadzony na okapie i filtrze tłuszczu w określonych odstępach czasu. Istnieje ryzyko pożaru!

2 Instrukcje dotyczące środowiska

2.1 Dyrektywa w sprawie odpadów

2.1.1 Zgodność z dyrektywą WEEE i usuwanie odpadów

Niniejszy wyrób jest zgodny z dyrektywą Parlamentu Europejskiego i Rady (2012/19/UE). Urządzenie posiada symbol klasyfikacji zużytego sprzętu elektrycznego i elektronicznego (WEEE).



urządzenie zostało wyprodukowane z wysokiej jakości części i materiałów, które mogą być ponownie użyte i nadają się do recyklingu. Dlatego nie należy wyrzucać zużytego produktu wraz z normalnymi odpadami

domowymi i innymi po zakończeniu użytkowania. Zanieś urządzenie do punktu zbiórki w celu recyklingu sprzętu elektrycznego i elektronicznego. O punkty zbiórki możesz zapytać administrację lokalną. Właściwa utylizacja urządzenia pomaga zapobiegać negatywnym skutkom dla środowiska i zdrowia ludzi.

Zgodność z dyrektywą RoHS:

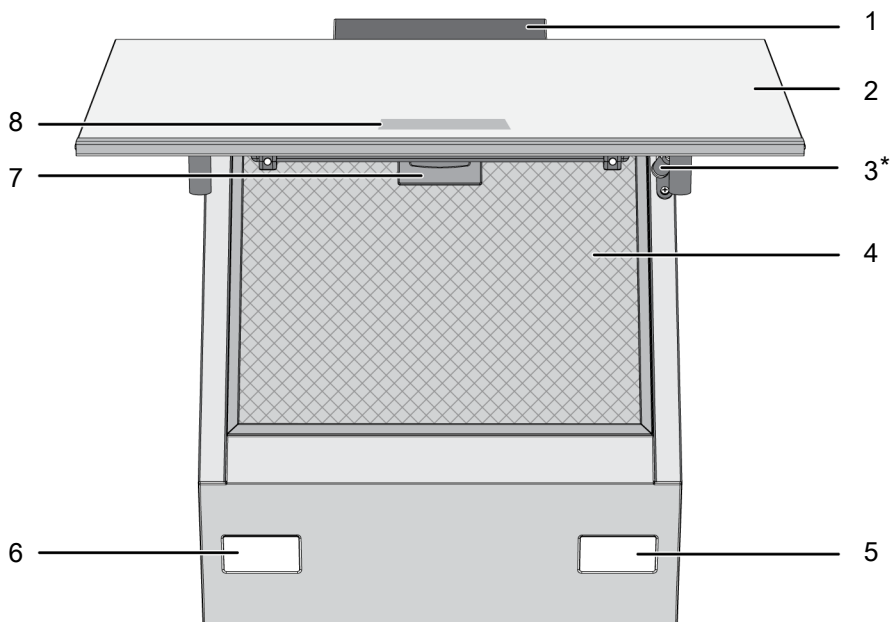
Niniejszy wyrób jest zgodny z dyrektywą Parlamentu Europejskiego i Rady RoHS (Ograniczenie użycia substancji niebezpiecznych) (2011/65/WE). Nie zawiera szkodliwych i zakazanych materiałów, podanych w tej dyrektywie.

2.2 Opakowanie urządzenia

Opakowanie produktu jest wytwarzane z materiałów nadających się do recyklingu zgodnie z naszymi krajowymi przepisami ochrony środowiska. Nie wyrzucaj odpadów opakowaniowych razem z odpadami domowymi ani innymi odpadami, oddaj je do punktów zbiórki materiałów opakowaniowych wyznaczonych przez władze lokalne.

3 Produkt

3.1 Wprowadzenie produktu



1 Korpus okapu

3 Amortyzator

5 Oświetlenie

7 Blokada filtra aluminiowego

2 Szklana pokrywa okapu

4 Filtr aluminiowy

6 Oświetlenie

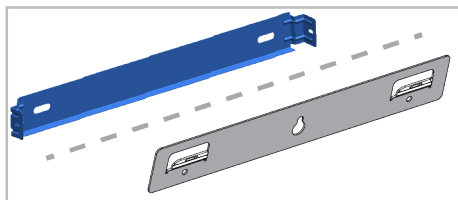
8 Panel sterowania

* W zależności od modelu. Może nie być dostępny w Twoim produkcie.

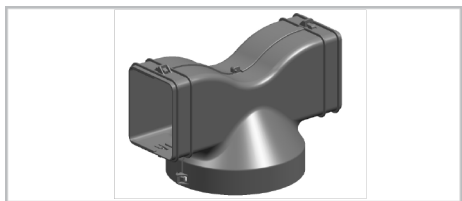
3.2 Akcesoria

Dostarczone akcesoria różnią się w zależności od modelu. Nie wszystkie opisane akcesoria znajdują się w Twoim urządzeniu.

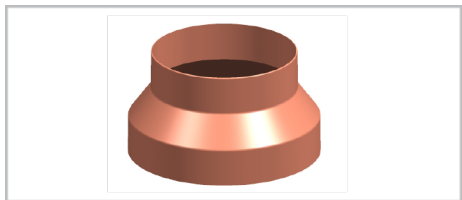
Część do montażu na ścianie



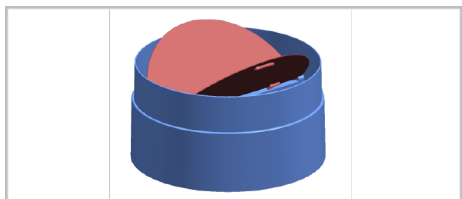
Air router



Adapter do podłączenia komina



Ośłony zapobiegające cofaniu się powietrza



3.3 Specyfikacje techniczne

Wymiary zewnętrzne produktu (wysokość/szerokość/głębokość) (mm)	min. 910 - max. 1138 /595 /419
Napięcie/Częstotliwość	220-240 V ~1N; 50 Hz
Całkowite zużycie energii	max. 155 W
Moc ssania	408 m3/h
Średnica rury wylotowej powietrza	120-150 mm

PL

Kontrola	
Model A	3 poziomy
Model B	3 poziomy + 1 booster
Model C	3 poziomy + 1 booster



W celu poprawy jakości produktu specyfikacje techniczne mogą ulec zmianie bez uprzedniego powiadomienia.



Rysunki w niniejszej instrukcji są schematyczne i mogą nie pasować dokładnie do konkretnego produktu.



Wartości podane na etykietach produktu lub w dołączonej do nich dokumentacji są uzyskiwane w warunkach laboratoryjnych zgodnie z odpowiednimi normami. W zależności od warunków operacyjnych i środowiskowych produktu wartości te mogą się różnić.

4 Pierwsze użycie

Przed rozpoczęciem korzystania z urządzenia zaleca się wykonanie poniższych czynności, odpowiednio w poniższych sekcjach.

4.1 Czyszczenie wstępne

1. Usuń wszystkie materiały opakowania.
2. Wytrzyj powierzchnie produktu wilgotną szmatką lub gąbką i wytrzyj szmatką.

UWAGA: Niektóre deterenty lub środki czyszczące mogą uszkodzić powierzchnię. Podczas czyszczenia nie używaj środków do szorowania, proszków do czyszczenia, kremów ani ostrych przedmiotów.

UWAGA: Przy pierwszym użyciu przez kilka godzin może pojawić się dym i nieprzyjemny zapach. Jest to normalne i do ich usunięcia wystarczy dobra wentylacja. Unikaj bezpośredniego wdychania dymu i zapachów, które się tworzą.

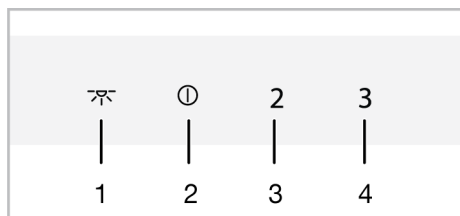
5 Korzystanie z okapu

Okap posiada silnik o różnych prędkościach. Zalecamy używanie niskich prędkości w normalnych warunkach i dużych prędkości w przypadku silnego zapachu i kondensacji pary, aby zapewnić dobre działanie.



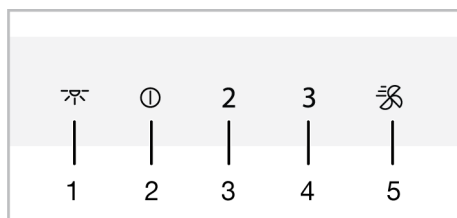
Program jest anulowany, jeśli zostanie odcięte zasilanie, gdy jakkolwiek program w okapie jest aktywny.

MODEL A



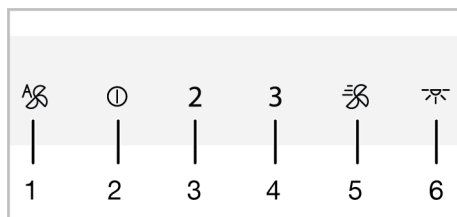
- 1 Przycisk oświetlenia
- 2 On/Off / Przycisk Prędkość 1
- 3 Przycisk Prędkość 2
- 4 Przycisk Prędkość 3

MODEL B



- 1 Przycisk oświetlenia
- 2 On/Off / Przycisk Prędkość 1
- 3 Przycisk Prędkość 2
- 4 Przycisk Prędkość 3
- 5 Przycisk Booster

MODEL C




- 1 Przycisk trybu automatycznego
- 2 On/Off / Przycisk Prędkość 1
- 3 Przycisk Prędkość 2
- 4 Przycisk Prędkość 3
- 5 Przycisk Booster
- 6 Przycisk oświetlenia

Obsługa okapu


1. Naciśnij przycisk poziomu prędkości, który wybrałeś do obsługi okapu.



⇒ Zaświeci się przycisk ustawionego poziomu prędkości.

- Możesz dotknąć innych przycisków poziomu prędkości, aby zmienić poziom prędkości.



 Jeśli nie zostanie naciśnięty żaden przycisk, urządzenie będzie działać przez maksymalnie 6 godzin.


Wyłączanie okapu

- Aby wyłączyć okap, należy ponownie dotknąć przycisku poziomu, na którym pracuje okap lub przycisku .

 Jeśli naciśniesz przycisk  z aktywnej dowolną funkcją poza lampą, funkcja zostanie anulowana.


Włączanie trybu intensywnej wentylacji (Booster) (dla modeli B i C)

- Jednokrotne naciśnięcie przycisku  uruchamia okap w trybie intensywnej wentylacji.
 - ⇒ Uruchamia się tryb intensywnej wentylacji i trwa maksymalnie 10 minut. W tym czasie przycisk  świeci się. Po 10 minutach urządzenie nadal pracuje w trybie Prędkość 3, a przycisk Prędkość 3 świeci się.

 W trybie intensywnej wentylacji, po naciśnięciu dowolnego przycisku prędkości, powraca on do tego poziomu prędkości i kontynuuje działanie.


Obsługa lampy

- Naciśnij , aby zacząć korzystać z lampy.
 - ⇒ Zapala się lampa okapu. (Dla modeli B i C) Jeśli w ciągu pierwszej minuty ponownie dotkniesz przycisku , lampa będzie nadal świecić z niskim poziomem natężenia oświetlenia. Jeśli dotkniesz go ponownie po 1 minucie od włączenia, lampa wyłączy się.

 Lampy oświetlające działają maksymalnie przez 12 godzin.

Wyłączanie lampy


- Minutę po włączeniu lampy okapu można ją wyłączyć, ponownie naciskając przycisk .


 (Dla modeli B i C) Jeśli w ciągu pierwszej 1 minuty po włączeniu lampy ponownie dotkniesz przycisku , lampa przełączy się na niski poziom oświetlenia.

Ustawianie koloru podświetlenia lampy (dla modeli B i C)

Możesz wykorzystać kolor lampek oświetlających Twój okap w 3 różnych odcieniach.


- Przy włączonej lampie okapu naciśnij przycisk dłużej niż 2 sekundy.
 - ⇒ Lampa zmieni odcień.
- Jeśli nadal będziesz dotykać przycisku , po każdym 2 sekundach będzie on zmieniał się na kolejny odcień koloru. Jeśli pojawi się żądany odcień, przestań naciskać przycisk . Odcień włączy się automatycznie.

 Odcienie można zmienić tylko wtedy, gdy lampa świeci intensywnie.

 W przypadku przerwy w dostawie prądu, okap zapamięta ustawiony kolor, a lampa będzie świecić w kolorze, który był ostatnio wybrany.

Tryb automatyczny (dla modelu C)


Twój okap mierzy temperaturę powietrza w kuchni i powietrza pochodzącego z Twojej płyty grzewczej za pomocą czujnika. W trybie automatycznym określa wymagane poziomy, aby temperatura powietrza z płyty grzewczej odpowiadała temperaturze powietrza w kuchni i pracuje na poziomach ustalonych automatycznie.

1. Aby włączyć tryb automatyczny dotknij przycisku .

⇒ Tryb automatyczny jest włączony i działa do momentu, gdy temperatura powietrza z płyty grzewczej zrówna się z temperaturą otoczenia. Wyłączy się automatycznie po wyrównaniu temperatury. Musisz ponownie włączyć tryb automatyczny, aby go ponownie aktywować.



Gdy tryb automatyczny jest włączony, zostanie on anulowany po włączeniu i wyłączeniu urządzenia z dowolną prędkością.

2. Aby wcześniej wyłączyć tryb automatyczny, należy ponownie nacisnąć przycisk .



Jeśli otworzysz pokrywę urządzenia, gdy włączony jest tryb automatyczny, jego wydajność spadnie. Nie należy otwierać pokrywy, gdy aktywny jest tryb automatyczny.



Jeśli różnica temperatur otoczenia wystąpi nawet wtedy, gdy płyta grzewcza nie pracuje, podczas gdy tryb automatyczny jest aktywny, czujnik temperatury w urządzeniu wykryje różnicę i urządzenie może rozpocząć pracę z prędkością 2 lub 3 w zależności od różnicy. W takim przypadku tryb automatyczny zostanie wyłączony po wyrównaniu się różnicy temperatur.



Nie używaj trybu automatycznego, gdy Twoja płyta grzewcza nie działa.

Tryb oczyszczania powietrza (dla modeli B i C)

Możesz użyć trybu oczyszczania powietrza, aby wyeliminować nieprzyjemny zapach w swoim domu przez długi czas używając niskiego poziomu.

1. Naciśnij przycisk Prędkość 1 przez ponad 3 sekundy.

⇒ Tryb oczyszczania powietrza został włączony. Kontrolka przycisku Przycisk Prędkości 1 miga, gdy tryb oczyszczania powietrza jest włączony.

2. Tryb oczyszczania powietrza będzie działał z prędkością 1 przez 10 minut w ciągu 1 godziny i zatrzyma się na 50 minut. Jeśli nie wyłączysz trybu oczyszczania powietrza, pozostanie on aktywny przez 10 minut, a następnie zatrzyma się na 50 minut w każdej godzinie przez 24 godziny.



Gdy tryb oczyszczania powietrza jest włączony, jest on automatycznie anulowany po naciśnięciu dowolnego przycisku z wyjątkiem przycisku lampy. Okap nadal działa zgodnie z funkcją przycisku, którego dotykasz.

Ostrzeżenie o wypełnieniu filtra aluminiowego

Lampka przycisku Speed 2 miga przez trzydzieści sekund po każdym 100 godzinach pracy. Oczyścić filtry aluminiowe. Po czyszczeniu lampka ostrzegająca o klawiszu Speed 2 nie wyłącza się automatycznie. Ten produkt nadal wyświetla 30-sekundowe ostrzeżenie, gdy produkt wyłącza się po każdej operacji. Po dotknięciu przycisku Speed 2 przez ponad 3 sekundy ostrzeżenie o napełnieniu filtra aluminiowego zostaje zresetowane i lampka zostaje wyłączona.



Ostrzeżenie nie jest anulowane, jeśli zasilanie zostanie odcięte, gdy okap wyda ostrzeżenie o napełnieniu filtra aluminiowego. Gdy zasilanie jest dostępne, kontynuuje ostrzeżenie z migającą kontrolką klawisza Speed 2.

i Jeśli uruchomisz okap na dowolnym poziomie prędkości z ostrzeżeniem o zapełnieniu filtra aluminiowego, ostrzeżenie nie będzie się pojawiać tak długo, jak długo okap pracuje. Po wyłączeniu okapu ostrzeżenie o zapełnieniu zaczyna ponownie migać przez 30 sekund.

i Jeśli wyłączysz ostrzeżenie bez czyszczenia filtra aluminiowego, czas działania wynoszący 100 godzin zostanie zresetowany i naliczanie rozpocznie się od nowa. Pod koniec następných 100 godzin okap ponownie wyświetli ostrzeżenie.

Ostrzeżenie o wypełnieniu filtra węglowego (dla produktów z filtrem węglowym)

Lampka przycisku Speed 2 miga przez trzydzieści sekund po każdym 100 godzinach pracy. W takim przypadku należy wymienić filtr węglowy. W tym celu skontaktuj się z autoryzowanym serwisem. Po wymianie lampka ostrzegawcza przycisku Prędkości 2 nie wyłącza się automatycznie. Ten produkt nadal wyświetla 30-sekundowe ostrzeżenie, gdy produkt wyłącza się po każdej operacji. Po dotknięciu przycisku Speed 2 przez ponad 3 sekundy

ostrzeżenie o napełnieniu filtra węglowego zostaje zresetowane i lampka zostaje wyłączona.

i Ostrzeżenie nie zostanie anulowane, jeśli zasilanie zostanie odcięte w momencie, gdy okap wyda ostrzeżenie o napełnieniu filtra węglowego. Gdy zasilanie jest dostępne, kontynuuje ostrzeżenie z migającą kontrolką klawisza Speed 2.

i Jeśli uruchomisz okap na dowolnym poziomie prędkości z ostrzeżeniem o wypełnieniu filtra węglowego, ostrzeżenie nie pojawi się tak długo, jak pracuje okap. Po wyłączeniu okapu ostrzeżenie o zapełnieniu zaczyna ponownie migać przez 30 sekund.

i Jeśli wyłączysz ostrzeżenie bez wymiany filtra węglowego, czas działania wynoszący 100 godzin zostanie zresetowany i naliczanie rozpocznie się od nowa. Pod koniec następných 100 godzin ponownie zostanie wyświetlone ostrzeżenie.

6 Czyszczenie i konserwacja

6.1 Ogólne informacje dotyczące czyszczenia

Ostrzeżenia ogólne

- Przed czyszczeniem produktu należy poczekać, aż ostygnie. Gorące powierzchnie mogą powodować oparzenia!
- Nie nakładaj detergentu bezpośrednio na gorące powierzchnie. Może to spowodować trwałe plamy.
- Po każdym użyciu urządzenia powinno być dokładnie wyczyszczone i wysuszone. W ten sposób można łatwo usunąć resztki jedzenia i zapobiec ich przypaleniu podczas późniejszego użycia urzą-

dzenia. W ten sposób wydłuża się okres eksploatacji urządzenia i zmniejsza ilość często występujących problemów.

- Do czyszczenia nie należy używać środków do czyszczenia parą wodną.
- Niektóre detergenty lub środki czyszczące powodują uszkodzenie powierzchni. Nieodpowiednie środki czyszczące to: wybielacze, środki czyszczące zawierające amoniak, kwas lub chlorek, środki do czyszczenia parą wodną, środki do usuwania kamienia, środki do usuwania plam i rdzy, środki czyszczące o właściwościach ściernych (środki czyszczące w kremie, proszek do szorowania, krem do szorowania, druciak ścierny i drapią-

cy, druty, gąbki, ściereczki czyszczące zawierające brud i pozostałości środka czyszczącego).

- Do czyszczenia po każdym użyciu nie są potrzebne żadne specjalne środki czyszczące. Urządzenie należy czyścić płynem do mycia naczyń, ciepłą wodą i miękką ściereczką lub gąbką i osuszyć suchą szmatką.
- Pamiętaj, aby całkowicie wyczyścić pozostały płyn i natychmiast wyczyścić resztki żywności podczas gotowania.
- Nie myj żadnego elementu urządzenia w zmywarce, chyba że w instrukcji obsługi określono inaczej.

Inox - powierzchnie nierdzewne

- Do czyszczenia powierzchni i uchwytów ze stali nierdzewnej nie używaj środków czyszczących zawierających kwas lub chlor.
- Powierzchnia ze stali nierdzewnej może z czasem zmienić kolor. Jest to normalne. Po każdej pracy wyczyść je detergentem odpowiednim do powierzchni ze stali nierdzewnej lub inox.
- Czyść miękką ściereczką z mydłem i płynnym (nierysującym) detergentem odpowiednim do powierzchni ze stali nierdzewnej, uważając, aby wycierać w jednym kierunku.
- Plamy z wapna, oleju, skrobi, mleka i białka na powierzchniach szklanych i inox usuwać natychmiast, nie czekając. Plamy mogą rdzewieć pod wpływem długiego czasu.
- Środki czyszczące rozpylone lub nałożone na powierzchnię należy natychmiast usunąć. Pozostawione na powierzchni ściernie środki czyszczące powodują, że powierzchnia staje się biała.

Szklana powierzchnia

- Do czyszczenia powierzchni szklanych nie należy używać metalowych skrobaczków ani ściernych materiałów czyszczących. Mogą uszkodzić szklaną powierzchnię.

- Wyczyść urządzenie używając detergentu do mycia naczyń, ciepłej wody i ściereczki z mikrofibry przeznaczonej do powierzchni szklanych, a następnie osusz je suchą ściereczką z mikrofibry.
- Jeśli po czyszczeniu pozostaną resztki detergentu, przetrzyj je zimną wodą i osusz czystą i suchą ściereczką z mikrofibry. Resztki detergentu mogą następnym razem uszkodzić szklaną powierzchnię.
- W żadnym wypadku zaschniętej pozostałości na powierzchni szkła nie należy czyścić ząbkowanymi nożami, drutem lub podobnymi narzędziami do drapania.
- Plamy wapniowe (żółte plamy) można usunąć z powierzchni szkła za pomocą środka do usuwania kamienia, takiego jak ocet lub sok z cytryny.
- Jeśli powierzchnia jest mocno zabrudzona, nanieś na plamę środek czyszczący gąbką i długo odczekaj, aż zadziała. Następnie wyczyść szklaną powierzchnię wilgotną szmatką.
- Przebarwienia i plamy na szklanej powierzchni są normalne i nie są uznawane za wady.

Części z tworzyw sztucznych i malowane powierzchnie

- Plastikowe części i pomalowane powierzchnie należy czyścić za pomocą płynu do mycia naczyń, ciepłej wody i miękkiej szmatki lub gąbki, a następnie osuszyć suchą szmatką.
- Nie należy używać metalowych skrobaczków ani ściernych środków czyszczących. Mogą uszkodzić powierzchnie.
- Upewnij się, że połączenia elementów wyrobu nie są zawilgocone i pokryte detergentem. W przeciwnym razie na tych połączeniach może wystąpić korozja.

6.2 Czyszczenie panelu sterowania

- Podczas czyszczenia paneli z pokrętłami należy przetrzeć panel i pokrętła wilgotną, miękką ściereczką, a następnie wytrzeć do sucha. Nie należy zdejmować pokręteł i uszczelek znajdujących się

pod spodem w celu wyczyszczenia panelu. Panel sterujący i pokręta mogą ulec uszkodzeniu.

- Podczas czyszczenia paneli inox z pokrętłami nie należy używać środków czyszczących inox wokół pokręteł. Wskaźniki wokół pokręteł mogą zostać wymazane.
- Dotykowe panele sterowania należy wyczyścić wilgotną miękką szmatką i osuszyć suchą szmatką. Jeśli urządzenie ma funkcję blokady przycisków należy ustawić blokadę przed rozpoczęciem czyszczenia panelu sterowania. W przeciwnym razie na przyciskach może wystąpić nieprawidłowe wykrycie.

6.3 Filtr aluminiowy

Filtr ten służy do zatrzymywania cząstek oleju w powietrzu. **Przy normalnym użytkowaniu zaleca się czyszczenie filtra raz w miesiącu.** W tym celu:

1. Wyjmij aluminiowe filtry.
2. Umyj filtry w wodzie przy użyciu płynnego detergentu i zainstaluj ponownie po wyschnięciu.

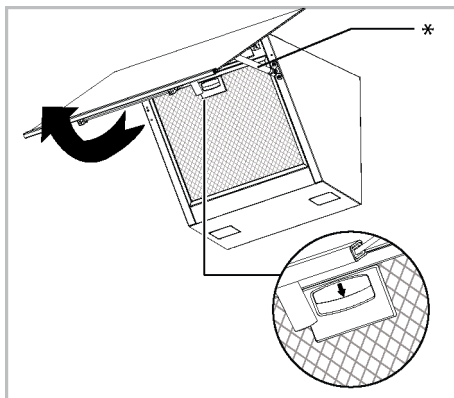
Filtry aluminiowe mogą zmieniać kolor podczas mycia; jest to normalne i nie wymaga wymiany filtrów.



Filtr aluminiowy można również myć w zmywarce. (max. 70°C)

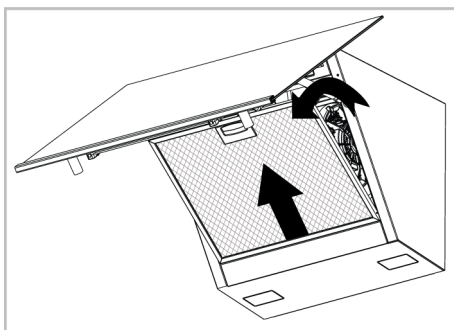
Wymywanie aluminiowych filtrów

1. Otwórz pokrywę okapu do góry i pociągnij aluminiową blokadę filtra w dół, jak pokazano na rysunku.



* Amortyzator jest opcjonalny. Może nie być dostępny w Twoim produkcie.

2. Delikatnie pociągnij filtr do siebie, a następnie do góry, aby wyjąć go z gniazda.



3. Po przepłukaniu ponownie zainstaluj filtr aluminiowy w gnieździe, wykonując powyższe czynności w odwrotnej kolejności.

6.4 Filtr węglowy (użytkowanie bez komina)

Ostrzeżenia ogólne

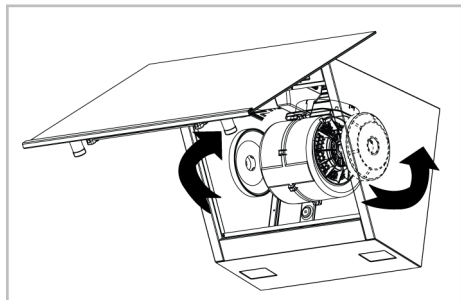
- Jeśli zamontowano produkt bez komina, należy wymieniać filtry węglowe co 4 miesiące podczas normalnego użytkowania. Filtr węglowy można zakupić w autoryzowanych serwisach.
- Nie wolno myć filtra węglowego.
- Nieprzestrzeganie zasad czyszczenia i wymiany filtrów okapu może spowodować pożar.



Przy zastosowaniu filtra węglowego wzrasta poziom dźwięku i spada wydajność przepływu.

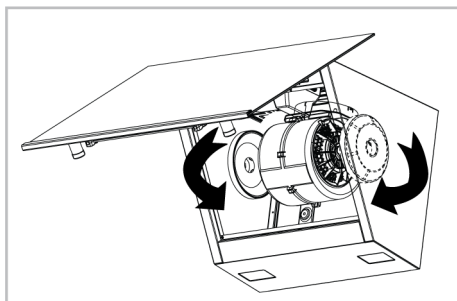
Usuwanie filtra węglowego

1. Otwórz szklaną osłonę okapu i wyjmij filtr aluminiowy.
2. Odkręć filtry węglowe po prawej i lewej stronie uchwytu silnika.



3. Umieść otwory na występy nowych filtrów węglowych w występkach na uchwycie silnika i obróć je w prawo, aby zatrzasknęły się na swoim miejscu.

PL



4. Po zainstalowaniu filtra aluminiowego zamknij szklaną pokrywę okapu.

6.5 Lampa okapu

W przypadku awarii lampy w okapie, skontaktuj się z lokalnym sprzedawcą lub obsługą klienta i upewnij się, że lampa została wymieniona.

7 Rozwiązywanie problemów

Jeśli problem nie zniknie po wykonaniu instrukcji podanych w tym rozdziale, skontaktuj się ze sprzedawcą lub autoryzowanym serwisem. Nigdy nie próbuj samodzielnie naprawić urządzenia.

Urządzenie nie działa.

- Bezpiecznik może być uszkodzony lub przepalony. >>> Sprawdź bezpieczniki w skrzynce. Zmień je, jeśli to konieczne, lub aktywuj je ponownie.
- Produkt może nie być podłączony. >>> Sprawdź, czy produkt jest podłączony do gniazdka.
- Przycisk prędkości może nie być ustawiony. >>> Naciśnij/dotknij żądany przycisk prędkości.
- Może nie być prądu. >>> Upewnij się, że sieć jest sprawna i sprawdź bezpieczniki w skrzynce. W razie potrzeby wymień bezpieczniki lub ponownie je włącz.

Lampka okapu nie świeci się.

- Lampa okapu może być uszkodzona. >>> Skontaktuj się z lokalnym sprzedawcą, u którego zakupiłeś urządzenie, lub z obsługą klienta i upewnij się, że lampa została wymieniona.
- Może nie być prądu. >>> Upewnij się, że sieć jest sprawna i sprawdź bezpieczniki w skrzynce. W razie potrzeby wymień bezpieczniki lub ponownie je włącz.

Bienvenue !

Cher client, chère cliente

Nous vous remercions d'avoir choisi l'appareil Beko . Nous voulons que votre appareil de haute qualité et doté d'une technologie de pointe vous offre une efficacité optimale. Pour ce faire, lisez attentivement ce manuel et tout autre document fourni avant d'utiliser l'appareil.

Tenez compte de toutes les informations et avertissements figurant dans le manuel d'utilisation. Ainsi, vous vous protégez, vous et votre produit, contre d'éventuels dangers.

Conservez le manuel d'utilisation. Si vous donnez l'appareil à quelqu'un d'autre, donnez également le manuel. Les conditions de garantie, les méthodes d'utilisation et de dépannage de votre appareil sont indiquées dans ce manuel.

Les symboles et leurs descriptions dans le manuel de l'utilisateur :



Danger pouvant entraîner la mort ou des blessures.



Informations importantes et conseils d'utilisation utiles.



Lisez le manuel d'utilisation.



Attention aux surfaces chaudes.

**RE-
MARQUE**

Danger pouvant entraîner des dommages matériels à l'appareil ou à son environnement.

Arçelik A.Ş.

Karaağaç caddesi No:2-6
34445 Sütlüce/Istanbul/TURKEY

Made in TURKEY

Table des matières

1	Consignes de sécurité	44
1.1	Utilisation prévue.....	44
1.2	Sécurité des enfants, des personnes vulnérables et des animaux domestiques	44
1.3	Sécurité électrique.....	45
1.4	Sécurité des transports.....	47
1.5	Sûreté des installations.....	47
1.6	Sécurité d'utilisation.....	48
1.7	Sécurité relative à l'entretien et au nettoyage	50
2	Instructions relatives à l'environnement	50
2.1	Directive sur les déchets	50
2.1.1	Conformité avec la directive DEEE et élimination des déchets	50
2.2	Informations sur l'emballage	51
3	Votre appareil.....	51
3.1	Présentation de l'appareil	51
3.2	Accessoires de l'appareil	52
3.3	Spécifications techniques.....	53
4	Première utilisation	54
4.1	Premier nettoyage	54
5	Utilisation de la hotte	54
6	Entretien et nettoyage	58
6.1	Consignes de nettoyage générales.....	58
6.2	Nettoyage du panneau de commande.....	59
6.3	Filtre en aluminium.....	59
6.4	Filtre à charbon (utilisation sans conduit de fumée).....	60
6.5	Lampe de la hotte	61
7	Dépannage	61

1 Consignes de sécurité

- Cette section contient les instructions de sécurité nécessaires à la prévention des risques de dommage corporel ou de dommage matériel.
 - Si l'appareil est remis à une autre personne pour un usage personnel ou à des fins d'utilisation d'occasion, le manuel d'utilisation, les étiquettes de l'appareil et les autres documents et pièces pertinents doivent également être remis.
 - Notre entreprise ne peut être tenue pour responsable des dommages qui peuvent survenir si ces instructions ne sont pas respectées.
 - Le non-respect de ces instructions annule toute garantie.
 - Faites toujours effectuer les travaux d'installation et de réparation par le fabricant, le service agréé ou une personne que l'entreprise importatrice désignera.
 - Utilisez uniquement des pièces d'origine et des accessoires d'origine.
 - Évitez de réparer ou de remplacer tout composant de l'appareil sauf si cela est clairement spécifié dans le manuel d'utilisation.
- N'apportez pas de modifications techniques à l'appareil.

1.1 Utilisation prévue

- Cet appareil est conçu pour être utilisé à domicile. Il n'est pas destiné à un usage commercial.
- N'utilisez pas l'appareil dans les jardins, les balcons ou autres environnements extérieurs. Cet appareil est destiné à une utilisation dans les ménages et dans les cuisines du personnel de magasins, de bureaux et d'autres environnements de travail.

1.2 Sécurité des enfants, des personnes vulnérables et des animaux domestiques

- Cet appareil peut être utilisé par des enfants de 8 ans et plus et par des personnes dont les aptitudes physiques, sensorielles ou mentales sont sous-développées, ou qui manquent d'expérience et de connaissances, à condition qu'ils soient encadrés ou formés à l'utilisation sécuritaire et aux dangers de l'appareil.

- Les enfants ne doivent pas jouer avec l'appareil. Ne laissez pas les enfants effectuer le nettoyage et l'entretien de l'appareil, à moins qu'ils soient sous surveillance.
 - Cet appareil ne doit pas être utilisé par des personnes ayant des capacités physiques, sensorielles ou mentales limitées (y compris les enfants), sauf si elles sont gardées sous surveillance ou reçoivent les instructions nécessaires.
 - Les enfants doivent être surveillés afin de s'assurer qu'ils ne jouent pas avec l'appareil.
 - Les appareils électriques sont dangereux pour les enfants et les animaux domestiques. Les enfants et les animaux de compagnie ne doivent pas jouer avec l'appareil.
 - Conservez les matériaux d'emballage hors de la portée des enfants. Ils pourraient entraîner des lésions ou une asphyxie.
 - Avant de mettre au rebut un appareil usagé ou hors service :
 1. Débranchez l'appareil (s'il est branché).
 2. Coupez le câble d'alimentation et détachez-le de l'appareil avec la fiche.
3. Ne laissez pas les enfants jouer avec l'appareil lorsqu'il est en veille.



1.3 Sécurité électrique

- Branchez l'appareil à un courant avec prise de terre protégée par un fusible qui correspond aux courants nominaux indiqués sur la plaque signalétique. Contactez un technicien qualifié pour l'installation de la mise à la terre. N'utilisez pas l'appareil sans prise de terre conformément aux réglementations locales / nationales.
- La fiche ou les raccords électriques de l'appareil doivent être facilement accessibles. Si cela est impossible, il doit y avoir un mécanisme (fusible, interrupteur, interrupteur à clé, etc.) sur l'installation électrique à laquelle l'appareil est connecté, conforme à la réglementation électrique et séparant tous les pôles du réseau.
- Débranchez l'appareil ou coupez le fusible avant toute tâche de réparation, de maintenance ou de nettoyage.
- Branchez l'appareil dans une prise conforme aux valeurs de tension et de fréquence indiquées sur la plaque signalétique.

- (Si l'appareil n'est pas équipé d'un câble d'alimentation) utilisez uniquement le câble de connexion présenté dans la section « Spécifications techniques ».
 - Ne branchez pas votre hotte avant qu'elle ne soit montée.
 - Ne bloquez pas le cordon d'alimentation sous et derrière l'appareil. Ne placez aucun objet lourd sur le cordon d'alimentation. Le cordon d'alimentation ne doit pas être plié, coincé, ni entrer en contact avec une source de chaleur.
 - N'installez pas le cordon d'alimentation près d'un radiateur. Le câble pourrait fondre et provoquer un incendie.
 - Assurez-vous de ne pas coincer le câble d'alimentation lors de la mise en place de l'appareil après le montage ou le nettoyage.
 - Ne branchez pas votre hotte avant qu'elle ne soit montée.
 - Utilisez uniquement des câbles originaux. N'utilisez pas de câbles endommagés.
 - N'utilisez pas de rallonge ni de multiprises pour brancher l'appareil.
 - Contactez le service technique agréé ou l'importateur pour utiliser l'adaptateur approuvé lorsque l'utilisation d'un adaptateur convertisseur (pour le type à brancher) est nécessaire.
 - Contactez l'exportateur ou le service technique agréé si la longueur du cordon d'alimentation est inappropriée.
 - Les sources d'alimentation portables ou les multiprises peuvent surchauffer ou prendre feu. Tenez les sources d'alimentation portables ou les multiprises loin de l'appareil.
 - Si le cordon d'alimentation est endommagé, il doit être remplacé par le fabricant, un service autorisé ou une personne désignée par l'entreprise importatrice afin de prévenir d'éventuels dangers.
 - Si votre appareil est équipé d'une fiche, n'effectuez pas de connexions électriques en débranchant la fiche pendant l'installation. Les connexions réalisées par coupure rendent la garantie du produit nulle et constituent un danger pour la sécurité de l'utilisateur.
- Si votre appareil est équipé d'un cordon et d'une fiche :
- Ne branchez jamais la fiche de l'appareil dans une prise cassée, détachée ou démontée. Assurez-vous que la fiche est entièrement insérée dans la

prise. Sinon, les branchements peuvent surchauffer ou prendre feu.

- Évitez d'insérer l'appareil dans des prises huileuses, sales ou potentiellement exposées à de l'eau (telles que celles près d'un plan de travail exposé à des fuites d'eau). Sinon, il y a un risque de court-circuit ou d'électrocution.
- Évitez de toucher la fiche avec des mains humides !
- Tirez la fiche de la prise en tenant le corps de la fiche plutôt que le cordon d'alimentation.

1.4 Sécurité des transports

- Avant le nettoyage, débranchez le produit de l'alimentation électrique avant de porter l'appareil.
- L'appareil est lourd, il doit être porté par au moins deux personnes.
- Ne posez pas d'objets sur l'appareil. Portez l'appareil verticalement.
- Lorsque vous souhaitez transporter l'appareil, emballez-le avec du matériel d'emballage à bulles ou du carton épais et attachez-le avec du ruban adhésif. Maintenez les parties

mobiles de l'appareil bien fermes afin d'éviter tout dommage.

- Avant d'installer l'appareil, vérifiez s'il présente des dommages résultant du transport. Contactez l'exportateur ou le service technique autorisé s'il présente des dommages.

1.5 Sûreté des installations

- Pour que votre appareil soit prêt à l'emploi, il faut premièrement indiquer le lieu d'installation et faire réaliser l'installation électrique. Faites toujours réaliser l'installation par le fabricant, le service technique agréé ou un technicien désigné par l'exportateur.
- Pour que votre appareil soit prêt à l'emploi, il faut premièrement indiquer le lieu d'installation et faire réaliser l'installation électrique. Contactez ensuite le service technique agréé pour faire réaliser l'installation. Une fois l'installation effectuée par le service technique agréé, la période de garantie commence.
- Avant de commencer l'installation, coupez la ligne d'alimentation à laquelle sera branché l'appareil en désactivant le fusible.

- Portez toujours des gants de protection lors du transport et de l'installation. Le non-respect de cette consigne peut entraîner un risque de blessure à cause de bords pointus.
- Avant d'installer l'appareil, vérifiez s'il présente des dommages. Ne faites pas installer l'appareil si celui-ci est endommagé.
- Évitez d'utiliser des matériaux d'isolation thermique pour recouvrir l'intérieur du meuble à installer.
- La zone d'installation de l'appareil ne doit être exposée aux rayons solaires ni à des sources de chaleur telles que les brûleurs électriques ou à gaz.
- Lorsqu'il se trouve une prise derrière l'emplacement d'installation de l'appareil, il est nécessaire de s'assurer que l'appareil n'est pas en contact avec cette prise ni qu'aucune fiche n'est branchée sur cette prise.
- Pour une utilisation avec des raccordements de cheminée, faites évaluer la cheminée à laquelle l'appareil sera raccordé par des techniciens qualifiés.
- La hauteur entre la surface inférieure de votre hotte et la surface supérieure du four ne doit pas être inférieure à 650 mm pour fours à gaz et à 500 mm pour les fours électriques. Autrement, l'appareil peut être affecté par la chaleur ou les flammes de la cuisinière, ce qui présente un risque de sécurité.
- Ne raccordez pas la hotte à des cheminées utilisées comme des chauffe-flammes ou des radiateurs à flammes. Respectez les réglementations locales en matière de purge de l'écoulement.
- Utilisez des tuyaux d'un diamètre de 120 mm pour raccorder un conduit de fumée à votre appareil. Le raccordement des tuyaux doit être aussi court que possible et comporter peu de coudes.

1.6 Sécurité d'utilisation

- **Danger d'empoisonnement !** Pendant que l'appareil fonctionne, l'air est aspiré dans toute la maison. Si la ventilation n'est pas suffisante, le flux d'air, les déchets et les gaz toxiques libérés par la combustion dans la maison sont réabsorbés. Ne faites pas fonctionner l'appareil avec des

appareils qui assurent la circulation de l'air et qui peuvent émettre des gaz toxiques (bois, gaz, poêle à pétrole à charbon, chaudières, chauffe-eau, etc.)

- Assurez-vous d'éteindre l'appareil après chaque utilisation.
- Cessez d'utiliser l'appareil s'il connaît une panne ou s'il est endommagé pendant l'utilisation. Débranchez l'appareil de la prise électrique. Contactez l'importateur ou le service technique agréé.
- Ne touchez pas les lampes de votre hotte après avoir utilisé la hotte pendant une longue période. Sinon, vous risquez de vous brûler la main.
- N'utilisez pas l'appareil sans filtre à huile. Ne retirez pas les filtres lorsque l'appareil est en marche. Autrement l'huile peut compromettre les performances de l'appareil et la sécurité des branchements électriques.
- Ne créez pas de flamme vive sous l'appareil. Autrement, l'huile retenue par le filtre à huile peut prendre feu, ce qui pourrait causer un incendie.
- Éteignez le four avant de retirer les casseroles, poêles, etc. des fours. Autrement, les performances de l'appareil peuvent être compromises par les flammes et la chaleur croissante.
- Évitez de placer des objets combustibles ou susceptibles de tomber sur la hotte. Autrement, ces objets pourraient tomber sur la hotte, brûler ou tomber dans celle-ci et heurter l'utilisateur.
- Ne gardez pas de matériaux facilement inflammables sous votre hotte.
- (Pour les modèles A et B) Faites fonctionner votre hotte pendant encore 15 minutes après le processus de cuisson ou de friture pour nettoyer complètement l'air de la cuisine des odeurs et des vapeurs générées pendant la cuisson.
- (À l'exception des denrées qui renvoient de l'air vicié dans la pièce) Le pièce doit être ventilée lorsque la hotte est utilisée à proximité de brûleurs à gaz ou à combustible liquide.
- La cheminée des appareils tels que les radiateurs fonctionnant au gaz ou au combustible liquide doit être entièrement isolé dans l'environnement d'utilisation de la haute, ou ces appareils doivent être de type hermétique.

- Si un autre appareil fonctionnant avec une énergie autre qu'électrique se trouve dans le même environnement avec ventilation, la pression négative dans la pièce doit être au maximum de 0,04 mbar afin que les gaz d'échappement de l'autre appareil ne soient pas aspirés dans la pièce par la ventilation.
- Évitez d'accrocher des matériaux inflammables sur les poignées de la hotte lorsque celle-ci en a.
- Il ne doit pas y avoir de feu ouvert sous le capot. (par exemple : flambé)
- **Mise en garde** : Les parties accessibles peuvent chauffer lorsqu'elles sont utilisées avec une cuisinière.



1.7 Sécurité relative à l'entretien et au nettoyage

- La graisse accumulée dans la hotte et le filtre à huile doit être nettoyée à intervalles réguliers. Autrement, un incendie pourrait survenir !
- Il est recommandé de nettoyer le filtre une fois par mois dans des conditions normales d'utilisation. Sinon, l'huile accumulée dans le filtre peut prendre feu, ce qui constitue une situation dangereuse.
- Ne lavez jamais l'appareil par pulvérisation ou aspersion d'eau ! Il existe un risque d'électrocution !
- N'utilisez pas de nettoyeur vapeur pour nettoyer l'appareil, car il peut provoquer un choc électrique.

2 Instructions relatives à l'environnement

2.1 Directive sur les déchets

2.1.1 Conformité avec la directive DEEE et élimination des déchets

Cet appareil est conforme à la directive DEEE de l'Union européenne (2012/19/UE). Le produit possède un symbole de classification attribué aux déchets d'équipements électriques et électroniques (DEEE).



Ce produit a été fabriqué avec des pièces et matériaux de qualité supérieure, réutilisables et adaptés au recyclage. Par conséquent, ne le mettez pas

au rebut avec les ordures ménagères et d'autres déchets à la fin de sa durée de vie. Rendez-vous dans un point de collecte pour le recyclage de tout matériel électrique et électronique. Vous pouvez demander à votre administration locale quels sont ces points de collecte. L'élimination correcte de l'appareil permet d'éviter les conséquences négatives pour l'environnement et la santé humaine.

Conformité avec la directive RoHS :

Votre appareil est conforme à la directive RoHS de l'Union européenne (2011/65/UE). Il ne comporte pas de matériaux dangereux et interdits mentionnés dans la directive.

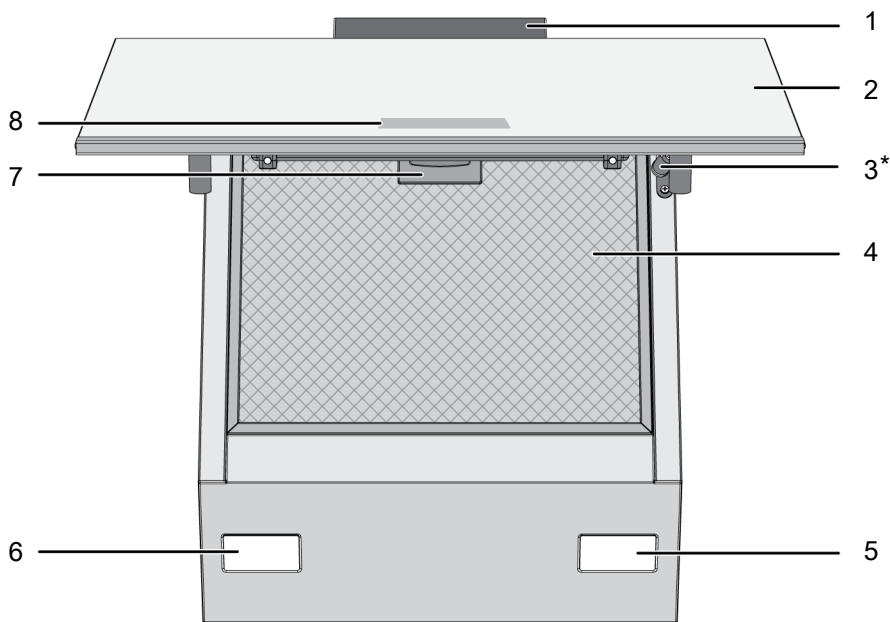
2.2 Informations sur l'emballage

Les matériaux d'emballage de cet appareil sont fabriqués à partir de matériaux recyclables, conformément à nos réglementations nationales en matière d'environnement. Ne jetez pas les déchets d'emballage avec les déchets ménagers ou autres, apportez-les aux points de collecte des matériaux d'emballage désignés par les autorités locales.

FR

3 Votre appareil

3.1 Présentation de l'appareil



1 Corps de la hotte

3 Clapet

5 Lampe

7 Verrouillage du filtre en aluminium

2 Couvercle en verre de la hotte

4 Filtre en aluminium

6 Lampe

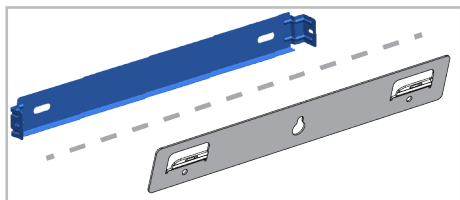
8 Panneau de commande

* En fonction du modèle. Il se peut qu'il ne soit pas disponible pour votre appareil.

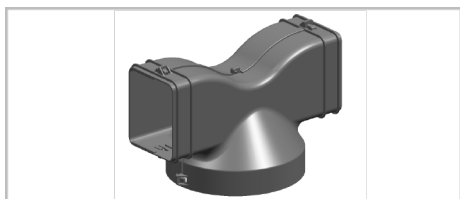
3.2 Accessoires de l'appareil

Selon le modèle de l'appareil, l'accessoire fourni varie. Tous les accessoires décrits dans le manuel d'utilisation peuvent ne pas être disponibles dans votre appareil.

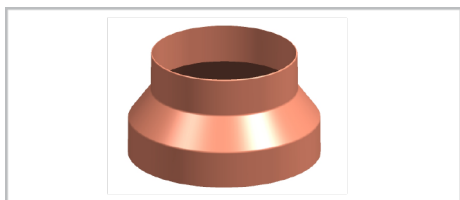
Pièce de fixation murale



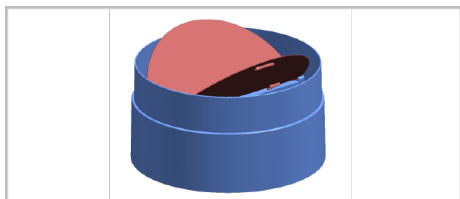
Routeur aérien



Adaptateur de raccordement au conduit de fumée



Protections pour empêcher l'inversion du flux d'air



3.3 Spécifications techniques

Dimension externe de l'appareil (hauteur/largeur/profondeur)(mm)	min. 910 - max. 1138 /595 /419
Tension/fréquence	220-240 V ~1N; 50 Hz
Consommation totale d'énergie	max. 155 W
Puissance d'aspiration	408 m3/h
Diamètre du tuyau de sortie d'air	120-150 mm

FR

Contrôle	
Modèle A	3 niveaux
Modèle B	3 niveaux + 1 booster
Modèle C	3 niveaux + 1 booster



Les spécifications techniques peuvent être modifiées sans préavis afin d'améliorer la qualité de l'appareil.



Les illustrations présentées dans ce manuel sont schématiques et peuvent ne pas correspondre exactement à votre appareil.



Les valeurs indiquées sur les étiquettes de l'appareil ou dans la documentation accompagnant l'appareil sont obtenues dans des conditions de laboratoire, en conformité avec les normes applicables. Ces valeurs peuvent varier en fonction des conditions d'utilisation et l'environnement de l'appareil.

4 Première utilisation

Avant de commencer à utiliser votre appareil, il est recommandé de suivre les étapes décrites dans les sections suivantes :

4.1 Premier nettoyage

1. Retirez tous les emballages.
2. Essuyez les surfaces du produit avec un chiffon ou une éponge humide et séchez-les avec un chiffon.

REMARQUE : Certains détergents ou agents de nettoyage peuvent endommager la surface. N'utilisez pas de détergents

abrasifs, de poudres de nettoyage, de crèmes de nettoyage ou d'objets pointus pendant le nettoyage.

REMARQUE : Lors de la première utilisation, de la fumée et des odeurs peuvent se dégager pendant plusieurs heures. C'est normal et vous avez juste besoin d'une bonne ventilation pour l'éliminer. Évitez d'inhaler directement la fumée et les odeurs qui se forment.

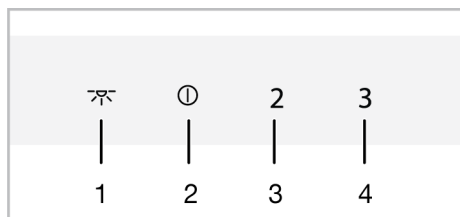
5 Utilisation de la hotte

La hotte est équipée d'un moteur à plusieurs vitesses. Pour une bonne performance, nous recommandons d'utiliser des vitesses faibles dans des conditions normales et des vitesses élevées en cas de forte odeur et de condensation de la vapeur.



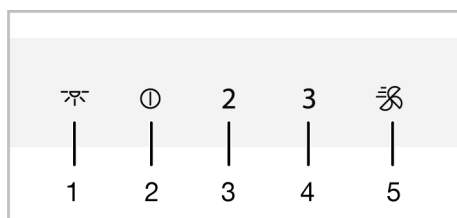
Le programme est annulé si le courant est coupé alors que des programmes de votre hotte sont actifs.

MODÈLE A



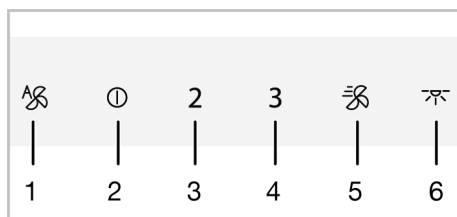
- 1 Touche de lampe
- 2 Touche marche/arrêt / Vitesse 1
- 3 Bouton de vitesse 2
- 4 Bouton de vitesse 3

MODÈLE B



- 1 Touche de lampe
- 2 Touche marche/arrêt / Vitesse 1
- 3 Bouton de vitesse 2
- 4 Bouton de vitesse 3
- 5 Clé de rappel

MODÈLE C



- 1 Touche du mode automatique
- 2 Touche marche/arrêt / Vitesse 1
- 3 Bouton de vitesse 2
- 4 Bouton de vitesse 3
- 5 Clé de rappel
- 6 Touche de lampe

Utilisation de la hotte

1. Touchez la touche de niveau de vitesse que vous avez sélectionnée pour faire fonctionner la hotte.
 - ⇒ La touche du niveau de vitesse réglé s'allume.
2. Vous pouvez toucher les autres touches de niveau de vitesse pour modifier le niveau de vitesse.



Lorsqu'il est en service, l'appareil fonctionne pendant un maximum de 6 heures si aucune touche n'est touchée.


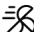
Désactivation de la hotte

1. Pour éteindre la hotte, touchez à nouveau la touche du niveau sur lequel la hotte fonctionne ou la touche ①.



Si vous touchez la touche ① avec une fonction active, à l'exception de la lampe, la fonction est annulée.

Activation du mode de ventilation intensive (Booster) (pour les modèles B et C)

1. Appuyez une fois sur la touche  pour démarrer la hotte en mode de ventilation intensive.
 - ⇒ Le mode de ventilation intensive démarre et fonctionne pendant un maximum de 10 minutes. Pendant ce temps, la touche  s'allume. Après 10 minutes, l'appareil continue à fonctionner en Vitesse 3 et la touche Vitesse 3 s'allume.



En mode ventilation intensive, lorsqu'une touche de vitesse est pressée, elle revient à ce niveau de vitesse et continue à fonctionner.

Utilisation de la lampe

1. Appuyez sur la touche pour faire fonctionner la lampe,
 - ⇒ La lampe de la hotte s'allume. (Pour les modèles B et C) Si vous touchez à nouveau la touche dans la première minute, la lampe continuera à s'allumer au niveau d'éclairage faible. Si vous la touchez à nouveau une minute après avoir allumé la lampe, elle s'éteint.



Les lampes d'éclairage fonctionnent pendant un maximum de 12 heures.

Activation de la Lampe

1. Une minute après avoir allumé la lampe de la hotte, vous pouvez l'éteindre en touchant à nouveau la touche .



(Pour les modèles B et C) Si vous touchez à nouveau la touche dans la première minute après l'allumage de la lampe, celle-ci passe au niveau d'éclairage faible.


Réglage de la couleur d'éclairage de la lampe (pour les modèles B et C)

Vous pouvez utiliser la couleur des lampes d'éclairage de votre hotte dans 3 nuances différentes.

1. Lorsque la lampe de la hotte est allumée, appuyez sur la touche pendant plus de 2 secondes.
 - ⇒ La lampe passe à l'autre couleur.
2. Si vous continuez à appuyer sur la touche , la couleur suivante apparaîtra toutes les 2 secondes. Selon la nuance de couleur souhaitée, arrêtez de toucher la touche lorsque la lampe est dans cette nuance de couleur. La nuance de couleur s'active automatiquement.





Vous ne pouvez changer la teinte de la lumière que lorsque la lampe a une forte intensité lumineuse.


 En cas de panne de courant, votre hotte se souviendra de la nuance de couleur réglée et la lampe fonctionnera dans la dernière couleur réglée.


Mode automatique (pour le modèle C)


Votre hotte mesure la température de l'air dans la cuisine et de l'air provenant de votre plaque de cuisson à l'aide d'un capteur. En mode automatique, il détermine les niveaux requis pour que la température de l'air provenant de la table de cuisson corresponde à la température de l'air dans la cuisine et fonctionne aux niveaux déterminés automatiquement.


1. Pour activer le mode automatique, touchez la touche .
 - ⇒ Le mode automatique est activé et fonctionne jusqu'à ce que la température de l'air provenant de la table de cuisson soit égale à la température ambiante. Il s'éteint automatiquement lorsque la température s'équilibre. Vous devez réactiver le mode automatique pour le remettre en marche.

 Lorsque le mode automatique est actif, le mode automatique sera annulé si vous allumez et éteignez l'appareil à n'importe quelle vitesse.

2. Pour désactiver rapidement le mode automatique, touchez une fois de plus la touche .

 Si vous ouvrez le couvercle de l'appareil lorsque le mode automatique est activé, ses performances diminueront. N'ouvrez pas le couvercle lorsque le mode automatique est actif.


 Si la différence de température ambiante se produit même lorsque la table de cuisson ne fonctionne pas alors que le mode automatique est actif, le capteur de température de l'appareil détecte la différence et l'appareil peut commencer à fonctionner à la vitesse 2 ou 3 selon la différence. Dans ce cas, le mode automatique sera désactivé lorsque la différence de température sera égalisée.

 N'utilisez pas le mode automatique lorsque votre table de cuisson ne fonctionne pas.

Mode de nettoyage de l'air (pour les modèles B et C)


Vous pouvez utiliser le mode de nettoyage de l'air pour éliminer les odeurs dans votre maison pendant une longue période à un faible niveau.


1. appuyez sur la touche Vitesse 1 et maintenez-la enfoncée pendant environ 3 secondes.
 - ⇒ Le mode de nettoyage de l'air est activé. Le voyant de la touche Vitesse 1 clignote lorsque le mode de nettoyage de l'air est actif.
2. Le mode de nettoyage de l'air fonctionnera à la vitesse 1 pendant 10 minutes en 1 heure et s'arrêtera après 50 minutes. Si vous n'éteignez pas le mode de nettoyage de l'air, il restera en fonctionnement pendant 10 minutes, puis s'arrêtera pendant 50 minutes à chaque heure pendant 24 heures.


 Lorsque le mode de nettoyage de l'air est actif, il est automatiquement annulé par la pression de n'importe quelle touche, à l'exception de la touche de la lampe. Votre hotte continue à fonctionner en fonction de la touche que vous touchez.

Avertissement de remplissage du filtre en aluminium

Le témoin de la touche Vitesse 2 clignote pendant trente secondes après chaque 100 heures de fonctionnement. Nettoyez les filtres en aluminium. Après le nettoyage, le témoin de la touche Vitesse 2 ne s'éteint pas automatiquement. L'appareil continue d'émettre ce signal d'avertissement de 30 secondes lorsqu'il s'arrête après chaque utilisation. Lorsque vous appuyez sur la touche Vitesse 2 pendant plus de 3 secondes, l'avertissement de remplissage du filtre en aluminium est réinitialisé et la lampe s'éteint.


 L'alerte n'est pas annulée si l'alimentation est coupée lorsque la hotte donne l'alerte de remplissage du filtre à aluminium. Lorsque le courant est disponible, il continue d'avertir en faisant clignoter le voyant de la touche Vitesse 2.


 Si vous mettez la hotte en marche à n'importe quelle vitesse avec l'avertissement des filtres en aluminium, cet avertissement n'apparaît pas tant que la hotte est en fonctionnement. Lorsque vous arrêtez la hotte, l'avertissement de remplissage des filtres recommence à clignoter pendant 30 secondes.


 Si vous éteignez l'avertissement sans nettoyer le filtre en aluminium, la durée de fonctionnement de 100 heures est réinitialisée et elle recommence. Au bout des 100 heures suivantes, votre hotte émet un avertissement à nouveau.

Avertissement de remplissage du filtre à charbon (pour les produits avec filtre à charbon)

Le témoin de la touche Vitesse 2 clignote pendant trente secondes après chaque 100 heures de fonctionnement. Dans ce cas, vous devez remplacer votre filtre à charbon. Consultez un service agréé à ce sujet. Après le remplacement, le témoin de la touche de vitesse 2 ne s'éteint pas automatiquement. L'appareil continue d'émettre ce signal d'avertissement de 30 secondes lorsqu'il s'arrête après chaque utilisation. Lorsque vous appuyez sur la touche Vitesse 2 pendant plus de 3 secondes, l'avertissement de remplissage du filtre à charbon est réinitialisé et la lampe s'éteint.

 L'avertissement n'est pas annulé si l'alimentation est coupée lorsque la hotte donne l'avertissement de remplissage du filtre à charbon. Lorsque le courant est disponible, il continue d'avertir en faisant clignoter le voyant de la touche Vitesse 2.

 Si vous faites fonctionner votre hotte à n'importe quel niveau de vitesse avec l'avertissement de remplissage du filtre à charbon, l'avertissement n'apparaîtra pas tant que la hotte fonctionnera. Lorsque vous arrêtez la hotte, l'avertissement de remplissage des filtres recommence à clignoter pendant 30 secondes.

 Si vous éteignez l'avertissement sans remplacer le filtre à charbon, la durée de fonctionnement de 100 heures est réinitialisée et elle recommence. Au terme des 100 heures suivantes, l'avertissement est à nouveau émis.

6 Entretien et nettoyage

6.1 Consignes de nettoyage générales

Avertissements généraux

- Attendez que l'appareil refroidisse avant de le nettoyer. Les surfaces chaudes peuvent causer des brûlures !
- N'appliquez pas les détergents directement sur les surfaces chaudes. Ils peuvent provoquer des taches permanentes.
- L'appareil doit être soigneusement nettoyé et séché après chaque utilisation. Ainsi, les résidus alimentaires sont faciles à nettoyer et ces résidus ne brûlent pas lorsque l'appareil est réutilisé ultérieurement. Ainsi, la durée de vie de l'appareil est prolongée et les problèmes fréquemment rencontrés sont réduits.
- N'utilisez pas de produits de nettoyage à vapeur pour le nettoyage.
- Certains détergents ou agents de nettoyage endommagent la surface. Les produits de nettoyage inadaptés sont : l'eau de Javel, les produits de nettoyage contenant de l'ammoniac, de l'acide ou du chlorure, les produits de nettoyage à vapeur, les détartrants, les détachants et les anti-rouilles, les produits de nettoyage abrasifs (crèmes nettoyantes, poudre à récurer, crème à récurer, épurateur abrasif et grattant, fil de fer, éponges, torchons de nettoyage contenant de la saleté et des résidus de détergent).
- Aucun produit de nettoyage spécial n'est nécessaire lors du nettoyage effectué après chaque utilisation. Nettoyez l'appareil à l'aide d'un détergent pour lave-vaisselle, d'eau chaude et d'un chiffon doux ou d'une éponge, puis séchez-le avec un chiffon sec. Nettoyez l'appareil à l'aide d'un détergent à vaisselle, d'eau chaude et d'un chiffon doux ou d'une éponge et séchez-le à l'aide d'un chiffon sec.
- Assurez-vous d'essuyer complètement tout le liquide restant après le nettoyage et nettoyez immédiatement toute éclaboussure d'aliments pendant la cuisson.

- Ne lavez aucun composant de votre appareil au lave-vaisselle, sauf indication contraire dans le manuel d'utilisation.

Inox - surfaces inoxydables

- N'utilisez pas d'agents de nettoyage contenant de l'acide ou du chlore pour nettoyer les surfaces et les poignées en acier inoxydable ou en inox.
- La surface en acier inoxydable ou en inox peut changer de couleur avec le temps. C'est normal. Après chaque opération, nettoyez avec un détergent adapté à la surface en acier inoxydable ou en inox.
- Nettoyez à l'aide d'un chiffon doux savonneux et d'un détergent liquide (non abrasif) adapté à la surface en inox, en prenant soin d'essuyer dans un sens.
- Élimine immédiatement et sans attendre les taches de calcaire, d'huile, d'amidon, de lait et de protéines sur les surfaces en verre et en inox. À la longue, les taches peuvent causer la rouille.
- Les nettoyants pulvérisés/appliqués sur la surface doivent être nettoyés immédiatement. Les nettoyants abrasifs qui restent sur la surface la font blanchir.

Surfaces en verre

- Lorsque vous nettoyez des surfaces en verre, n'utilisez pas de grattoirs métalliques durs ni de produits de nettoyage abrasifs. Ils peuvent endommager la surface en verre.
- Nettoyez l'appareil à l'aide d'un détergent à vaisselle, d'eau chaude et d'un chiffon en microfibres spécifique pour les surfaces en verre et séchez-le à l'aide d'un chiffon sec en microfibres.
- Si des résidus de détergent restent après le nettoyage, nettoyez-les avec de l'eau froide et séchez à l'aide d'un chiffon en microfibres sec et propre. Les résidus de détergent peuvent endommager la surface du verre la prochaine fois.

- Les résidus séchés sur la surface du verre ne doivent en aucun cas être nettoyés avec des couteaux dentelés, du fil laine métallique ou des outils de grattage similaires.
- Vous pouvez éliminer les taches de calcium (taches jaunes) sur la surface du verre à l'aide d'un agent de détartrage disponible sur le marché, tel que le vinaigre ou le jus de citron.
- Si la surface est très sale, appliquez le produit de nettoyage sur la tache à l'aide d'une éponge et patientez longtemps qu'il agisse correctement. Nettoyez ensuite la surface en verre à l'aide d'un chiffon humide.
- Les décolorations et les taches sur la surface en verre sont normales et ne présentent pas de défauts.

Pièces en plastique et surfaces peintes

- Nettoyez les pièces en plastiques et les surfaces peintes à l'aide d'un détergent à vaisselle, d'eau chaude et d'un chiffon doux ou d'une éponge et séchez-les à l'aide d'un chiffon sec.
- N'utilisez pas de grattoirs métalliques durs ni de produits de nettoyage abrasifs. Ils peuvent endommager les surfaces.
- Assurez-vous que les joints des composants de l'appareil ne sont pas laissés humides et avec du détergent. Autrement, ces joints risquent de se corroder

6.2 Nettoyage du panneau de commande

- Lors du nettoyage des panneaux et du bouton de commande, essuyez le panneau et les boutons à l'aide d'un chiffon doux humide et séchez-les à l'aide d'un chiffon sec. Ne retirez pas les boutons et les joints en dessous pour nettoyer le panneau. Le panneau de commande et les boutons peuvent être endommagés.
- Lors du nettoyage des panneaux en inox et du bouton de commande, n'utilisez pas d'agents de nettoyage pour inox autour du bouton. Les indicateurs situés autour du bouton peuvent être effacés.

- Nettoyez les panneaux de commande tactiles à l'aide d'un chiffon doux humide et séchez-les à l'aide d'un chiffon sec. Si votre produit est doté d'une fonction de verrouillage des touches, réglez le verrouillage des touches avant de procéder au nettoyage du panneau de commande. Dans le cas contraire, une détection incorrecte peut se produire sur les touches.

6.3 Filtre en aluminium

Ce filtre capte les particules d'huile présentes dans l'air. **Il est recommandé de nettoyer le filtre une fois par mois dans des conditions normales d'utilisation.**

Pour y parvenir :

1. Retirez les filtres en aluminium.
2. Lavez les filtres dans l'eau avec un détergent liquide et réinstallez-les après séchage.

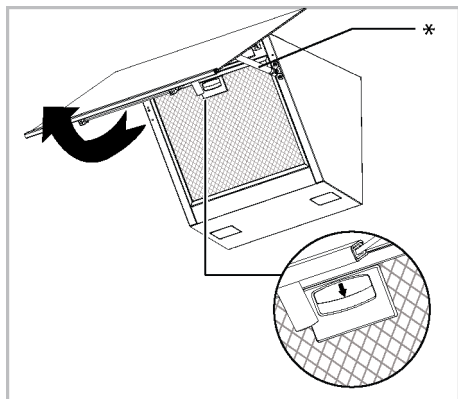
Les filtres en aluminium peuvent changer de couleur au cours du lavage ; ceci est normal et ne nécessite pas de remplacer vos filtres.



Vous pouvez également laver le filtre en aluminium dans le lave-vaisselle. (max. 70 °C)

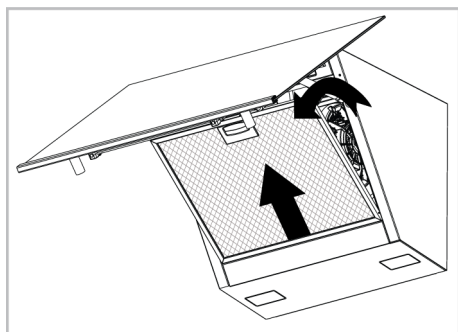
Retrait des filtres en aluminium

1. Ouvrez le couvercle de la hotte vers le haut et tirez le verrou du filtre en aluminium vers le bas comme indiqué sur le schéma.



* L'amortisseur est facultatif. Il se peut qu'il ne soit pas disponible dans votre produit.

2. En premier, tirez doucement le filtre vers vous puis vers le haut pour le retirer de son emplacement.



3. Réinstallez le filtre en aluminium dans son emplacement après le rinçage en suivant les étapes ci-dessus en sens inverse.

6.4 Filtre à charbon (utilisation sans conduit de fumée)

Avertissements généraux

- Si vous avez installé votre appareil sans conduit de fumée, vous devez remplacer vos filtres à charbon tous les 4 mois en utilisation normale. Vous pouvez vous procurer le filtre à charbon auprès des services agréés.
- Le filtre à charbon ne doit jamais être lavé.

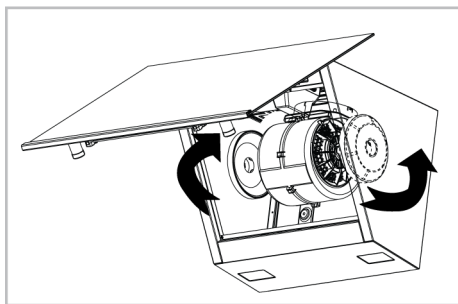
- Si vous ne respectez pas les règles de nettoyage et de remplacement des filtres de votre hotte, vous risquez de provoquer un incendie.



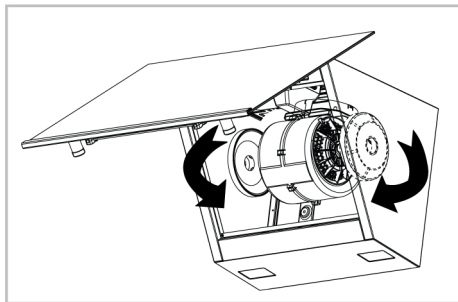
Lorsque vous l'utilisez avec des filtres à charbon, le niveau du bruit augmente et le débit diminue.

Démontage des filtres à charbon

1. Ouvrez le couvercle en verre de la hotte et retirez le filtre en aluminium.
2. Dévissez les filtres à charbon situés à droite et à gauche du support du moteur.



3. Placez les encoches de vos nouveaux filtres à charbon dans les encoches du support du moteur et tournez-les dans le sens des aiguilles d'une montre pour les mettre en place.



4. Fermez le couvercle de la vitre de la hotte après avoir installé le filtre en aluminium.

6.5 Lampe de la hotte

En cas de dysfonctionnement de la lampe dans la hotte, contactez votre revendeur local ou le service clientèle, et veillez à ce que la lampe soit remplacée.

FR

7 Dépannage

Si le problème persiste même après observation des instructions contenues dans cette partie, contactez votre fournisseur ou un service de maintenance agréé. N'essayez jamais de réparer votre appareil par vous-même.

L'appareil ne fonctionne pas.

- Le fusible peut être défilant ou grillé.
>>> Vérifiez les fusibles dans la boîte à fusibles. Remplacez-les si nécessaire ou remettez-les en marche.
- Le produit n'est peut-être pas branché.
>>> Vérifiez si le produit est branché à la prise ou non.
- Le bouton de vitesse peut ne pas être réglé. >>> Appuyez/touchez le bouton de vitesse souhaité.
- Il se peut qu'il n'y ait pas d'électricité.
>>> Vérifiez que le réseau électrique est opérationnel et vérifiez les fusibles dans la boîte à fusibles. Changez les fusibles si nécessaire ou réactivez-les.

Le voyant de la hotte n'est pas allumé.

- La lampe de la hotte est peut-être défectueuse. >>> Contactez le revendeur local où vous avez acheté votre appareil ou le service clientèle, et veillez à ce que la lampe soit remplacée.
- Il se peut qu'il n'y ait pas d'électricité.
>>> Vérifiez que le réseau électrique est opérationnel et vérifiez les fusibles dans la boîte à fusibles. Changez les fusibles si nécessaire ou réactivez-les.



Points de collecte sur www.quefairedemesdechets.fr
Privilégiez la réparation ou le don de votre appareil !

