

EN

DE

FR

ES

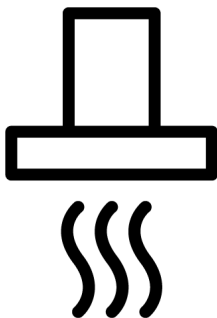
# beko

**Hood** / User Manual

**Dunstabzugshaube** / Bedienungsanleitung

**Hotte murale** / Manuel d'utilisation

**Campana extractora** / Manual del usuario



BHCA62422BBH

185732395\_1/ EN/ DE/ FR/ ES/ R.AB/ 02/01/24 13:11  
7704331232



PAPEL RECICLADO Y  
RECICLABLE



PAPIER ENTièrement  
RECYCLÉ ET RECYCLABLE



RECYCLES UND  
RECYCLBARES PAPIER



RECYCLED &  
RECYCLABLE PAPER

## Welcome!

---

Dear Customer,

Thank you for choosing the Beko product. We want your product, manufactured with high quality and technology, to offer you the best efficiency. Therefore, carefully read this manual and any other documentation provided before using the product.

Keep in mind all the information and warnings stated in the user's manual. This way, you will protect yourself and your product against the dangers that may occur.

Keep the user's manual. If you give the product to someone else, give the manual with it. The warranty conditions, usage and troubleshooting methods for your product are provided in this manual.

### The symbols and their descriptions in the user's manual:



Hazard that may result in death or injury.



Important information or useful usage tips.



Read the user's manual.



Hot surface warning.

**NOTICE** Hazard that may result in material damage to the product or its environment.

**Arçelik A.Ş.**

Karaağaç caddesi No:2-6  
34445 Sütlüce/İstanbul/TURKEY

Made in TURKEY

## Table of Contents

<b>1</b>	<b>Safety Instructions.....</b>	<b>4</b>
1.1	Intended Use.....	4
1.2	Child, Vulnerable Person and Pet Safety .....	4
1.3	Electrical Safety.....	5
1.4	Transportation Safety .....	6
1.5	Installation Safety.....	7
1.6	Safety of Use .....	8
1.7	Maintenance and Cleaning Safety	9
<b>2</b>	<b>Environmental Instructions.....</b>	<b>9</b>
2.1	Waste Directive.....	9
2.1.1	Compliance with the WEEE Directive and Disposing of the Waste Product .....	9
2.2	Package Information.....	10
<b>3</b>	<b>Your product .....</b>	<b>10</b>
3.1	Product Introduction .....	10
3.2	Product Accessories .....	10
3.3	Technical Specifications.....	12
<b>4</b>	<b>First Use.....</b>	<b>13</b>
4.1	Initial Cleaning .....	13
<b>5</b>	<b>Using the Hood .....</b>	<b>13</b>
<b>6</b>	<b>Maintenance and Cleaning .....</b>	<b>13</b>
6.1	General Cleaning Information.....	13
6.2	Cleaning the Control Panel .....	14
6.3	Aluminium Filter .....	15
6.4	Carbon Filter (Usage without a flue) .....	15
6.5	Hood Lamp .....	16
<b>7</b>	<b>Troubleshooting.....</b>	<b>16</b>

## 1 Safety Instructions

- This section includes the safety instructions necessary to prevent the risk of personal injury or material damage.
- If the product is handed over to someone else for personal use or second-hand use purposes, the user's manual, product labels and other relevant documents and parts should also be given.
- Our company shall not be held responsible for damages that may occur if these instructions are not observed.
- Failure to follow these instructions shall void any warranty.
- Always have the installation and repair works made by the manufacturer, the authorised service or a person that the importer company shall designate.
- Use original spare parts and accessories only.
- Do not repair or replace any component of the product unless it is clearly specified in the user's manual.
- Do not make technical modifications on the product.

### 1.1 Intended Use

- This product is designed to be used at home. It is not suitable for commercial use.
- Do not use the product in gardens, balconies or other outdoors. This product is intended to be used in households and in the staff kitchens of shops, offices and other working environments.

### 1.2 Child, Vulnerable Person and Pet Safety

- This product can be used by children 8 years of age and older, and people who are underdeveloped in physical, sensory or mental skills, or who have lack of experience and knowledge, as long as they are supervised or trained about the safe use and hazards of the product.
- Children should not play with the product. Cleaning and user maintenance should not be performed by children unless there is someone overseeing them.
- This product should not be used by people with limited physical, sensory or mental capacity (including children), un-

less they are kept under supervision or receive the necessary instructions.

- Children should be supervised to ensure that they do not play with the product.
- Electrical products are dangerous for children and pets. Children and pets should not play with the product.
- Keep the packaging materials out of the reach of children. There is a hazard of injury and suffocation.
- Before discarding worn out and useless products:
  1. Unplug and disconnect the power plug (if the product is plugged in).
  2. Cut off the power cable and disconnect it with the plug from the product.
  3. Do not allow children to play with product when it is in idle mode.

### **1.3 Electrical Safety**

- Plug the product into a grounded outlet protected by a fuse that matches the current ratings indicated on the type label. Have the grounding installation made by a qualified electrician. Do not use the product without grounding in accordance with local / national regulations.

- The plug or the electrical connection of the appliance shall be in an easily accessible place. If this is not possible, there should be a mechanism (fuse, switch, key switch, etc.) on the electrical installation to which the product is connected, in compliance with the electrical regulations and separating all poles from the network.
- Unplug the product or switch off the fuse before repair, maintenance and cleaning.
- Plug the product into an outlet that meets the voltage and frequency values specified on the type label.
- (If your product does not have a mains cable) only use the connecting cable described in the "Technical specifications" section.
- Do not plug your hood in until it is mounted.
- Do not jam the power cable under and behind the product. Do not put a heavy object on the power cable. The power cable should not be bent, crushed, and come into contact with any heat source.
- Do not install the electricity cord near the heaters. The cable might melt, causing a fire.

- Make sure that the power cable is not jammed while putting the product to its place after assembly or cleaning.
  - Do not plug your hood in until it is mounted.
  - Use original cable only. Do not use cut or damaged cables.
  - Do not use an extension cord or multi-plug to operate your product.
  - Contact the authorized service centre or importer to use the approved adapter in cases where the use of a converter adapter (for plug type) is necessary.
  - Contact the importer or the authorized service centre if the length of the power line is inadequate.
  - Portable power sources or multiple plugs may overheat and catch fire. Keep multiple plugs and portable power sources away from the product.
  - If the power cable is damaged, it must be replaced by the manufacturer, an authorized service or a person to be specified by the importer company in order to prevent possible dangers.
  - If your product has plug, do not make electrical connections by disconnecting the plug during installation. Connections made by cutting off render the product warranty void and pose a danger to user safety.
- If your product has a power cable and plug:
- Never put the product plug into a broken, loose, or out-of-socket plug. Make sure the plug is fully inserted into the socket. Otherwise the connections may overheat and cause a fire.
  - Avoid inserting the device into plugs that are greasy, unclean, or potentially exposed to water (such as those near a worktop where water may escape). Otherwise there is a risk of short circuit and electrocution.
  - Never touch the plug with wet hands!
  - Pull the plug out of the socket using the plug's body rather than the cord itself.



#### **1.4 Transportation Safety**

- Disconnect the product from the mains before transporting the product.
- The product is heavy, carry the product with at least two people.
- Do not place items on the appliance. Carry the appliance vertically.

- When you need to transport the product, wrap it with bubble wrap packaging material or thick cardboard and tape it tightly. Secure the moving parts of the product firmly to prevent damage.
- Before the product is installed, check the product for any damage after transport. Contact the importer or the authorized service centre if damaged.
- Always wear protective gloves during transport and installation. Otherwise there is a risk of injury from sharp edges!
- Before the product is installed, check the product for any damage. Do not have it installed if the product is damaged.
- Avoid using any heat-insulating materials to cover the interior of the furniture that will be installed.

### **1.5 Installation Safety**

- To have your product ready for use, first provide the place of installation and have the electrical installation made. Always have the installation made by the manufacturer, the authorised service or a person that the importer company shall designate.
- To have your product ready for use, first provide the place of installation and have the electrical installation made. Then, call the Authorised Service to have the installation performed. After installation by the authorized service, the warranty period begins.
- Before beginning the installation, de-energize the power line to which the product will be connected by turning off the fuse.
- Direct sunlight and heat sources, such as electric or gas heaters, must not be present in the area where the product is installed.
- If there is a socket behind the place where the product will be installed, it must be ensured that the product does not come into contact with the socket nor with the plug plugged into the socket.
- For usage with chimney connections, have qualified individuals assess the suitability of the chimney to which the product will be connected.
- Height between the bottom surface of your hood and the top surface of the oven should be no less than 650 mm for gas ovens and 500 mm for electrical ovens. Otherwise,

your product will be affected by the heat or flame of the hob and pose a safety hazard.

- Never attach the hood to flues used as a flame heater or flame-emitting heaters. Comply with local regulations on purging the outflow.
- Use pipes with a diameter of 120 mm when connecting a flue to your product. The pipe connection should be as short as possible and with few bends.

## 1.6 Safety of Use

- **Poisoning Danger!** While the appliance is operating, air is drawn from the whole house. If adequate ventilation is not provided, air flow occurs and the waste and toxic gases released as a result of combustion in the house are reabsorbed. Do not operate the product together with products that provide air circulation and may emit toxic gas (wood, gas, oil and coal stoves, boilers, water heaters, etc.).
- Ensure that the appliance is switched off after every use.
- Don't use the product if it breaks down or gets damaged while being used. Disconnect the product from the electricity. Contact the importer or the authorized service centre.
- Do not touch the lamps of your hood after operating the hood for a long time. Hot lamps may burn your hand.
- Do not operate the appliance without an oil filter. Do not remove the filters while the appliance is operating. Otherwise the product and electrical connections may be adversely affected by the oil.
- Do not create a high flame under the product. Otherwise, the oil in the oil filter may ignite, causing a fire.
- Turn off the oven before taking the cooking pots, pans, etc. from the ovens. Otherwise, your product could be harmed by flame and growing heat.
- Never set anything combustible or items prone to falling on your hood. Otherwise, it could fall on the hop and risk burning them or fall into the food and hurt the user,
- Do not keep easily flammable materials under your hood.
- (Except for goods that return exhaust air to the room) The room needs to be well ventilated if the hood is utilized in the same area as gas or liquid fuel burning equipment.



- The chimney of appliances like room heaters that run on gas or liquid fuel must be entirely insulated in the environment where the hood is utilized, or the appliance must be hermetic.
- If there is another appliance operating with energy other than electrical energy in the same environment with the hood, the negative pressure in the room should be at most 0.04 mbar so that the exhaust of the other appliance is not drawn back into the room by the hood.
- Easily flammable and combustible materials should not be hung on the hood handles (if any).
- There should not be open fire under the hood. (for example: flambe)
- **Caution:** Accessible parts can heat up when used with a cooker.



## 1.7 Maintenance and Cleaning Safety

- The grease accumulated on the hood and grease filter must be cleaned at the specified intervals. Otherwise, there is a risk of fire!
- It is recommended to clean the filter once a month under normal usage. If not, the build-up of oil in the filter could catch fire and pose a hazard.
- Never wash the product by spraying or pouring water on it! There is the risk of electric shock!
- Do not use steam cleaners to clean the product as this may cause an electric shock.

## 2 Environmental Instructions

### 2.1 Waste Directive

#### 2.1.1 Compliance with the WEEE Directive and Disposing of the Waste Product

This product complies with EU WEEE Directive (2012/19/EU). This product bears a classification symbol for waste electrical and electronic equipment (WEEE).



This product has been manufactured with high quality parts and materials which can be reused and are suitable for recycling. Therefore, do not dispose of the waste product with normal domestic and other wastes at the end of its service life. Take it to a collection point for the recycling of electrical and electronic equipment. You can ask your local administration about these collection points. Disposing of the appliance properly helps prevent negative consequences for the environment and human health.

### Compliance with RoHS Directive:

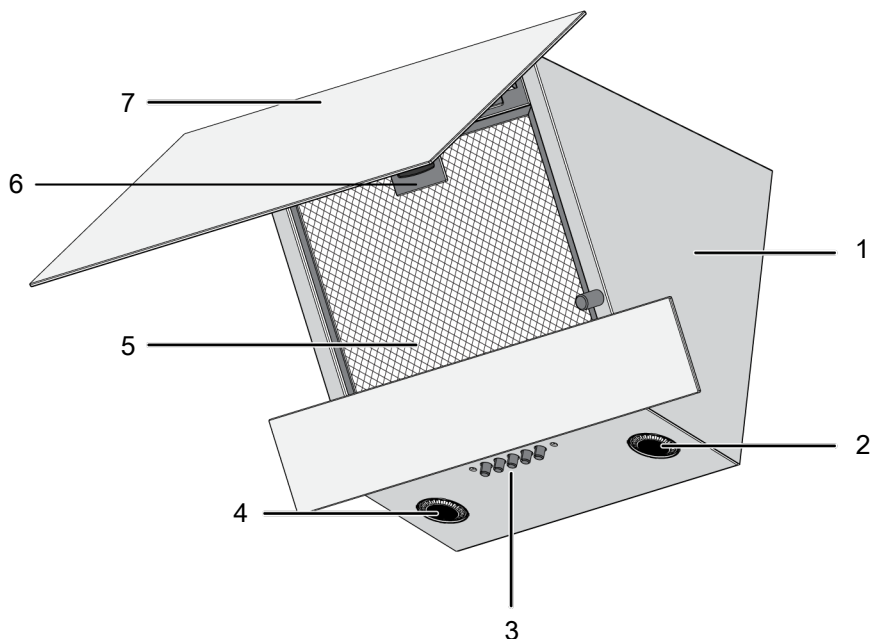
The product you have purchased complies with EU RoHS Directive (2011/65/EU). It does not contain harmful and prohibited materials specified in the Directive.

## 2.2 Package Information

Packaging materials of the product are manufactured from recyclable materials in accordance with our National Environment Regulations. Do not dispose of the packaging waste with the household or other wastes, take it to the packaging material collection points designated by the local authorities.

## 3 Your product

### 3.1 Product Introduction



1 Hood body

3 Control panel

5 Aluminium filter

7 Hood glass lid

2 Lamp

4 Lamp

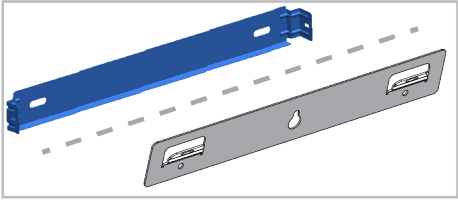
6 Aluminium filter lock

\* Dependent on the model. It may not be available on your product.

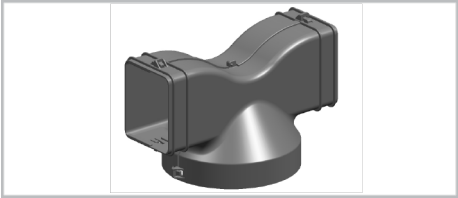
### 3.2 Product Accessories

Depending on the product model, the supplied accessory varies. All accessories described in the user's manual may not be available in your product.

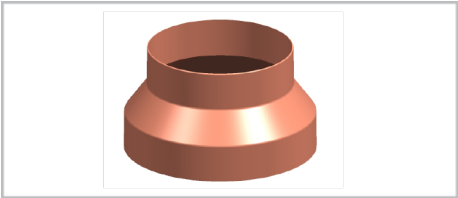
**Wall mounting part**



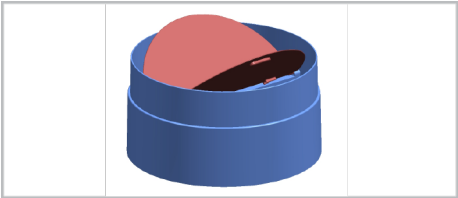
**Air router**



**Flue connection adapter**



**Covers to prevent reverse airflow**



### 3.3 Technical Specifications

Product external dimensions (height/width/depth) (mm)	min. 910 - max. 1138 /595 /396
Voltage/Frequency	220-240 V ~1N; 50 Hz
Total power consumption	max. 155 W
Suction power	400 m <sup>3</sup> /h
Diameter of air outlet pipe	120-150 mm



Technical specifications may be changed without prior notice to improve the quality of the product.



Figures in this manual are schematic and may not exactly match your product.



Values stated on the product labels or in the documentation accompanying it are obtained in laboratory conditions in accordance with relevant standards. Depending on operational and environmental conditions of the product, these values may vary.

## 4 First Use

Before you start using your product, it is recommended to do the following stated in the following sections respectively.

### 4.1 Initial Cleaning

1. Remove all packaging materials.

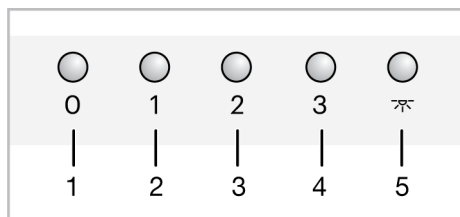
2. Wipe the surfaces of the product with a wet cloth or sponge and dry with a cloth.

**NOTICE:** Some detergents or cleaning agents may cause damage to the surface. Do not use abrasive detergents, cleaning powders, cleaning creams or sharp objects during cleaning.

## 5 Using the Hood

The hood has an engine with various speeds. For a good performance, we recommend using low speeds under normal conditions and high speeds in case of strong odour and vapour condensation.

### MODEL A



- |   |                |
|---|----------------|
| 1 | Off button     |
| 2 | Speed 1 button |
| 3 | Speed 2 button |
| 4 | Speed 3 button |
| 5 | Lamp button    |

### Operating the hood

1. Press the speed level button you have selected to operate the hood.
  - ⇒ The hood starts to operate in the adjusted speed level.
2. You can press the other speed level buttons to change the speed level.

### Turning off the hood

1. When your hood is operated at any level, press the off button.

### Operating the lamp

1. Press the button to operate the lamp.
  - ⇒ Hood lamp lights.

### Turning off the lamp

1. You can turn off the hood lamp by pressing the button again.

## 6 Maintenance and Cleaning

### 6.1 General Cleaning Information

#### General warnings

- Wait for the product to cool before cleaning the product. Hot surfaces may cause burns!
- Do not apply the detergents directly on the hot surfaces. This may cause permanent stains.
- The product should be thoroughly cleaned and dried after each operation. Thus, food residues shall be easily cleaned and these residues shall be prevented from burning when the product is used again later. Thus, the service life of the appliance extends and frequently faced problems are decreased.
- Do not use steam cleaning products for cleaning.
- Some detergents or cleaning agents cause damage to the surface. Unsuitable cleaning agents are: bleach, cleaning products containing ammonia, acid or chloride, steam cleaning products, descaling agents, stain and rust removers, abrasive cleaning products (cream cleaners, scouring powder, scouring cream, abrasive and scratching scrubber, wire, sponges, cleaning cloths containing dirt and detergent residues).

- No special cleaning material is needed in the cleaning made after each use. Clean the appliance using dishwashing detergent, warm water and a soft cloth or sponge and dry it with a dry cloth.
- Be sure to completely wipe off any remaining liquid after cleaning and immediately clean any food splashing around during cooking.
- Do not wash any component of your appliance in a dishwasher unless otherwise stated in the user's manual.
- Under no circumstances should the dried-up residue on the glass surface be cleaned off with serrated knives, wire wool or similar scratching tools.
- You can remove the calcium stains (yellow stains) on the glass surface with the commercially available descaling agent, with a descaling agent such as vinegar or lemon juice.
- If the surface is heavily soiled, apply the cleaning agent on the stain with a sponge and wait a long time for it to work properly. Then clean the glass surface with a wet cloth.
- Discolorations and stains on the glass surface are normal and not defects.

### **Inox - stainless surfaces**

- Do not use acid or chlorine-containing cleaning agents to clean stainless-inox surfaces and handles.
- Stainless-inox surface may change colour in time. This is normal. After each operation, clean with a detergent suitable for the stainless or inox surface.
- Clean with a soft soapy cloth and liquid (non-scratching) detergent suitable for inox surfaces, taking care to wipe in one direction.
- Remove lime, oil, starch, milk and protein stains on the glass and inox surfaces immediately without waiting. Stains may rust under long periods of time.
- Cleaners sprayed/applied to the surface should be cleaned immediately. Abrasive cleaners left on the surface cause the surface to turn white.

### **Glass surfaces**

- When cleaning glass surfaces, do not use hard metal scrapers and abrasive cleaning materials. They can damage the glass surface.
- Clean the appliance using dishwashing detergent, warm water and a microfiber cloth specific for glass surfaces and dry it with a dry microfiber cloth.
- If there is residual detergent after cleaning, wipe it with cold water and dry with a clean and dry microfiber cloth. Residual detergent may damage the glass surface next time.

### **Plastic parts and painted surfaces**

- Clean plastic parts and painted surfaces using dishwashing detergent, warm water and a soft cloth or sponge and dry them with a dry cloth.
- Do not use hard metal scrapers and abrasive cleaners. They may damage the surfaces.
- Ensure that the joints of the components of the product are not left damp and with detergent. Otherwise, corrosion may occur on these joints.

## **6.2 Cleaning the Control Panel**

- When cleaning the panels with knob-control, wipe the panel and knobs with a damp soft cloth and dry with a dry cloth. Do not remove the knobs and gaskets underneath to clean the panel. The control panel and knobs may be damaged.
- While cleaning the inox panels with knob control, do not use inox cleaning agents around the knob. The indicators around the knob can be erased.
- Clean the touch control panels with a damp soft cloth and dry with a dry cloth. If your product has a key lock feature, set the key lock before performing control panel cleaning. Otherwise, incorrect detection may occur on the keys.

### 6.3 Aluminium Filter

This filter serves to retain oil particles in the air. **It is recommended to clean the filter once a month under normal usage.** To achieve this:

1. Remove the aluminium filters.
2. Wash the filters in water using liquid detergent and reinstall after drying.

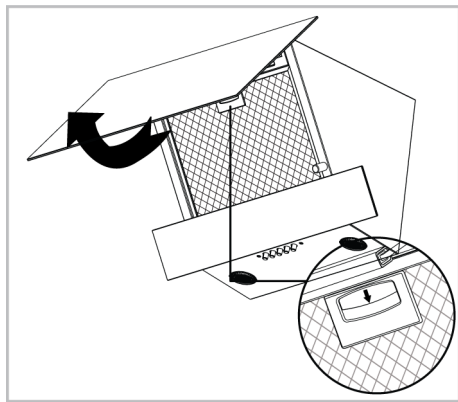
Aluminium filters may change colour as they are washed; this is normal and does not require replacing your filters.



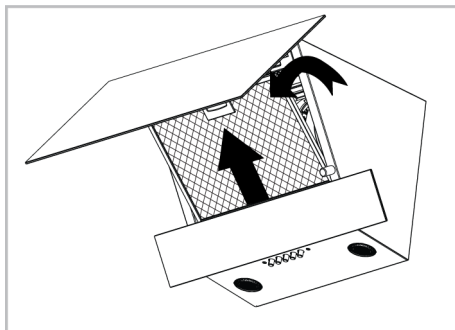
You can also wash the aluminium filter in the dishwasher. (max. 70 °C)

#### Removing aluminium filters

1. Open hood cover upwards and pull aluminium filter lock downwards as shown in the figure.



2. Gently pull the filter towards you first and pull it upwards to remove it from its slot.



3. Reinstall the aluminium filter in its slot after flushing by following the above steps in reverse.

### 6.4 Carbon Filter (Usage without a flue)

#### General warnings

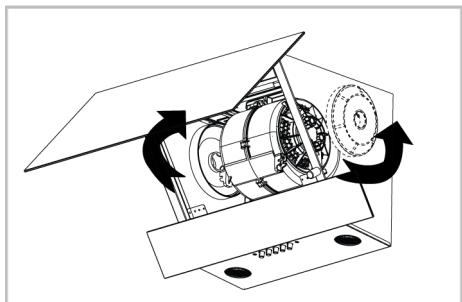
- If you have installed your product without a flue, you should replace your carbon filters every 4 months in normal use. You can obtain the carbon filter from Authorized Services.
- The carbon filter should never be washed.
- If you do not follow the rules for cleaning and replacing the filters of your hood, you may cause a fire.



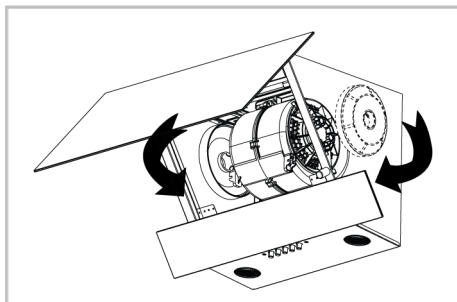
In carbon-filtered usage, the sound level increases and the flow rate performance decreases.

#### Removing carbon filters

1. Open the glass cover of the hood and remove the aluminium filter.
2. Unscrew the carbon filters on the right and left of the motor holder.



3. Place the lug slots of your new carbon filters into the lugs on the motor holder and turn them clockwise to snap them into place.



4. Close the hood glass cover after installing the aluminium filter.

## 6.5 Hood Lamp

In the event of a lamp malfunction in the hood, contact your local dealer or the Customer Service, and ensure that the lamp is replaced.

## 7 Troubleshooting

If the problem persists after following the instructions in this section, contact your vendor or an Authorized Service. Never try to repair your product yourself.

### Product is not working.

- Fuse may be faulty or blown. >>> Check the fuses in the fuse box. Change them if necessary or reactivate them.
- The product may not be plugged in. >>> Check if the product is plugged in to the outlet or not.
- The speed button may not be set. >>> Press/touch the desired speed button.
- There may be no electricity. >>> Ensure the mains is operational and check the fuses in the fuse box. Change the fuses if necessary or reactivate them.

### Hood light is not on.

- Hood lamp may be faulty. >>> Contact your local dealer where you purchased your product or the Customer Service, and ensure that the lamp is replaced.
- There may be no electricity. >>> Ensure the mains is operational and check the fuses in the fuse box. Change the fuses if necessary or reactivate them.





## Willkommen!

---

Sehr geehrter Kunde, sehr geehrte Kundin,

Vielen Dank, dass Sie sich für das Beko Produkt entschieden haben. Wir stellen Ihnen dieses Produkt vor, das mit hoher Qualität und Technologie hergestellt wurde, um Ihnen die beste Effizienz zu bieten. Lesen Sie dieses Handbuch und alle anderen mitgelieferten Dokumentationen sorgfältig durch, bevor Sie das Produkt verwenden.

Beachten Sie alle Informationen und Warnungen im Benutzerhandbuch. Auf diese Weise schützen Sie sich und Ihr Produkt vor den Gefahren, die auftreten können.

Bewahren Sie das Benutzerhandbuch auf. Wenn Sie das Produkt an eine andere Person weitergeben, geben Sie das Handbuch mit. Die Garantiebedingungen, Verwendungs- und Fehlerbehebungsmethoden für Ihr Produkt sind in der Bedienungsanleitung enthalten.

### Die Symbole und ihre Beschreibungen in der Bedienungsanleitung:



Gefahr, die zum Tod oder zu Verletzungen führen kann.



Wichtige Informationen oder nützliche Anwendungstipps.



Bitte lesen Sie das Benutzerhandbuch.



Warnung vor heißer Oberfläche.

**HINWEIS** Gefahr, die zu materiellen Schäden am Produkt oder seiner Umgebung führen kann.

**Arçelik A.Ş.**

Karaağaç caddesi No:2-6  
34445 Sütlüce/Istanbul/TURKEY

Made in TURKEY

# Inhaltsverzeichnis

<b>1</b>	<b>Sicherheitshinweise .....</b>	<b>20</b>
1.1	Verwendungszweck .....	20
1.2	Besondere Sicherheitshinweise rund um Kinder, schutzbedürftige Menschen und Haustiere .....	20
1.3	Sicherheitshinweise zu Elektroge- räten .....	21
1.4	Sicherheit beim Transport .....	23
1.5	Sicherheitshinweise zur Installati- on .....	24
1.6	Sicher bedienen .....	25
1.7	Sicherheitshinweise zum Reini- gen und Pflegen .....	26
<b>2</b>	<b>Hinweise zum Umweltschutz .....</b>	<b>27</b>
2.1	Abfallrichtlinie .....	27
2.1.1	Informationen zur Entsorgung ..	27
2.2	Paketinformationen .....	28
<b>3</b>	<b>Ihr neues Gerät .....</b>	<b>29</b>
3.1	Produktübersicht .....	29
3.2	Produktzubehör .....	29
3.3	Technische Spezifikationen .....	31
<b>4</b>	<b>Erste Verwendung .....</b>	<b>32</b>
4.1	Erstreinigung .....	32
<b>5</b>	<b>Nutzung der Dunstabzugshaube. ....</b>	<b>32</b>
<b>6</b>	<b>Wartung und Reinigung .....</b>	<b>32</b>
6.1	Allgemeine Reinigungshinweise ...	32
6.2	Bedienfeld reinigen .....	34
6.3	Metallfettfilter .....	34
6.4	Aktivkohlefilter (Verwendung oh- ne Abluft) .....	35
6.5	Haubenlampe .....	35
<b>7</b>	<b>Fehlerbehebung .....</b>	<b>35</b>



## 1 Sicherheitshinweise

- Dieser Abschnitt enthält die Sicherheitshinweise, die erforderlich sind, um die Gefahr von Personen- oder Sachschäden zu vermeiden.
- Bei Weitergabe des Produkts an eine andere Person zum persönlichen Gebrauch oder zum Gebrauch aus zweiter Hand sind auch die Bedienungsanleitung, Produktetiketten und andere relevante Dokumente und Teile mitzugeben.
- Für Schäden, die bei Nichtbeachtung dieser Hinweise entstehen, übernimmt unser Unternehmen keine Haftung.
- Bei Nichtbeachtung dieser Anweisungen erlischt jegliche Garantie.
- Lassen Sie die Installations- und Reparaturarbeiten immer vom Hersteller, dem autorisierten Kundendienst oder einer vom Importeur zu benennenden Person durchführen.
- Verwenden Sie nur Originalersatzteile und Originalzubehör.
- Reparieren oder ersetzen Sie keine Komponenten des Produkts, es sei denn, dies ist im Benutzerhandbuch klar angegeben.

- Nehmen Sie keine technischen Veränderungen am Produkt vor.



### 1.1 Verwendungszweck

- Dieses Produkt wurde für die Verwendung zu Hause entwickelt. Es ist nicht für die kommerzielle Nutzung geeignet.
- Verwenden Sie das Produkt nicht in Gärten, Balkonen oder anderen Außenbereichen. Dieses Produkt ist für den Einsatz in Haushalten und in der Personalküche von Geschäften, Büros und anderen Arbeitsumgebungen vorgesehen.

### 1.2 Besondere Sicherheitshinweise rund um Kinder, schutzbedürftige Menschen und Haustiere



- Das Gerät darf nur dann von Kindern ab 8 Jahren und von Menschen, die unter körperlichen oder geistigen Einschränkungen leiden, bedient werden, wenn diese zuvor gründlich über die möglichen Gefahren des Gerätes und einen sicheren Umgang damit aufgeklärt wurden. Dies gilt natürlich

auch für sämtliche sonstigen Leute, die sich mit solchen Geräten noch nicht auskennen.

- Lassen Sie Kinder nicht mit dem Gerät spielen. Reinigungs- und leichte Wartungstätigkeiten dürfen nur dann von Kindern erledigt werden, wenn sie dabei stets unter Aufsicht stehen.
- Das Gerät sollte nicht von Menschen bedient werden, die unter körperlichen oder geistigen Einschränkungen leiden, sofern diese nicht stets beaufsichtigt werden und gründlich mit der Bedienung des Gerätes vertraut gemacht wurden. Dies gilt natürlich auch für Kinder.
- Kinder sollten stets beaufsichtigt werden, damit sie nicht mit dem Gerät spielen.
- Elektrogeräte können immer eine Gefahr für Kinder und Haustiere darstellen. Lassen Sie Kinder und Haustiere nicht mit dem Gerät spielen.
- Bewahren Sie das Verpackungsmaterial so auf, dass Kinder nicht herankommen. Es besteht ernsthafte Verletzungs- und Erstickungsgefahr.
- Bevor Sie abgenutzte und unbrauchbare Produkte entsorgen:

1. Ziehen Sie den Netzstecker aus der Steckdose (wenn das Gerät eingesteckt ist).
2. Schneiden Sie das Netzkabel ab und ziehen Sie es mit dem Stecker aus dem Gerät.
3. Erlauben Sie Kindern nicht, mit dem Gerät zu spielen, wenn es sich im Ruhezustand befindet.



### **1.3 Sicherheitshinweise zu Elektrogeräten**

- Schließen Sie das Gerät an eine Schutzkontaktsteckdose an. Achten Sie darauf, dass die Sicherung des Stromkreises zu den Angaben auf dem Typenschild des Gerätes passt. Lassen Sie die Erdung von einem qualifizierten Elektriker erledigen. Benutzen Sie das Gerät nicht ohne ordnungsgemäße Erdung gemäß nationalen Richtlinien.
- Der Stecker oder der elektrische Anschluss des Gerätes muss an einem leicht zugänglichen Ort sein. Falls Netzstecker oder elektrischer Anschluss nicht an stets erreichbarer Stelle möglich sind, sollte ein allpoliger Trennschalter (Sicherungen, Schalter etc.) in die Zuleitung integriert werden,

der den elektrotechnischen Vorgaben entspricht und natürlich gut erreichbar sein sollte.

- Ziehen Sie den Netzstecker oder schalten Sie die Sicherung aus, bevor Sie das Gerät reparieren, warten oder reinigen.
- Schließen Sie das Gerät an eine Steckdose an, deren Spannung und Netzfrequenz den Angaben auf dem Typenschild des Gerätes entspricht.
- (Verfügt Ihr Produkt über kein Netzkabel) verwenden Sie nur das im Kapitel „Technische Daten“ beschriebene Anschlusskabel.
- Schließen Sie Ihre Dienstabzugsgaube erst an, wenn sie montiert ist.
- Klemmen Sie das Netzkabel nicht unter oder hinter das Gerät. Stellen Sie keine schweren Gegenstände auf dem Netzkabel ab. Netzkabel dürfen nicht geknickt oder gequetscht werden und sie, dürfen keine heißen Stellen berühren.
- Verlegen Sie das Stromkabel nicht in der Nähe der Heizgeräte. Das Kabel könnte schmelzen und einen Brand verursachen.
- Achten Sie darauf, dass das Stromversorgungskabel nirgends eingeklemmt wird, wenn Sie das Gerät bei der Installation oder nach dem Reinigen an seinen Platz rücken.
- Schließen Sie Ihre Dienstabzugsgaube erst an, wenn sie montiert ist.
- Verwenden Sie nur Originalkabel. Verwenden Sie keine gekürzten oder beschädigten Kabel.
- Verwenden Sie kein Verlängerungskabel, keinen Mehrfachstecker, um Ihr Produkt zu betreiben.
- Wenden Sie sich an das autorisierte Servicezentrum oder den Importeur, um den zugelassenen Adapter zu verwenden, wenn die Verwendung eines Konverteradapters (für den Steckertyp) erforderlich ist.
- Wenden Sie sich an den Importeur oder das autorisierte Servicezentrum, wenn die Länge der Stromleitung unzureichend ist.
- Tragbare Stromquellen oder Mehrfachsteckdosen können sich überhitzen und in Brand geraten. Halten Sie Mehrfachsteckdosen und tragbare Stromquellen vom Gerät fern.
- Falls das Netzkabel beschädigt wird, muss es vom Hersteller, dem autorisierten Kundendienst oder einer vom Importeur angegebenen Fach-

kraft instandgesetzt werden, damit es nicht zu Gefährdungen kommt.

- Wenn Ihr Produkt über einen Stecker verfügt, stellen Sie keine elektrischen Verbindungen her, indem Sie den Stecker während der Installation abziehen. Durch Trennen hergestellte Verbindungen führen zum Erlöschen der Produktgarantie und stellen eine Gefahr für die Benutzersicherheit dar.

Wenn Ihr Produkt über ein Netzkabel und einen Stecker verfügt:

- Stecken Sie den Stecker des Produkts niemals in einen gebrochenen, losen oder aus der Steckdose herausgezogenen Stecker. Achten Sie darauf, dass der Stecker vollständig in die Steckdose eingesteckt ist. Andernfalls können sich die Anschlüsse überhitzen und einen Brand verursachen.
- Stecken Sie das Gerät nicht in Steckdosen, die fettig oder unsauber sind oder möglicherweise Wasser ausgesetzt sind (z. B. in der Nähe einer Arbeitsfläche, wo Wasser austreten kann). Es besteht sonst die Gefahr eines Kurzschlusses und eines Stromschlags.
- Berühren Sie den Netzstecker niemals mit feuchten oder gar nassen Händen!

- Ziehen Sie den Stecker aus der Steckdose, indem Sie das Gehäuse des Steckers und nicht das Kabel selbst benutzen.



## 1.4 Sicherheit beim Transport

- Trennen Sie das Gerät vollständig von der Stromversorgung, auch wenn es nur über sehr kurze Strecken transportiert, also nur umgesetzt wird.
- Das Gerät ist schwer, Sie brauchen also mindestens einen zusätzlichen Helfer.
- Stellen Sie keine Gegenstände auf das Gerät. Tragen Sie das Gerät senkrecht.
- Hüllen Sie das Gerät vor dem Transportieren mit Luftpolsterfolie (die mit den kleinen Blasen) oder kräftigem Karton ein, anschließend mit Klebeband fixieren. Sichern Sie die beweglichen Teile des Produkts fest, um Schäden zu vermeiden.
- Überprüfen Sie das Produkt vor der Installation auf eventuelle Transportschäden. Wenden Sie sich bei Schäden an den Importeur oder das autorisierte Servicezentrum.



## 1.5 Sicherheitshinweise zur Installation

- Um Ihr Produkt einsatzbereit zu machen, geben Sie zunächst den Aufstellort an und lassen Sie die Elektroinstallation durchführen. Lassen Sie die Installationsarbeiten immer vom Hersteller, dem autorisierten Kundendienst oder einer vom Importeur zu benennenden Person durchführen.
- Um Ihr Produkt einsatzbereit zu machen, geben Sie zunächst den Aufstellort an und lassen Sie die Elektroinstallation durchführen. Rufen Sie dann den autorisierten Service an, um die Installation durchführen zu lassen. Nach der Installation durch den autorisierten Service beginnt die Garantiezeit.
- Bevor Sie mit der Installation beginnen, schalten Sie die Stromleitung, an die das Produkt angeschlossen werden soll, durch Ausschalten der Sicherung stromlos.
- Wir raten immer zum Tragen von Schutzhandschuhen während des Transports und der Installation. Es besteht sonst Verletzungsgefahr durch scharfe Kanten!
- Prüfen Sie das Gerät auf Beschädigungen, bevor es an die Installation geht. Installieren Sie das Produkt nicht, wenn das Gerät beschädigt ist
- Vermeiden Sie die Verwendung von wärmeisolierenden Materialien zur Abdeckung des Innenraums der zu installierenden Möbel.
- Direkte Sonneneinstrahlung und Wärmequellen wie Elektro- oder Gasheizungen dürfen in dem Bereich, in dem das Produkt aufgestellt wird, nicht vorhanden sein.
- Befindet sich hinter dem Aufstellungsort des Produkts eine Steckdose, muss sichergestellt werden, dass das Produkt weder mit der Steckdose noch mit dem in die Steckdose eingesteckten Stecker in Berührung kommt.
- Bei Verwendung mit Schornsteinanschlüssen ist die Eignung des Schornsteins, an den das Produkt angeschlossen werden soll, von qualifizierten Personen zu prüfen.
- Die Höhe zwischen der Unterseite Ihrer Dunstabzugshaube und der Oberseite des Ofens sollte mindestens 650 mm bei Gasöfen und 500 mm bei Elektroöfen betragen. Andernfalls wird Ihr Produkt durch die Hit-



ze oder Flamme des Kochfeldes beeinträchtigt und stellt ein Sicherheitsrisiko dar.

- Bringen Sie die Haube niemals an Abgaskanälen an, die als Flammenheizer oder flammen-erzeugende Heizgeräte verwendet werden. Beachten Sie die örtlichen Vorschriften zum Spülen des Abflusses.
- Verwenden Sie Rohre mit einem Durchmesser von 120 mm, wenn Sie einen Rauchabzug an Ihr Produkt anschließen. Die Rohrverbindung sollte möglichst kurz und mit wenigen Bögen sein.

## 1.6 Sicher bedienen

- **Vergiftungsgefahr!** Während das Gerät in Betrieb ist, wird Luft aus dem ganzen Haus angesaugt. Wenn keine ausreichende Belüftung gewährleistet ist, kommt es zu einem Luftstrom und die durch die Verbrennung im Haus freigesetzten Abfälle und giftigen Gase werden resorbiert. Betreiben Sie das Produkt nicht zusammen mit Produkten, die für Luftzirkulation sorgen und giftige Gase freisetzen können (Holz-, Gas-, Öl- und Kohleöfen, Boiler, Warmwasserbereiter usw.).

- Stellen Sie sicher, dass das Produkt nach jedem Gebrauch ausgeschaltet ist.
- Verwenden Sie das Produkt nicht, wenn es während des Gebrauchs kaputt oder beschädigt wird. Trennen Sie das Gerät vollständig von der Stromversorgung. Wenden Sie sich an den Importeur oder das autorisierte Servicezentrum.
- Berühren Sie die Lampen Ihrer Dunstabzugshaube nicht, nachdem Sie die Dunstabzugshaube längere Zeit in Betrieb genommen haben. Heiße Lampen können Ihre Hand verbrennen.
- Das Gerät darf nicht ohne Ölfilter betrieben werden. Entfernen Sie die Filter nicht, während das Gerät in Betrieb ist. Andernfalls können das Produkt und die elektrischen Anschlüsse durch das Öl beeinträchtigt werden.
- Keine große Flamme unter dem Produkt erzeugen. Andernfalls kann sich das Öl im Ölfilter entzünden und einen Brand verursachen.
- Schalten Sie den Backofen aus, bevor Sie Kochtöpfe, Pfannen usw. aus dem Backofen nehmen. Andernfalls könnte

Ihr Produkt durch Flammen und zunehmende Hitze beschädigt werden.

- Stellen Sie niemals brennbare oder sturzgefährdete Gegenstände auf die Haube. Sie könnten sonst auf den Hopfen fallen und diesen verbrennen oder in das Essen fallen und den Benutzer verletzen,
- Bewahren Sie keine leicht entflammbaren Materialien unter Ihrer Haube auf.
- (Der Raum muss gut belüftet sein, wenn die Dunstabzugshaube in demselben Bereich wie ein mit Gas oder Flüssigbrennstoff betriebenes Gerät verwendet wird.
- Der Schornstein von Geräten wie Raumheizungen, die mit Gas oder Flüssigbrennstoff betrieben werden, muss in der Umgebung, in der die Haube verwendet wird, vollständig isoliert sein, oder das Gerät muss hermetisch abgeschlossen sein.
- Wenn in der gleichen Umgebung mit Dunstabzugshaube ein anderes Gerät mit anderer Energie als elektrischer Energie betrieben wird, sollte der Unterdruck im Raum maximal 0,04 mbar betragen, damit die Abluft des anderen Geräts

nicht durch die Belüftung in den Raum zurückgezogen wird.

- An den Haubengriffen dürfen keine leicht entzündlichen und brennbaren Materialien aufgehängt (wenn überhaupt) werden.
- Unter der Haube darf kein offenes Feuer sein. (zum Beispiel: flambieren)
- **Vorsicht:** Zugängliche Teile können sich bei Verwendung mit einem Herd erhitzen.



### 1.7 Sicherheitshinweise zum Reinigen und Pflegen

- Das auf der Haube und dem Fettfilter angesammelte Fett muss in den angegebenen Intervallen gereinigt werden. Ansonsten besteht Brandgefahr!
- Es wird empfohlen, den Filter bei normalem Gebrauch einmal im Monat zu reinigen. Andernfalls könnte die Ölsammlung im Filter Feuer fangen und eine Gefahr darstellen.
- Waschen Sie das Gerät nicht mit Wasser ab, besprühen Sie das Gerät nicht mit Wasser! Es besteht Stromschlaggefahr!

- Verwenden Sie zum Reinigen des Produkts keine Dampfreiniger, da dies einen elektrischen Schlag verursachen kann.

## 2 Hinweise zum Umweltschutz

### 2.1 Abfallrichtlinie

#### 2.1.1 Informationen zur Entsorgung

##### Ihre Pflichten als Endnutzer



Dieses Elektro- bzw. Elektronikgerät ist mit einer durchgestrichenen Abfalltonne auf Rädern gekennzeichnet. Das Gerät darf deshalb nur getrennt vom unsortierten Siedlungsabfall gesammelt und zurückgenommen werden. Es darf somit nicht in den Hausmüll gegeben werden. Das Gerät kann z.B. bei einer kommunalen Sammelstelle oder ggf. bei einem Vertreter (siehe unten zu deren Rücknahmepflichten in Deutschland) abgegeben werden.

Das gilt auch für alle Bauteile, Unterbaugruppen und Verbrauchsmaterialien des zu entsorgenden Altgeräts.

Bevor das Altgerät entsorgt werden darf, müssen alle Altbatterien und Altakkumulatoren vom Altgerät getrennt werden, die nicht vom Altgerät umschlossen sind. Das gleiche gilt für Lampen, die zerstörungsfrei aus dem Altgerät entnommen werden können. Der Endnutzer ist zudem selbst dafür verantwortlich, personenbezogene Daten auf dem Altgerät zu löschen.

##### Hinweise zum Recycling



Helfen Sie mit, alle Materialien zu recyceln, die mit diesem Symbol gekennzeichnet sind.

Entsorgen Sie solche Materialien, insbesondere Verpackungen, nicht im Hausmüll, sondern über die bereitgestellten Recyclingbehälter oder die entsprechenden örtlichen Sammelsysteme. Recyceln Sie zum Umwelt- und Gesundheitsschutz elektrische und elektronische Geräte.

##### Rücknahmepflichten der Vertreter

Wer auf mindestens 400 m<sup>2</sup> Verkaufsfläche Elektro- und Elektronikgeräte vertreibt oder diese gewerblich an Endnutzer abgibt, ist verpflichtet, bei Abgabe eines neuen Gerätes, ein Altgerät des Endnutzers der gleichen Geräteart, das im Wesentlichen die gleichen Funktionen wie das neue Gerät erfüllt, am Ort der Abgabe oder in unmittelbarer Nähe, unentgeltlich zurückzunehmen. Das gilt auch für Vertreter von Lebensmitteln mit einer Gesamtverkaufsfläche von mindestens 800 m<sup>2</sup>, die mehrmals im Kalenderjahr oder dauerhaft Elektro- und Elektronikgeräte anbieten und auf dem Markt bereitstellen. Solche Vertreter müssen zudem auf Verlangen des Endnutzers Altgeräte, die in keiner äußeren Abmessung größer als 25 cm sind, (kleine Elektrogeräte) im Einzelhandelsgeschäft oder in unmittelbarer Nähe hierzu unentgeltlich zurückzunehmen; die Rücknahme darf in diesem Fall nicht an den Kauf eines Elektro- oder Elektronikgerätes verknüpft, kann aber auf drei Altgeräte pro Geräteart beschränkt werden. Ort der Abgabe ist auch der private Haushalt, wenn das neue Elektro- oder Elektronikgerät dorthin geliefert wird; in diesem Fall ist die Abholung des Altgerätes für den Endnutzer kostenlos.

Die vorstehenden Pflichten gelten auch für den Vertrieb unter Verwendung von Fernkommunikationsmitteln, wenn die Vertreiber Lager- und Versandflächen für Elektro- und Elektronikgeräte bzw. Gesamtlager und Versandflächen für Lebensmittel beinhalten, die den oben genannten Verkaufsflächen entsprechen. Die unentgeltliche Abholung von Elektro- und Elektronikgeräten ist dann aber auf Wärmeüberträger (z.B. Kühlschrank), Bildschirme, Monitore und Geräte, die Bildschirme mit einer Oberfläche von mehr als 100 cm<sup>2</sup> enthalten und Geräte beschränkt, bei denen mindestens eine der äußeren Abmessungen mehr als 50 cm beträgt. Für alle übrigen Elektro- und Elektronikgeräte muss der Vertreiber geeignete Rückgabemöglichkeiten in zumutbarer Entfernung zum jeweiligen Endnutzer gewähr-

leisten; das gilt auch für kleine Elektrogeräte (s.o.), die der Endnutzer zurückgeben möchte, ohne ein neues Gerät zu erwerben.

### **Einhaltung von RoHS-Vorgaben:**

Das von Ihnen erworbene Produkt erfüllt die Vorgaben der EU-RoHS Richtlinie (2011/65/EU). Es enthält keine in der Richtlinie angegebenen gefährlichen und unzulässigen Materialien.

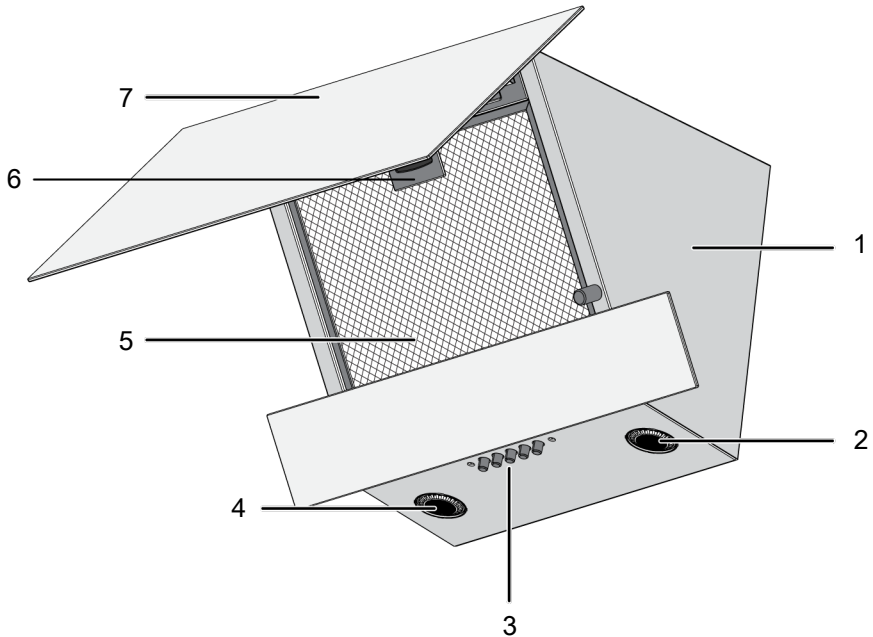
## **2.2 Paketinformationen**

Verpackungsmaterialien des Produkts werden gemäß unseren nationalen Umweltvorschriften aus recycelbaren Materialien hergestellt. Entsorgen Sie den Verpackungsabfall nicht mit dem Hausmüll oder anderen Abfällen, sondern bringen Sie ihn zu den von den örtlichen Behörden vorgesehenen Sammelstellen für Verpackungsmaterial.

## 3 Ihr neues Gerät

### 3.1 Produktübersicht

DE



1 Haubenkörper

3 Bedienfeld

5 Metallfettfilter

7 Haubenglasdeckel

2 Lampe

4 Lampe

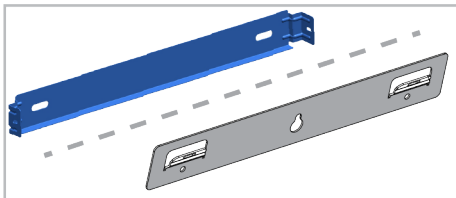
6 Metallfettfilterverschluss

\* Abhängig vom Modell. Möglicherweise ist es bei Ihrem Produkt nicht verfügbar.

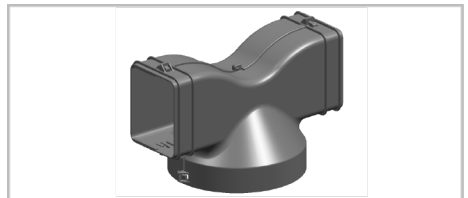
### 3.2 Produktzubehör

Je nach Gerätemodell wird unterschiedliches Zubehör angeboten. Eventuell ist nicht sämtliches in dieser Anleitung beschriebene Zubehör für Ihr Gerät erhältlich.

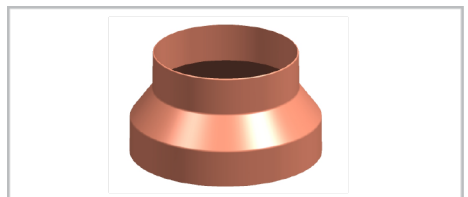
#### Wandmontage teil



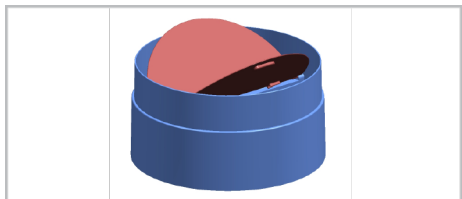
#### Luftrouter



#### Abgasanschlussadapter



**Abdeckungen, um einen umgekehrten  
Luftstrom zu verhindern**



### 3.3 Technische Spezifikationen

Produkt-Außenabmessungen (Höhe/Breite/Tiefe) (mm)	min. 910 - max. 1138 /595 /396
Spannung / Frequenz	220-240 V ~1N; 50 Hz
Gesamte Leistungsaufnahme	max. 155 W
Saugleistung	400 m3/h
Durchmesser des Luftauslassrohres	120-150 mm

DE



Technische Spezifikationen können ohne vorherige Ankündigung geändert werden, um die Qualität des Produkts zu verbessern.



Die Abbildungen in diesem Handbuch sind schematisch und entsprechen möglicherweise nicht genau Ihrem Produkt.



Die auf den Produktetiketten oder in der Begleitdokumentation angegebenen Werte werden unter Laborbedingungen in Übereinstimmung mit den einschlägigen Normen ermittelt. Je nach Betriebs- und Umgebungsbedingungen des Produkts können diese Werte variieren.

## 4 Erste Verwendung

Bevor Sie Ihr Produkt verwenden, wird empfohlen, die in den folgenden Abschnitten aufgeführten Schritte durchzuführen.

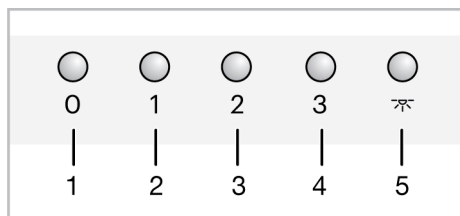
### 4.1 Erstreinigung

1. Entfernen Sie das gesamte Verpackungsmaterial.
2. Wischen Sie die Außenflächen des Gerätes mit einem feuchten Tuch oder Schwamm ab, trocknen Sie mit einem trockenen Tuch nach.

## 5 Nutzung der Dunstabzugshaube

Die Dunstabzugshaube hat einen Motor mit verschiedenen Geschwindigkeiten. Für eine gute Leistung empfehlen wir, unter normalen Bedingungen niedrige Geschwindigkeiten und bei starker Geruchs- und Dampfkondensation hohe Geschwindigkeiten zu verwenden.

### MODELL A



- 1 Aus-Taste
- 2 Geschwindigkeit 1-Taste
- 3 Geschwindigkeit 2 Taste
- 4 Geschwindigkeit 3 Taste
- 5 Lampentaste

**HINWEIS:** Einige Reinigungsmittel können die Oberfläche beschädigen. Verwenden Sie bei der Reinigung keine scheuernden Reinigungsmittel, Reinigungspulver, Reinigungscremes oder scharfe Gegenstände.

**HINWEIS:** Bei der ersten Anwendung kann es über mehrere Stunden zu Rauch- und Geruchsentwicklung kommen. Dies ist normal, und Sie brauchen nur eine gute Belüftung, um bei zu entfernen. Vermeiden Sie das direkte Einatmen von Rauch und Gerüchen, die sich bilden.

### Bedienung der Dunstabzugshaube

1. Drücken Sie die gewählte Geschwindigkeitsstufentaste, um die Dunstabzugshaube zu bedienen.
  - ⇒ Die Dunstabzugshaube beginnt in der eingestellten Geschwindigkeitsstufe zu laufen.
2. Sie können die anderen Geschwindigkeitsstufentasten drücken, um die Geschwindigkeitsstufe zu ändern.

### Dunstabzugshaube ausschalten

1. Wenn Ihre Dunstabzugshaube auf einer beliebigen Stufe betrieben wird, drücken Sie die Aus-Taste.

### Betrieb der Lampe

1. Drücken Sie die Taste, um die Lampe zu bedienen.
  - ⇒ Dunstabzugshaube leuchtet.

### Ausschalten der Lampe

1. Sie können die Haubenlampe durch erneutes Drücken der Taste ausschalten.

## 6 Wartung und Reinigung

### 6.1 Allgemeine Reinigungshinweise

#### Allgemeine Warnungen

- Warten Sie, bis das Produkt abgekühlt ist, bevor Sie das Produkt reinigen. Heiße Oberflächen verursachen Verbrennungen!
- Tragen Sie die Reinigungsmittel nicht direkt auf die heißen Oberflächen auf. Dies kann zu dauerhaften Flecken führen.
- Das Produkt muss nach jedem Vorgang gründlich gereinigt und getrocknet werden. Deshalb müssen Speisereste leicht zu reinigen sein und ein Verbrennen die-



ser Rückstände zu verhindern sein, wenn das Produkt später wieder verwendet wird. Dadurch verlängert sich die Lebensdauer des Geräts und häufig auftretende Probleme werden verringert.

- Verwenden Sie zur Reinigung keine Dampf Reinigungsmittel.
- Einige Reinigungsmittel können die Oberfläche beschädigen. Ungeeignete Reinigungsmittel sind: Bleichmittel, ammoniak-, säure- oder chloridhaltige Reinigungsmittel, Dampfreiniger, Entkalker, Flecken- und Rostentferner, scheuernde Reinigungsmittel (Cremereiniger, Scheuerpulver, Scheuercreme, Scheuer- und Kratzbürsten, Draht, Schwämme, Reinigungstücher mit Schmutz- und Waschmittelrückständen).
- Bei der Reinigung nach jedem Gebrauch wird kein spezielles Reinigungsmaterial benötigt. Reinigen Sie das Gerät mit Spülmittel, warmem Wasser und einem weichen Tuch oder Schwamm. Anschließend trocknen Sie alles mit einem trockenen Tuch gut ab.
- Achten Sie darauf, dass nach dem Reinigen keine Flüssigkeit im Ofeninneren zurückbleibt, entfernen Sie Speisereste am besten gleich beim Kochen.
- Waschen Sie keine Bestandteile Ihres Gerätes in der Spülmaschine, sofern in der Bedienungsanleitung nicht anders angegeben.

### **Inox - Edelstahlteile**

- Verwenden Sie keine säure- oder chlorhaltigen Reinigungsmittel, um Oberflächen und Griffe aus Edelstahl-Inox zu reinigen.
- Oberflächen aus Edelstahl-Inox können mit der Zeit ihre Farbe ändern. Das ist normal. Reinigen Sie nach jedem Betrieb mit einem Reinigungsmittel, das für Oberflächen aus Edelstahl oder Inox geeignet ist.
- Reinigen Sie sie mit einem weichen Schwammtuch und einem flüssigen (nicht kratzenden) Reinigungsmittel, das für Inox-Oberflächen geeignet ist, und wischen Sie sie in eine Richtung ab.

- Entfernen Sie Kalk-, Öl-, Stärke-, Milch- und Eiweißflecken auf den Glas- und Ino-oberflächen, umgehend ohne zu warten. Bestimmte Flecken können bei längerer Einwirkzeit Rost verursachen.
- Reinigungsmittel, die auf die Oberfläche gesprüht/aufgetragen werden, sollten sofort gereinigt werden. Grobe Reiniger, die auf der Oberfläche verbleiben, lassen die Oberfläche weiß werden.

### **Glasflächen**

- Verzichten Sie beim Reinigen der Glasflächen auf Metallschaber und Scheuermittel. Solche Hilfsmittel können das Glas zerkratzen oder blind machen.
- Reinigen Sie das Gerät mit Spülmittel, warmem Wasser und einem Mikrofaser-tuch speziell für Glasoberflächen und trocknen Sie es mit einem trockenen Mikrofaser-tuch.
- Falls nach dem Reinigen Rückstände verbleiben sollten, wischen Sie diese mit kaltem Wasser ab, anschließend trocknen Sie mit einem sauberen trockenen Mikrofaser-tuch nach. Reinigungsmittelrückstände können das Glas beim nächsten Einsatz beschädigen.
- Versuchen Sie unter keinen Umständen, angetrocknete Reste am Glas mit Wellenschliffmessern, Stahlwolle, Metallschabern oder ähnlichen Werkzeugen zu reinigen.
- Kalkflecken (gewöhnlich gelblich bis bräunlich, manchmal auch rötlich) am Glas beseitigen Sie am besten mit handelsüblichem Kalkentferner oder kalklösenden Hausmitteln.
- Wenn die Oberfläche stark verschmutzt ist, tragen Sie das Reinigungsmittel mit einem Schwamm auf den Fleck auf und warten Sie so lange, bis er richtig funktioniert. Anschließend reinigen Sie die Glasfläche mit einem feuchten Tuch.
- Verfärbungen und Flecken auf den Glasflächen treten im Laufe der Zeit unweigerlich auf, dies ist völlig normal.

### Kunststoff- und lackierte Teile

- Reinigen Sie Kunststoff- und lackierte Teile mit Spülmittel, warmem Wasser und einem weichen Tuch oder Schwamm. Anschließend trocknen Sie alles mit einem trockenen Tuch gut ab.
- Verzichten Sie auf Metallschaber und Scheuermittel. Sie können die Oberflächen Schaden nehmen.
- Stellen Sie sicher, dass die Verbindungen der Komponenten des Produkts nicht so feucht und mit Reinigungsmittel belassen werden. Andernfalls kann es zu Korrosion an diesen Verbindungen kommen.

### 6.2 Bedienfeld reinigen


- Wischen Sie die Paneele und die Knöpfe mit einem feuchten, weichen Tuch ab und trocknen Sie sie mit einem trockenen Tuch. Entfernen Sie nicht die darunter liegenden Knöpfe und Dichtungen, um die Platte zu reinigen. Das Bedienfeld und die Knöpfe können beschädigt werden.
- Verwenden Sie beim Reinigen der Inox-Bedienfelder mit Knopfregler keine Inox-Reinigungsmittel um die Knöpfe. Die Anzeigen um den Drehknopf können gelöscht werden.
- Reinigen Sie die Sensorflächen mit einem weichen, leicht feuchten Tuch, trocknen Sie danach mit einem trockenen Tuch gut nach. Wenn Ihr Gerät mit einer Kindersicherung ausgestattet ist, stellen Sie diese vor dem Reinigen des Bedienfeldes ein. Andernfalls kann es zum ungewollten Auslösen verschiedener Funktionen kommen.

### 6.3 Metallfettfilter

Dieser Filter dient dazu, Fettpartikel in der Luft zurückzuhalten. **Es wird empfohlen, den Filter bei normalem Gebrauch einmal im Monat zu reinigen.** Um das zu erreichen:

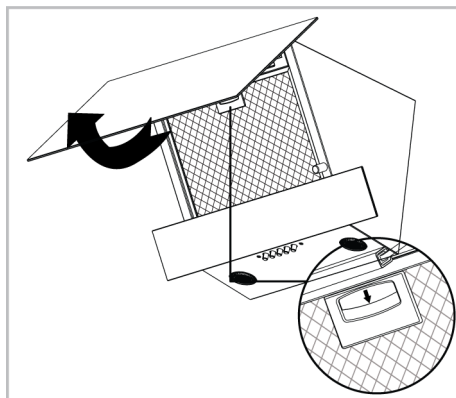
1. Entfernen Sie die Metallfettfilter.
2. Waschen Sie die Filter in Wasser mit flüssigem Reinigungsmittel und setzen Sie sie nach dem Trocknen wieder ein.

Metallfettfilter können beim Waschen ihre Farbe ändern. Dies ist normal und erfordert keinen Austausch der Filter.

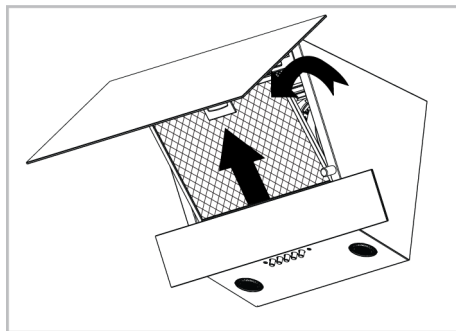
 Sie können den Metallfettfilter auch in der Spülmaschine reinigen. (max. 70 °C)

#### Entfernen der Metallfettfilter

1. Haubendeckel nach oben öffnen und Alu-Filterverschluss nach unten ziehen, wie in der Abbildung gezeigt.



2. Ziehen Sie den Filter zuerst vorsichtig zu sich heran und ziehen Sie ihn nach oben, um ihn aus seinem Steckplatz zu entfernen.



3. Setzen Sie den Metallfettfilter nach dem Spülen wieder in seinen Schlitz ein, indem Sie die obigen Schritte in umgekehrter Reihenfolge ausführen.

## 6.4 Aktivkohlefilter (Verwendung ohne Abluft)

### Allgemeine Warnungen

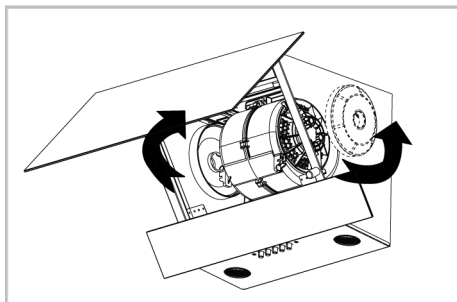
- Wenn Sie Ihr Produkt ohne Abluft installiert haben, sollten Sie Ihre Aktivkohlefilter bei normalem Gebrauch alle 4 Monate austauschen. Sie können den Aktivkohlefilter von autorisierten Kundendienststellen beziehen.
- Der Aktivkohlefilter sollte niemals gewaschen werden.
- Wenn Sie die Regeln zum Reinigen und Ersetzen der Filter Ihrer Dunstabzugshaube nicht befolgen, können Sie einen Brand verursachen.



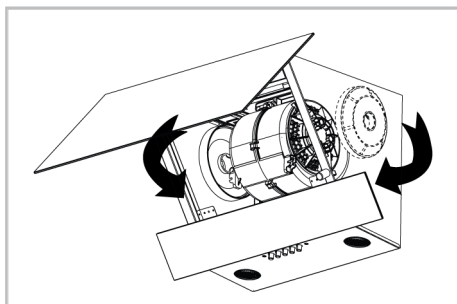
Bei der Verwendung von Kohlefiltern steigt der Schallpegel und die Durchflussleistung sinkt.

### Entfernen der Aktivkohlefilter

1. Öffnen Sie die Glasabdeckung der Dunstabzugshaube und entfernen Sie den Metallfettfilter.
2. Schrauben Sie die Aktivkohlefilter rechts und links vom Motor ab.



3. Setzen Sie die Nasenschlitze Ihrer neuen Kohlefilter in die Nasen am Motorhalter ein und drehen Sie sie im Uhrzeigersinn, um sie einzurasten.



4. Schließen Sie die Glasabdeckung der Dunstabzugshaube nach dem Einbau des Aluminiumfilters.

## 6.5 Haubenlampe

Bei einer Fehlfunktion der Lampe in der Dunstabzugshaube wenden Sie sich an Ihren Händler vor Ort oder den Kundendienst und sorgen Sie dafür, dass die Lampe ausgetauscht wird.

## 7 Fehlerbehebung

Sollte das Problem nach dem Ausführen der hier gegebenen Anweisungen fortbestehen, wenden Sie sich bitte an den Kundendienst oder den Fachhändler. Versuchen Sie niemals ihr Gerät selbständig zu reparieren.

### Gerät funktioniert nicht.

- Sicherung ist möglicherweise defekt oder durchgebrannt. >>> Überprüfen Sie die Sicherungen im Sicherungskasten. Falls nötig, ersetzen oder reaktivieren Sie sie.
- Das Produkt ist möglicherweise nicht eingesteckt. >>> Prüfen Sie, ob das Produkt an die Steckdose angeschlossen ist oder nicht.
- Die Geschwindigkeitstaste ist möglicherweise nicht eingestellt. >>> Drücken/berühren Sie die gewünschte Geschwindigkeitstaste.
- Möglicherweise gibt es keinen Strom. >>> Stellen Sie sicher, dass das Stromnetz betriebsbereit ist und überprüfen Sie die

Sicherungen im Sicherungskasten. Tauschen Sie bei Bedarf die Sicherungen aus oder aktivieren Sie diese wieder.

**Haubenlicht ist nicht an.**

- Die Haubenlampe ist möglicherweise defekt. >>> Wenden Sie sich an Ihren Händler vor Ort, bei dem Sie Ihr Produkt gekauft haben, oder an den Kundendienst und stellen Sie sicher, dass die Lampe ausgetauscht wird.
- Möglicherweise gibt es keinen Strom. >>> Stellen Sie sicher, dass das Stromnetz betriebsbereit ist und überprüfen Sie die Sicherungen im Sicherungskasten. Tauschen Sie bei Bedarf die Sicherungen aus oder aktivieren Sie diese wieder.



## **Bienvenue !**

---

Cher client, chère cliente

Nous vous remercions d'avoir choisi l'appareil Beko . Nous voulons que votre appareil de haute qualité et doté d'une technologie de pointe vous offre une efficacité optimale. Pour ce faire, lisez attentivement ce manuel et tout autre document fourni avant d'utiliser l'appareil.

Tenez compte de toutes les informations et avertissements figurant dans le manuel d'utilisation. Ainsi, vous vous protégerez, vous et votre produit, contre d'éventuels dangers.

Conservez le manuel d'utilisation. Si vous donnez l'appareil à quelqu'un d'autre, donnez également le manuel. Les conditions de garantie, les méthodes d'utilisation et de dépannage de votre appareil sont indiquées dans ce manuel.

### **Les symboles et leurs descriptions dans le manuel de l'utilisateur :**



Danger pouvant entraîner la mort ou des blessures.



Informations importantes et conseils d'utilisation utiles.



Lisez le manuel d'utilisation.



Attention aux surfaces chaudes.

**RE-  
MARQUE**

Danger pouvant entraîner des dommages matériels à l'appareil ou à son environnement.

**Arçelik A.Ş.**  
Karaağaç caddesi No:2-6  
34445 Sütlüce/Istanbul/TURKEY  
Made in TURKEY

## Table des matières

<b>1</b>	<b>Consignes de sécurité.....</b>	<b>40</b>
1.1	Utilisation prévue.....	40
1.2	Sécurité des enfants, des personnes vulnérables et des animaux domestiques.....	40
1.3	Sécurité électrique.....	41
1.4	Sécurité des transports.....	43
1.5	Sûreté des installations .....	43
1.6	Sécurité d'utilisation.....	44
1.7	Sécurité relative à l'entretien et au nettoyage .....	46
<b>2</b>	<b>Instructions relatives à l'environnement.....</b>	<b>46</b>
2.1	Directive sur les déchets.....	46
2.1.1	Conformité avec la directive DEEE et élimination des déchets .....	46
2.2	Informations sur l'emballage.....	46
<b>3</b>	<b>Votre appareil.....</b>	<b>47</b>
3.1	Présentation de l'appareil .....	47
3.2	Accessoires de l'appareil .....	47
3.3	Spécifications techniques .....	49
<b>4</b>	<b>Première utilisation.....</b>	<b>50</b>
4.1	Premier nettoyage .....	50
<b>5</b>	<b>Utilisation de la hotte .....</b>	<b>50</b>
<b>6</b>	<b>Entretien et nettoyage.....</b>	<b>50</b>
6.1	Consignes de nettoyage générales.....	50
6.2	Nettoyage du panneau de commande .....	52
6.3	Filtre en aluminium.....	52
6.4	Filtre à charbon (utilisation sans conduit de fumée) .....	53
6.5	Lampe de la hotte.....	53
<b>7</b>	<b>Dépannage .....</b>	<b>53</b>



## 1 Consignes de sécurité

- Cette section contient les instructions de sécurité nécessaires à la prévention des risques de dommage corporel ou de dommage matériel.
- Si l'appareil est remis à une autre personne pour un usage personnel ou à des fins d'utilisation d'occasion, le manuel d'utilisation, les étiquettes de l'appareil et les autres documents et pièces pertinents doivent également être remis.
- Notre entreprise ne peut être tenue pour responsable des dommages qui peuvent survenir si ces instructions ne sont pas respectées.
- Le non-respect de ces instructions annule toute garantie.
- Faites toujours effectuer les travaux d'installation et de réparation par le fabricant, le service agréé ou une personne que l'entreprise importatrice désignera.
- Utilisez uniquement des pièces d'origine et des accessoires d'origine.
- Évitez de réparer ou de remplacer tout composant de l'appareil sauf si cela est clairement spécifié dans le manuel d'utilisation.

- N'apportez pas de modifications techniques à l'appareil.



### 1.1 Utilisation prévue

- Cet appareil est conçu pour être utilisé à domicile. Il n'est pas destiné à un usage commercial.
- N'utilisez pas l'appareil dans les jardins, les balcons ou autres environnements extérieurs. Cet appareil est destiné à une utilisation dans les ménages et dans les cuisines du personnel de magasins, de bureaux et d'autres environnements de travail.

### 1.2 Sécurité des en-



### fants, des personnes vulnérables et des animaux domestiques

- Cet appareil peut être utilisé par des enfants de 8 ans et plus et par des personnes dont les aptitudes physiques, sensorielles ou mentales sont sous-développées, ou qui manquent d'expérience et de connaissances, à condition qu'ils soient encadrés ou formés à l'utilisation sécuritaire et aux dangers de l'appareil.



- Les enfants ne doivent pas jouer avec l'appareil. Ne laissez pas les enfants effectuer le nettoyage et l'entretien de l'appareil, à moins qu'ils soient sous surveillance.
- Cet appareil ne doit pas être utilisé par des personnes ayant des capacités physiques, sensorielles ou mentales limitées (y compris les enfants), sauf si elles sont gardées sous surveillance ou reçoivent les instructions nécessaires.
- Les enfants doivent être surveillés afin de s'assurer qu'ils ne jouent pas avec l'appareil.
- Les appareils électriques sont dangereux pour les enfants et les animaux domestiques. Les enfants et les animaux de compagnie ne doivent pas jouer avec l'appareil.
- Conservez les matériaux d'emballage hors de la portée des enfants. Ils pourraient entraîner des lésions ou une asphyxie.
- Avant de mettre au rebut un appareil usagé ou hors service :
  1. Débranchez l'appareil (s'il est branché).
  2. Coupez le câble d'alimentation et détachez-le de l'appareil avec la fiche.
- 3. Ne laissez pas les enfants jouer avec l'appareil lorsqu'il est en veille.



### **1.3 Sécurité électrique**

- Branchez l'appareil à un courant avec prise de terre protégée par un fusible qui correspond aux courants nominaux indiqués sur la plaque signalétique. Contactez un technicien qualifié pour l'installation de la mise à la terre. N'utilisez pas l'appareil sans prise de terre conformément aux réglementations locales / nationales.
- La fiche ou les raccords électriques de l'appareil doivent être facilement accessibles. Si cela est impossible, il doit y avoir un mécanisme (fusible, interrupteur, interrupteur à clé, etc.) sur l'installation électrique à laquelle l'appareil est connecté, conforme à la réglementation électrique et séparant tous les pôles du réseau.
- Débranchez l'appareil ou coupez le fusible avant toute tâche de réparation, de maintenance ou de nettoyage.
- Branchez l'appareil dans une prise conforme aux valeurs de tension et de fréquence indiquées sur la plaque signalétique.

- (Si l'appareil n'est pas équipé d'un câble d'alimentation) utilisez uniquement le câble de connexion présenté dans la section « Spécifications techniques ».
  - Ne branchez pas votre hotte avant qu'elle ne soit montée.
  - Ne bloquez pas le cordon d'alimentation sous et derrière l'appareil. Ne placez aucun objet lourd sur le cordon d'alimentation. Le cordon d'alimentation ne doit pas être plié, coincé, ni entrer en contact avec une source de chaleur.
  - N'installez pas le cordon d'alimentation près d'un radiateur. Le câble pourrait fondre et provoquer un incendie.
  - Assurez-vous de ne pas coincer le câble d'alimentation lors de la mise en place de l'appareil après le montage ou le nettoyage.
  - Ne branchez pas votre hotte avant qu'elle ne soit montée.
  - Utilisez uniquement des câbles originaux. N'utilisez pas de câbles endommagés.
  - N'utilisez pas de rallonge ni de multiprises pour brancher l'appareil.
  - Contactez le service technique agréé ou l'importateur pour utiliser l'adaptateur approuvé lorsque l'utilisation d'un adaptateur convertisseur (pour le type à brancher) est nécessaire.
  - Contactez l'exportateur ou le service technique agréé si la longueur du cordon d'alimentation est inappropriée.
  - Les sources d'alimentation portables ou les multiprises peuvent surchauffer ou prendre feu. Tenez les sources d'alimentation portables ou les multiprises loin de l'appareil.
  - Si le cordon d'alimentation est endommagé, il doit être remplacé par le fabricant, un service autorisé ou une personne désignée par l'entreprise importatrice afin de prévenir d'éventuels dangers.
  - Si votre appareil est équipé d'une fiche, n'effectuez pas de connexions électriques en débranchant la fiche pendant l'installation. Les connexions réalisées par coupure rendent la garantie du produit nulle et constituent un danger pour la sécurité de l'utilisateur.
- Si votre appareil est équipé d'un cordon et d'une fiche :
- Ne branchez jamais la fiche de l'appareil dans une prise cassée, détachée ou démontée. Assurez-vous que la fiche est entièrement insérée dans la

prise. Sinon, les branchements peuvent surchauffer ou prendre feu.

- Évitez d'insérer l'appareil dans des prises huileuses, sales ou potentiellement exposées à de l'eau (telles que celles près d'un plan de travail exposé à des fuites d'eau). Sinon, il y a un risque de court-circuit ou d'électrocution.
- Évitez de toucher la fiche avec des mains humides !
- Tirez la fiche de la prise en tenant le corps de la fiche plutôt que le cordon d'alimentation.

#### 1.4 Sécurité des transports

- Avant le nettoyage, débranchez le produit de l'alimentation électrique avant de porter l'appareil.
- L'appareil est lourd, il doit être porté par au moins deux personnes.
- Ne posez pas d'objets sur l'appareil. Portez l'appareil verticalement.
- Lorsque vous souhaitez transporter l'appareil, emballez-le avec du matériel d'emballage à bulles ou du carton épais et attachez-le avec du ruban adhésif. Maintenez les parties mobiles de l'appareil bien fermes afin d'éviter tout dommage.

- Avant d'installer l'appareil, vérifiez s'il présente des dommages résultant du transport. Contactez l'exportateur ou le service technique autorisé s'il présente des dommages.

#### 1.5 Sûreté des installations

- Pour que votre appareil soit prêt à l'emploi, il faut premièrement indiquer le lieu d'installation et faire réaliser l'installation électrique. Faites toujours réaliser l'installation par le fabricant, le service technique agréé ou un technicien désigné par l'exportateur.
- Pour que votre appareil soit prêt à l'emploi, il faut premièrement indiquer le lieu d'installation et faire réaliser l'installation électrique. Contactez ensuite le service technique agréé pour faire réaliser l'installation. Une fois l'installation effectuée par le service technique agréé, la période de garantie commence.
- Avant de commencer l'installation, coupez la ligne d'alimentation à laquelle sera branché l'appareil en désactivant le fusible.
- Portez toujours des gants de protection lors du transport et de l'installation. Le non-respect

de cette consigne peut entraîner un risque de blessure à cause de bords pointus.

- Avant d'installer l'appareil, vérifiez s'il présente des dommages. Ne faites pas installer l'appareil si celui-ci est endommagé.
- Évitez d'utiliser des matériaux d'isolation thermique pour recouvrir l'intérieur du meuble à installer.
- La zone d'installation de l'appareil ne doit être exposée aux rayons solaires ni à des sources de chaleur telles que les brûleurs électriques ou à gaz.
- Lorsqu'il se trouve une prise derrière l'emplacement d'installation de l'appareil, il est nécessaire de s'assurer que l'appareil n'est pas en contact avec cette prise ni qu'aucune fiche n'est branchée sur cette prise.
- Pour une utilisation avec des raccordements de cheminée, faites évaluer la cheminée à laquelle l'appareil sera raccordé par des techniciens qualifiés.
- La hauteur entre la surface inférieure de votre hotte et la surface supérieure du four ne doit pas être inférieure à 650 mm pour fours à gaz et à 500 mm pour les fours élec-

triques. Autrement, l'appareil peut être affecté par la chaleur ou les flammes de la cuisinière, ce qui présente un risque de sécurité.

- Ne raccordez pas la hotte à des cheminées utilisées comme des chauffe-flammes ou des radiateurs à flammes. Respectez les réglementations locales en matière de purge de l'écoulement.
- Utilisez des tuyaux d'un diamètre de 120 mm pour raccorder un conduit de fumée à votre appareil. Le raccordement des tuyaux doit être aussi court que possible et comporter peu de coudes.



## 1.6 Sécurité d'utilisation

- **Danger d'empoisonnement !**  
Pendant que l'appareil fonctionne, l'air est aspiré dans toute la maison. Si la ventilation n'est pas suffisante, le flux d'air, les déchets et les gaz toxiques libérés par la combustion dans la maison sont réabsorbés. Ne faites pas fonctionner l'appareil avec des appareils qui assurent la circulation de l'air et qui peuvent émettre des gaz toxiques (bois, gaz, poêle à pétrole à charbon, chaudières, chauffe-eau, etc.)

- Assurez-vous d'éteindre l'appareil après chaque utilisation.
- Cessez d'utiliser l'appareil s'il connaît une panne ou s'il est endommagé pendant l'utilisation. Débranchez l'appareil de la prise électrique. Contactez l'importateur ou le service technique agréé.
- Ne touchez pas les lampes de votre hotte après avoir utilisé la hotte pendant une longue période. Sinon, vous risquez de vous brûler la main.
- N'utilisez pas l'appareil sans filtre à huile. Ne retirez pas les filtres lorsque l'appareil est en marche. Autrement l'huile peut compromettre les performances de l'appareil et la sécurité des branchements électriques.
- Ne créez pas de flamme vive sous l'appareil. Autrement, l'huile retenue par le filtre à huile peut prendre feu, ce qui pourrait causer un incendie.
- Éteignez le four avant de retirer les casseroles, poêles, etc. des fours. Autrement, les performances de l'appareil peuvent être compromises par les flammes et la chaleur croissante.
- Évitez de placer des objets combustibles ou susceptibles de tomber sur la hotte. Autrement, ces objets pourraient tomber sur la hotte, brûler ou tomber dans celle-ci et heurter l'utilisateur.
- Ne gardez pas de matériaux facilement inflammables sous votre hotte.
- (À l'exception des denrées qui renvoient de l'air vicié dans la pièce) Le pièce doit être ventilée lorsque la hotte est utilisée à proximité de brûleurs à gaz ou à combustible liquide.
- La cheminée des appareils tels que les radiateurs fonctionnant au gaz ou au combustible liquide doit être entièrement isolé dans l'environnement d'utilisation de la haute, ou ces appareils doivent être de type hermétique.
- Si un autre appareil fonctionnant avec une énergie autre qu'électrique se trouve dans le même environnement avec ventilation, la pression négative dans la pièce doit être au maximum de 0,04 mbar afin que les gaz d'échappement de l'autre appareil ne soient pas aspirés dans la pièce par la ventilation.
- Évitez d'accrocher des matériaux inflammables sur les poignées de la hotte lorsque celle-ci en a.

- Il ne doit pas y avoir de feu ouvert sous le capot. (par exemple : flambé)
- **Mise en garde** : Les parties accessibles peuvent chauffer lorsqu'elles sont utilisées avec une cuisinière.
- Il est recommandé de nettoyer le filtre une fois par mois dans des conditions normales d'utilisation. Sinon, l'huile accumulée dans le filtre peut prendre feu, ce qui constitue une situation dangereuse.

## 1.7 Sécurité relative à l'entretien et au nettoyage



- La graisse accumulée dans la hotte et le filtre à huile doit être nettoyée à intervalles réguliers. Autrement, un incendie pourrait survenir !
- Ne lavez jamais l'appareil par pulvérisation ou aspersion d'eau ! Il existe un risque d'électrocution !
- N'utilisez pas de nettoyeur vapeur pour nettoyer l'appareil, car il peut provoquer un choc électrique.

## 2 Instructions relatives à l'environnement

### 2.1 Directive sur les déchets

#### 2.1.1 Conformité avec la directive DEEE et élimination des déchets

Cet appareil est conforme à la directive DEEE de l'Union européenne (2012/19/UE). Le produit possède un symbole de classification attribué aux déchets d'équipements électriques et électroniques (DEEE).



Ce produit a été fabriqué avec des pièces et matériaux de qualité supérieure, réutilisables et adaptés au recyclage. Par conséquent, ne le mettez pas au rebut avec les ordures ménagères et d'autres déchets à la fin de sa durée de vie. Rendez-vous dans un point de collecte pour le recyclage de tout matériel électrique et électronique. Vous pouvez demander à votre administration locale quels

sont ces points de collecte. L'élimination correcte de l'appareil permet d'éviter les conséquences négatives pour l'environnement et la santé humaine.

#### Conformité avec la directive RoHS :

Votre appareil est conforme à la directive RoHS de l'Union européenne (2011/65/UE). Il ne comporte pas de matériaux dangereux et interdits mentionnés dans la directive.

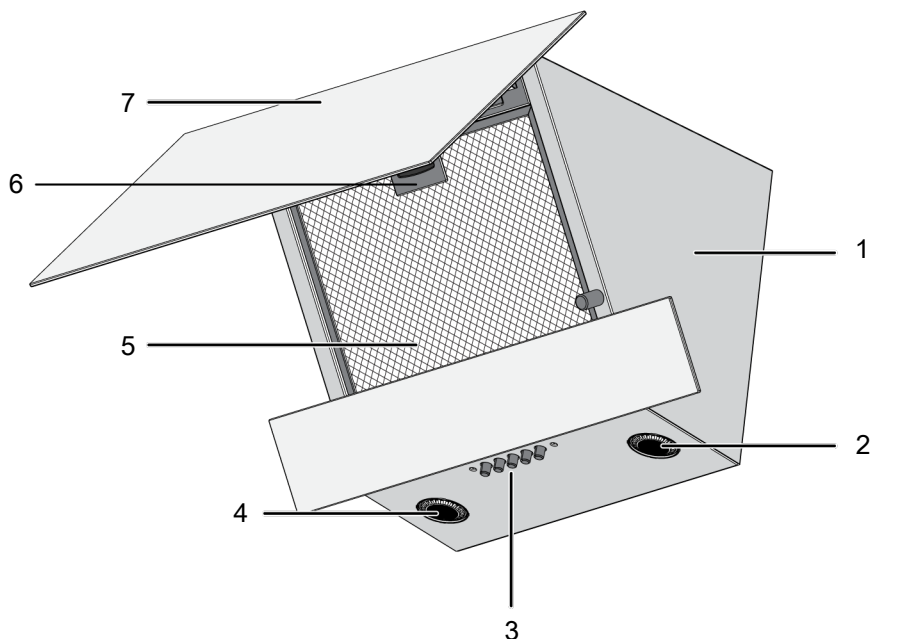
### 2.2 Informations sur l'emballage

Les matériaux d'emballage de cet appareil sont fabriqués à partir de matériaux recyclables, conformément à nos réglementations nationales en matière d'environnement. Ne jetez pas les déchets d'emballage avec les déchets ménagers ou autres, apportez-les aux points de collecte des matériaux d'emballage désignés par les autorités locales.

## 3 Votre appareil

### 3.1 Présentation de l'appareil

FR



1 Corps de la hotte

3 Panneau de commande

5 Filtre en aluminium

7 Couvercle en verre de la hotte

2 Lampe

4 Lampe

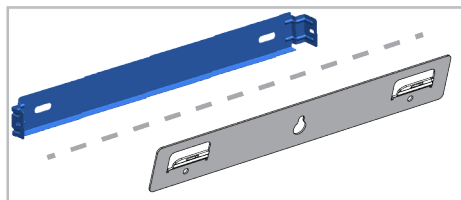
6 Verrouillage du filtre en aluminium

\* En fonction du modèle. Il se peut qu'il ne soit pas disponible pour votre appareil.

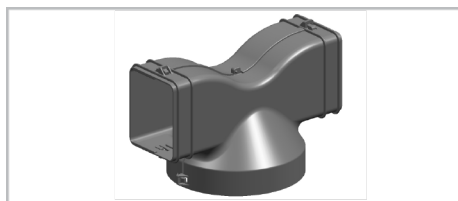
### 3.2 Accessoires de l'appareil

Selon le modèle de l'appareil, l'accessoire fourni varie. Tous les accessoires décrits dans le manuel d'utilisation peuvent ne pas être disponibles dans votre appareil.

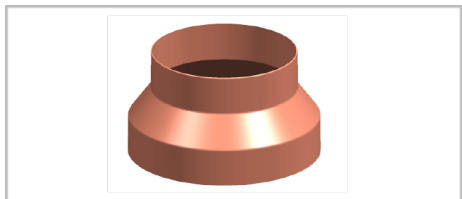
#### Pièce de fixation murale



#### Routeur aérien

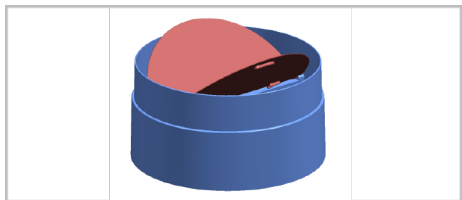


**Adaptateur de raccordement au conduit de fumée**



FR

**Protections pour empêcher l'inversion du flux d'air**





### 3.3 Spécifications techniques

Dimension externe de l'appareil (hauteur/largeur/profondeur)(mm)	min. 910 - max. 1138 /595 /396
Tension/fréquence	220-240 V ~1N; 50 Hz
Consommation totale d'énergie	max. 155 W
Puissance d'aspiration	400 m3/h
Diamètre du tuyau de sortie d'air	120-150 mm

FR



Les spécifications techniques peuvent être modifiées sans préavis afin d'améliorer la qualité de l'appareil.



Les illustrations présentées dans ce manuel sont schématiques et peuvent ne pas correspondre exactement à votre appareil.



Les valeurs indiquées sur les étiquettes de l'appareil ou dans la documentation accompagnant l'appareil sont obtenues dans des conditions de laboratoire, en conformité avec les normes applicables. Ces valeurs peuvent varier en fonction des conditions d'utilisation et l'environnement de l'appareil.

## 4 Première utilisation

Avant de commencer à utiliser votre appareil, il est recommandé de suivre les étapes décrites dans les sections suivantes :

### 4.1 Premier nettoyage

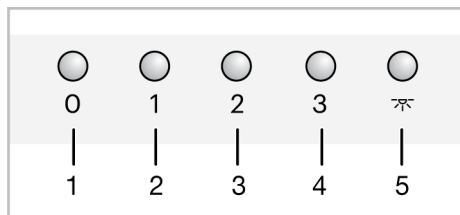
1. Retirez tous les emballages.
2. Essuyez les surfaces du produit avec un chiffon ou une éponge humide et séchez-les avec un chiffon.

**REMARQUE** : Certains détergents ou agents de nettoyage peuvent endommager la surface. N'utilisez pas de détergents

## 5 Utilisation de la hotte

La hotte est équipée d'un moteur à plusieurs vitesses. Pour une bonne performance, nous recommandons d'utiliser des vitesses faibles dans des conditions normales et des vitesses élevées en cas de forte odeur et de condensation de la vapeur.

### MODÈLE A



- 1 Bouton d'arrêt
- 2 Bouton de vitesse 1
- 3 Bouton de vitesse 2
- 4 Bouton de vitesse 3
- 5 Bouton de la lampe

abrasifs, de poudres de nettoyage, de crèmes de nettoyage ou d'objets pointus pendant le nettoyage.

**REMARQUE** : Lors de la première utilisation, de la fumée et des odeurs peuvent se dégager pendant plusieurs heures. C'est normal et vous avez juste besoin d'une bonne ventilation pour l'éliminer. Évitez d'inhaler directement la fumée et les odeurs qui se forment.

### Utilisation de la hotte

1. Appuyez sur le bouton du niveau de vitesse que vous avez sélectionné pour faire fonctionner la hotte.
  - ⇒ La hotte commence à fonctionner au niveau de vitesse réglé.
2. Vous pouvez appuyer sur les autres boutons de niveau de vitesse pour modifier le niveau de vitesse.

### Désactivation de la hotte

1. Lorsque votre hotte est utilisée à n'importe quel niveau, appuyez sur le bouton d'arrêt.

### Utilisation de la lampe

1. Appuyez sur la touche pour faire fonctionner la lampe,
  - ⇒ La lampe de la hotte s'allume.

### Activation de la Lampe

1. Vous pouvez éteindre la lampe de la hotte en appuyant à nouveau sur le bouton.

## 6 Entretien et nettoyage

### 6.1 Consignes de nettoyage générales

#### Avertissements généraux

- Attendez que l'appareil refroidisse avant de le nettoyer. Les surfaces chaudes peuvent causer des brûlures !

- N'appliquez pas les détergents directement sur les surfaces chaudes. Ils peuvent provoquer des taches permanentes.

- L'appareil doit être soigneusement nettoyé et séché après chaque utilisation. Ainsi, les résidus alimentaires sont faciles à nettoyer et ces résidus ne brûlent pas lorsque l'appareil est réutilisé ultérieurement. Ainsi, la durée de vie de l'appareil est prolongée et les problèmes fréquemment rencontrés sont réduits.
- N'utilisez pas de produits de nettoyage à vapeur pour le nettoyage.
- Certains détergents ou agents de nettoyage endommagent la surface. Les produits de nettoyage inadaptés sont : l'eau de Javel, les produits de nettoyage contenant de l'ammoniac, de l'acide ou du chlorure, les produits de nettoyage à vapeur, les détartrants, les détachants et les antirouilles, les produits de nettoyage abrasifs (crèmes nettoyantes, poudre à récurer, crème à récurer, épurateur abrasif et grattant, fil de fer, éponges, torchons de nettoyage contenant de la saleté et des résidus de détergent).
- Aucun produit de nettoyage spécial n'est nécessaire lors du nettoyage effectué après chaque utilisation. Nettoyez l'appareil à l'aide d'un détergent pour lave-vaisselle, d'eau chaude et d'un chiffon doux ou d'une éponge, puis séchez-le avec un chiffon sec. Nettoyez l'appareil à l'aide d'un détergent à vaisselle, d'eau chaude et d'un chiffon doux ou d'une éponge et séchez-le à l'aide d'un chiffon sec.
- Assurez-vous d'essuyer complètement tout le liquide restant après le nettoyage et nettoyez immédiatement toute éclaboussure d'aliments pendant la cuisson.
- Ne lavez aucun composant de votre appareil au lave-vaisselle, sauf indication contraire dans le manuel d'utilisation.
- La surface en acier inoxydable ou en inox peut changer de couleur avec le temps. C'est normal. Après chaque opération, nettoyez avec un détergent adapté à la surface en acier inoxydable ou en inox.
- Nettoyez à l'aide d'un chiffon doux savonneux et d'un détergent liquide (non abrasif) adapté à la surface en inox, en prenant soin d'essuyer dans un sens.
- Éliminez immédiatement et sans attendre les taches de calcaire, d'huile, d'amidon, de lait et de protéines sur les surfaces en verre et en inox. À la longue, les taches peuvent causer la rouille.
- Les nettoyants pulvérisés/appliqués sur la surface doivent être nettoyés immédiatement. Les nettoyants abrasifs qui restent sur la surface la font blanchir.

### Surfaces en verre

- Lorsque vous nettoyez des surfaces en verre, n'utilisez pas de grattoirs métalliques durs ni de produits de nettoyage abrasifs. Ils peuvent endommager la surface en verre.
- Nettoyez l'appareil à l'aide d'un détergent à vaisselle, d'eau chaude et d'un chiffon en microfibrilles spécifique pour les surfaces en verre et séchez-le à l'aide d'un chiffon sec en microfibrilles.
- Si des résidus de détergent restent après le nettoyage, nettoyez-les avec de l'eau froide et séchez à l'aide d'un chiffon en microfibrilles sec et propre. Les résidus de détergent peuvent endommager la surface du verre la prochaine fois.
- Les résidus séchés sur la surface du verre ne doivent en aucun cas être nettoyés avec des couteaux dentelés, du fil laine métallique ou des outils de grattage similaires.
- Vous pouvez éliminer les taches de calcium (taches jaunes) sur la surface du verre à l'aide d'un agent de détartrage disponible sur le marché, tel que le vinaigre ou le jus de citron.
- Si la surface est très sale, appliquez le produit de nettoyage sur la tache à l'aide d'une éponge et patientez longtemps

### Inox - surfaces inoxydables

- N'utilisez pas d'agents de nettoyage contenant de l'acide ou du chlore pour nettoyer les surfaces et les poignées en acier inoxydable ou en inox.

qu'il agisse correctement. Nettoyez ensuite la surface en verre à l'aide d'un chiffon humide.

- Les décolorations et les taches sur la surface en verre sont normales et ne présentent pas de défauts.

### Pièces en plastique et surfaces peintes

- Nettoyez les pièces en plastiques et les surfaces peintes à l'aide d'un détergent à vaisselle, d'eau chaude et d'un chiffon doux ou d'une éponge et séchez-les à l'aide d'un chiffon sec.
- N'utilisez pas de grattoirs métalliques durs ni de produits de nettoyage abrasifs. Ils peuvent endommager les surfaces.
- Assurez-vous que les joints des composants de l'appareil ne sont pas laissés humides et avec du détergent. Autrement, ces joints risquent de se corroder

## 6.2 Nettoyage du panneau de commande

- Lors du nettoyage des panneaux et du bouton de commande, essuyez le panneau et les boutons à l'aide d'un chiffon doux humide et séchez-les à l'aide d'un chiffon sec. Ne retirez pas les boutons et les joints en dessous pour nettoyer le panneau. Le panneau de commande et les boutons peuvent être endommagés.
- Lors du nettoyage des panneaux en inox et du bouton de commande, n'utilisez pas d'agents de nettoyage pour inox autour du bouton. Les indicateurs situés autour du bouton peuvent être effacés.
- Nettoyez les panneaux de commande tactiles à l'aide d'un chiffon doux humide et séchez-les à l'aide d'un chiffon sec. Si votre produit est doté d'une fonction de verrouillage des touches, réglez le verrouillage des touches avant de procéder au nettoyage du panneau de commande. Dans le cas contraire, une détection incorrecte peut se produire sur les touches.

## 6.3 Filtre en aluminium

Ce filtre capte les particules d'huile présentes dans l'air. **Il est recommandé de nettoyer le filtre une fois par mois dans des conditions normales d'utilisation.**

Pour y parvenir :

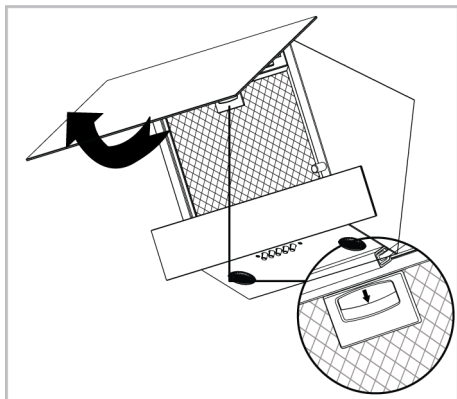
1. Retirez les filtres en aluminium.
2. Lavez les filtres dans l'eau avec un détergent liquide et réinstallez-les après séchage.

Les filtres en aluminium peuvent changer de couleur au cours du lavage ; ceci est normal et ne nécessite pas de remplacer vos filtres.

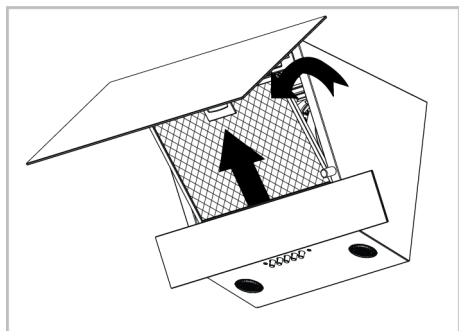
**i** Vous pouvez également laver le filtre en aluminium dans le lave-vaisselle. (max. 70 °C)

### Retrait des filtres en aluminium

1. Ouvrez le couvercle de la hotte vers le haut et tirez le verrou du filtre en aluminium vers le bas comme indiqué sur le schéma.



2. En premier, tirez doucement le filtre vers vous puis vers le haut pour le retirer de son emplacement.



3. Réinstallez le filtre en aluminium dans son emplacement après le rinçage en suivant les étapes ci-dessus en sens inverse.

## 6.4 Filtre à charbon (utilisation sans conduit de fumée)

### Avertissements généraux

- Si vous avez installé votre appareil sans conduit de fumée, vous devez remplacer vos filtres à charbon tous les 4 mois en utilisation normale. Vous pouvez vous procurer le filtre à charbon auprès des services agréés.
- Le filtre à charbon ne doit jamais être lavé.
- Si vous ne respectez pas les règles de nettoyage et de remplacement des filtres de votre hotte, vous risquez de provoquer un incendie.



Lorsque vous l'utilisez avec des filtres à charbon, le niveau du bruit augmente et le débit diminue.

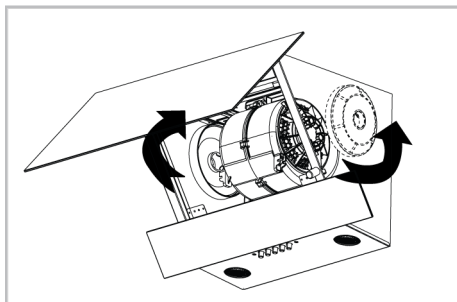
### Démontage des filtres à charbon

1. Ouvrez le couvercle en verre de la hotte et retirez le filtre en aluminium.

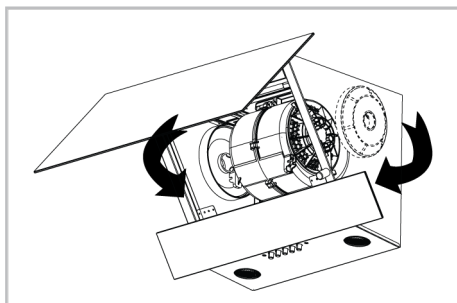
## 7 Dépannage

Si le problème persiste même après observation des instructions contenues dans cette partie, contactez votre fournisseur ou un service de maintenance agréé. N'essayez jamais de réparer votre appareil par vous-même.

2. Dévissez les filtres à charbon situés à droite et à gauche du support du moteur.



3. Placez les encoches de vos nouveaux filtres à charbon dans les encoches du support du moteur et tournez-les dans le sens des aiguilles d'une montre pour les mettre en place.



4. Fermez le couvercle de la vitre de la hotte après avoir installé le filtre en aluminium.

## 6.5 Lampe de la hotte

En cas de dysfonctionnement de la lampe dans la hotte, contactez votre revendeur local ou le service clientèle, et veillez à ce que la lampe soit remplacée.

### L'appareil ne fonctionne pas.

- Le fusible peut être défaillant ou grillé.  
>>> Vérifiez les fusibles dans la boîte à fusibles. Remplacez-les si nécessaire ou remettez-les en marche.

- Le produit n'est peut-être pas branché. >>> Vérifiez si le produit est branché à la prise ou non.
- Le bouton de vitesse peut ne pas être réglé. >>> Appuyez/touchez le bouton de vitesse souhaité.
- Il se peut qu'il n'y ait pas d'électricité. >>> Vérifiez que le réseau électrique est opérationnel et vérifiez les fusibles dans la boîte à fusibles. Changez les fusibles si nécessaire ou réactivez-les.

**Le voyant de la hotte n'est pas allumé.**

- La lampe de la hotte est peut-être défectueuse. >>> Contactez le revendeur local où vous avez acheté votre appareil ou le service clientèle, et veillez à ce que la lampe soit remplacée.
- Il se peut qu'il n'y ait pas d'électricité. >>> Vérifiez que le réseau électrique est opérationnel et vérifiez les fusibles dans la boîte à fusibles. Changez les fusibles si nécessaire ou réactivez-les.





## ¡Bienvenido!

---

Estimado cliente,

Gracias por elegir el producto Beko . Queremos que el aparato, fabricado con alta calidad y tecnología, le ofrezca la mejor eficiencia. Para ello, lea atentamente este manual y cualquier otra documentación proporcionada antes de utilizar el producto.

Preste atención a todas las informaciones y advertencias del manual de usuario. De esta manera, se protegerá a sí mismo y a el aparato contra los peligros que puedan ocurrir.

Guarde el manual de instrucciones. Si le da el aparato a otra persona, entregue el manual con él. En este manual se indican las condiciones de garantía, el uso y los métodos de resolución de problemas de su producto.

### Los símbolos y sus descripciones utilizados el manual del usuario:



Peligro que puede provocar la muerte o lesiones.



Información importante o consejos de uso útiles.



Lea el manual de usuario.



Superficie caliente.

**AVISO**

Peligro que puede provocar daños materiales al aparato o a su entorno.

**Arçelik A.Ş.**

Karaağaç caddesi No:2-6  
34445 Sütlüce/Istanbul/TURKEY

Made in TURKEY



## Tabla de contenidos

<b>1</b>	<b>Instrucciones de Seguridad.....</b>	<b>58</b>
1.1	Uso Previsto.....	58
1.2	Seguridad de niños, personas vulnerables y mascotas .....	58
1.3	Seguridad Eléctrica .....	59
1.4	Seguridad en Transporte .....	61
1.5	Seguridad en la instalación.....	61
1.6	Seguridad de uso.....	62
1.7	Mantenimiento y limpieza Seguridad.....	64
<b>2</b>	<b>Instrucciones medioambientales</b>	<b>64</b>
2.1	Directiva de Residuos.....	64
2.1.1	Cumplimiento de Directiva WEEE y eliminación del producto de desecho .....	64
2.2	Información de Embalaje.....	64
<b>3</b>	<b>Su aparato .....</b>	<b>65</b>
3.1	Información de Producto .....	65
3.2	Accesorios del Producto.....	65
3.3	Especificaciones Técnicas .....	67
<b>4</b>	<b>Primer uso .....</b>	<b>68</b>
4.1	Limpieza inicial .....	68
<b>5</b>	<b>Uso de la campana .....</b>	<b>68</b>
<b>6</b>	<b>Mantenimiento y limpieza .....</b>	<b>68</b>
6.1	Información General de Limpieza	68
6.2	Limpieza del panel de control.....	70
6.3	Filtro de Aluminio .....	70
6.4	Filtro de carbón (uso sin chimenea) .....	70
6.5	Lámpara de Campana.....	71
<b>7</b>	<b>Solución de problemas .....</b>	<b>71</b>

## 1 Instrucciones de Seguridad

- Esta sección incluye las instrucciones de seguridad necesarias para evitar el riesgo de lesiones personales o daños materiales.
- En caso de entregar el producto a otra persona para su uso personal o vender de segunda mano, también se debe entregar el manual de usuario, las etiquetas del producto y otros documentos y piezas relevantes.
- Nuestra empresa no asumirá ninguna responsabilidad por los daños que puedan producirse por el incumplimiento de estas instrucciones.
- El incumplimiento de estas instrucciones anulará cualquier garantía.
- Los trabajos de instalación y reparación deben ser realizados siempre por el fabricante, el servicio técnico autorizado o una persona que la empresa importadora designe.
- Utilice únicamente repuestos y accesorios originales.
- No repare ni sustituya ningún componente del producto a menos que esté expresamente indicado en el manual del usuario.

- No realice modificaciones técnicas en el producto.

### 1.1 Uso Previsto

- Este producto está diseñado para ser utilizado en casa. No es adecuado para uso comercial.
- No utilice el producto en jardines, balcones u otros lugares al aire libre. Este producto está pensado para ser utilizado en los hogares y en las cocinas del personal de tiendas, oficinas y otros entornos laborales.

### 1.2 Seguridad de niños, personas vulnerables y mascotas

- Este aparato puede ser utilizado por niños de 8 años de edad y mayores, y por personas discapacidades físicas, sensoriales o mentales, o que carezcan de experiencia y conocimientos, siempre que sean supervisados o entrenados sobre el uso seguro y los peligros del aparato.
- Los niños no deben jugar con el aparato. La limpieza y el mantenimiento del usuario no deben ser realizados por niños a menos que haya alguien que los supervise.

- Este aparato no debe ser utilizado por personas con capacidad física, sensorial o mental limitada (incluidos los niños), a menos que se les mantenga bajo supervisión o reciban las instrucciones necesarias.
- Los niños deben ser supervisados para asegurar que no jueguen con el aparato.
- Los aparatos eléctricos son peligrosos para niños y mascotas. Los niños y mascotas no deben jugar con el aparato.
- Mantenga los materiales de embalaje fuera del alcance de los niños. Existe un riesgo de lesiones y asfixia.
- Antes de desechar productos desgastados e inútiles:
  1. Retire y desconecte el enchufe de alimentación (si el producto está enchufado).
  2. Desconecte el cable de alimentación y separe el enchufe del producto.
  3. No permita que los niños jueguen con el producto cuando esté en modo inactivo.

### **1.3 Seguridad Eléctrica**

- Enchufe el aparato en una toma de corriente con conexión a tierra protegida por un fusible que coincida con los valores de corriente indicados en la etiqueta de tipo. Haga que la instalación de la toma de tierra sea hecha por un electricista calificado. No utilice el aparato sin conexión a tierra de acuerdo con las regulaciones locales / nacionales.
- El enchufe o la conexión eléctrica del aparato deberán estar en un lugar fácilmente accesible. Si esto no es posible, debe haber un mecanismo (fusible, interruptor, llave de contacto, etc.) en la instalación eléctrica a la que está conectado el producto, que cumpla con la normativa eléctrica y que separe todos los polos de la red.
- Antes de proceder a la reparación, mantenimiento y limpieza, desenchufe el producto o desconecte el fusible.
- Enchufe el aparato en una toma de corriente que cumpla con los valores de voltaje y frecuencia especificados en la etiqueta de tipo.
- (En caso de no disponer de cable de alimentación) utilice únicamente el cable de conexión descrito en el apartado "Especificaciones técnicas".
- No enchufe su campana hasta que esté instalada.
- No atasque el cable eléctrico debajo y detrás del producto. No ponga un objeto pesado sobre el cable de alimentación.

El cable de alimentación no debe doblarse, aplastarse ni entrar en contacto con ninguna fuente de calor.

- No instale el cable de electricidad cerca de los calentadores. El cable podría fundirse y provocar un incendio.
- Asegúrese de que el cable de alimentación no se atasque mientras coloca el aparato en su lugar después del montaje o la limpieza.
- No enchufe su campana hasta que esté instalada.
- Utilice sólo el cable original. No utilice cables cortados o dañados.
- No utilice un cable de extensión o un enchufe múltiple para hacer funcionar su producto.
- En los casos en que sea necesario el uso de un adaptador convertidor (para tipo de enchufe), póngase en contacto con el centro de servicio autorizado o con el importador para utilizar el adaptador homologado.
- Si la longitud de la línea de alimentación es inadecuada, póngase en contacto con el importador o con el centro de servicio autorizado.

- Las fuentes de alimentación portátiles o los enchufes múltiples pueden sobrecalentarse e incendiarse. Mantenga alejados del producto enchufes múltiples y fuentes de alimentación portátiles.

- Si el cable de alimentación está dañado, debe ser sustituido por el fabricante, por un servicio técnico autorizado o por una persona que indique la empresa importadora, para evitar posibles peligros.

- Si su producto tiene enchufe, no realice las conexiones eléctricas desconectando el enchufe durante la instalación.

Las conexiones realizadas por corte anulan la garantía del producto y representan un peligro para la seguridad del usuario.

Si su producto tiene un cable de alimentación y un enchufe:

- Nunca enchufe el producto en una toma rota, suelta o desconectada. Asegúrese de que el enchufe esté totalmente introducido en la toma. En caso contrario, las conexiones podrían sobrecalentarse y provocar un incendio.

- Evite insertar el aparato en enchufes con grasa, sucios o potencialmente expuestos al agua (como los que están cer-

ca de una encimera por la que pueda filtrarse agua). En caso contrario, existe riesgo de cortocircuito y electrocución.

- No tocar nunca el enchufe con las manos húmedas.
- Extraiga el enchufe de la toma utilizando el cuerpo del enchufe y no tire de su cable.

#### **1.4 Seguridad en Transporte**

- Desconecte el aparato de la red eléctrica antes de transportarlo.
- El aparato es pesado, cargue el aparato con al menos dos personas.
- No ponga objetos sobre el aparato. Transporte el aparato en posición vertical.
- Cuando necesite transportar el aparato, envuélvalo con material de embalaje de plástico de burbujas o cartón grueso y péguelo con cinta adhesiva. Fije bien las piezas móviles del producto para evitar daños.
- Antes de instalar el aparato, compruebe que no esté dañado durante el transporte. Si está dañado póngase en contacto con el importador o el servicio técnico autorizado.

#### **1.5 Seguridad en la instalación**

- A fin de que su producto esté listo para su uso, primero indique el lugar de instalación y haga la instalación eléctrica. Los trabajos de instalación deben ser realizados siempre por el fabricante, el servicio técnico autorizado o una persona que la empresa importadora designe.
- A fin de que su producto esté listo para su uso, primero indique el lugar de instalación y haga la instalación eléctrica. Después, llame al Servicio Autorizado para que realice la instalación. Tras la instalación por el servicio autorizado, empieza el periodo de garantía.
- Antes de iniciar la instalación, desconecte la tensión de la línea eléctrica a la que se conectará el producto cerrando el fusible.
- Durante el transporte y la instalación siempre utilice guantes protectores. En caso contrario, ¡existe riesgo de lesiones por bordes afilados!
- Antes de instalar el aparato, compruebe que no esté dañado. No lo haga instalar si el producto está dañado.

- Evite utilizar materiales aislantes del calor para recubrir el interior de los muebles que se vayan a instalar.
- La luz solar directa y las fuentes de calor, tales como calefacciones eléctricas o de gas, no deben estar presentes en la zona donde se instale el producto.
- Si existe una toma de corriente detrás del lugar donde se va a instalar el producto, es necesario asegurarse de que el producto no entre en contacto con la toma ni con el enchufe conectado a la toma.
- En caso de uso con conexiones de chimenea, solicite a personal cualificado que evalúe la idoneidad de la chimenea a la que se conectará el producto.
- La altura entre la superficie inferior de su campana y la superficie superior del horno no debe ser inferior a 650 mm para los hornos de gas y 500 mm para los hornos eléctricos. En caso contrario, su producto podría verse afectado por el calor o por las llamas de la placa de cocción y causar un riesgo de seguridad.
- Nunca conecte la campana a conductos de humos que sirvan de calefactor de llama o calefactores que emitan llamas. Respete la normativa local sobre la purga del flujo de salida.
- Al conectar un conducto de humos a su producto, utilice tubos con un diámetro de 120 mm. La conexión de los tubos ha de ser lo más corta posible y con pocas curvas.



## 1.6 Seguridad de uso

- **¡Peligro de Envenenamiento!** Durante el funcionamiento del aparato, el aire se extrae de toda la casa. En caso de no disponer de una ventilación adecuada, se produce una circulación de aire y se reabsorben los residuos y los gases tóxicos liberados como resultado de la combustión en la casa. No utilice el producto junto con productos que proporcionen circulación de aire y puedan emitir gases tóxicos (estufas de leña, gas, aceite y carbón, calderas, calentadores de agua, etc.).
- Asegúrese de apagar el aparato después de cada uso.
- No utilice el producto si se rompe o estropea durante su uso. Desconecte el aparato de la electricidad. Póngase en

- contacto con el importador o el centro de servicio autorizado.
- Después de un funcionamiento prolongado de la campana, no toque las lámparas de la misma. Las lámparas calientes pueden quemar su mano.
  - No haga funcionar el aparato sin un filtro de aceite. No quite los filtros mientras el aparato esté en funcionamiento. En caso contrario, el aceite podría afectar negativamente al producto y a las conexiones eléctricas.
  - No provoque una llama alta debajo del producto. En caso contrario, el aceite en filtro de aceite puede inflamarse, provocando un incendio.
  - Apague el horno antes de sacar las ollas, sartenes, etc. de los hornos. En caso contrario, su producto podría resultar dañado por las llamas y el calor creciente.
  - Nunca ponga sobre la campana objetos combustibles o propensos a caerse. En caso contrario, podrían caer y correr el riesgo de quemadura o caerse en la comida y herir al usuario,
  - No guarde materiales fácilmente inflamables debajo de la campana.
  - (Excepto para los aparatos que devuelven el aire de escape a la sala) Es necesario que la sala esté bien ventilada si la campana se utiliza en la misma zona que un equipo de combustión de gas o combustible líquido.
  - La chimenea de aparatos tales como calefactores de ambiente que funcionen con gas o combustible líquido debe estar totalmente aislada en el entorno donde se utilice la campana, o el aparato debe ser hermético.
  - Cuando haya otro aparato que funcione con energía distinta de la eléctrica en el mismo entorno que la campana, deberá haber una presión negativa en el local de 0,04 mbar como máximo, de modo que el escape del otro aparato no sea arrastrado por la campana hacia el interior del local.
  - Los materiales fácilmente inflamables y combustibles no deben colgarse de los mangos de la campana (si existen).
  - No debe haber fuego abierto bajo la campana. (por ejemplo: flameado)
  - **Precaución:** Las partes accesibles pueden calentarse cuando se utilizan con una cocina.

## 1.7 **Mantenimiento y limpieza Seguridad**

- Es necesario limpiar la grasa acumulada en la campana y el filtro de grasa en los intervalos especificados. En caso contrario, ¡existe riesgo de incendio!
- Se recomienda limpiar el filtro una vez al mes en condiciones normales de uso. Si no, la acu-

mulación de aceite en el filtro podría incendiarse y presentar un peligro.

- No lave nunca el aparato pulverizándolo o echándole agua. ¡Existe el riesgo de descarga eléctrica!
- No utilice limpiadores de vapor para limpiar el producto, ya que puede provocar una descarga eléctrica.

ES

## **2 Instrucciones medioambientales**

### **2.1 Directiva de Residuos**

#### **2.1.1 Cumplimiento de Directiva WEEE y eliminación del producto de desecho**

Este producto cumple con la Directiva WEEE de UE (2012/19/UE). Este producto lleva el símbolo de clasificación de residuo de aparatos eléctricos y electrónicos (WEEE).



El presente producto ha sido fabricado con piezas y materiales de alta calidad que pueden ser reutilizados y son aptos para el reciclaje. Por lo que, al final de su vida útil, no elimine el producto con los residuos domésticos normales y otros residuos. Llévelo a un punto de recogida para el reciclaje de aparatos eléctricos y electrónicos. Puede consultar a

la administración local sobre estos puntos de recogida. Desechar el aparato correctamente ayuda a evitar consecuencias negativas para el medio ambiente y la salud humana.

#### **Cumplimiento de Directiva RoHS:**

El producto que ha adquirido cumple con la Directiva RoHS de UE (2011/65/UE). No contiene materiales nocivos y prohibidos especificados en la Directiva.

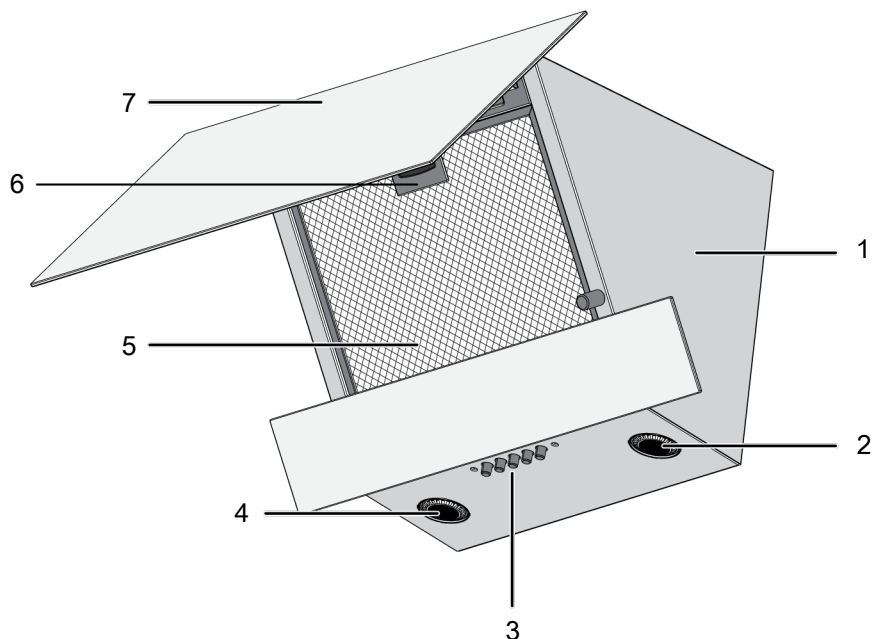
### **2.2 Información de Embalaje**

El embalaje del producto está fabricado con materiales reciclables de acuerdo con nuestra normativa medioambiental nacional. No elimine los residuos del embalaje con los residuos domésticos o de otro tipo, llévelos a los puntos de recogida de materiales de embalaje designados por las autoridades locales.



## 3 Su aparato

### 3.1 Información de Producto



1 Carcasa de campana

3 Panel de control

5 Filtro de aluminio

7 Tapa de vidrio de campana

2 Bombilla

4 Bombilla

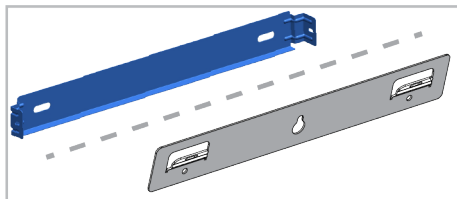
6 Bloqueo de filtro de aluminio

\* Dependiendo de modelo. Puede que no esté disponible en el aparato.

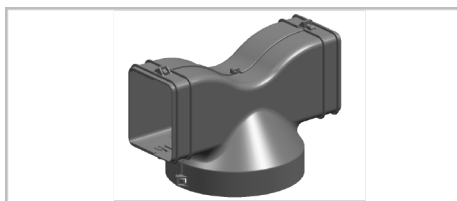
### 3.2 Accesorios del Producto

Dependiendo del modelo del aparato, el accesorio suministrado varía. Es posible que todos los accesorios descritos en manual del usuario no estén disponibles en el aparato.

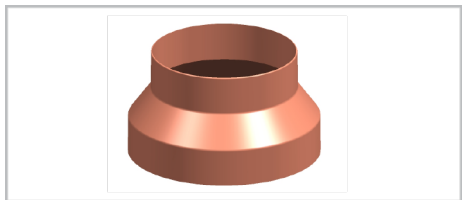
#### Pieza de montaje en pared



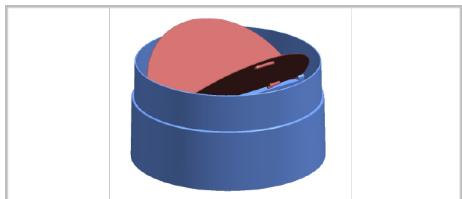
#### Enrutador de aire



## Adaptador de conexión de chimenea



## Cubiertas para evitar el flujo de aire inverso



### 3.3 Especificaciones Técnicas

Dimensiones externas del producto (altura/anchura/profundidad) (mm)	min. 910 - max. 1138 /595 /396
Tensión/Frecuencia	220-240 V ~1N; 50 Hz
Consumo total de energía	max. 155 W
Potencia de succión	400 m3/h
Diámetro de tubo de salida de aire	120-150 mm

ES



Las especificaciones técnicas pueden modificarse sin previo aviso para mejorar la calidad del aparato.



Las cifras de este manual son esquemáticas y pueden no coincidir exactamente con el aparato.



Los valores indicados en las etiquetas de los aparatos o en la documentación que los acompaña se obtienen en condiciones de laboratorio de acuerdo con las normas pertinentes. Estos valores pueden variar en función de las condiciones operativas y ambientales del aparato.

## 4 Primer uso

Antes de empezar a utilizar el producto, se recomienda hacer lo que se indica en los siguientes apartados respectivamente.

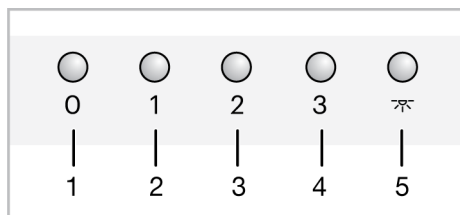
### 4.1 Limpieza inicial

1. Retire todos los materiales de embalaje.
2. Limpie las superficies del aparato con un paño o esponja húmedos y séquelas con un paño.

## 5 Uso de la campana

La campana dispone de un motor con varias velocidades. Es recomendable, para un buen funcionamiento, utilizar las velocidades bajas en condiciones normales y las velocidades altas en caso de olores fuertes y condensación de vapores.

### MODELO A



- 1 Botón de apagado
- 2 Botón de velocidad 1
- 3 Botón de velocidad 2
- 4 Botón de velocidad 3
- 5 Botón de lámpara

## 6 Mantenimiento y limpieza

### 6.1 Información General de Limpieza

#### Advertencias generales

- Espere a que el aparato se enfríe antes de limpiarlo. ¡Las superficies calientes pueden causar quemaduras!
- No aplique los detergentes directamente sobre las superficies calientes. Esto puede causar manchas permanentes.

**NOTICE:** Algunos detergentes o agentes de limpieza podrían provocar daño en la superficie. No utilice detergentes abrasivos, polvos de limpieza, cremas de limpieza ni objetos punzantes durante la limpieza.

**NOTICE:** Durante el primer uso, puede salir humo y olor durante varias horas. Esto es normal y sólo se necesita una buena ventilación para eliminarlo. Evite inhalar directamente el humo y los olores que se forman.

ES

### Uso de la campana

1. Pulse el botón del nivel de velocidad que haya seleccionado para hacer funcionar la campana.
  - ⇒ La campana empieza a funcionar en el nivel de velocidad ajustado.
2. Puede pulsar las otras teclas de nivel de velocidad para cambiar el nivel de velocidad.

### Apagado de campana

1. Cuando la campana esté funcionando en cualquier nivel, pulse el botón de apagado.

### Uso de la luz

1. Pulse el botón para hacer funcionar la luz.
  - ⇒ Ésta se encenderá.

### Apagado de la luz

1. Puede apagar la luz de la campana pulsando de nuevo el botón.

- El producto debe limpiarse y secarse a fondo después de cada operación. Así, los restos de comida se limpiarán fácilmente y se evitará que estos residuos se quemen cuando se vuelva a utilizar el producto más adelante. De este modo, se prolonga la vida útil del aparato y se reducen los problemas más frecuentes.
- No utilice aparatos de limpieza a vapor para la limpieza.

- Algunos detergentes o productos de limpieza dañan la superficie. Los productos de limpieza inadecuados son: lejía, productos de limpieza que contengan amoníaco, ácido o cloruro, productos de limpieza a vapor, desincrustantes, quitamanchas y óxido, productos de limpieza abrasivos (limpiadores en crema, polvo para fregar, crema para fregar, estropajo abrasivo y rascador, alambre, esponjas, paños de limpieza que contengan restos de suciedad y detergente).
- Se necesita ningún material de limpieza especial en la limpieza realizada después de cada uso. Limpie el aparato con detergente para platos, agua tibia y un paño suave o una esponja y séquelo con un paño seco.
- Asegúrese de limpiar completamente cualquier líquido restante después de la limpieza y limpie inmediatamente cualquier alimento que salpique durante la cocción.
- No lave ningún componente de su electrodoméstico en un lavavajillas a menos que se indique lo contrario en el manual del usuario.

### **Inox - superficies inoxidable**

- No utilice productos de limpieza que contengan ácido o cloro para limpiar las superficies y asas de acero inoxidable.
- La superficie de acero inoxidable puede cambiar de color con el tiempo. Esto es normal. Después de cada operación, limpie con un detergente adecuado para la superficie inoxidable o inox.
- Limpie con un paño suave y jabonoso y un detergente líquido (que no raye) adecuado para superficies inoxidables, teniendo cuidado de limpiar en una sola dirección.
- Elimine las manchas de cal, aceite, almidón, leche y proteínas en las superficies de vidrio e inox inmediatamente sin esperar. Las manchas pueden oxidarse durante largos períodos de tiempo.

- Los limpiadores rociados/aplicados a la superficie deben limpiarse inmediatamente. Los limpiadores abrasivos que se dejan en la superficie hacen que ésta se vuelva blanca.

### **Las superficies de vidrio**

- Cuando limpie las superficies de vidrio, no use raspadores de metal duro y materiales de limpieza abrasivos. Pueden dañar la superficie de vidrio.
- Limpie el aparato usando detergente para platos, agua tibia y un paño de microfibra específico para superficies de vidrio y séquelo con un paño de microfibra seco.
- Si hay restos de detergente después de la limpieza, límpielo con agua fría y séquelo con un paño de microfibra limpio y seco. Los restos de detergente pueden dañar la superficie del cristal la próxima vez.
- En ningún caso se deben limpiar los residuos secos de la superficie de cristal con cuchillos de sierra, lana metálica o utensilios similares para rascar.
- Puede eliminar las manchas de calcio (manchas amarillas) de la superficie del vidrio con un agente descalcificador disponible en el mercado, con un agente descalcificador como el vinagre o el jugo de limón.
- Si la superficie está muy sucia, aplique el producto de limpieza sobre la mancha con una esponja y espere mucho tiempo para que actúe correctamente. A continuación, limpie la superficie del vidrio con un paño húmedo.
- Las decoloraciones y manchas en la superficie del vidrio son normales y no defectos.

### **Las piezas de plástico y las superficies pintadas**

- Limpie las piezas de plástico y las superficies pintadas con detergente para vajilla, agua tibia y un paño suave o una esponja y séquelas con un paño seco.
- No utilice raspadores de metal duro ni limpiadores abrasivos. Pueden dañar las superficies.

- Asegúrese de que las juntas de los componentes del producto no queden húmedas y con detergente. De lo contrario, puede producirse corrosión en estas juntas.

## 6.2 Limpieza del panel de control

- Al limpiar los paneles con mando, limpie el panel y los mandos con un paño suave y húmedo y séquelos con un paño seco. No retire los pomos y las juntas de la parte inferior para limpiar el panel. El panel de control y los mandos pueden estar dañados.
- Durante la limpieza de los paneles inox con mando, no utilice productos de limpieza inox alrededor del mando. Los indicadores que rodean el mando se pueden borrar.
- Limpie los paneles de control táctil con un paño suave húmedo y séquelos con un paño seco. Si el aparato tiene una característica de bloqueo de llave, fije el bloqueo de llave antes de realizar la limpieza del panel de control. De lo contrario, puede producirse una detección incorrecta en las teclas.

## 6.3 Filtro de Aluminio

Este filtro sirve para retener las partículas de aceite en el aire. **Se recomienda limpiar el filtro una vez al mes en condiciones normales de uso.** Para ello:

1. Retire los filtros de aluminio.
2. Lave los filtros en agua con detergente líquido y vuelva a instalarlos después de secarlos.

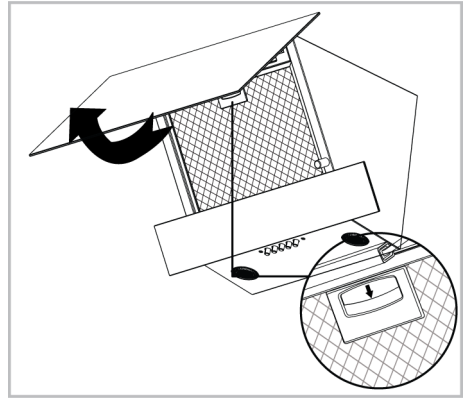
El color de los filtros de aluminio puede cambiar con el lavado; esto es normal y no requiere la sustitución de los filtros.



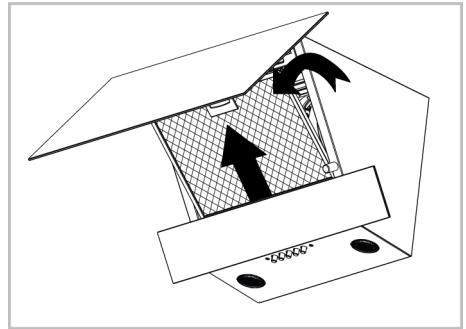
También puede lavar el filtro de aluminio en la lavadora. (máx. 70 °C)

### Extracción de filtros de aluminio

1. Abra la tapa de la campana hacia arriba y tire del cierre del filtro de aluminio hacia abajo como se indica en la figura



2. Primero tire suavemente del filtro hacia usted y tire de él hacia arriba para sacarlo de su ranura.



3. Reinstale el filtro de aluminio en su ranura tras el lavado siguiendo los pasos anteriores en sentido inverso.

## 6.4 Filtro de carbón (uso sin chimenea)

### Advertencias generales

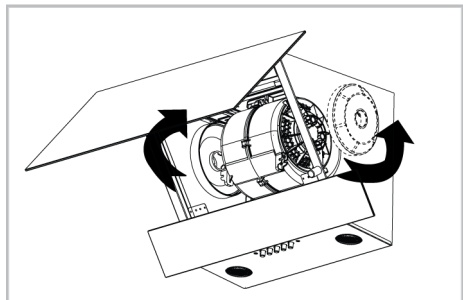
- Si ha instalado su producto sin chimenea, debe sustituir los filtros de carbón cada 4 meses en condiciones normales de uso. Puede obtener el filtro de carbón en los Servicios Autorizados.
- El filtro de carbón no debe lavarse nunca.
- Si no sigue las normas de limpieza y sustitución de los filtros de su campana, puede provocar un incendio.



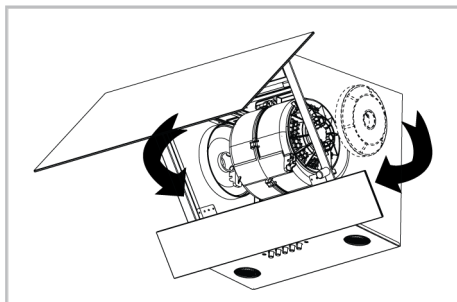
Si se utiliza con filtro de carbón, aumenta el nivel sonoro y disminuye el rendimiento del caudal.

## Extracción de los filtros de carbón

1. Abra la tapa de cristal de la campana y retire el filtro de aluminio.
2. Desenrosque los filtros de carbón situados a la derecha y a la izquierda del soporte del motor.



3. Coloque las ranuras de las lengüetas de los nuevos filtros de carbón en las lengüetas del soporte del motor y gírelas en el sentido de las agujas del reloj para encajarlas.



4. Cierre la tapa de cristal de la campana después de instalar el filtro de aluminio.

## 6.5 Lámpara de Campana

Póngase en contacto con su distribuidor local o con el Servicio de Atención al Cliente en caso de que la lámpara de la campana no funcione correctamente, y asegúrese de sustituirla.

## 7 Solución de problemas

En caso de que el problema persista después de seguir las instrucciones de esta sección, póngase en contacto con su proveedor o con un Servicio Técnico Autorizado. Nunca intente reparar su producto usted mismo.

### El producto no funciona.

- Es posible que el fusible esté defectuoso o fundido. >>> Revise los fusibles en la caja de fusibles. Si es necesario, cámbielos o reactívelos.
- Es posible que el producto no esté enchufado. >>> Compruebe si el producto está enchufado a la toma de corriente o no.
- Es posible que el botón de velocidad no esté ajustado. >>> Pulse/toque el botón de velocidad deseado.
- Es posible que no haya electricidad. >>> Asegúrese de que la red eléctrica está operativa y compruebe los fusibles en la caja de fusibles. Si es necesario, cambie los fusibles o reactívelos.

### La luz de la campana no está encendida.

- La luz de la campana puede estar defectuosa. >>> Póngase en contacto con el distribuidor local donde adquirió su producto o con el Servicio de Atención al Cliente, y asegúrese de que la bombilla sea sustituida.
- Es posible que no haya electricidad. >>> Asegúrese de que la red eléctrica está operativa y compruebe los fusibles en la caja de fusibles. Si es necesario, cambie los fusibles o reactívelos.

